

150

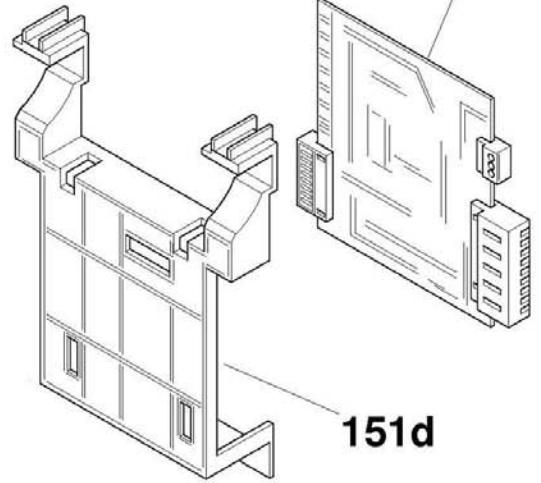
44

36

151 a-z

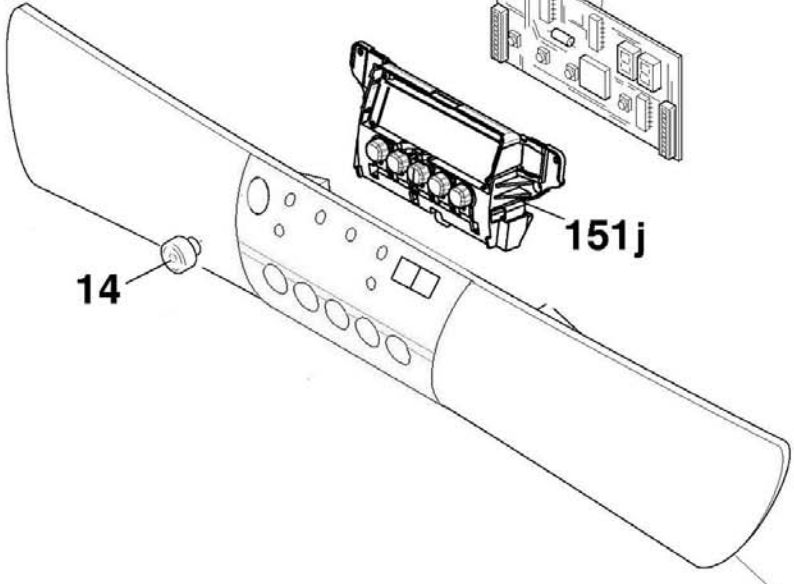
618-619

A small rectangular component (618-619) with a notch on one side.



151d

151f



14

151j

21

157

