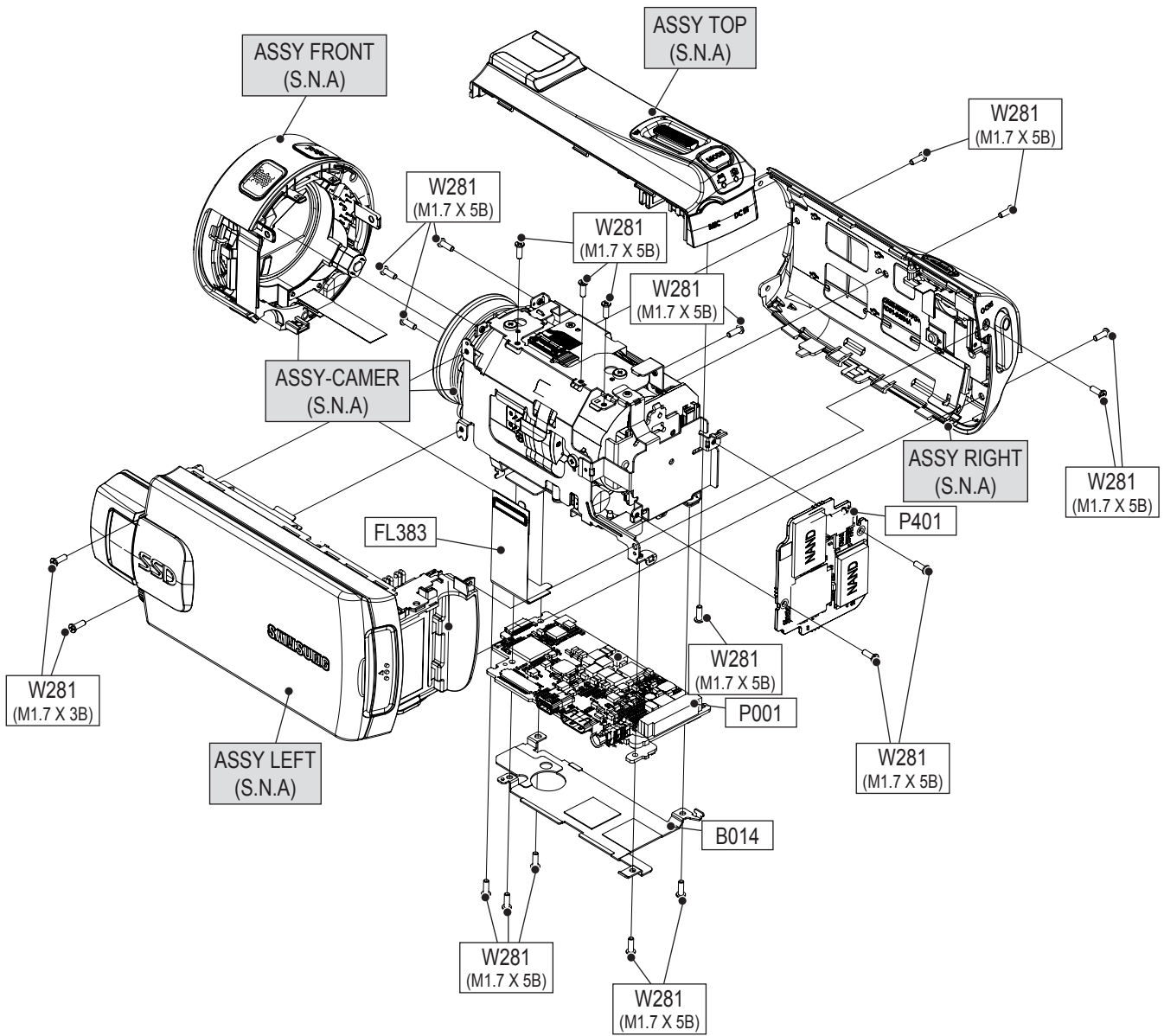

5. Exploded View and Parts List

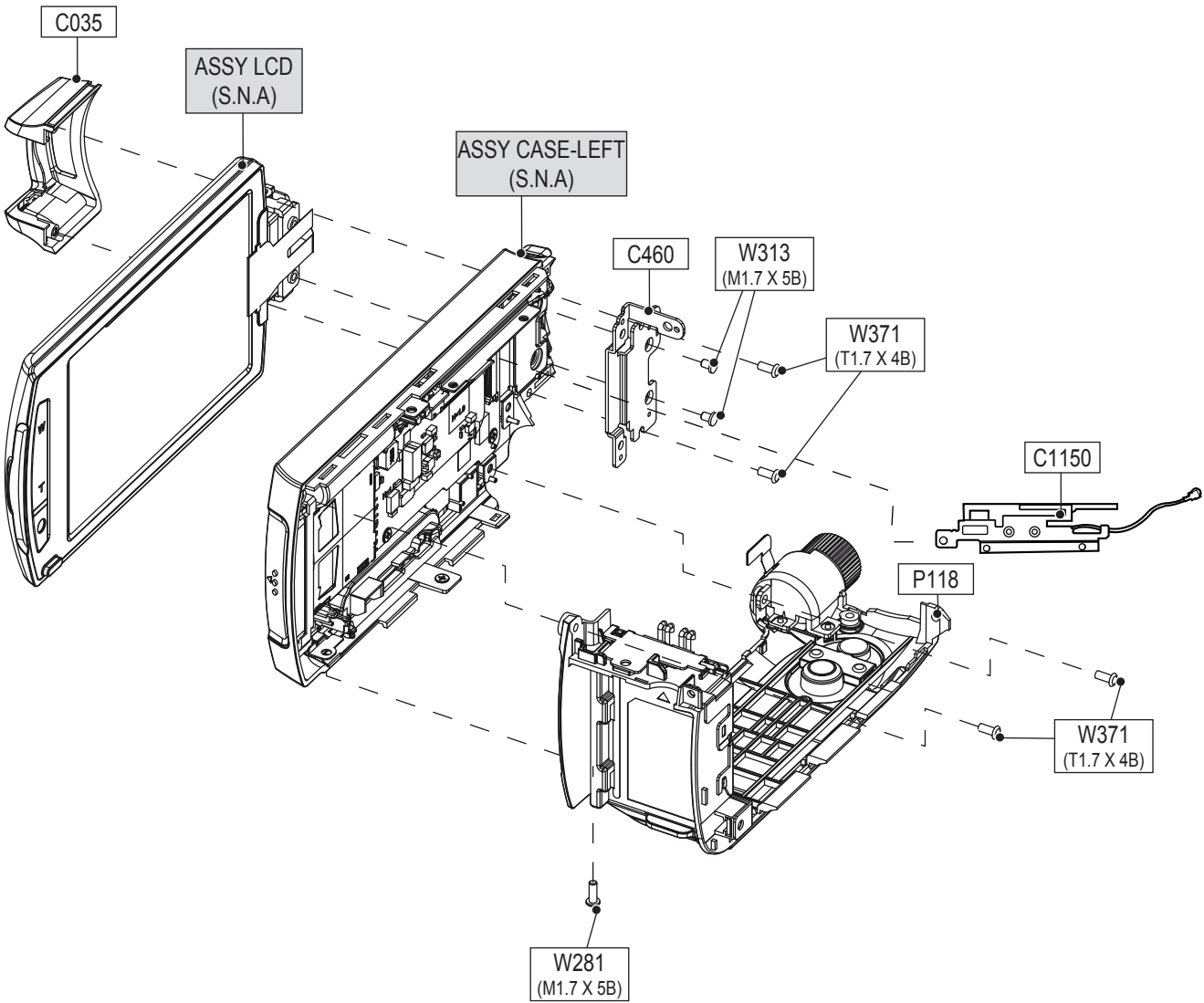
5-1 Assembly Chassis -----	5-2
5-2 Assembly Left -----	5-4
5-3 Assembly Right -----	5-6
5-4 Assembly case Left -----	5-8
5-5 Assembly LCD -----	5-10
5-6 Assembly Top -----	5-12
5-7 Assembly Camera -----	5-14
5-8 Assembly Front -----	5-16
5-9 Assembly Rear -----	5-18
5-10 Electrical Parts List -----	5-20

5-1 Assembly Chassis



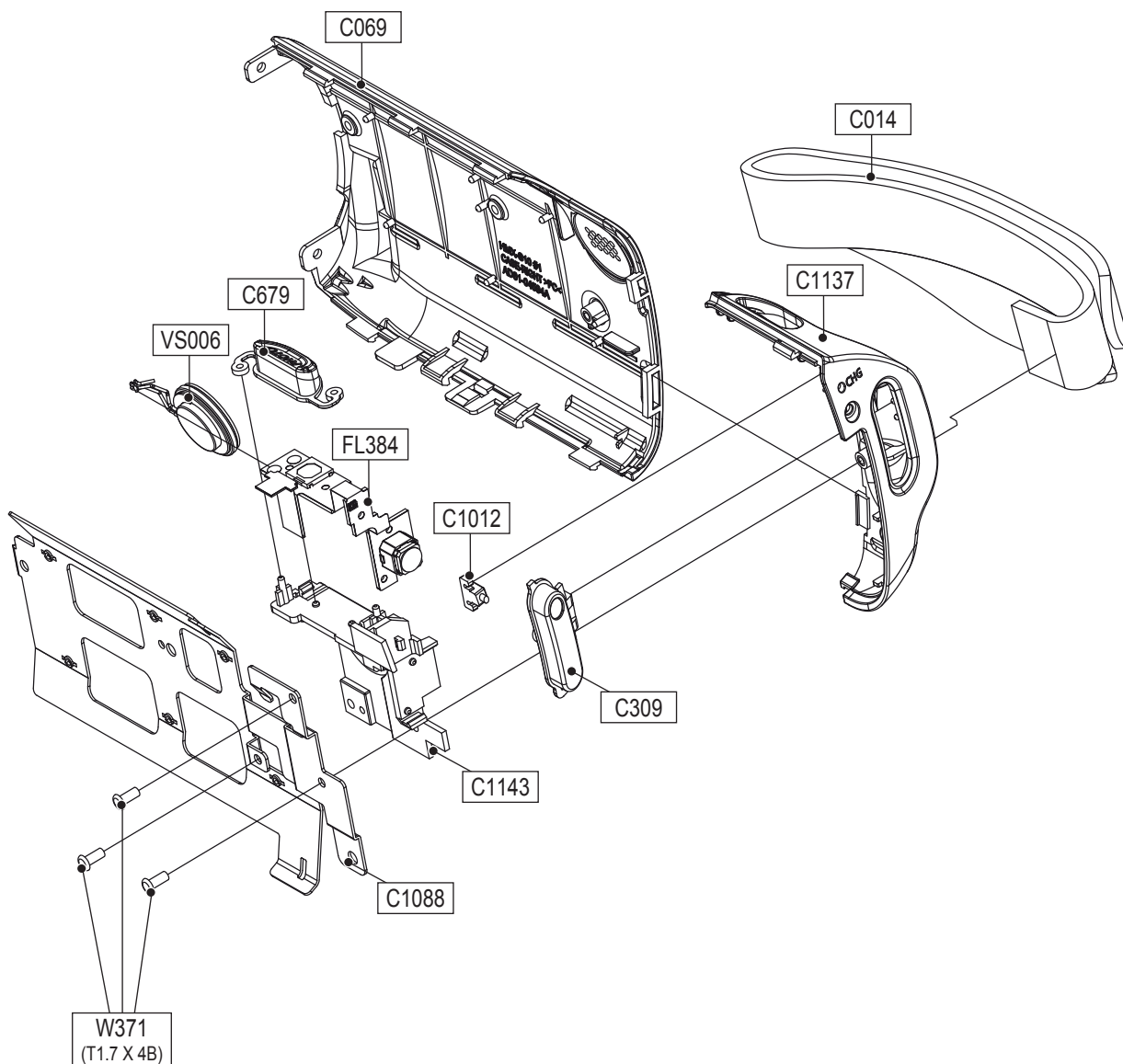
Loc. No	Parts No.	Description; Specification	Qty	SA	Remark
B014	AD61-04618A	PLATE-MAIN BOTTOM;HMX-S10,CU,T0.5	1	SA	
FL383	AD97-18316A	ASSY FPC-LEFT;HMX-S10,HMX-S10,ASS	1	SA	
P001	AD92-01088B	ASSY PCB MAIN;S10-PJ,HMX-S15BP/EDC,PAL,ENG	1	SA	
P401	AD92-01156B	ASSY PCB MEMORY;HMX-S10,HMX-S15,MEMORY,32GB	1	SA	
W281	6001-001508	SCREW-MACHINE;CH(0.5),+,M1.7,L5,Z	21	SA	

5-2 Assembly Left



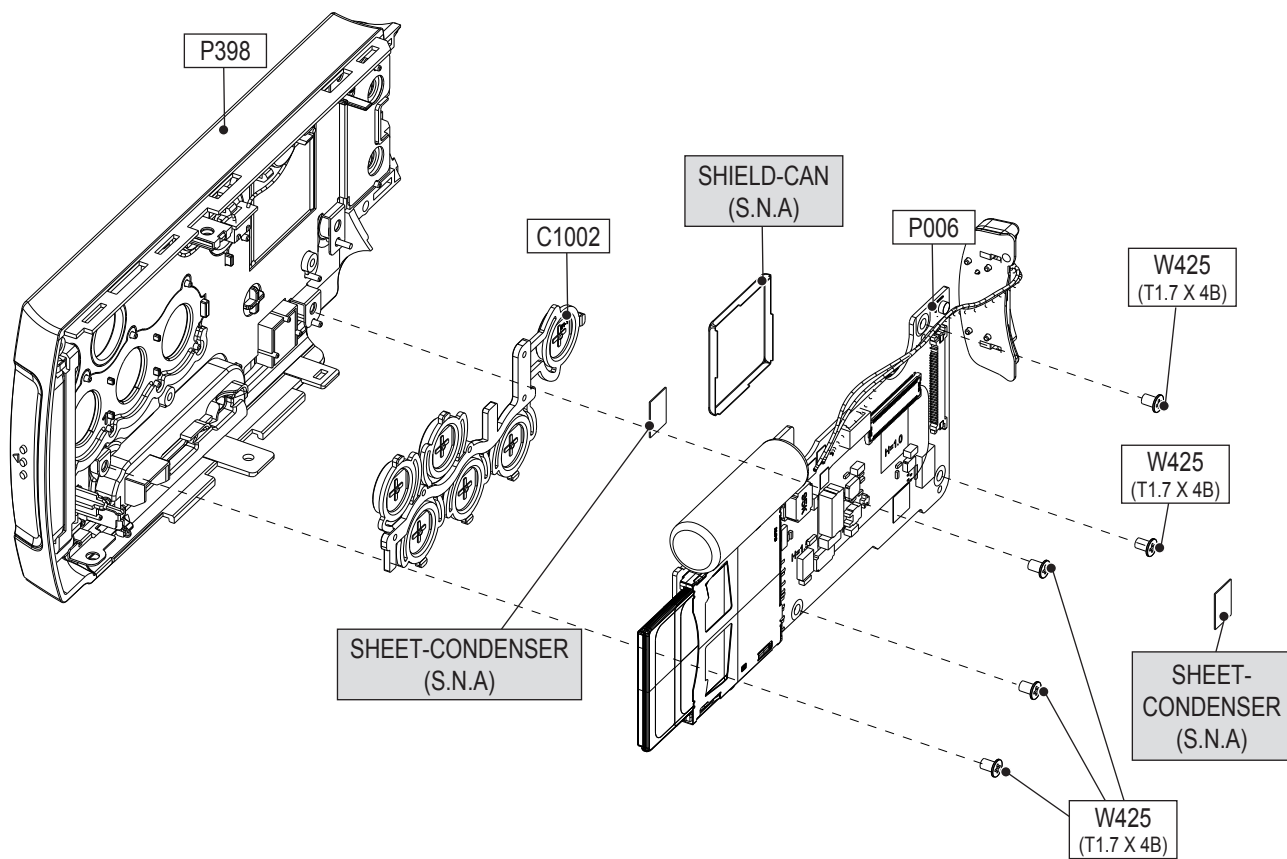
Loc. No	Parts No.	Description; Specification	Qty	SA	Remark
C035	AD63-04859A	COVER-LEFT;HMX-S10,PC,T1.0,W33.5,	1	SA	
C1150	AD42-00009A	ANTENNA PIFA;570-0107A-00000,HMX-S16,2.4	1	SA	
C460	AD61-04576A	BRACKET-HOLDER LCD;HMX-S10,STAINL	1	SA	
P118	AD97-18613A	ASSY REAR;HMX-S10,HMX-S10	1	SA	
W281	6001-001508	SCREW-MACHINE;CH(0.5),+,M1.7,L5,Z	1	SA	
W313	6001-001510	SCREW-MACHINE;CH,+,M1.7,L2.5,NI P	2	SA	
W371	6003-001453	SCREW-TAPTYPE;BH,+,B,M1.7,L4,ZPC(4	SA	

5-3 Assembly Right



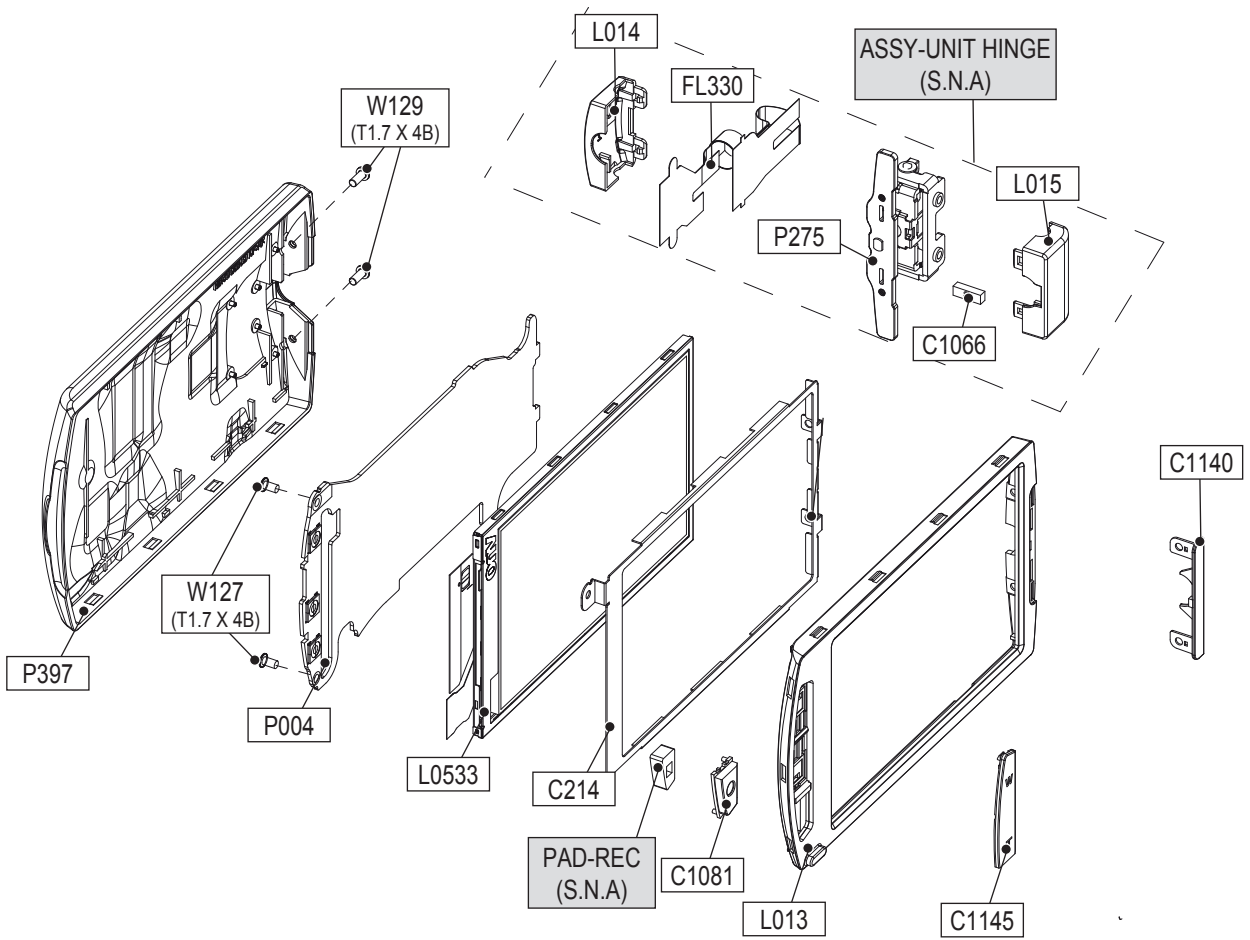
Loc. No	Parts No.	Description; Specification	Qty	SA	Remark
C014	AD97-18621A	ASSY BELT-GRIP;HMX-S10,HMX-S10	1	SA	
C069	AD61-04594A	CASE-RIGHT;HMX-S10,PC,T1.5,W90,L5	1	SA	
C1012	AD64-02899A	INDICATOR-CHARGE;HMX-S10,PMMA,T1.	1	SA	
C1088	AD61-04619A	PLATE-HEAT RIGHT;HMX-S10,CU,T0.5,	1	SA	
C1137	AD61-04595A	CASE-INNER RIGHT;HMX-S10,PC,T1.5,	1	SA	
C1143	AD61-04625A	HOLDER-RIGHT;HMX-S10,PC,T1.5,W15.	1	SA	
C309	AD64-02897A	BUTTON-REC;HMX-S10,ABS,D12.5,NTR	1	SA	
C679	AD64-02896A	BUTTON-PHOTO;HMX-S10,ABS,D25,NTR	1	SA	
FL384	AD97-18317A	ASSY FPC-RIGHT;HMX-S10,HMX-S10,AS	1	SA	
VS006	AD97-18491A	ASSY SPEAKER;ASSY SPEAKER,HMX-200	1	SA	
W371	6003-001453	SCREW-TAPTYPE;BH,+,B,M1.7,L4,ZPC(3	SA	

5-4 Assembly case Left



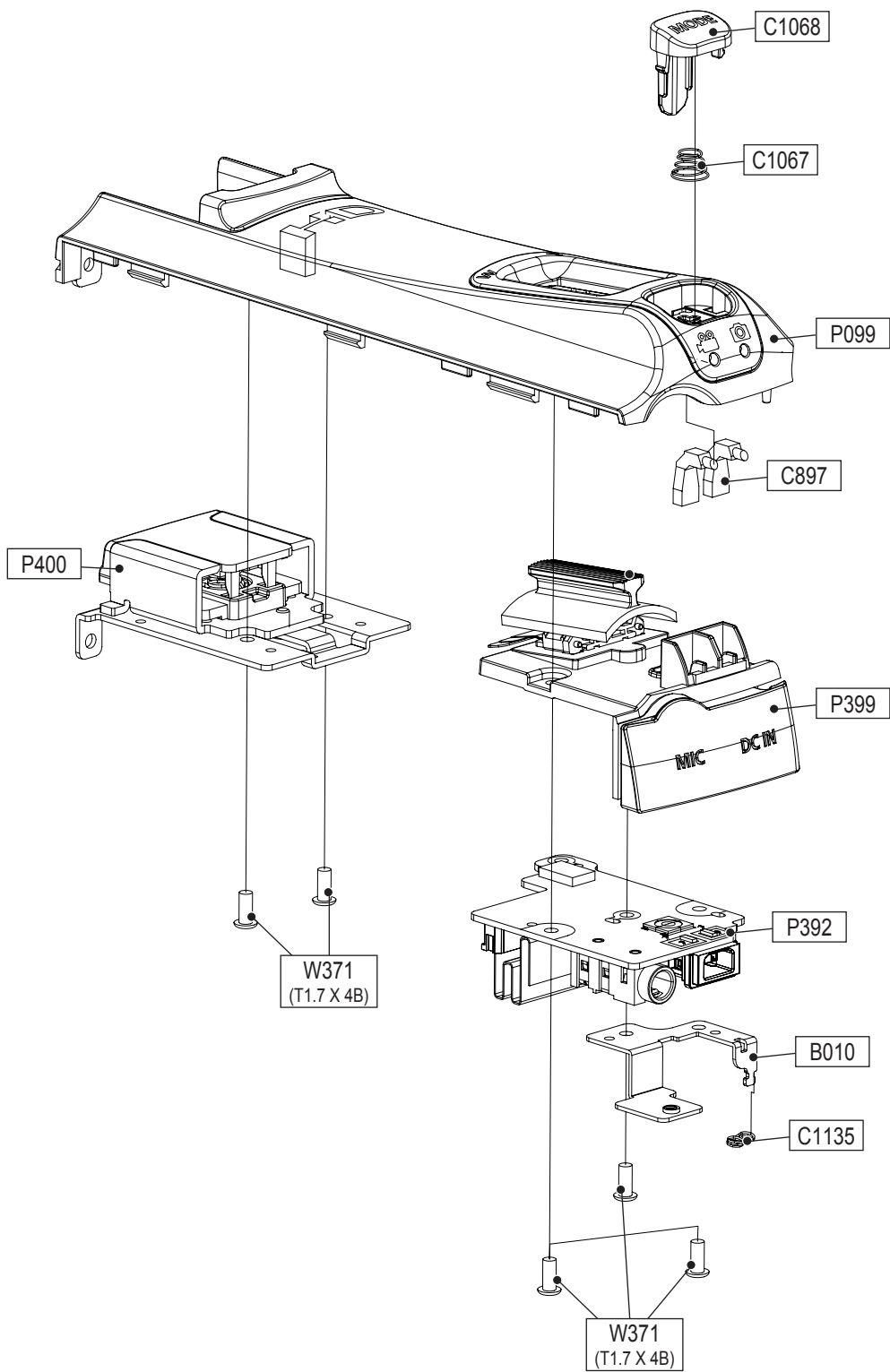
Loc. No	Parts No.	Description; Specification	Qty	SA	Remark
C1002	AD64-02880A	BUTTON-LEFT;HMX-S10,ABS+PC,W63,L2	1	SA	
P006	AD92-01041B	ASSY PCB LEFT;HMX-S15/16,HMX-S15/16,LEFT,WIFI	1	SA	
P398	AD97-19355B	ASSY CASE-DUMMY LEFT;HMX-S15,S16,HMX-S15,S1	1	SA	
W425	6003-001297	SCREW-TAPTYPE;CH,+,B,M1.7,L2.5,NI	5	SA	

5-5 Assembly LCD



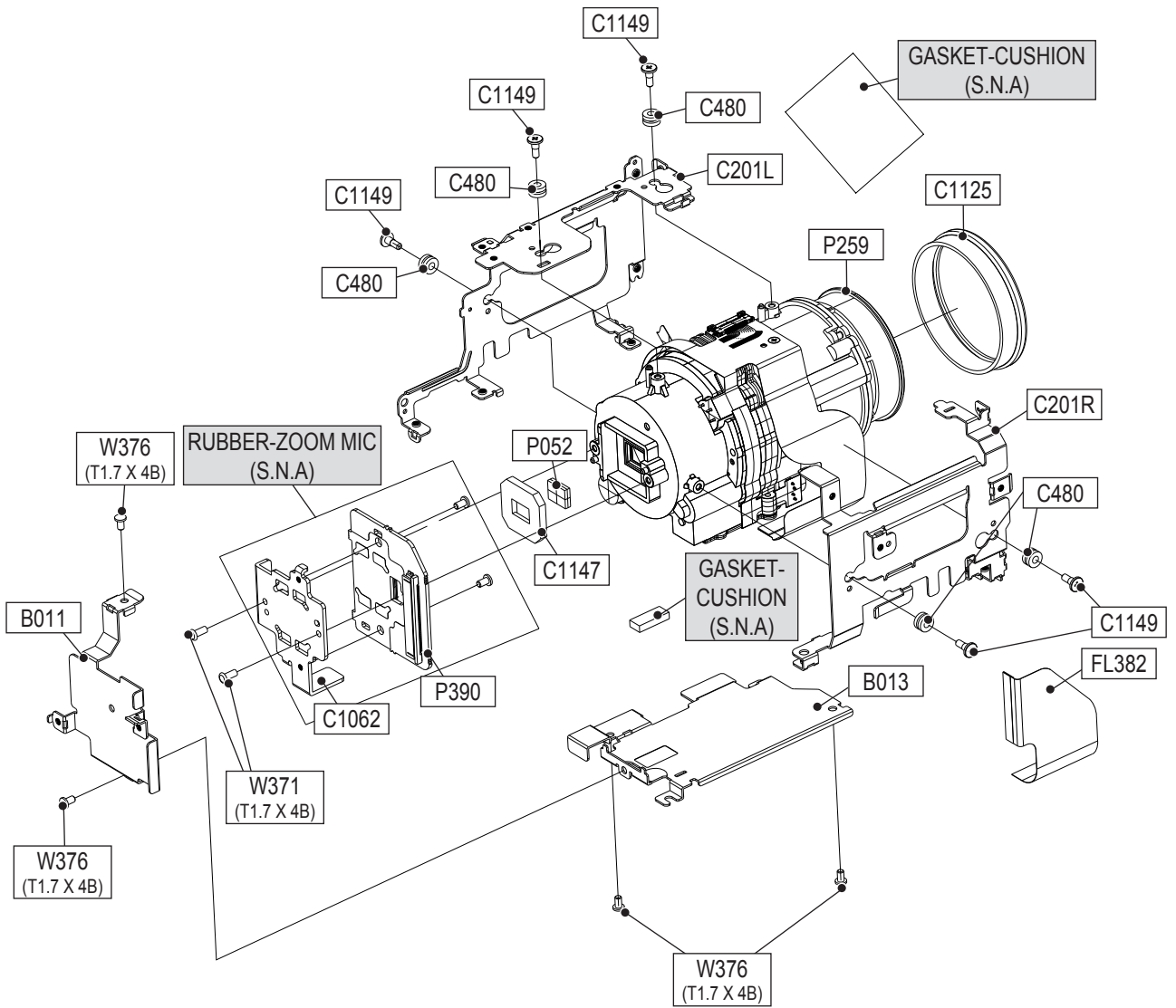
Loc. No	Parts No.	Description; Specification	Qty	SA	Remark
C1066	AD61-04473A	MAGNET-LCD;H200,N45M,T1.8,W2.3,L6	1	SA	
C1081	AD64-02881A	BUTTON-LCD REC;HMX-S10,PC,W63,L27	1	SA	
C1140	AD63-04867A	COVER-LCD BOTTOM;HMX-S10,ABS,T1.0	1	SA	
C1145	AD64-02882A	BUTTON-LCD ZOOM;HMX-S10,PC,W63,L2	1	SA	
C214	AD61-04577A	BRACKET-GROUND LCD;HMX-S10,STAINL	1	SA	
FL330	AD41-01424A	FPC-LCD;HMX-S10,POLYIMIDE,30P,0.1,	1	SA	
L013	AD61-04586A	CASE-LCD BOTTOM;HMX-S10,PC,T1.5,W	1	SA	
L014	AD63-04868A	COVER-HINGE TOP;HMX-S10,ABS,T1.0,	1	SA	
L015	AD63-04869A	COVER-HINGE BOTTOM;HMX-S10,ABS,T1	1	SA	
L0533	AD07-00122A	LCD;A035VL01_V3,SP1 LIGHT,24bit,8	1	SA	
P004	AD92-01043A	ASSY PCB LCD;HMX-S10,HMX-S10,LCD	1	SA	
P275	AD97-18609A	ASSY HINGE;HD MODEL,HMX-S10	1	SA	
P397	AD97-19325B	ASSY CASE-LCD;HMX-S15,S16,HMX-S15,S16,SSD(O)	1	SA	
W127	6003-001292	SCREW-TAPTYPE;CH(0.3),+,B,M1.7,L3	2	SA	
W129	6001-001719	SCREW-MACHINE;CH,+,M1.7,L4,NI PLT	2	SA	

5-6 Assembly Top



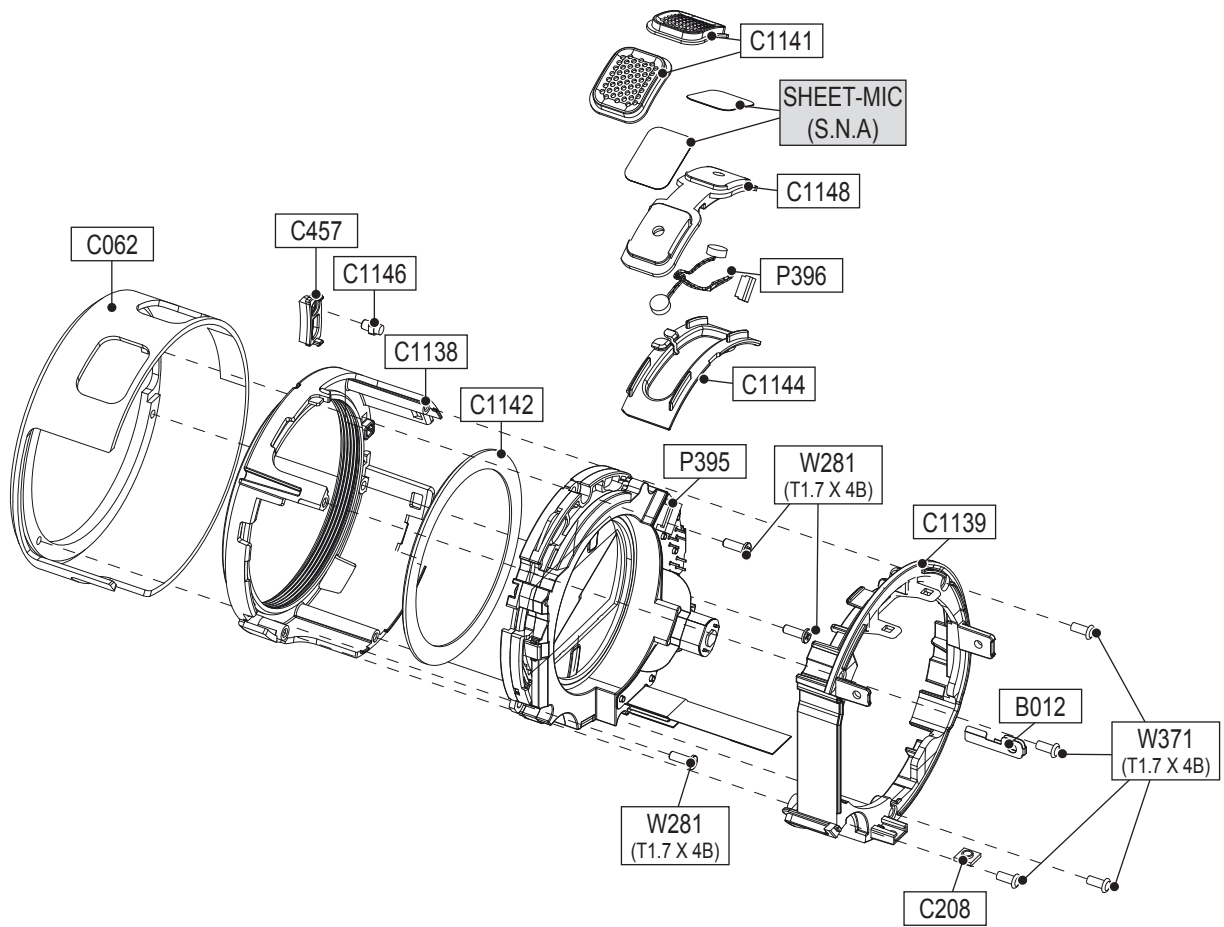
Loc. No	Parts No.	Description; Specification	Qty	SA	Remark
B010	AD61-04601A	BRACKET-DC COVER;HMX-S10,STAINLES	1	SA	
C1067	AD61-04769A	SPRING ETC-MODE;HMX-S10,SUS304- W	1	SA	
C1068	AD64-02895A	BUTTON-MODE;HMX-S10,ABS,D13,NTR	1	SA	
C1135	AD61-04758A	SPRING ETC-DOOR SOCKET;HMX-S10,ST	1	SA	
C897	AD64-02898A	INDICATOR-MODE;HMX-S10,PMMA,T1.0,	2	SA	
P099	AD97-19276A	ASSY CASE-TOP;HMX-S10,HMX-S10	1	SA	
P392	AD92-01040A	ASSY PCB SUB-TOP;HMX-S10,HMX-S10,	1	SA	
P399	AD97-19549A	ASSY-DUMMY ZOOM;HMX-S10,HMX-S10	1	SA	
P400	AD97-19550A	ASSY-SHOE;HMX-S10,HMX-S10	1	SA	
W371	6003-001453	SCREW-TAPTYPE;BH,+ ,B,M1.7,L4,ZPC{	5	SA	

5-7 Assembly Camera



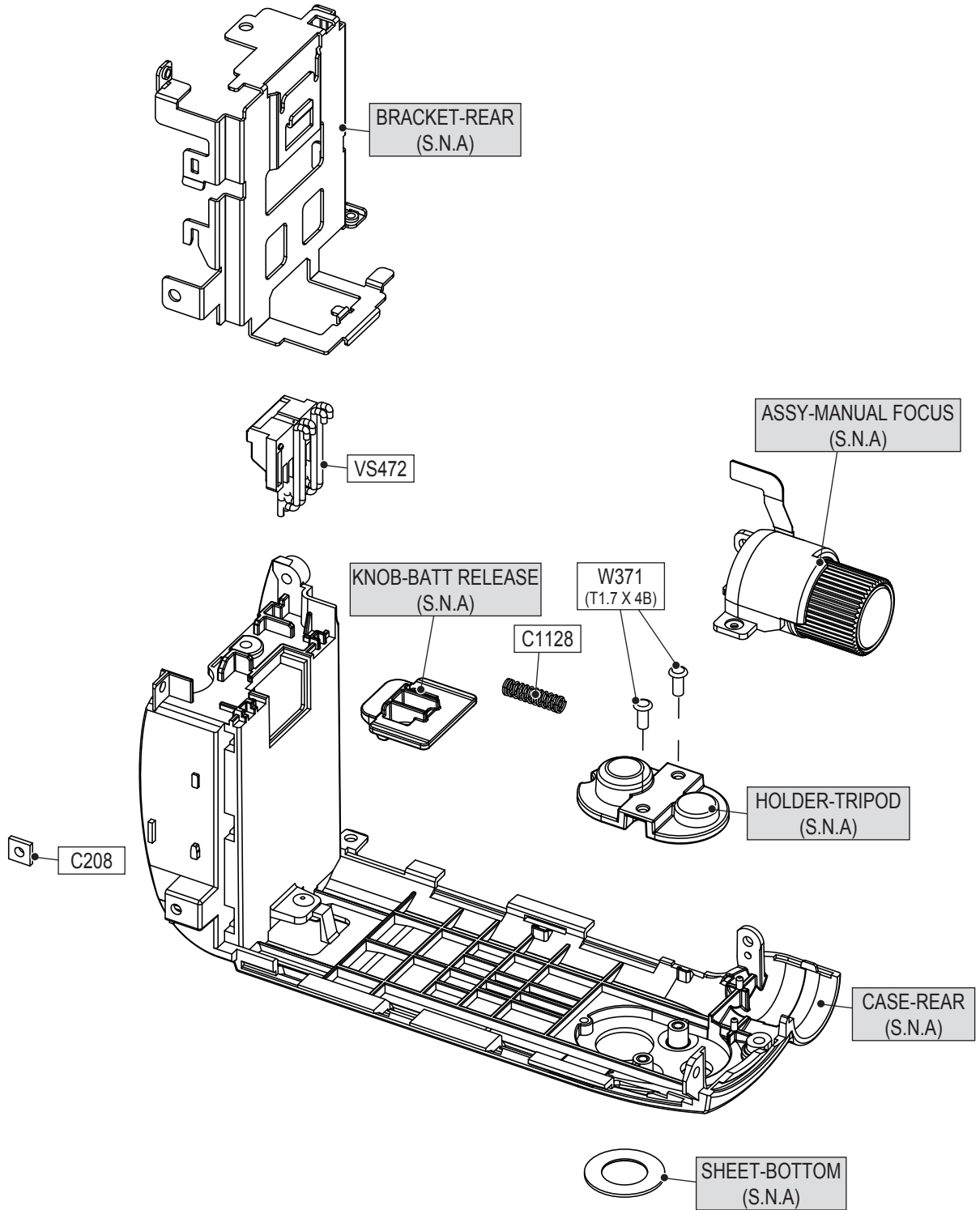
Loc. No	Parts No.	Description; Specification	Qty	SA	Remark
B011	AD61-04602A	BRACKET-MEMORY PCB;HMX-S10,STAINL	1	SA	
B013	AD61-04617A	PLATE-MAIN TOP;HMX-S10,CU,T0.5,W6	1	SA	
C1062	AD61-04638A	PLATE-HEAT LENS;HMX-S10,CU,T1.0,W	1	SA	
C1125	AD73-00381A	RUBBER RING-LENS;HMX-S10,RUBBER,D	1	SA	
C1147	AD73-00382A	RUBBER-CMOS;HMX-S10,RUBBER,D15.8,	1	SA	
C1149	AD61-04675A	STUD-SPACER SCREW;HMX-S10,SWRCH18	5	SA	
C201L	AD61-04598A	BRACKET-LENS L;HMX-S10,STAINLESS-	1	SA	
C201R	AD61-04599A	BRACKET-LENS R;HMX-S10,Cu,T0.5,W6	1	SA	
C480	AD73-00064A	RUBBER-SPACER 2.6;D5-PJ,IIR BLK	5	SA	
FL382	AD41-01422A	FPC-CIS;HMX-S10,POLYIMIDE,40P,0.05	1	SA	
P052	AD67-01726A	LENS FILTER-OLPF;HMX-S10,DUMMY,IN	1	SA	
P259	AD97-18388A	ASSY LENS-ZOOM;S10,HD,15X ZOOM LE	1	SA	
P390	AD92-01036A	ASSY PCB CIS;HMX-S10,HMX-S10,CIS	1	SA	
W371	6003-001453	SCREW-TAPTYPE;BH,+,B,M1.7,L4,ZPC(2	SA	
W376	6001-000805	SCREW-MACHINE;CH,+,-,M1.7,L3,NI P	4	SA	

5-8 Assembly Front



Loc. No	Parts No.	Description; Specification	Qty	SA	Remark
B012	AD61-04605A	BRACKET-GROUND FRONT L;HMX-S10,ST	1	SA	
C062	AD63-04912A	COVER-FRONT;HMX-S10,ABS,T1.5,W60,	1	SA	
C1138	AD61-04596A	CASE-FRONT F;HMX-S10,PC,T1.5,W17.	1	SA	
C1139	AD61-04597A	CASE-FRONT R;HMX-S10,PC,T1.5,W17.	1	SA	
C1141	AD63-04913A	COVER-FRONT MIC;HMX-S10,ABS,T1.5,	2	SA	
C1142	AD63-04938A	COVER-DECO FRONT;HMX-S10,AL,T0.5,	1	SA	
C1144	AD61-04626A	HOLDER-FRONT MIC;HMX-S10,PC,T1.5,	1	SA	
C1146	AD64-02900A	INDICATOR-REC;HMX-S10,PMMA,T1.0,D	1	SA	
C1148	AD73-00383A	RUBBER-FRONT MIC;HMX-S10,RUBBER,D	1	SA	
C208	AD61-12033A	BRACKET-NUT;SV-D10,SECC,T0.8	1	SA	
C457	AD64-02901A	WINDOW-REMOTE;HMX-S10,PMMA,T1.5,W	1	SA	
P395	AD97-18617A	ASSY COVER-LENS;HMX-S10,HMX-S10	1	SA	
P396	AD97-18619A	ASSY FRONT-MIC;HMX-S10,HMX-S10	1	SA	
W281	6001-001508	SCREW-MACHINE;CH(0.5),+,M1.7,L5,Z	3	SA	
W371	6003-001453	SCREW-TAPTYPE;BH,+,B,M1.7,L4,ZPC(4	SA	

5-9 Assembly Rear



Loc. No	Parts No.	Description; Specification	Qty	SA	Remark
C1128	AD61-04392A	SPRING ETC-BATT RELEASE;H200,STAI	1	SA	
C208	AD61-12033A	BRACKET-NUT;SV-D10,SECC,T0.8	1	SA	
VS472	AD39-00176A	WIRE HARNESS-BATTERY;F40-PJ,UL157	1	SA	
W371	6003-001453	SCREW-TAPTYPE;BH,+,B,M1.7,L4,ZPC(2	SA	

Exploded Views and Parts List

Loc.No	Part No	Description: Specification	Q'ty	S.N.A	Remark	Loc.No	Part No	Description: Specification	Q'ty	S.N.A	Remark
R543	2007-000140	R-CHIP;1Kohm,5%,1/16W,TP,1005	1	SA		RG34	2007-000171	R-CHIP;0ohm,5%,1/16W,TP,1005	1	SA	
R544	2007-000162	R-CHIP;100Kohm,5%,1/16W,TP,1005	1	SA		RG38	2007-000171	R-CHIP;0ohm,5%,1/16W,TP,1005	1	SA	
R901	2007-000138	R-CHIP;100ohm,5%,1/16W,TP,1005	1	SA		RG39	2007-000171	R-CHIP;0ohm,5%,1/16W,TP,1005	1	SA	
R902	2007-001307	R-CHIP;180ohm,5%,1/16W,TP,1005	1	SA		RH03	2007-000162	R-CHIP;100Kohm,5%,1/16W,TP,1005	1	SA	
R903	2007-000157	R-CHIP;47Kohm,5%,1/16W,TP,1005	1	SA		RH05	2007-001320	R-CHIP;1.8Kohm,5%,1/16W,TP,1005	1	SA	
R904	2007-000157	R-CHIP;47Kohm,5%,1/16W,TP,1005	1	SA		RH06	2007-001320	R-CHIP;1.8Kohm,5%,1/16W,TP,1005	1	SA	
R905	2007-000148	R-CHIP;10Kohm,5%,1/16W,TP,1005	1	SA		RH07	2007-007142	R-CHIP;10Kohm,1%,1/16W,TP,1005	1	SA	
R906	2007-000148	R-CHIP;10Kohm,5%,1/16W,TP,1005	1	SA		RH08	2007-001325	R-CHIP;3.3Kohm,5%,1/16W,TP,1005	1	SA	
R907	2007-000932	R-CHIP;470ohm,5%,1/16W,TP,1005	1	SA		RH09	2007-008417	R-CHIP;34Kohm,1%,1/16W,TP,1005	1	SA	
R908	2007-000932	R-CHIP;470ohm,5%,1/16W,TP,1005	1	SA		RH10	2007-001325	R-CHIP;3.3Kohm,5%,1/16W,TP,1005	1	SA	
R909	2007-000932	R-CHIP;470ohm,5%,1/16W,TP,1005	1	SA		RH11	2007-008037	R-CHIP;57.6Kohm,1%,1/16W,TP,1005	1	SA	
R910	2007-000932	R-CHIP;470ohm,5%,1/16W,TP,1005	1	SA		RL01	2007-000162	R-CHIP;100Kohm,5%,1/16W,TP,1005	1	SA	
R911	2007-000148	R-CHIP;10Kohm,5%,1/16W,TP,1005	1	SA		RL02	2007-000162	R-CHIP;100Kohm,5%,1/16W,TP,1005	1	SA	
R912	2007-000148	R-CHIP;10Kohm,5%,1/16W,TP,1005	1	SA		RL03	2007-000162	R-CHIP;100Kohm,5%,1/16W,TP,1005	1	SA	
R913	2007-001307	R-CHIP;180ohm,5%,1/16W,TP,1005	1	SA		RL04	2007-000140	R-CHIP;1Kohm,5%,1/16W,TP,1005	1	SA	
R914	2007-000140	R-CHIP;1Kohm,5%,1/16W,TP,1005	1	SA		RM01	2007-000162	R-CHIP;100Kohm,5%,1/16W,TP,1005	1	SA	
R917	2007-000140	R-CHIP;1Kohm,5%,1/16W,TP,1005	1	SA		RM02	2007-000162	R-CHIP;100Kohm,5%,1/16W,TP,1005	1	SA	
R918	2007-000148	R-CHIP;10Kohm,5%,1/16W,TP,1005	1	SA		RM03	2007-000162	R-CHIP;100Kohm,5%,1/16W,TP,1005	1	SA	
R919	2007-000148	R-CHIP;10Kohm,5%,1/16W,TP,1005	1	SA		RM04	2007-000162	R-CHIP;100Kohm,5%,1/16W,TP,1005	1	SA	
R920	2007-000148	R-CHIP;10Kohm,5%,1/16W,TP,1005	1	SA		RM05	2007-000162	R-CHIP;100Kohm,5%,1/16W,TP,1005	1	SA	
R921	2007-000148	R-CHIP;10Kohm,5%,1/16W,TP,1005	1	SA		RM06	2007-000162	R-CHIP;100Kohm,5%,1/16W,TP,1005	1	SA	
R922	2007-000148	R-CHIP;10Kohm,5%,1/16W,TP,1005	1	SA		RM08	2007-000162	R-CHIP;100Kohm,5%,1/16W,TP,1005	1	SA	
R923	2007-000148	R-CHIP;10Kohm,5%,1/16W,TP,1005	1	SA		RP03	2007-007142	R-CHIP;10Kohm,1%,1/16W,TP,1005	1	SA	
R924	2007-000148	R-CHIP;10Kohm,5%,1/16W,TP,1005	1	SA		RP04	2007-007312	R-CHIP;20Kohm,1%,1/16W,TP,1005	1	SA	
R925	2007-000148	R-CHIP;10Kohm,5%,1/16W,TP,1005	1	SA		RP05	2007-000148	R-CHIP;10Kohm,5%,1/16W,TP,1005	1	SA	
R926	2007-000148	R-CHIP;10Kohm,5%,1/16W,TP,1005	1	SA		RP06	2007-007142	R-CHIP;10Kohm,1%,1/16W,TP,1005	1	SA	
R927	2007-000148	R-CHIP;10Kohm,5%,1/16W,TP,1005	1	SA		RP07	2007-007132	R-CHIP;15Kohm,1%,1/16W,TP,1005	1	SA	
R928	2007-000140	R-CHIP;1Kohm,5%,1/16W,TP,1005	1	SA		RP08	2007-000932	R-CHIP;470ohm,5%,1/16W,TP,1005	1	SA	
R929	2007-000140	R-CHIP;1Kohm,5%,1/16W,TP,1005	1	SA		RP09	2007-000148	R-CHIP;10Kohm,5%,1/16W,TP,1005	1	SA	
R930	2007-000140	R-CHIP;1Kohm,5%,1/16W,TP,1005	1	SA		RP10	2007-007309	R-CHIP;12Kohm,1%,1/16W,TP,1005	1	SA	
RA01	2007-000141	R-CHIP;2.2Kohm,5%,1/16W,TP,1005	1	SA		RP11	2007-007142	R-CHIP;10Kohm,1%,1/16W,TP,1005	1	SA	
RA02	2007-000141	R-CHIP;2.2Kohm,5%,1/16W,TP,1005	1	SA		RP12	2007-007312	R-CHIP;20Kohm,1%,1/16W,TP,1005	1	SA	
RA03	2007-000141	R-CHIP;2.2Kohm,5%,1/16W,TP,1005	1	SA		RP13	2007-000148	R-CHIP;10Kohm,5%,1/16W,TP,1005	1	SA	
RA04	2007-000141	R-CHIP;2.2Kohm,5%,1/16W,TP,1005	1	SA		RP14	2007-007142	R-CHIP;10Kohm,1%,1/16W,TP,1005	1	SA	
RA05	2007-000141	R-CHIP;2.2Kohm,5%,1/16W,TP,1005	1	SA		RP15	2007-007470	R-CHIP;7.5Kohm,1%,1/16W,TP,1005	1	SA	
RA06	2007-000141	R-CHIP;2.2Kohm,5%,1/16W,TP,1005	1	SA		RP16	2007-007306	R-CHIP;100ohm,1%,1/16W,TP,1005	1	SA	
RA07	2007-000162	R-CHIP;100Kohm,5%,1/16W,TP,1005	1	SA		RP17	2007-000148	R-CHIP;10Kohm,5%,1/16W,TP,1005	1	SA	
RA10	2007-000141	R-CHIP;2.2Kohm,5%,1/16W,TP,1005	1	SA		RP18	2007-007312	R-CHIP;20Kohm,1%,1/16W,TP,1005	1	SA	
RA11	2007-000141	R-CHIP;2.2Kohm,5%,1/16W,TP,1005	1	SA		RP19	2007-007312	R-CHIP;20Kohm,1%,1/16W,TP,1005	1	SA	
RA12	2007-000162	R-CHIP;100Kohm,5%,1/16W,TP,1005	1	SA		RP20	2007-000172	R-CHIP;10ohm,5%,1/16W,TP,1005	1	SA	
RA13	2007-000162	R-CHIP;100Kohm,5%,1/16W,TP,1005	1	SA		RP21	2007-007489	R-CHIP;150Kohm,1%,1/16W,TP,1005	1	SA	
RG02	2007-007137	R-CHIP;1.2Kohm,1%,1/16W,TP,1005	1	SA		RP22	2007-007306	R-CHIP;100ohm,1%,1/16W,TP,1005	1	SA	
RG03	2007-007137	R-CHIP;1.2Kohm,1%,1/16W,TP,1005	1	SA		RP23	2007-000148	R-CHIP;10Kohm,5%,1/16W,TP,1005	1	SA	
RG04	2007-007334	R-CHIP;200Kohm,1%,1/16W,TP,1005	1	SA		RP24	2007-007142	R-CHIP;10Kohm,1%,1/16W,TP,1005	1	SA	
RG05	2007-001325	R-CHIP;3.3Kohm,5%,1/16W,TP,1005	1	SA		RP25	2007-000162	R-CHIP;100Kohm,5%,1/16W,TP,1005	1	SA	
RG06	2007-001325	R-CHIP;3.3Kohm,5%,1/16W,TP,1005	1	SA		RP27	2007-007306	R-CHIP;100ohm,1%,1/16W,TP,1005	1	SA	
RG07	2007-007334	R-CHIP;200Kohm,1%,1/16W,TP,1005	1	SA		RP28	2007-007470	R-CHIP;7.5Kohm,1%,1/16W,TP,1005	1	SA	
RG08	2007-007334	R-CHIP;200Kohm,1%,1/16W,TP,1005	1	SA		RP29	2007-000148	R-CHIP;10Kohm,5%,1/16W,TP,1005	1	SA	
RG09	2007-001325	R-CHIP;3.3Kohm,5%,1/16W,TP,1005	1	SA		RP30	2007-007312	R-CHIP;20Kohm,1%,1/16W,TP,1005	1	SA	
RG10	2007-007334	R-CHIP;200Kohm,1%,1/16W,TP,1005	1	SA		RP31	2007-007313	R-CHIP;6.8Kohm,1%,1/16W,TP,1005	1	SA	
RG11	2007-001325	R-CHIP;3.3Kohm,5%,1/16W,TP,1005	1	SA		RP32	2007-007312	R-CHIP;20Kohm,1%,1/16W,TP,1005	1	SA	
RG12	2007-000143	R-CHIP;4.7Kohm,5%,1/16W,TP,1005	1	SA		RP33	2007-007312	R-CHIP;20Kohm,1%,1/16W,TP,1005	1	SA	
RG13	2007-000143	R-CHIP;4.7Kohm,5%,1/16W,TP,1005	1	SA		RP34	2007-000140	R-CHIP;1Kohm,5%,1/16W,TP,1005	1	SA	
RG14	2007-001305	R-CHIP;120ohm,5%,1/16W,TP,1005	1	SA		RP35	2007-007470	R-CHIP;7.5Kohm,1%,1/16W,TP,1005	1	SA	
RG17	2007-000170	R-CHIP;1Mohm,5%,1/16W,TP,1005	1	SA		RP37	2007-000170	R-CHIP;1Mohm,5%,1/16W,TP,1005	1	SA	
RG18	2007-000932	R-CHIP;470ohm,5%,1/16W,TP,1005	1	SA		RS01	2007-000153	R-CHIP;22Kohm,5%,1/16W,TP,1005	1	SA	
RG20	2007-000143	R-CHIP;4.7Kohm,5%,1/16W,TP,1005	1	SA		RS02	2007-001325	R-CHIP;3.3Kohm,5%,1/16W,TP,1005	1	SA	
RG21	2007-000143	R-CHIP;4.7Kohm,5%,1/16W,TP,1005	1	SA		RS03	2007-000140	R-CHIP;1Kohm,5%,1/16W,TP,1005	1	SA	
RG22	2007-000143	R-CHIP;4.7Kohm,5%,1/16W,TP,1005	1	SA		RS04	2007-000162	R-CHIP;100Kohm,5%,1/16W,TP,1005	1	SA	
RG23	2007-000143	R-CHIP;4.7Kohm,5%,1/16W,TP,1005	1	SA		RS05	2007-000140	R-CHIP;1Kohm,5%,1/16W,TP,1005	1	SA	
RG25	2007-000143	R-CHIP;4.7Kohm,5%,1/16W,TP,1005	1	SA		RS06	2007-000162	R-CHIP;100Kohm,5%,1/16W,TP,1005	1	SA	
RG26	2007-000143	R-CHIP;4.7Kohm,5%,1/16W,TP,1005	1	SA		RS07	2007-000140	R-CHIP;1Kohm,5%,1/16W,TP,1005	1	SA	
RG33	2007-000171	R-CHIP;0ohm,5%,1/16W,TP,1005	1	SA							

Memo