

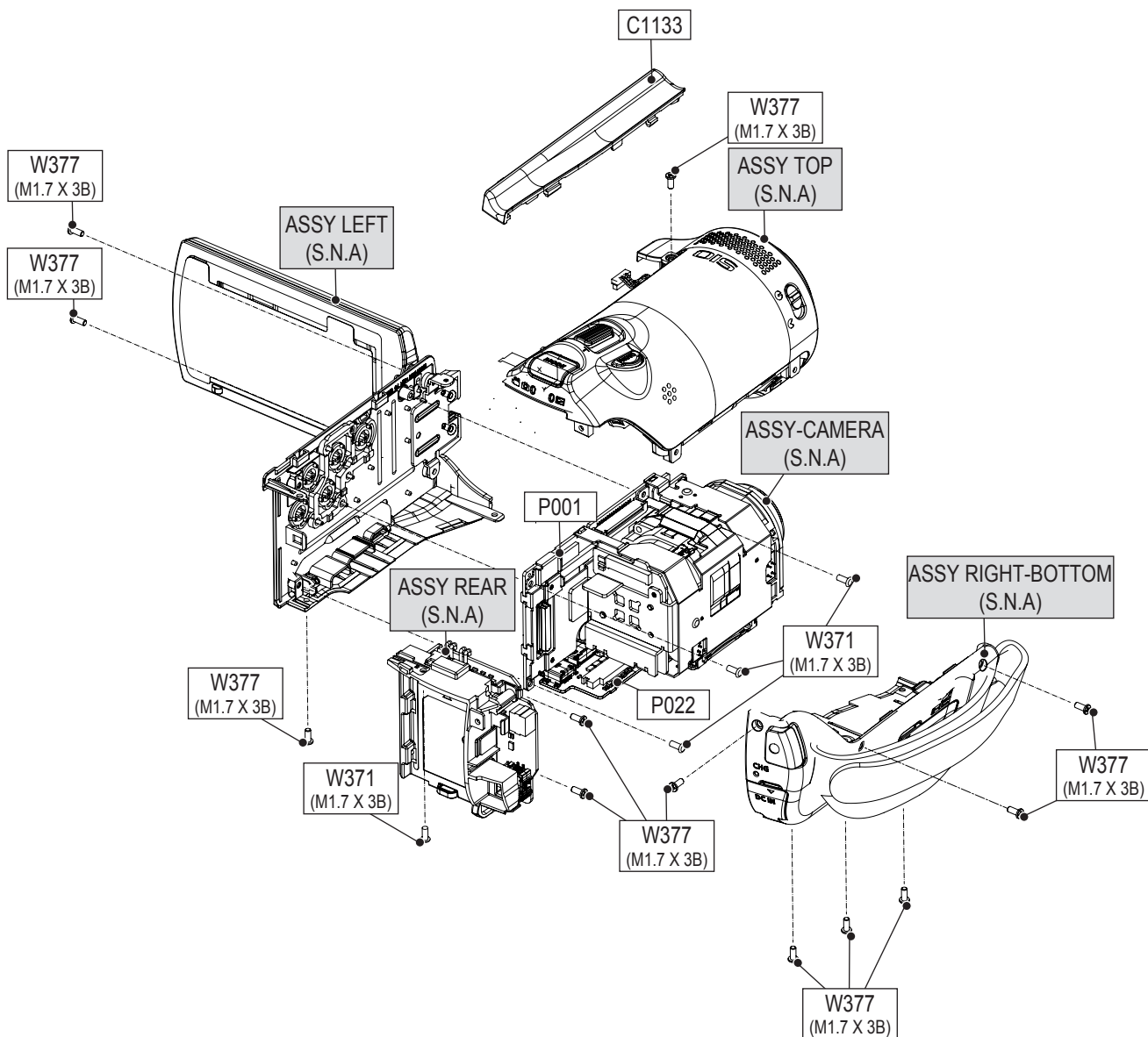
---

## 5. Exploded View and Parts List

---

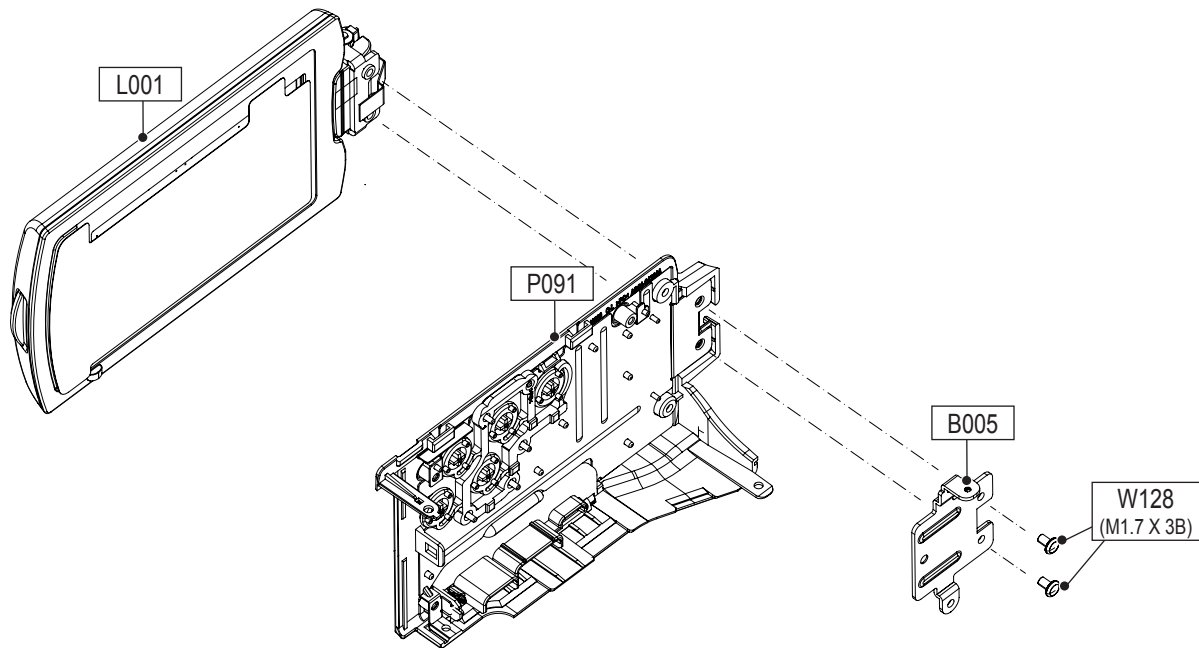
<b>5-1 Ass'y Chassis</b>	<b>5-2</b>
<b>5-2 Ass'y Left</b>	<b>5-4</b>
<b>5-3 Ass'y LCD</b>	<b>5-5</b>
<b>5-4 Ass'y case Right</b>	<b>5-6</b>
<b>5-5 Ass'y Top</b>	<b>5-8</b>
<b>5-6 Ass'y Rear</b>	<b>5-10</b>
<b>5-7 Ass'y Camera</b>	<b>5-11</b>
<b>5-8 Electrical Parts List</b>	<b>5-12</b>

### 5-1 Ass'y Chassis



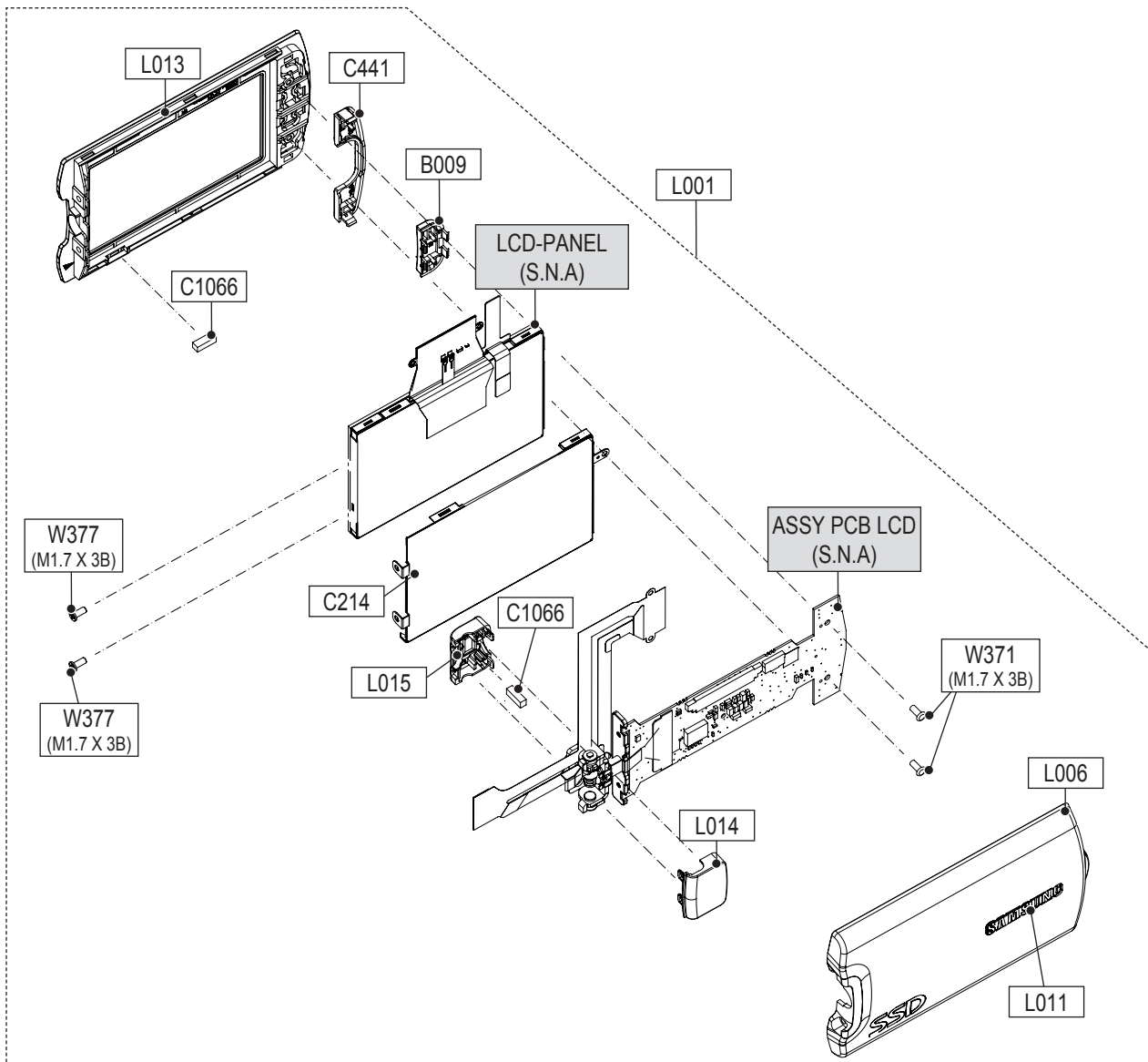
Loc. No	Parts No.	Description ; Specification	Qty	SA	Remark
C1133	AD97-18454A	ASSY COVER-MIDDLE;H200,H200,PAD LEF	1	SA	
P001	AD92-00957N	ASSY PCB MAIN;H200-PJ,HMX-H200BP/XER,PAL,RUS	1	SA	
P022	AD92-00958A	ASSY PCB JACK;H200-PJ,HMX-H200N/XAA	1	SA	
W371	6003-001453	SCREW-TAPTYPE;BH,+ ,B,M1.7,L4,ZPC(BL	4	SA	
W377	6001-001291	SCREW-MACHINE;CH(0.5),* ,-,M1.7,L4,Z	12	SA	

### 5-2 Ass'y Left



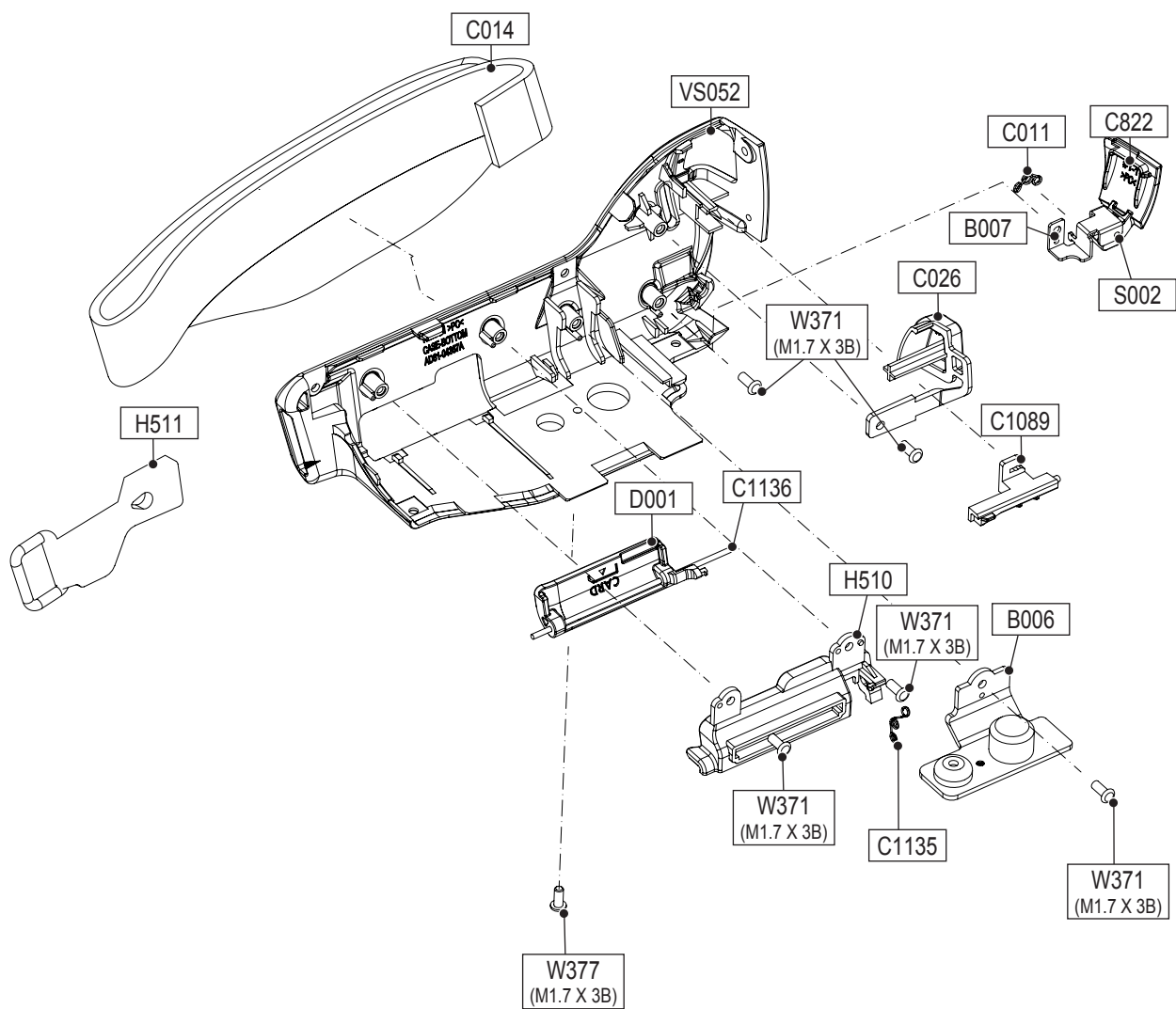
Loc. No	Parts No.	Description ; Specification	Qty	SA	Remark
B005	AD61-04379A	BRACKET-HOLDER HINGE;H200,STAINLESS	1	SA	
L001	AD97-18246D	ASSY LCD;HMX-H200B	1	SA	
P091	AD97-18247A	ASSY CASE-LEFT;HD,H200,BASIC	1	SA	
W128	6001-001292	SCREW-MACHINE;PH,+,M1.7,L3.0,ZPC(BL)	2	SA	

## 5-3 Ass'y LCD



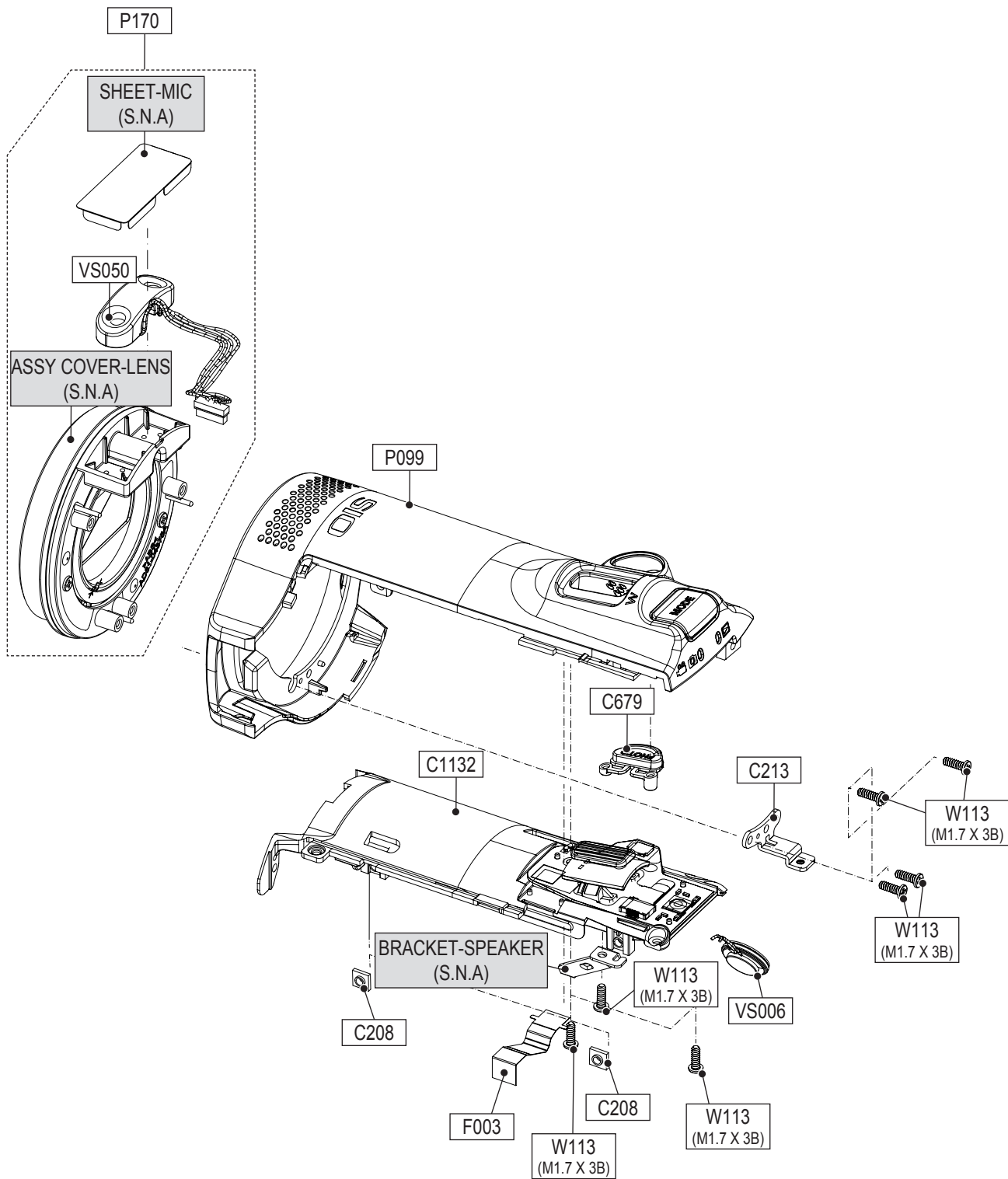
Loc. No	Parts No.	Description ; Specification	Qty	SA	Remark
B009	AD64-02755A	BUTTON-ZOOM;H200,PC,19.4,BLACK	1	SA	
C1066	AD61-03720A	MAGNET-LCD;MX20,Nd-Fe-B N45M,T2,W2.	2	SA	
C214	AD61-04378A	BRACKET-GROUND LCD;H200,STAINLES	1	SA	
C441	AD64-02756A	BUTTON-MENU;H200,PC,44.3,BLACK	1	SA	
L001	AD97-18246D	ASSY LCD;HMX-H200B	1	SA	
L006	AD61-04500A	CASE-LCD TOP;H200,PC,1.2,50,80,BLK	1	SA	
L011	AD64-02516A	BADGE-SAMSUNG;HMX100,SUS,T0.5,W4	1	SA	
L013	AD61-04362A	CASE-LCD BOTTOM;H200,PC,1.5,87.6,50	1	SA	
L014	AD63-04568A	COVER-HINGE TOP;H200,PC,1.2,12.3,17	1	SA	
L015	AD63-04569A	COVER-HINGE BOTTOM;H200,PC,1.2,12.3	1	SA	
W371	6003-001453	SCREW-TAPTYPE;BH,+B,M1.7,L4,ZPC(BL	2	SA	
W377	6001-001291	SCREW-MACHINE;CH(0.5)*,-,M1.7,L4,Z	2	SA	

### 5-4 Ass'y case Right



Loc. No	Parts No.	Description ; Specification	Qty	SA	Remark
B006	AD61-04382A	BRACKET-HOLDER TRIPOD;H200,STAINLES	1	SA	
B007	AD61-04383A	BRACKET-DC JACK;H200,STAINLESS-ST53	1	SA	
C011	AD61-03952A	SPRING ETC-DOOR;DX200,SUS304WPB,D0.	1	SA	
C014	AD97-17545A	ASSY BELT-GRIP;Memory CAM,SMX-K40	1	SA	
C026	AD64-02760A	KNOB-REC;H200,PC,1.5,14.95,21,BLACK	1	SA	
C1089	AD64-02763A	INDICATOR-CHG;H200,PMMA,1.5,MILKY,1	1	SA	
C1135	AD61-04548A	SPRING ETC-DOOR SOCKET;H200,STAINLE	1	SA	
C1136	AD66-00761A	SHAFT-DOOR SOCKET;H200,STAINLESS-ST	1	SA	
C822	AD63-04564A	COVER-JACK;H200,PC,1.5,13.5,17.4,BL	1	SA	
D001	AD64-02759A	DOOR-SOCKET;H200,PC,T1.5,8.3,W9,L33	1	SA	
H510	AD61-04374A	HOLDER-SOCKET;H200,PC,1.5,15,41.2,B	1	SA	
H511	AD61-04391A	HOLDER-BELT GRIP;H200,CHAMUDE,T2.5,	1	SA	
S002	AD66-00762A	SHAFT-DC COVER;H200,STAINLESS-ST530	1	SA	
VS052	AD61-04367A	CASE-BOTTOM;H200,PC,1.5,102.4,44.7,	1	SA	
W371	6003-001453	SCREW-TAPTYPE;BH,+ ,B,M1.7,L4,ZPC(BL	5	SA	
W377	6001-001291	SCREW-MACHINE;CH(0.5),* ,-,M1.7,L4,Z	1	SA	

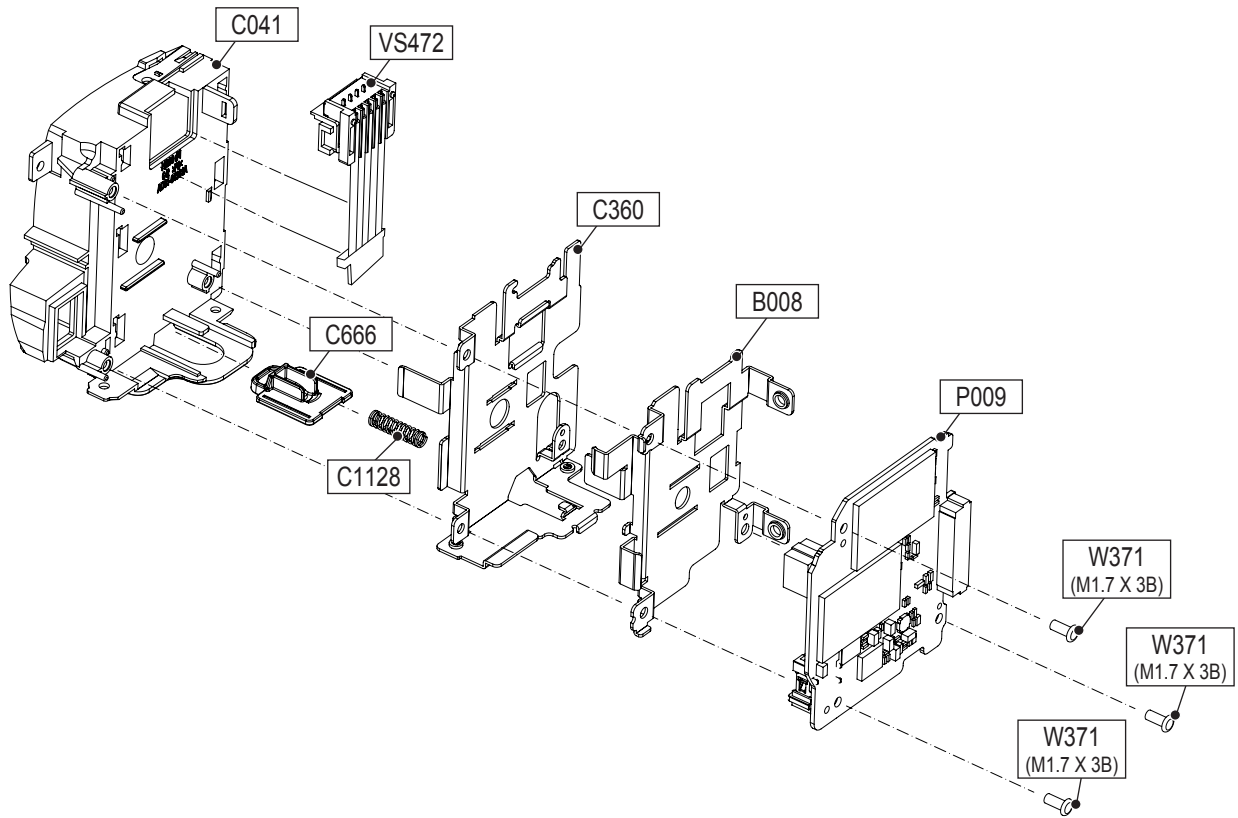
### 5-5 Ass'y Top





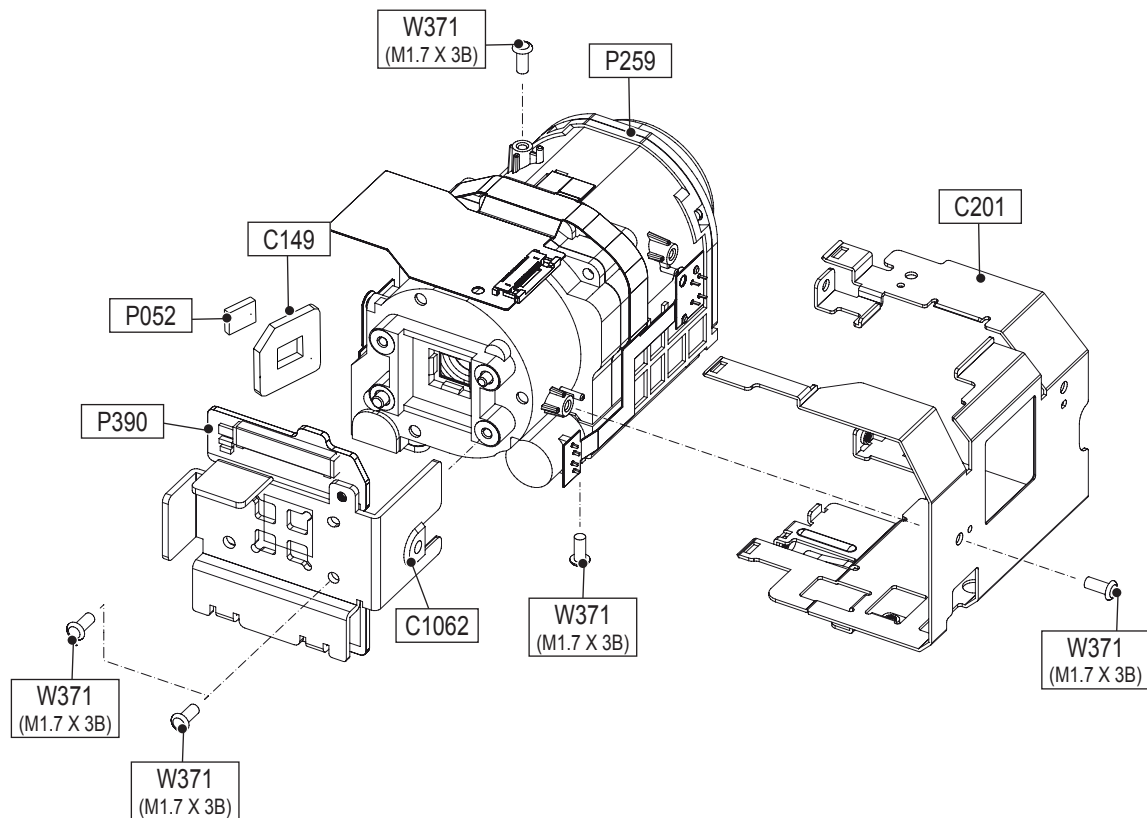
Loc. No	Parts No.	Description ; Specification	Qty	SA	Remark
C1132	AD97-18368A	ASSY-INNER TOP;H200,H200	1	SA	
C208	AD61-12033A	BRACKET-NUT;SV-D10,SECC,T0.8	1	SA	
C213	AD61-04381A	BRACKET-FRONT;H200,STAINLESS-ST304	1	SA	
C679	AD64-02765A	BUTTON-PHOTO;H200,PC,5.2,BLACK	1	SA	
F003	AD41-01475A	FPC-TOP;TOP FPC,00,POLYIMADE,10,0.3	1	SA	
P099	AD97-18367A	ASSY CASE-TOP;H200,H200,BASIC	1	SA	
P170	AD97-18241A	ASSY FRONT;HD,H200,BASIC	1	SA	
VS006	AD97-18491A	ASSY SPEAKER;ASSY SPEAKER,HMX-200,S	1	SA	
VS050	AD97-18490A	ASSY MIC;STEREO MIC,HMX-200,ASSY MI	1	SA	
W113	6002-001085	SCREW-TAPPING;CH,+,2,M1.7,L5,ZPC(BL	7	SA	

## 5-6 Ass'y Rear



Loc. No	Parts No.	Description ; Specification	Qty	SA	Remark
B008	AD61-04387A	PLATE-HEAT REAR;H200,CU,T0.5,W42.4,	1	SA	
C041	AD61-04361A	CASE-REAR;H200,PC,1.5,44.3,49,BLACK	1	SA	
C1128	AD61-04392A	SPRING ETC-BATT RELEASE;H200,STAINL	1	SA	
C360	AD61-04377A	BRACKET-REAR;H200,STAINLESS-ST304,	1	SA	
C666	AD64-02762A	KNOB-BATTERY RELEASE;H200,PC,1.5,4.	1	SA	
P009	AD92-00959E	ASSY PCB REAR;H200-PJ,HMX-H200BN/X	1	SA	
VS472	AD39-00176A	WIRE HARNESS-BATTERY;F40-PJ,UL1571,	1	SA	
W371	6003-001453	SCREW-TAPTYPE;BH,+,B,M1.7,L4,ZPC(BL	3	SA	

## 5-7 Ass'y Camera



Loc. No	Parts No.	Description ; Specification	Qty	SA	Remark
C1062	AD61-04384A	PLATE-HEAT LENS;H200,CU,T1,W28.5	1	SA	
C149	AD60-00071A	SPACER-CIS;LHMx1,SILICON,4.5,6.5,BL	1	SA	
C201	AD61-04376A	BRACKET-LENS;H200,STAINLESS-ST304,	1	SA	
P052	AD67-01245A	LENS FILTER-OLPF;HMX100,DUMMY,INFRA	1	SA	
P259	AD97-18387A	ASSY LENS-ZOOM;H200,HD,20X ZOOM LEN	1	SA	
P390	AD92-00961A	ASSY PCB CIS;H200-PJ,HMX-H200N/XAA,	1	SA	
W371	6003-001453	SCREW-TAPTYPE;BH,+,B,M1.7,L4,ZPC(BL	5	SA	







Loc.No	Part No	Description : Specification	Q'ty	S.N.A	Remark	Loc.No	Part No	Description : Specification	Q'ty	S.N.A	Remark
R317	2007-001319	R-CHIP;1.2Kohm,5%,1/16W,TP,1005	1	SA		R605	2007-000148	R-CHIP;10Kohm,5%,1/16W,TP,1005	1	SA	
R318	2007-001319	R-CHIP;1.2Kohm,5%,1/16W,TP,1005	1	SA		R612	2007-000162	R-CHIP;100Kohm,5%,1/16W,TP,1005	1	SA	
R319	2007-000140	R-CHIP;1Kohm,5%,1/16W,TP,1005	1	SA		R614	2007-000162	R-CHIP;100Kohm,5%,1/16W,TP,1005	1	SA	
R323	2007-000157	R-CHIP;47Kohm,5%,1/16W,TP,1005	1	SA		R615	2007-000162	R-CHIP;100Kohm,5%,1/16W,TP,1005	1	SA	
R332	2007-000932	R-CHIP;470ohm,5%,1/16W,TP,1005	1	SA		R616	2007-000162	R-CHIP;100Kohm,5%,1/16W,TP,1005	1	SA	
R333	2007-000932	R-CHIP;470ohm,5%,1/16W,TP,1005	1	SA		R626	2007-000138	R-CHIP;100ohm,5%,1/16W,TP,1005	1	SA	
R335	2007-000932	R-CHIP;470ohm,5%,1/16W,TP,1005	1	SA		R627	2007-000138	R-CHIP;100ohm,5%,1/16W,TP,1005	1	SA	
R336	2007-000932	R-CHIP;470ohm,5%,1/16W,TP,1005	1	SA		R628	2007-000138	R-CHIP;100ohm,5%,1/16W,TP,1005	1	SA	
R344	2007-000070	R-CHIP;0ohm,5%,1/10W,TP,1608	1	SA		R629	2007-000138	R-CHIP;100ohm,5%,1/16W,TP,1005	1	SA	
R380	2007-000140	R-CHIP;1Kohm,5%,1/16W,TP,1005	1	SA		R630	2007-000138	R-CHIP;100ohm,5%,1/16W,TP,1005	1	SA	
R381	2007-000140	R-CHIP;1Kohm,5%,1/16W,TP,1005	1	SA		R646	2007-000148	R-CHIP;10Kohm,5%,1/16W,TP,1005	1	SA	
R382	2007-000140	R-CHIP;1Kohm,5%,1/16W,TP,1005	1	SA		R647	2007-000148	R-CHIP;10Kohm,5%,1/16W,TP,1005	1	SA	
R391	2007-000171	R-CHIP;0ohm,5%,1/16W,TP,1005	1	SA		R650	2007-000148	R-CHIP;10Kohm,5%,1/16W,TP,1005	1	SA	
R392	2007-000171	R-CHIP;0ohm,5%,1/16W,TP,1005	1	SA		R656	2007-000148	R-CHIP;10Kohm,5%,1/16W,TP,1005	1	SA	
R393	2007-007107	R-CHIP;100Kohm,1%,1/16W,TP,1005	1	SA		R657	2007-000171	R-CHIP;0ohm,5%,1/16W,TP,1005	1	SA	
R394	2007-007107	R-CHIP;100Kohm,1%,1/16W,TP,1005	1	SA		R675	2007-000152	R-CHIP;20Kohm,5%,1/16W,TP,1005	1	SA	
R395	2007-000171	R-CHIP;0ohm,5%,1/16W,TP,1005	1	SA		R691	2007-000154	R-CHIP;24Kohm,5%,1/16W,TP,1005	1	SA	
R501	2007-000162	R-CHIP;100Kohm,5%,1/16W,TP,1005	1	SA		R692	2007-000157	R-CHIP;47Kohm,5%,1/16W,TP,1005	1	SA	
R503	2007-000162	R-CHIP;100Kohm,5%,1/16W,TP,1005	1	SA		R696	2007-000138	R-CHIP;100ohm,5%,1/16W,TP,1005	1	SA	
R504	2007-000143	R-CHIP;4.7Kohm,5%,1/16W,TP,1005	1	SA		R697	2007-000138	R-CHIP;100ohm,5%,1/16W,TP,1005	1	SA	
R505	2007-000162	R-CHIP;100Kohm,5%,1/16W,TP,1005	1	SA		R698	2007-000138	R-CHIP;100ohm,5%,1/16W,TP,1005	1	SA	
R506	2007-000162	R-CHIP;100Kohm,5%,1/16W,TP,1005	1	SA		R699	2007-000138	R-CHIP;100ohm,5%,1/16W,TP,1005	1	SA	
R507	2007-000162	R-CHIP;100Kohm,5%,1/16W,TP,1005	1	SA		R700	2007-000138	R-CHIP;100ohm,5%,1/16W,TP,1005	1	SA	
R508	2007-000162	R-CHIP;100Kohm,5%,1/16W,TP,1005	1	SA		R701	2007-000138	R-CHIP;100ohm,5%,1/16W,TP,1005	1	SA	
R509	2007-001323	R-CHIP;3Kohm,5%,1/16W,TP,1005	1	SA		R702	2007-000138	R-CHIP;100ohm,5%,1/16W,TP,1005	1	SA	
R512	2007-000170	R-CHIP;1Mohm,5%,1/16W,TP,1005	1	SA		R703	2007-000138	R-CHIP;100ohm,5%,1/16W,TP,1005	1	SA	
R513	2007-000162	R-CHIP;100Kohm,5%,1/16W,TP,1005	1	SA		R704	2007-000138	R-CHIP;100ohm,5%,1/16W,TP,1005	1	SA	
R514	2007-000140	R-CHIP;1Kohm,5%,1/16W,TP,1005	1	SA		R705	2007-000138	R-CHIP;100ohm,5%,1/16W,TP,1005	1	SA	
R515	2007-000140	R-CHIP;1Kohm,5%,1/16W,TP,1005	1	SA		R706	2007-000138	R-CHIP;100ohm,5%,1/16W,TP,1005	1	SA	
R516	2007-000140	R-CHIP;1Kohm,5%,1/16W,TP,1005	1	SA		R707	2007-000138	R-CHIP;100ohm,5%,1/16W,TP,1005	1	SA	
R517	2007-000143	R-CHIP;4.7Kohm,5%,1/16W,TP,1005	1	SA		R708	2007-000138	R-CHIP;100ohm,5%,1/16W,TP,1005	1	SA	
R518	2007-000143	R-CHIP;4.7Kohm,5%,1/16W,TP,1005	1	SA		R709	2007-000138	R-CHIP;100ohm,5%,1/16W,TP,1005	1	SA	
R519	2007-000162	R-CHIP;100Kohm,5%,1/16W,TP,1005	1	SA		R710	2007-000138	R-CHIP;100ohm,5%,1/16W,TP,1005	1	SA	
R521	2007-000162	R-CHIP;100Kohm,5%,1/16W,TP,1005	1	SA		R711	2007-000138	R-CHIP;100ohm,5%,1/16W,TP,1005	1	SA	
R522	2007-000148	R-CHIP;10Kohm,5%,1/16W,TP,1005	1	SA		R712	2007-000138	R-CHIP;100ohm,5%,1/16W,TP,1005	1	SA	
R524	2007-000162	R-CHIP;100Kohm,5%,1/16W,TP,1005	1	SA		R713	2007-000138	R-CHIP;100ohm,5%,1/16W,TP,1005	1	SA	
R525	2007-000162	R-CHIP;100Kohm,5%,1/16W,TP,1005	1	SA		R714	2007-000138	R-CHIP;100ohm,5%,1/16W,TP,1005	1	SA	
R526	2007-000140	R-CHIP;1Kohm,5%,1/16W,TP,1005	1	SA		R715	2007-000138	R-CHIP;100ohm,5%,1/16W,TP,1005	1	SA	
R530	2007-000140	R-CHIP;1Kohm,5%,1/16W,TP,1005	1	SA		R716	2007-000138	R-CHIP;100ohm,5%,1/16W,TP,1005	1	SA	
R531	2007-000140	R-CHIP;1Kohm,5%,1/16W,TP,1005	1	SA		R717	2007-000138	R-CHIP;100ohm,5%,1/16W,TP,1005	1	SA	
R532	2007-000140	R-CHIP;1Kohm,5%,1/16W,TP,1005	1	SA		R718	2007-000138	R-CHIP;100ohm,5%,1/16W,TP,1005	1	SA	
R534	2007-000140	R-CHIP;1Kohm,5%,1/16W,TP,1005	1	SA		R719	2007-000138	R-CHIP;100ohm,5%,1/16W,TP,1005	1	SA	
R537	2007-000171	R-CHIP;0ohm,5%,1/16W,TP,1005	1	SA		R720	2007-000138	R-CHIP;100ohm,5%,1/16W,TP,1005	1	SA	
R540	2007-000140	R-CHIP;1Kohm,5%,1/16W,TP,1005	1	SA		R721	2007-000138	R-CHIP;100ohm,5%,1/16W,TP,1005	1	SA	
R543	2007-000162	R-CHIP;100Kohm,5%,1/16W,TP,1005	1	SA		R722	2007-000138	R-CHIP;100ohm,5%,1/16W,TP,1005	1	SA	
R544	2007-000148	R-CHIP;10Kohm,5%,1/16W,TP,1005	1	SA		RA01	2007-000137	R-CHIP;2Kohm,5%,1/16W,TP,1005	1	SA	
R547	2007-000162	R-CHIP;100Kohm,5%,1/16W,TP,1005	1	SA		RA02	2007-000137	R-CHIP;2Kohm,5%,1/16W,TP,1005	1	SA	
R548	2007-000148	R-CHIP;10Kohm,5%,1/16W,TP,1005	1	SA		RA03	2007-000142	R-CHIP;2.7Kohm,5%,1/16W,TP,1005	1	SA	
R549	2007-000148	R-CHIP;10Kohm,5%,1/16W,TP,1005	1	SA		RA04	2007-000141	R-CHIP;2.2Kohm,5%,1/16W,TP,1005	1	SA	
R560	2007-000162	R-CHIP;100Kohm,5%,1/16W,TP,1005	1	SA		RA05	2007-000142	R-CHIP;2.7Kohm,5%,1/16W,TP,1005	1	SA	
R561	2007-000162	R-CHIP;100Kohm,5%,1/16W,TP,1005	1	SA		RA06	2007-000141	R-CHIP;2.2Kohm,5%,1/16W,TP,1005	1	SA	
R562	2007-000162	R-CHIP;100Kohm,5%,1/16W,TP,1005	1	SA		RA07	2007-000157	R-CHIP;47Kohm,5%,1/16W,TP,1005	1	SA	
R563	2007-000102	R-CHIP;100Kohm,5%,1/10W,TP,1608	1	SA		RA08	2007-000157	R-CHIP;47Kohm,5%,1/16W,TP,1005	1	SA	
R564	2007-000143	R-CHIP;4.7Kohm,5%,1/16W,TP,1005	1	SA		RA09	2007-000140	R-CHIP;1Kohm,5%,1/16W,TP,1005	1	SA	
R565	2007-000148	R-CHIP;10Kohm,5%,1/16W,TP,1005	1	SA		RA10	2007-000148	R-CHIP;10Kohm,5%,1/16W,TP,1005	1	SA	
R566	2007-000162	R-CHIP;100Kohm,5%,1/16W,TP,1005	1	SA		RA11	2007-000162	R-CHIP;100Kohm,5%,1/16W,TP,1005	1	SA	
R567	2007-000162	R-CHIP;100Kohm,5%,1/16W,TP,1005	1	SA		RA12	2007-000162	R-CHIP;100Kohm,5%,1/16W,TP,1005	1	SA	
R568	2007-000162	R-CHIP;100Kohm,5%,1/16W,TP,1005	1	SA		RA13	2007-000171	R-CHIP;0ohm,5%,1/16W,TP,1005	1	SA	
R591	2007-000153	R-CHIP;22Kohm,5%,1/16W,TP,1005	1	SA		RA14	2007-000171	R-CHIP;0ohm,5%,1/16W,TP,1005	1	SA	
R592	2007-001325	R-CHIP;3.3Kohm,5%,1/16W,TP,1005	1	SA		RC02	2007-000162	R-CHIP;100Kohm,5%,1/16W,TP,1005	1	SA	
R593	2007-000153	R-CHIP;22Kohm,5%,1/16W,TP,1005	1	SA		RC03	2007-000162	R-CHIP;100Kohm,5%,1/16W,TP,1005	1	SA	
R594	2007-001325	R-CHIP;3.3Kohm,5%,1/16W,TP,1005	1	SA		RC04	2007-000162	R-CHIP;100Kohm,5%,1/16W,TP,1005	1	SA	
R595	2007-000140	R-CHIP;1Kohm,5%,1/16W,TP,1005	1	SA							







Exploded Views and Parts List

Loc.No	Part No	Description : Specification	Q'ty	S.N.A	Remark
D01	0601-002037	LED;SMD(TOP VIEW);BLUE,1.6x0.8mm	1	SA	
D02	0601-002037	LED;SMD(TOP VIEW);BLUE,1.6x0.8mm	1	SA	
F003	AD41-01475A	FPC-TOP;TOP FPC,00,POLYIMADE,10,	1	SA	
PCB	AD41-01438A	PCB SUB-TOP;HMX-H200,FR-4,2L,T0,	0.0625	SNA	
R01	2007-000162	R-CHIP;100Kohm,5%,1/16W,TP,1005	1	SA	
R02	2007-000148	R-CHIP;10Kohm,5%,1/16W,TP,1005	1	SA	
R03	2007-000138	R-CHIP;100ohm,5%,1/16W,TP,1005	1	SA	
R04	2007-000138	R-CHIP;100ohm,5%,1/16W,TP,1005	1	SA	
SW01	3404-001216	SWITCH-TACT;12V DC,20mA,160gf,4,	1	SA	
SW02	3404-001389	SWITCH-TACT;15V,20mA,91.8-240gf,	1	SA	
	AD99-01623A	ASSY MANUAL INSERT-TOP;H200-PJ,H	1	SNA	
	0202-001492	SOLDER-WIRE FLUX;HSE-02 LFM48 SR	0.129	SNA	
	AD99-01624A	ASSY SMD INSERT-TOP;H200-PJ,HMX-	1	SNA	
	0202-001626	SOLDER-CREAM;PF305-118EO,D15-35,	0.0234	SNA	

**ASSY REAR PCB**

PO09 AD92-00959E	ASSY PCB REAR-H200-PJ,HMX-H200BN/K	1	SA	
CON1	3710-002455	SOCKET-BOARD TO BOARD;20P,2R,0.5mm	1	SA
CON2	3711-005509	HEADER-BOARD TO CABLE;BOX,4P,1R,1,	1	SA
CON3	3722-002985	JACK-DC POWER;5P,AU,ORG	1	SA
CR02	2203-000438	C-CER,CHIP;1nF,10%,50V,X7R,TP,1005	1	SA
CR03	2203-000438	C-CER,CHIP;1nF,10%,50V,X7R,TP,1005	1	SA
CR04	2203-006378	C-CER,CHIP;4700nF,10%,6.3V,X5R,TP,	1	SA
CR05	2203-006361	C-CER,CHIP;1000nF,10%,10V,X5R,TP,	1	SC
CR07	2203-005993	C-CER,CHIP;68nF,10%,16V,X7R,TP,100	1	SA
CR08	2203-006158	C-CER,CHIP;100nF,10%,16V,X7R,1005	1	SA
CR09	2203-005993	C-CER,CHIP;68nF,10%,16V,X7R,TP,100	1	SA
CR10	2203-000233	C-CER,CHIP;0.1nF,5%,50V,C0G,TP,100	1	SA
CR11	2203-002487	C-CER,CHIP;4.7nF,10%,25V,X7R,TP,10	1	SA
CR13	2203-006158	C-CER,CHIP;100nF,10%,16V,X7R,1005	1	SA
CR14	2203-007133	C-CER,CHIP;1000nF,10%,16V,X5R,TP,	1	SA
CR15	2203-002487	C-CER,CHIP;4.7nF,10%,25V,X7R,TP,10	1	SA
CR16	2203-000233	C-CER,CHIP;0.1nF,5%,50V,C0G,TP,100	1	SA
CR18	2203-006361	C-CER,CHIP;1000nF,10%,10V,X5R,TP,	1	SC
CR19	2203-006378	C-CER,CHIP;4700nF,10%,6.3V,X5R,TP,	1	SA
CR20	2203-006361	C-CER,CHIP;1000nF,10%,10V,X5R,TP,	1	SC
CR23	2203-007133	C-CER,CHIP;1000nF,10%,16V,X5R,TP,	1	SA
CR26	2203-006158	C-CER,CHIP;100nF,10%,16V,X7R,1005	1	SA
CR27	2203-006158	C-CER,CHIP;100nF,10%,16V,X7R,1005	1	SA
CR28	2203-006158	C-CER,CHIP;100nF,10%,16V,X7R,1005	1	SA
DR01	1405-001093	VARISTOR;14V,20A,1x0.5x0.6mm,TP	1	SNA
DR02	1405-001093	VARISTOR;14V,20A,1x0.5x0.6mm,TP	1	SNA
DR03	1405-001093	VARISTOR;14V,20A,1x0.5x0.6mm,TP	1	SNA
ICR01	AD32-00041A	SENSOR-GYRO;EWTS9CVT21,EWTS9CVT21,	1	SA
ICR02	1201-002787	IC-OP AMP;SM6661AB-G,QFN,TP,16P,2,	1	SA
LED1	0601-002391	LED;SMD,RED/GRN,1.6x1.5x0.55mm,574	1	SA
Q1	0506-001066	TR-ARRAY;UMF5,NPN/PNP,2,150mW,SC-8	1	SA
Q2	0506-001066	TR-ARRAY;UMF5,NPN/PNP,2,150mW,SC-8	1	SA
RR01	2007-000138	R-CHIP;100ohm,5%,1/16W,TP,1005	1	SA
RR02	2007-000139	R-CHIP;220ohm,5%,1/16W,TP,1005	1	SA
RR03	2007-001325	R-CHIP;3.3Kohm,5%,1/16W,TP,1005	1	SA
RR04	2007-000148	R-CHIP;10Kohm,5%,1/16W,TP,1005	1	SA
RR05	2007-000148	R-CHIP;10Kohm,5%,1/16W,TP,1005	1	SA
RR06	2007-000164	R-CHIP;150Kohm,5%,1/16W,TP,1005	1	SA
RR07	2007-008167	R-CHIP;120Kohm,1%,1/16W,TP,1005	1	SC
RR08	2007-000140	R-CHIP;1Kohm,5%,1/16W,TP,1005	1	SA
RR09	2007-000171	R-CHIP;0ohm,5%,1/16W,TP,1005	1	SA
RR10	2007-008167	R-CHIP;120Kohm,1%,1/16W,TP,1005	1	SC
RR11	2007-000164	R-CHIP;150Kohm,5%,1/16W,TP,1005	1	SA
RR12	2007-000171	R-CHIP;0ohm,5%,1/16W,TP,1005	1	SA
RR13	2007-001325	R-CHIP;3.3Kohm,5%,1/16W,TP,1005	1	SA
RR19	2007-000162	R-CHIP;100Kohm,5%,1/16W,TP,1005	1	SA

Loc.No	Part No	Description : Specification	Q'ty	S.N.A	Remark
RR20	2007-000159	R-CHIP;56Kohm,5%,1/16W,TP,1005	1	SA	
RR21	2703-002724	INDUCTOR-SMD;10uH,10%,2012	1	SA	
RR22	2007-000159	R-CHIP;56Kohm,5%,1/16W,TP,1005	1	SA	
RR23	2007-000162	R-CHIP;100Kohm,5%,1/16W,TP,1005	1	SA	
SW1	3404-001171	SWITCH-TACT;12V DC,50MA,200GF,6.6X	1	SA	

**Accessory**

C108	AD43-00196A	BATTERY;IA-BP210E,H200,Li-ion,1S	1	SA	
	AD39-00142D	CBF CABLE-COMPONENT;HMX100,8,150	1	SA	
	AD39-00169A	USB CABLE;SMX-C10,4P-5P,1200mm,0	1	SA	
	AD44-00150A	ADAPTOR;AA-MA9/EUR,EUROPE,CP2,AC	1	SA	
	AD46-00303A	SOFTWARE PACK-IB;IB,1,PAL,1,CD-R	1	SA	

**Additional Part List**

W113	6002-001085	SCREW-TAPPING;CH,+2,M1.7,L5,ZPC	4	SA	
W113	6002-001085	SCREW-TAPPING;CH,+2,M1.7,L5,ZPC	3	SA	
W127	6003-001292	SCREW-TAPTYPE;CH(0.3);+,B,M1.7,L	1	SA	
W127	6003-001292	SCREW-TAPTYPE;CH(0.3);+,B,M1.7,L	9	SA	
W128	6001-001292	SCREW-MACHINE;PH,+,M1.7,L3.0,ZPC	2	SA	
W298	6003-001508	SCREW-TAPTYPE;PH,+,B,M1.4,L3,NI	1	SA	
W320	6001-001529	SCREW-MACHINE;CH(0.3);+,M1.4,L2,	3	SA	
W371	6003-001453	SCREW-TAPTYPE;BH,+,B,M1.7,L4,ZPC	4	SA	
W371	6003-001453	SCREW-TAPTYPE;BH,+,B,M1.7,L4,ZPC	3	SA	
W371	6003-001453	SCREW-TAPTYPE;BH,+,B,M1.7,L4,ZPC	2	SA	
W371	6003-001453	SCREW-TAPTYPE;BH,+,B,M1.7,L4,ZPC	5	SA	
W371	6003-001453	SCREW-TAPTYPE;BH,+,B,M1.7,L4,ZPC	2	SA	
W371	6003-001453	SCREW-TAPTYPE;BH,+,B,M1.7,L4,ZPC	5	SA	
W377	6001-001291	SCREW-MACHINE;CH(0.5);*,-,M1.7,L	13	SA	
W377	6001-001291	SCREW-MACHINE;CH(0.5);*,-,M1.7,L	1	SA	
W377	6001-001291	SCREW-MACHINE;CH(0.5);*,-,M1.7,L	2	SA	
W398	6003-001300	SCREW-TAPTYPE;CH,+,B,M1.7,L4,ZPC	3	SA	
W421	6003-001434	SCREW-TAPTYPE;CH,+,B,M1.7,L9,ZPC	3	SA	