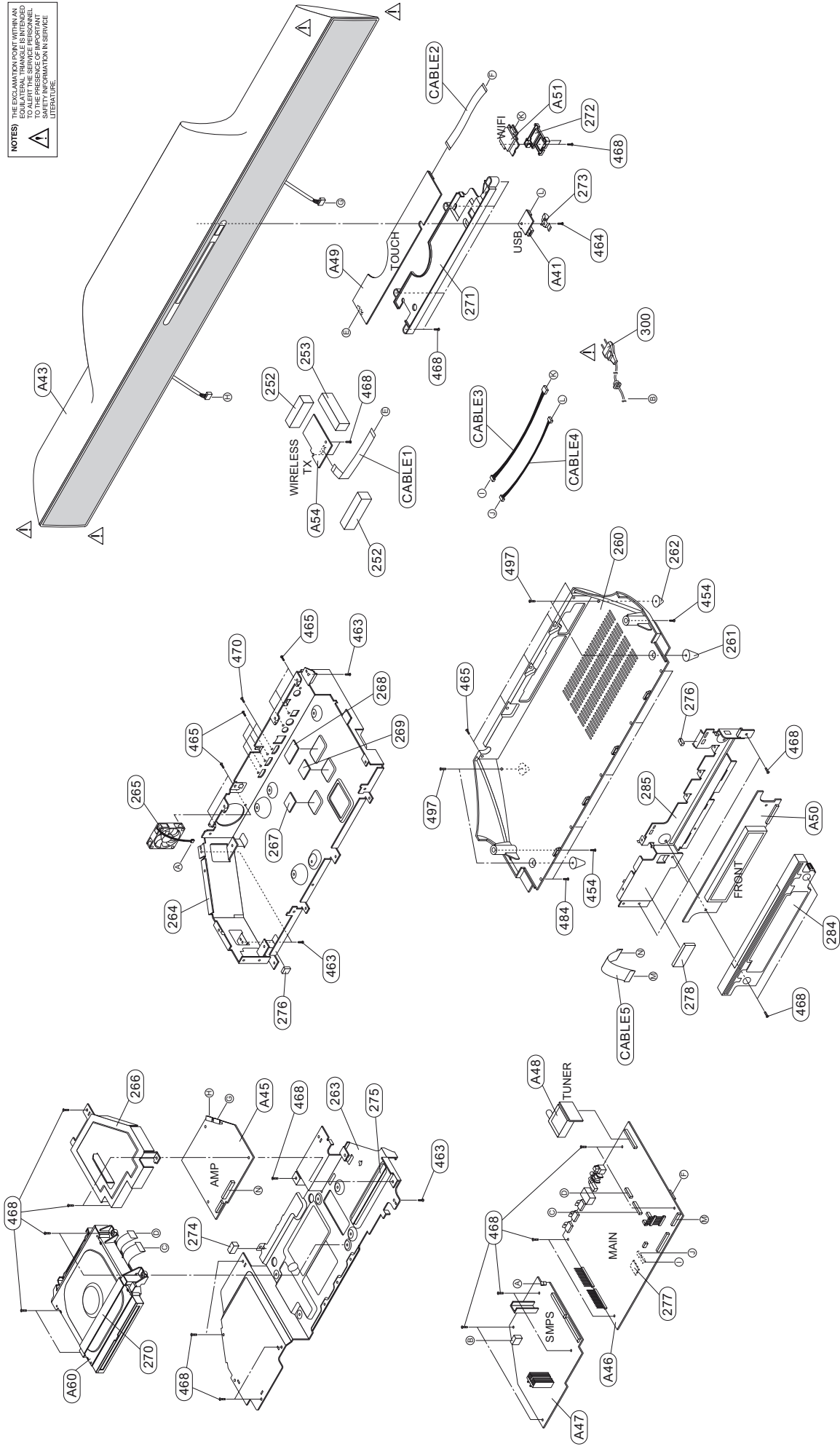
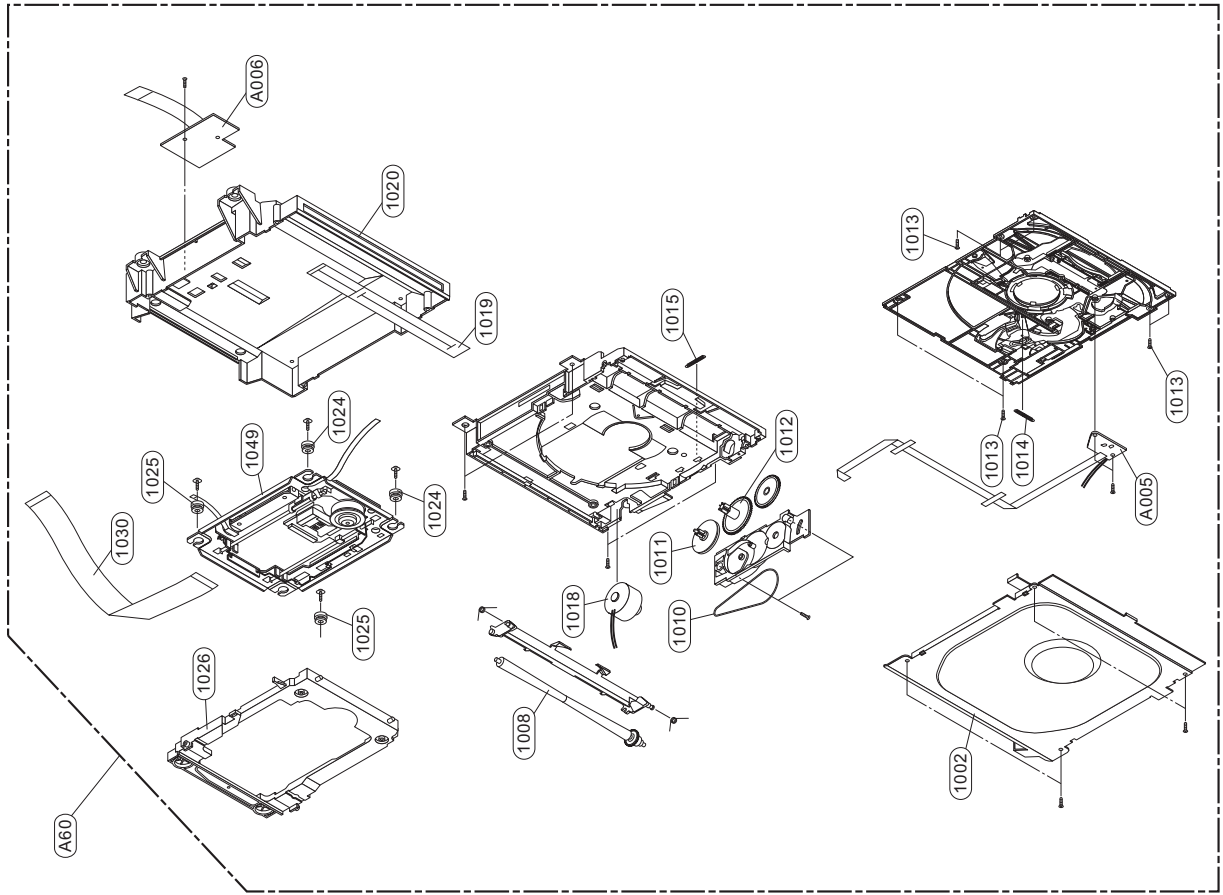


# EXPLODED VIEWS

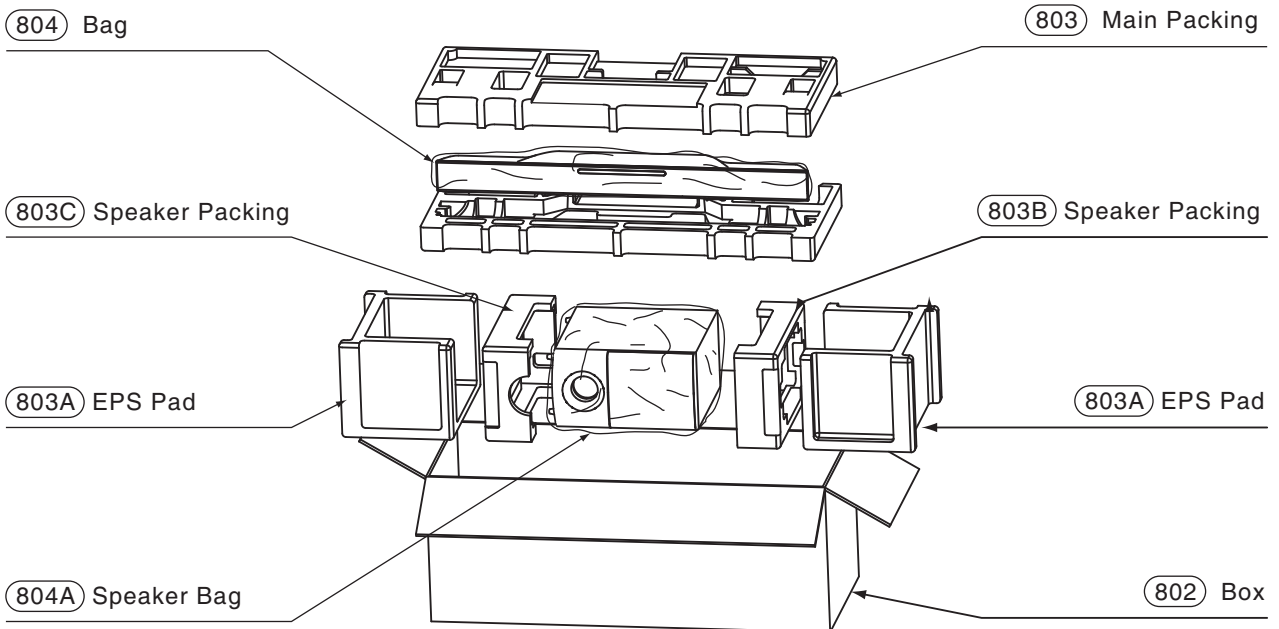
## 1. CABINET AND MAIN FRAME SECTION



## 2. DECK MECHANISM SECTION (SBP-01)



### 3. PACKING ACCESSORY SECTION



## 4. SPEAKER SECTION

- WIRELESS SUBWOOFER (SHS54-A)

