

5. REPAIR PARTS LIST

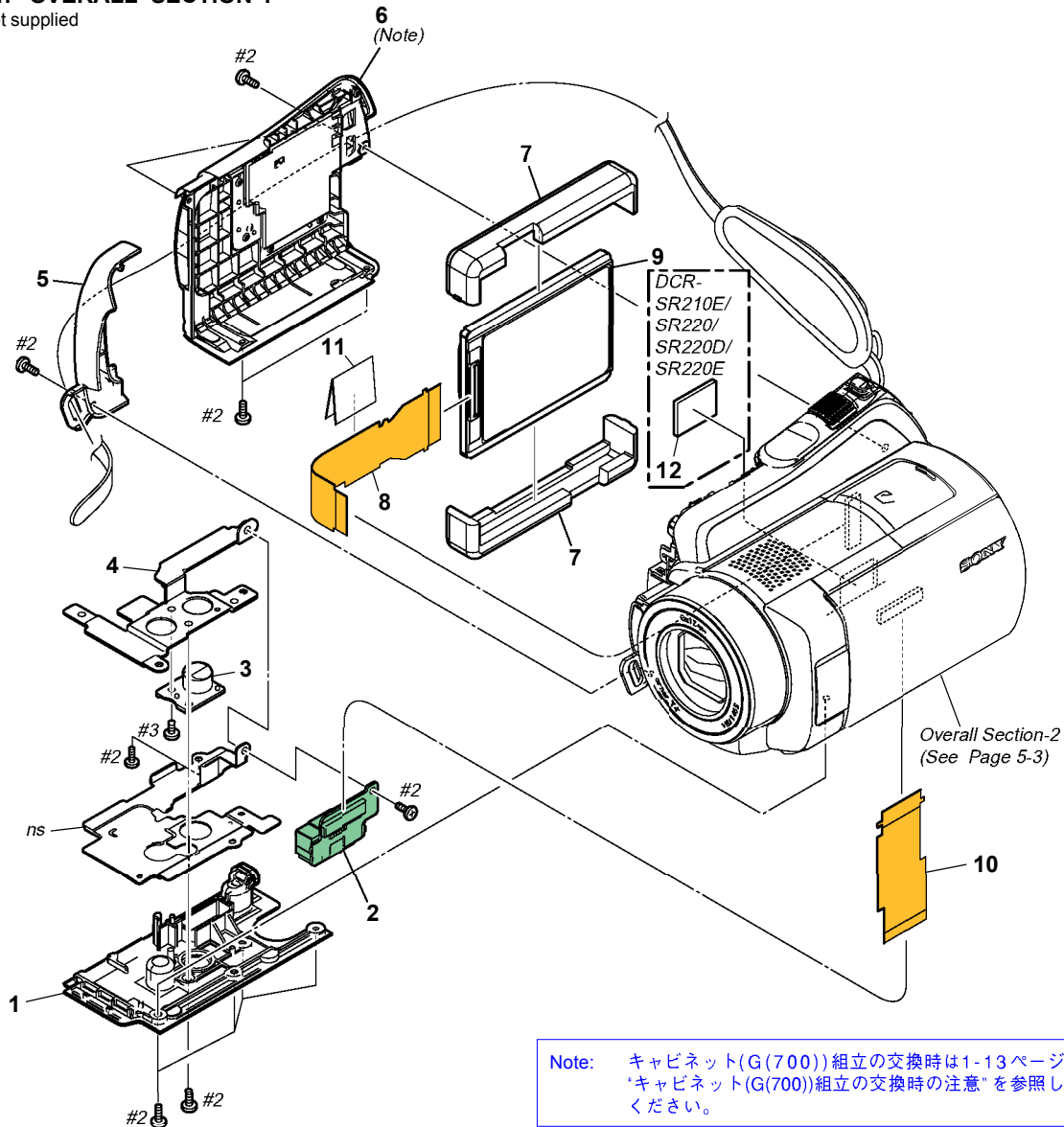
5-1. EXPLODED VIEWS

DISASSEMBLY

HARDWARE LIST

5-1-1. OVERALL SECTION-1

ns: not supplied



Note: キャビネット(G(700))組立の交換時は1-13ページの「キャビネット(G(700))組立の交換時の注意」を参照してください。

Note: Refer to page 1-13 "Precaution on replacing the Cabinet (G(700)) Assy" when changing the Cabinet (G(700)) Assy.

Ref. No.	Part No.	Description
1	X-2188-804-1	CABINET (700) ASSY, BOTTOM
2	A-1494-350-A	CR-091 BOARD, COMPLETE
3	2-664-982-01	SCREW, TRIPOD
* 4	3-290-644-01	FRAME, BOTTOM CABINET
5	3-290-675-01	LF (600), CABINET (DCR-SR210E/SR220/SR220D/SR220E)
5	X-2188-779-2	LF (700) ASSY, CABINET (HDR-SR10/SR10D/SR10E)
6	(Note)	CABINET (G(700)) ASSY
7	3-294-308-01	DAMPER (1), 08STYLE (DCR-SR210E/SR220/SR220E/HDR-SR10/SR10E)
7	3-298-143-01	DAMPER (2), 08STYLE (DCR-SR220D/HDR-SR10D)
8	1-874-967-11	FP-858 FLEXIBLE BOARD

Ref. No.	Part No.	Description
9	1-797-994-21	HDD (MK6014GAL-60GB) (DCR-SR210E/SR220/SR220E)
9	1-797-995-21	HDD (MK1214GAH-120GB) (DCR-SR220D/HDR-SR10D)
9	1-797-998-21	HDD (MK6014GAL-40GB) (HDR-SR10/SR10E)
10	1-874-805-11	FP-806 FLEXIBLE BOARD
* 11	2-890-813-01	SHEET (CK), SHIELD
* 12	2-673-770-01	GASKET (D) (DCR-SR210E/SR220/SR220D/SR220E)
#2	2-635-562-31	SCREW (M1.7) (Black)
#3	2-660-401-01	SCREW (M1.7), NEW TRU-STAR, P2 (Red)

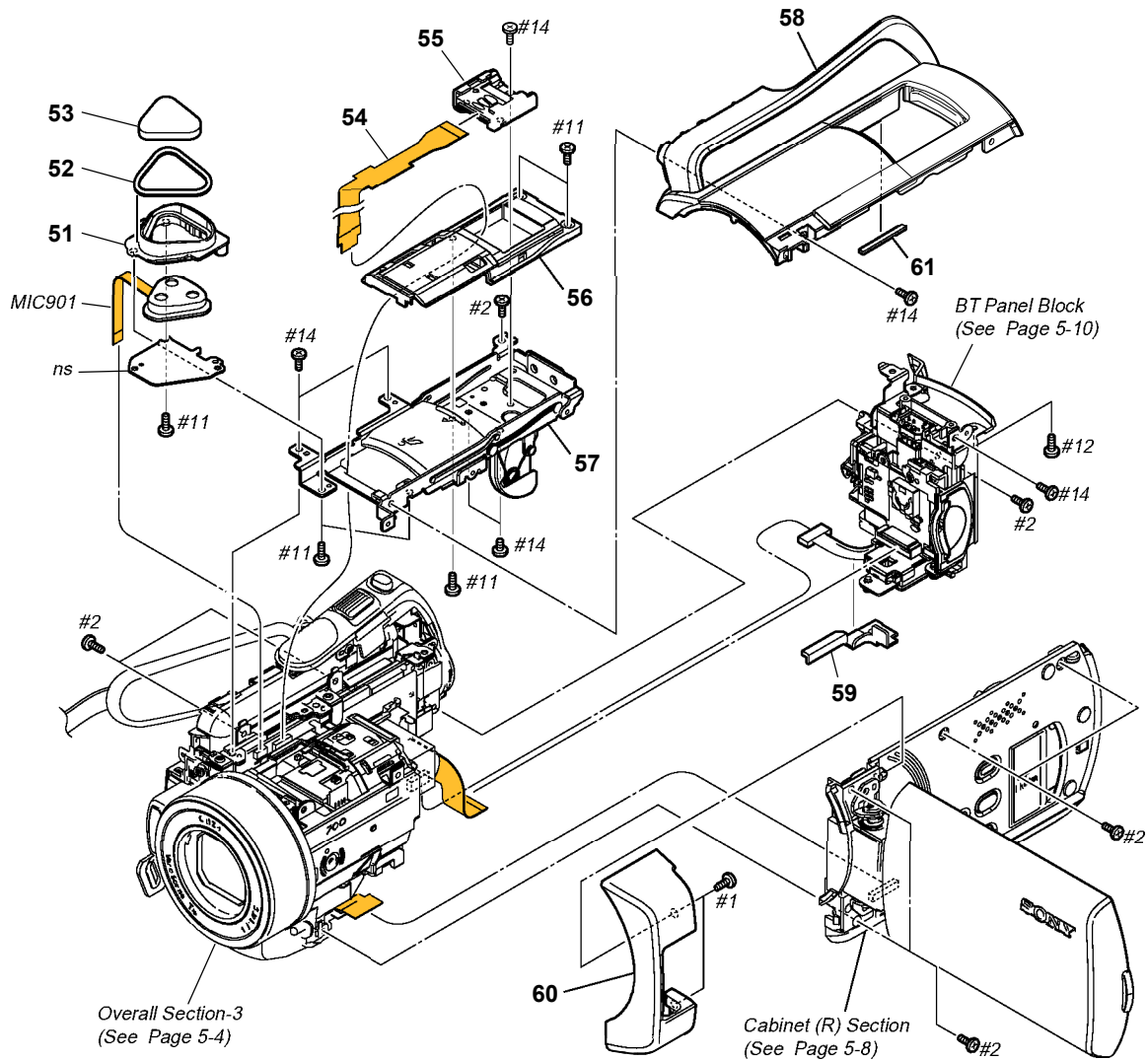
5. REPAIR PARTS LIST

5-1-2. OVERALL SECTION-2

ns: not supplied

DISASSEMBLY

HARDWARE LIST



Ref. No.	Part No.	Description
* 51	3-290-654-01	HOLDER (700), MICROPHONE
* 52	3-296-520-01	SPACER, MICROPHONE
53	3-290-653-01	SCREEN, WIND
54	1-874-965-11	FP-856 FLEXIBLE BOARD
55	1-818-890-11	CONNECTOR, EXTERNAL (HOT SHOE)
* 56	3-290-655-01	HOLDER (700), SHOE
57	X-2188-788-1	FRAME (700) ASSY, SHOE
58	X-2188-784-1	TOP (700) ASSY (HDR-SR10/SR10D/SR10E)
58	X-2188-785-1	TOP (600) ASSY (DCR-SR220/SR220D/SR220E)
58	X-2188-786-1	TOP (551) ASSY (DCR-SR210E)

Ref. No.	Part No.	Description
* 59	3-290-652-01	RETAINER, BT HARNESS
60	3-290-636-01	COVER (R (700)), HINGE (HDR-SR10/SR10D/SR10E)
60	3-290-636-11	COVER (R (700)), HINGE (DCR-SR210E/SR220/SR220D/SR220E)
61	3-870-674-01	SPACER (700), TOP
MIC901	1-542-711-31	MICROPHONE UNIT
#1	2-635-562-11	SCREW (M1.7) (Black)
#2	2-635-562-31	SCREW (M1.7) (Black)
#11	3-078-890-11	SCREW, TAPPING (Silver)
#12	3-080-204-21	SCREW, TAPPING, P2 (Black)
#14	2-599-475-11	SCREW (M1.7) (Silver)

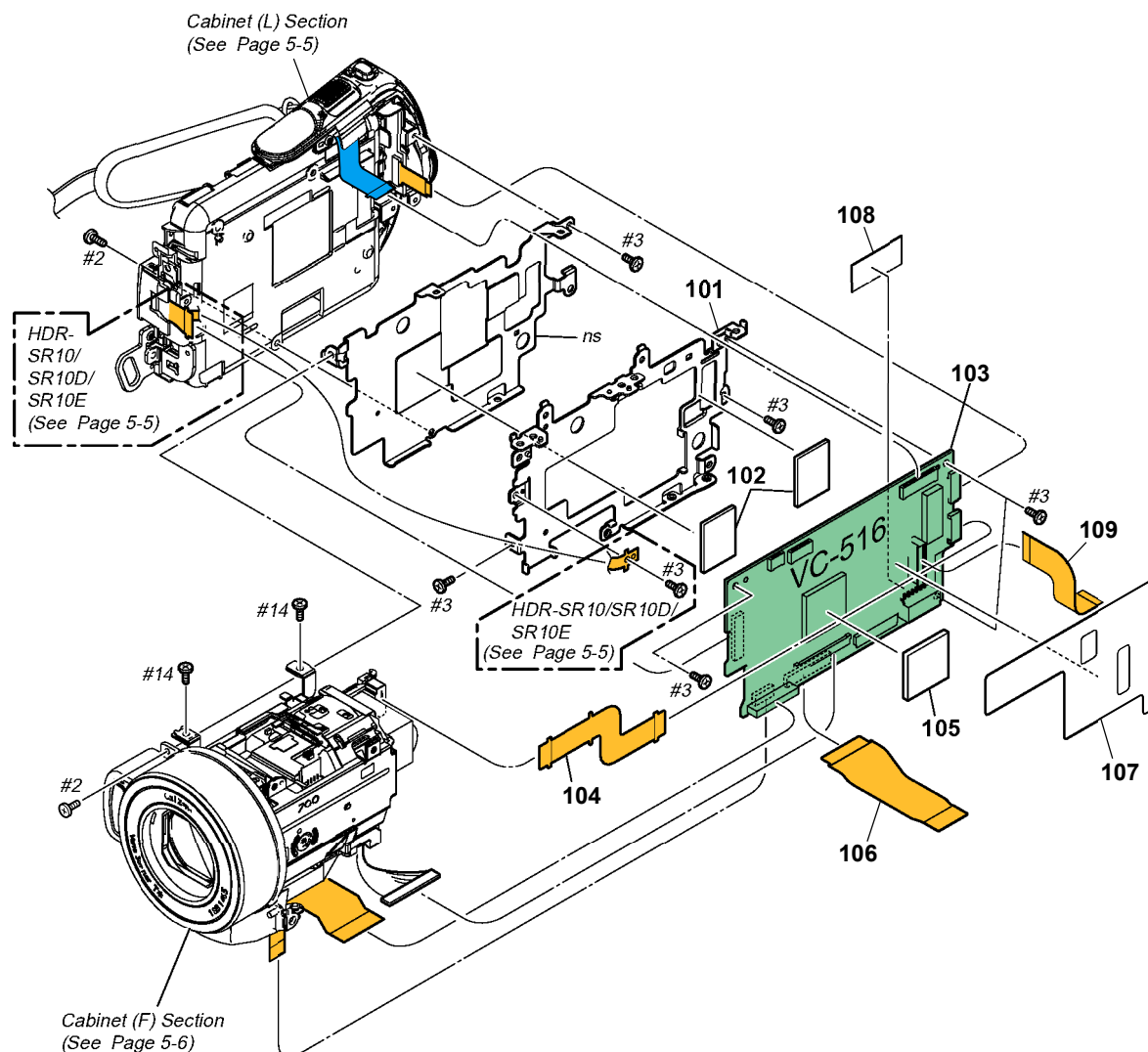
5. REPAIR PARTS LIST

5-1-3. OVERALL SECTION-3

ns: not supplied

DISASSEMBLY

HARDWARE LIST



Ref. No.	Part No.	Description	Ref. No.	Part No.	Description
101	3-290-668-01	FRAME (700), MAIN	103	A-1497-996-A	VC-516 BOARD, COMPLETE (SERVICE) (DCR-SR210E)
102	3-290-677-01	SHEET (B), VC RADIATION	104	1-874-802-11	FP-803 FLEXIBLE BOARD
103	A-1497-992-A	VC-516 BOARD, COMPLETE (SERVICE) (HDR-SR10/SR10D)	105	3-290-676-01	SHEET (A), VC RADIATION
103	A-1497-993-A	VC-516 BOARD, COMPLETE (SERVICE) (HDR-SR10E)	106	1-874-813-11	FP-814 FLEXIBLE BOARD
103	A-1497-994-A	VC-516 BOARD, COMPLETE (SERVICE) (DCR-SR220/SR220D)	* 107	3-290-678-01	LABEL, FUSE REPLACEMENT CAUTION
103	A-1497-995-A	VC-516 BOARD, COMPLETE (SERVICE) (DCR-SR220E)	* 108	3-398-042-01	SHEET (AN), SHIELD
			109	1-874-804-11	FP-805 FLEXIBLE BOARD
			#2	2-635-562-31	SCREW (M1.7) (Black)
			#3	2-660-401-01	SCREW (M1.7), NEW TRU-STAR, P2 (Red)
			#14	2-599-475-11	SCREW (M1.7) (Silver)

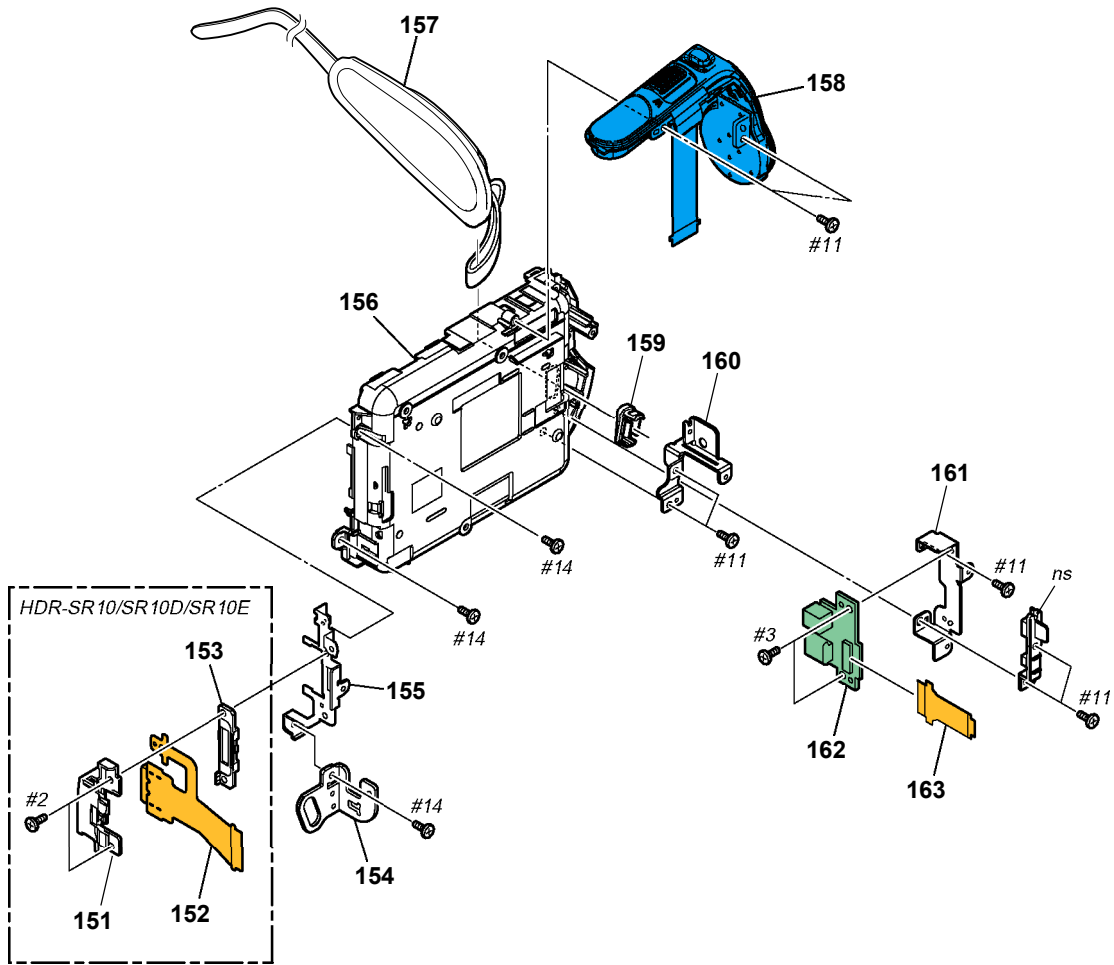
5. REPAIR PARTS LIST

5-1-4. CABINET (L) SECTION

ns: not supplied

DISASSEMBLY

HARDWARE LIST



Ref. No.	Part No.	Description
* 151	3-290-674-01	BASE (700), LFJK (HDR-SR10/SR10D/SR10E)
152	A-1494-343-A	FP-855 FLEXIBLE BOARD, COMPLETE (HDR-SR10/SR10D/SR10E)
* 153	3-296-445-01	RETAINER (700), LFJK (HDR-SR10/SR10D/SR10E)
* 154	3-290-670-01	FRAME (F (700)), STRAP
* 155	3-290-671-01	FRAME (700), LF
156	3-290-483-01	CABINET (L) (EXCEPT DCR-SR220: US: /SR220D/ HDR-SR10: US/SR10D)
156	3-290-483-03	CABINET (L) (DCR-SR220: US/SR220D/ HDR-SR10: US/SR10D)
157	2-664-928-41	BELT, GRIP

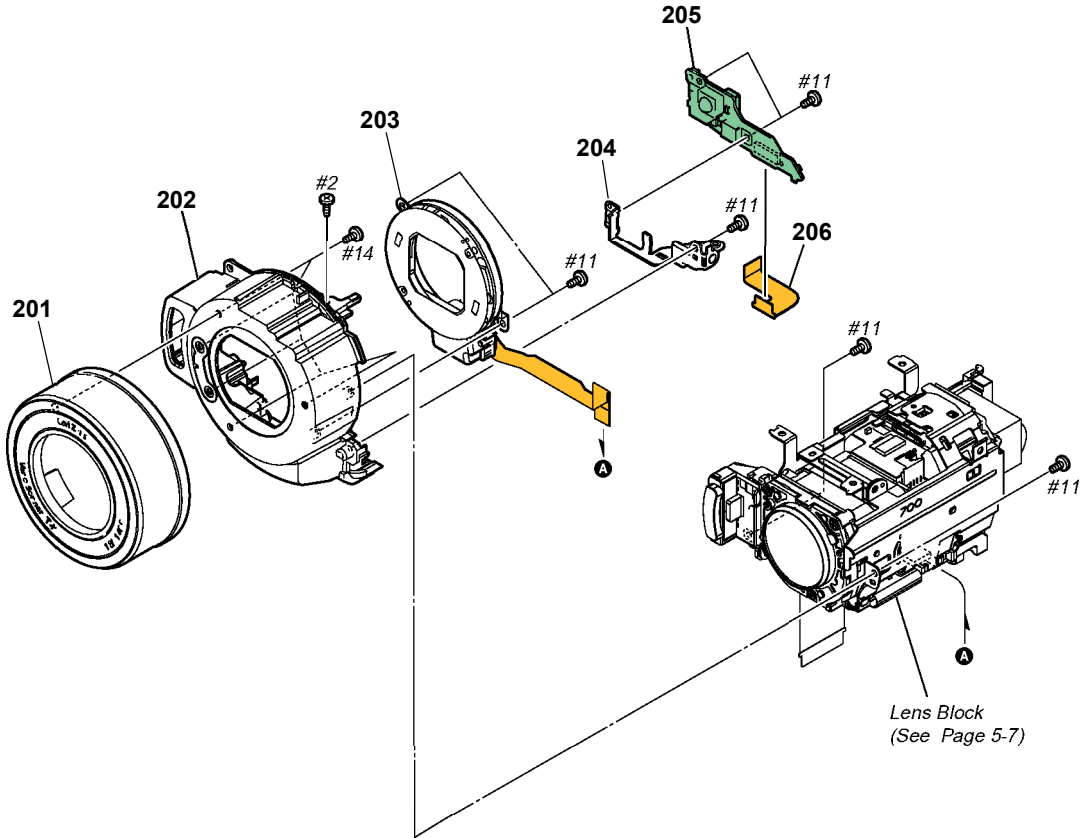
Ref. No.	Part No.	Description
158	1-480-427-31	SWITCH BLOCK, CONTROL (PS28100) (DCR-SR210E/SR220/SR220D/SR220E)
158	1-480-427-41	SWITCH BLOCK, CONTROL (PS28100) (HDR-SR10/SR10D/SR10E)
159	3-290-484-01	RETAINER, GRIP BELT
* 160	3-290-485-01	FRAME, BELT
* 161	3-290-672-01	FRAME, JK
162	A-1494-342-A	JK-366 BOARD, COMPLETE
163	1-874-803-11	FP-804 FLEXIBLE BOARD
#2	2-635-562-31	SCREW (M1.7) (Black)
#3	2-660-401-01	SCREW (M1.7), NEW TRU-STAR, P2 (Red)
#11	3-078-890-11	SCREW, TAPPING (Silver)
#14	2-599-475-11	SCREW (M1.7) (Silver)

5. REPAIR PARTS LIST

5-1-5. CABINET (F) SECTION

DISASSEMBLY

HARDWARE LIST



Ref. No.	Part No.	Description
201	3-290-658-01	RING (700), LENS
202	X-2188-781-1	CABINET (F (700)) ASSY (HDR-SR10/SR10D/SR10E)
202	X-2188-782-1	CABINET (F (600)) ASSY (DCR-SR210E/SR220/SR220D/SR220E)
203	A-1419-023-A	LENS BARRIER UNIT
* 204	3-290-659-01	FRAME (700), F

Ref. No.	Part No.	Description
205	A-1497-997-A	FR-285 BOARD, COMPLETE (SERVICE) (HDR-SR10/SR10D/SR10E)
205	A-1497-998-A	FR-285 BOARD, COMPLETE (SERVICE) (DCR-SR210E/SR220/SR220D/SR220E)
206	1-874-962-11	FP-853 FLEXIBLE BOARD
#2	2-635-562-31	SCREW (M1.7) (Black)
#11	3-078-890-11	SCREW, TAPPING (Silver)
#14	2-599-475-11	SCREW (M1.7) (Silver)

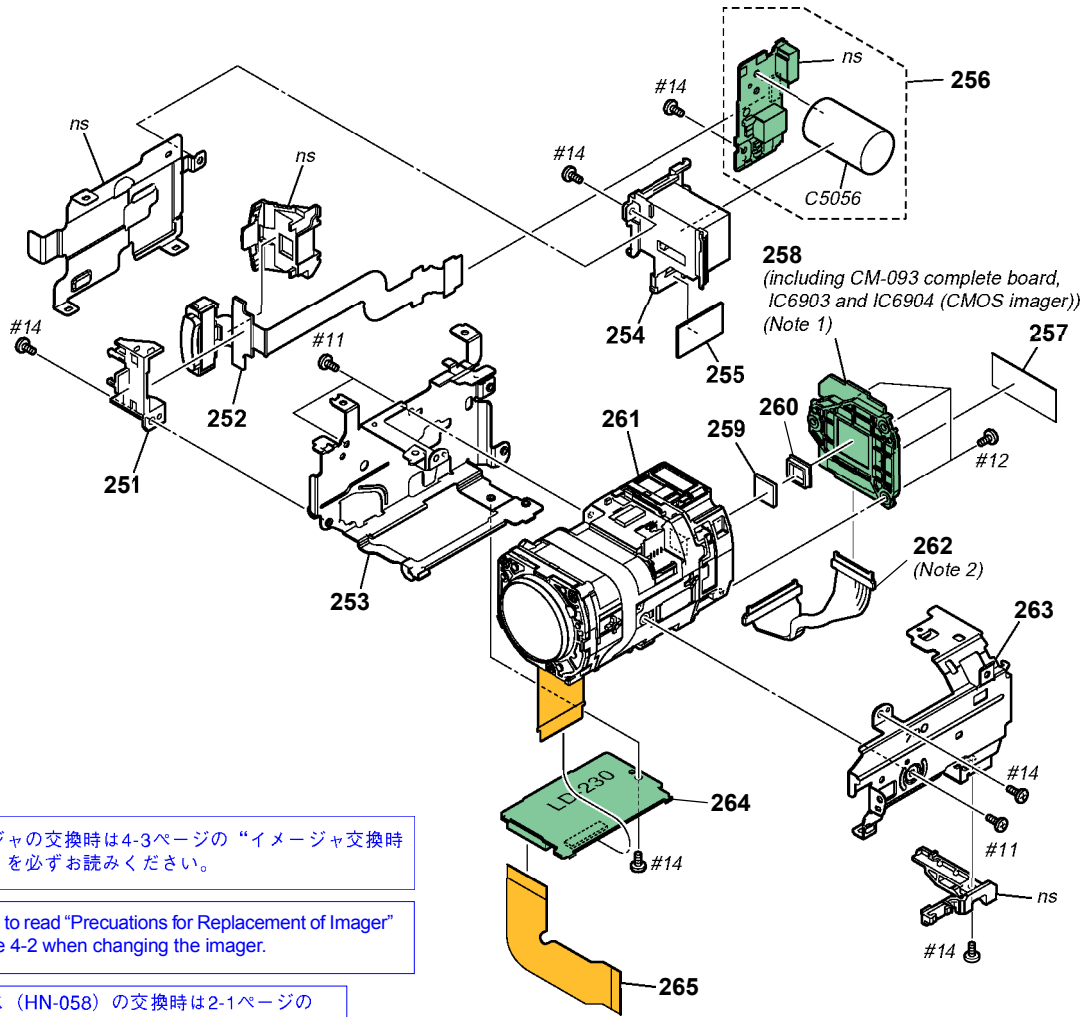
5. REPAIR PARTS LIST

5-1-6. LENS BLOCK

ns: not supplied

DISASSEMBLY

HARDWARE LIST



Note 1: イメージャの交換時は4-3ページの“イメージャ交換時の注意”を必ずお読みください。

Note 1: Be sure to read "Precautions for Replacement of Imager" on page 4-2 when changing the imager.

Note 2: ハーネス (HN-058) の交換時は2-1ページの“Note for disconnecting the harness (HN-058)”を参照してください。

Note 2: Refer to page 2-1 "Note for disconnecting the harness (HN-058)" when changing the harness (HN-058).

• Refer to page 5-1 for mark Δ .

Ref. No.	Part No.	Description
* 251	3-290-666-01	HOLDER (700), ST
Δ 252	1-480-263-41	FLASH UNIT
253	3-290-660-01	FRAME (L (700)), LENS
254	3-290-663-01	HOLDER, CAPACITOR
255	1-481-251-11	CORE, FERRITE
256	A-1494-352-A	ST-189 BOARD, COMPLETE
257	3-295-427-01	SHEET (700), CM RADIATION
258	A-1512-349-A	CMOS BLOCK ASSY (1260) (including CM-093 complete board, IC6903 and IC6904 (CMOS imager))(Note 1)
259	1-788-709-11	OPTICAL FILTER BLOCK (OFB-03-37)
260	3-217-744-01	RUBBER (1260), SEAL

Ref. No.	Part No.	Description
261	A-1497-728-A	LSV-1260A (SERVICE)
262	1-965-669-11	HARNES (HN-058) (Note 2)
263	3-290-661-01	FRAME (R (700)), LENS
264	A-1494-351-A	LD-230 BOARD, COMPLETE
265	1-874-800-11	FP-801 FLEXIBLE BOARD
* Δ C5056	1-114-393-11	ELECT 70uF 99% 330V
#11	3-078-890-11	SCREW, TAPPING (Silver)
#12	3-080-204-21	SCREW, TAPPING, P2 (Black)
#14	2-599-475-11	SCREW (M1.7) (Silver)

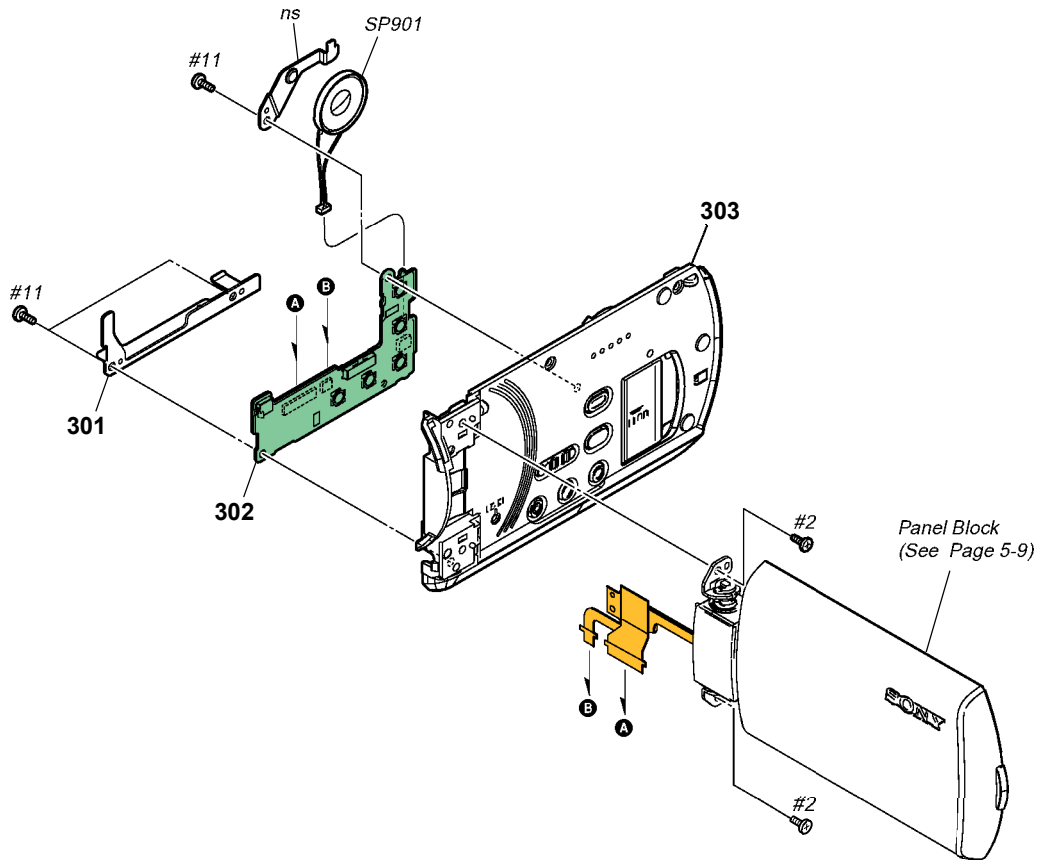
5. REPAIR PARTS LIST

5-1-7. CABINET (R) SECTION

ns: not supplied

DISASSEMBLY

HARDWARE LIST



Ref. No.	Part No.	Description
* 301	3-290-640-01	FRAME (700), CK
302	A-1494-347-A	CK-196 BOARD, COMPLETE
303	X-2188-806-1	CABINET (R (700)) ASSY

Ref. No.	Part No.	Description
SP901	1-825-262-82	LOUD SPEAKER (1.6CM)
#2	2-635-562-31	SCREW (M1.7) (Black)
#11	3-078-890-11	SCREW, TAPPING (Silver)

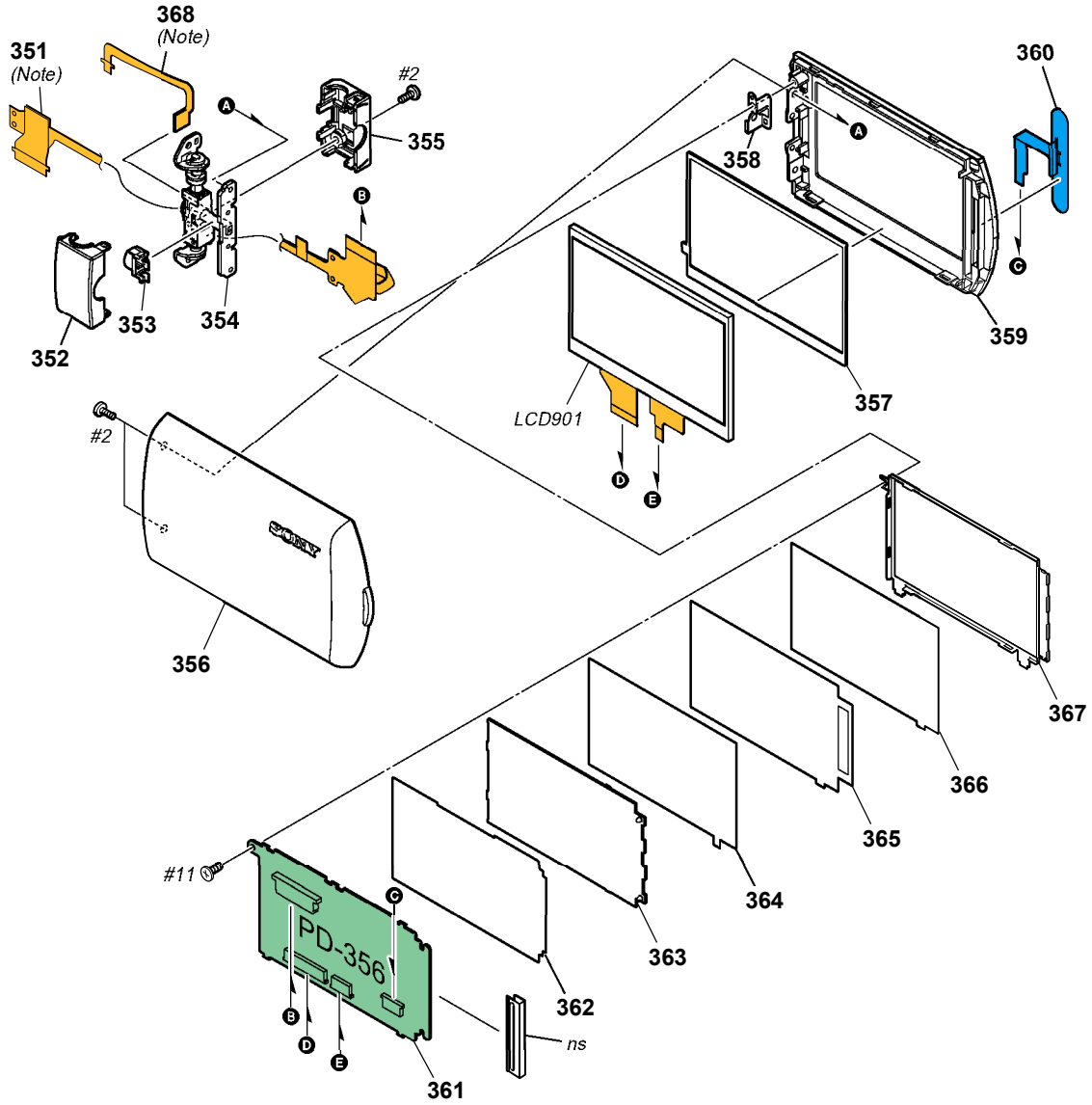
5. REPAIR PARTS LIST

5-1-8. PANEL BLOCK

ns: not supplied

DISASSEMBLY

HARDWARE LIST



Note: FP-659, FP-854フレキシブル基板取付時は「HELP11」を必ずお読みください。

Note: Be sure to read "HELP11" when you install the FP-659, FP-854 flexible boards.

Ref. No.	Part No.	Description
351	1-871-774-11	FP-659 FLEXIBLE BOARD (Note)
352	3-290-637-01	COVER (O (700)), HINGE (HDR-SR10/SR10D/SR10E)
352	3-290-637-11	COVER (O (700)), HINGE (DCR-SR210E/SR220/SR220D/SR220E)
353	2-668-087-01	CLAMP, FLEXIBLE
354	X-2188-805-1	HINGE (NC), 08 STYLE ASSY
355	3-290-638-02	COVER (U (700)), HINGE
356	X-2188-807-1	CABINET (C (700)) ASSY, P (HDR-SR10/SR10D/SR10E)
356	X-2188-808-1	CABINET (C (600)) ASSY, P (DCR-SR210E/SR220/SR220D/SR220E)
* 357	3-290-642-01	CUSHION (700), TP
* 358	3-290-639-01	PLATE (700), P GROUND

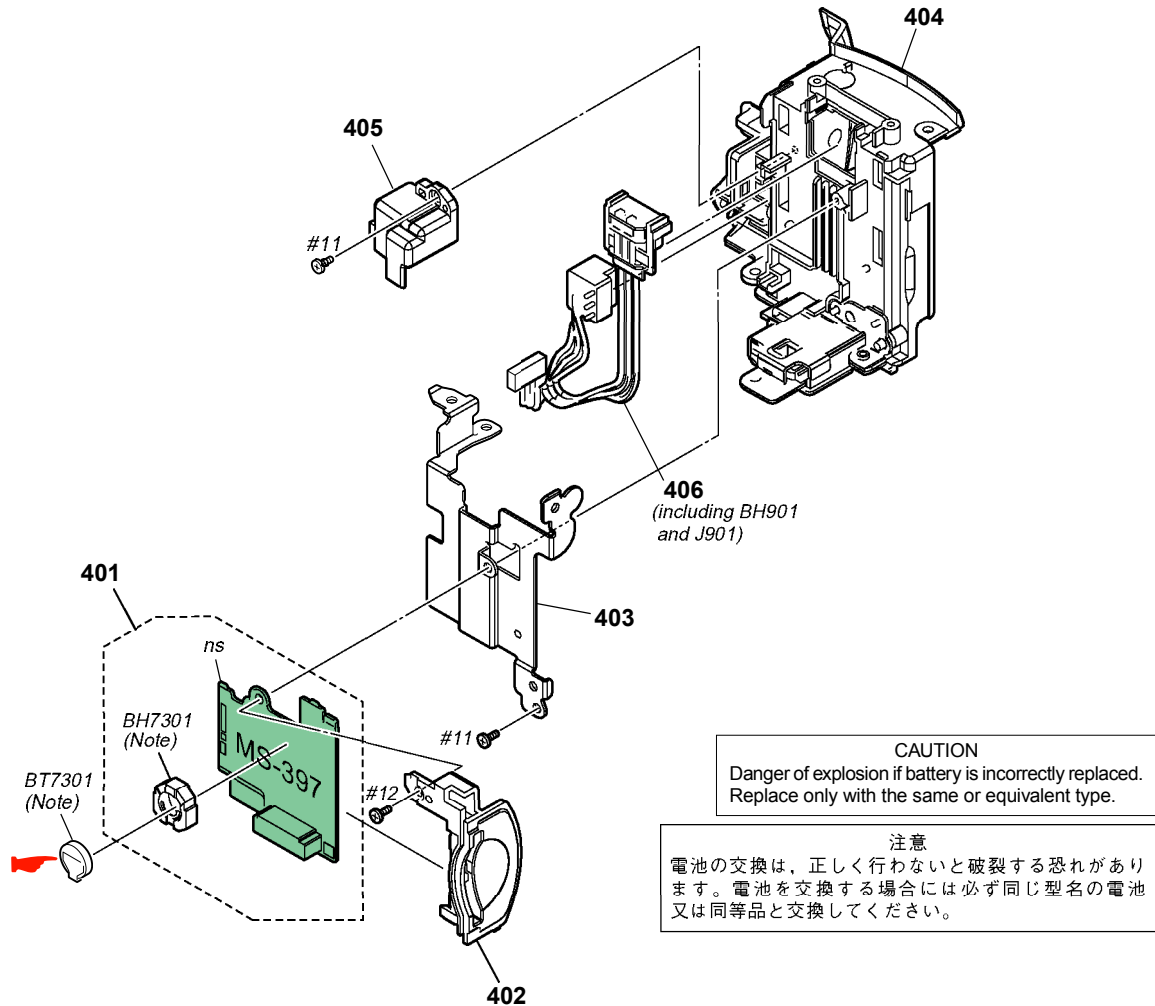
Ref. No.	Part No.	Description
359	3-290-635-01	CABINET (M (700)), P
360	1-479-926-11	SWITCH BLOCK, CONTROL (SB22100)
361	A-1494-349-A	PD-356 BOARD, COMPLETE
362	2-694-515-01	REFLECTION SHEET (2.7)
363	2-666-801-01	LIGHT GUIDE (2.7)
364	2-694-514-01	DIFFUSION SHEET (2.7)
365	2-694-513-01	PRISM SHEET H (2.7)
366	2-694-512-01	PRISM SHEET V (2.7)
367	2-694-516-01	FRONT FRAME (2.7)
368	A-1494-348-A	FP-854 FLEXIBLE BOARD, COMPLETE (Note)
LCD901	A-1202-058-A	TP BLOCK ASSY (27ESHMG07)
#2	2-635-562-31	SCREW (M1.7) (Black)
#11	3-078-890-11	SCREW, TAPPING (Silver)

5. REPAIR PARTS LIST

5-1-9. BT PANEL BLOCK


ns: not supplied

HARDWARE LIST



CAUTION
Danger of explosion if battery is incorrectly replaced.
Replace only with the same or equivalent type.

注意
電池の交換は、正しく行わないと破裂する恐れがあります。
電池を交換する場合には必ず同じ型名の電池
又は同等品と交換してください。

 : BT7301 (LITHIUM STORAGE BATTERY)
Board on the mount position.
(See page 4-50.)

Note: MS-397基板のリチウム蓄電池 (BT7301) を交換する場合はバッテリーホルダ (BH7301) も同時に新品に交換して下さい。(一度使用したバッテリーホルダは再使用できません。)
部品取り付けの際は、先にバッテリーホルダを取り付けてからリチウム電池を装着して下さい。

Note: Replace the battery holder (BH7301) together when replacing the lithium storage battery (BT7301) on the MS-397 board. (The battery holder removed once cannot be used again.)
When mounting these parts, mount new battery holder first and attach new lithium battery next.

• Refer to page 5-1 for mark △.

Ref. No.	Part No.	Description
401	A-1494-344-A	MS-397 BOARD, COMPLETE
402	3-290-650-01	CABINET, MS
* 403	3-290-649-01	FRAME (700), BT TERMINAL
404	X-2188-803-1	PANEL (700) ASSY, BT
* 405	3-290-651-01	RETAINER, DCIN

Ref. No.	Part No.	Description
△ 406	1-821-575-21	DC JACK (including BH901 and J901)
△*BH7301	1-756-615-51	HOLDER, BATTERY (Note)
△ BT7301	1-756-134-12	BATTERY, STORAGE, LITHIUM (Note)
#11	3-078-890-11	SCREW, TAPPING (Silver)
#12	3-080-204-21	SCREW, TAPPING, P2 (Black)