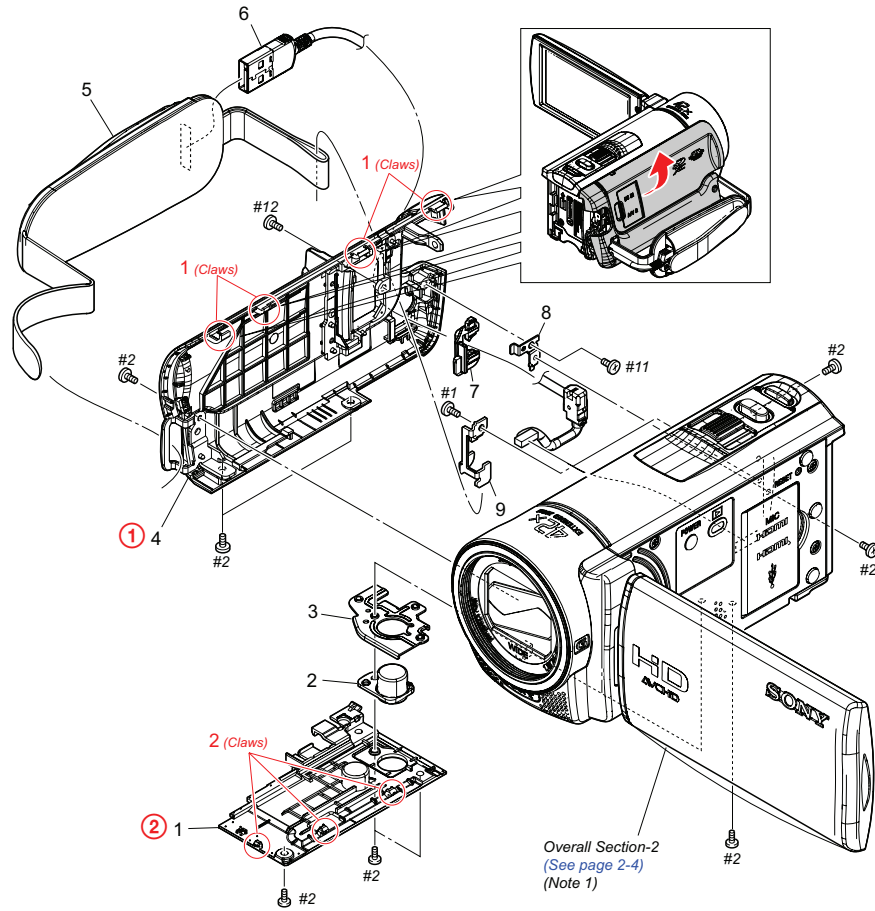


2-1. EXPLODED VIEWS

2-1-1. REAR SECTION



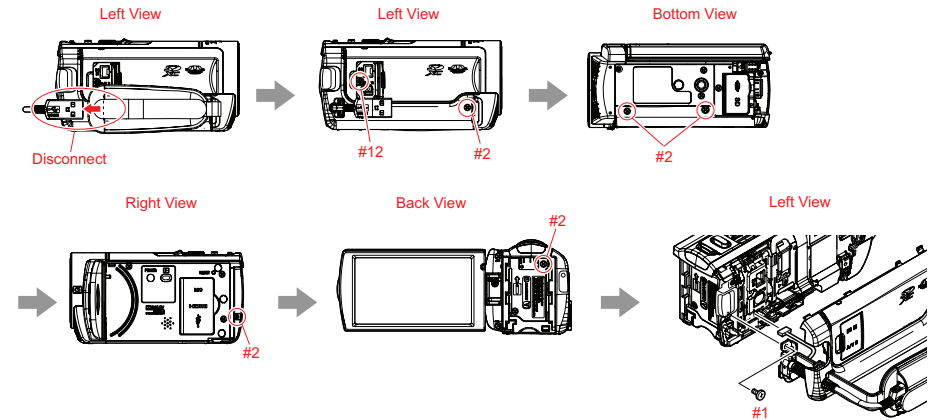
Ref. No.	Part No.	Description
1	4-265-543-01	CABINET (BM (365))
2	3-283-643-01	SCREW, TRIPOD
3	4-265-542-01	RETAINER, TRIPOD
4	A-1806-976-A	CABINET (L) ASSY (370 BK) (BLACK)
4	A-1806-977-A	CABINET (L) ASSY (370 SL) (SILVER)
4	A-1806-978-A	CABINET (L) ASSY (370 BL) (BLUE)
4	A-1806-979-A	CABINET (L) ASSY (370 RD) (RED)
4	A-1814-371-A	CABINET (L) ASSY (370 DBL) (BBY BLUE)
5	4-265-549-01	BELT (K), 11 TYPE GRIP (BLACK, SILVER, BBY BLUE)
5	4-265-548-11	BELT (A), 11 TYPE GRIP (BLUE)

Ref. No.	Part No.	Description
5	4-265-548-21	BELT (A), 11 TYPE GRIP (RED)
6	1-838-712-11	CABLE, BUILT-IN USB
7	4-265-544-01	GUARD (365), BELT
8	4-265-545-01	SHEET METAL (365), CONNECT
9	4-265-546-01	SHEET METAL (R (365)), BELT
#1	2-635-562-11	SCREW (M1.7)
#2	2-635-562-31	SCREW (M1.7)
#11	3-078-890-11	SCREW, TAPPING
#12	3-080-204-21	SCREW, TAPPING, P2

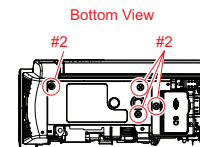
DISASSEMBLY

1. Remove to numerical order (① to ②) in the left figure.

① Disconnect → #12 X 1 → #2 X 5 → #1 X 1



② #2 X 4



Screw

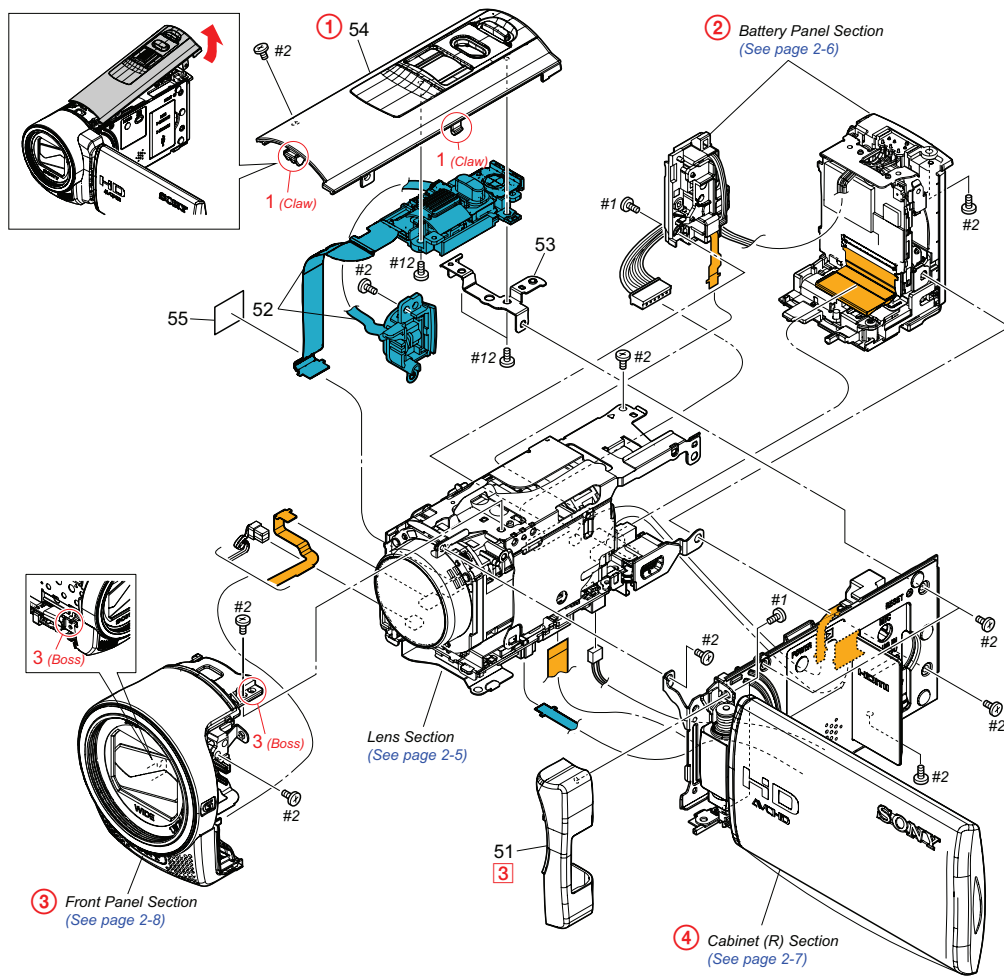
#1: M1.7 X 2.5 (Black) 2-635-562-11	#2: M1.7 X 4.0 (Black) 2-635-562-31	#11: M1.7 X 4.0 (Tapping) (Silver) 3-078-890-11	#12: M1.7 X 5.0 (Tapping) (Black) 3-080-204-21

Note

Note 1: Refer to "Assembly-1: Installation Cautions of the USB Harness and the DC Jack Harness".

Note 1: "Assembly-1: Installation Cautions of the USB Harness and the DC Jack Harness."を参照してください。

2-1-2. OVERALL SECTION-2



Ref. No.	Part No.	Description
51	4-272-049-01	COVER (R (370)), HINGE (BLACK)
51	4-272-049-11	COVER (R (370)), HINGE (SILVER)
51	4-272-049-21	COVER (R (370)), HINGE (BLUE)
51	4-272-049-31	COVER (R (370)), HINGE (RED)
51	4-272-049-41	COVER (R (370)), HINGE (BBY BLUE)
52	1-489-299-11	SWITCH BLOCK, CONTROL (PS36500)
53	4-264-349-01	SHEET METAL (365), TOP
54	A-1807-684-A	CABINET (TOP) ASSY (370 BK) (BLACK)
54	A-1807-685-A	CABINET (TOP) ASSY (370 SL) (SILVER)
54	A-1807-686-A	CABINET (TOP) ASSY (370 BL) (BLUE)

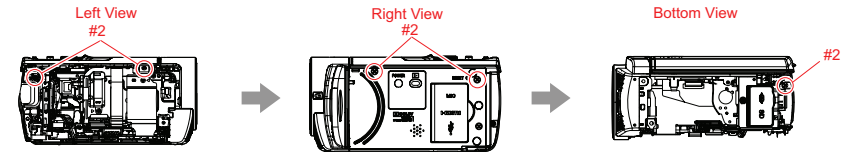
Ref. No.	Part No.	Description
54	A-1807-687-A	CABINET (TOP) ASSY (370 RD) (RED)
54	A-1814-485-A	CABINET (TOP) ASSY (370 DBL) (BBY BLUE)
55	4-283-123-01	SHEET, PS
#1	2-635-562-11	SCREW (M1.7)
#2	2-635-562-31	SCREW (M1.7)
#12	3-080-204-21	SCREW, TAPPING, P2

HDR-CX130/CX130E/CX160/CX160E/CX180/CX180E_L2

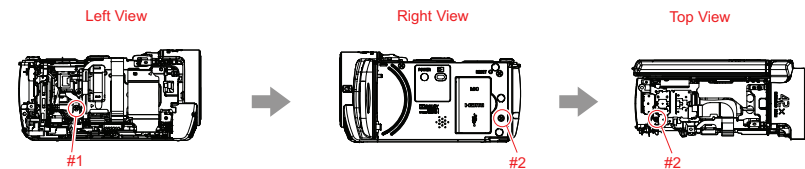
DISASSEMBLY

1. Remove to numerical order (① to ④) in the left figure.

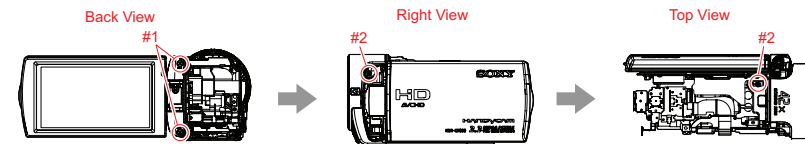
① #2 X 5



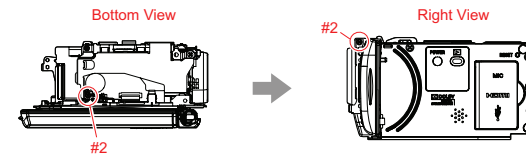
② #1 X 1 → #2 X 2



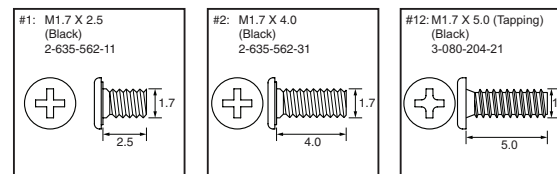
③ #1 X 2 → (③) Hinge Cover (R (370)) → #2 X 2



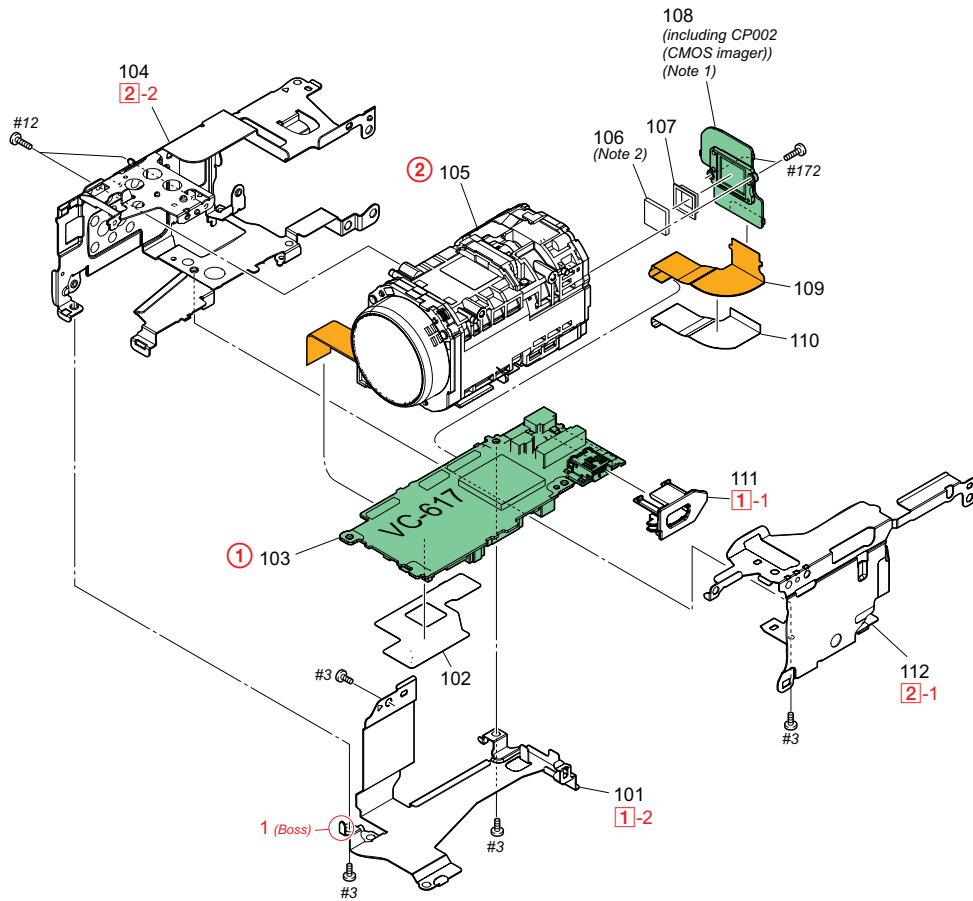
④ #2 X 2



Screw



2-1-3. LENS SECTION



Ref. No.	Part No.	Description
101	4-272-052-01	HEAT SINK (BM (370))
102	4-272-051-01	LABEL (370), CAUTION
103	A-1817-415-A	VC-617 BOARD, COMPLETE (SERVICE) (CX130/CX130E)
103	A-1817-417-A	VC-617 BOARD, COMPLETE (SERVICE) (CX160/CX160E/CX180/CX180E)
104	4-272-124-01	FRAME (370), MAIN
105	A-1781-268-A	SERVICE, LSV-1450A
106	1-856-163-21	OPTICAL FILTER BLOCK (OFB-05-10) (Note 2)
107	4-268-482-01	RUBBER (1450), SEAL
108	A-1822-825-A	CM-114 BOARD, COMPLETE (including CP002 (CMOS imager)) (Note 1)
109	1-882-737-11	FP-1314 FLEXIBLE BOARD

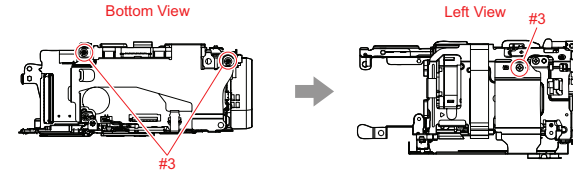
Ref. No.	Part No.	Description
110	4-272-123-01	SHEET (CM), SHIELD
111	4-265-539-01	HOLDER, USB
112	4-274-113-01	HEAT SINK (VC (370))
#3	2-660-401-01	SCREW (M1.7), NEW TRU-STAR, P2
#12	3-080-204-21	SCREW, TAPPING, P2
#172	2-178-410-01	TITE (UB TITE) 1.4

HDR-CX130/CX130E/CX160/CX160E/CX180/CX180E_L2

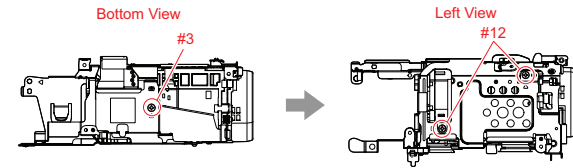
DISASSEMBLY

1. Remove to numerical order (① to ②) in the left figure.

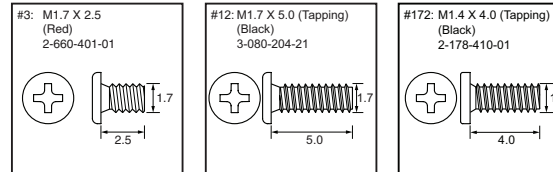
① (①-1) USB Holder → #3 X 3 → (①-2) Heat Sink (BM (370))



② #3 X 1 → (②-1) Heat Sink (VC (370)) → #12 X 2 → (②-2) Main Frame (370)



Screw



Note

Note 1: Be sure to read "Precautions for Replacement of Imager" on page 6-1 of Level3 when changing the imager.

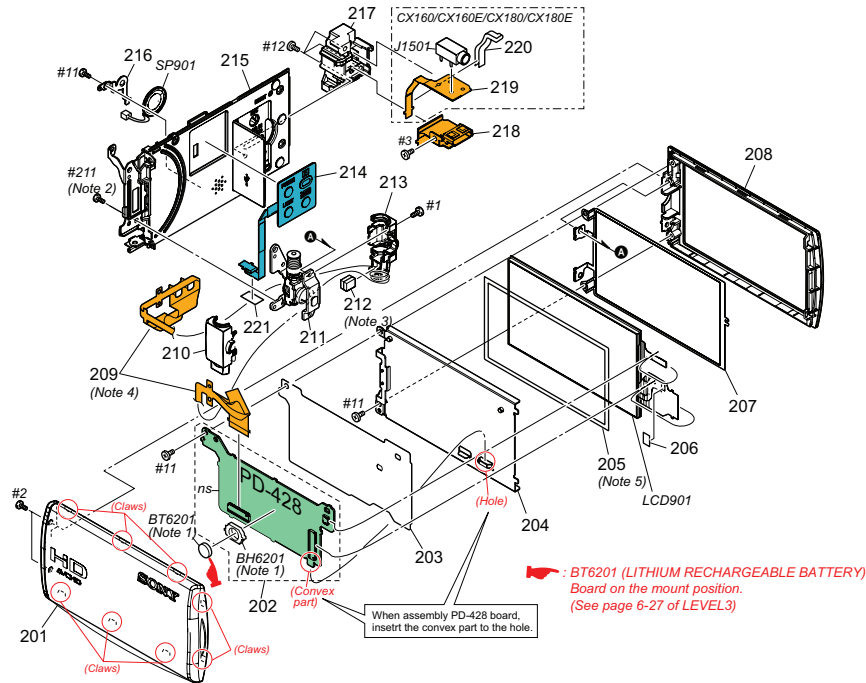
Note 1: イメージャの交換時はLevel3の6-1ページ、「イメージャ交換時の注意」を必ずお読みください。

Note 2: Refer to "Assembly-2: How to distinguish the side of Optical Filter Block facing to Lens Device".

Note 2: "Assembly-2: How to distinguish the side of Optical Filter Block facing to Lens Device"を参照してください。

2-1-5. CABINET (R) SECTION

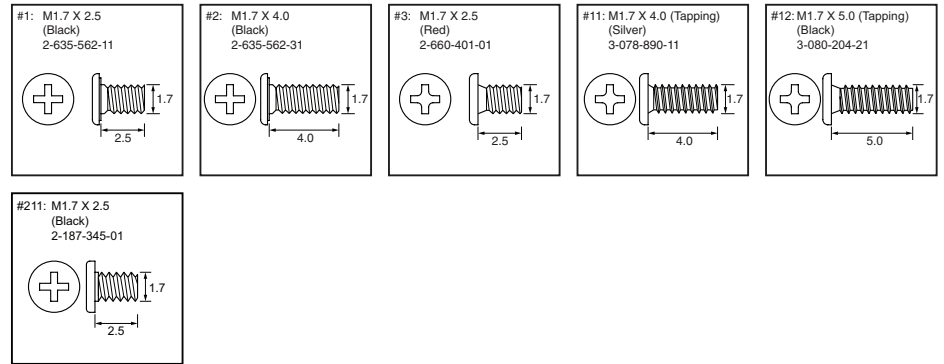
ns: not supplied



Ref. No.	Part No.	Description
201	A-1807-688-A	CABINET (C130) ASSY (370 BK), P (CX130/CX130E: BLACK)
201	A-1807-689-A	CABINET (C130) ASSY (370 SL), P (CX130/CX130E: SILVER)
201	A-1807-690-A	CABINET (C130) ASSY (370 BL), P (CX130/CX130E: BLUE)
201	A-1807-691-A	CABINET (C130) ASSY (370 RD), P (CX130/CX130E: RED)
201	A-1807-692-A	CABINET (C180) ASSY (370 BK), P (CX180/CX180E: BLACK)
201	A-1807-693-A	CABINET (C180) ASSY (370 SL), P (CX180/CX180E: SILVER)
201	A-1807-694-A	CABINET (C180) ASSY (370 BL), P (CX180/CX180E: BLUE)
201	A-1807-695-A	CABINET (C180) ASSY (370 RD), P (CX180/CX180E: RED)
201	A-1807-696-A	CABINET (C160) ASSY (370 BK), P (CX160/CX160E: BLACK)
201	A-1814-374-A	CABINET (C160) ASSY (370 DBL) (BBY BLUE)
202	A-1803-969-A	PD-428 BOARD, COMPLETE
203	4-265-594-01	INSULATING SHEET (PD (365))
204	4-265-595-01	RETAINER, LCD
205	4-265-598-01	CUSHION, LCD (Note 5)
206	4-265-596-01	SHEET (BL)
207	4-265-593-01	PLATE (P), GROUND
208	4-270-234-01	CABINET (M (370)), P
209	1-882-731-11	FP-1308 FLEXIBLE BOARD (Note 4)
210	4-270-235-01	COVER (O (370)), HINGE (BLACK)
210	4-270-235-11	COVER (O (370)), HINGE (SILVER)
210	4-270-235-21	COVER (O (370)), HINGE (BLUE)
210	4-270-235-31	COVER (O (370)), HINGE (RED)
210	4-270-235-41	COVER (O (370)), HINGE (BBY BLUE)
211	X-2960-826-1	HINGE M(A) ASSY, T STYLE
212	1-471-573-11	MAGNET (Note 3)

Ref. No.	Part No.	Description
213	4-270-236-01	COVER (U (370)), HINGE
214	1-489-381-21	SWITCH BLOCK, CONTROL (SK37000)
215	A-1807-459-A	CABINET (R) ASSY (370) (CX130/CX130E)
215	A-1807-460-A	CABINET (R) ASSY (370) (M) (CX160/CX160E/CX180/CX180E)
216	4-265-591-01	SHEET METAL, SP
217	4-272-058-01	RETAINER (R (370)), JACK
218	A-1818-316-A	FP-1353 FLEXIBLE BOARD, COMPLETE
219	1-882-733-11	FP-1310 FLEXIBLE BOARD (CX160/CX160E/CX180/CX180E)
220	4-275-003-01	SHEET (MC), SHIELD (CX160/CX160E/CX180/CX180E)
221	4-281-987-01	SHEET (SK)
△ BT6201	1-756-134-12	BATTERY, LITHIUM (SECONDARY) (Note 1)
△ BH6201	1-251-928-21	SOCKET, BATTERY (Note 1)
J1501	1-691-737-42	JACK (SMALL TYPE) (CX160/CX160E/CX180/CX180E)
LCD901	A-1814-240-A	LCD BLOCK ASSY (SZ814B)
SP901	1-826-837-71	SPEAKER (1.3CM)
#1	2-635-562-11	SCREW (M1.7)
#2	2-635-562-31	SCREW (M1.7)
#3	2-660-401-01	SCREW (M1.7), NEW TRU-STAR, P2
#11	3-078-890-11	SCREW, TAPPING
#12	3-080-204-21	SCREW, TAPPING, P2
#211	2-187-345-01	SCREW (M1.7), P2 (Note 2)

Screw



Note

Caution:
 Danger of explosion if battery is incorrectly replaced.
 Replace only with the same or equivalent type.
 Dispose of used batteries according to the instructions.

注意:
 電池の交換は、正しく行わないと破裂する恐れがあります。
 電池を交換する場合には必ず同じ型名の電池又は同等品と交換してください。
 使用済み電池は、取扱指示に従って処分してください。

Note 1: Replace the battery holder (BH6201) together when replacing the lithium storage battery (BT6201) on the PD-428 board. (The battery holder removed once cannot be used again.)
 When mounting these parts, mount new battery holder first and attach new lithium storage battery next.

Note 1: PD-428基板のリチウム蓄電池 (BT6201) を交換する場合はバッテリーホルダ (BH6201) も同時に新品に交換してください。
 (一度使用したバッテリーホルダは再使用できません。)
 部品取り付けの際は、先にバッテリーホルダを取り付けてからリチウム蓄電池を装着してください。

Note 2: This screw cannot be re-used. discard the screw removed once in servicing.
 In-stead, use a new screw.

Note 2: このねじは再利用することができません。
 サービス対応時に一度でも外した場合は新品のねじと交換してください。

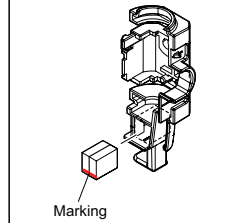
Note 4: Refer to "Assembly-4: The Method of attachment of FP-1308 Flexible Board."

Note 4: "Assembly-4: The Method of attachment of FP-1308 Flexible Board."を参照してください。

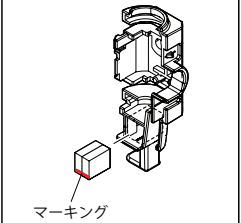
Note 5: Refer to "Assembly-5: Installation Cautions of LCD Cushion."

Note 5: "Assembly-5: Installation Cautions of LCD Cushion."を参照してください。

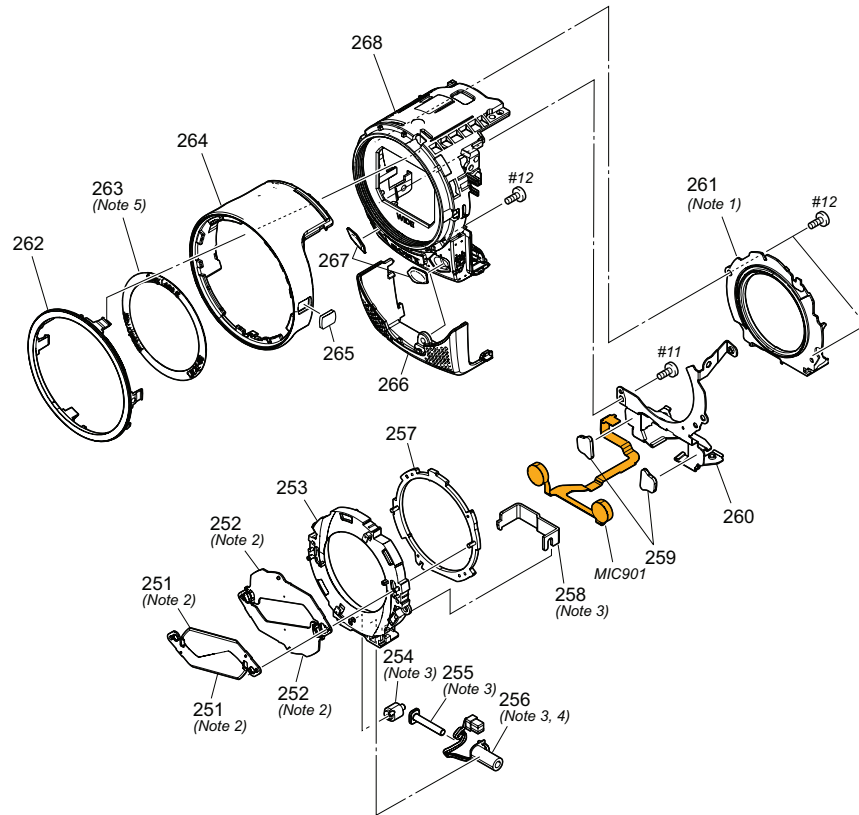
Note 3: Put the marking side together on the position of figure when you install the magnet.



Note 3: マグネットを取付ける際は、マーキング面を図の位置にあわせてください。



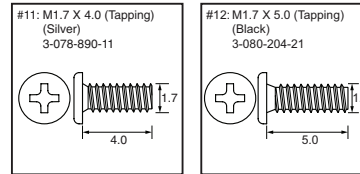
2-1-6. FRONT PANEL SECTION



Ref. No.	Part No.	Description
251	4-269-133-01	COVER (A) (Note 2)
252	4-269-134-01	COVER (B) (Note 2)
253	4-269-131-01	BASE
254	1-471-579-11	MAGNET (Note 3)
255	4-269-135-01	YOKE, COIL (Note 3)
256	1-457-901-12	COIL (Note 3, 4)
257	4-269-132-01	RING
258	4-269-227-01	YOKE (Note 3)
259	4-264-340-01	CUSHION (365), MICROPHONE
260	4-264-337-01	SHEET METAL (365), RETAINER

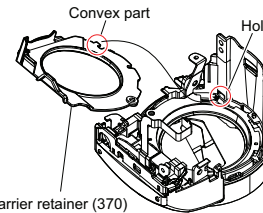
Ref. No.	Part No.	Description
261	4-269-884-01	RETAINER (370), BARRIER (Note 1)
262	4-264-335-11	RING (365), LENS
263	4-269-886-01	RING, NAME (Note 5)
264	4-269-883-01	ORNAMENT (370), F
265	4-269-887-01	EMBLEM (3.75), G
266	4-269-885-01	GRILLE (370), MICROPHONE
267	4-264-341-01	SHEET (365), GRILLE
268	4-269-882-01	CABINET (F (370))
MIC901	1-489-281-11	MICROPHONE UNIT
#11	3-078-890-11	SCREW, TAPPING
#12	3-080-204-21	SCREW, TAPPING, P2

Screw

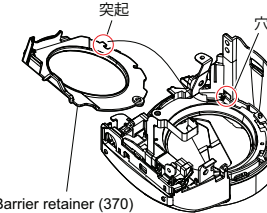


Note

Note 1: Insert the convex part to the hole when you install the barrier retainer (370).



Note 1: 突起を穴に挿入しながら、Barrier retainer (370)を取り付けてください。



Note 2: Refer to "Assembly-7: The Method of attachment of Cover (A), Cover (B)."

Note 2: "Assembly-7: The Method of attachment of Cover (A), Cover (B)."を参照してください。

Note 3: Refer to "Assembly-8: The Method of attachment of Barrier Motor."

Note 3: "Assembly-8: The Method of attachment of Barrier Motor."を参照してください。

Note 4: Refer to "Assembly-6: Installation Cautions of the Motor Harness."

Note 4: "Assembly-6: Installation Cautions of the Motor Harness."を参照してください。

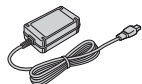
Note 5: Refer to "Assembly-9: Installation Cautions of Name Ring."

Note 5: "Assembly-9: Installation Cautions of Name Ring."を参照してください。

• EXCEPT J MODEL

Checking supplied accessories.

Note: This item is supplied with the unit as an accessory, but is not prepared as a service part.



AC Adaptor
(AC-L200C/L200D)
* Compatible in L200C and L200D
△ 1-487-150-71



Power cord (Mains lead)
△ 1-832-121-31 (CH)
△ 1-832-169-41 (UK, HK)
△ 1-833-892-41 (KR)
△ 1-834-482-21 (AEP, NE, E: PAL)
△ 1-834-484-31 (US, CND)
△ 1-834-852-11 (E:NTSC, BR)
△ 1-835-983-11 (AUS)
△ 1-836-251-11 (JE, J)



Conversion (2P) Adaptor
△ 1-569-007-12 (E:NTSC, JE)



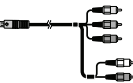
Rechargeable battery pack
(NP-FV50) (Note)



AV connecting cable
1-838-205-11



USB connection support cable
1-838-714-11



Component AV cable
1-834-646-11



CD-ROM "Handycam Application Software"
— "PMB" (software, including "PMB Help")
— "Handycam Handbook" (PDF)
4-271-476-01



The CD-ROM supplied contains all of language version of the Instruction Manual in pdf (Handycam Handbook.pdf) for printing.

- The printed matter is not supplied. If required, please order it with the part number below.

Handycam Handbook (PDF)

- | | |
|--------------------------------------|--------------------------------------|
| * 4-271-478-01 (JAPANESE) | * 4-271-480-31 (SLOVAK) |
| * 4-271-478-11 (ENGLISH) | * 4-271-480-41 (POLISH) |
| * 4-271-478-21 (FRENCH) | * 4-271-480-51 (SWEDISH) |
| * 4-271-478-31 (SPANISH) | * 4-271-480-61 (DANISH) |
| * 4-271-478-41 (PORTUGUESE) | * 4-271-480-71 (FINNISH) |
| * 4-271-478-51 (TRADITIONAL CHINESE) | * 4-271-480-81 (ROMANIAN) |
| * 4-271-478-61 (KOREA) | * 4-271-480-91 (RUSSIAN) |
| * 4-271-479-11 (ENGLISH) | * 4-271-481-11 (UKRAINIAN) |
| * 4-271-479-21 (FRENCH) | * 4-271-481-21 (TRADITIONAL CHINESE) |
| * 4-271-479-31 (GERMAN) | * 4-271-481-31 (SIMPLIFIED CHINESE) |
| * 4-271-479-41 (ITALIAN) | * 4-271-481-41 (ARABIC) |
| * 4-271-479-51 (DUTCH) | * 4-271-481-51 (PERSIAN) |
| * 4-271-479-61 (SPANISH) | * 4-271-481-61 (MALAY) |
| * 4-271-479-71 (PORTUGUESE) | * 4-271-481-71 (INDONESIAN) |
| * 4-271-479-81 (TURKISH) | * 4-271-481-81 (THAI) |
| * 4-271-479-91 (GREEK) | |
| * 4-271-480-11 (CZECH) | |
| * 4-271-480-21 (HUNGARIAN) | |



Operating Guide
(CX130/CX160)
* 4-271-482-11 (ENGLISH, SPANISH) (US, E:NTSC)
* 4-271-482-21 (ENGLISH, FRENCH)
* 4-271-482-41 (TRADITIONAL CHINESE)
4-271-482-51 (KOREA) (KR)
* 4-282-650-11 (ENGLISH, SPANISH) (CX160: JE)
* 4-282-650-21 (PORTUGUESE)
4-282-650-31 (KOREA) (CX160: JE)

(CX130E/CX160E)
4-271-483-11 (ENGLISH)
4-271-483-21 (FRENCH, DUTCH, GERMAN, ITALIAN)
* 4-271-483-31 (SPANISH, PORTUGUESE, GREEK, TURKISH)
* 4-271-483-41 (POLISH, CZECH, HUNGARIAN, SLOVAK)
* 4-271-483-51 (DANISH, FINNISH, SWEDISH, ROMANIAN)
* 4-271-483-61 (RUSSIAN, UKRAINIAN)
* 4-271-483-71 (TRADITIONAL CHINESE)
4-271-483-81 (SIMPLIFIED CHINESE)
* 4-271-483-91 (ARABIC, PERSIAN)
* 4-275-373-11 (RUSSIAN, UKRAINIAN)
* 4-275-373-41 (ARABIC, PERSIAN)

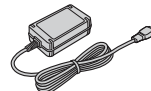
(CX180)
4-271-482-01 (JAPANESE)

(CX180E)
4-271-485-11 (SIMPLIFIED CHINESE)

• J MODEL

付属品

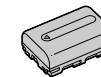
Note 1: 当商品はアクセサリとして同梱されておりませんがサービス用補修部品としては準備しておりません。



ACアダプター
(AC-L200C/L200D)
* L200CとL200Dには互換性があります。
△ 1-487-150-71



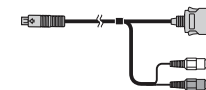
電源コード
△ 1-836-251-11



リチャージャブルバッテリーパック
(NP-FV50)
(Note 1)



AV接続ケーブル
1-838-205-11



D端子AVケーブル
1-834-646-21



USBサポートケーブル
1-838-714-11



取扱説明書
4-271-482-01 (日本語)



CD-ROM 「Handycam Application Software」
— 「PMB」(ソフトウェア、「PMB ヘルプ」を含む)
— 「ハンディカムハンドブック」(PDF) (Note 2)
4-271-476-01

Note 2: 日本国内については印刷での部品供給は行っておりません。