

## S6. Replacement Parts List

- Note:
- 1.\* Be sure to make your orders of replacement parts according to this list.
  2. IMPORTANT SAFETY NOTICE  
Components identified with the mark  $\triangle$  have the special characteristics for safety.  
When replacing any of these components, use only the same type.
  3. Unless otherwise specified,  
All resistors are in OHMS, K=1,000 OHMS. All capacitors are in MICRO-FARADS (uf), P=uuF.
  4. The marking (RTL) indicates the retention time is limited for this item. After the discontinuation of this assembly in production, it will no longer be available.

**E.S.D. standards for Electrostatically Sensitive Devices, refer to “PREVENTION OF ELECTROSTATIC DISCHARGE (ESD) TO ELECTROSTATICALLY SENSITIVE (ES) DEVICES” section.**

**Definition of Parts supplier:**

1. **Parts marked with [MBI] in the remarks column are supplied from “Matsushita Battery Industrial Co., Ltd.”**

HDC-HS9E-S,EB-S,EG-S,EE-S,EP-S,GC-S,GN-S,GK-S,SG-S,P-S,PC-S,PL-S vol.1

Ref.No.	Part No.	Part Name & Description	Pcs	Remarks
##	VEP03H43B	MAIN P.C.B.	1	(RTL)E.S.D. P,PC,PL
##	VEP03H43C	MAIN P.C.B.	1	(RTL)E.S.D. E,EG
##	VEP03H43N	MAIN P.C.B.	1	(RTL)E.S.D. EB
##	VEP03H43E	MAIN P.C.B.	1	(RTL)E.S.D. EE
##	VEP03H43P	MAIN P.C.B.	1	(RTL)E.S.D. EP
##	VEP03H43D	MAIN P.C.B.	1	(RTL)E.S.D. GC,SG
##	VEP03H43R	MAIN P.C.B.	1	(RTL)E.S.D. GN
##	VEP03H43F	MAIN P.C.B.	1	(RTL)E.S.D. GK
##	VEP01A02B	SUB P.C.B.	1	(RTL)E.S.D.
##	VEP26312A	FLASH P.C.B.	1	(RTL)E.S.D.
##	VEP29200A	SIDE (R) P.C.B.	1	(RTL)E.S.D.
##	VEP24191A	MIC P.C.B.	1	(RTL)E.S.D.
##	VEP26301A	MONITOR P.C.B.	1	(RTL)E.S.D.
##	VEP26312A	FLASH P.C.B.	1	(RTL)E.S.D.
△ B6401	ML-614S/ZT	BATTERY	1	E.S.D.(BMI)
C6401	F1G0J1050007	C.CAPACITOR CH 6.3V 1U	1	
C6402	F1G1C104A080	C.CAPACITOR CH 16V 0.1U	1	
C6403	F3F0J226A032	T.CAPACITOR CH 6.3V 22U	1	
C6404	F3F0J476A032	E.CAPACITOR CH 6.3V 47U	1	
C7001	ECJ1VB1C105K	C.CAPACITOR CH 16V 1U	1	
C7004	F2AZZ5600001	CAPACITOR	1	
C7005	F1K2E4730005	SURFACE MOUNTING MULTILAY	1	
C7006	F1G1A104A012	C.CAPACITOR CH 10V 0.1U	1	
C7007	ECJ1VB1H103K	C.CAPACITOR CH 50V 0.01U	1	
C7010	F1K2E223A004	C.CAPACITOR 250V 0.022U	1	
C7099	F1J1C335A121	C.CAPACITOR CH 16V 3.3U	1	
D7001	MA2S11100L	DIODE	1	E.S.D.
D7002	B0ECGP000006	DIODE	1	E.S.D.
D7003	MA2YF8000L	DIODE	1	E.S.D.
D7004	B0BC30000001	DIODE	1	E.S.D.
D7006	B0JCDD000002	DIODE	1	E.S.D.
FP6401	K1MN10BA0197	CONNECTOR 10P	1	
FP6402	K1MN16BA0197	CONNECTOR 16P	1	
IC6401	L2ES00000017	GYROSCOPE	1	
L6401	G1C100KA0115	CHIP INDUCTOR 10UH	1	
L7001	G1C560MA0024	CHIP INDUCTOR 56UH	1	
P6401	K1KA02BA0014	CONNECTOR 2P	1	
PS6401	K1KA30B00077	CONNECTOR 30P	1	
Q7001	2SC6054J0L	TRANSISTOR	1	E.S.D.
Q7002	B1ABPF000009	TRANSISTOR	1	E.S.D.
Q7003	2SC6054J0L	TRANSISTOR	1	E.S.D.
Q7004	XP0460100L	TRANSISTOR	1	E.S.D.
Q7005	B1JBLP000014	TRANSISTOR	1	E.S.D.
QR6402	UNR91A5J0L	TRANSISTOR	1	E.S.D.
QR6403	UNR91A5J0L	TRANSISTOR	1	E.S.D.
QR7001	UNR92A4J0L	TRANSISTOR	1	E.S.D.
QR7008	UNR92A4J0L	TRANSISTOR	1	E.S.D.
R6401	ERJ6GEYJ222V	M.RESISTOR CH 1/10W 2.2K	1	
R6407	ERJ2GEJ331	M.RESISTOR CH 1/16W 330	1	
R6408	ERJ2GEJ470	M.RESISTOR CH 1/16W 47	1	

Ref.No.	Part No.	Part Name & Description	Pcs	Remarks
R6410	ERJ2GEJ105	M.RESISTOR CH 1/16W 1M	1	
R7001	ERJ2GEJ473Y	M.RESISTOR CH 1/16W 47K	1	
R7003	ERJ2GEJ470	M.RESISTOR CH 1/16W 47	1	
R7004	ERJ8GEYJ105V	M.RESISTOR CH 1/8W 1M	1	
R7005	ERJ2GEJ334	M.RESISTOR CH 1/16W 330K	1	
R7006	ERJ2GEJ564	M.RESISTOR CH 1/16W 560K	1	
R7007	ERJ3GEYJ104	M.RESISTOR CH 1/10W 100K	1	
R7008	ERJ2GEJ101	M.RESISTOR CH 1/16W 100	1	
R7009	ERJ2GEJ222	M.RESISTOR CH 1/16W 2.2K	1	
R7010	ERJ2GEJ222	M.RESISTOR CH 1/16W 2.2K	1	
R7011	ERJ2GEJ104	M.RESISTOR CH 1/16W 100K	1	
R7013	ERJ2GEJ822	M.RESISTOR CH 1/16W 8.2K	1	
R7014	ERJ2GEJ223	M.RESISTOR CH 1/16W 22K	1	
R7015	ERJ2GEJ560	M.RESISTOR CH 1/16W 56	1	
R7022	ERJ2GEJ102X	M.RESISTOR CH 1/16W 1K	1	
T7001	G5DYA0000084	SWITCHING TRANSFORMER	1	
T7002	G5F1A0000021	TRIGGER COIL	1	
ZB6401	K3ZZ00500014	CONNECTOR	1	
##	VEP29200A	SIDE (R) P.C.B.	1	(RTL)E.S.D.
C601	F3F0G4760003	E.CAPACITOR CH 4V 47U	1	
C604	F1G0J1050007	C.CAPACITOR CH 6.3V 1U	1	
C605	F1G1C104A080	C.CAPACITOR CH 16V 0.1U	1	
C606	F1G1C104A080	C.CAPACITOR CH 16V 0.1U	1	
C607	F1H0J225A002	C.CAPACITOR CH 6.3V 2.2U	1	
C608	F1H0J225A002	C.CAPACITOR CH 6.3V 2.2U	1	
C609	F1G1C104A080	C.CAPACITOR CH 16V 0.1U	1	
C613	F1G0J1050007	C.CAPACITOR CH 6.3V 1U	1	
C614	F1G0J1050007	C.CAPACITOR CH 6.3V 1U	1	
C615	F1G1C104A080	C.CAPACITOR CH 16V 0.1U	1	
C616	F1J0J106A049	C.CAPACITOR CH 6.3V 10U	1	
C6501	ECJ0EB1C103K	C.CAPACITOR CH 16V 0.01U	1	
C6502	ECJ0EB1C103K	C.CAPACITOR CH 16V 0.01U	1	
C6503	ECJ0EB1C103K	C.CAPACITOR CH 16V 0.01U	1	
C6504	ECJ0EB1C103K	C.CAPACITOR CH 16V 0.01U	1	
C6505	F1G1C104A080	C.CAPACITOR CH 16V 0.1U	1	
C6506	F1G1C104A080	C.CAPACITOR CH 16V 0.1U	1	
C6508	ECJ0EB1C103K	C.CAPACITOR CH 16V 0.01U	1	
C6509	F1G0J1050007	C.CAPACITOR CH 6.3V 1U	1	
C6511	ECJ0EB1C103K	C.CAPACITOR CH 16V 0.01U	1	
C6512	ECJ0EB1C103K	C.CAPACITOR CH 16V 0.01U	1	
C6513	F1G1C104A080	C.CAPACITOR CH 16V 0.1U	1	
FP601	K1MN25BA0199	CONNECTOR 25P	1	
FP6502	K1MN29BA0259	CONNECTOR 29P	1	
IC601	C1AB00002388	IC	1	(RTL)E.S.D.
IC604	C0DBGCG00011	IC	1	(RTL)E.S.D.
R603	ERJ2RHD511	M.RESISTOR CH 1/16W 510	1	
R604	ERJ2RHD102	M.RESISTOR CH 1/16W 1K	1	
R605	D0YAR0000007	M.RESISTOR CH 1/16W 0	1	
R606	D0YAR0000007	M.RESISTOR CH 1/16W 0	1	
R6501	ERJ2GEJ183	M.RESISTOR CH 1/16W 18K	1	
R6502	ERJ2GEJ302	M.RESISTOR CH 1/16W 3K	1	
R6503	ERJ2RHD682X	M.RESISTOR CH 1/16W 6.8K	1	
R6504	D0YAR0000007	M.RESISTOR CH 1/16W 0	1	
R6506	ERJ2GEJ101	M.RESISTOR CH 1/16W 100	1	
R6507	ERJ2GEJ473Y	M.RESISTOR CH 1/16W 47K	1	
R6508	D0YAR0000007	M.RESISTOR CH 1/16W 0	1	
R6509	ERJ2GEJ473Y	M.RESISTOR CH 1/16W 47K	1	
R6510	ERJ2GEJ392	M.RESISTOR CH 1/16W 3.9K	1	
R6511	D0YAR0000007	M.RESISTOR CH 1/16W 0	1	
R6512	ERJ2GEJ302	M.RESISTOR CH 1/16W 3K	1	
R6513	ERJ2GEJ392	M.RESISTOR CH 1/16W 3.9K	1	
R6514	ERJ2RHD682X	M.RESISTOR CH 1/16W 6.8K	1	
R6515	ERJ2GEJ183	M.RESISTOR CH 1/16W 18K	1	
R6516	ERJ2GEJ103	M.RESISTOR CH 1/16W 10K	1	
R6517	ERJ2GEJ102X	M.RESISTOR CH 1/16W 1K	1	
S6501	K0H1BA000436	SWITCH	1	
S6502	K0H1BA000436	SWITCH	1	

HDC-HS9E-S,EB-S,EG-S,EE-S,EP-S,GC-S,GN-S,GK-S,SG-S,P-S,PC-S,PL-S vol.1

Ref.No.	Part No.	Part Name & Description	Pcs	Remarks	Ref.No.	Part No.	Part Name & Description	Pcs	Remarks
S6503	K0H1BA000436	SWITCH	1						
S6504	K0H1BA000436	SWITCH	1		FP901	K1MN23AA0035	CONNECTOR 23P	1	
S6505	EVQPQ6B55	SWITCH	1		FP902	K1MN20BA0262	CONNECTOR 20P	1	
S6506	VSS0533	SWITCH	1						
S6507	K0MG5500004	SWITCH	1		L901	G1C101KA0055	CHIP INDUCTOR 100UH	1	
S6508	K0H1BA000436	SWITCH	1						
VA6505	D4ED18R00003	VARISTORS	1		Q901	2SC6054J0L	TRANSISTOR	1	E.S.D.
VA6506	D4ED18R00003	VARISTORS	1		Q902	2SC6054J0L	TRANSISTOR	1	E.S.D.
					Q903	2SC6054J0L	TRANSISTOR	1	E.S.D.
					Q905	2SA2174J0L	TRANSISTOR	1	E.S.D.
					Q910	2SA2174J0L	TRANSISTOR	1	E.S.D.
##	VEP24191A	MIC P.C.B.		(RTL)E.S.D.					
					R901	ERJ2RKD220	M.RESISTOR CH 1/16W 22	1	
C4801	ECJ0EB1A473K	C.CAPACITOR CH 10V 0.047U	1		R902	ERJ2RKD220	M.RESISTOR CH 1/16W 22	1	
C4802	ECJ0EC1H220J	C.CAPACITOR CH 50V 22P	1		R903	ERJ2RKD220	M.RESISTOR CH 1/16W 22	1	
C4803	ECJ0EB1A473K	C.CAPACITOR CH 10V 0.047U	1		R904	D0YAR0000007	M.RESISTOR CH 1/16W 0	1	
C4804	ECJ0EC1H220J	C.CAPACITOR CH 50V 22P	1		R905	D0YAR0000007	M.RESISTOR CH 1/16W 0	1	
C4805	ECJ0EB1A473K	C.CAPACITOR CH 10V 0.047U	1		R906	D0YAR0000007	M.RESISTOR CH 1/16W 0	1	
C4806	ECJ0EC1H220J	C.CAPACITOR CH 50V 22P	1		R910	ERJ2GEJ104	M.RESISTOR CH 1/16W 100K	1	
C4807	ECJ0EB1A473K	C.CAPACITOR CH 10V 0.047U	1		R913	ERJ2RHD273	M.RESISTOR CH 1/16W 27K	1	
C4808	ECJ0EC1H220J	C.CAPACITOR CH 50V 22P	1		R914	ERJ2RHD103	M.RESISTOR CH 1/16W 10K	1	
C4809	ECJ0EB1A473K	C.CAPACITOR CH 10V 0.047U	1		R915	ERJ2GEJ152	M.RESISTOR CH 1/16W 1.5K	1	
C4810	ECJ0EC1H220J	C.CAPACITOR CH 50V 22P	1						
C4811	ECJ0EC1H101J	C.CAPACITOR CH 50V 100P	1						
C4812	ECJ0EC1H101J	C.CAPACITOR CH 50V 100P	1						
C4813	ECJ0EC1H101J	C.CAPACITOR CH 50V 100P	1						
C4814	ECJ0EC1H101J	C.CAPACITOR CH 50V 100P	1						
C4815	ECJ0EC1H101J	C.CAPACITOR CH 50V 100P	1						
C4816	F3E0J106A009	E.CAPACITOR CH 6.3V 22U	1						
C4817	F3F0J226A032	T.CAPACITOR CH 6.3V 22U	1						
C4818	F1G0J1050007	C.CAPACITOR CH 6.3V 1U	1						
FP4801	K1MN08BA0197	CONNECTOR 8P	1						
FP4802	K1MN10BA0197	CONNECTOR 10P	1						
IC4801	C0ABBB000369	IC	1	E.S.D.					
IC4802	C0ABBB000369	IC	1	E.S.D.					
IC4803	C0ABBB000369	IC	1	E.S.D.					
Q4801	2SD2216J0L	TRANSISTOR	1	E.S.D.					
R4801	VRE0071E392	M.RESISTOR CH 1/10W 3.9K	1						
R4802	VRE0071E392	M.RESISTOR CH 1/10W 3.9K	1						
R4803	VRE0071E392	M.RESISTOR CH 1/10W 3.9K	1						
R4804	VRE0071E392	M.RESISTOR CH 1/10W 3.9K	1						
R4805	VRE0071E392	M.RESISTOR CH 1/10W 3.9K	1						
R4806	ERJ2GEJ183	M.RESISTOR CH 1/16W 18K	1						
R4807	ERJ2GEJ154	M.RESISTOR CH 1/16W 150K	1						
R4808	ERJ2GEJ183	M.RESISTOR CH 1/16W 18K	1						
R4809	ERJ2GEJ154	M.RESISTOR CH 1/16W 150K	1						
R4810	ERJ2GEJ183	M.RESISTOR CH 1/16W 18K	1						
R4811	ERJ2GEJ154	M.RESISTOR CH 1/16W 150K	1						
R4812	ERJ2GEJ183	M.RESISTOR CH 1/16W 18K	1						
R4813	ERJ2GEJ154	M.RESISTOR CH 1/16W 150K	1						
R4814	ERJ2GEJ183	M.RESISTOR CH 1/16W 18K	1						
R4815	ERJ2GEJ154	M.RESISTOR CH 1/16W 150K	1						
R4816	ERJ2GEJ472	M.RESISTOR CH 1/16W 4.7K	1						
R4817	ERJ2GEJ223	M.RESISTOR CH 1/16W 22K	1						
R4818	ERJ2GEJ333	M.RESISTOR CH 1/16W 33K	1						
##	VEP26301A	MONITOR P.C.B.		(RTL)E.S.D.					
C901	F1J1A475A023	C.CAPACITOR CH 10V 4.7U	1						
C907	F1H0J225A002	C.CAPACITOR CH 6.3V 2.2U	1						
C908	F1J1A2250007	C.CAPACITOR CH 10V 2.2U	1						
C909	F1H0J475A010	C.CAPACITOR CH 6.3V 4.7U	1						
C910	F1G1C104A080	C.CAPACITOR CH 16V 0.1U	1						
C912	F1H0J475A010	C.CAPACITOR CH 6.3V 4.7U	1						
D901	B3AFB0000200	LED	1	E.S.D.					
D902	B3AFB0000200	LED	1	E.S.D.					
D903	B3AFB0000200	LED	1	E.S.D.					
D905	MAZ80470HL	DIODE	1	E.S.D.					
D909	MAZ80620ML	DIODE	1	E.S.D.					







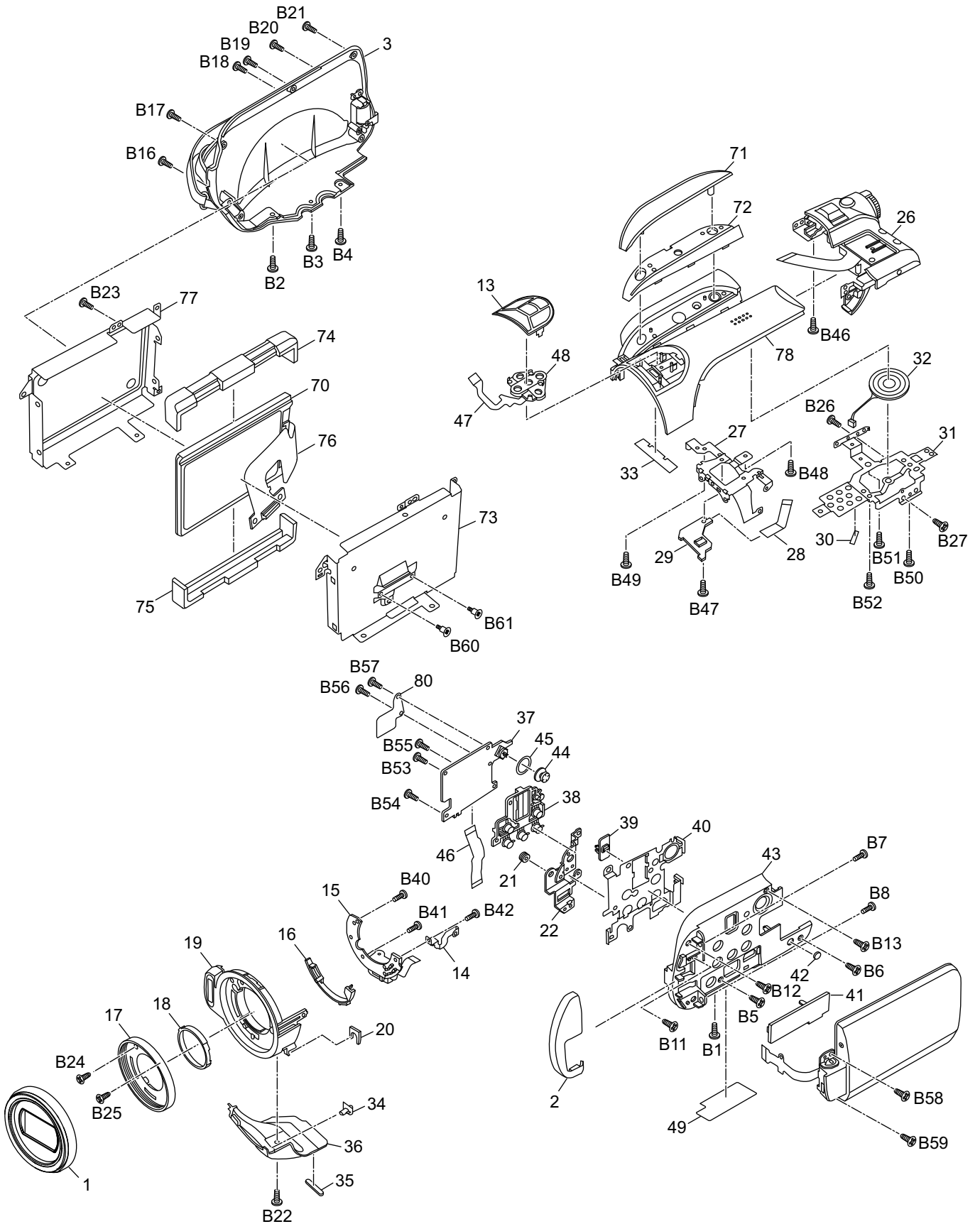




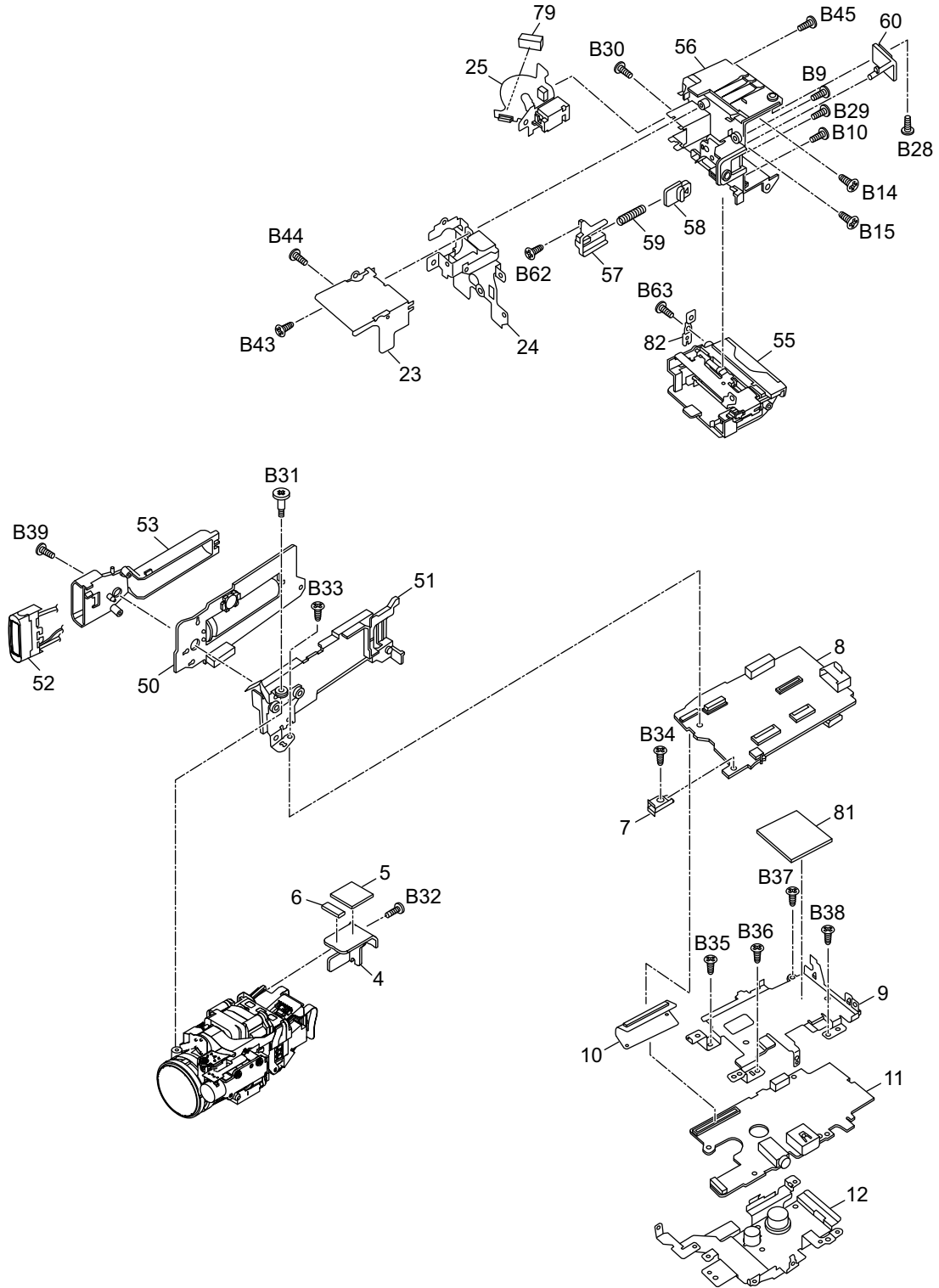


# S7. Exploded View

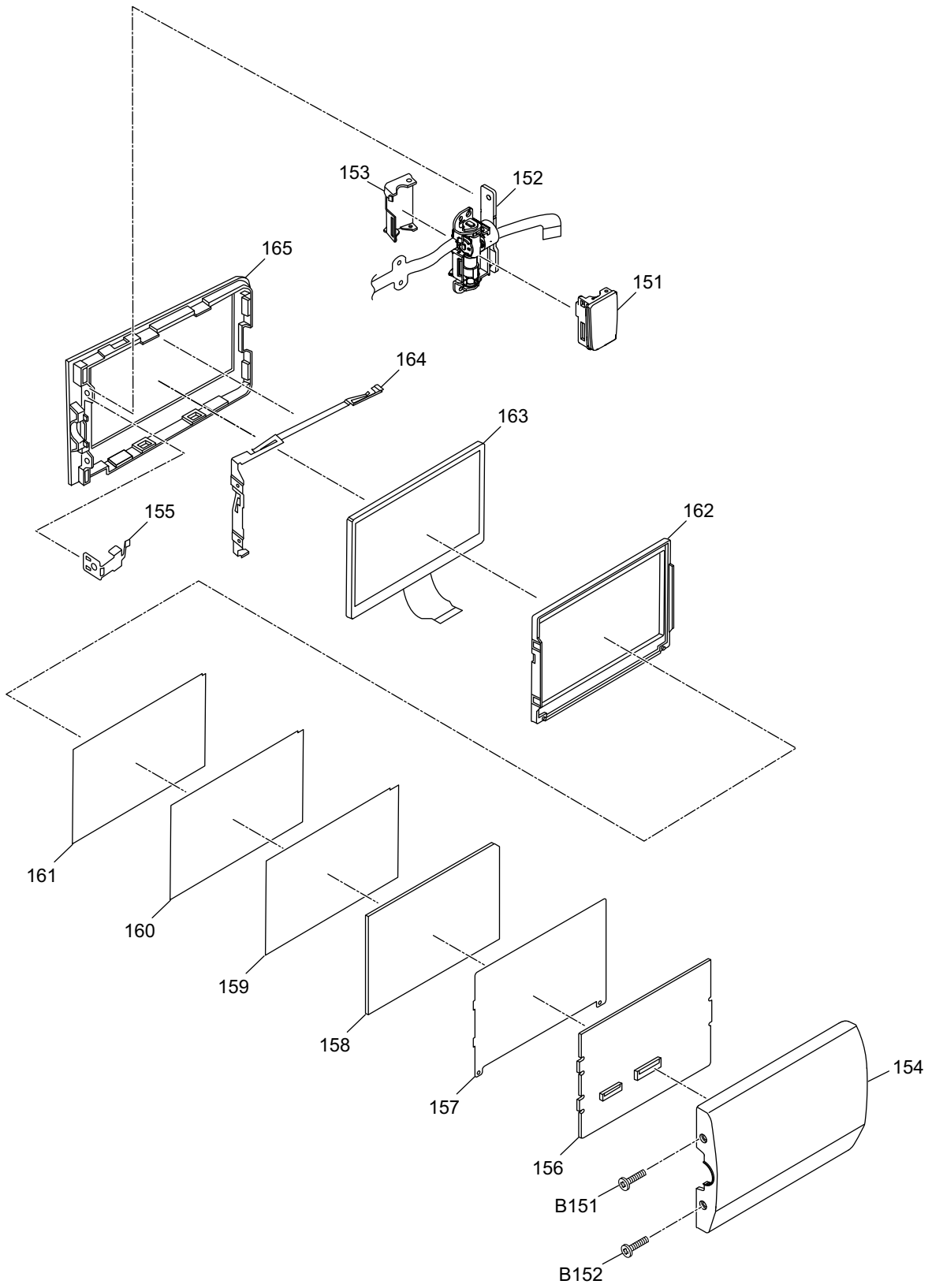
## S7.1. Frame and Casing Section (1)



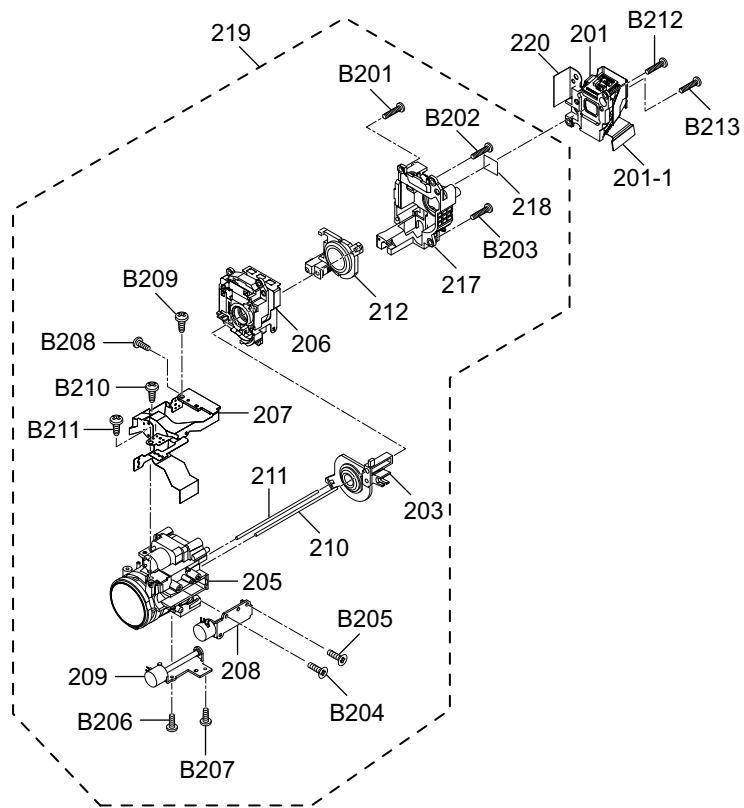
## S7.2. Frame and Casing Section (2)



### S7.3. LCD Section



## S7.4. Camera Lens Section



## S7.5. Packing Parts and Accessories Section

