

Service
Service
Service



Philips Domestic Appliances and Personal Care

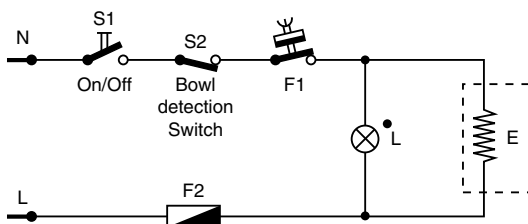
Service Manual

PRODUCT INFORMATION

- This product meets the requirements regarding interference suppression on radio and TV.
- After the product has been repaired, it should function properly and has to meet the safety requirements as officially laid down at this moment.

TECHNICAL INFORMATION

- Voltage : 220 - 240 V
- Frequency : 50 - 60 Hz
- Power consumption : 2000 W
- Contents Oil : 2500 cc
- Coloursetting : White / Sunset orange
- Removable filter
- Adjustable temp. control : 150 - 190 °C
- Fuse switch-off temp : 192 °C
- SAP coding : HD6118/55

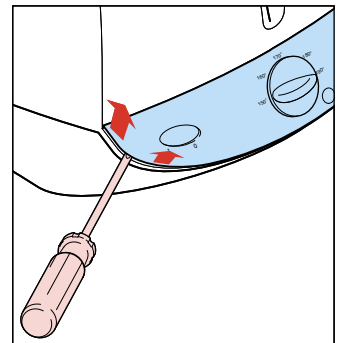


DISASSEMBLY- AND RE-ASSEMBLY ADVISE

Base removal:

To remove base do the following:

- Remove rubber foot (2x)
- Remove control front plate with small screwdriver
- Now remove screws.



REPAIR INSTRUCTION

Electrical circuit

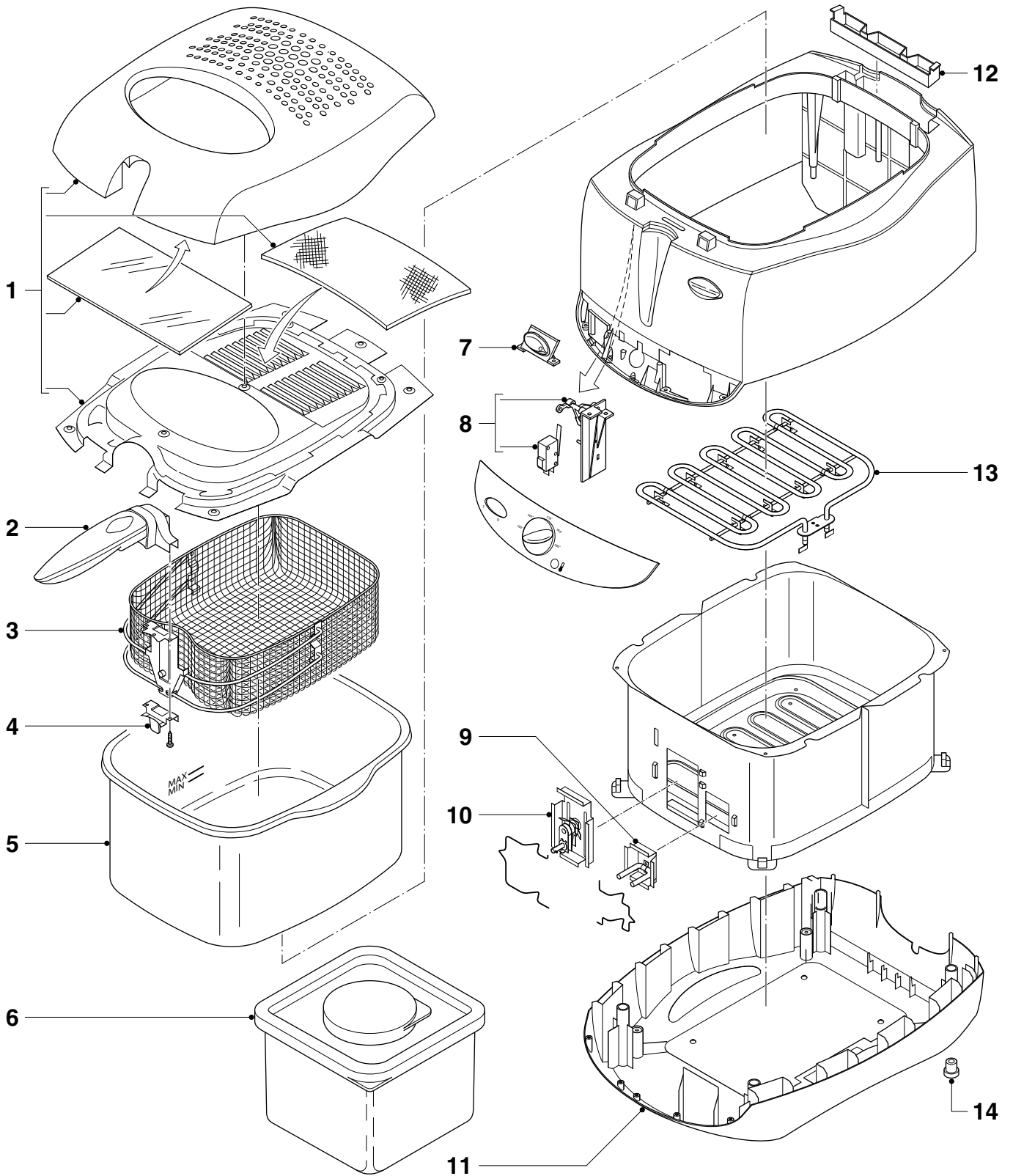
- When the appliance does not work, check the electrical circuit.
- Be aware of the micro switch that detects if the bowl is right placed!

OPTIONAL (accessories)

- For oil filtering it is possible to order separate a oil container.
Commercial number is HD6901, service number 9965 000 26135, see item 7 in the exploded view.
- Removable filter 9965 000 26141, see item 1 in the exploded view.

EXPLODED VIEW & PARTS LIST

HD6118/55



| Pos | Service code | Description |
|-----|----------------|---------------------|
| 1 | 4222 459 45230 | Complete Lid |
| 2 | 4222 459 45226 | Basket handle assy |
| 3 | 9965 000 26134 | Basket assy |
| 4 | 9965 000 12034 | Lower pivot block |
| 5 | 9965 000 12020 | Bowl |
| 6 | 9965 000 26135 | Oil filtration bowl |
| 7 | 4222 459 45227 | Switch assy on/off |

| Pos | Service code | Description |
|-----|----------------|------------------|
| 8 | 9965 000 12027 | Activator assy |
| 9 | 9965 000 12023 | Fuse assy |
| 10 | 9965 000 12024 | Thermostat assy |
| 11 | 9965 000 26137 | Base assy, white |
| 12 | 4222 459 45228 | Oil tray |
| 13 | 9965 000 12021 | Heating element |
| 14 | 9965 000 12032 | Rubber foot |