

## SECTION 6 EXPLODED VIEWS

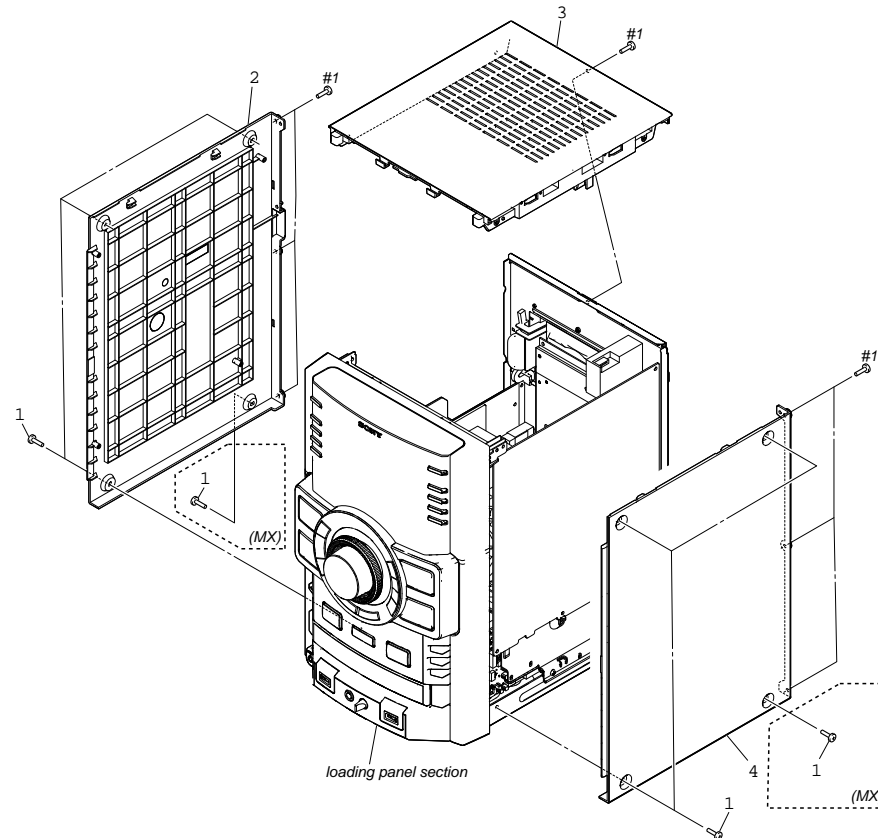
**Note:**

- XX and -X mean standardized parts, so they may have some difference from the original one.
- Items marked "\*" are not stocked since they are seldom required for routine service. Some delay should be anticipated when ordering these items.
- The mechanical parts with no reference number in the exploded views are not supplied.

- Color Indication of Appearance Parts Example:  
KNOB, BALANCE (WHITE) . . . (RED)  
Parts Color Cabinet's Color
- Abbreviation  
AR : Argentine model  
E2 : 120V AC area in E model  
E3 : 240V AC area in E model  
E51 : Chilean and Peruvian models  
MX : Mexican model

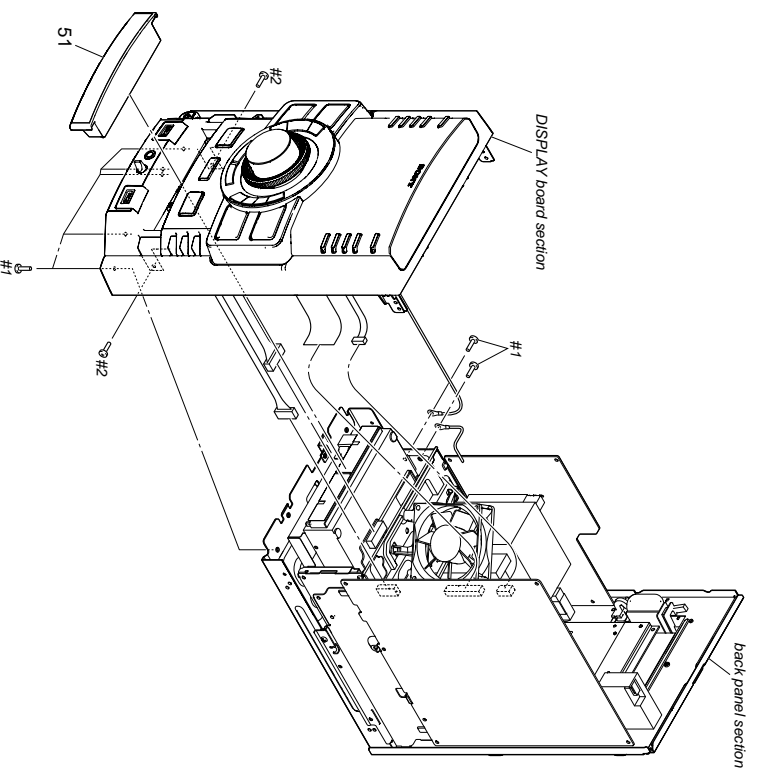
The components identified by mark  $\Delta$  or dotted line with mark  $\Delta$  are critical for safety.  
Replace only with part number specified.

### 6-1. CASE SECTION



Ref. No.	Part No.	Description	Remark	Ref. No.	Part No.	Description	Remark
1	3-363-099-32	SCREW (CASE 3 TP2)		4	3-283-219-01	CASE, (SIDE-R) (MX)	
2	3-283-218-01	CASE, (SIDE-L) (MX)		4	3-283-219-22	CASE, (SIDE-R) (EXCEPT MX)	
2	3-283-218-22	CASE, (SIDE-L) (EXCEPT MX)		#1	7-685-646-79	SCREW +BVTP 3X8 TYPE2 IT-3	
3	4-124-215-01	CASE, TOP					

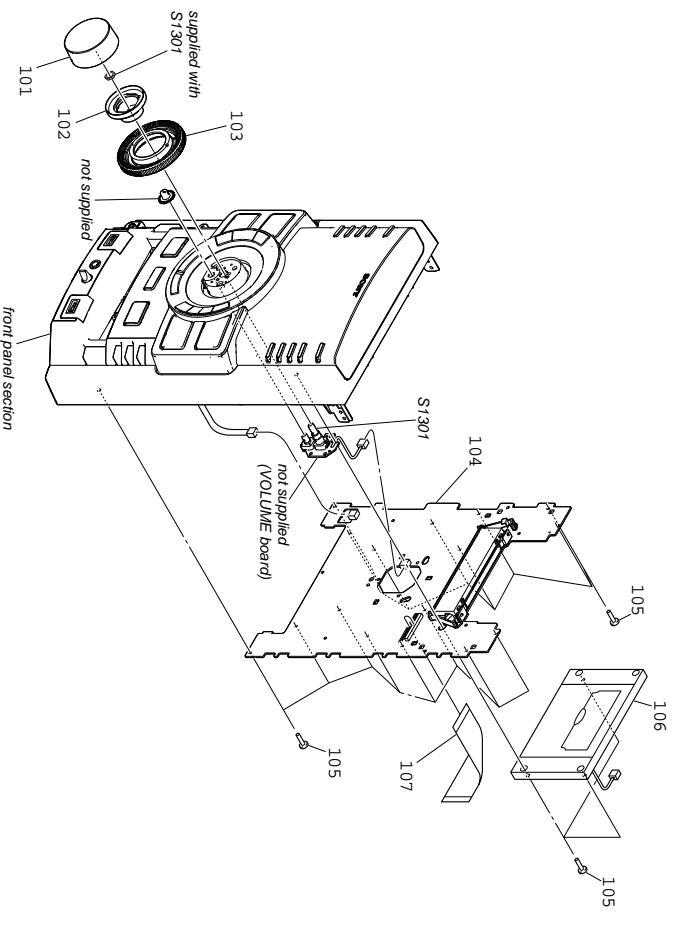
6-2. LOADING PANEL SECTION



Ref. No.	Part No.	Description	Remark	Ref. No.	Part No.	Description
51	4-124-214-21	PANEL, LOADING (GT23; E2, E51, MX, AR)		51	4-130-318-61	PANEL, LOADING (GT23; E3)
51	4-124-214-31	PANEL, LOADING (GT22)		#1	7-685-646-79	SCREW +8V/TP 3X8 TYPE2 IT-3
51	4-124-214-61	PANEL, LOADING (GT23)		#2	7-685-647-79	SCREW +8V/TP 3X10TYPE2 IT-3
51	4-124-214-71	PANEL, LOADING (GT22)				

## HCD-GT22/GT22i/GT23/GT23i

### 6-3: DISPLAY BOARD SECTION

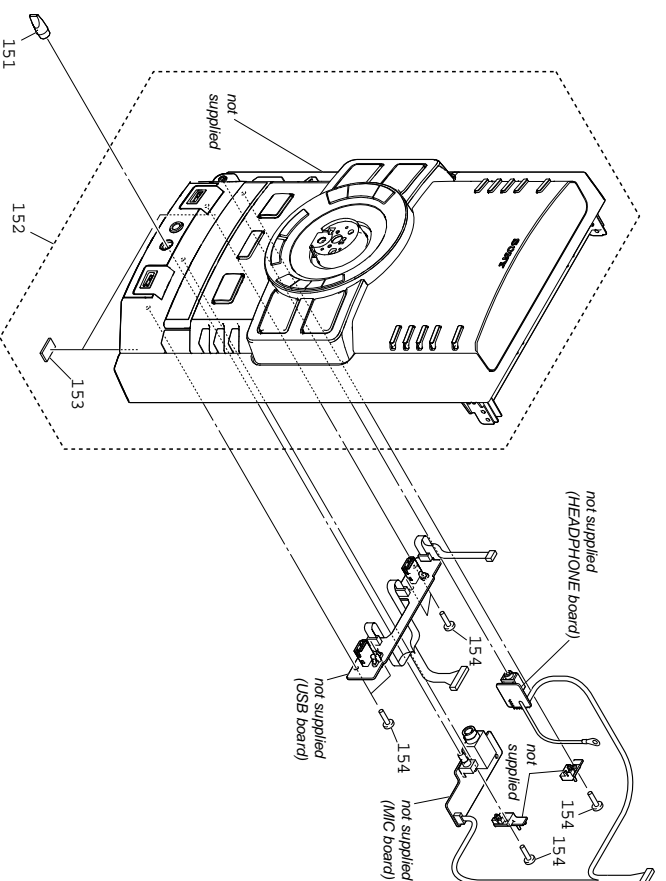


Ref. No.	Part No.	Description	Remark
101	4-124-203-01	KNOB (VOLUME)	
102	4-124-204-01	HOLDER (JOB)	
103	4-124-205-11	KNOB (JOB)	
104	A-1660-094-A	DISPLAY BOARD COMPLETE (GT22/GT22i)	
104	A-1711-928-A	DISPLAY BOARD COMPLETE (GT23/GT23i)	

Ref. No.	Part No.	Description	Remark
105	3-087-053-01	+BV/TP2.6 (RCR)	
106	A-1778-276-A	PANEL (GT1) ASSY. DISPLAY	
107	F-629-040-11	WIRE (FLAT TYPE) (Z1 CORE)	
S1301	1-487-171-11	ROTARY ENCODER (MASTER VOLUME)	

HCD-GT22/GT22i/GT23/GT

6-4. FRONT PANEL SECTION

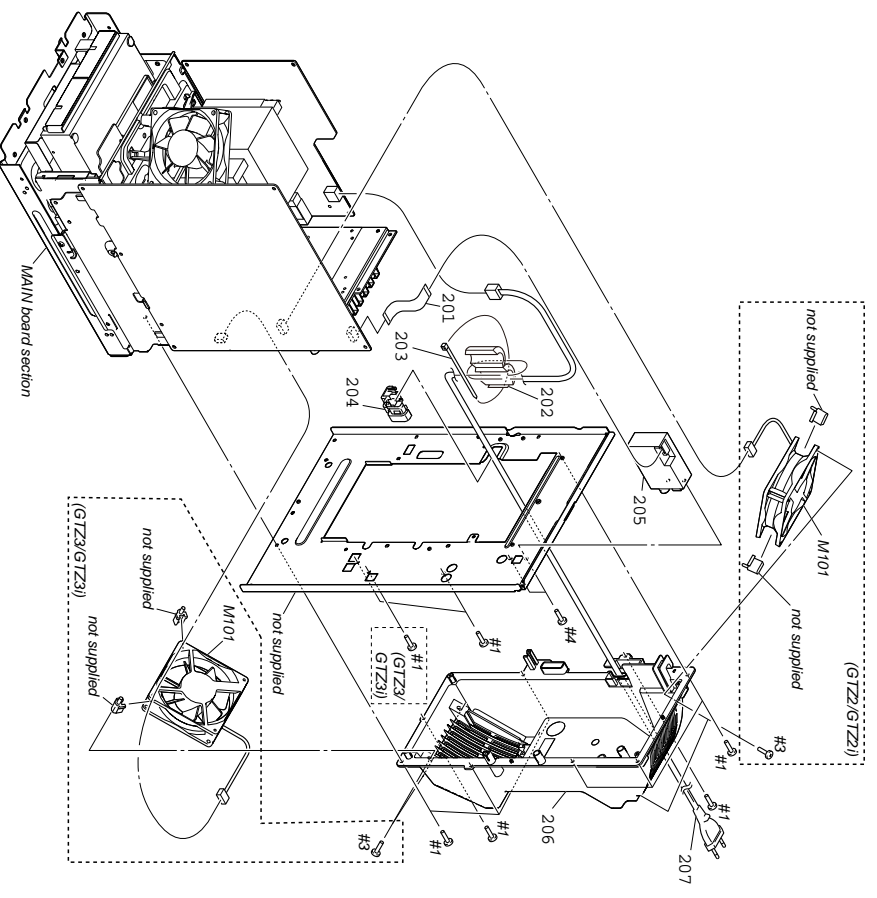


Ref. No.	Part No.	Description	Remark	Ref. No.	Part No.	Description
151	2-895-507-01	KNOB (MIC)		152	X-2345-054-2	FRONT PANEL ASSY (GT22i)
152	X-2345-051-2	FRONT PANEL ASSY (GT23)		153	4-225-252-01	CUSHION (FOOT)
152	X-2345-052-2	FRONT PANEL ASSY (GT23i)		154	3-087-053-01	+BVTPE5 (3CR)
152	X-2345-053-2	FRONT PANEL ASSY (GT22)				

Re

HCD-GT22/GT22i/GT23/GT3i  
Ver. 1.1

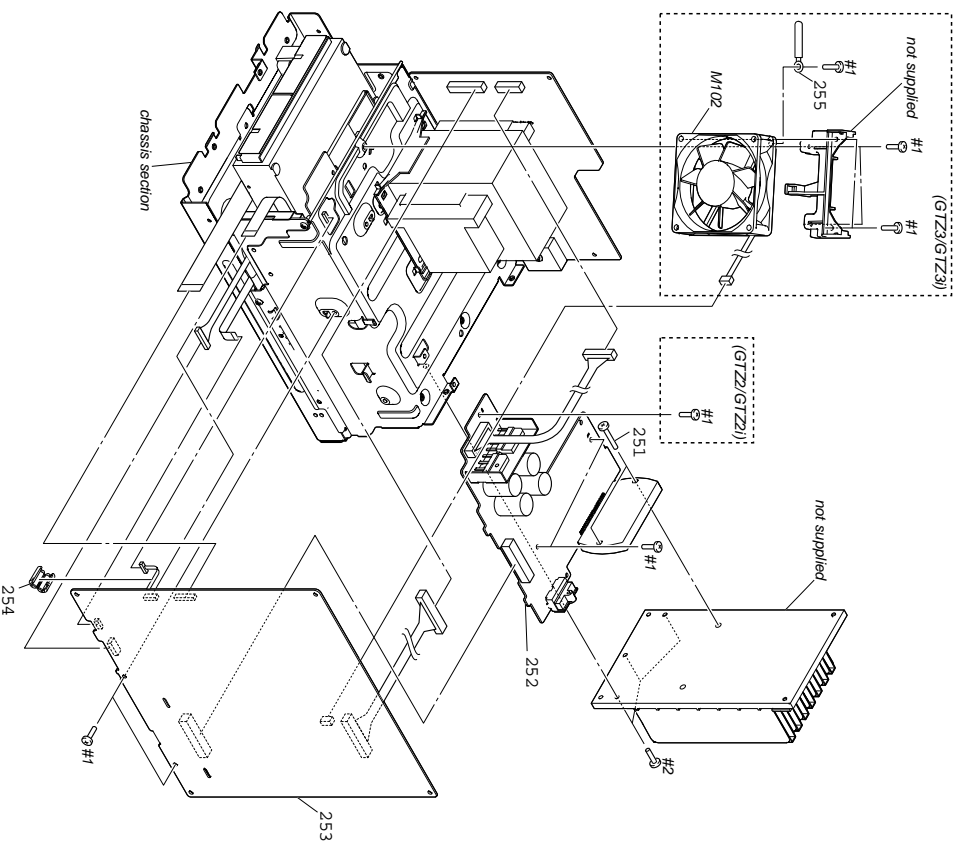
6-5. BACK PANEL SECTION



Ref. No.	Part No.	Description	Remark
201	1-829-962-11	WIRE (FLAT TYPE) (9 CORE) (GT22/GT23)	
201	1-829-962-11	WIRE (FLAT TYPE) (11 CORE) (GT23/GT23i)	
202	1-457-389-12	CORE - FERRITE	
203	3-655-653-11	BAND (TAPE), BINDING	
204	3-703-244-00	CORD BUSH (2104) (EXCEPT MX)	
204	3-703-571-11	CORD BUSH (4516) (MX)	
205	1-693-759-11	TUNER (FM/AM) (GT22/GT23)	
206	1-693-764-22	TUNER (FM/AM) (GT22/GT23)	
206	4-124-216-03	COVER (FAN) (GT23, E2, E3, E3i)	
206	4-124-216-12	COVER (FAN) (GT23, MX, AR, GT23i)	

Ref. No.	Part No.	Description	Remark
206	4-124-216-43	COVER (FAN) (GT22, E3i)	
206	4-124-216-52	COVER (FAN) (GT22, MX, GT23)	
Δ 207	1-777-071-83	CORD, POWER (AEP UK, E2, E3, E3i)	
Δ 207	1-829-387-11	CORD, POWER (AR)	
Δ 207	1-829-627-11	POWER-SUPPLY CORD (MX)	
M101	1-787-344-11	FAN, DC	
#1	7-895-646-79	SCREW +8VTP 3X8 TYPE2 IT-3	
#3	7-895-648-79	SCREW +8VTP 3X12 TYPE2 IT-3	
#4	7-895-871-01	SCREW +8VTT 3X6 (S)	

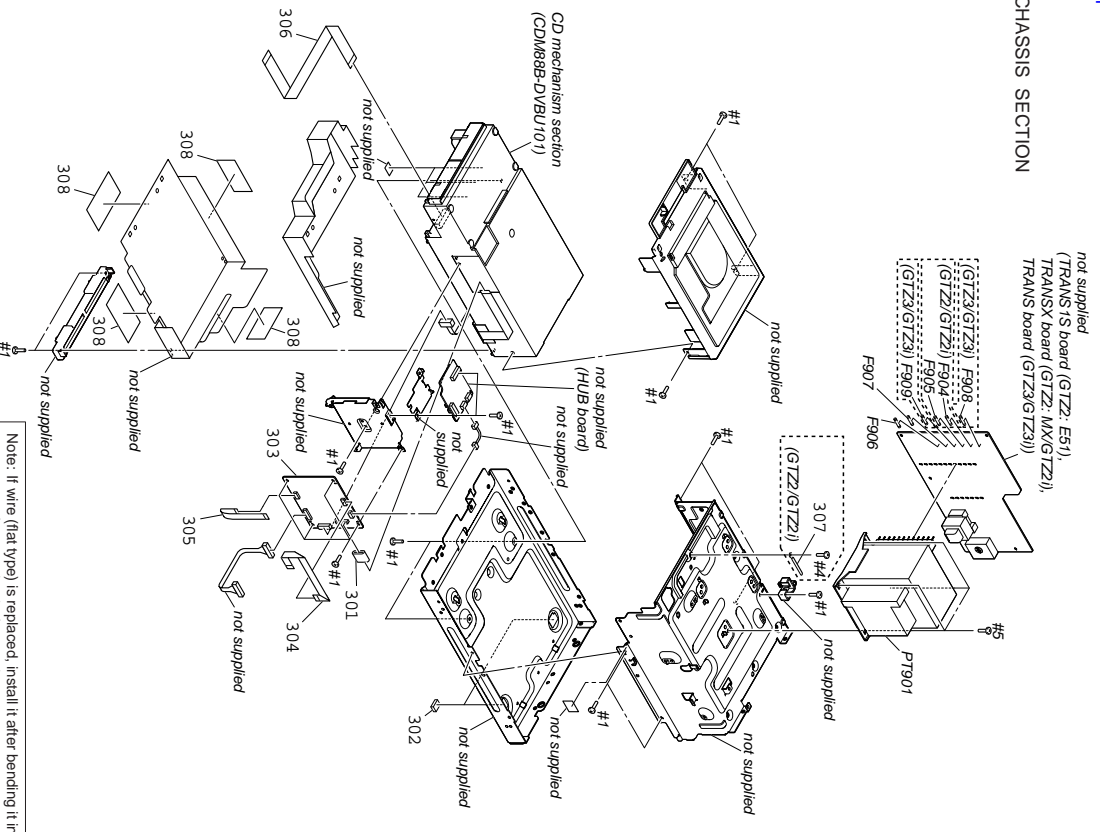
6-6. MAIN BOARD SECTION



Rel. No.	Part No.	Description	Remark	Rel. No.	Part No.	Description
251	3-905-609-31	SCREW (TRANSISTOR)		253	A-1717-189A-A	MAIN BOARD COMPLETE (GT23: MX)
252	A-1680-548-A	POWER AMP BOARD COMPLETE (GT22: E5)		233	A-1717-201-A	MAIN BOARD COMPLETE (GT23: E5)
252	A-1680-551-A	POWER AMP BOARD COMPLETE (GT22)		253	A-1717-204-A	MAIN BOARD COMPLETE (GT23: AR)
252	A-1680-555-A	POWER AMP BOARD COMPLETE (GT23)		253	A-1717-950-A	MAIN BOARD COMPLETE (GT22: MX)
252	A-1680-558-A	POWER AMP BOARD COMPLETE (GT23)		253	A-1718-045-A	MAIN BOARD COMPLETE (GT23: MX)
252	A-1717-946-A	POWER AMP BOARD COMPLETE (GT22: MX)		254	1-543-793-11	FILTER CLAMP (FERRITE CORE)
253	A-1680-520-A	MAIN BOARD COMPLETE (GT22: E51)		* 255	3-703-150-11	CLAMP (GT23/GT23)
253	A-1680-525-A	MAIN BOARD COMPLETE (GT23: E2, E51)			1-763-372-11	FAN DC (GT23/GT23)
253	A-1680-571-A	MAIN BOARD COMPLETE (GT22)			7-683-846-19	SCREW #8/17P 3X8 11PE2 11-3
253	A-1680-575-A	MAIN BOARD COMPLETE (GT23: AEP)		#2	7-685-844-19	SCREW #8/17P 3X10 11PE2 11-3

HCD-GT2Z/GT2Zi/GT23/GT3i  
Ver. 1.1

6-7. CHASSIS SECTION



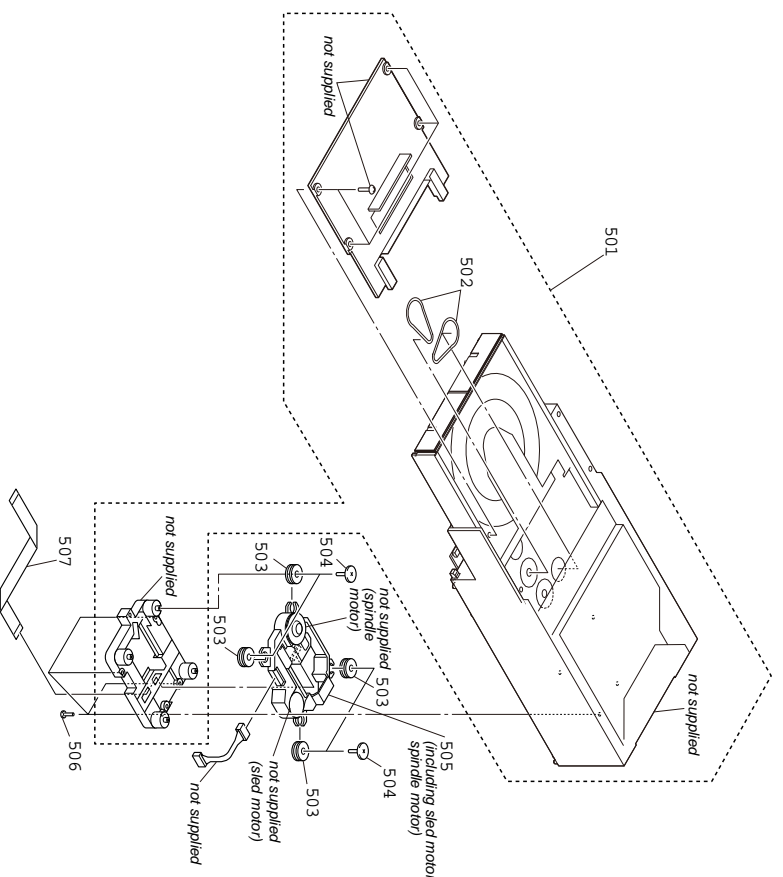
Note: If wire (flat type) is replaced, install it after bending it in the same form as that before replacement.

Ref.No.	Part No.	Description	Remark
301	1-469-829-11	CORE FERRITE	
302	4-225-262-01	CUSHION (FOOT)	
303	A-1693-956-A	DMB19 BOARD COMPLETE (GTZ: E51/GT23: E2, E3, E51, AR)	
303	A-1693-957-A	DMB19 BOARD COMPLETE (GTZ/GT23)	
303	A-1719-645-A	DMB19 BOARD COMPLETE (GTZ: MX/GT3: MX)	
304	1-828-311-11	WIRE (FLAT TYPE) (9 CORE)	
306	1-828-973-11	WIRE (FLAT TYPE) (7 CORE)	
306	1-828-975-11	WIRE (FLAT TYPE) (13 CORE)	
* 307	3-703-150-11	CLAMP (GTZ/GT23)	
308	3-831-441-11	CUSHION SARANET	
△ F904	1-532-505-33	FUSE (T5AL250V) (GTZ/GT23)	
△ F905	1-532-505-33	FUSE (T5AL250V) (GTZ/GT23)	

Ref.No.	Part No.	Description	Remark
△ F906	1-532-504-33	FUSE (T4AL250V)	
△ F907	1-532-503-33	FUSE (T16AL250V)	
△ F908	1-532-506-33	FUSE (T6.3AL250V) (GT23/GT23)	
△ F909	1-532-506-33	FUSE (T6.3AL250V) (GT23/GT23)	
△ PT901	1-445-601-11	POWER TRANSFORMER (GT23)	
△ PT901	1-445-603-11	POWER TRANSFORMER (GTZ: E51)	
△ PT901	1-445-605-11	POWER TRANSFORMER (GTZ: MX)	
△ PT901	1-445-606-11	POWER TRANSFORMER (GTZ: E2, E3, E51, AR)	
△ PT901	1-445-609-11	POWER TRANSFORMER (GTZ2)	
△ PT901	1-445-610-11	POWER TRANSFORMER (GTZ: MX)	
#1	7-686-646-79	SCREW +8VTP 3x8 TYPE2 T1-3	
#4	7-686-871-01	SCREW +8VTT 3x8 (S) (GTZ/GT23)	
#5	7-686-880-09	SCREW +8VTT 4x8 (S)	

HCD-GT2Z/GT2Zi/GT23/G

6-8. CD MECHANISM SECTION (CDM88B-DVBUI01)



Note : If wire (flat type) is replaced, install it after bending it in same form as that before replacement.

Ref. No.	Part No.	Description	Remark
501	1-797-193-72	MECHANICAL CD (DLM3A)	
502	2-632-062-01	BELT (DLM3A)	
503	2-634-418-21	INSULATOR	
504	3-087-399-01	INSULATOR SCREW	
△ 505	8-820-322-04	OPTICAL PICK-UP BLOCK (KHM-313CAB/C2RP) (Including sled motor, spindle motor)	

Ref. No.	Part No.	Description
506	3-087-053-01	+BVT/P2.6 (3CR)
507	1-828-252-11	WIRE (FLAT TYPE) (24 CORE)

Ref.



HCD-GT22/GT22i/GT23/GT23i  
Ver. 1.1  
DISPLAY

SECTION 7  
ELECTRICAL PARTS LIST

When indicating parts by reference number, please include the board name.  
The components identified by mark  $\Delta$  or dotted line with mark  $\Delta$  are critical for safety.  
Replace only with part number specified.

Note:  
• Due to standardization, replacements in the parts list may be different from the parts specified in the diagrams or the components used on the set.  
• -XX and -X mean standardized parts, so they may have some difference from the original one.  
• Items marked "u" are not stocked since they are seldom required for routine service. Some delay should be anticipated when ordering these items.  
• All resistors are in ohms.  
• METAL: Metal-film resistor.  
• METAL OXIDE: Metal oxide-film resistor.  
• F: nonflammable

Ref. No.	Part No.	Description	Remark
	A-1690-094-A	DISPLAY BOARD COMPLETE (GT22/GT22i)	
	A-1711-928-A	DISPLAY BOARD COMPLETE (GT23/GT23i)	
	*****		
	< CAPACITOR >		
C136	1-124-257-00	ELECT 22uF 20%	50V
C137	1-126-961-11	ELECT 22uF 20%	50V
C138	1-162-927-11	CERAMIC CHIP 100PF	5%
C140	1-115-467-11	CERAMIC CHIP 0.22uF	10%
C147	1-126-965-91	ELECT 22uF	20%
C150	1-164-156-11	CERAMIC CHIP 0.1uF	25V
C151	1-162-927-11	CERAMIC CHIP 100PF	5%
C152	1-162-927-11	CERAMIC CHIP 100PF	5%
C153	1-162-927-11	CERAMIC CHIP 100PF	5%
C155	1-126-947-11	ELECT 47uF	20%
C156	1-164-156-11	CERAMIC CHIP 0.1uF	25V
	< CONNECTOR >		
CN1100	1-784-788-11	CONNECTOR, FCC 27P	
CN1102	1-564-720-11	PIN, CONNECTOR (SMALL TYPE) 4P	
CN1103	1-564-719-11	PIN, CONNECTOR (SMALL TYPE) 3P	
	< DIODE >		
D1101	6-502-861-01	LED 1L034FV22D0D(T09 (U $\odot$ STANDBY)	
D1102	6-501-752-01	DIODE MA28082GML(S)	
D1104	8-719-060-27	LED SLR-325MCT31 (SUBWOOFER)	(GT23/GT23i)
D1105	6-501-691-01	LED 1L434FV22D0D(TF01 (STREAM))	
D1106	6-501-691-01	LED 1L434FV22D0D(TF01 (STREAM))	
D1107	6-501-691-01	LED 1L434FV22D0D(TF01 (STREAM))	
D1108	6-501-691-01	LED 1L434FV22D0D(TF01 (STREAM))	
D1109	6-501-691-01	LED 1L434FV22D0D(TF01 (STREAM))	
D1110	6-501-691-01	LED 1L434FV22D0D(TF01 (STREAM))	
	< FLUORESCENT INDICATOR TUBE >		
FL1100	1-483-077-11	VACUUM FLUORESCENT DISPLAYS	
	< IC >		
IC1100	6-711-566-01	IC NL124HH400B-SA	
IC1101	6-713-660-01	IC PT6324-Q	
	< TRANSISTOR >		
Q1114	6-531-696-01	TRANSISTOR ISA1235AC1TP-1EF	
Q1115	6-551-696-01	TRANSISTOR ISA1235AC1TP-1EF	
Q1116	8-729-620-07	TRANSISTOR 2SC3062EF-T1-1EF	

• CAPACITORS  
uF: uF  
COILS  
uH: uH  
• SEMICONDUCTORS  
In each case, u,  $\mu$ , for example:  
uA...: uA... uPA...: uPA...  
uPB...: uPB... uPC...: uPC...  
uPD...: uPD...  
• Abbreviation  
AR : Argentine model  
E2 : 120V/AC area in E model  
E3 : 240V/AC area in E model  
ES1 : Chilean and Peruvian models  
MX : Mexican model

Ref. No.	Part No.	Description	Remark
Q1117	8-729-620-07	TRANSISTOR 2SC3062EF-T1-1EF	
Q1118	8-729-620-07	TRANSISTOR 2SC3062EF-T1-1EF	
	< RESISTOR >		
Q1119	8-729-620-07	TRANSISTOR 2SC3062EF-T1-1EF	
Q1120	8-729-620-07	TRANSISTOR 2SC3062EF-T1-1EF	
Q1121	8-729-620-07	TRANSISTOR 2SC3062EF-T1-1EF	
Q1122	8-729-620-07	TRANSISTOR 2SC3062EF-T1-1EF	
R1100	1-216-819-11	METAL CHIP 680	5%
R1101	1-216-821-11	METAL CHIP 1K	5%
R1102	1-216-823-11	METAL CHIP 1.5K	5%
R1103	1-216-823-11	METAL CHIP 1.5K	5%
R1104	1-216-825-11	METAL CHIP 2.2K	5%
R1105	1-216-827-11	METAL CHIP 3.3K	5%
R1106	1-216-829-11	METAL CHIP 4.7K	5%
R1107	1-216-867-11	METAL CHIP 6.8K	0.5%
R1108	1-216-833-11	METAL CHIP 10K	5%
R1109	1-216-835-11	METAL CHIP 15K	5%
R1110	1-216-837-11	METAL CHIP 22K	5%
R1112	1-216-839-11	METAL CHIP 33K	5%
R1113	1-216-819-11	METAL CHIP 680	5%
R1114	1-216-821-11	METAL CHIP 1K	5%
R1115	1-216-823-11	METAL CHIP 1.5K	5%
R1116	1-216-823-11	METAL CHIP 1.5K	5%
R1117	1-216-825-11	METAL CHIP 2.2K	5%
R1118	1-216-827-11	METAL CHIP 3.3K	5%
R1119	1-216-829-11	METAL CHIP 4.7K	5%
R1120	1-216-867-11	METAL CHIP 6.8K	0.5%
R1156	1-216-864-11	SHORT CHIP 0	
R1158	1-216-841-11	METAL CHIP 47K	5%
R1160	1-216-841-11	METAL CHIP 47K	5%
R1161	1-216-821-11	METAL CHIP 1K	5%
R1162	1-216-819-11	METAL CHIP 680	5%
R1163	1-216-821-11	METAL CHIP 1K	5%
R1164	1-216-823-11	METAL CHIP 1.5K	5%
R1165	1-216-823-11	METAL CHIP 1.5K	5%
R1166	1-216-825-11	METAL CHIP 2.2K	5%
R1167	1-216-827-11	METAL CHIP 3.3K	5%
R1168	1-216-829-11	METAL CHIP 4.7K	5%
R1169	1-218-867-11	METAL CHIP 6.8K	0.5%
R1170	1-216-833-11	METAL CHIP 10K	5%
R1171	1-216-833-11	METAL CHIP 10K	5%
R1173	1-216-821-11	METAL CHIP 1K	5%

Ref. No.	Part No.	Description	Remark
R1173	1-216-821-11	METAL CHIP 1K	5%
	(GT23/GT23i)		

HCD-GTZ2/GTZ2i/GTZ3/G  
**DISPLAY** **DM**

Ref. No.	Part No.	Description	QTY	5%	Remark
R1174	1-216-921-11	METAL CHIP	1K	5%	1/10W
R1175	1-216-909-11	METAL CHIP	100	5%	(GTZ3/GTZ3i)
R1177	1-216-917-11	METAL CHIP	470	5%	1/10W
R1178	1-216-919-11	METAL CHIP	880	5%	1/10W
R1180	1-216-917-11	METAL CHIP	470	5%	1/10W
R1181	1-216-925-11	METAL CHIP	2.2K	5%	1/10W
R1183	1-216-941-11	METAL CHIP	47K	5%	1/10W
R1185	1-216-933-11	METAL CHIP	10K	5%	1/10W
R1189	1-216-919-11	METAL CHIP	880	5%	1/10W
R1190	1-216-919-11	METAL CHIP	880	5%	1/10W
R1195	1-216-919-11	METAL CHIP	880	5%	1/10W
R1196	1-216-919-11	METAL CHIP	880	5%	1/10W
R1198	1-216-919-11	METAL CHIP	880	5%	1/10W
R1199	1-216-919-11	METAL CHIP	880	5%	1/10W
R1201	1-216-933-11	METAL CHIP	10K	5%	1/10W
R1203	1-216-933-11	METAL CHIP	10K	5%	1/10W
R1205	1-216-933-11	METAL CHIP	10K	5%	1/10W
R1207	1-216-933-11	METAL CHIP	10K	5%	1/10W
R1209	1-216-909-11	METAL CHIP	100	5%	1/10W
R1210	1-216-909-11	METAL CHIP	100	5%	1/10W
R1211	1-216-909-11	METAL CHIP	100	5%	1/10W
R1215	1-216-945-11	METAL CHIP	100K	5%	1/10W

< SWITCH >

Ref. No.	Part No.	Description	QTY	5%	Remark
C101	1-162-970-11	CERAMIC CHIP	0.01uF	10%	25V
C102	1-107-826-11	CERAMIC CHIP	0.1uF	10%	16V
C103	1-164-300-11	CERAMIC CHIP	0.1uF	10%	(GTZ2)
C104	1-162-970-11	CERAMIC CHIP	0.01uF	10%	25V
C105	1-128-994-21	ELECT CHIP	47uF	20%	(GTZ2)
C106	1-162-970-11	CERAMIC CHIP	0.01uF	10%	25V
C108	1-162-965-11	CERAMIC CHIP	0.0015uF	10%	50V
C111	1-107-826-11	CERAMIC CHIP	0.1uF	10%	16V
C112	1-128-994-21	ELECT CHIP	47uF	20%	10V
C113	1-162-970-11	CERAMIC CHIP	0.01uF	10%	25V
C115	1-107-826-11	CERAMIC CHIP	0.1uF	10%	16V
C116	1-107-826-11	CERAMIC CHIP	0.1uF	10%	16V
C118	1-124-779-00	ELECT CHIP	10uF	20%	16V
C119	1-137-710-91	CERAMIC CHIP	10uF	20%	6.3V
C124	1-165-906-11	CERAMIC CHIP	1uF	10%	10V
C125	1-107-826-11	CERAMIC CHIP	0.1uF	10%	16V
C126	1-137-710-91	CERAMIC CHIP	10uF	20%	6.3V
C127	1-165-906-11	CERAMIC CHIP	1uF	10%	10V
C144	1-162-970-11	CERAMIC CHIP	0.01uF	10%	25V
C145	1-162-970-11	CERAMIC CHIP	0.01uF	10%	25V
C146	1-165-906-11	CERAMIC CHIP	1uF	10%	10V
C149	1-162-970-11	CERAMIC CHIP	0.01uF	10%	25V
C150	1-162-970-11	CERAMIC CHIP	0.01uF	10%	25V
C151	1-162-970-11	CERAMIC CHIP	0.01uF	10%	25V
C152	1-162-916-11	CERAMIC CHIP	12PF	5%	50V
C153	1-162-916-11	CERAMIC CHIP	12PF	5%	50V
C154	1-107-826-11	CERAMIC CHIP	0.1uF	10%	16V
C155	1-107-826-11	CERAMIC CHIP	0.1uF	10%	16V
C156	1-162-970-11	CERAMIC CHIP	0.01uF	10%	25V
C160	1-162-970-11	CERAMIC CHIP	0.01uF	10%	25V
C168	1-107-826-11	CERAMIC CHIP	0.1uF	10%	16V
C169	1-107-826-11	CERAMIC CHIP	0.1uF	10%	16V
C172	1-162-970-11	CERAMIC CHIP	0.01uF	10%	25V
C175	1-162-970-11	CERAMIC CHIP	0.01uF	10%	25V
C179	1-107-826-11	CERAMIC CHIP	0.1uF	10%	16V
C180	1-107-826-11	CERAMIC CHIP	0.1uF	10%	16V
C181	1-107-826-11	CERAMIC CHIP	0.1uF	10%	16V
C183	1-165-906-11	CERAMIC CHIP	1uF	10%	10V
C188	1-164-315-11	CERAMIC CHIP	47PF	5%	50V
C190	1-128-995-21	ELECT CHIP	100uF	20%	10V
C191	1-107-826-11	CERAMIC CHIP	0.1uF	10%	16V
C192	1-162-970-11	CERAMIC CHIP	0.01uF	10%	16V
C193	1-127-715-11	CERAMIC CHIP	0.22uF	10%	25V
C195	1-127-715-11	CERAMIC CHIP	0.22uF	10%	16V
C197	1-107-826-11	CERAMIC CHIP	0.1uF	10%	16V
C198	1-165-906-11	CERAMIC CHIP	1uF	10%	10V
C199	1-162-968-11	CERAMIC CHIP	0.0047uF	10%	50V
C203	1-162-970-11	CERAMIC CHIP	0.01uF	10%	25V
C205	1-164-230-11	CERAMIC CHIP	220PF	5%	50V
C206	1-164-230-11	CERAMIC CHIP	220PF	5%	50V
C208	1-162-970-11	CERAMIC CHIP	0.01uF	10%	25V

\*\*\*\*\*  
 S1131 1-771-410-21 SWITCH, TACTILE (DISC 3)  
 S1132 1-771-410-21 SWITCH, TACTILE (OPEN/CLOSE)  
 \*\*\*\*\*

S1115 1-771-410-21 SWITCH, TACTILE TUNING + (▶▶▶▶▶)  
 S1116 1-771-410-21 SWITCH, TACTILE (▶▶▶▶▶)  
 S1117 1-771-410-21 SWITCH, TACTILE (▶▶▶▶▶)  
 S1118 1-771-410-21 SWITCH, TACTILE (FOLDER +)  
 S1119 1-771-410-21 SWITCH, TACTILE (TUNER/BAND)

S1121 1-771-410-21 SWITCH, TACTILE (PC)  
 S1122 1-771-410-21 SWITCH, TACTILE (SUBWOOFER) (GTZ3/GTZ2i)  
 S1123 1-771-410-21 SWITCH, TACTILE (DISC SKIP/EX-CHANGE)  
 S1124 1-771-410-21 SWITCH, TACTILE (USB A)  
 S1125 1-771-410-21 SWITCH, TACTILE (RETURN)

S1126 1-771-410-21 SWITCH, TACTILE (REC TO USB)  
 S1127 1-771-410-21 SWITCH, TACTILE (ENTER)  
 S1128 1-771-410-21 SWITCH, TACTILE (USB B)  
 S1129 1-771-410-21 SWITCH, TACTILE (DISC 1)  
 S1130 1-771-410-21 SWITCH, TACTILE (DISC 2)

S1100 1-771-410-21 SWITCH, TACTILE (I/O STANDBY)  
 S1101 1-771-410-21 SWITCH, TACTILE (DISPLAY)  
 S1102 1-771-410-21 SWITCH, TACTILE (METER MODE)  
 S1103 1-771-410-21 SWITCH, TACTILE (OPTIONS)  
 S1104 1-771-410-21 SWITCH, TACTILE (ERASE)

S1105 1-771-410-21 SWITCH, TACTILE (SURROUND)  
 S1106 1-771-410-21 SWITCH, TACTILE (EQ BAND)  
 S1107 1-771-410-21 SWITCH, TACTILE (GROOVE)  
 S1108 1-771-410-21 SWITCH, TACTILE (PRESET EQ)  
 S1109 1-771-410-21 SWITCH, TACTILE (REC TIMER)

S1110 1-771-410-21 SWITCH, TACTILE (CD)  
 S1111 1-771-410-21 SWITCH, TACTILE (FOLDER -)  
 S1112 1-771-410-21 SWITCH, TACTILE (▶)  
 S1113 1-771-410-21 SWITCH, TACTILE TUNING - (◀◀◀◀◀)  
 S1114 1-771-410-21 SWITCH, TACTILE (USB)

HCD-GT22/GT22i/GT23/GT23i  
DMB19

Ref. No.	Part No.	Description	Remark	Ref. No.	Part No.	Description	Remark
C209	1-164-677-11	CERAMIC CHIP 0.033uF	16V	FB108	1-469-324-21	FERRITE, EMI (SMD) (2012)	
C210	1-162-970-11	CERAMIC CHIP 0.01uF	10%	FB603	1-469-324-21	FERRITE, EMI (SMD) (2012)	
C211	1-164-677-11	CERAMIC CHIP 0.033uF	10%	FB607	1-469-324-21	FERRITE, EMI (SMD) (2012)	
C212	1-162-970-11	CERAMIC CHIP 0.01uF	10%	FB1264	1-469-118-21	FERRITE, EMI (SMD) (1608)	
C213	1-162-970-11	CERAMIC CHIP 0.01uF	10%	FB1265	1-469-118-21	FERRITE, EMI (SMD) (1608)	
C214	1-162-964-11	CERAMIC CHIP 0.001uF	10%	FB1266	1-469-118-21	FERRITE, EMI (SMD) (1608)	
C215	1-162-970-11	CERAMIC CHIP 0.01uF	10%	FB1267	1-469-118-21	FERRITE, EMI (SMD) (1608)	
C216	1-162-970-11	CERAMIC CHIP 0.01uF	10%	FB1268	1-469-118-21	FERRITE, EMI (SMD) (1608)	
C217	1-117-684-11	ELECT CHIP 100uF	16V			< FLUTER >	
C218	1-128-994-21	ELECT CHIP 47uF	10V				
C219	1-162-970-11	CERAMIC CHIP 0.01uF	10%				
C220	1-128-994-21	ELECT CHIP 47uF	20%				
C221	1-164-380-11	CERAMIC CHIP 0.1uF	16V				
C222	1-164-380-11	CERAMIC CHIP 0.1uF	16V	FL803	1-234-494-21	FILTER, EMI REMOVAL (SMD)	
C224	1-162-970-11	CERAMIC CHIP 0.01uF	10%			< IC >	
C233	1-162-968-11	CERAMIC CHIP 0.0047uF	10%				
C302	1-128-891-11	CERAMIC CHIP 0.47uF	10%	IC01	6-713-721-01	IC C/D9968R	
C602	1-128-965-21	ELECT CHIP 100uF	10V	IC02	(Not supplied)	IC MZX5166SDM21-12S	
C603	1-128-995-21	ELECT CHIP 100uF	10V	IC04	6-711-090-01	IC K4S64F32K1JC60T	
C604	1-128-995-21	ELECT CHIP 100uF	10V	IC06	6-713-555-01	IC MFI341S2161 (G1TZ)(GT23)	
C608	1-107-826-11	CERAMIC CHIP 0.1uF	10%	IC07	6-702-302-01	IC TK11133CSQLG	
C611	1-100-566-91	CERAMIC CHIP 0.1uF	10%	IC11	6-706-838-01	IC MM1661JHBE	
C620	1-164-380-11	CERAMIC CHIP 0.1uF	16V	IC201	6-704-524-01	IC FAN803BL	
C621	1-164-380-11	CERAMIC CHIP 0.1uF	16V	IC4601	6-710-808PWR	IC PCH1808PWR	
C622	1-164-380-11	CERAMIC CHIP 0.1uF	16V	IC4602	6-704-819-01	IC CS4335-KSZR	
C623	1-164-380-11	CERAMIC CHIP 0.1uF	16V			< TRANSISTOR >	
C1504	1-162-980-11	CERAMIC CHIP 22PF	10%	Q101	6-550-008-01	FET UM6K1N-17N	
C1505	1-162-970-11	CERAMIC CHIP 0.01uF	10%	Q102	6-550-653-01	TRANSISTOR QST8TR	
C1506	1-162-964-11	CERAMIC CHIP 0.001uF	10%	Q103	8-729-027-82	TRANSISTOR DTC124EKA-1146	
C1507	1-107-826-11	CERAMIC CHIP 0.1uF	10%			< RESISTOR/FERRITE BEAD >	
C1512	1-107-826-11	CERAMIC CHIP 0.1uF	10%	R101	1-216-809-11	METAL CHIP 100	1/10W
C1602	1-164-380-11	CERAMIC CHIP 0.1uF	16V	R102	1-216-864-11	SHORT CHIP 0	
C1603	1-164-380-11	CERAMIC CHIP 0.1uF	16V	R103	1-218-864-11	METAL CHIP 5.1K	0.5%
C1606	1-164-380-11	CERAMIC CHIP 0.1uF	16V	R104	1-216-864-11	SHORT CHIP 0 (G1TZ)(G1TZ3)	1/10W
C1607	1-107-826-11	CERAMIC CHIP 0.1uF	10%	R105	1-216-864-11	SHORT CHIP 0 (G1TZ)(G1TZ3)	
C1612	1-107-826-11	CERAMIC CHIP 0.1uF	10%	R107	1-216-833-11	METAL CHIP 10K	5%
C1613	1-107-826-11	CERAMIC CHIP 0.1uF	10%	R108	1-216-857-11	METAL CHIP 1M	5%
C1622	1-162-927-11	CERAMIC CHIP 100PF	5%	R109	1-216-809-11	METAL CHIP 100	1/10W
C1623	1-162-927-11	CERAMIC CHIP 100PF	5%	R110	1-216-844-11	METAL CHIP 47K	5%
C1626	1-162-970-11	CERAMIC CHIP 0.01uF	10%	R111	1-216-809-11	METAL CHIP 100	5%
		< CONNECTOR >		R112	1-211-977-11	METAL CHIP 22	0.5%
CN1106	1-784-861-51	CONNECTOR, FFC (LIF (NON-ZIF)) 9P		R113	1-211-977-11	METAL CHIP 22	0.5%
CN1105	1-750-005-11	PNL CONNECTOR (PC BOARD) 9P		R114	1-216-845-11	METAL CHIP 100K	5%
CN1105	1-750-005-11	PNL CONNECTOR (PC BOARD) 4P		R115	1-211-977-11	METAL CHIP 22	0.5%
CN1105	1-750-005-11	PNL CONNECTOR (PC BOARD) 9P		R116	1-216-821-11	METAL CHIP 1K	5%
CN1106	1-784-861-51	CONNECTOR, FFC (LIF (NON-ZIF)) 9P		R117	1-216-841-11	METAL CHIP 47K	1/10W
CN1105	1-770-470-21	PNL CONNECTOR (PC BOARD) 6P		R118	1-216-801-11	METAL CHIP 22	5%
CN1105	1-770-470-21	PNL CONNECTOR (PC BOARD) 6P		R120	1-216-880-11	METAL CHIP 22	5%
CN1105	1-770-470-21	PNL CONNECTOR (PC BOARD) 6P		R121	1-216-801-11	METAL CHIP 22	5%
CN1105	1-780-785-21	PNL CONNECTOR (PC BOARD) 4P		R122	1-216-833-11	METAL CHIP 10K	1/10W
CN1105	1-780-785-21	PNL CONNECTOR (PC BOARD) 9P		R123	1-216-809-11	METAL CHIP 100	5%
CN1105	1-780-785-21	PNL CONNECTOR (PC BOARD) 4P		R124	1-216-841-11	METAL CHIP 47K	5%
CN1105	1-780-785-21	PNL CONNECTOR (PC BOARD) 9P		R125	1-216-833-11	METAL CHIP 10K	5%
CN1105	1-780-785-21	PNL CONNECTOR (PC BOARD) 4P		R133	1-216-864-11	SHORT CHIP 0	
CN1105	1-780-785-21	PNL CONNECTOR (PC BOARD) 9P		R136	1-216-835-11	METAL CHIP 15K	5%
		< DIODE >		R142	1-216-845-11	METAL CHIP 100K	1/10W
D001	6-500-848-01	DIODE MC2840-T112-1		R156	1-216-809-11	METAL CHIP 100	5%
D002	6-500-848-01	DIODE MC2840-T112-1		R204	1-216-822-11	METAL CHIP 1.2K	5%
D003	6-500-848-01	DIODE MC2840-T112-1		R205	1-216-833-11	METAL CHIP 10K	5%
D004	6-500-848-01	DIODE MC2840-T112-1					
D005	6-500-848-01	DIODE MC2840-T112-1					
		< EARTH TERMINAL >					
ET001	1-780-482-11	EARTH TERMINAL					
ET002	1-780-482-11	EARTH TERMINAL					
ET003	1-780-482-11	EARTH TERMINAL					
ET004	1-780-482-11	EARTH TERMINAL					

Note: When IC102 cannot exchange with single. When this part is damaged, exchange the entire mounted board.



HCD-GT22/GT22I/GT23/GT3I  
Ver. 1.1  
HUB MAIN

Ref. No.	Part No.	Description	Remark	Ref. No.	Part No.	Description	Remark		
C1504	1-162-919-11	CERAMIC CHIP 22PF	5%	50V	R1515	1-216-833-11	METAL CHIP 10K	5%	1/10W
C1505	1-162-970-11	CERAMIC CHIP 0.01uF	10%	25V	R1516	1-216-815-11	METAL CHIP 330	5%	50V
C1506	1-162-970-11	CERAMIC CHIP 0.01uF	10%	25V	R1517	1-218-446-11	METAL CHIP 1	5%	1/10W
C1507	1-100-597-91	CERAMIC CHIP 0.1uF	10%	25V	R1518	1-218-446-11	METAL CHIP 1	5%	1/10W
C1508	1-165-989-11	CERAMIC CHIP 10uF	10%	6.3V	R1519	1-218-446-11	METAL CHIP 1	5%	1/10W
C1510	1-100-597-91	CERAMIC CHIP 0.1uF	10%	25V	R1520	1-218-446-11	METAL CHIP 1	5%	1/10W
C1511	1-162-970-11	CERAMIC CHIP 0.01uF	10%	25V	R1521	1-218-446-11	METAL CHIP 1	5%	1/10W
C1512	1-165-989-11	CERAMIC CHIP 10uF	10%	6.3V	R1522	1-218-446-11	METAL CHIP 1	5%	1/10W
C1513	1-162-970-11	CERAMIC CHIP 0.01uF	10%	25V	R1523	1-218-446-11	METAL CHIP 1	5%	1/10W
C1514	1-165-989-11	CERAMIC CHIP 10uF	10%	6.3V	R1524	1-218-446-11	METAL CHIP 1	5%	1/10W
C1515	1-162-970-11	CERAMIC CHIP 0.01uF	10%	25V	R1525	1-218-446-11	METAL CHIP 1	5%	1/10W
C1516	1-162-970-11	CERAMIC CHIP 0.01uF	10%	25V	R1526	1-218-446-11	METAL CHIP 1	5%	1/10W
C1517	1-100-597-91	CERAMIC CHIP 0.1uF	10%	25V	R1527	1-216-809-11	METAL CHIP 1M	5%	1/10W
C1518	1-100-568-91	CERAMIC CHIP 0.1uF	10%	25V	R1530	1-216-857-11	METAL CHIP 100K	5%	1/10W
C1519	1-100-152-91	CERAMIC CHIP 10uPF	5%	100V	R1533	1-216-845-11	METAL CHIP 100K	5%	1/10W
C1520	1-126-204-11	ELECT CHIP 47uF	20%	18V	R1535	1-200-566-91	CERAMIC CHIP 0.1uF	10%	25V
C1521	1-162-964-11	CERAMIC CHIP 0.001uF	10%	50V	R1537	1-216-845-11	METAL CHIP 100K	5%	1/10W
C1522	1-100-597-91	CERAMIC CHIP 0.1uF	10%	25V	R1538	1-216-845-11	METAL CHIP 100K	5%	1/10W
C1523	1-100-597-91	CERAMIC CHIP 0.1uF	10%	25V	R1540	1-216-845-11	METAL CHIP 100K	5%	1/10W
C1524	1-100-597-91	CERAMIC CHIP 0.1uF	10%	25V	R1541	1-216-809-11	METAL CHIP 100	5%	1/10W
C1525	1-162-970-11	CERAMIC CHIP 0.01uF	10%	25V	R1542	1-216-845-11	METAL CHIP 100K	5%	1/10W
C1526	1-162-970-11	CERAMIC CHIP 0.01uF	10%	25V	R1543	1-216-833-11	METAL CHIP 10K	5%	1/10W
C1527	1-100-568-91	CERAMIC CHIP 0.1uF	10%	25V	R1544	1-216-833-11	METAL CHIP 10K	5%	1/10W
C1528	1-100-568-91	CERAMIC CHIP 0.1uF	10%	25V	R1546	1-216-809-11	METAL CHIP 100	5%	1/10W
C1529	1-126-204-11	ELECT CHIP 47uF	20%	18V	R1547	1-216-834-11	METAL CHIP 12K	5%	1/10W
C1530	1-162-970-11	CERAMIC CHIP 0.01uF	10%	25V	R1549	1-216-833-11	METAL CHIP 10K	5%	1/10W
CN1500	1-774-731-21	PN, CONNECTOR (PC BOARD) 5P			R1550	1-216-833-11	METAL CHIP 10K	5%	1/10W
CN1501	1-774-729-21	PN, CONNECTOR (PC BOARD) 10P							
CN1502	1-779-992-11	PN, CONNECTOR (PWB) 8P							
< CONNECTOR >									
< EARTH TERMINAL >									
ET1500	1-780-408-11	TERMINAL, LUG			X1500	1-780-613-21	VIBRATOR, CRYSTAL (24MHz)		
ET1501	1-780-408-11	TERMINAL, LUG			*****				
< JUMPER RESISTOR >									
FB1500	1-216-295-91	SHORT CHIP 0			A-1680-520-A	MAIN BOARD COMPLETE (GT2Z, E51)			
FB1501	1-216-295-91	SHORT CHIP 0			A-1680-525-A	MAIN BOARD COMPLETE (GT2Z, E2, E51)			
FB1502	1-216-295-91	SHORT CHIP 0			A-1680-571-A	MAIN BOARD COMPLETE (GT2Z)			
FB1503	1-216-295-91	SHORT CHIP 0			A-1680-575-A	MAIN BOARD COMPLETE (GT2Z; AEF)			
< IC >									
IC1500	8-759-338-95	IC USB2512A-AEZG IC NJM2303V (TE2)			A-1717-201-A	MAIN BOARD COMPLETE (GT2Z, E3)			
< RESISTOR/CAPACTOR >									
R1500	1-216-809-11	METAL CHIP 100	5%	1/10W	C1101	1-164-505-11	CERAMIC CHIP 22uF	16V	
R1501	1-216-833-11	METAL CHIP 10K	5%	1/10W	C1102	1-126-963-11	ELECT 47uF	20%	
R1502	1-216-833-11	METAL CHIP 10K	5%	1/10W	C1105	1-112-514-91	CERAMIC CHIP 1500PF	50V	
R1503	1-216-815-11	METAL CHIP 330	5%	1/10W	C1109	1-126-964-11	ELECT 10uF	20%	
R1504	1-218-446-11	METAL CHIP 1	5%	1/10W	C1111	1-126-966-91	ELECT 0.1uF	30V	
R1505	1-218-446-11	METAL CHIP 1	5%	1/10W	C1112	1-164-156-11	CERAMIC CHIP 0.1uF	25V	
R1506	1-218-446-11	METAL CHIP 1	5%	1/10W	C113	1-126-947-11	ELECT 47uF	20%	
R1507	1-218-446-11	METAL CHIP 1	5%	1/10W	C114	1-164-156-11	CERAMIC CHIP 0.1uF	25V	
R1508	1-218-446-11	METAL CHIP 1	5%	1/10W	C115	1-162-919-11	CERAMIC CHIP 22PF	50V	
R1509	1-218-446-11	METAL CHIP 1	5%	1/10W	C116	1-162-919-11	CERAMIC CHIP 22PF	50V	
R1510	1-218-446-11	METAL CHIP 1	5%	1/10W	C117	1-162-962-11	CERAMIC CHIP 470PF	10%	
R1511	1-218-446-11	METAL CHIP 1	5%	1/10W	C118	1-126-961-11	ELECT 22uF	20%	
R1512	1-218-446-11	METAL CHIP 1	5%	1/10W					
R1513	1-218-446-11	METAL CHIP 1	5%	1/10W					
R1514	1-216-833-11	METAL CHIP 10K	5%	1/10W					

Ref. No.	Part No.	Description	Remark
C119	1-162-968-11	CERAMIC CHIP 0.0068uF	10% 25V
C120	1-162-970-11	CERAMIC CHIP 0.01uF	10% 25V
C121	1-162-961-11	CERAMIC CHIP 330PF	10% 50V
C122	1-162-961-11	CERAMIC CHIP 330PF	10% 50V
C123	1-162-964-11	ELECT	20% 50V
C124	1-126-960-11	ELECT	20% 50V
C127	1-136-498-81	FILM 0.12uF	5% 50V
C128	1-137-188-11	FILM 0.18uF	5% 50V
C129	1-126-961-11	ELECT	2.2uF 20% 50V
C131	1-126-964-11	ELECT	10uF 20% 50V
C132	1-136-161-00	FILM 0.047uF	5% 50V
C133	1-164-227-11	CERAMIC CHIP 0.022uF	10% 25V
C134	1-162-970-11	CERAMIC CHIP 0.01uF	10% 25V
C135	1-162-970-11	CERAMIC CHIP 0.01uF	10% 25V
C139	1-135-934-91	CERAMIC CHIP 2.2uF	6.3V
C142	1-164-346-11	CERAMIC CHIP 1uF	16V
C143	1-164-346-11	CERAMIC CHIP 1uF	16V
C144	1-126-964-11	ELECT	10uF 20% 50V
C146	1-164-346-11	CERAMIC CHIP 1uF	16V
C147	1-126-958-11	ELECT	0.47uF 20% 50V
C148	1-104-658-91	ELECT	100uF 20% 10V
C149	1-104-658-91	ELECT	100uF 20% 10V
C150	1-100-597-91	CERAMIC CHIP 0.1uF	10% 25V
C151	1-100-597-91	CERAMIC CHIP 0.1uF	10% 25V
C152	1-100-597-91	CERAMIC CHIP 0.047uF	10% 50V
C153	1-100-597-91	CERAMIC CHIP 0.1uF	10% 25V
C154	1-126-958-11	ELECT	470uF 20% 16V
C155	1-112-514-91	CERAMIC CHIP 1500PF	5% 50V
C169	1-162-968-11	CERAMIC CHIP 0.0080uF	10% 25V
C177	1-137-188-11	FILM 0.18uF	5% 50V
C178	1-136-498-81	FILM 0.12uF	5% 50V
C179	1-126-961-11	ELECT	2.2uF 20% 50V
C180	1-126-960-11	ELECT	1uF 20% 50V
C181	1-126-964-11	ELECT	10uF 20% 50V
C182	1-136-161-00	FILM 0.047uF	5% 50V
C183	1-162-970-11	CERAMIC CHIP 0.01uF	10% 25V
C184	1-164-227-11	CERAMIC CHIP 0.022uF	10% 25V
C185	1-162-970-11	CERAMIC CHIP 0.01uF	10% 25V
C192	1-164-346-11	CERAMIC CHIP 1uF	16V
C193	1-164-346-11	CERAMIC CHIP 1uF	16V
C194	1-126-964-11	ELECT	10uF 20% 50V
C201	1-126-961-11	ELECT	2.2uF 20% 50V
C211	1-126-964-11	ELECT	10uF 20% 50V
C212	1-164-156-11	CERAMIC CHIP 0.1uF	25V
C213	1-126-964-11	ELECT	10uF 20% 50V
C214	1-128-934-11	CERAMIC CHIP 0.33uF	20% 10V
C215	1-126-964-11	ELECT	10uF 20% 50V
C220	1-126-947-11	ELECT	47uF 20% 35V
C221	1-162-927-11	CERAMIC CHIP 1000PF	5% 50V
C222	1-162-923-11	CERAMIC CHIP 47PF	5% 50V
C223	1-162-919-11	CERAMIC CHIP 22PF	5% 50V
C224	1-107-903-11	ELECT	2.2uF 20% 50V
C224	1-126-961-11	ELECT	2.2uF 20% 50V
C225	1-126-934-11	ELECT	220uF 20% 16V
C227	1-107-903-11	ELECT	2.2uF 20% 50V
C227	1-126-961-11	ELECT	2.2uF 20% 50V

Ref. No.	Part No.	Description	Remark
C242	1-162-962-11	CERAMIC CHIP 470PF	10% 50V
C243	1-100-717-91	CERAMIC CHIP 1uF	16V
C270	1-126-947-11	ELECT	47uF 20% 35V
C271	1-162-927-11	CERAMIC CHIP 100PF	5% 50V
C272	1-162-923-11	CERAMIC CHIP 47PF	5% 50V
C273	1-162-919-11	CERAMIC CHIP 22PF	5% 50V
C274	1-107-903-11	ELECT	2.2uF 20% 50V
C274	1-126-961-11	ELECT	2.2uF 20% 50V
C275	1-162-964-11	(GT22: ES1/GT22i/GT23: E2, E3, E51, AR, ARGT23) CERAMIC CHIP 0.001uF	10% 50V
C277	1-107-903-11	ELECT	2.2uF 20% 50V
C277	1-162-919-11	(GT22: MX/GT23: MX) CERAMIC CHIP 2.2uF	20% 50V
C281	1-162-913-11	(GT22: ES1/GT22i/GT23: E2, E3, E51, AR, ARGT23) CERAMIC CHIP 8PF	0.5PF 50V
C284	1-104-659-91	ELECT	100uF 20% 10V
C286	1-126-925-91	ELECT	470uF 20% 10V
C287	1-126-964-11	ELECT	10uF 20% 50V
C288	1-126-960-11	ELECT	1uF 20% 50V
C290	1-136-167-40	FILM 0.15uF	5% 50V
C292	1-126-960-11	ELECT	1uF 20% 50V
C293	1-100-717-91	CERAMIC CHIP 1uF	16V
C301	1-162-964-11	CERAMIC CHIP 0.001uF	10% 50V
C301	1-162-964-11	FILM 0.008uF	5% 50V
C302	1-136-495-11	FILM 0.008uF	5% 50V
C383	1-136-167-40	FILM 0.15uF	5% 50V
C410	1-162-919-11	CERAMIC CHIP 22PF	5% 50V
C411	1-162-919-11	CERAMIC CHIP 22PF	5% 50V
C414	1-100-597-91	CERAMIC CHIP 0.1uF	10% 25V
C416	1-104-655-91	ELECT	470uF 20% 6.3V
C422	1-165-176-11	CERAMIC CHIP 0.047uF	10% 16V
C423	1-165-176-11	CERAMIC CHIP 0.047uF	10% 16V
C424	1-165-176-11	CERAMIC CHIP 0.047uF	10% 16V
C425	1-165-176-11	CERAMIC CHIP 0.047uF	10% 16V
C426	1-165-176-11	CERAMIC CHIP 0.047uF	10% 16V
C427	1-165-176-11	CERAMIC CHIP 0.047uF	10% 16V
C428	1-165-176-11	CERAMIC CHIP 0.047uF	10% 16V
C429	1-100-597-91	CERAMIC CHIP 0.1uF	10% 25V
C430	1-126-964-11	ELECT	10uF 20% 50V
C431	1-162-964-11	CERAMIC CHIP 0.001uF	10% 50V
C436	1-100-597-91	(GT22: ES1/GT23: E2, E3, E51, AR, ARGT23) CERAMIC CHIP 0.1uF	10% 25V
C488	1-126-964-11	ELECT	10uF 20% 50V
C489	1-100-597-91	CERAMIC CHIP 0.1uF	10% 25V
C500	1-126-964-11	ELECT	10uF 20% 50V
C506	1-136-497-81	FILM 0.1uF	5% 50V
C507	1-136-497-81	FILM 0.1uF	5% 50V
C550	1-100-152-91	CERAMIC CHIP 100PF	5% 100V
C552	1-100-152-91	CERAMIC CHIP 100PF	5% 100V
C553	1-100-152-91	CERAMIC CHIP 100PF	5% 100V
C554	1-100-152-91	CERAMIC CHIP 100PF	5% 100V



Ref. No.	Part No.	Description	Remark	Ref. No.	Part No.	Description	Remark	Ref. No.	Part No.	Description	Remark
JR838	1-216-964-11	SHORT CHIP	0	Q696	8-729-040-76	TRANSISTOR	2SD1659T2Q	R108	1-216-984-11	SHORT CHIP	0
JR839	1-216-296-11	SHORT CHIP	0	Q697	8-729-040-76	TRANSISTOR	KTA1273-Y-AT	R110	1-216-945-11	METAL CHIP	100K
JR840	1-216-964-11	SHORT CHIP	0					R111	1-216-945-11	METAL CHIP	100K
JR841	1-216-296-11	SHORT CHIP	0					R112	1-216-817-11	METAL CHIP	470
JR899	1-216-964-11	SHORT CHIP	0					R113	1-216-824-11	METAL CHIP	15K
		< COIL >									
L600	1-457-747-11	COIL CHOKE	100uH								
L622	1-457-752-11	COIL CHOKE	47uH								
		< TRANSISTOR >									
Q110	8-729-620-07	TRANSISTOR	ZSC3052EF-T1-LEF	R116	1-216-809-11	METAL CHIP	100	R130	1-216-849-11	METAL CHIP	220K
Q111	8-729-620-07	TRANSISTOR	ZSC3052EF-T1-LEF	R117	1-216-835-11	METAL CHIP	15K	R131	1-216-849-11	METAL CHIP	220K
Q112	8-729-620-07	TRANSISTOR	ZSC3052EF-T1-LEF	R118	1-216-838-11	METAL CHIP	27K	R132	1-216-829-11	METAL CHIP	47K
Q113	8-729-040-76	TRANSISTOR	KTA1273-Y-AT (GT23/GT23)	R119	1-216-809-11	METAL CHIP	100	R133	1-216-829-11	METAL CHIP	47K
Q115	8-729-620-07	TRANSISTOR	ZSC3052EF-T1-LEF	R120	1-216-838-11	METAL CHIP	27K	R134	1-216-823-11	METAL CHIP	15K
Q128	8-729-620-07	TRANSISTOR	ZSC3052EF-T1-LEF	R121	1-216-821-11	METAL CHIP	1K	R138	1-216-841-11	METAL CHIP	47K
Q178	8-729-620-07	TRANSISTOR	ZSC3052EF-T1-LEF	R122	1-216-821-11	METAL CHIP	1K	R144	1-216-820-11	METAL CHIP	820
Q210	8-729-620-07	TRANSISTOR	ZSC3052EF-T1-LEF	R127	1-216-821-11	METAL CHIP	1K	R153	1-216-833-11	METAL CHIP	10K
Q211	8-729-620-07	TRANSISTOR	ZSC3052EF-T1-LEF	R128	1-216-835-11	METAL CHIP	15K	R155	1-249-401-91	CARBON	47
Q212	8-729-031-13	TRANSISTOR	KTA1271Y	R129	1-216-825-11	METAL CHIP	22K				
Q214	8-729-620-07	TRANSISTOR	ZSC3052EF-T1-LEF								
Q215	8-729-038-28	TRANSISTOR	RT1N44-C-TP-1								
Q402	8-729-620-07	TRANSISTOR	ZSC3052EF-T1-LEF								
Q430	8-729-620-07	TRANSISTOR	ZSC3052EF-T1-LEF								
Q431	8-729-620-07	TRANSISTOR	ZSC3052EF-T1-LEF (GT23/GT23)								
Q447	6-551-681-01	TRANSISTOR	RT1P43C-TP-1								
Q452	8-729-620-07	TRANSISTOR	ZSC3052EF-T1-LEF								
Q500	8-729-620-07	TRANSISTOR	ZSC3052EF-T1-LEF (GT23/GT23)								
Q501	8-729-620-07	TRANSISTOR	ZSC3052EF-T1-LEF								
Q506	8-729-027-43	TRANSISTOR	DT1C14EKA-T146								
Q627	8-729-037-13	TRANSISTOR	KTA1271Y								
Q628	6-551-276-01	TRANSISTOR	RT1N43C-TP-1								
Q640	6-552-137-01	TRANSISTOR	ZS42166-T112-1W								
Q641	6-552-137-01	TRANSISTOR	ZS42166-T112-1W								
Q643	6-552-138-01	TRANSISTOR	ZSC0853-T112-1F								
Q644	6-552-138-01	TRANSISTOR	ZSC0853-T112-1F								
Q645	6-552-137-01	TRANSISTOR	ZS42166-T112-1W								
Q646	6-552-137-01	TRANSISTOR	ZS42166-T112-1W								
Q647	6-552-138-01	TRANSISTOR	ZSC0853-T112-1F								
Q648	6-552-138-01	TRANSISTOR	ZSC0853-T112-1F								
Q655	8-729-040-76	TRANSISTOR	KTA1273-Y-AT								
Q656	8-729-620-07	TRANSISTOR	ZSC3052EF-T1-LEF								
Q657	6-551-686-01	TRANSISTOR	IS41233AC-TP-1EF								
Q658	6-551-696-01	TRANSISTOR	IS41233AC-TP-1EF								
Q670	8-729-027-23	TRANSISTOR	DTA114EKA-T146								
Q672	8-729-038-28	TRANSISTOR	RT1N44-C-TP-1								
Q673	8-729-038-28	TRANSISTOR	RT1N44-C-TP-1								
Q674	8-729-038-28	TRANSISTOR	RT1N44-C-TP-1								
Q675	6-551-451-01	TRANSISTOR	ZSB1690TL								
Q676	6-551-451-01	TRANSISTOR	ZSB1690TL								
Q677	6-551-451-01	TRANSISTOR	ZSB1690TL								
Q693	8-729-620-07	TRANSISTOR	ZSC3052EF-T1-LEF								
Q694	8-729-620-07	TRANSISTOR	ZSC3052EF-T1-LEF								
Q695	8-729-620-07	TRANSISTOR	ZSC3052EF-T1-LEF								

HCD-GT22/GT22i/GT23/G



HCD-GT22/GT22I/GT23/GT23I  
Ver. 1.1  
MAIN

Ref. No.	Part No.	Description	Remark	Ref. No.	Part No.	Description	Remark			
R214	1-216-819-11	METAL CHIP	680 5%	1/10W						
R215	1-216-833-11	METAL CHIP	10K 5%	1/10W						
R216	1-216-837-11	METAL CHIP	22K 5%	1/10W	R322	1-216-837-11	METAL CHIP	22K 5%	1/10W	(GT23/GT23)
R218	1-216-833-11	METAL CHIP	10K 5%	1/10W	R323	1-216-837-11	METAL CHIP	22K 5%	1/10W	
R220	1-216-829-11	METAL CHIP	4.7K 5%	1/10W	R324	1-216-837-11	METAL CHIP	22K 5%	1/10W	
R220	1-218-707-11	METAL CHIP	4.3K 0.5%	1/10W	R325	1-216-837-11	METAL CHIP	22K 5%	1/10W	
										(GT23/GT23)
R221	1-216-817-11	METAL CHIP	470 5%	1/10W	R326	1-216-837-11	METAL CHIP	22K 5%	1/10W	
R222	1-216-834-11	METAL CHIP	12K 5%	1/10W	R328	1-216-837-11	METAL CHIP	22K 5%	1/10W	
R223	1-216-825-11	METAL CHIP	2.2K 5%	1/10W	R329	1-216-833-11	METAL CHIP	10K 5%	1/10W	
					R330	1-216-833-11	METAL CHIP	10K 5%	1/10W	
R223	1-216-826-11	METAL CHIP	2.7K 5%	1/10W	R361	1-216-833-11	METAL CHIP	10K 5%	1/10W	
					R365	1-216-833-11	METAL CHIP	10K 5%	1/10W	
R223	1-216-827-11	METAL CHIP	3.3K 5%	1/10W	R381	1-216-835-11	METAL CHIP	15K 5%	1/10W	
					R390	1-216-833-11	METAL CHIP	10K 5%	1/10W	
R224	1-216-826-11	METAL CHIP	2.7K 5%	1/10W	R391	1-216-833-11	METAL CHIP	10K 5%	1/10W	
										(GT22/GT23)
R224	1-216-827-11	METAL CHIP	3.3K 5%	1/10W	R392	1-216-811-11	METAL CHIP	150 5%	1/10W	
										(GT22/GT23)
R225	1-216-829-11	METAL CHIP	4.7K 5%	1/10W	R392	1-216-829-11	METAL CHIP	4.7K 5%	1/10W	
										(GT23)
R225	1-218-867-11	METAL CHIP	6.8K 0.5%	1/10W	R392	1-216-884-11	SHORT CHIP	0 (GT22)		(GT23)
										(GT23, UK)
					R393	1-216-815-11	METAL CHIP	330 5%	1/10W	(GT23, E3)
R226	1-216-829-11	METAL CHIP	4.7K 5%	1/10W	R393	1-216-829-11	METAL CHIP	4.7K 5%	1/10W	
										(GT22/GT23, E2, E3, E51, AR)
R226	1-218-867-11	METAL CHIP	6.8K 0.5%	1/10W	R394	1-216-835-11	METAL CHIP	15K 5%	1/10W	
										(GT22, MX/GT23/GT23, MX/GT23)
R227	1-216-841-11	METAL CHIP	4.7K 5%	1/10W	R397	1-216-835-11	METAL CHIP	15K 5%	1/10W	
R228	1-216-821-11	METAL CHIP	1K 5%	1/10W	R398	1-216-809-11	METAL CHIP	100 5%	1/10W	
R229	1-216-825-11	METAL CHIP	2.2K 5%	1/10W	R399	1-216-809-11	METAL CHIP	100 5%	1/10W	
R235	1-216-827-11	METAL CHIP	3.3K 5%	1/10W	R404	1-216-809-11	METAL CHIP	100 5%	1/10W	
R236	1-216-829-11	METAL CHIP	4.7K 5%	1/10W	R409	1-216-833-11	METAL CHIP	10K 5%	1/10W	
R250	1-216-833-11	METAL CHIP	10K 5%	1/10W	R410	1-219-570-11	METAL CHIP	100 5%	1/10W	
R270	1-216-829-11	METAL CHIP	4.7K 5%	1/10W	R411	1-216-809-11	METAL CHIP	220K 5%	1/10W	
										(GT23/GT23)
R270	1-218-707-11	METAL CHIP	4.3K 0.5%	1/10W	R422	1-216-821-11	METAL CHIP	1K 5%	1/10W	
										(GT22/GT22)
R271	1-216-817-11	METAL CHIP	470 5%	1/10W	R423	1-216-821-11	METAL CHIP	1K 5%	1/10W	
R272	1-216-834-11	METAL CHIP	12K 5%	1/10W	R424	1-216-821-11	METAL CHIP	1K 5%	1/10W	
R276	1-216-841-11	METAL CHIP	4.7K 5%	1/10W	R425	1-216-821-11	METAL CHIP	1K 5%	1/10W	
R277	1-216-841-11	METAL CHIP	4.7K 5%	1/10W	R426	1-216-821-11	METAL CHIP	1K 5%	1/10W	
R278	1-216-821-11	METAL CHIP	1K 5%	1/10W						
R279	1-216-825-11	METAL CHIP	2.2K 5%	1/10W	R427	1-216-821-11	METAL CHIP	1K 5%	1/10W	
R280	1-216-838-11	METAL CHIP	2.7K 5%	1/10W	R431	1-216-809-11	METAL CHIP	100 5%	1/10W	
R282	1-216-845-11	METAL CHIP	100K 5%	1/10W	R433	1-216-809-11	METAL CHIP	100 5%	1/10W	
R283	1-218-867-11	METAL CHIP	6.8K 0.5%	1/10W	R434	1-216-809-11	METAL CHIP	100 5%	1/10W	
R284	1-216-832-11	METAL CHIP	8.2K 5%	1/10W	R435	1-216-809-11	METAL CHIP	100 5%	1/10W	
										(GT23/GT23)
R285	1-216-841-11	METAL CHIP	47K 5%	1/10W	R436	1-216-809-11	METAL CHIP	100 5%	1/10W	
R286	1-216-841-11	METAL CHIP	47K 5%	1/10W	R437	1-216-809-11	METAL CHIP	100 5%	1/10W	
R288	1-216-841-11	METAL CHIP	47K 5%	1/10W	R438	1-216-809-11	METAL CHIP	100 5%	1/10W	
R289	1-216-825-11	METAL CHIP	2.2K 5%	1/10W	R439	1-216-809-11	METAL CHIP	100 5%	1/10W	
R291	1-218-867-11	METAL CHIP	6.8K 0.5%	1/10W	R440	1-216-809-11	METAL CHIP	100 5%	1/10W	
										(GT23/GT23)
					R441	1-216-809-11	METAL CHIP	100 5%	1/10W	
					R450	1-216-809-11	METAL CHIP	100 5%	1/10W	
					R451	1-216-833-11	METAL CHIP	10K 5%	1/10W	
					R452	1-216-833-11	METAL CHIP	10K 5%	1/10W	
										(GT23/GT23)
					R462	1-216-809-11	METAL CHIP	100 5%	1/10W	
					R463	1-216-809-11	METAL CHIP	100 5%	1/10W	
					R466	1-216-809-11	METAL CHIP	100 5%	1/10W	
					R467	1-216-809-11	METAL CHIP	100 5%	1/10W	

HCD-GT22/GT21/GT23/G1

Ref. No.	Part No.	Description	Remark	Ref. No.	Part No.	Description	Remark	Ref. No.	Part No.	Description	Remark
R468	1-216-813-11	METAL CHIP	220	5%	1/10W	R617	1-216-825-11	METAL CHIP	22K	5%	1/14
R474	1-216-809-11	METAL CHIP	100	5%	1/10W	R620	1-216-834-11	METAL CHIP	12K	5%	1/14
R475	1-216-809-11	METAL CHIP	100	5%	1/10W	R621	1-216-864-11	SHORT CHIP	0	5%	1/14
R476	1-216-809-11	METAL CHIP	100	5%	(GT22)(GT23)	R622	1-216-823-11	METAL CHIP	1.5K	5%	1/14
R481	1-216-821-11	METAL CHIP	4K	5%	(GT22)(GT23)	R623	1-216-833-11	METAL CHIP	10K	5%	1/14
R483	1-216-837-11	METAL CHIP	22K	5%	1/10W	R627	1-216-841-11	METAL CHIP	47K	5%	1/14
R483	1-216-864-11	SHORT CHIP	0	5%	(GT2: E51)(GT3: E2, E3, E51)	R628	1-216-833-11	METAL CHIP	10K	5%	1/14
R484	1-216-845-11	METAL CHIP	100K	5%	(GT2: MX)(GT2)(GT3: MX)(GT23)	R633	1-216-837-11	METAL CHIP	22K	5%	1/14
R490	1-216-821-11	METAL CHIP	4K	5%	(GT2: E51)(GT2: E2, E3, E51)	R634	1-216-837-11	METAL CHIP	22K	5%	1/14
R491	1-216-821-11	METAL CHIP	4K	5%	1/10W	R635	1-216-829-11	METAL CHIP	47K	5%	1/14
R492	1-216-825-11	METAL CHIP	2.2K	5%	1/10W	R636	1-216-864-11	SHORT CHIP	0	5%	2W
R492	1-216-827-11	METAL CHIP	3.3K	5%	(GT23)	R637	1-215-890-51	METAL OXIDE	680	5%	(GT2)
R492	1-216-829-11	METAL CHIP	4.7K	5%	(GT23)	R637	1-215-891-51	METAL OXIDE	680	5%	(GT2)
R493	1-216-819-11	METAL CHIP	880	5%	(GT23)	R638	1-215-890-51	METAL OXIDE	470	5%	(GT2)
R493	1-216-821-11	METAL CHIP	4K	5%	(GT2: MX)(GT23: MX)	R638	1-215-891-51	METAL OXIDE	880	5%	(GT2)
R493	1-216-829-11	METAL CHIP	4.7K	5%	(GT2: E51)(GT3: E2, E51, AR)	R639	1-216-809-11	METAL CHIP	100	5%	1/14
R493	1-216-837-11	SHORT CHIP	470	5%	(GT23: E53)(GT3: UK)	R640	1-216-809-11	METAL CHIP	100	5%	1/14
R494	1-216-817-11	METAL CHIP	470	5%	(GT23: AEP)	R641	1-216-821-11	METAL CHIP	47K	5%	1/14
R495	1-216-817-11	METAL CHIP	470	5%	1/10W	R642	1-216-841-11	METAL CHIP	47K	5%	1/14
R497	1-216-817-11	METAL CHIP	470	5%	1/10W	R643	1-216-821-11	METAL CHIP	4K	5%	1/14
R501	1-216-837-11	METAL CHIP	22K	5%	1/10W	R644	1-216-841-11	METAL CHIP	47K	5%	1/14
R502	1-216-821-11	METAL CHIP	4K	5%	1/10W	R645	1-216-827-11	METAL CHIP	4K	5%	1/14
R503	1-216-837-11	METAL CHIP	22K	5%	1/10W	R646	1-216-821-11	METAL CHIP	4K	5%	1/14
R505	1-216-811-11	METAL CHIP	150	5%	1/10W	R647	1-216-841-11	METAL CHIP	47K	5%	1/14
R506	1-216-811-11	METAL CHIP	150	5%	(GT23)(GT23)	R648	1-216-841-11	METAL CHIP	47K	5%	1/14
R507	1-216-811-11	METAL CHIP	150	5%	1/10W	R649	1-216-821-11	METAL CHIP	4K	5%	1/14
R508	1-216-811-11	METAL CHIP	150	5%	(GT23)(GT23)	R650	1-216-841-11	METAL CHIP	47K	5%	1/14
R513	1-216-821-11	METAL CHIP	4K	5%	(GT23)(GT23)	R651	1-216-821-11	METAL CHIP	4K	5%	1/14
R554	1-216-797-11	METAL CHIP	10	5%	(GT23)(GT23)	R652	1-216-841-11	METAL CHIP	47K	5%	1/14
R555	1-216-797-11	METAL CHIP	10	5%	(GT23)(GT23)	R653	1-216-821-11	METAL CHIP	4K	5%	1/14
R556	1-216-797-11	METAL CHIP	10	5%	1/10W	R654	1-216-821-11	METAL CHIP	4K	5%	1/14
R557	1-216-797-11	METAL CHIP	10	5%	(GT23)(GT23)	R655	1-216-841-11	METAL CHIP	47K	5%	1/14
R575	1-216-864-11	SHORT CHIP	0	5%	(GT23)(GT23)	R656	1-216-841-11	METAL CHIP	47K	5%	1/14
R576	1-216-864-11	SHORT CHIP	0	5%	(GT22)(GT23)	R657	1-216-789-11	METAL CHIP	2.2	5%	1/14
R601	1-216-830-11	METAL CHIP	5.8K	5%	1/10W	R658	1-216-789-11	METAL CHIP	2.2	5%	1/14
R602	1-216-820-11	METAL CHIP	820	5%	1/10W	R661	1-216-867-11	METAL CHIP	1M	5%	1/14
R603	1-216-823-11	METAL CHIP	1.5K	5%	1/10W	R662	1-216-839-11	METAL CHIP	33K	5%	1/14
R606	1-216-867-11	METAL CHIP	6.8K	0.5%	1/10W	R663	1-216-825-11	METAL CHIP	2.2K	5%	1/14
R607	1-216-833-11	METAL CHIP	10K	5%	1/10W	R666	1-216-823-11	METAL CHIP	1.5K	5%	1/14
R610	1-216-845-11	METAL CHIP	100K	5%	1/10W	R669	1-216-861-11	METAL CHIP	330K	5%	1/14
R613	1-216-825-11	METAL CHIP	2.2K	5%	1/10W	R670	1-216-823-11	METAL CHIP	1.5K	5%	1/14
R614	1-216-817-11	METAL CHIP	470	5%	1/10W	R671	1-216-833-11	METAL CHIP	10K	5%	1/14
R615	1-216-833-11	METAL CHIP	10K	5%	1/10W	R672	1-216-867-11	METAL CHIP	6.8K	0.5%	1/14
R616	1-216-817-11	METAL CHIP	470	5%	1/10W	R675	1-216-833-11	METAL CHIP	10K	5%	1/14
R632	1-216-817-11	METAL CHIP	470	5%	1/10W	R677	1-216-821-11	METAL CHIP	4K	5%	1/14
R637	1-216-401-91	CARBON	47	5%	1/4	R678	1-216-821-11	METAL CHIP	4K	5%	1/14
R638	1-216-401-91	CARBON	47	5%	1/4	R679	1-216-821-11	METAL CHIP	4K	5%	1/14
R639	1-216-401-91	CARBON	47	5%	1/4	R680	1-216-821-11	METAL CHIP	4K	5%	1/14
R689	1-216-821-11	METAL CHIP	4K	5%	1/14	R881	1-216-821-11	METAL CHIP	4K	5%	1/14



POWER A

HCD-GT22/GT21/GT23/G

Ref. No.	Part No.	Description	Remark	Ref. No.	Part No.	Description	Remark
C839	1-136-497-81	FLM	0.1uF 5% 50V	R824	1-216-984-11	METAL CHIP	47K 5% 1/16 1/10W
C840	1-136-497-81	FLM	0.1uF 5% 50V	R825	1-216-984-11	METAL CHIP	47K 5% 1/16 1/10W
C844	1-162-984-11	CERAMIC CHIP	0.001uF 10% 50V	R826	1-216-984-11	METAL CHIP	47K 5% 1/16 1/10W
C845	1-136-497-81	FLM	0.1uF 5% 50V	R827	1-216-822-11	METAL CHIP	1.2K 5% 1/16 1/10W
			(GT23/GT23)	R827	1-218-457-11	METAL CHIP	910 5% 1/16 1/10W
C846	1-136-497-81	FLM	0.1uF 5% 50V	R828	1-216-822-11	METAL CHIP	1.2K 5% 1/16 1/10W
			(GT23/GT23)				
		<CONNECTOR>					
CN801	1-573-987-11	PIN, CONNECTOR 19P	(GT22/GT22)	R829	1-216-817-11	METAL CHIP	470 5% 1/16 1/10W
CN801	1-573-109-11	PIN, CONNECTOR 19P	(GT23/GT23)	R830	1-216-884-11	METAL CHIP	47K 5% 1/16 1/10W
		<DIODE>		R831	1-220-989-11	METAL	0.22 10% 5W 5V
D632	6-500-335-01	DIODE MC2838-T112-4		R832	1-220-989-11	METAL	0.22 10% 5W 5V
D800	6-500-366-01	DIODE D10XB20		R833	1-220-989-11	METAL	0.22 10% 5W 5V
D802	6-500-334-01	DIODE MC2838-T112-4					
D803	6-501-917-01	DIODE MA2J110GLS0					
D807	6-501-917-01	DIODE MA2J110GLS0					
D809	6-501-756-01	DIODE MAZ8091GML50					
D811	6-501-917-01	DIODE MA2J110GLS0	(GT23/GT23)				
		<EARTH TERMINAL>					
EP900	1-537-771-21	TERMINAL BOARD, GROUND		R834	1-216-821-11	METAL CHIP	1K 5% 1/16 1/10W
EP902	1-537-771-21	TERMINAL BOARD, GROUND		R835	1-216-825-11	METAL CHIP	2.2K 5% 1/16 1/10W
		<IC>		R836	1-216-837-11	METAL CHIP	22K 5% 1/16 1/10W
		<TERMINAL BOARD>		R837	1-216-837-11	METAL CHIP	22K 5% 1/16 1/10W
		<JUMPER RESISTOR>		R838	1-216-845-11	METAL CHIP	100K 5% 1/16 1/10W
JR810	1-216-296-11	SHORT CHIP	0	R839	1-216-845-11	METAL CHIP	100K 5% 1/16 1/10W
JR811	1-216-296-11	SHORT CHIP	0	R848	1-216-827-11	METAL CHIP	3.3K 5% 1/16 1/10W
		<TRANSISTOR>		R849	1-216-839-11	METAL CHIP	33K 5% 1/16 1/10W
		<TERMINAL BOARD (SPEAKER) (FRONT SPEAKER)>		R850	1-216-829-11	METAL CHIP	4.7K 5% 1/16 1/10W
JR800	1-820-067-11	TERMINAL BOARD (SPEAKER)					
		<TRANSISTOR>					
O800	6-551-266-01	TRANSISTOR ZSC5825	(GT23/GT23)				
O801	6-551-266-01	TRANSISTOR ZSC5825	(GT23/GT23)				
O802	6-551-266-01	TRANSISTOR ZSC5825	(GT23/GT23)				
O803	8-729-820-07	TRANSISTOR ZSC3952EF-T1-LEF					
O804	8-729-820-07	TRANSISTOR ZSC3952EF-T1-LEF					
O806	8-729-820-07	TRANSISTOR ZSC3952EF-T1-LEF					
O807	8-729-820-07	TRANSISTOR ZSC3952EF-T1-LEF					
O808	8-729-820-07	TRANSISTOR ZSC3952EF-T1-LEF					
O809	6-551-966-01	TRANSISTOR ISA1235ACT1P-1EF					
O811	8-729-820-07	TRANSISTOR ZSC3952EF-T1-LEF					
		<RESISTOR/THERMINSTOR>					
R630	1-216-829-11	METAL CHIP	4.7K 5% 1/10W	R878	1-216-797-11	METAL CHIP	10 5% 1/16 1/10W
R631	1-216-829-11	METAL CHIP	4.7K 5% 1/10W	R879	1-216-797-11	METAL CHIP	10 5% 1/16 1/10W
R804	1-216-811-11	METAL CHIP	150 5% 1/10W	R881	1-216-884-11	METAL CHIP	47K 5% 1/16 1/10W
R814	1-216-811-11	METAL CHIP	150 5% 1/10W	R882	1-216-845-11	METAL CHIP	100K 5% 1/16 1/10W
R817	1-216-811-11	METAL CHIP	150 5% 1/10W	R883	1-216-822-11	METAL CHIP	1K 5% 1/16 1/10W
R818	1-216-811-11	METAL CHIP	150 5% 1/10W	R884	1-216-841-11	METAL CHIP	47K 5% 1/16 1/10W
R821	1-216-823-11	METAL CHIP	1.5K 5% 1/10W	R885	1-216-842-11	METAL CHIP	56K 5% 1/16 1/10W
R822	1-216-821-11	METAL CHIP	1K 5% 1/10W	R887	1-216-821-11	METAL CHIP	2.2K 5% 1/16 1/10W
R823	1-216-823-11	METAL CHIP	1.5K 5% 1/10W	R888	1-216-821-11	METAL CHIP	1K 5% 1/16 1/10W

HCD-GT22/GT22i/GT23/GT23i  
Ver. 1.1  
POWER AMP TRANS TRANSIS

Ref. No.	Part No.	Description	Remark	Ref. No.	Part No.	Description	Remark
R889	1-216-839-11	METAL CHIP 33K	5% 1/10W (GT23/GT23)	FH916	1-533-217-31	FUSE HOLDER	
				FH917	1-533-217-31	FUSE HOLDER	
				FH918	1-533-217-31	FUSE HOLDER	
R890	1-216-837-11	METAL CHIP 22K	5% 1/10W (GT23/GT23)	< TRANSFORMER >			
R891	1-216-845-11	METAL CHIP 100K	5% 1/10W (GT23/GT23)	Δ PT902	1-443-927-21	TRANSFORMER POWER (GT23: MX)	
R892	1-216-845-11	METAL CHIP 100K	5% 1/10W (GT23/GT23)	Δ PT902	1-443-928-21	TRANSFORMER POWER (GT23: MX)	
R900	1-216-797-11	METAL CHIP 10	5% 1/10W (GT23/GT23)	Δ PT902	1-443-929-21	TRANSFORMER POWER (GT23: MX)	
R901	1-216-797-11	METAL CHIP 10	5% 1/10W (GT23/GT23)	< TRANSISTOR >			
R902	1-216-797-11	METAL CHIP 10	5% 1/10W (GT23/GT23)	Q902	8-729-048-66	TRANSISTOR 2S91238-PQR-TL2	
R903	1-216-797-11	METAL CHIP 10	5% 1/10W (GT23/GT23)	Q903	8-729-620-07	TRANSISTOR 2SC3062E-F1-LFF	
R904	1-804-045-11	THERMISTOR	(GT23/GT23)	< RESISTOR >			
				R904	1-216-821-11	METAL CHIP 1K	5% 1/10W
				R910	1-216-864-11	SHORT CHIP 0	
				R911	1-216-864-11	SHORT CHIP 0	
				R915	1-216-829-11	METAL CHIP 4.7K	5% 1/10W
				R952	1-216-833-11	METAL CHIP 10K	5% 1/10W
TH801	1-216-864-11	SHORT CHIP 0	*****	Δ R955	1-217-637-55	FUSIBLE 1	5% 1/4W F (GT23: M/GT23)
				Δ R955	1-219-124-55	FUSIBLE 0.89	5% 1/4W F (GT23: E2, E3, E5, AR)
				R957	1-216-833-11	METAL CHIP 10K	5% 1/10W
				< RELAY >			
				Δ RY901	1-755-324-11	RELAY, AC POWER	
				< SWITCH >			
				Δ S901	1-786-055-11	SELECTOR VOLTAGE (VOLTAGE SELECTOR)	
				***** (GT23: E2, E3, E51) *****			
				< CAPACITOR >			
C903	1-162-974-11	CERAMIC CHIP 0.01uF	50V	< CAPACITOR >			
C904	1-162-974-11	CERAMIC CHIP 0.01uF	50V	< CAPACITOR >			
C908	1-128-553-11	ELECT 220UF	20% 63V	< CAPACITOR >			
C909	1-128-964-11	ELECT 100UF	20% 50V	< CAPACITOR >			
C910	1-128-968-11	ELECT 100UF	20% 50V	< CAPACITOR >			
C911	1-128-767-11	ELECT 1000uF	20% 16V	< CAPACITOR >			
C920	1-136-154-00	FILM 0.012uF	5% 50V	< CAPACITOR >			
C921	1-136-154-00	FILM 0.012uF	5% 50V	< CAPACITOR >			
C922	1-136-154-00	FILM 0.012uF	5% 50V	< CAPACITOR >			
C923	1-136-154-00	FILM 0.012uF	5% 50V	< CAPACITOR >			
C925	1-100-566-91	CERAMIC CHIP 0.1uF	10% 25V	< CAPACITOR >			
C926	1-100-566-91	CERAMIC CHIP 0.1uF	10% 25V	< CAPACITOR >			
C927	1-126-982-11	ELECT 3.3uF	20% 50V	< CAPACITOR >			
				< CONNECTOR >			
CN901	1-691-961-11	PIN, CONNECTOR (PC BOARD) 3P		C903	1-162-974-11	CERAMIC CHIP 0.01uF	50V
* CN907	1-764-334-11	PIN, CONNECTOR 11P		C904	1-162-974-11	CERAMIC CHIP 0.01uF	50V
* CN908	1-564-509-11	PLUG, CONNECTOR 6P		C908	1-128-553-11	ELECT 220UF	20% 63V
				C909	1-128-964-11	ELECT 100UF	20% 50V
				C910	1-128-968-11	ELECT 100UF	20% 50V
				C911	1-128-767-11	ELECT 1000uF	20% 16V
				C920	1-136-154-00	FILM 0.012uF	5% 50V
				C921	1-136-154-00	FILM 0.012uF	5% 50V
				C922	1-136-154-00	FILM 0.012uF	5% 50V
				C923	1-136-154-00	FILM 0.012uF	5% 50V
				< DIODE >			
D901	6-501-817-01	DIODE MA2J1110G1.S0		C925	1-100-566-91	CERAMIC CHIP 0.1uF	10% 25V
D906	6-501-796-01	DIODE MA2B330QML.S0		C926	1-100-566-91	CERAMIC CHIP 0.1uF	10% 25V
D908	6-500-522-21	DIODE 10EDB40-1B3		C927	1-126-982-11	ELECT 3.3uF	20% 50V
D911	6-501-579-01	DIODE MC2837		< CONNECTOR >			
D912	6-501-579-01	DIODE MC2837		CN901	1-691-961-11	PIN, CONNECTOR (PC BOARD) 3P	
				* CN907	1-764-334-11	PIN, CONNECTOR 11P	
				* CN908	1-564-509-11	PLUG, CONNECTOR 6P	
				< DIODE >			
D1210	6-500-335-01	DIODE MC2838-T112-1		D901	6-501-817-01	DIODE MA2J1110G1.S0	
				D906	6-501-796-01	DIODE MA2B330QML.S0	
				D908	6-500-522-21	DIODE 10EDB40-1B3	
				D911	6-501-579-01	DIODE MC2837	
				D912	6-501-579-01	DIODE MC2837	
				< CONNECTOR >			
				CN901	1-691-961-11	PIN, CONNECTOR (PC BOARD) 3P	
				* CN907	1-764-334-11	PIN, CONNECTOR 11P	
				* CN908	1-564-509-11	PLUG, CONNECTOR 6P	
				< DIODE >			
FH909	1-533-217-31	FUSE HOLDER		D901	6-501-817-01	DIODE MA2J1110G1.S0	
FH910	1-533-217-31	FUSE HOLDER		D906	6-501-796-01	DIODE MA2B330QML.S0	
FH913	1-533-217-31	FUSE HOLDER		D908	6-500-522-21	DIODE 10EDB40-1B3	
FH914	1-533-217-31	FUSE HOLDER					
FH915	1-533-217-31	FUSE HOLDER					

HCD-GT22/GT22i/GT23/G1

TRANSIS | TRANSX | 1

Ref. No.	Part No.	Description	Remark
D911	6-501-579-01	DIODE MC2837	
D912	6-501-579-01	DIODE MC2837	
D1210	6-500-335-01	DIODE MC2838-T112-1	
< FUSE HOLDER >			
FH909	1-533-217-31	FUSE HOLDER	
FH910	1-533-217-31	FUSE HOLDER	
FH913	1-533-217-31	FUSE HOLDER	
FH914	1-533-217-31	FUSE HOLDER	
FH915	1-533-217-31	FUSE HOLDER	
FH916	1-533-217-31	FUSE HOLDER	
FH917	1-533-217-31	FUSE HOLDER	
FH918	1-533-217-31	FUSE HOLDER	
< TRANSFORMER >			
△ PT902	1-443-928-21	TRANSFORMER, POWER	
< TRANSISTOR >			
Q902	8-729-048-66	TRANSISTOR 2SB1238-PQR-TV2	
Q903	8-729-620-07	TRANSISTOR 2SC3052EF-T1-LEF	
< RESISTOR >			
R904	1-216-821-11	METAL CHIP 1/4W	
R910	1-216-864-11	SHORT CHIP 0	
R911	1-216-864-11	SHORT CHIP 0	
R915	1-216-829-11	METAL CHIP 4.7K	5% 1/10W
R916	1-216-829-11	METAL CHIP 4.7K	5% 1/10W
R922	1-216-833-11	METAL CHIP 10K	5% 1/10W
△ R955	1-217-637-55	FUSIBLE 1	5% 1/4W F
R957	1-216-833-11	METAL CHIP 10K	5% 1/10W
< RELAY >			
△ RY901	1-755-334-11	RELAY, AC POWER	
< SWITCH >			
△ S901	1-786-055-11	SELECTOR, VOLTAGE (VOLTAGE SELECTOR)	
*****			
TRANSX BOARD (GT22, MX/GT23)			
*****			
< CAPACITOR >			
C903	1-162-974-11	CERAMIC CHIP 0.01uF	50V
C904	1-162-974-11	CERAMIC CHIP 0.01uF	50V
C908	1-128-553-11	ELECT 220uF	20% 63V
C909	1-128-964-11	ELECT 100uF	20% 50V
C910	1-126-968-11	ELECT 100uF	20% 50V
C911	1-126-767-11	ELECT 1000uF	20% 16V
C920	1-136-154-00	FILM 0.012uF	5% 50V
C921	1-136-154-00	FILM 0.012uF	5% 50V
C922	1-136-154-00	FILM 0.012uF	5% 50V
C923	1-136-154-00	FILM 0.012uF	5% 50V
C925	1-100-566-91	CERAMIC CHIP 0.1uF	10% 25V
C926	1-100-566-91	CERAMIC CHIP 0.1uF	10% 25V
C927	1-126-962-11	ELECT 3.3uF	20% 50V
< CONNECTOR >			
* CN901	1-793-660-11	PN, CONNECTOR (PC BOARD) 3P	
* CN907	1-764-334-11	PN, CONNECTOR 11P	
* CN908	1-564-509-11	PLUG, CONNECTOR 6P	

Ref. No.	Part No.	Description	Remark
D901	6-501-817-01	DIODE MA21110GLS0	
D906	6-501-736-01	DIODE MA28330GML50	
D908	6-500-522-21	DIODE 10EDB40-1B3	
D911	6-501-579-01	DIODE MC2837	
D912	6-501-579-01	DIODE MC2837	
D1210	6-500-335-01	DIODE MC2838-T112-1	
< FUSE HOLDER >			
FH909	1-533-217-31	FUSE HOLDER	
FH910	1-533-217-31	FUSE HOLDER	
FH913	1-533-217-31	FUSE HOLDER	
FH914	1-533-217-31	FUSE HOLDER	
FH915	1-533-217-31	FUSE HOLDER	
FH916	1-533-217-31	FUSE HOLDER	
FH917	1-533-217-31	FUSE HOLDER	
FH918	1-533-217-31	FUSE HOLDER	
< TRANSFORMER >			
△ PT902	1-443-927-21	TRANSFORMER, POWER (GT22, MX)	
△ PT902	1-443-929-21	TRANSFORMER, POWER (GT22)	
< TRANSISTOR >			
Q902	8-729-048-66	TRANSISTOR 2SB1238-PQR-TV2	
Q903	8-729-620-07	TRANSISTOR 2SC3052EF-T1-LEF	
< RESISTOR >			
R904	1-216-821-11	METAL CHIP 1/4W	
R910	1-216-864-11	SHORT CHIP 0	
R911	1-216-864-11	SHORT CHIP 0	
R915	1-216-829-11	METAL CHIP 4.7K	5% 1/1W
R952	1-216-833-11	METAL CHIP 10K	5% 1/1W
△ R955	1-217-637-55	FUSIBLE 1	5% 1/4 W
R957	1-216-833-11	METAL CHIP 10K	5% 1/1W
< RELAY >			
△ RY901	1-755-334-11	RELAY, AC POWER	
*****			
USB BOARD			
*****			
< CAPACITOR >			
C1002	1-165-989-11	CERAMIC CHIP 10uF	10% 6.3V
C1003	1-126-176-11	ELECT 220uF	20% 10V
C1004	1-164-156-11	CERAMIC CHIP 0.1uF	25% 6.3 V
C1005	1-165-989-11	CERAMIC CHIP 10uF	10% 10V
C1006	1-126-176-11	ELECT 220uF	20% 10V
C1007	1-164-156-11	CERAMIC CHIP 0.1uF	25%
< CONNECTOR >			
CN1000	1-819-886-11	CONNECTOR, USB (A) (USB A)	
CN1001	1-819-886-11	CONNECTOR, USB (A) (USB A)	
< DIODE >			
D1000	6-502-513-01	LED 1L034PB12E0MTT21 (USB A)	
D1002	6-501-689-01	LED 1L34FV220TDF01 (USB B)	
D1003	6-502-513-01	LED 1L034PB12E0MTT21 (USB B)	

## HCD-GT22/GT22i/GT23/GT23i

Ver. 1.1

USB VOLUME

Ref. No.	Part No.	Description	Remark
D1004	6-501-579-01	DIODE MC2837	
D1005	6-501-579-01	DIODE MC2837	
D1006	6-501-579-01	DIODE MC2837	△ F906 1-532-504-33 FUSE (T5AL250V)
D1007	6-501-579-01	DIODE MC2837	△ F907 1-532-503-33 FUSE (T1.6AL/250V)
D1008	6-501-579-01	DIODE MC2837	△ F908 1-532-506-33 FUSE (T6.3AL/250V) (GT23/GT23i)
D1009	6-501-579-01	DIODE MC2837	△ F909 1-532-506-33 FUSE (T6.3AL/250V) (GT23/GT23i)
D1011	6-501-743-01	DIODE MA28068GML50	M01 1-787-344-11 FAN, DC
D1013	6-501-743-01	DIODE MA28068GML50	M02 1-763-372-11 FAN, DC (GT23/GT23i)
D1015	6-501-743-01	DIODE MA28068GML50	△ PT901 1-445-601-11 POWER TRANSFORMER (GT23i)
D1017	6-501-743-01	DIODE MA28068GML50	△ PT901 1-445-603-11 POWER TRANSFORMER (GT22-E51)
D1018	6-501-743-01	DIODE MA28068GML50	△ PT901 1-445-605-11 POWER TRANSFORMER (GT23-MX)
D1019	6-501-743-01	DIODE MA28068GML50	△ PT901 1-445-606-11 POWER TRANSFORMER (GT23-MX)
		< JUMPER RESISTOR >	△ PT901 1-445-609-11 POWER TRANSFORMER (GT22i)
			△ PT901 1-445-610-11 POWER TRANSFORMER (GT22-MX)
			*****
JR101	1-216-296-11	SHORT CHIP	ACCESSORIES
JR102	1-216-864-11	SHORT CHIP	*****
		< RESISTOR >	
			△ 1-569-008-22 ADAPTOR, CONVERSION 2P
			△ 1-770-019-71 ADAPTOR, CONVERSION PLUG 3P (GT23i-UK)

R1001	1-216-821-11	METAL CHIP	1K	5%	1/10W
R1002	1-216-821-11	METAL CHIP	1K	5%	1/10W
R1004	1-216-821-11	METAL CHIP	1K	5%	1/10W
R1005	1-216-821-11	METAL CHIP	1K	5%	1/10W
R1008	1-216-821-11	METAL CHIP	1K	5%	1/10W
R1009	1-216-821-11	METAL CHIP	1K	5%	1/10W
					*****
					VOLUME BOARD
					*****
		< RESISTOR >			
		< ROTARY ENCODER >			
R1301	1-216-833-11	METAL CHIP	10K	5%	1/10W
R1302	1-216-833-11	METAL CHIP	10K	5%	1/10W
					< ROTARY ENCODER >
S1300	1-480-581-11	ROTARY ENCODER (OPERATION DIAL)			
S1301	1-487-171-11	ROTARY ENCODER (MASTER VOLUME)			
					*****
					MISCELLANEOUS
					*****

106	A-1718-276-A	PANEL (GTL-1) ASSY. DISPLAY			
107	1-829-040-11	WIRE (FLAT TYPE) (27 CORE)			
201	1-828-982-11	WIRE (FLAT TYPE) (9 CORE) (GT22/GT23)			
201	1-828-982-11	WIRE (FLAT TYPE) (11 CORE) (GT22/GT23)			
202	1-457-369-12	CORE, FERRITE			
205	1-693-759-11	TUNER (FM/AM) (GT22/GT23)			
205	1-693-764-22	TUNER (FM/AM) (GT22/GT23)			
△ 207	1-777-071-83	CORD, POWER (AEP, UK, E2, E3, E51)			
△ 207	1-829-387-11	CORD, POWER (AR)			
△ 207	1-829-627-11	POWER-SUPPLY CORD (MX)			
254	1-543-793-11	FILTER, CLAMP (FERRITE CORE)			
301	1-469-829-11	CORE, FERRITE			
304	1-828-311-11	WIRE (FLAT TYPE) (9 CORE)			
305	1-836-973-11	WIRE (FLAT TYPE) (7 CORE)			
306	1-828-975-11	WIRE (FLAT TYPE) (13 CORE)			
501	1-797-193-72	MECHANICAL, CD (DLMA)			
△ 505	8-820-322-04	OPTICAL PICK-UP BLOCK (KHM-3) (CARICRP)			
507	1-828-282-11	WIRE (FLAT TYPE) (24 CORE)			(Including shield motor, spindle motor)
△ F904	1-532-505-33	FUSE (T5AL/250V) (GT22/GT23)			
△ F905	1-532-505-33	FUSE (T5AL/250V) (GT22/GT23)			

Note: If wire (flat type) is replaced, install it after bending it in the same form as that before replacement.

