

**SECTION 7  
EXPLODED VIEWS**

**NOTE:**

- -XX and -X mean standardized parts, so they may have some difference from the original one.

• Color Indication of Appearance Parts

Example:

KNOB, BALANCE (WHITE) . . . (RED)

↑                    ↑  
Parts Color    Cabinet's Color

• Abbreviation

AR : Argentina model

EA : Saudi Arabia model

SP : Singapore model

AUS : Australian model

MX : Mexican model

TW : Taiwan model

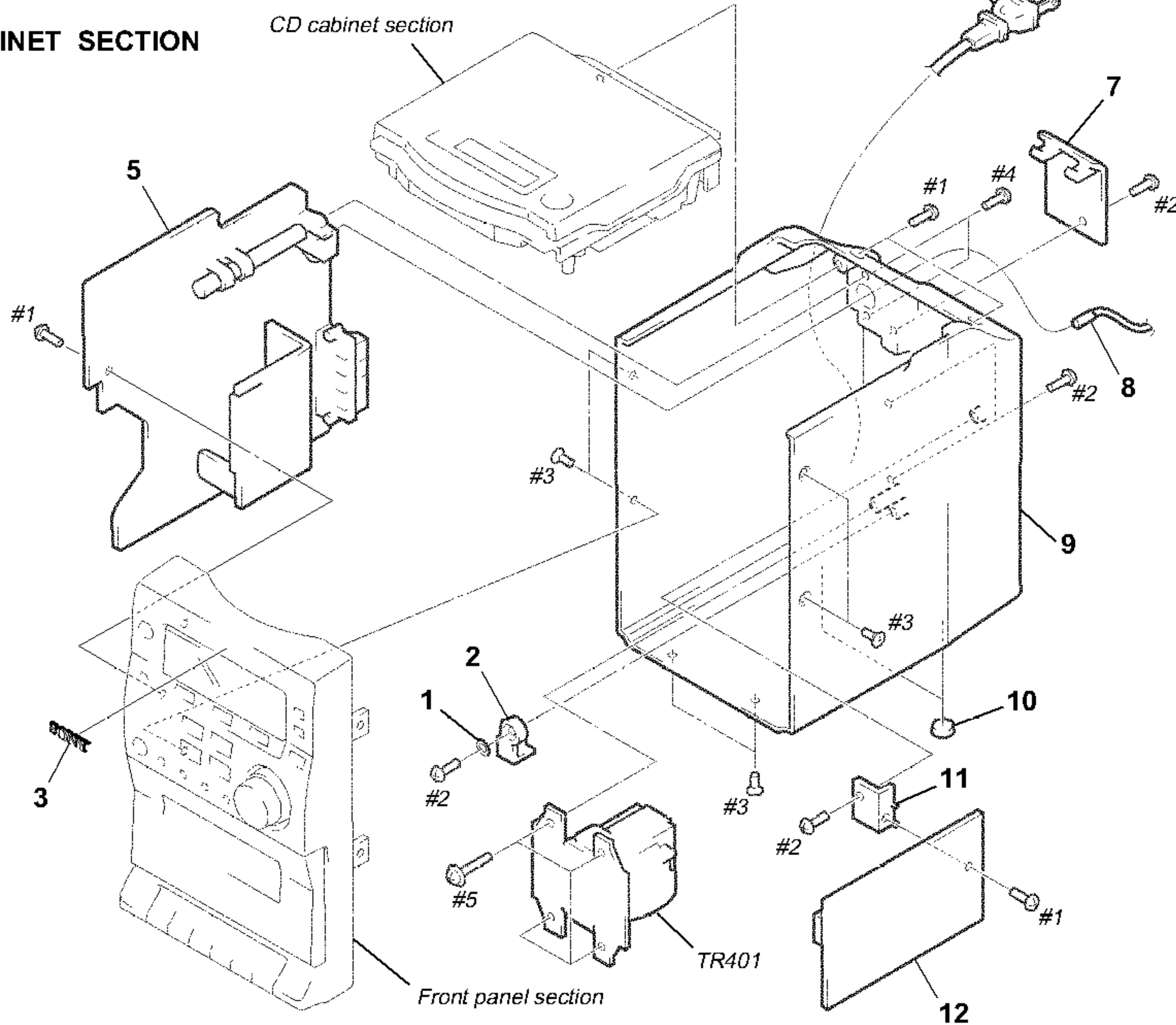
CND : Canadian model

- Items marked “\*” are not stocked since they are seldom required for routine service. Some delay should be anticipated when ordering these items.
- The mechanical parts with no reference number in the exploded views are not supplied.
- Hardware (# mark) list and accessories and packing materials are given in the last of the electrical parts list.

The components identified by mark  $\Delta$  or dotted line with mark  $\Delta$  are critical for safety. Replace only with part number specified.

Les composants identifiés par une marque  $\Delta$  sont critiques pour la sécurité. Ne les remplacer que par une pièce portant le numéro spécifié.

**7-1. CABINET SECTION**



Ref. No.	Part No.	Description	Remark	Ref. No.	Part No.	Description	Remark
1	3-451-162-00	WASHER		8	1-823-170-11	CORD (WITH CONNECTOR) (FM ANT)	
2	4-235-952-01	AC CORD HOLDER		9	4-235-972-01	REAR CABINET (AEP, UK)	
3	4-236-194-01	EMBLEM BADGE		9	4-236-544-01	REAR CABINET (US, CND, EA, SP, AR, TW, MX, AUS)	
5	A-4726-713-A	MAIN BOARD, COMPLETE (EP40)		10	4-235-995-01	RUBBER FOOT	
5	A-4726-786-A	MAIN BOARD, COMPLETE (EP30: AEP, UK)		11	4-235-944-01	POWER PWB MOUNTING BKT	
5	A-4726-868-A	MAIN BOARD, COMPLETE (US, CND, SP, EA, TW, MX, AR, AUS)		12	A-4726-866-A	POWER BOARD, COMPLETE (US, CND, MX, TW)	
$\Delta$ 6	1-555-750-00	CORD, POWER (AEP, UK, EA, SP)		12	A-4726-715-A	POWER BOARD, COMPLETE (AEP, UK, EA, SP, AR, AUS)	
$\Delta$ 6	1-696-966-31	CORD, POWER (AUS)		$\Delta$ TR401	1-437-463-11	TRANSFORMER, POWER (AEP, UK, EA, SP, AR, AUS)	
$\Delta$ 6	1-783-525-31	CORD, POWER (TRACKING) (TW, MX)		$\Delta$ TR401	1-437-476-11	TRANSFORMER, POWER (US, CND, TW, MX)	
$\Delta$ 6	1-783-820-11	CORD, POWER (US, CND)					
$\Delta$ 6	1-783-940-51	CORD, POWER (AR)					
7	4-235-974-01	CAB, ANTENNA COVER					