

SECTION 8 EXPLODED VIEWS

Note:

- -XX and -X mean standardized parts, so they may have some difference from the original one.
- Items marked “*” are not stocked since they are seldom required for routine service. Some delay should be anticipated when ordering these items.

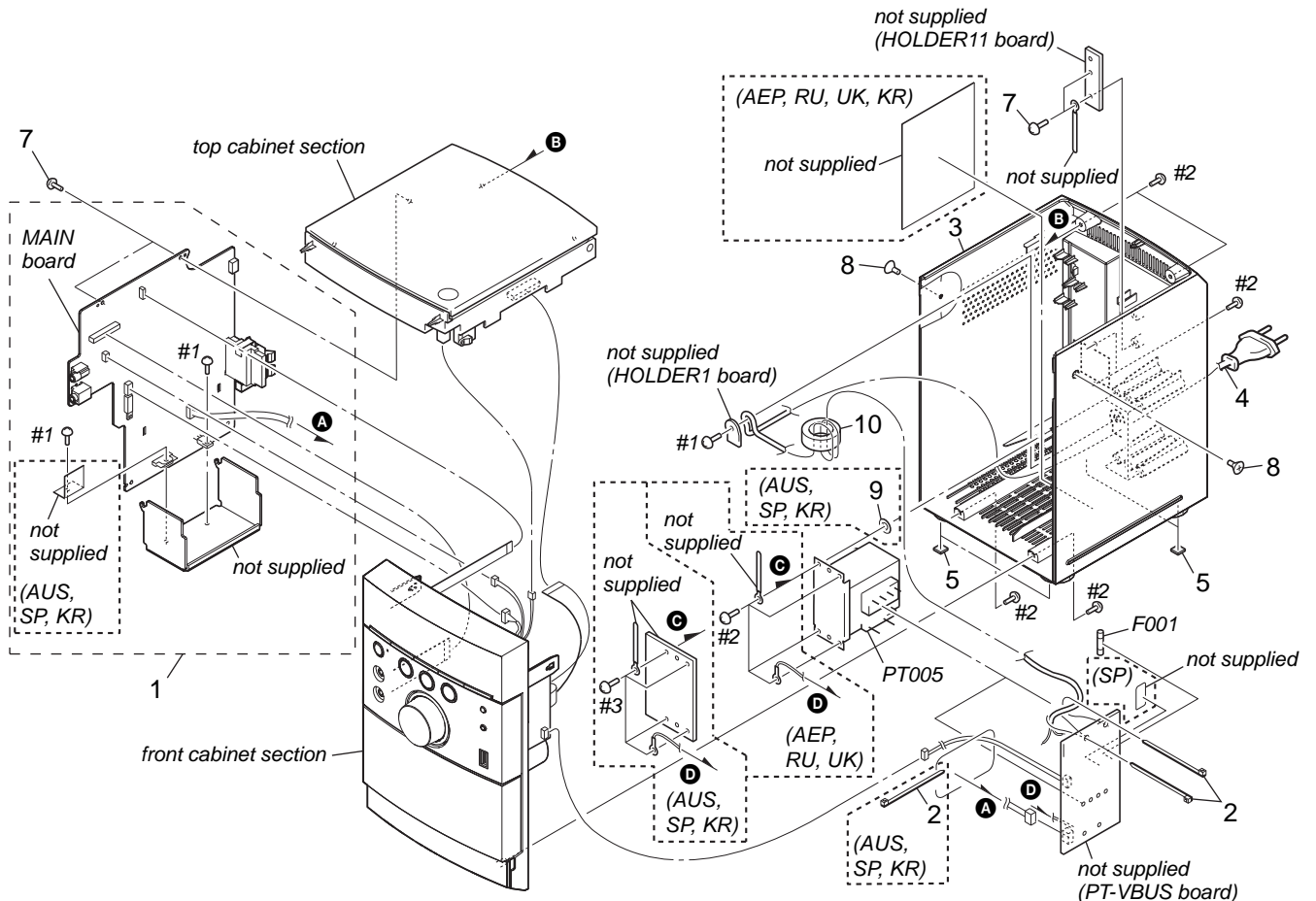
- The mechanical parts with no reference number in the exploded views are not supplied.
- Color Indication of Appearance Parts Example:
KNOB, BALANCE (WHITE) . . . (RED)

- Abbreviation
AUS : Australian model
KR : Korean model
RU : Russian model
SP : Singapore model

Parts Color Cabinet's Color
 ↑ ↑

The components identified by mark \triangle or dotted line with mark \triangle are critical for safety.
Replace only with part number specified.

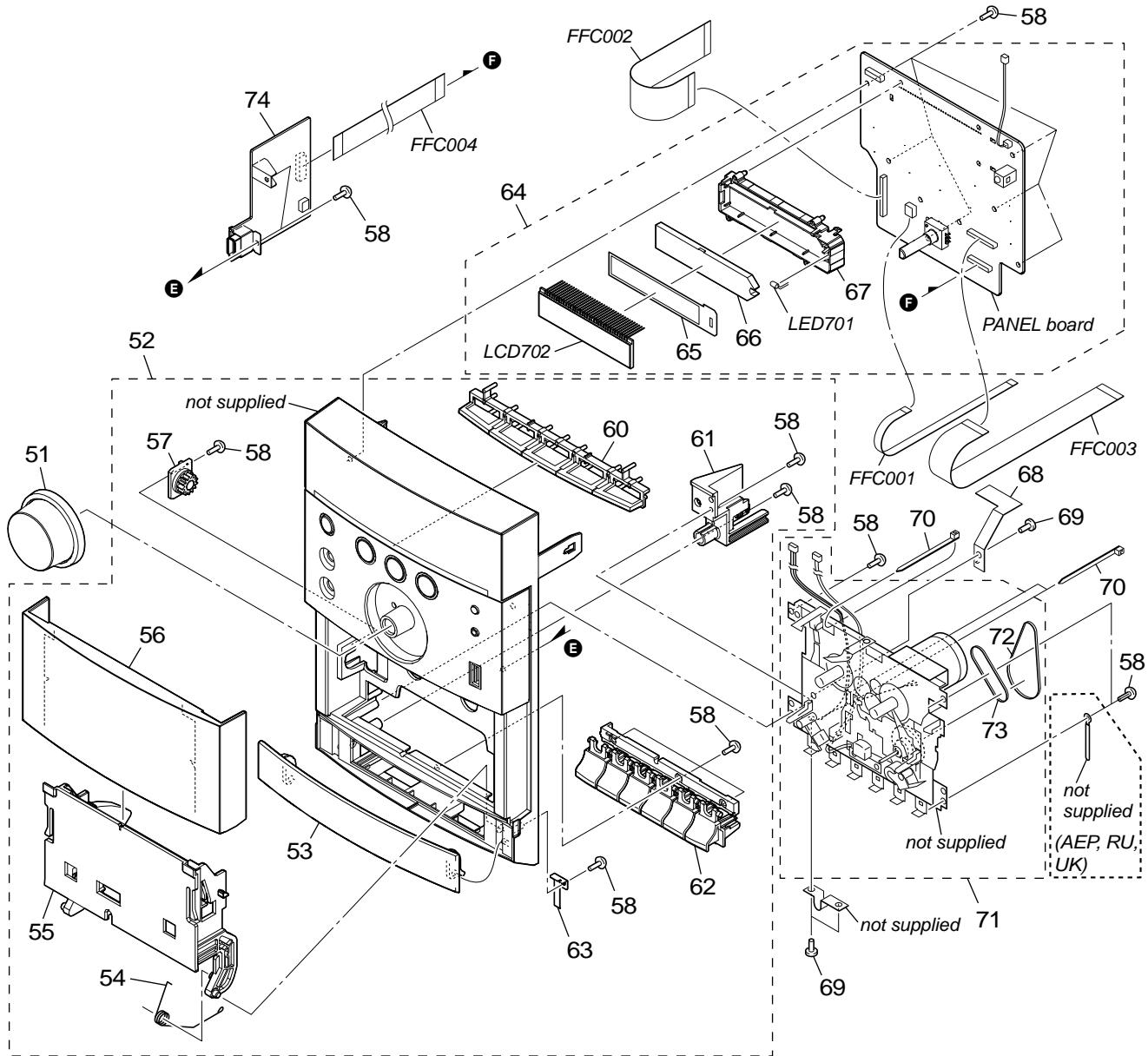
8-1. OVERALL SECTION



Note: REAR CABINET of AEP, Russian and UK models has been changed in the midway of production. Installation method of POWER TRANSFORMER has been changed according to above-mentioned change. Refer to supplement-1 about details.

| Ref. No. | Part No. | Description | Remark | Ref. No. | Part No. | Description | Remark |
|---------------|--------------|---|--------|-------------------|--------------|--|--------|
| 1 | A-1544-898-A | MAIN BOARD, COMPLETE (EH25: AEP, UK/EH26) | | 8 | 2-580-644-01 | SCREW, +KTP2 3X8 | |
| 1 | A-1544-906-A | MAIN BOARD, COMPLETE (EH25: KR) | | 9 | 3-572-085-00 | WASHER, FIBER (AUS, SP, KR) | |
| 1 | A-1547-611-A | MAIN BOARD, COMPLETE (EH25: RU) | | 10 | 1-500-868-11 | CORE, FERRITE | |
| 1 | A-1717-271-A | MAIN BOARD, COMPLETE (EH25: AUS) | | \triangle F001 | 1-532-275-33 | FUSE (T160mAL/250V) (AEP, RU, UK, AUS, KR) | |
| 1 | A-1718-605-A | MAIN BOARD, COMPLETE (EH25: SP) | | \triangle F001 | 1-532-467-33 | FUSE (T3/5mAL/250V) (SP) | |
| 2 | 3-701-748-00 | CLAMP | | \triangle PT005 | 1-445-421-11 | TRANSFORMER, POWER (KR) | |
| \triangle 3 | 3-287-571-01 | CABINET, REAR | | \triangle PT005 | 1-445-423-11 | TRANSFORMER, POWER (AUS, SP) | |
| \triangle 4 | 1-769-079-51 | CORD, POWER (KR) | | \triangle PT005 | 1-445-506-11 | TRANSFORMER, POWER (AEP, RU, UK) | |
| \triangle 4 | 1-775-790-81 | CORD, POWER (AUS) | | #1 | 7-685-646-79 | SCREW +BVTP 3X8 TYPE2 IT-3 | |
| \triangle 4 | 1-834-966-31 | CORD, POWER (AEP, RU, UK, SP) | | #2 | 7-685-647-79 | SCREW +BVTP 3X10 TYPE2 IT-3 | |
| 5 | 3-198-753-11 | FOOT (FELT) | | #3 | 7-685-649-79 | SCREW +BVTP 3X14 TYPE2 IT-3 (AUS, SP, KR) | |
| 7 | 3-087-053-01 | +BVTP2.6 (3CR) | | | | | |

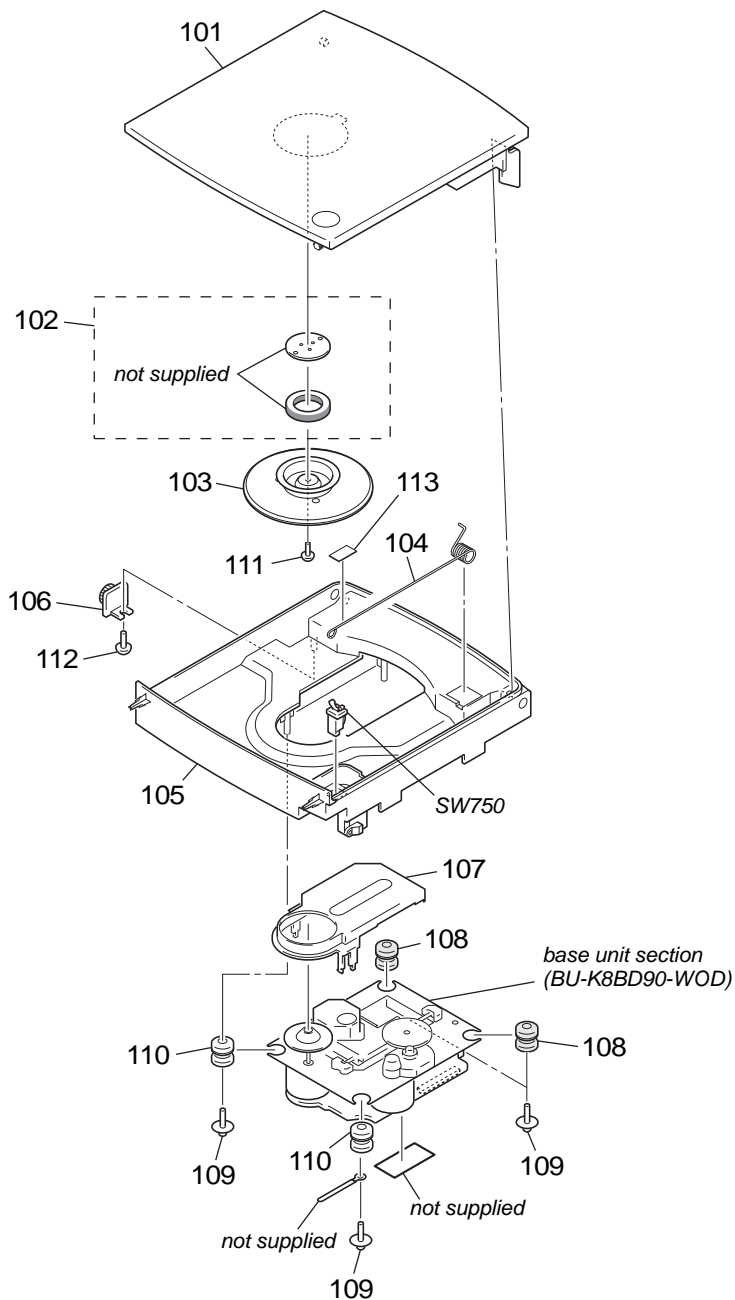
8-2. FRONT CABINET SECTION



| Ref. No. | Part No. | Description | Remark |
|----------|--------------|-------------------------------------|----------------------|
| 51 | 3-280-084-01 | KNOB (VOL) | |
| 52 | A-1544-213-A | CABINET ASSY, FRONT (EH25: UK) | |
| 52 | A-1545-262-A | CABINET ASSY, FRONT (EH26) | |
| 52 | A-1545-899-A | CABINET ASSY, FRONT (EH25: AUS, KR) | |
| 52 | A-1545-958-A | CABINET ASSY, FRONT (EH25: RU) | |
| 52 | A-1564-377-A | CABINET ASSY, FRONT (EH25: AEP) | |
| 52 | A-1731-506-A | CABINET ASSY, FRONT (EH25: SP) | |
| 53 | 3-280-079-01 | BUTTON COVER (C) | |
| 54 | 4-113-945-01 | SPRING (CASSETTE) | |
| 55 | 3-288-035-01 | HOLDER (CASSETTE) | |
| 56 | 3-280-077-21 | LID, CASSETTE (EH25: AEP, UK, SP) | |
| 56 | 3-280-077-41 | LID, CASSETTE (EH26) | |
| 56 | 3-280-077-51 | LID, CASSETTE (EH25: RU, AUS, KR) | |
| 57 | 3-047-468-01 | DAMPER | |
| 58 | 3-087-053-01 | +BVTP2.6 (3CR) | |
| 60 | 3-280-083-01 | BUTTON (OPERATION) | |
| 61 | 2-636-524-01 | HOLDER, PWB | |
| 62 | 3-280-081-01 | BUTTON (CASSETTE) | |
| 63 | 3-280-088-01 | SPRING (C-BUTTON LID) | |
| 64 | A-1544-901-A | PANEL BOARD, COMPLETE | (EH25: AEP, UK/EH26) |

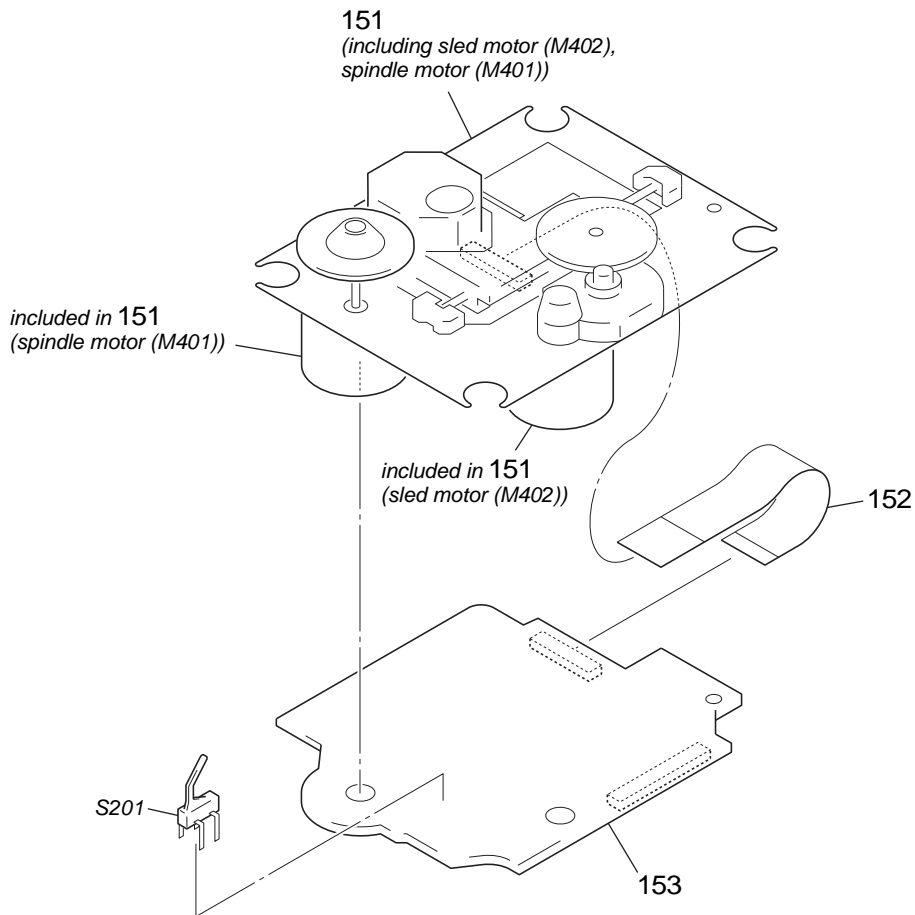
| Ref. No. | Part No. | Description | Remark |
|----------|--------------|---|-------------------------|
| 64 | A-1544-908-A | PANEL BOARD, COMPLETE (EH25: SP, KR) | |
| 64 | A-1547-613-A | PANEL BOARD, COMPLETE (EH25: RU) | |
| 64 | A-1717-272-A | PANEL BOARD, COMPLETE (EH25: AUS) | |
| 65 | 2-636-545-01 | SHEET (LCD) | |
| 66 | 2-636-532-01 | ILLUMINATOR (LCD) | |
| 67 | 2-636-531-01 | HOLDER (LCD) | |
| 68 | 2-636-546-01 | LEVER (REC) | |
| 69 | 3-254-022-01 | SCREW | |
| 70 | 3-701-748-00 | CLAMP | |
| 71 | A-1313-349-A | MF-EH10 (TAPE MECHANISM DECK) | |
| 72 | 2-670-389-01 | BELT (1) | |
| 73 | 3-214-817-01 | BELT (FR) | |
| 74 | A-1527-435-A | USB BOARD, COMPLETE | |
| FFC001 | 1-832-796-21 | CABLE, FLEXIBLE FLAT (5 CORE) | (EH25: RU, AUS, SP, KR) |
| FFC001 | 1-832-806-21 | CABLE, FLEXIBLE FLAT (7 CORE) | (EH25: AEP, UK/EH26) |
| FFC002 | 1-831-952-21 | CABLE, FLEXIBLE FLAT (19 CORE) | |
| FFC003 | 1-832-748-21 | CABLE, FLEXIBLE FLAT (21 CORE) | |
| FFC004 | 1-832-706-21 | CABLE, FLEXIBLE FLAT (13 CORE) | |
| LCD702 | 1-802-381-11 | DISPLAY PANEL, LIQUID CRYSTAL | |
| LED701 | 6-502-498-01 | LED SELU2B10A-SLF62FGH (LCD BACK LIGHT) | |

8-3. TOP CABINET SECTION



| Ref. No. | Part No. | Description | Remark | Ref. No. | Part No. | Description | Remark |
|----------|--------------|-------------------------------|--------|----------|--------------|--|--------|
| 101 | 2-636-518-21 | LID, CD | | 109 | 3-252-828-01 | SCREW (B2.6), (+) PWH TAPPING | |
| 102 | 1-452-899-11 | MAGNET | | 110 | 3-931-379-31 | RUBBER, VIBRATION PROOF (GREEN) | |
| 103 | 3-019-395-01 | PLATE, CHUCKING | | 111 | 3-253-143-01 | SCREW (B2.6), (+) P TAPPING | |
| 104 | 2-637-769-01 | SPRING (CD) | | 112 | 3-087-053-01 | +BVTP2.6 (3CR) | |
| 105 | 2-636-515-02 | CABINET, TOP | | 113 | 2-675-085-01 | SPACER | |
| 106 | 3-047-468-11 | DAMPER | | SW750 | 1-692-960-11 | SWITCH, PUSH (1 KEY) (CD LID OPEN/CLOSE DETECT) | |
| 107 | 4-247-493-01 | COVER, CD | | | | | |
| 108 | 3-931-379-21 | RUBBER, VIBRATION PROOF (RED) | | | | | |

8-4. BASE UNIT SECTION (BU-K8BD90-WOD)



| Ref. No. | Part No. | Description | Remark | Ref. No. | Part No. | Description | Remark |
|----------|--------------|--|--------|----------|--------------|---------------------------|--------|
| △ 151 | 8-820-126-02 | OPTICAL PICK-UP BLOCK (KSM-213CDP/C2NP) (Including spindle motor (M401), sled motor (M402)) | | 153 | A-1217-914-A | CD BOARD, COMPLETE | |
| 152 | 1-834-268-21 | WIRE (FLAT TYPE) (16 CORE) | | S201 | 1-771-853-11 | SWITCH, DETECTION (LIMIT) | |

SECTION 9 ELECTRICAL PARTS LIST

Note:

- Due to standardization, replacements in the parts list may be different from the parts specified in the diagrams or the components used on the set.
- -XX and -X mean standardized parts, so they may have some difference from the original one.
- Items marked "*" are not stocked since they are seldom required for routine service. Some delay should be anticipated when ordering these items.
- CAPACITORS
uF: μ F
- COILS
uH: μ H

- RESISTORS
All resistors are in ohms.
METAL: Metal-film resistor.
METAL OXIDE: Metal oxide-film resistor.
F: nonflammable
- SEMICONDUCTORS
In each case, u: μ , for example:
uA. . : μ A. . , uPA. . , μ PA. . ,
uPB. . : μ PB. . , uPC. . , μ PC. . ,
uPD. . : μ PD. .
- Abbreviation
AUS : Australian model
KR : Korean model
RU : Russian model
SP : Singapore model

When indicating parts by reference number, please include the board name.

The components identified by mark \triangle or dotted line with mark \triangle are critical for safety.
Replace only with part number specified.

| Ref. No. | Part No. | Description | Remark | Ref. No. | Part No. | Description | Remark |
|----------|--------------|-----------------------------|------------|----------|--------------|------------------------------------|----------|
| | A-1217-914-A | CD BOARD, COMPLETE ***** | | C148 | 1-162-923-11 | CERAMIC CHIP 47PF | 5% 50V |
| | | < CAPACITOR > | | C149 | 1-162-919-11 | CERAMIC CHIP 22PF | 5% 50V |
| C100 | 1-164-360-11 | CERAMIC CHIP 0.1uF | 16V | C150 | 1-162-964-11 | CERAMIC CHIP 0.001uF | 10% 50V |
| C101 | 1-164-360-11 | CERAMIC CHIP 0.1uF | 16V | C151 | 1-164-315-11 | CERAMIC CHIP 470PF | 5% 50V |
| C102 | 1-164-360-11 | CERAMIC CHIP 0.1uF | 16V | C152 | 1-164-315-11 | CERAMIC CHIP 470PF | 5% 50V |
| C103 | 1-164-360-11 | CERAMIC CHIP 0.1uF | 16V | C153 | 1-164-360-11 | CERAMIC CHIP 0.1uF | 16V |
| C104 | 1-164-360-11 | CERAMIC CHIP 0.1uF | 16V | C201 | 1-128-995-21 | ELECT CHIP 100uF | 20% 10V |
| | | | | C202 | 1-128-995-21 | ELECT CHIP 100uF | 20% 10V |
| C105 | 1-164-360-11 | CERAMIC CHIP 0.1uF | 16V | C204 | 1-164-360-11 | CERAMIC CHIP 0.1uF | 16V |
| C106 | 1-128-995-21 | ELECT CHIP 100uF | 20% 10V | C205 | 1-164-360-11 | CERAMIC CHIP 0.1uF | 16V |
| C107 | 1-164-360-11 | CERAMIC CHIP 0.1uF | 16V | C206 | 1-165-908-11 | CERAMIC CHIP 1uF | 10% 10V |
| C108 | 1-164-360-11 | CERAMIC CHIP 0.1uF | 16V | C207 | 1-165-908-11 | CERAMIC CHIP 1uF | 10% 10V |
| C109 | 1-164-360-11 | CERAMIC CHIP 0.1uF | 16V | C301 | 1-164-360-11 | CERAMIC CHIP 0.1uF | 16V |
| | | | | C302 | 1-137-710-91 | CERAMIC CHIP 10uF | 20% 6.3V |
| C110 | 1-164-360-11 | CERAMIC CHIP 0.1uF | 16V | C303 | 1-137-710-91 | CERAMIC CHIP 10uF | 20% 6.3V |
| C112 | 1-164-360-11 | CERAMIC CHIP 0.1uF | 16V | C306 | 1-128-995-21 | ELECT CHIP 100uF | 20% 10V |
| C113 | 1-164-360-11 | CERAMIC CHIP 0.1uF | 16V | C307 | 1-165-908-11 | CERAMIC CHIP 1uF | 10% 10V |
| C115 | 1-124-778-00 | ELECT CHIP 22uF | 20% 6.3V | C309 | 1-162-964-11 | CERAMIC CHIP 0.001uF | 10% 50V |
| C116 | 1-164-360-11 | CERAMIC CHIP 0.1uF | 16V | C401 | 1-128-394-11 | ELECT CHIP 220uF | 20% 10V |
| | | | | | | | |
| C117 | 1-164-227-11 | CERAMIC CHIP 0.022uF | 10% 25V | C403 | 1-164-360-11 | CERAMIC CHIP 0.1uF | 16V |
| C118 | 1-162-970-11 | CERAMIC CHIP 0.01uF | 10% 25V | C404 | 1-164-360-11 | CERAMIC CHIP 0.1uF | 16V |
| C119 | 1-164-227-11 | CERAMIC CHIP 0.022uF | 10% 25V | C405 | 1-164-360-11 | CERAMIC CHIP 0.1uF | 16V |
| C120 | 1-162-970-11 | CERAMIC CHIP 0.01uF | 10% 25V | | | < CONNECTOR > | |
| C122 | 1-164-315-11 | CERAMIC CHIP 470PF | 5% 50V | CN201 | 1-784-833-51 | CONNECTOR, FFC (LIF (NON-ZIF)) 21P | |
| | | | | CN301 | 1-770-425-51 | CONNECTOR, FFC/FPC 16P | |
| C123 | 1-164-315-11 | CERAMIC CHIP 470PF | 5% 50V | | | < IC > | |
| C124 | 1-162-968-11 | CERAMIC CHIP 0.0047uF | 10% 50V | IC101 | 6-709-624-01 | IC TC94A70FG-006 | |
| C125 | 1-162-968-11 | CERAMIC CHIP 0.0047uF | 10% 50V | IC201 | 6-710-808-01 | IC TK63115SCL-G@GT | |
| C126 | 1-107-826-11 | CERAMIC CHIP 0.1uF | 10% 16V | IC401 | 6-710-637-01 | IC BA5826SFP-E2 | |
| C127 | 1-162-966-11 | CERAMIC CHIP 0.0022uF | 10% 50V | | | < TRANSISTOR > | |
| | | | | Q301 | 6-551-120-01 | TRANSISTOR 2SA2119K | |
| C128 | 1-162-910-11 | CERAMIC CHIP 5PF | 0.25PF 50V | | | < RESISTOR > | |
| C130 | 1-162-910-11 | CERAMIC CHIP 5PF | 0.25PF 50V | R101 | 1-216-813-11 | METAL CHIP 220 | 5% 1/10W |
| C132 | 1-164-360-11 | CERAMIC CHIP 0.1uF | 16V | R102 | 1-216-833-11 | METAL CHIP 10K | 5% 1/10W |
| C133 | 1-107-826-11 | CERAMIC CHIP 0.1uF | 10% 16V | R104 | 1-216-295-91 | SHORT CHIP 0 | |
| C136 | 1-162-923-11 | CERAMIC CHIP 47PF | 5% 50V | R105 | 1-216-857-11 | METAL CHIP 1M | 5% 1/10W |
| | | | | R106 | 1-216-821-11 | METAL CHIP 1K | 5% 1/10W |
| C137 | 1-162-970-11 | CERAMIC CHIP 0.01uF | 10% 25V | | | | |
| C138 | 1-164-315-11 | CERAMIC CHIP 470PF | 5% 50V | R108 | 1-216-864-11 | SHORT CHIP 0 | |
| C139 | 1-162-970-11 | CERAMIC CHIP 0.01uF | 10% 25V | R110 | 1-216-833-11 | METAL CHIP 10K | 5% 1/10W |
| C140 | 1-162-970-11 | CERAMIC CHIP 0.01uF | 10% 25V | R111 | 1-216-809-11 | METAL CHIP 100 | 5% 1/10W |
| C141 | 1-162-966-11 | CERAMIC CHIP 0.0022uF | 10% 50V | R112 | 1-216-809-11 | METAL CHIP 100 | 5% 1/10W |
| | | | | | | | |
| C142 | 1-107-826-11 | CERAMIC CHIP 0.1uF | 10% 16V | | | | |
| C143 | 1-162-970-11 | CERAMIC CHIP 0.01uF | 10% 25V | | | | |
| C144 | 1-107-826-11 | CERAMIC CHIP 0.1uF | 10% 16V | | | | |
| C145 | 1-162-970-11 | CERAMIC CHIP 0.01uF | 10% 25V | | | | |
| C146 | 1-164-315-11 | CERAMIC CHIP 470PF | 5% 50V | | | | |
| | | | | | | | |
| C147 | 1-107-826-11 | CERAMIC CHIP 0.1uF | 10% 16V | | | | |

HCD-EH25/EH26

Ver. 1.3

CD MAIN

| Ref. No. | Part No. | Description | Remark |
|----------|--------------|--------------------|--------|
| R113 | 1-216-833-11 | METAL CHIP 10K 5% | 1/10W |
| R114 | 1-216-833-11 | METAL CHIP 10K 5% | 1/10W |
| R118 | 1-216-845-11 | METAL CHIP 100K 5% | 1/10W |
| R120 | 1-216-864-11 | SHORT CHIP 0 | |
| R125 | 1-216-864-11 | SHORT CHIP 0 | |
| R126 | 1-216-864-11 | SHORT CHIP 0 | |
| R127 | 1-216-864-11 | SHORT CHIP 0 | |
| R128 | 1-216-853-11 | METAL CHIP 470K 5% | 1/10W |
| R129 | 1-216-821-11 | METAL CHIP 1K 5% | 1/10W |
| R130 | 1-216-829-11 | METAL CHIP 4.7K 5% | 1/10W |
| R134 | 1-216-857-11 | METAL CHIP 1M 5% | 1/10W |
| R135 | 1-216-853-11 | METAL CHIP 470K 5% | 1/10W |
| R136 | 1-216-837-11 | METAL CHIP 22K 5% | 1/10W |
| R139 | 1-216-841-11 | METAL CHIP 47K 5% | 1/10W |
| R140 | 1-216-864-11 | SHORT CHIP 0 | |
| R142 | 1-216-837-11 | METAL CHIP 22K 5% | 1/10W |
| R143 | 1-216-841-11 | METAL CHIP 47K 5% | 1/10W |
| R144 | 1-216-837-11 | METAL CHIP 22K 5% | 1/10W |
| R145 | 1-216-864-11 | SHORT CHIP 0 | |
| R146 | 1-216-864-11 | SHORT CHIP 0 | |
| R147 | 1-216-864-11 | SHORT CHIP 0 | |
| R148 | 1-216-864-11 | SHORT CHIP 0 | |
| R149 | 1-216-864-11 | SHORT CHIP 0 | |
| R150 | 1-216-864-11 | SHORT CHIP 0 | |
| R151 | 1-216-864-11 | SHORT CHIP 0 | |
| R153 | 1-216-857-11 | METAL CHIP 1M 5% | 1/10W |
| R154 | 1-216-857-11 | METAL CHIP 1M 5% | 1/10W |
| R155 | 1-216-805-11 | METAL CHIP 47 5% | 1/10W |
| R156 | 1-216-809-11 | METAL CHIP 100 5% | 1/10W |
| R157 | 1-216-809-11 | METAL CHIP 100 5% | 1/10W |
| R201 | 1-216-295-91 | SHORT CHIP 0 | |
| R202 | 1-216-295-91 | SHORT CHIP 0 | |
| R203 | 1-216-809-11 | METAL CHIP 100 5% | 1/10W |
| R204 | 1-216-809-11 | METAL CHIP 100 5% | 1/10W |
| R205 | 1-216-809-11 | METAL CHIP 100 5% | 1/10W |
| R206 | 1-216-809-11 | METAL CHIP 100 5% | 1/10W |
| R207 | 1-216-809-11 | METAL CHIP 100 5% | 1/10W |
| R208 | 1-216-809-11 | METAL CHIP 100 5% | 1/10W |
| R209 | 1-216-809-11 | METAL CHIP 100 5% | 1/10W |
| R210 | 1-216-809-11 | METAL CHIP 100 5% | 1/10W |
| R211 | 1-216-809-11 | METAL CHIP 100 5% | 1/10W |
| R212 | 1-216-809-11 | METAL CHIP 100 5% | 1/10W |
| R218 | 1-216-845-11 | METAL CHIP 100K 5% | 1/10W |
| R219 | 1-216-845-11 | METAL CHIP 100K 5% | 1/10W |
| R220 | 1-216-845-11 | METAL CHIP 100K 5% | 1/10W |
| R221 | 1-216-845-11 | METAL CHIP 100K 5% | 1/10W |
| R222 | 1-216-845-11 | METAL CHIP 100K 5% | 1/10W |
| R223 | 1-216-845-11 | METAL CHIP 100K 5% | 1/10W |
| R301 | 1-216-845-11 | METAL CHIP 100K 5% | 1/10W |
| R302 | 1-216-864-11 | SHORT CHIP 0 | |
| R303 | 1-216-789-11 | METAL CHIP 2.2 5% | 1/10W |
| R304 | 1-216-789-11 | METAL CHIP 2.2 5% | 1/10W |
| R402 | 1-216-825-11 | METAL CHIP 2.2K 5% | 1/10W |
| R405 | 1-216-833-11 | METAL CHIP 10K 5% | 1/10W |
| R408 | 1-216-825-11 | METAL CHIP 2.2K 5% | 1/10W |
| R414 | 1-216-829-11 | METAL CHIP 4.7K 5% | 1/10W |
| R415 | 1-216-841-11 | METAL CHIP 47K 5% | 1/10W |

| Ref. No. | Part No. | Description | Remark |
|----------|--------------|---|--------|
| | | < VIBRATOR > | |
| X102 | 1-795-101-21 | VIBRATOR, CERAMIC (16.9344MHz) | |
| ***** | | | |
| | A-1544-898-A | MAIN BOARD, COMPLETE (EH25: AEP, UK/EH26) | |
| | A-1544-906-A | MAIN BOARD, COMPLETE (EH25: KR) | |
| | A-1547-611-A | MAIN BOARD, COMPLETE (EH25: RU) | |
| | A-1717-271-A | MAIN BOARD, COMPLETE (EH25: AUS) | |
| | A-1718-605-A | MAIN BOARD, COMPLETE (EH25: SP) | |
| ***** | | | |
| | 7-685-646-79 | SCREW +BVTP 3X8 TYPE2 N-S | |
| | | < BAND PASS FILTER > | |
| BPF801 | 1-236-711-21 | FILTER, BAND PASS | |
| | | < CAPACITOR/JUMPER RESISTOR > | |
| C101 | 1-128-549-11 | ELECT 3300uF 20% | 35V |
| C102 | 1-100-566-91 | CERAMIC CHIP 0.1uF 10% | 25V |
| C105 | 1-100-566-91 | CERAMIC CHIP 0.1uF 10% | 25V |
| | | (EH25: AEP, RU, UK/EH26) | |
| C105 | 1-117-863-11 | CERAMIC CHIP 0.47uF 10% | 6.3V |
| | | (EH25: KR) | |
| C109 | 1-162-970-11 | CERAMIC CHIP 0.01uF 10% | 25V |
| C110 | 1-115-467-11 | CERAMIC CHIP 0.22uF 10% | 10V |
| C111 | 1-164-156-11 | CERAMIC CHIP 0.1uF | 25V |
| C113 | 1-126-953-11 | ELECT 2200uF 20% | 35V |
| C114 | 1-100-566-91 | CERAMIC CHIP 0.1uF 10% | 25V |
| C115 | 1-164-156-11 | CERAMIC CHIP 0.1uF | 25V |
| C118 | 1-126-933-11 | ELECT 100uF 20% | 16V |
| C121 | 1-117-863-11 | CERAMIC CHIP 0.47uF 10% | 6.3V |
| C122 | 1-126-949-11 | ELECT 220uF 20% | 35V |
| C141 | 1-162-970-11 | CERAMIC CHIP 0.01uF 10% | 25V |
| C142 | 1-162-970-11 | CERAMIC CHIP 0.01uF 10% | 25V |
| C155 | 1-165-621-91 | CERAMIC CHIP 0.1uF | 50V |
| C156 | 1-165-621-91 | CERAMIC CHIP 0.1uF | 50V |
| C181 | 1-164-156-11 | CERAMIC CHIP 0.1uF | 25V |
| C182 | 1-164-156-11 | CERAMIC CHIP 0.1uF | 25V |
| C183 | 1-164-156-11 | CERAMIC CHIP 0.1uF | 25V |
| C184 | 1-164-156-11 | CERAMIC CHIP 0.1uF | 25V |
| C194 | 1-100-566-91 | CERAMIC CHIP 0.1uF 10% | 25V |
| C196 | 1-100-566-91 | CERAMIC CHIP 0.1uF 10% | 25V |
| C301 | 1-162-966-11 | CERAMIC CHIP 0.0022uF 10% | 50V |
| C302 | 1-162-964-11 | CERAMIC CHIP 0.001uF 10% | 50V |
| C303 | 1-126-963-11 | ELECT 4.7uF 20% | 50V |
| C304 | 1-126-933-11 | ELECT 100uF 20% | 16V |
| C305 | 1-126-960-11 | ELECT 1uF 20% | 50V |
| C306 | 1-126-960-11 | ELECT 1uF 20% | 50V |
| C307 | 1-126-767-11 | ELECT 1000uF 20% | 16V |
| C308 | 1-126-767-11 | ELECT 1000uF 20% | 16V |
| C309 | 1-162-964-11 | CERAMIC CHIP 0.001uF 10% | 50V |
| C310 | 1-162-964-11 | CERAMIC CHIP 0.001uF 10% | 50V |
| C311 | 1-162-962-11 | CERAMIC CHIP 470PF 10% | 50V |
| C312 | 1-162-962-11 | CERAMIC CHIP 470PF 10% | 50V |
| C315 | 1-162-964-11 | CERAMIC CHIP 0.001uF 10% | 50V |
| C371 | 1-164-156-11 | CERAMIC CHIP 0.1uF | 25V |
| C381 | 1-162-964-11 | CERAMIC CHIP 0.001uF 10% | 50V |
| C382 | 1-162-970-11 | CERAMIC CHIP 0.01uF 10% | 25V |
| C401 | 1-126-956-91 | ELECT 0.1uF 20% | 50V |
| C402 | 1-126-933-11 | ELECT 100uF 20% | 16V |
| C403 | 1-100-566-91 | CERAMIC CHIP 0.1uF 10% | 25V |

| Ref. No. | Part No. | Description | Remark | Ref. No. | Part No. | Description | Remark |
|----------|--------------|--------------|--------------|----------|----------|--------------|-------------------------------|
| C404 | 1-115-467-11 | CERAMIC CHIP | 0.22uF 10% | 10V | C567 | 1-130-479-00 | MYLAR 0.0047uF 5% 50V |
| C405 | 1-126-956-91 | ELECT | 0.1uF 20% | 50V | C800 | 1-164-156-11 | CERAMIC CHIP 0.1uF 25V |
| C406 | 1-115-467-11 | CERAMIC CHIP | 0.22uF 10% | 10V | C801 | 1-126-933-11 | ELECT 100uF 20% 16V |
| C407 | 1-162-968-11 | CERAMIC CHIP | 0.0047uF 10% | 50V | C802 | 1-100-566-91 | CERAMIC CHIP 0.1uF 10% 25V |
| C408 | 1-162-968-11 | CERAMIC CHIP | 0.0047uF 10% | 50V | C803 | 1-162-970-11 | CERAMIC CHIP 0.01uF 10% 25V |
| C409 | 1-100-566-91 | CERAMIC CHIP | 0.1uF 10% | 25V | C804 | 1-100-566-91 | CERAMIC CHIP 0.1uF 10% 25V |
| C410 | 1-100-566-91 | CERAMIC CHIP | 0.1uF 10% | 25V | C806 | 1-162-964-11 | CERAMIC CHIP 0.001uF 10% 50V |
| C412 | 1-126-933-11 | ELECT | 100uF 20% | 16V | C807 | 1-162-966-11 | CERAMIC CHIP 0.0022uF 10% 50V |
| C413 | 1-126-933-11 | ELECT | 100uF 20% | 16V | C809 | 1-100-566-91 | CERAMIC CHIP 0.1uF 10% 25V |
| C415 | 1-100-566-91 | CERAMIC CHIP | 0.1uF 10% | 25V | C810 | 1-115-467-11 | CERAMIC CHIP 0.22uF 10% 10V |
| C416 | 1-100-566-91 | CERAMIC CHIP | 0.1uF 10% | 25V | C811 | 1-164-156-11 | CERAMIC CHIP 0.1uF 25V |
| C421 | 1-100-566-91 | CERAMIC CHIP | 0.1uF 10% | 25V | C812 | 1-164-156-11 | CERAMIC CHIP 0.1uF 25V |
| C431 | 1-126-960-11 | ELECT | 1uF 20% | 50V | C813 | 1-126-923-91 | ELECT 220uF 20% 10V |
| C432 | 1-126-960-11 | ELECT | 1uF 20% | 50V | C814 | 1-164-156-11 | CERAMIC CHIP 0.1uF 25V |
| C433 | 1-162-962-11 | CERAMIC CHIP | 470PF 10% | 50V | C815 | 1-162-927-11 | CERAMIC CHIP 100PF 5% 50V |
| C434 | 1-162-962-11 | CERAMIC CHIP | 470PF 10% | 50V | C816 | 1-115-467-11 | CERAMIC CHIP 0.22uF 10% 10V |
| C437 | 1-162-962-11 | CERAMIC CHIP | 470PF 10% | 50V | C817 | 1-100-566-91 | CERAMIC CHIP 0.1uF 10% 25V |
| C438 | 1-162-962-11 | CERAMIC CHIP | 470PF 10% | 50V | C818 | 1-216-864-11 | SHORT CHIP 0 |
| C451 | 1-126-960-11 | ELECT | 1uF 20% | 50V | C819 | 1-162-964-11 | CERAMIC CHIP 0.001uF 10% 50V |
| C452 | 1-126-960-11 | ELECT | 1uF 20% | 50V | C820 | 1-162-964-11 | CERAMIC CHIP 0.001uF 10% 50V |
| C453 | 1-126-960-11 | ELECT | 1uF 20% | 50V | C821 | 1-165-176-11 | CERAMIC CHIP 0.047uF 10% 16V |
| C454 | 1-126-960-11 | ELECT | 1uF 20% | 50V | C822 | 1-162-962-11 | CERAMIC CHIP 470PF 10% 50V |
| C455 | 1-100-566-91 | CERAMIC CHIP | 0.1uF 10% | 25V | C823 | 1-162-918-11 | CERAMIC CHIP 18PF 5% 50V |
| C456 | 1-100-566-91 | CERAMIC CHIP | 0.1uF 10% | 25V | C824 | 1-162-918-11 | CERAMIC CHIP 18PF 5% 50V |
| C457 | 1-126-933-11 | ELECT | 100uF 20% | 16V | C825 | 1-125-837-91 | CERAMIC CHIP 1uF 10% 6.3V |
| C458 | 1-100-566-91 | CERAMIC CHIP | 0.1uF 10% | 25V | C826 | 1-162-927-11 | CERAMIC CHIP 100PF 5% 50V |
| C501 | 1-162-923-11 | CERAMIC CHIP | 47PF 5% | 50V | C827 | 1-162-927-11 | CERAMIC CHIP 100PF 5% 50V |
| C502 | 1-162-923-11 | CERAMIC CHIP | 47PF 5% | 50V | C828 | 1-162-927-11 | CERAMIC CHIP 100PF 5% 50V |
| C503 | 1-162-962-11 | CERAMIC CHIP | 470PF 10% | 50V | C829 | 1-162-970-11 | CERAMIC CHIP 0.01uF 10% 25V |
| C504 | 1-162-962-11 | CERAMIC CHIP | 470PF 10% | 50V | C830 | 1-162-970-11 | CERAMIC CHIP 0.01uF 10% 25V |
| C505 | 1-165-176-11 | CERAMIC CHIP | 0.047uF 10% | 16V | C831 | 1-117-863-11 | CERAMIC CHIP 0.47uF 10% 6.3V |
| C506 | 1-165-176-11 | CERAMIC CHIP | 0.047uF 10% | 16V | C832 | 1-117-863-11 | CERAMIC CHIP 0.47uF 10% 6.3V |
| C507 | 1-162-970-11 | CERAMIC CHIP | 0.01uF 10% | 25V | C833 | 1-117-863-11 | CERAMIC CHIP 0.47uF 10% 6.3V |
| C508 | 1-162-970-11 | CERAMIC CHIP | 0.01uF 10% | 25V | C834 | 1-126-923-91 | ELECT 220uF 20% 10V |
| C509 | 1-126-966-11 | ELECT | 33uF 20% | 50V | C835 | 1-115-467-11 | CERAMIC CHIP 0.22uF 10% 10V |
| C510 | 1-126-966-11 | ELECT | 33uF 20% | 50V | C836 | 1-115-467-11 | CERAMIC CHIP 0.22uF 10% 10V |
| C513 | 1-162-965-11 | CERAMIC CHIP | 0.0015uF 10% | 50V | C838 | 1-100-566-91 | CERAMIC CHIP 0.1uF 10% 25V |
| C514 | 1-162-965-11 | CERAMIC CHIP | 0.0015uF 10% | 50V | C839 | 1-100-566-91 | CERAMIC CHIP 0.1uF 10% 25V |
| C515 | 1-162-915-11 | CERAMIC CHIP | 10PF 0.5PF | 50V | C840 | 1-117-863-11 | CERAMIC CHIP 0.47uF 10% 6.3V |
| C518 | 1-164-156-11 | CERAMIC CHIP | 0.1uF 25V | | C841 | 1-126-965-91 | ELECT 22uF 20% 50V |
| C519 | 1-164-156-11 | CERAMIC CHIP | 0.1uF 25V | | C843 | 1-162-960-11 | CERAMIC CHIP 220PF 10% 50V |
| C522 | 1-162-927-11 | CERAMIC CHIP | 100PF 5% | 50V | | | (EH25: AUS, SP, KR) |
| C523 | 1-162-970-11 | CERAMIC CHIP | 0.01uF 10% | 25V | C847 | 1-162-966-11 | CERAMIC CHIP 0.0022uF 10% 50V |
| C524 | 1-162-970-11 | CERAMIC CHIP | 0.01uF 10% | 25V | C848 | 1-162-966-11 | CERAMIC CHIP 0.0022uF 10% 50V |
| C525 | 1-162-970-11 | CERAMIC CHIP | 0.01uF 10% | 25V | C851 | 1-165-176-11 | CERAMIC CHIP 0.047uF 10% 16V |
| C526 | 1-162-970-11 | CERAMIC CHIP | 0.01uF 10% | 25V | C852 | 1-162-915-11 | CERAMIC CHIP 10PF 0.5PF 50V |
| C527 | 1-162-964-11 | CERAMIC CHIP | 0.001uF 10% | 50V | C853 | 1-164-227-11 | CERAMIC CHIP 0.022uF 10% 25V |
| C528 | 1-162-964-11 | CERAMIC CHIP | 0.001uF 10% | 50V | C854 | 1-162-915-11 | CERAMIC CHIP 10PF 0.5PF 50V |
| C529 | 1-162-927-11 | CERAMIC CHIP | 100PF 5% | 50V | C855 | 1-162-962-11 | CERAMIC CHIP 470PF 10% 50V |
| C531 | 1-162-964-11 | CERAMIC CHIP | 0.001uF 10% | 50V | C856 | 1-162-910-11 | CERAMIC CHIP 5PF 0.25PF 50V |
| C532 | 1-162-964-11 | CERAMIC CHIP | 0.001uF 10% | 50V | C861 | 1-100-566-91 | CERAMIC CHIP 0.1uF 10% 25V |
| C533 | 1-100-566-91 | CERAMIC CHIP | 0.1uF 10% | 25V | | | (EH25: AEP, UK/EH26) |
| C534 | 1-100-566-91 | CERAMIC CHIP | 0.1uF 10% | 25V | C862 | 1-100-566-91 | CERAMIC CHIP 0.1uF 10% 25V |
| C535 | 1-100-566-91 | CERAMIC CHIP | 0.1uF 10% | 25V | | | (EH25: AEP, UK/EH26) |
| C543 | 1-162-964-11 | CERAMIC CHIP | 0.001uF 10% | 50V | C863 | 1-126-965-91 | ELECT 22uF 20% 50V |
| C544 | 1-162-964-11 | CERAMIC CHIP | 0.001uF 10% | 50V | | | (EH25: AEP, UK/EH26) |
| C561 | 1-162-966-11 | CERAMIC CHIP | 0.0022uF 10% | 50V | C864 | 1-162-962-11 | CERAMIC CHIP 470PF 10% 50V |
| C562 | 1-162-966-11 | CERAMIC CHIP | 0.0022uF 10% | 50V | | | (EH25: AEP, UK/EH26) |
| C564 | 1-162-970-11 | CERAMIC CHIP | 0.01uF 10% | 25V | C865 | 1-126-965-91 | ELECT 22uF 20% 50V |
| C565 | 1-115-156-11 | CERAMIC CHIP | 1uF 10V | | | | (EH25: AEP, UK/EH26) |

HCD-EH25/EH26

Ver. 1.3

MAIN

| Ref. No. | Part No. | Description | Remark | Ref. No. | Part No. | Description | Remark |
|----------|--------------|----------------------------------|---------------------------------|----------|--------------|-------------------------------|------------------------|
| C866 | 1-162-962-11 | CERAMIC CHIP 470PF | 10% 50V (EH25: AEP, UK/EH26) | | | < TERMINAL BOARD/JACK > | |
| C867 | 1-162-962-11 | CERAMIC CHIP 470PF | 10% 50V (EH25: AEP, UK/EH26) | J101 | 1-780-314-11 | TERMINAL BOARD (SPEAKER) | |
| C868 | 1-162-925-11 | CERAMIC CHIP 68PF | 5% 50V (EH25: AEP, UK/EH26) | J102 | 1-815-629-11 | JACK (PHONES) | |
| C869 | 1-162-923-11 | CERAMIC CHIP 47PF | 5% 50V (EH25: AEP, UK/EH26) | J105 | 1-566-822-51 | JACK (AUDIO IN) | |
| C873 | 1-162-907-11 | CERAMIC CHIP 2PF | 0.25PF 50V | | | < JUMPER RESISTOR > | |
| | | | | JR101 | 1-216-864-11 | SHORT CHIP | 0 (EH25: KR) |
| | | < FILTER/CAPACITOR > | | JR102 | 1-216-864-11 | SHORT CHIP | 0 (EH25: RU) |
| CF801 | 1-795-426-11 | FILTER, CERAMIC | | JR103 | 1-216-864-11 | SHORT CHIP | 0 (EH25: AUS) |
| CF802 | 1-128-821-51 | CERAMIC 1000PF | 5% 50V (EH25: AUS, SP, KR) | JR106 | 1-216-864-11 | SHORT CHIP | 0 (EH25: AEP, UK/EH26) |
| CF802 | 1-579-554-21 | FILTER, CERAMIC | (EH25: AEP, RU, UK/EH26) | JR401 | 1-216-864-11 | SHORT CHIP | 0 |
| CF803 | 1-781-962-21 | FILTER, CERAMIC | | JR402 | 1-216-864-11 | SHORT CHIP | 0 |
| | | < CONNECTOR > | | JR403 | 1-216-864-11 | SHORT CHIP | 0 |
| CN105 | 1-784-780-11 | CONNECTOR, FFC 19P | | JR404 | 1-216-864-11 | SHORT CHIP | 0 |
| CN106 | 1-784-766-11 | CONNECTOR, FFC 5P | (EH25: RU, KR) | JR404 | 1-216-864-11 | SHORT CHIP | 0 |
| CN106 | 1-568-826-11 | CONNECTOR, FFC 7P | (EH25: AEP, UK/EH26) | JR405 | 1-216-864-11 | SHORT CHIP | 0 |
| CNP501 | 1-815-445-11 | PIN, CONNECTOR (PWB) 4P | | JR406 | 1-216-864-11 | SHORT CHIP | 0 |
| CNP502 | 1-815-444-11 | PIN, CONNECTOR (PWB) 3P | | JR801 | 1-216-864-11 | SHORT CHIP | 0 |
| | | | | JR802 | 1-216-864-11 | SHORT CHIP | 0 |
| * CNP802 | 1-506-680-11 | PLUG, CONNECTOR (2.5mm) 3P | (ANTENNA FM/AM) | JR803 | 1-216-864-11 | SHORT CHIP | 0 |
| | | < DIODE > | | JR804 | 1-216-864-11 | SHORT CHIP | 0 (EH25: AEP, UK/EH26) |
| D106 | 6-501-172-01 | DIODE UDZW-TE17-8.2B | | JR861 | 1-216-864-11 | SHORT CHIP | 0 (EH25: AEP, UK/EH26) |
| D107 | 6-502-411-01 | DIODE RL202-B322-1 | | | | < COIL > | |
| D108 | 6-502-411-01 | DIODE RL202-B322-1 | | L103 | 1-469-152-11 | FERRITE, EMI (SMD) (2012) | |
| D109 | 6-502-411-01 | DIODE RL202-B322-1 | | L104 | 1-410-509-11 | INDUCTOR 10uH | |
| D110 | 6-502-411-01 | DIODE RL202-B322-1 | | L501 | 1-456-094-11 | TRANSFORMER, BIAS OSCILLATION | |
| D111 | 6-501-582-01 | DIODE 1N4002-B5 | | L803 | 1-433-741-11 | TRANSFORMER, IF | |
| D112 | 6-501-582-01 | DIODE 1N4002-B5 (EH25: SP) | | L804 | 1-457-163-22 | COIL, AIR-CORE | |
| D113 | 6-501-582-01 | DIODE 1N4002-B5 | | | | | |
| D114 | 6-501-582-01 | DIODE 1N4002-B5 (EH25: SP) | | L805 | 1-457-162-22 | COIL, AIR-CORE | |
| D116 | 6-501-582-01 | DIODE 1N4002-B5 | | L806 | 1-457-168-11 | COIL, DET | |
| | | | | L851 | 1-457-161-11 | COIL, AM ANTENNA | |
| D117 | 6-501-582-01 | DIODE 1N4002-B5 | | L852 | 1-456-596-11 | COIL, MW OSC | |
| D118 | 6-501-582-01 | DIODE 1N4002-B5 | | | | < CONNECTOR > | |
| D131 | 6-500-334-01 | DIODE MC2836-T112-1 | | * PIN101 | 1-564-187-00 | PIN, CONNECTOR | |
| D371 | 6-500-335-01 | DIODE MC2838-T112-1 | | * PIN102 | 1-564-187-00 | PIN, CONNECTOR | |
| D372 | 6-500-335-01 | DIODE MC2838-T112-1 | | | | < TRANSISTOR > | |
| D802 | 6-501-369-01 | DIODE SVC230-TB-E | | Q101 | 8-729-024-93 | TRANSISTOR 2SB1565E | |
| D803 | 6-501-369-01 | DIODE SVC230-TB-E | | Q102 | 8-729-120-28 | TRANSISTOR 2SC1623-L5L6 | |
| D812 | 6-501-579-01 | DIODE MC2837 | | Q103 | 8-729-120-28 | TRANSISTOR 2SC1623-L5L6 | |
| D813 | 6-501-579-01 | DIODE MC2837 | | Q121 | 8-729-120-28 | TRANSISTOR 2SC1623-L5L6 | |
| D815 | 6-501-579-01 | DIODE MC2837 | | Q122 | 8-729-120-28 | TRANSISTOR 2SC1623-L5L6 | |
| D851 | 6-501-142-01 | DIODE SVC347A-TL-E | | Q123 | 8-729-120-28 | TRANSISTOR 2SC1623-L5L6 | |
| | | < FERRITE BEAD > | | Q351 | 6-551-703-01 | FET 2SJ599-ZK-E1-AZ | |
| FB101 | 1-469-152-11 | FERRITE, EMI (SMD) (2012) | | Q352 | 8-729-120-28 | TRANSISTOR 2SC1623-L5L6 | |
| | | < IC > | | Q371 | 6-551-696-01 | TRANSISTOR ISA1235AC1TP-1EF | |
| IC301 | 6-706-641-01 | IC LA4631-E | | Q372 | 8-729-120-28 | TRANSISTOR 2SC1623-L5L6 | |
| IC401 | 6-702-895-01 | IC BD3881FV | | Q507 | 8-729-120-28 | TRANSISTOR 2SC1623-L5L6 | |
| IC451 | 8-759-526-64 | IC NJM2521M (TE2) | | Q801 | 8-729-120-28 | TRANSISTOR 2SC1623-L5L6 | |
| IC452 | 8-759-526-64 | IC NJM2521M (TE2) | | Q802 | 8-729-120-28 | TRANSISTOR 2SC1623-L5L6 | |
| IC801 | 6-708-840-01 | IC LV23003VA | | Q803 | 6-550-304-01 | TRANSISTOR 2SC5477-T122-1 | |
| | | | | Q861 | 8-729-120-28 | TRANSISTOR 2SC1623-L5L6 | (EH25: AEP, UK/EH26) |
| IC861 | 6-708-918-01 | IC PT2579SN (EH25: AEP, UK/EH26) | | Q862 | 8-729-120-28 | TRANSISTOR 2SC1623-L5L6 | (EH25: AEP, UK/EH26) |
| | | | | | | < RESISTOR > | |
| | | | | R101 | 1-216-833-11 | METAL CHIP 10K 5% 1/10W | |
| | | | | R102 | 1-216-809-11 | METAL CHIP 100 5% 1/10W | |

| Ref. No. | Part No. | Description | | | Remark | Ref. No. | Part No. | Description | | | Remark |
|----------|--------------|-------------|------|----|------------------------|----------|--------------|-------------|------|----|--------|
| R103 | 1-216-841-11 | METAL CHIP | 47K | 5% | 1/10W | R375 | 1-218-446-11 | METAL CHIP | 1 | 5% | 1/10W |
| R104 | 1-216-845-11 | METAL CHIP | 100K | 5% | 1/10W | R376 | 1-218-446-11 | METAL CHIP | 1 | 5% | 1/10W |
| R105 | 1-216-845-11 | METAL CHIP | 100K | 5% | 1/10W | R377 | 1-218-446-11 | METAL CHIP | 1 | 5% | 1/10W |
| R106 | 1-216-837-11 | METAL CHIP | 22K | 5% | 1/10W | R378 | 1-218-446-11 | METAL CHIP | 1 | 5% | 1/10W |
| | | | | | (EXCEPT EH25: AUS, SP) | R379 | 1-218-446-11 | METAL CHIP | 1 | 5% | 1/10W |
| R106 | 1-218-292-11 | RES, CHIP | 20K | 5% | 1/10W | R380 | 1-218-446-11 | METAL CHIP | 1 | 5% | 1/10W |
| | | | | | (EH25: AUS, SP) | R381 | 1-216-833-11 | METAL CHIP | 10K | 5% | 1/10W |
| R107 | 1-216-817-11 | METAL CHIP | 470 | 5% | 1/10W | R382 | 1-216-833-11 | METAL CHIP | 10K | 5% | 1/10W |
| R108 | 1-216-809-11 | METAL CHIP | 100 | 5% | 1/10W | R383 | 1-216-833-11 | METAL CHIP | 10K | 5% | 1/10W |
| R109 | 1-216-817-11 | METAL CHIP | 470 | 5% | 1/10W | R384 | 1-216-821-11 | METAL CHIP | 1K | 5% | 1/10W |
| R110 | 1-216-845-11 | METAL CHIP | 100K | 5% | 1/10W | R402 | 1-216-809-11 | METAL CHIP | 100 | 5% | 1/10W |
| R111 | 1-216-853-11 | METAL CHIP | 470K | 5% | 1/10W | R403 | 1-216-822-11 | METAL CHIP | 1.2K | 5% | 1/10W |
| R112 | 1-216-853-11 | METAL CHIP | 470K | 5% | 1/10W | R405 | 1-216-864-11 | SHORT CHIP | 0 | | |
| R115 | 1-249-409-11 | CARBON | 220 | 5% | 1/4W | R406 | 1-216-821-11 | METAL CHIP | 1K | 5% | 1/10W |
| R116 | 1-249-409-11 | CARBON | 220 | 5% | 1/4W | R407 | 1-216-809-11 | METAL CHIP | 100 | 5% | 1/10W |
| R117 | 1-249-409-11 | CARBON | 220 | 5% | 1/4W | R410 | 1-216-845-11 | METAL CHIP | 100K | 5% | 1/10W |
| R118 | 1-249-409-11 | CARBON | 220 | 5% | 1/4W | R411 | 1-216-821-11 | METAL CHIP | 1K | 5% | 1/10W |
| R119 | 1-216-825-11 | METAL CHIP | 2.2K | 5% | 1/10W | R412 | 1-216-813-11 | METAL CHIP | 220 | 5% | 1/10W |
| R120 | 1-216-825-11 | METAL CHIP | 2.2K | 5% | 1/10W | R423 | 1-216-829-11 | METAL CHIP | 4.7K | 5% | 1/10W |
| R121 | 1-216-849-11 | METAL CHIP | 220K | 5% | 1/10W | R424 | 1-216-829-11 | METAL CHIP | 4.7K | 5% | 1/10W |
| R123 | 1-216-853-11 | METAL CHIP | 470K | 5% | 1/10W | R425 | 1-216-829-11 | METAL CHIP | 4.7K | 5% | 1/10W |
| R124 | 1-216-809-11 | METAL CHIP | 100 | 5% | 1/10W | R426 | 1-216-829-11 | METAL CHIP | 4.7K | 5% | 1/10W |
| R125 | 1-216-829-11 | METAL CHIP | 4.7K | 5% | 1/10W | R427 | 1-216-845-11 | METAL CHIP | 100K | 5% | 1/10W |
| R126 | 1-216-841-11 | METAL CHIP | 47K | 5% | 1/10W | R428 | 1-216-845-11 | METAL CHIP | 100K | 5% | 1/10W |
| R127 | 1-216-841-11 | METAL CHIP | 47K | 5% | 1/10W | R429 | 1-216-829-11 | METAL CHIP | 4.7K | 5% | 1/10W |
| R128 | 1-216-813-11 | METAL CHIP | 220 | 5% | 1/10W | R430 | 1-216-829-11 | METAL CHIP | 4.7K | 5% | 1/10W |
| R129 | 1-216-813-11 | METAL CHIP | 220 | 5% | 1/10W | R433 | 1-216-837-11 | METAL CHIP | 22K | 5% | 1/10W |
| R130 | 1-216-813-11 | METAL CHIP | 220 | 5% | 1/10W | R434 | 1-216-837-11 | METAL CHIP | 22K | 5% | 1/10W |
| R131 | 1-216-813-11 | METAL CHIP | 220 | 5% | 1/10W | R439 | 1-216-829-11 | METAL CHIP | 4.7K | 5% | 1/10W |
| R151 | 1-216-833-11 | METAL CHIP | 10K | 5% | 1/10W | R440 | 1-216-829-11 | METAL CHIP | 4.7K | 5% | 1/10W |
| R152 | 1-216-833-11 | METAL CHIP | 10K | 5% | 1/10W | R441 | 1-216-844-11 | METAL CHIP | 82K | 5% | 1/10W |
| R153 | 1-216-829-11 | METAL CHIP | 4.7K | 5% | 1/10W | R442 | 1-216-844-11 | METAL CHIP | 82K | 5% | 1/10W |
| R154 | 1-216-829-11 | METAL CHIP | 4.7K | 5% | 1/10W | R451 | 1-216-833-11 | METAL CHIP | 10K | 5% | 1/10W |
| R155 | 1-216-829-11 | METAL CHIP | 4.7K | 5% | 1/10W | R452 | 1-216-833-11 | METAL CHIP | 10K | 5% | 1/10W |
| R156 | 1-216-829-11 | METAL CHIP | 4.7K | 5% | 1/10W | R453 | 1-216-809-11 | METAL CHIP | 100 | 5% | 1/10W |
| R175 | 1-216-845-11 | METAL CHIP | 100K | 5% | 1/10W | R501 | 1-216-809-11 | METAL CHIP | 100 | 5% | 1/10W |
| R176 | 1-216-845-11 | METAL CHIP | 100K | 5% | 1/10W | R502 | 1-216-809-11 | METAL CHIP | 100 | 5% | 1/10W |
| R181 | 1-216-797-11 | METAL CHIP | 10 | 5% | 1/10W | R503 | 1-216-835-11 | METAL CHIP | 15K | 5% | 1/10W |
| R182 | 1-216-797-11 | METAL CHIP | 10 | 5% | 1/10W | R504 | 1-216-835-11 | METAL CHIP | 15K | 5% | 1/10W |
| R301 | 1-216-837-11 | METAL CHIP | 22K | 5% | 1/10W | R507 | 1-216-825-11 | METAL CHIP | 2.2K | 5% | 1/10W |
| R302 | 1-216-837-11 | METAL CHIP | 22K | 5% | 1/10W | R508 | 1-216-825-11 | METAL CHIP | 2.2K | 5% | 1/10W |
| R303 | 1-216-825-11 | METAL CHIP | 2.2K | 5% | 1/10W | R509 | 1-216-852-11 | METAL CHIP | 390K | 5% | 1/10W |
| R304 | 1-216-825-11 | METAL CHIP | 2.2K | 5% | 1/10W | R510 | 1-216-852-11 | METAL CHIP | 390K | 5% | 1/10W |
| R305 | 1-216-829-11 | METAL CHIP | 4.7K | 5% | 1/10W | R513 | 1-216-811-11 | METAL CHIP | 150 | 5% | 1/10W |
| R306 | 1-216-829-11 | METAL CHIP | 4.7K | 5% | 1/10W | R514 | 1-216-811-11 | METAL CHIP | 150 | 5% | 1/10W |
| R307 | 1-216-837-11 | METAL CHIP | 22K | 5% | 1/10W | R517 | 1-216-845-11 | METAL CHIP | 100K | 5% | 1/10W |
| R308 | 1-216-837-11 | METAL CHIP | 22K | 5% | 1/10W | R518 | 1-216-845-11 | METAL CHIP | 100K | 5% | 1/10W |
| R339 | 1-216-809-11 | METAL CHIP | 100 | 5% | 1/10W | R519 | 1-216-841-11 | METAL CHIP | 47K | 5% | 1/10W |
| R340 | 1-216-809-11 | METAL CHIP | 100 | 5% | 1/10W | R520 | 1-216-841-11 | METAL CHIP | 47K | 5% | 1/10W |
| R351 | 1-216-833-11 | METAL CHIP | 10K | 5% | 1/10W | R521 | 1-216-837-11 | METAL CHIP | 22K | 5% | 1/10W |
| R352 | 1-216-825-11 | METAL CHIP | 2.2K | 5% | 1/10W | R522 | 1-216-837-11 | METAL CHIP | 22K | 5% | 1/10W |
| R353 | 1-216-833-11 | METAL CHIP | 10K | 5% | 1/10W | R523 | 1-216-827-11 | METAL CHIP | 3.3K | 5% | 1/10W |
| R354 | 1-216-833-11 | METAL CHIP | 10K | 5% | 1/10W | R524 | 1-216-827-11 | METAL CHIP | 3.3K | 5% | 1/10W |
| R355 | 1-216-833-11 | METAL CHIP | 10K | 5% | 1/10W | R527 | 1-216-829-11 | METAL CHIP | 4.7K | 5% | 1/10W |
| R356 | 1-216-837-11 | METAL CHIP | 22K | 5% | 1/10W | R528 | 1-216-829-11 | METAL CHIP | 4.7K | 5% | 1/10W |
| R365 | 1-216-825-11 | METAL CHIP | 2.2K | 5% | 1/10W | R529 | 1-216-825-11 | METAL CHIP | 2.2K | 5% | 1/10W |
| R371 | 1-218-446-11 | METAL CHIP | 1 | 5% | 1/10W | R530 | 1-216-825-11 | METAL CHIP | 2.2K | 5% | 1/10W |
| R372 | 1-218-446-11 | METAL CHIP | 1 | 5% | 1/10W | R531 | 1-216-835-11 | METAL CHIP | 15K | 5% | 1/10W |
| R373 | 1-218-446-11 | METAL CHIP | 1 | 5% | 1/10W | R532 | 1-216-835-11 | METAL CHIP | 15K | 5% | 1/10W |
| R374 | 1-218-446-11 | METAL CHIP | 1 | 5% | 1/10W | R535 | 1-216-813-11 | METAL CHIP | 220 | 5% | 1/10W |

HCD-EH25/EH26

Ver. 1.3

MAIN **PANEL**

| Ref. No. | Part No. | Description | Remark |
|----------|--------------|-----------------|--------------------------------------|
| R536 | 1-216-813-11 | METAL CHIP 220 | 5% 1/10W |
| R541 | 1-216-837-11 | METAL CHIP 22K | 5% 1/10W |
| R542 | 1-216-835-11 | METAL CHIP 15K | 5% 1/10W |
| R543 | 1-216-829-11 | METAL CHIP 4.7K | 5% 1/10W |
| R544 | 1-216-828-11 | METAL CHIP 3.9K | 5% 1/10W |
| R560 | 1-216-821-11 | METAL CHIP 1K | 5% 1/10W |
| R561 | 1-216-837-11 | METAL CHIP 22K | 5% 1/10W |
| R564 | 1-216-793-11 | METAL CHIP 4.7 | 5% 1/10W |
| R565 | 1-216-793-11 | METAL CHIP 4.7 | 5% 1/10W |
| R801 | 1-216-825-11 | METAL CHIP 2.2K | 5% 1/10W |
| R802 | 1-216-797-11 | METAL CHIP 10 | 5% 1/10W |
| R803 | 1-216-797-11 | METAL CHIP 10 | 5% 1/10W |
| R804 | 1-216-864-11 | SHORT CHIP 0 | |
| R805 | 1-216-845-11 | METAL CHIP 100K | 5% 1/10W |
| R806 | 1-216-864-11 | SHORT CHIP 0 | |
| R807 | 1-216-845-11 | METAL CHIP 100K | 5% 1/10W |
| R808 | 1-216-833-11 | METAL CHIP 10K | 5% 1/10W |
| R809 | 1-216-821-11 | METAL CHIP 1K | 5% 1/10W |
| R810 | 1-216-857-11 | METAL CHIP 1M | 5% 1/10W |
| R811 | 1-216-829-11 | METAL CHIP 4.7K | 5% 1/10W |
| R812 | 1-216-817-11 | METAL CHIP 470 | 5% 1/10W |
| R813 | 1-216-833-11 | METAL CHIP 10K | 5% 1/10W |
| R814 | 1-216-809-11 | METAL CHIP 100 | 5% 1/10W |
| R815 | 1-216-829-11 | METAL CHIP 4.7K | 5% 1/10W |
| R816 | 1-216-833-11 | METAL CHIP 10K | 5% 1/10W |
| R817 | 1-216-833-11 | METAL CHIP 10K | 5% 1/10W |
| R818 | 1-216-841-11 | METAL CHIP 47K | 5% 1/10W |
| R819 | 1-216-841-11 | METAL CHIP 47K | 5% 1/10W |
| R820 | 1-216-833-11 | METAL CHIP 10K | 5% 1/10W |
| R821 | 1-216-813-11 | METAL CHIP 220 | 5% 1/10W |
| R822 | 1-216-825-11 | METAL CHIP 2.2K | 5% 1/10W |
| R823 | 1-216-809-11 | METAL CHIP 100 | 5% 1/10W |
| R824 | 1-216-825-11 | METAL CHIP 2.2K | 5% 1/10W |
| R825 | 1-216-817-11 | METAL CHIP 470 | 5% 1/10W |
| R826 | 1-216-809-11 | METAL CHIP 100 | 5% 1/10W |
| R827 | 1-216-809-11 | METAL CHIP 100 | 5% 1/10W |
| R828 | 1-216-801-11 | METAL CHIP 22 | 5% 1/10W (EH25: AEP, RU, UK/EH26) |
| R828 | 1-216-805-11 | METAL CHIP 47 | 5% 1/10W (EH25: AUS, SP, KR) |
| R829 | 1-216-845-11 | METAL CHIP 100K | 5% 1/10W |
| R830 | 1-216-841-11 | METAL CHIP 47K | 5% 1/10W |
| R831 | 1-216-813-11 | METAL CHIP 220 | 5% 1/10W |
| R833 | 1-216-833-11 | METAL CHIP 10K | 5% 1/10W |
| R834 | 1-216-837-11 | METAL CHIP 22K | 5% 1/10W |
| R835 | 1-216-829-11 | METAL CHIP 4.7K | 5% 1/10W |
| R836 | 1-216-833-11 | METAL CHIP 10K | 5% 1/10W |
| R837 | 1-216-821-11 | METAL CHIP 1K | 5% 1/10W |
| R838 | 1-216-821-11 | METAL CHIP 1K | 5% 1/10W |
| R839 | 1-216-809-11 | METAL CHIP 100 | 5% 1/10W |
| R840 | 1-216-837-11 | METAL CHIP 22K | 5% 1/10W |
| R841 | 1-216-809-11 | METAL CHIP 100 | 5% 1/10W |
| R842 | 1-216-841-11 | METAL CHIP 47K | 5% 1/10W |
| R843 | 1-216-853-11 | METAL CHIP 470K | 5% 1/10W |
| R844 | 1-216-797-11 | METAL CHIP 10 | 5% 1/10W |
| R845 | 1-216-801-11 | METAL CHIP 22 | 5% 1/10W |
| R846 | 1-216-825-11 | METAL CHIP 2.2K | 5% 1/10W |
| R847 | 1-216-801-11 | METAL CHIP 22 | 5% 1/10W |
| R848 | 1-216-821-11 | METAL CHIP 1K | 5% 1/10W |
| R849 | 1-216-837-11 | METAL CHIP 22K | 5% 1/10W |
| R850 | 1-216-825-11 | METAL CHIP 2.2K | 5% 1/10W |

| Ref. No. | Part No. | Description | Remark |
|--------------|-----------------------|------------------------------|--------------------------------------|
| R851 | 1-216-837-11 | METAL CHIP 22K | 5% 1/10W |
| R853 | 1-216-845-11 | METAL CHIP 100K | 5% 1/10W |
| R856 | 1-216-841-11 | METAL CHIP 47K | 5% 1/10W (EH25: AEP, UK/EH26) |
| R857 | 1-216-841-11 | METAL CHIP 47K | 5% 1/10W (EH25: AEP, UK/EH26) |
| R859 | 1-216-821-11 | METAL CHIP 1K | 5% 1/10W (EH25: AEP, RU, UK/EH26) |
| R859 | 1-216-837-11 | METAL CHIP 22K | 5% 1/10W (EH25: AUS, SP, KR) |
| R860 | 1-216-821-11 | METAL CHIP 1K | 5% 1/10W (EH25: AEP, RU, UK/EH26) |
| R860 | 1-216-837-11 | METAL CHIP 22K | 5% 1/10W (EH25: AUS, SP, KR) |
| R861 | 1-216-833-11 | METAL CHIP 10K | 5% 1/10W (EH25: AEP, UK/EH26) |
| R863 | 1-216-837-11 | METAL CHIP 22K | 5% 1/10W |
| R864 | 1-216-833-11 | METAL CHIP 10K | 5% 1/10W (EH25: AEP, UK/EH26) |
| R866 | 1-216-833-11 | METAL CHIP 10K | 5% 1/10W (EH25: AEP, UK/EH26) |
| R867 | 1-216-833-11 | METAL CHIP 10K | 5% 1/10W (EH25: AEP, UK/EH26) |
| R868 | 1-216-833-11 | METAL CHIP 10K | 5% 1/10W (EH25: AEP, UK/EH26) |
| R869 | 1-216-833-11 | METAL CHIP 10K | 5% 1/10W (EH25: AEP, UK/EH26) |
| R870 | 1-216-853-11 | METAL CHIP 470K | 5% 1/10W (EH25: AEP, UK/EH26) |
| R871 | 1-216-849-11 | METAL CHIP 220K | 5% 1/10W (EH25: AEP, UK/EH26) |
| R872 | 1-216-813-11 | METAL CHIP 220 | 5% 1/10W (EH25: AEP, UK/EH26) |
| R873 | 1-216-825-11 | METAL CHIP 2.2K | 5% 1/10W (EH25: AEP, UK/EH26) |
| R874 | 1-216-845-11 | METAL CHIP 100K | 5% 1/10W (EH25: AEP, UK/EH26) |
| R875 | 1-216-845-11 | METAL CHIP 100K | 5% 1/10W (EH25: AEP, UK/EH26) |
| R876 | 1-216-841-11 | METAL CHIP 47K | 5% 1/10W (EH25: AEP, UK/EH26) |
| < SWITCH > | | | |
| SW501 | 1-762-369-11 | SWITCH, SLIDE (REC/PB) | |
| < VIBRATOR > | | | |
| X801 | 1-767-388-21 | VIBRATOR, CRYSTAL (75kHz) | (EH25: AUS, SP, KR) |
| X801 | 1-795-926-11 | VIBRATOR, CRYSTAL (75kHz) | (EH25: AEP, RU, UK/EH26) |
| X861 | 1-579-900-21 | VIBRATOR, CRYSTAL (4.332MHz) | (EH25: AEP, UK/EH26) |
| ***** | | | |
| A-1544-901-A | PANEL BOARD, COMPLETE | | (EH25: AEP, UK/EH26) |
| A-1544-908-A | PANEL BOARD, COMPLETE | | (EH25: SP, KR) |
| A-1547-613-A | PANEL BOARD, COMPLETE | | (EH25: RU) |
| A-1717-272-A | PANEL BOARD, COMPLETE | | (EH25: AUS) |
| ***** | | | |
| 2-636-531-01 | HOLDER (LCD) | | |
| 2-636-532-01 | ILLUMINATOR (LCD) | | |
| 2-636-545-01 | SHEET (LCD) | | |

| Ref. No. | Part No. | Description | Remark | Ref. No. | Part No. | Description | Remark |
|----------|--------------|---|----------|----------|--------------|--|--------|
| | | < CAPACITOR > | | JR707 | 1-216-864-11 | SHORT CHIP | 0 |
| | | | | JR709 | 1-216-864-11 | SHORT CHIP | 0 |
| C701 | 1-164-156-11 | CERAMIC CHIP 0.1uF | 25V | JR710 | 1-216-864-11 | SHORT CHIP | 0 |
| C702 | 1-162-970-11 | CERAMIC CHIP 0.01uF | 10% 25V | JR713 | 1-216-864-11 | SHORT CHIP | 0 |
| C704 | 1-126-518-11 | ELECT 470uF | 20% 4V | JR714 | 1-216-864-11 | SHORT CHIP | 0 |
| C706 | 1-164-156-11 | CERAMIC CHIP 0.1uF | 25V | JR715 | 1-216-864-11 | SHORT CHIP | 0 |
| C707 | 1-162-964-11 | CERAMIC CHIP 0.001uF | 10% 50V | JR719 | 1-216-864-11 | SHORT CHIP | 0 |
| C710 | 1-165-908-11 | CERAMIC CHIP 1uF | 10% 10V | JR722 | 1-216-864-11 | SHORT CHIP | 0 |
| C711 | 1-164-156-11 | CERAMIC CHIP 0.1uF | 25V | JR723 | 1-216-864-11 | SHORT CHIP | 0 |
| C712 | 1-164-156-11 | CERAMIC CHIP 0.1uF | 25V | JR724 | 1-216-864-11 | SHORT CHIP | 0 |
| C716 | 1-164-156-11 | CERAMIC CHIP 0.1uF | 25V | JR725 | 1-216-864-11 | SHORT CHIP | 0 |
| C719 | 1-165-176-11 | CERAMIC CHIP 0.047uF | 10% 16V | JR726 | 1-216-864-11 | SHORT CHIP | 0 |
| C721 | 1-162-971-11 | CERAMIC CHIP 0.001uF | 10% 50V | JR743 | 1-216-864-11 | SHORT CHIP | 0 |
| C722 | 1-162-971-11 | CERAMIC CHIP 0.001uF | 10% 50V | JR747 | 1-216-864-11 | SHORT CHIP | 0 |
| C723 | 1-162-971-11 | CERAMIC CHIP 0.001uF | 10% 50V | JR748 | 1-216-864-11 | SHORT CHIP | 0 |
| C724 | 1-113-905-11 | CERAMIC 220PF | 10% 250V | JR749 | 1-216-864-11 | SHORT CHIP | 0 |
| C725 | 1-124-584-00 | ELECT 100uF | 20% 6.3V | JR750 | 1-216-864-11 | SHORT CHIP | 0 |
| C726 | 1-162-970-11 | CERAMIC CHIP 0.01uF | 10% 25V | JR751 | 1-216-864-11 | SHORT CHIP | 0 |
| C727 | 1-162-923-11 | CERAMIC CHIP 47PF | 5% 50V | JR752 | 1-216-864-11 | SHORT CHIP | 0 |
| C728 | 1-162-923-11 | CERAMIC CHIP 47PF | 5% 50V | JR754 | 1-216-864-11 | SHORT CHIP | 0 |
| C729 | 1-162-964-11 | CERAMIC CHIP 0.001uF | 10% 50V | JR760 | 1-216-864-11 | SHORT CHIP | 0 |
| C731 | 1-164-156-11 | CERAMIC CHIP 0.1uF | 25V | JR762 | 1-216-864-11 | SHORT CHIP | 0 |
| C732 | 1-162-918-11 | CERAMIC CHIP 18PF | 5% 50V | JR763 | 1-216-864-11 | SHORT CHIP | 0 |
| C733 | 1-162-919-11 | CERAMIC CHIP 22PF | 5% 50V | JR775 | 1-216-864-11 | SHORT CHIP | 0 |
| C738 | 1-115-156-11 | CERAMIC CHIP 1uF | 10V | JR788 | 1-216-864-11 | SHORT CHIP | 0 |
| C739 | 1-162-964-11 | CERAMIC CHIP 0.001uF | 10% 50V | JR789 | 1-216-864-11 | SHORT CHIP | 0 |
| C740 | 1-100-566-91 | CERAMIC CHIP 0.1uF | 10% 25V | L701 | 1-216-864-11 | SHORT CHIP | 0 |
| C741 | 1-115-156-11 | CERAMIC CHIP 1uF | 10V | L702 | 1-216-864-11 | SHORT CHIP | 0 |
| C742 | 1-115-156-11 | CERAMIC CHIP 1uF | 10V | | | < LIQUID CRYSTAL DISPLAY > | |
| C743 | 1-115-156-11 | CERAMIC CHIP 1uF | 10V | LCD702 | 1-802-381-11 | DISPLAY PANEL, LIQUID CRYSTAL | |
| C744 | 1-162-964-11 | CERAMIC CHIP 0.001uF | 10% 50V | | | < LED > | |
| C745 | 1-100-566-91 | CERAMIC CHIP 0.1uF | 10% 25V | LED701 | 6-502-498-01 | LED SELU2B10A-SLF62FGH (LCD BACK LIGHT) | |
| C748 | 1-100-566-91 | CERAMIC CHIP 0.1uF | 10% 25V | LED702 | 6-501-452-01 | LED 1L4345V22DOTDT02 (STANDBY) | |
| C750 | 1-164-156-11 | CERAMIC CHIP 0.1uF | 25V | | | < TRANSISTOR > | |
| C751 | 1-164-156-11 | CERAMIC CHIP 0.1uF | 25V | Q701 | 6-551-696-01 | TRANSISTOR ISA1235AC1TP-1EF | |
| C753 | 1-115-156-11 | CERAMIC CHIP 1uF | 10V | Q702 | 8-729-120-28 | TRANSISTOR 2SC1623-L5L6 | |
| | | < CONNECTOR > | | Q703 | 8-729-120-28 | TRANSISTOR 2SC1623-L5L6 | |
| CNP701 | 1-779-289-11 | CONNECTOR, FFC (LIF (NON-ZIF)) 21P | | Q704 | 8-729-038-28 | TRANSISTOR RT1N441C-TP-1 | |
| CNP703 | 1-784-727-11 | CONNECTOR, FFC 5P (EH25: RU, AUS, SP, KR) | | Q705 | 8-729-120-28 | TRANSISTOR 2SC1623-L5L6 | |
| CNP703 | 1-568-850-11 | CONNECTOR, FFC 7P (EH25: AEP, UK/EH26) | | Q706 | 8-729-120-28 | TRANSISTOR 2SC1623-L5L6 | |
| CNP706 | 1-784-780-11 | CONNECTOR, FFC 19P | | Q707 | 8-729-120-28 | TRANSISTOR 2SC1623-L5L6 | |
| CNP707 | 1-779-281-11 | CONNECTOR, FFC (LIF (NON-ZIF)) 13P | | Q708 | 6-551-696-01 | TRANSISTOR ISA1235AC1TP-1EF | |
| | | < DIODE > | | Q709 | 6-551-696-01 | TRANSISTOR ISA1235AC1TP-1EF | |
| D701 | 6-501-163-01 | DIODE UDZW-TE17-3.6B | | Q710 | 8-729-038-28 | TRANSISTOR RT1N441C-TP-1 | |
| D702 | 6-500-334-01 | DIODE MC2836-T112-1 | | Q711 | 8-729-120-28 | TRANSISTOR 2SC1623-L5L6 | |
| D703 | 6-500-335-01 | DIODE MC2838-T112-1 | | Q712 | 8-729-120-28 | TRANSISTOR 2SC1623-L5L6 | |
| D704 | 6-501-582-01 | DIODE 1N4002-B5 | | Q713 | 8-729-038-28 | TRANSISTOR RT1N441C-TP-1 | |
| D705 | 6-501-582-01 | DIODE 1N4002-B5 | | Q714 | 6-551-696-01 | TRANSISTOR ISA1235AC1TP-1EF | |
| | | < IC > | | | | < RESISTOR > | |
| IC701 | A-1563-668-A | IC MB90F830PF-GE1 (for SERVICE) | | R701 | 1-216-817-11 | METAL CHIP 470 5% 1/10W | |
| IC703 | 6-600-349-31 | IC NJL24H400A | | R702 | 1-216-821-11 | METAL CHIP 1K 5% 1/10W | |
| IC706 | 6-711-821-01 | IC TK11135CSCL-G | | R703 | 1-216-821-11 | METAL CHIP 1K 5% 1/10W | |
| IC707 | 6-706-964-01 | IC TK70533SCL-G | | R704 | 1-216-821-11 | METAL CHIP 1K 5% 1/10W | |
| IC709 | 6-712-923-01 | IC PST3542UL | | R705 | 1-216-821-11 | METAL CHIP 1K 5% 1/10W | |
| | | < JUMPER RESISTOR > | | | | | |
| JR702 | 1-216-864-11 | SHORT CHIP 0 | | | | | |
| JR705 | 1-216-864-11 | SHORT CHIP 0 | | | | | |
| JR706 | 1-216-864-11 | SHORT CHIP 0 | | | | | |

HCD-EH25/EH26

Ver. 1.3

PANEL PT-VBUS

| Ref. No. | Part No. | Description | Remark |
|----------|--------------|--------------------|-------------------------------|
| R706 | 1-216-821-11 | METAL CHIP 1K 5% | 1/10W |
| R707 | 1-216-821-11 | METAL CHIP 1K 5% | 1/10W |
| R708 | 1-216-821-11 | METAL CHIP 1K 5% | 1/10W |
| R709 | 1-216-821-11 | METAL CHIP 1K 5% | 1/10W |
| R710 | 1-216-821-11 | METAL CHIP 1K 5% | 1/10W |
| R711 | 1-216-821-11 | METAL CHIP 1K 5% | 1/10W |
| R712 | 1-216-864-11 | SHORT CHIP 0 | |
| R713 | 1-216-833-11 | METAL CHIP 10K 5% | 1/10W |
| R714 | 1-216-833-11 | METAL CHIP 10K 5% | 1/10W |
| R715 | 1-216-809-11 | METAL CHIP 100 5% | 1/10W |
| R716 | 1-216-809-11 | METAL CHIP 100 5% | 1/10W |
| R718 | 1-216-821-11 | METAL CHIP 1K 5% | 1/10W |
| R719 | 1-216-821-11 | METAL CHIP 1K 5% | 1/10W |
| R720 | 1-216-821-11 | METAL CHIP 1K 5% | 1/10W |
| R721 | 1-216-817-11 | METAL CHIP 470 5% | 1/10W |
| R722 | 1-216-821-11 | METAL CHIP 1K 5% | 1/10W (EH25: AEP, UK/EH26) |
| R723 | 1-216-817-11 | METAL CHIP 470 5% | 1/10W |
| R724 | 1-216-821-11 | METAL CHIP 1K 5% | 1/10W |
| R725 | 1-216-821-11 | METAL CHIP 1K 5% | 1/10W |
| R726 | 1-216-821-11 | METAL CHIP 1K 5% | 1/10W |
| R727 | 1-216-821-11 | METAL CHIP 1K 5% | 1/10W |
| R728 | 1-216-833-11 | METAL CHIP 10K 5% | 1/10W |
| R729 | 1-216-821-11 | METAL CHIP 1K 5% | 1/10W |
| R730 | 1-216-821-11 | METAL CHIP 1K 5% | 1/10W |
| R731 | 1-216-821-11 | METAL CHIP 1K 5% | 1/10W |
| R732 | 1-216-841-11 | METAL CHIP 47K 5% | 1/10W |
| R733 | 1-216-841-11 | METAL CHIP 47K 5% | 1/10W |
| R734 | 1-216-821-11 | METAL CHIP 1K 5% | 1/10W |
| R735 | 1-216-821-11 | METAL CHIP 1K 5% | 1/10W |
| R736 | 1-216-821-11 | METAL CHIP 1K 5% | 1/10W |
| R738 | 1-216-833-11 | METAL CHIP 10K 5% | 1/10W |
| R739 | 1-216-833-11 | METAL CHIP 10K 5% | 1/10W |
| R740 | 1-216-829-11 | METAL CHIP 4.7K 5% | 1/10W |
| R741 | 1-216-829-11 | METAL CHIP 4.7K 5% | 1/10W |
| R742 | 1-216-821-11 | METAL CHIP 1K 5% | 1/10W |
| R743 | 1-216-821-11 | METAL CHIP 1K 5% | 1/10W |
| R744 | 1-216-825-11 | METAL CHIP 2.2K 5% | 1/10W |
| R745 | 1-216-833-11 | METAL CHIP 10K 5% | 1/10W |
| R746 | 1-216-825-11 | METAL CHIP 2.2K 5% | 1/10W |
| R747 | 1-216-829-11 | METAL CHIP 4.7K 5% | 1/10W |
| R748 | 1-216-841-11 | METAL CHIP 47K 5% | 1/10W |
| R749 | 1-216-821-11 | METAL CHIP 1K 5% | 1/10W |
| R750 | 1-216-825-11 | METAL CHIP 2.2K 5% | 1/10W |
| R751 | 1-216-821-11 | METAL CHIP 1K 5% | 1/10W (EH25: AEP, UK/EH26) |
| R753 | 1-216-809-11 | METAL CHIP 100 5% | 1/10W |
| R754 | 1-216-833-11 | METAL CHIP 10K 5% | 1/10W |
| R755 | 1-216-845-11 | METAL CHIP 100K 5% | 1/10W |
| R756 | 1-216-821-11 | METAL CHIP 1K 5% | 1/10W |
| R757 | 1-216-845-11 | METAL CHIP 100K 5% | 1/10W |
| R759 | 1-216-809-11 | METAL CHIP 100 5% | 1/10W |
| R760 | 1-216-845-11 | METAL CHIP 100K 5% | 1/10W |
| R761 | 1-216-841-11 | METAL CHIP 47K 5% | 1/10W |
| R762 | 1-216-825-11 | METAL CHIP 2.2K 5% | 1/10W |
| R763 | 1-216-837-11 | METAL CHIP 22K 5% | 1/10W |
| R764 | 1-216-837-11 | METAL CHIP 22K 5% | 1/10W |
| R765 | 1-216-829-11 | METAL CHIP 4.7K 5% | 1/10W |
| R766 | 1-216-797-11 | METAL CHIP 10 5% | 1/10W |
| R767 | 1-216-849-11 | METAL CHIP 220K 5% | 1/10W |
| R768 | 1-216-805-11 | METAL CHIP 47 5% | 1/10W |

| Ref. No. | Part No. | Description | Remark |
|---------------------------|--------------|--------------------------------------|--------------------------|
| R770 | 1-216-841-11 | METAL CHIP 47K 5% | 1/10W |
| R771 | 1-216-840-11 | METAL CHIP 39K 5% | 1/10W |
| R772 | 1-216-837-11 | METAL CHIP 22K 5% | 1/10W |
| R774 | 1-216-821-11 | METAL CHIP 1K 5% | 1/10W |
| R775 | 1-216-805-11 | METAL CHIP 47 5% | 1/10W |
| R777 | 1-216-805-11 | METAL CHIP 47 5% | 1/10W |
| R779 | 1-216-849-11 | METAL CHIP 220K 5% | 1/10W |
| R781 | 1-216-813-11 | METAL CHIP 220 5% | 1/10W (EH25: RU) |
| R781 | 1-216-829-11 | METAL CHIP 4.7K 5% | 1/10W (EH25: AUS) |
| R781 | 1-216-864-11 | SHORT CHIP 0 | (EH25: AEP, UK/EH26) |
| R782 | 1-216-829-11 | METAL CHIP 4.7K 5% | 1/10W (EH25: RU, AUS) |
| R782 | 1-216-864-11 | SHORT CHIP 0 | (EH25: SP, KR) |
| R783 | 1-216-864-11 | SHORT CHIP 0 | (EH25: RU, AUS, SP, KR) |
| R784 | 1-216-845-11 | METAL CHIP 100K 5% | 1/10W |
| R785 | 1-216-833-11 | METAL CHIP 10K 5% | 1/10W |
| R787 | 1-216-841-11 | METAL CHIP 47K 5% | 1/10W |
| R788 | 1-216-821-11 | METAL CHIP 1K 5% | 1/10W |
| R789 | 1-216-821-11 | METAL CHIP 1K 5% | 1/10W |
| R790 | 1-216-821-11 | METAL CHIP 1K 5% | 1/10W |
| R791 | 1-216-821-11 | METAL CHIP 1K 5% | 1/10W |
| R792 | 1-216-833-11 | METAL CHIP 10K 5% | 1/10W |
| R793 | 1-216-833-11 | METAL CHIP 10K 5% | 1/10W |
| R794 | 1-218-867-11 | METAL CHIP 6.8K 0.5% | 1/10W |
| R795 | 1-216-823-11 | METAL CHIP 1.5K 5% | 1/10W |
| R796 | 1-216-826-11 | METAL CHIP 2.7K 5% | 1/10W |
| R797 | 1-216-819-11 | METAL CHIP 680 5% | 1/10W |
| R798 | 1-216-841-11 | METAL CHIP 47K 5% | 1/10W |
| R799 | 1-216-845-11 | METAL CHIP 100K 5% | 1/10W |
| < ROTARY ENCODER/SWITCH > | | | |
| SW700 | 1-478-642-11 | ENCODER, ROTARY (VOLUME) | |
| SW701 | 1-762-875-21 | SWITCH, KEYBOARD (CD ▶▶) | |
| SW702 | 1-762-875-21 | SWITCH, KEYBOARD (USB ▶▶) | |
| SW703 | 1-762-875-21 | SWITCH, KEYBOARD (TUNING +, ▶▶ ▷▷) | |
| SW704 | 1-762-875-21 | SWITCH, KEYBOARD (TUNING -, ◀◀ ◀◀) | |
| SW705 | 1-762-875-21 | SWITCH, KEYBOARD (/⌂) | |
| SW706 | 1-762-875-21 | SWITCH, KEYBOARD (FOLDER -) | |
| SW707 | 1-762-875-21 | SWITCH, KEYBOARD (FOLDER +) | |
| SW708 | 1-762-875-21 | SWITCH, KEYBOARD (TUNER/BAND) | |
| SW709 | 1-762-875-21 | SWITCH, KEYBOARD (■) | |
| SW710 | 1-762-875-21 | SWITCH, KEYBOARD (FUNCTION) | |
| SW711 | 1-762-875-21 | SWITCH, KEYBOARD (DSGX) | |
| < VIBRATOR > | | | |
| X701 | 1-760-252-12 | VIBRATOR, CRYSTAL (32768Hz) | |
| X702 | 1-813-940-11 | PIEZOELECTRIC OSCILLATOR (5.53MHz) | |
| ***** | | | |
| PT-VBUS BOARD | | | |
| ***** | | | |
| < CAPACITOR > | | | |
| C901 | 1-165-621-91 | CERAMIC CHIP 0.1uF | 50V |
| C902 | 1-165-621-91 | CERAMIC CHIP 0.1uF | 50V |
| C903 | 1-100-924-21 | ELECT 2200uF | 20% 35V |
| C906 | 1-128-957-31 | ELECT 220uF | 20% 35V |
| C909 | 1-107-826-11 | CERAMIC CHIP 0.1uF | 10% 16V |

| Ref. No. | Part No. | Description | Remark | Ref. No. | Part No. | Description | Remark |
|--------------|--------------|--------------------------------|--------|----------|--------------|------------------------------------|--------|
| C910 | 1-128-951-21 | ELECT 2200uF 20% | 16V | C137 | 1-164-360-11 | CERAMIC CHIP 0.1uF | 16V |
| C911 | 1-107-826-11 | CERAMIC CHIP 0.1uF 10% | 16V | C138 | 1-164-360-11 | CERAMIC CHIP 0.1uF | 16V |
| C913 | 1-107-826-11 | CERAMIC CHIP 0.1uF 10% | 16V | | | < CONNECTOR > | |
| | | < CONNECTOR > | | | | | |
| CN002 | 1-819-132-11 | PIN, CONNECTOR 4P | | CN101 | 1-784-865-51 | CONNECTOR, FFC (LIF (NON-ZIF)) 13P | |
| | | < DIODE > | | CN103 | 1-770-160-21 | PIN, CONNECTOR (PC BOARD) 2P | |
| | | | | CN104 | 1-794-548-21 | CONNECTOR, USB (A) (USB) | |
| | | | | | | < DIODE > | |
| D901 | 6-501-582-01 | DIODE 1N4002-B5 | | D101 | 6-501-579-01 | DIODE MC2837 | |
| D902 | 6-501-582-01 | DIODE 1N4002-B5 | | D102 | 6-501-579-01 | DIODE MC2837 | |
| D903 | 8-719-312-92 | DIODE RK14V1 | | D103 | 6-501-579-01 | DIODE MC2837 | |
| | | < IC > | | | | < JUMPER RESISTOR > | |
| IC901 | 8-759-640-19 | IC PQ1CG2032FZ | | FB101 | 1-216-295-91 | SHORT CHIP 0 | |
| | | < COIL > | | FB102 | 1-216-295-91 | SHORT CHIP 0 | |
| | | | | | | < IC > | |
| L901 | 1-456-467-11 | COIL, CHOKE 100uH | | IC101 | 6-712-645-01 | IC BU9428JKV-E2 | |
| | | < LINE FILTER > | | IC102 | 6-710-808-01 | IC TK63115SCL-G@GT | |
| △ LF901 | 1-443-993-11 | TRANSFORMER, LINE FILTER (LFT) | | IC103 | 6-710-887-01 | IC R5523N001B-TR-F | |
| | | < RESISTOR > | | IC104 | 6-709-888-01 | IC TC7WHU04FK (T5RSOYF | |
| | | | | IC105 | 6-707-808-01 | IC WM8727GED/RV | |
| R913 | 1-216-825-11 | METAL CHIP 2.2K 5% | 1/10W | | | < COIL > | |
| R918 | 1-218-855-11 | METAL CHIP 2.2K 0.5% | 1/10W | L102 | 1-457-223-11 | COMMON MODE CHOKE COIL | |
| R919 | 1-218-863-11 | METAL CHIP 4.7K 0.5% | 1/10W | | | < RESISTOR > | |
| R920 | 1-218-871-11 | METAL CHIP 10K 0.5% | 1/10W | R101 | 1-216-809-11 | METAL CHIP 100 5% | 1/10W |
| R921 | 1-218-855-11 | METAL CHIP 2.2K 0.5% | 1/10W | R102 | 1-216-809-11 | METAL CHIP 100 5% | 1/10W |
| | | < FUSE HOLDER > | | R103 | 1-216-809-11 | METAL CHIP 100 5% | 1/10W |
| T003 | 1-533-217-41 | FUSE HOLDER | | R104 | 1-216-809-11 | METAL CHIP 100 5% | 1/10W |
| T004 | 1-533-217-41 | FUSE HOLDER | | R105 | 1-216-809-11 | METAL CHIP 100 5% | 1/10W |
| ***** | | | | | | | |
| A-1527-435-A | | USB BOARD, COMPLETE | | R106 | 1-216-809-11 | METAL CHIP 100 5% | 1/10W |
| | | ***** | | R107 | 1-216-809-11 | METAL CHIP 100 5% | 1/10W |
| | | < CAPACITOR > | | R108 | 1-216-845-11 | METAL CHIP 100K 5% | 1/10W |
| C101 | 1-128-995-21 | ELECT CHIP 100uF 20% | 10V | R109 | 1-216-864-11 | SHORT CHIP 0 | |
| C103 | 1-100-354-21 | ELECT CHIP 220uF 20% | 6.3V | R112 | 1-216-864-11 | SHORT CHIP 0 | |
| C105 | 1-165-908-11 | CERAMIC CHIP 1uF 10% | 10V | R113 | 1-216-864-11 | SHORT CHIP 0 | |
| C107 | 1-165-908-11 | CERAMIC CHIP 1uF 10% | 10V | R115 | 1-216-825-11 | METAL CHIP 2.2K 5% | 1/10W |
| C108 | 1-164-360-11 | CERAMIC CHIP 0.1uF | 16V | R116 | 1-216-825-11 | METAL CHIP 2.2K 5% | 1/10W |
| C109 | 1-164-360-11 | CERAMIC CHIP 0.1uF | 16V | R118 | 1-216-864-11 | SHORT CHIP 0 | |
| C110 | 1-164-360-11 | CERAMIC CHIP 0.1uF | 16V | R120 | 1-216-864-11 | SHORT CHIP 0 | |
| C111 | 1-164-360-11 | CERAMIC CHIP 0.1uF | 16V | R121 | 1-216-864-11 | SHORT CHIP 0 | |
| C112 | 1-164-360-11 | CERAMIC CHIP 0.1uF | 16V | R123 | 1-216-834-11 | METAL CHIP 12K 5% | 1/10W |
| C113 | 1-162-911-11 | CERAMIC CHIP 6PF 0.5PF | 50V | R124 | 1-216-857-11 | METAL CHIP 1M 5% | 1/10W |
| C114 | 1-162-911-11 | CERAMIC CHIP 6PF 0.5PF | 50V | R125 | 1-216-809-11 | METAL CHIP 100 5% | 1/10W |
| C116 | 1-164-360-11 | CERAMIC CHIP 0.1uF | 16V | R126 | 1-216-809-11 | METAL CHIP 100 5% | 1/10W |
| C117 | 1-164-360-11 | CERAMIC CHIP 0.1uF | 16V | R127 | 1-216-809-11 | METAL CHIP 100 5% | 1/10W |
| C118 | 1-164-360-11 | CERAMIC CHIP 0.1uF | 16V | R128 | 1-216-864-11 | SHORT CHIP 0 | |
| C121 | 1-107-826-11 | CERAMIC CHIP 0.1uF 10% | 16V | R129 | 1-216-864-11 | SHORT CHIP 0 | |
| C123 | 1-137-710-91 | CERAMIC CHIP 10uF 20% | 6.3V | R132 | 1-216-845-11 | METAL CHIP 100K 5% | 1/10W |
| C124 | 1-107-826-11 | CERAMIC CHIP 0.1uF 10% | 16V | R133 | 1-216-833-11 | METAL CHIP 10K 5% | 1/10W |
| C125 | 1-107-826-11 | CERAMIC CHIP 0.1uF 10% | 16V | R134 | 1-216-845-11 | METAL CHIP 100K 5% | 1/10W |
| C127 | 1-107-826-11 | CERAMIC CHIP 0.1uF 10% | 16V | R135 | 1-216-295-91 | SHORT CHIP 0 | |
| C128 | 1-164-360-11 | CERAMIC CHIP 0.1uF | 16V | R136 | 1-217-905-11 | RES-CHIP 1.5 5% | 1/10W |
| C130 | 1-107-826-11 | CERAMIC CHIP 0.1uF 10% | 16V | R137 | 1-216-817-11 | METAL CHIP 470 5% | 1/10W |
| C135 | 1-162-964-11 | CERAMIC CHIP 0.001uF 10% | 50V | R138 | 1-216-857-11 | METAL CHIP 1M 5% | 1/10W |
| C136 | 1-162-910-11 | CERAMIC CHIP 5PF 0.25PF | 50V | R139 | 1-216-809-11 | METAL CHIP 100 5% | 1/10W |
| | | | | R140 | 1-216-809-11 | METAL CHIP 100 5% | 1/10W |

HCD-EH25/EH26

Ver. 1.3

USB

| Ref. No. | Part No. | Description | Quantity | Percentage | Remark |
|----------|--------------|-------------|----------|------------|--------|
| R141 | 1-216-809-11 | METAL CHIP | 100 | 5% | 1/10W |
| R142 | 1-216-809-11 | METAL CHIP | 100 | 5% | 1/10W |

< VIBRATOR >

| | | | | | |
|------|--------------|--------------------------------|--|--|--|
| X101 | 1-767-408-21 | VIBRATOR, CRYSTAL (16.9344MHz) | | | |
|------|--------------|--------------------------------|--|--|--|

MISCELLANEOUS

| | | | | | |
|---------|--------------|--|--|--|--|
| △ 4 | 1-769-079-51 | CORD, POWER (KR) | | | |
| △ 4 | 1-775-790-81 | CORD, POWER (AUS) | | | |
| △ 4 | 1-834-966-31 | CORD, POWER (AEP, RU, UK, SP) | | | |
| 10 | 1-500-868-11 | CORE, FERRITE | | | |
| 71 | A-1313-349-A | MF-EH10 (TAPE MECHANISM DECK) | | | |
| 102 | 1-452-899-11 | MAGNET | | | |
| △ 151 | 8-820-126-02 | OPTICAL PICK-UP BLOCK (KSM-213CDP/C2NP) (Including spindle motor (M401), sled motor (M402)) | | | |
| 152 | 1-834-268-21 | WIRE (FLAT TYPE) (16 CORE) | | | |
| △ F001 | 1-532-275-33 | FUSE (T160mAL/250V) (AEP, RU, UK, AUS, KR) | | | |
| △ F001 | 1-532-467-33 | FUSE (T315mAL/250V) (SP) | | | |
| FFC001 | 1-832-796-21 | CABLE, FLEXIBLE FLAT (5 CORE) (EH25: RU, AUS, SP, KR) | | | |
| FFC001 | 1-832-806-21 | CABLE, FLEXIBLE FLAT (7 CORE) (EH25: AEP, UK/EH26) | | | |
| FFC002 | 1-831-952-21 | CABLE, FLEXIBLE FLAT (19 CORE) | | | |
| FFC003 | 1-832-748-21 | CABLE, FLEXIBLE FLAT (21 CORE) | | | |
| FFC004 | 1-832-706-21 | CABLE, FLEXIBLE FLAT (13 CORE) | | | |
| △ PT005 | 1-445-421-11 | TRANSFORMER, POWER (KR) | | | |
| △ PT005 | 1-445-423-11 | TRANSFORMER, POWER (AUS, SP) | | | |
| △ PT005 | 1-445-506-11 | TRANSFORMER, POWER (AEP, RU, UK) | | | |
| S201 | 1-771-853-11 | SWITCH, DETECTION (LIMIT) | | | |
| SW750 | 1-692-960-11 | SWITCH, PUSH (1 KEY) (CD LID OPEN/CLOSE DETECT) | | | |

ACCESSORIES

| | | | | | |
|---|--------------|----------------------------------|--|--|--|
| △ | 1-569-008-33 | ADAPTOR, CONVERSION (SP) | | | |
| △ | 1-770-019-71 | ADAPTOR, CONVERSION PLUG 3P (UK) | | | |

