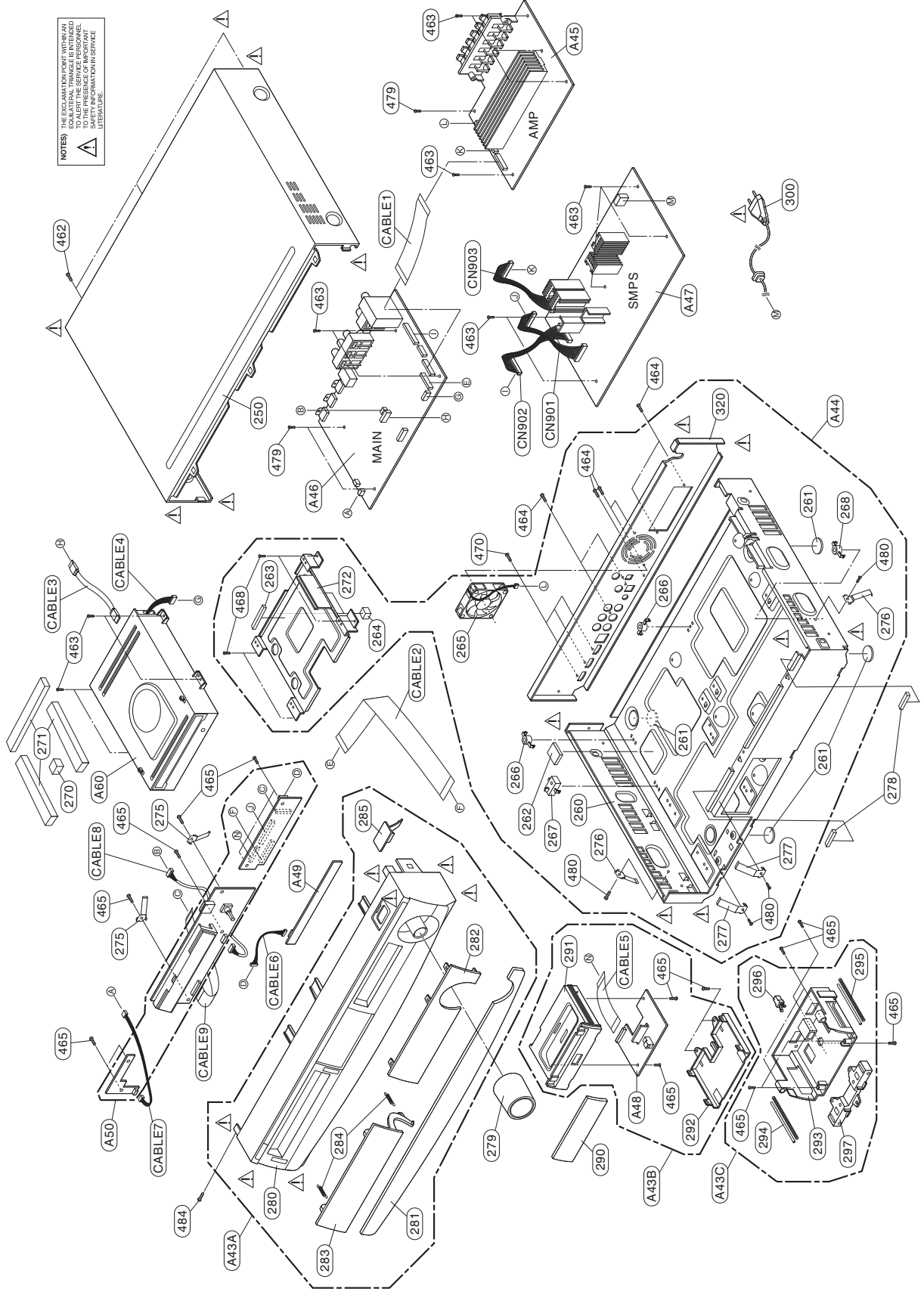


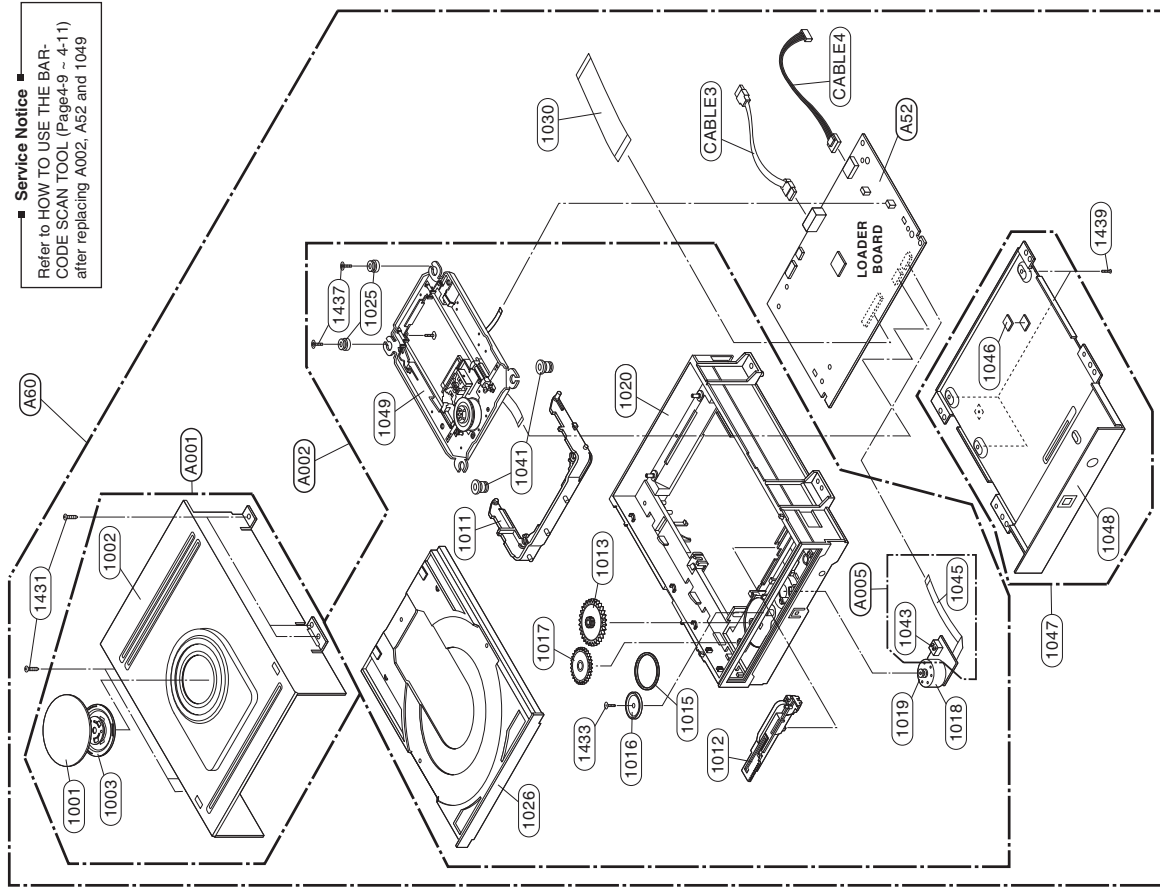
EXPLODED VIEWS

1. CABINET AND MAIN FRAME SECTION

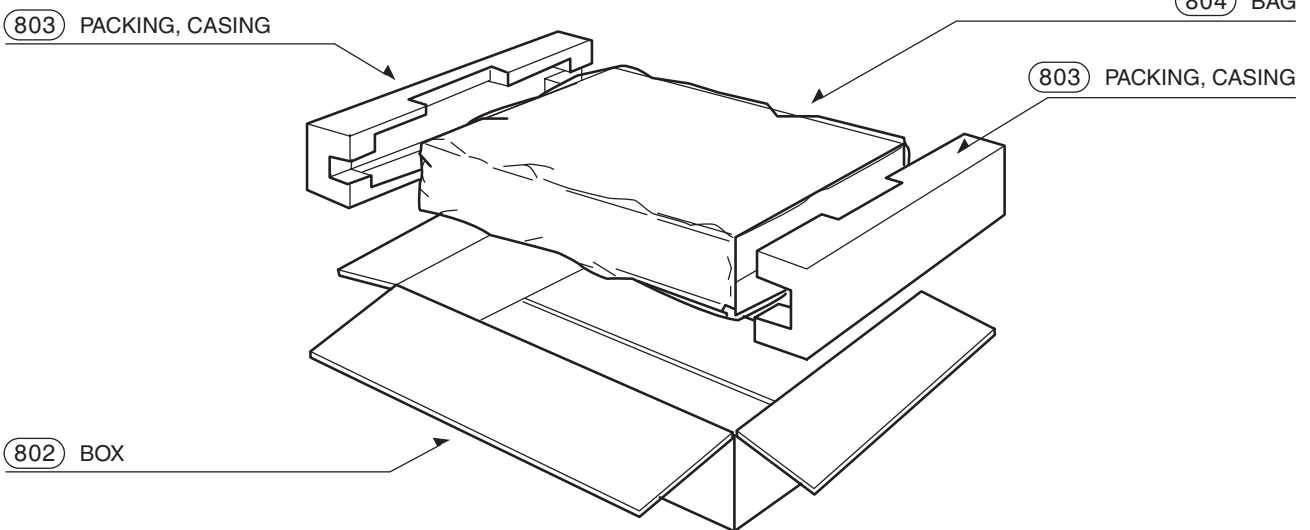
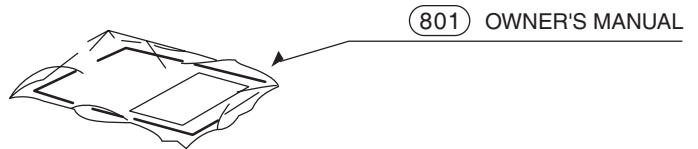
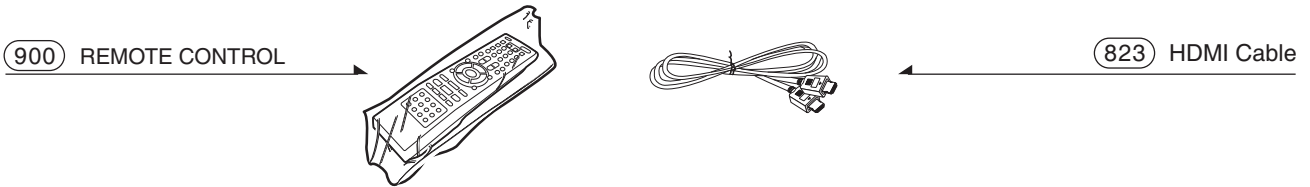
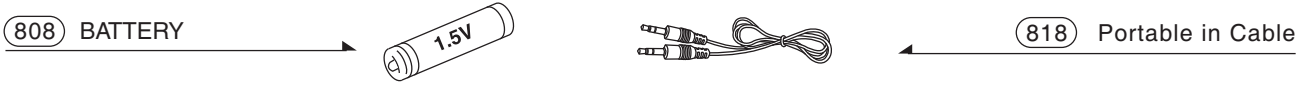


(NOTES) THE EXPLODED VIEW IS INTENDED TO ALERT THE SERVICE PERSONNEL TO SAFETY INFORMATION IN SERVICE LITERATURE.

2. DECK MECHANISM SECTION (HL-04P)

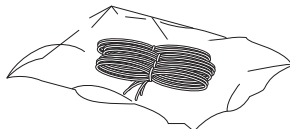


3. PACKING ACCESSORY SECTION

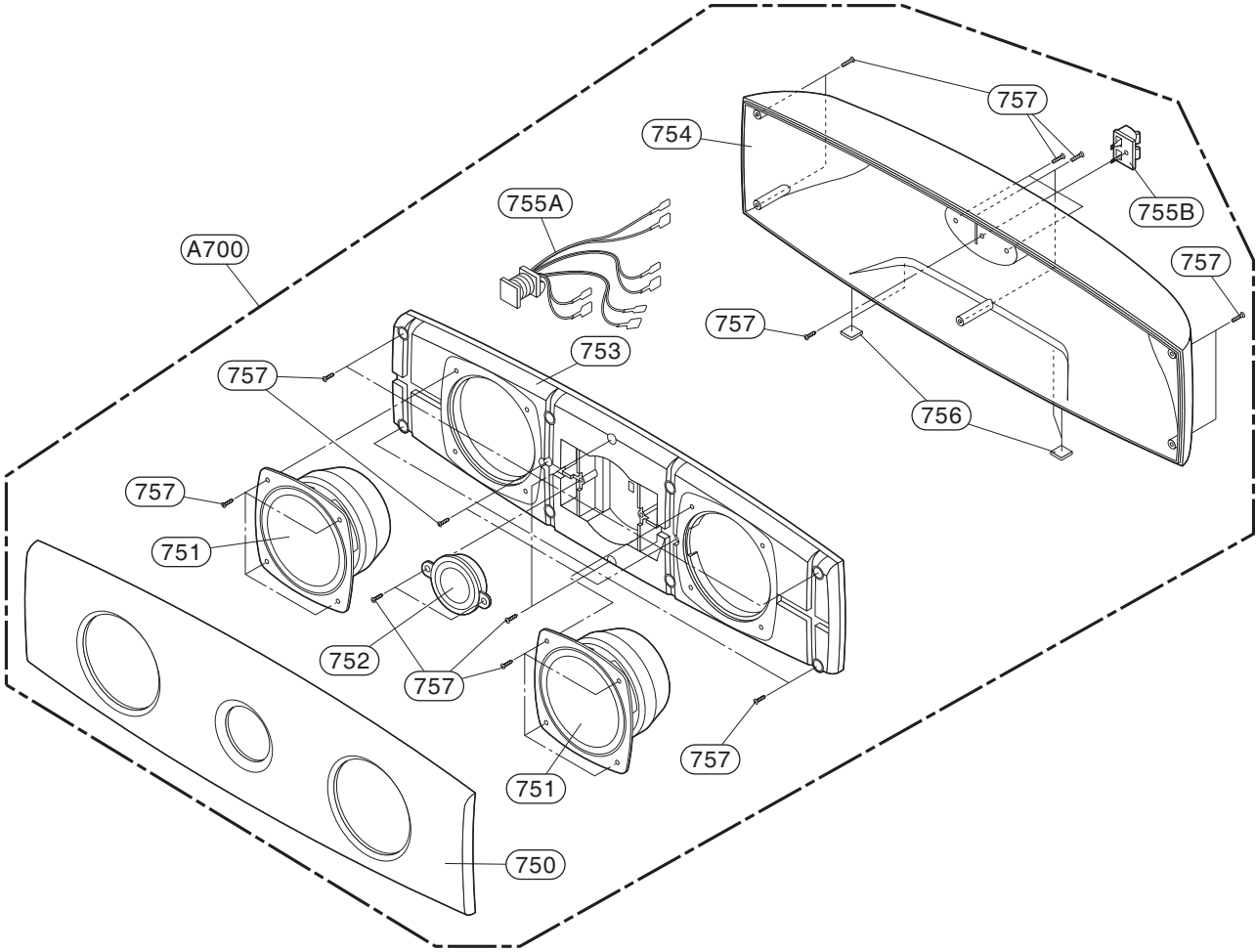


SPEAKER CABLE

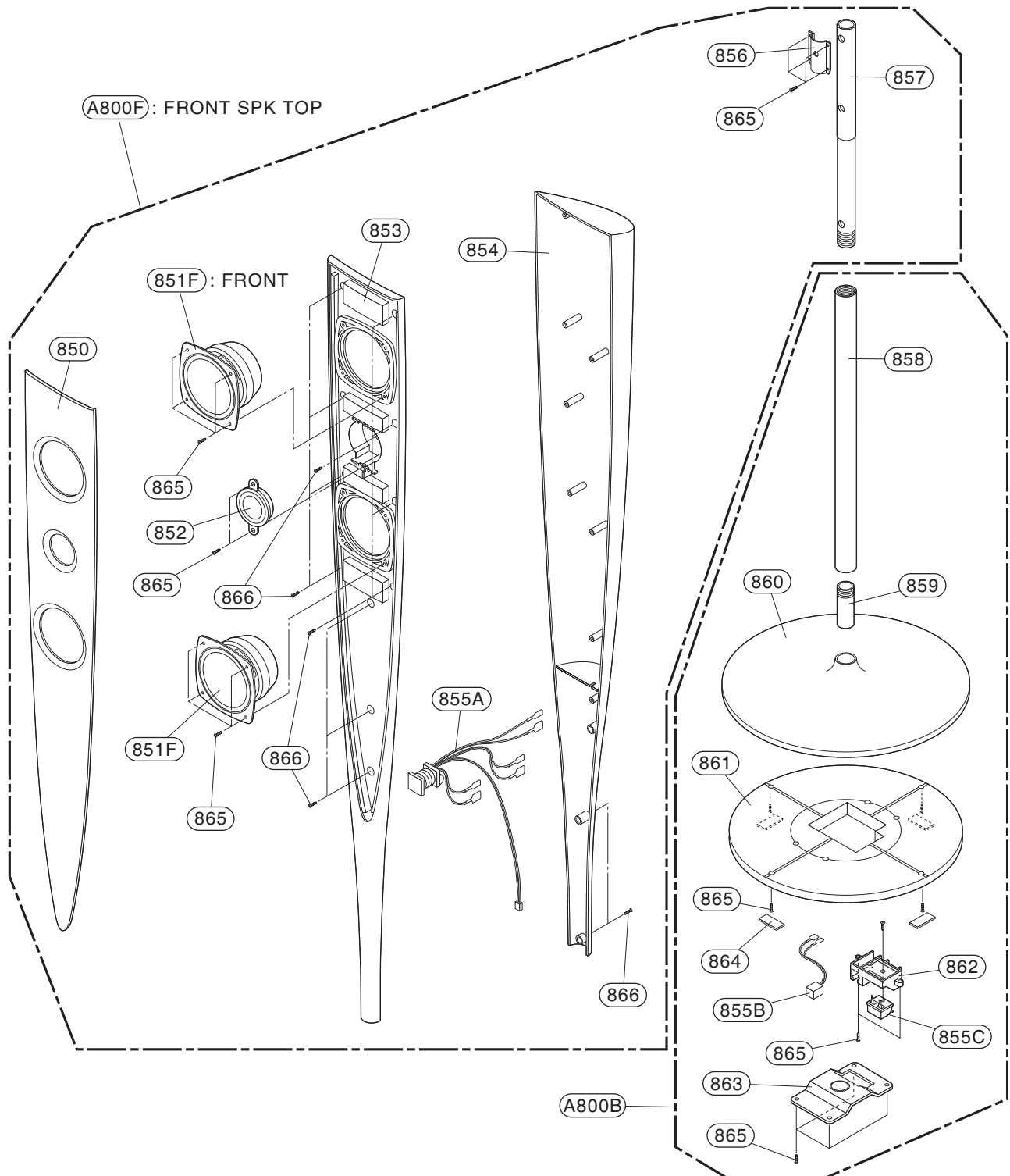
- WIRE80 Front Left 3M
- WIRE81 Front Right 3M
- WIRE70 Center 3M
- WIRE90 Subwoofer 3M



4. SPEAKER SECTION
4-1. CENTER SPEAKER (SB74CB-C)



4-2. FRONT SPEAKER (SB74CB-F)



4-3. PASSIVE SUBWOOFER (SH74CB-W)

