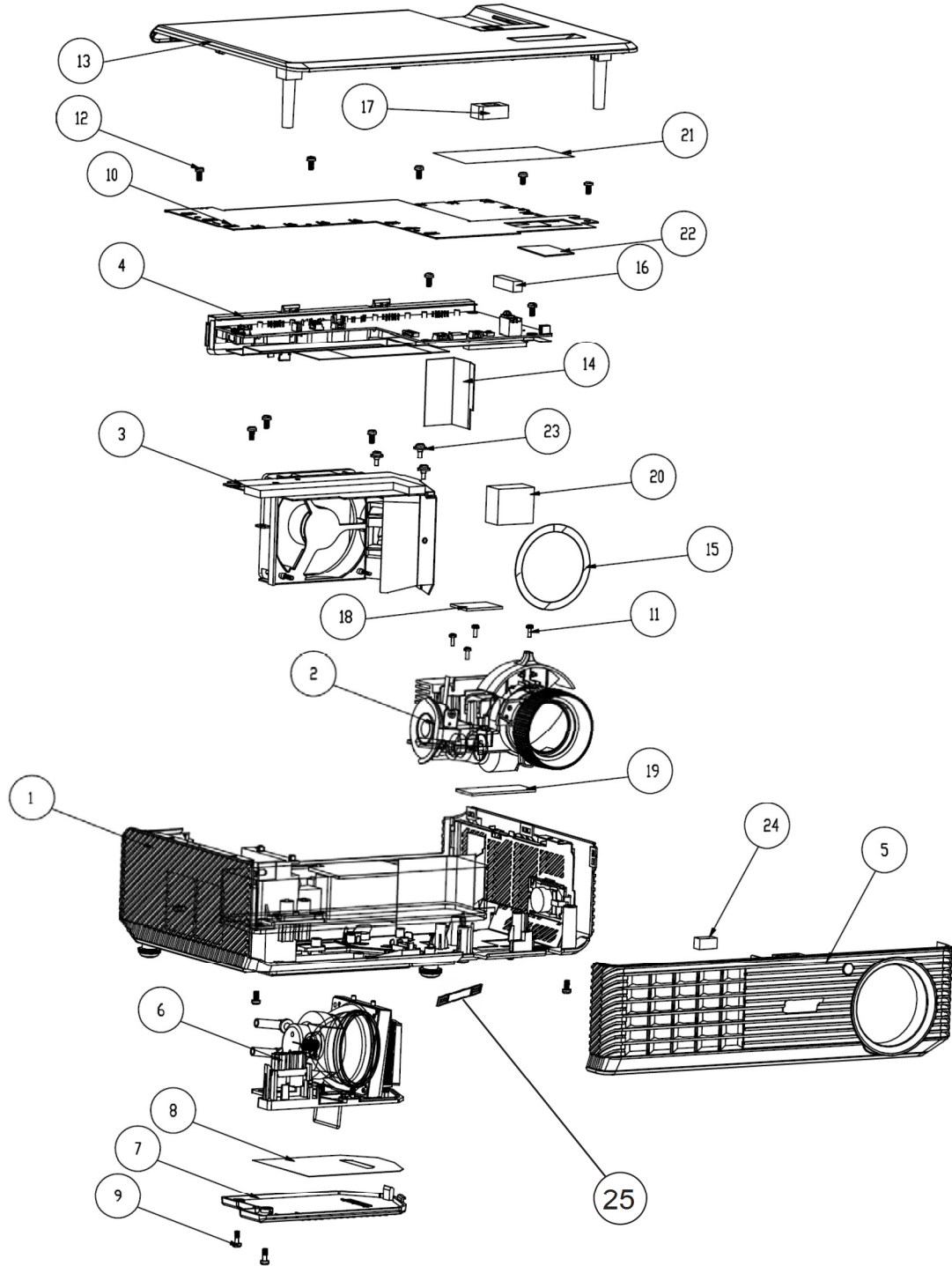


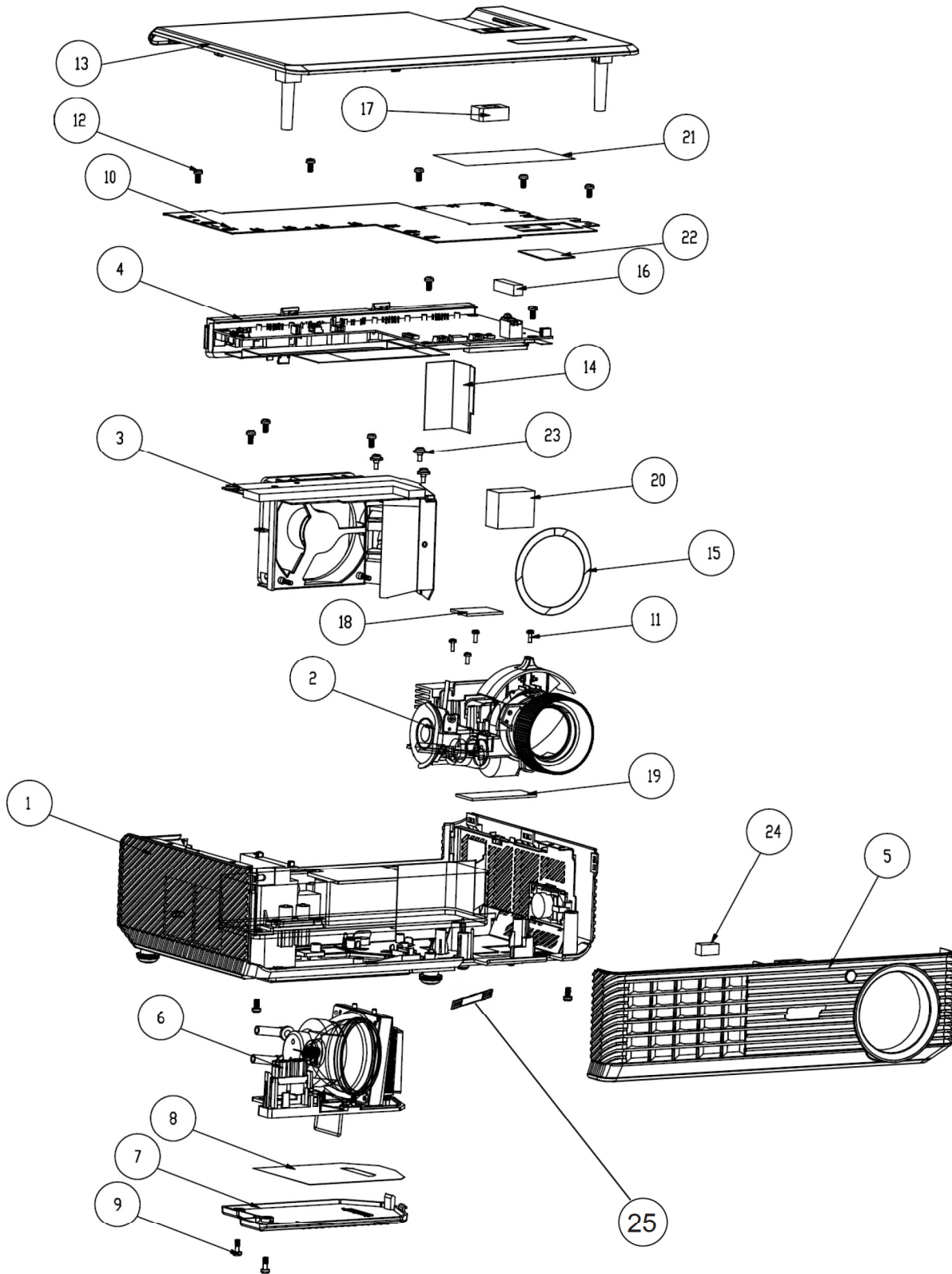
Appendix A (Exploded Image)

Note: This chapter is only designed to show the exploded image of the projector. For updated part numbers, please refer to RSPL report.

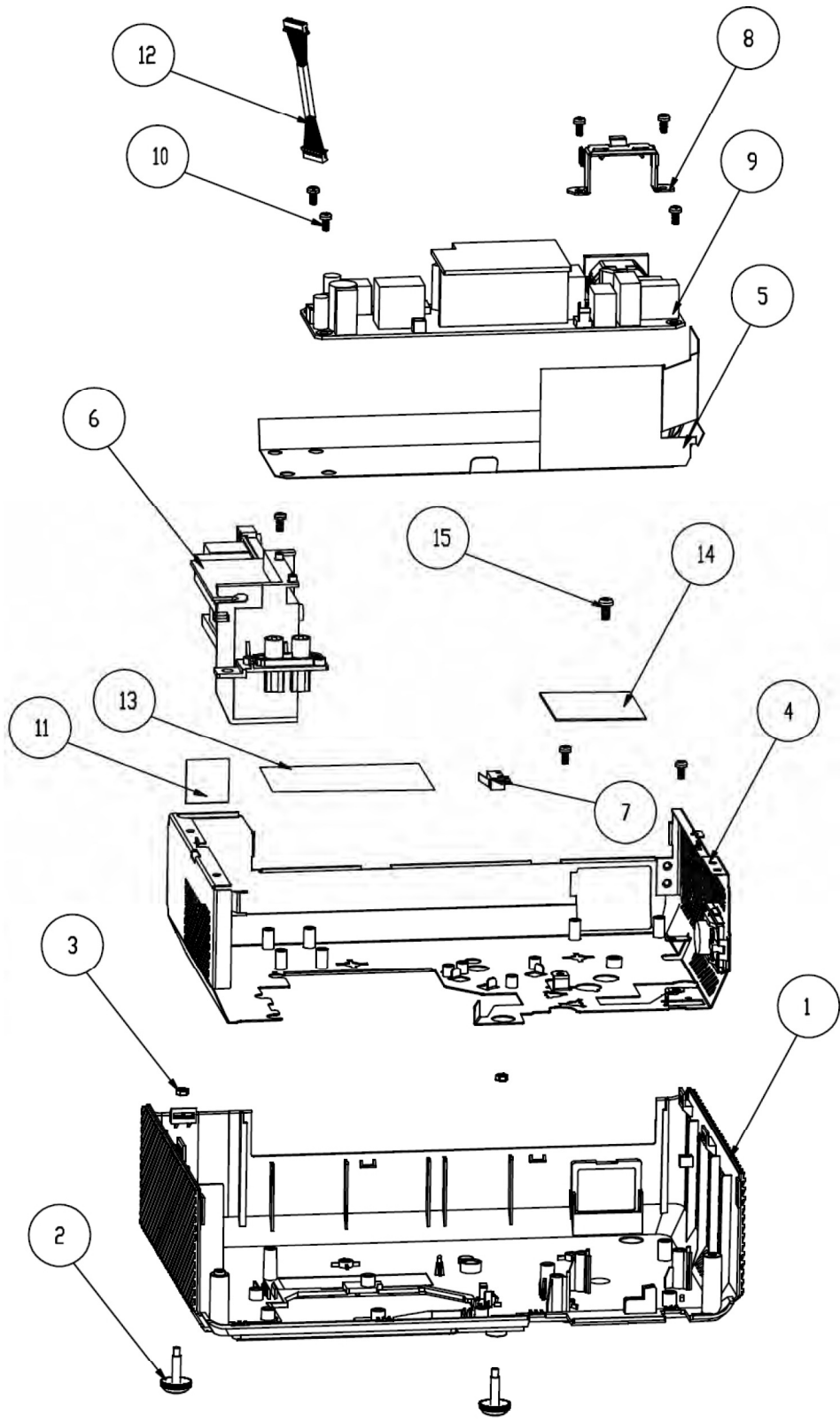
D.C. X1161



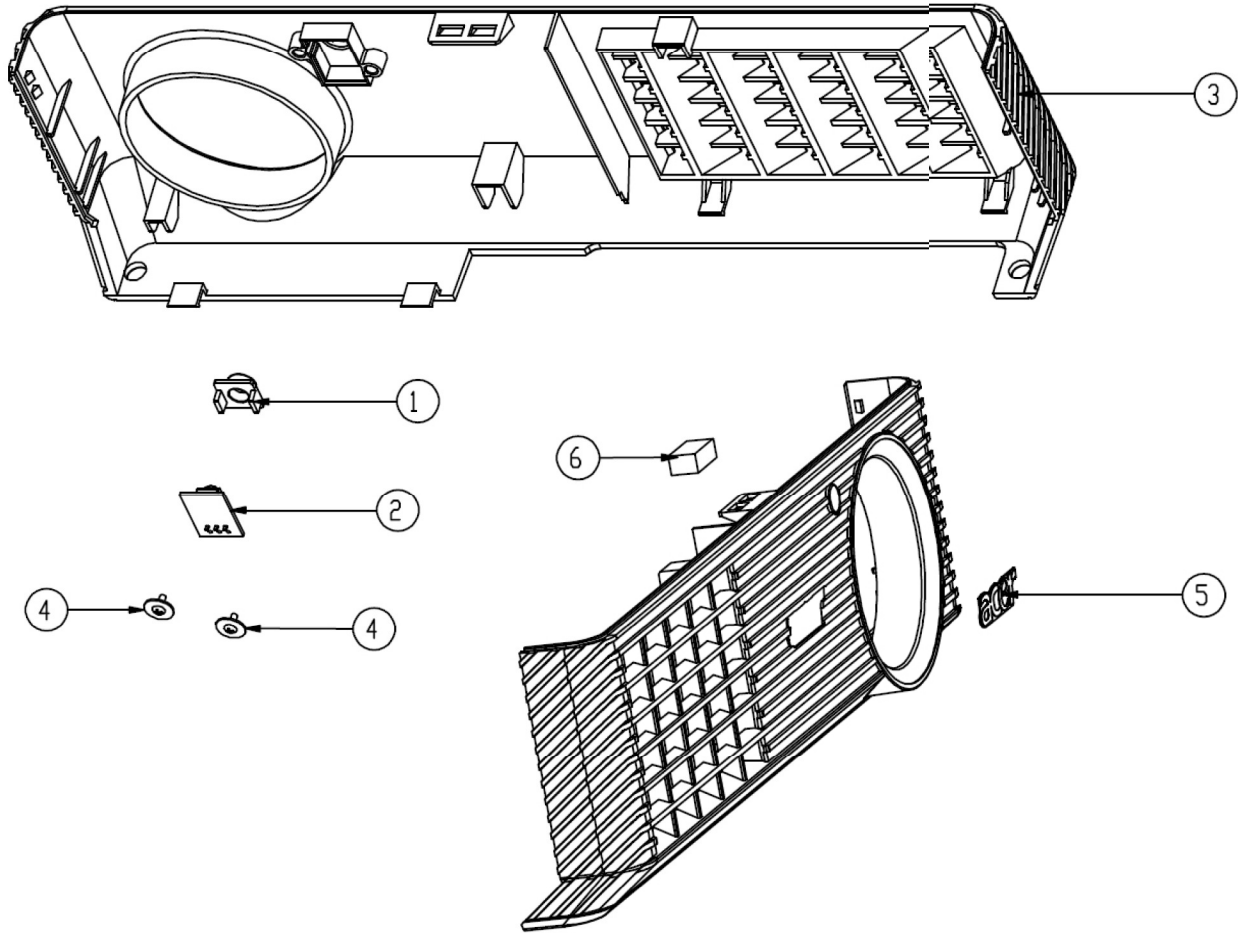
D.C. X1261



I.D. X1161

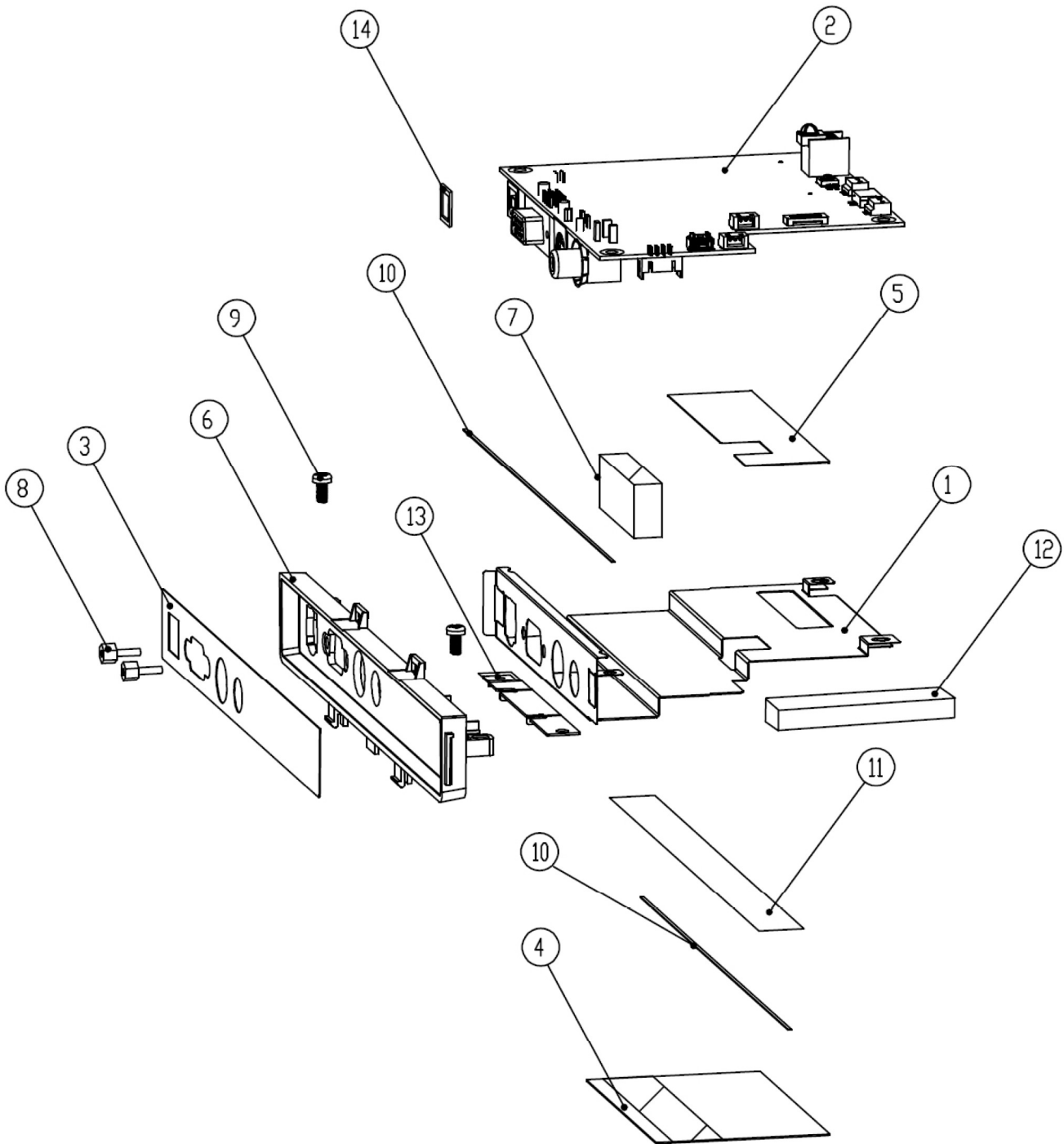


Front Module

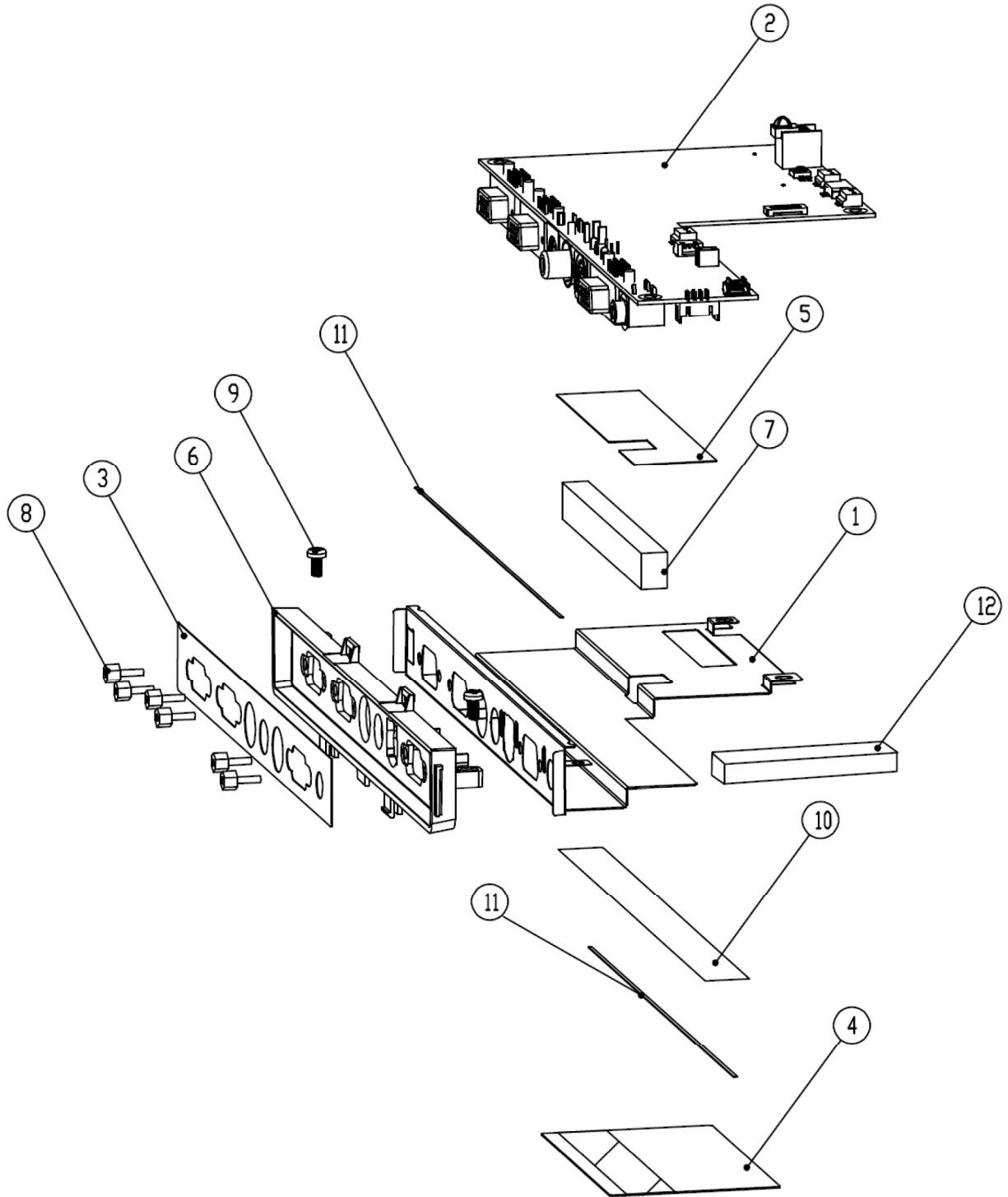


Item	P/N	Description	Parts Supply
1	51.88T24G001	FRONT IR CAP FOR X1160E	
2	80.8CP05G001	PCBA IR SENSOR BD FOR X1161	V
3	51.8CP09H001	FRONT COVER MN3600H X1161	V
4	85.3A122G040	SCREW CAP MECH M2*4 Ni	
5	61.8CP14H001	ACER LOGO FOR X1161	V
6	52.8CP09G001	SPONGE LIGHTCUT FR-CW X1161	

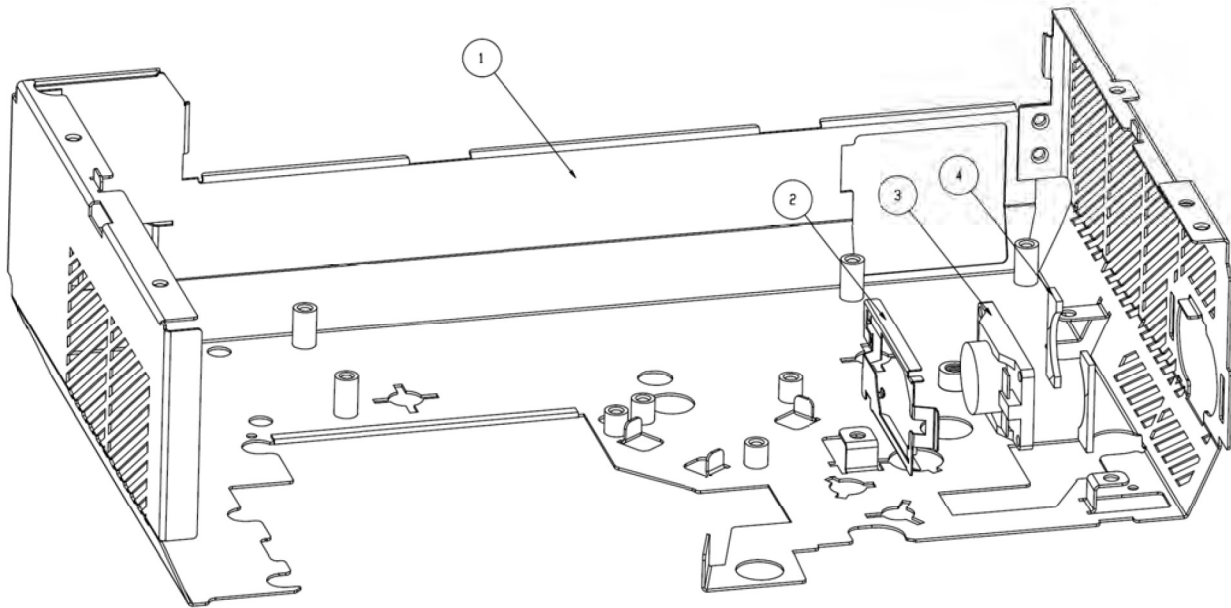
IO MODULE X1161



IO MODULE X1261

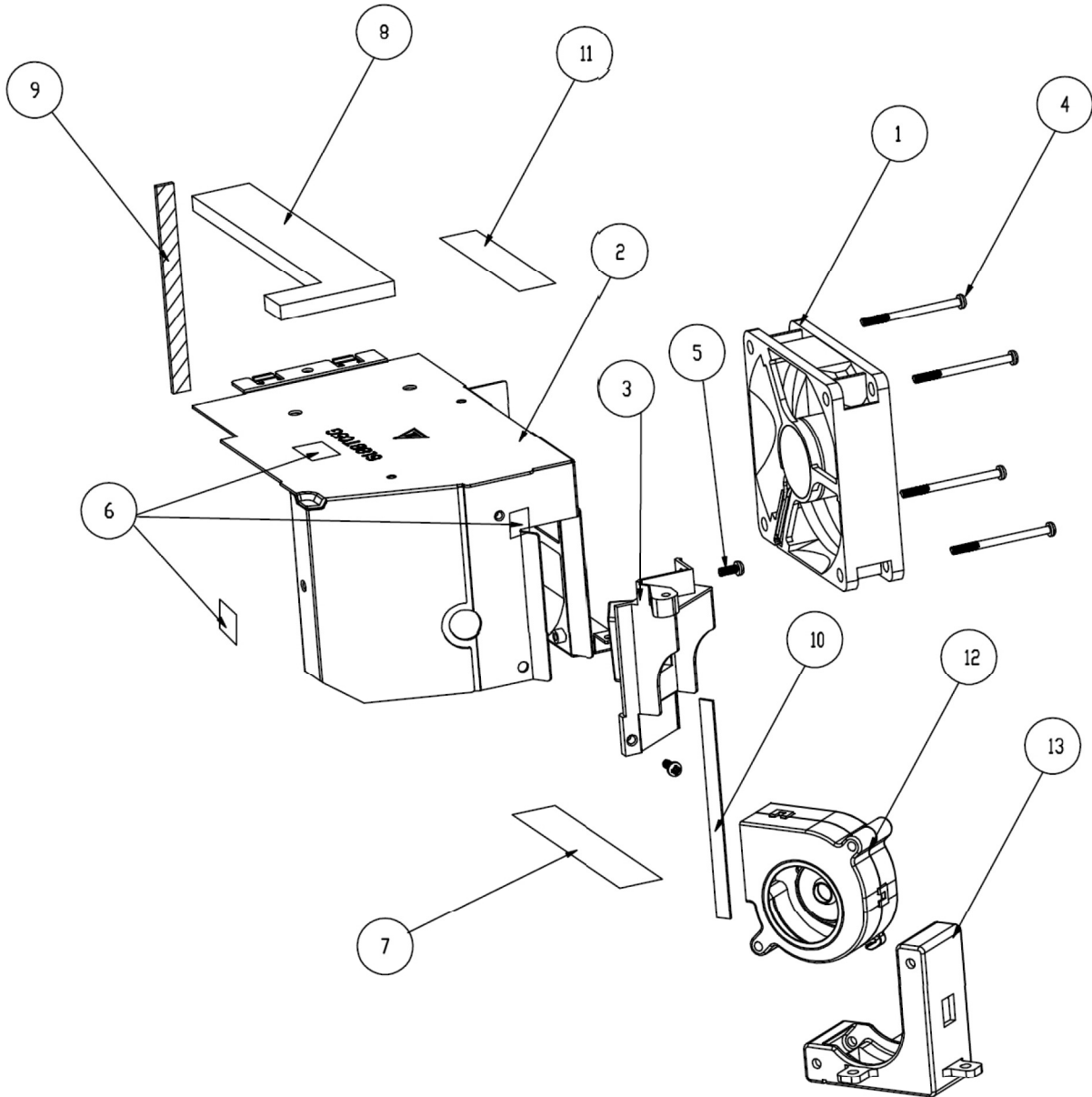


Bottom Shielding Module

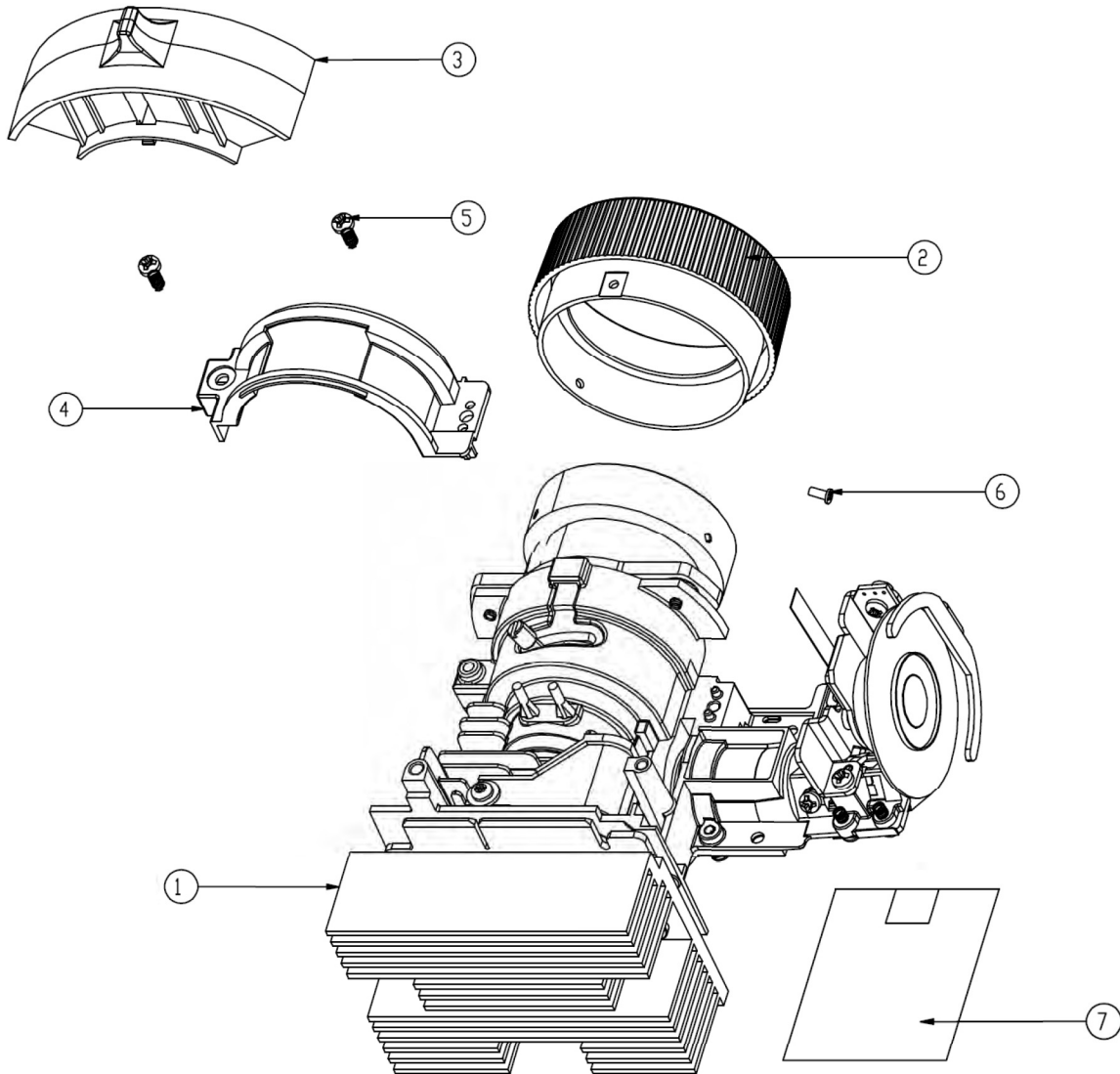


Item	P/N	Description	Parts Supply
1	61.8CP06G001	BOTTOM SHIELDING SECC X1161	
2	61.8CP08G001	SPEAKER BRKT SUS301 X1161	
3	49.8CQ01G001	SPEAKER 2W 16OHM DAB128 90mm X1261	V
4	52.8CP05G001	SPONGE SPEAKER X1161	

One- Fan Module

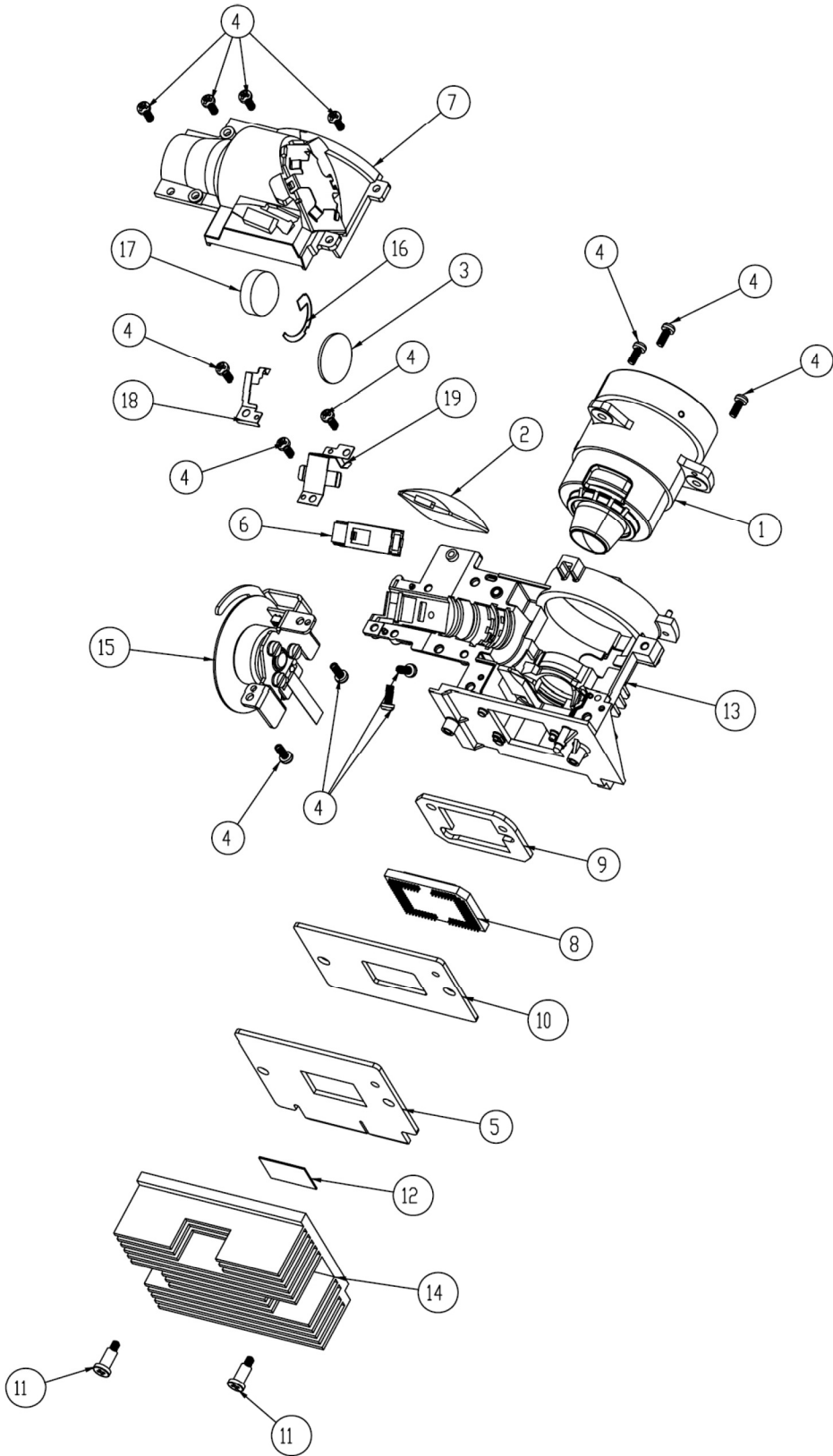


Engine Module

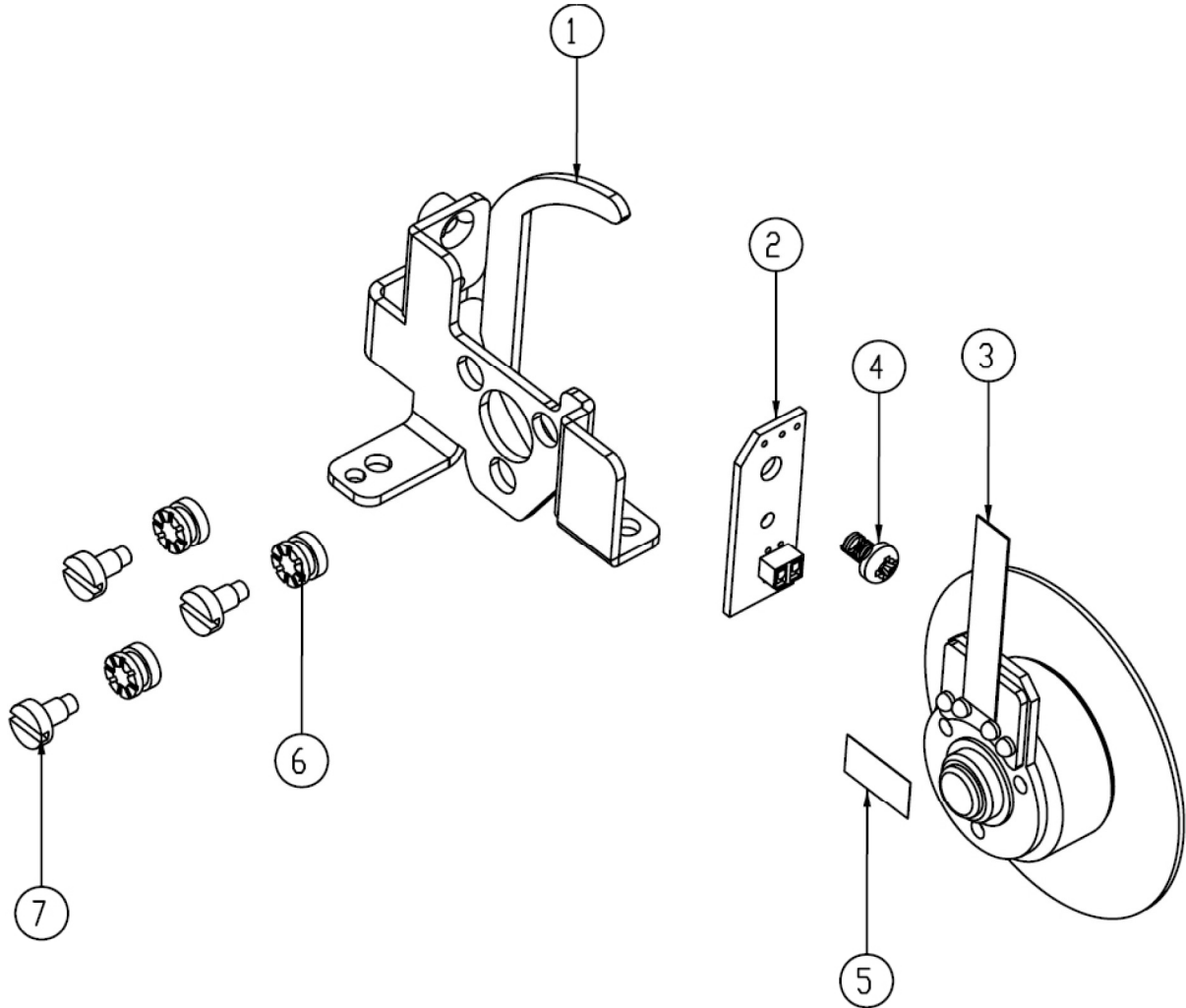


Item	P/N	Description	Parts Supply
1	70.8CP09G001	ASSY OPTICAL ENGINE MODULE Z15 (S450) (for X1161)	
1	70.8CQ02G001	ASSY OPTICAL ENGINE MODULE (for X1261)	
2	51.8CP04H001	FOCUS RING MN3600H X1161	V
3	51.8CP08H001	ZOOM RING MN3600H X1161	V
4	51.89Z04G001	ZOOM RING FIXED HOLDER EX330	
5	85.1A326G060	SCREW PAN HEAD MECH M2.6*6 BLACK	
6	85.WA321G040	SCREW PAN TAP M1.7*4 BLACK	
7	41.89C01G001	EMI TAPE L45*W30	

Assy Engine Module

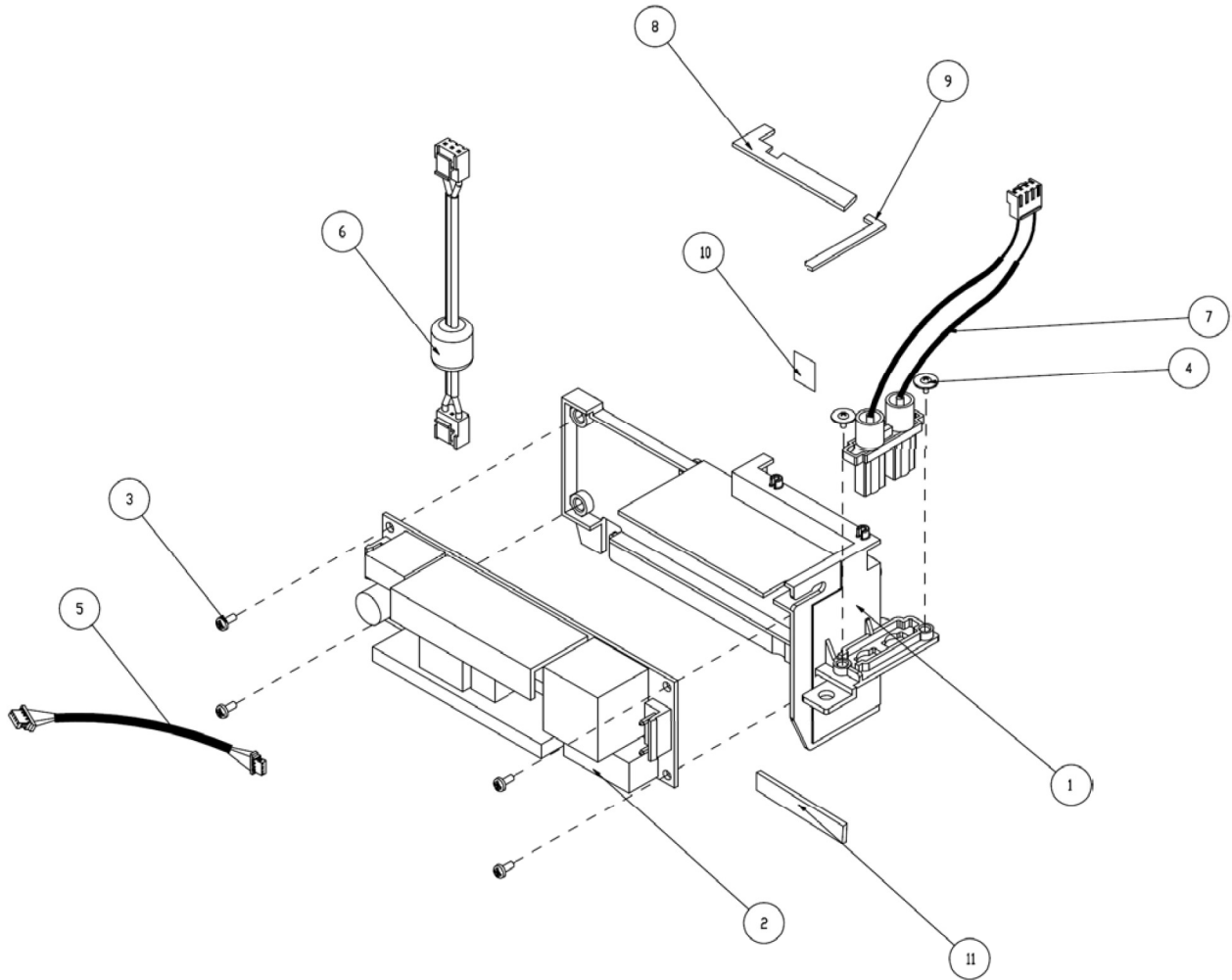


Assy Color Wheel Module Z15



Item	P/N	Description	Parts Supply
1	61.8CP03G001	CW BRACKET SECC X1161	
2	80.8CP04G001	PCBA PHOTO SENSOR BOARD FOR X1161	V
3	23.8EF19G001	YO 6S R81Y41G84C31W52B71_HE3 CW	
4	85.1A126G040	SCREW PAN MECH M2.6*4 Ni	
5	51.82Y29G001	TAPE 3M J350 10*5mm FOR COLOR WHEEL DP715	
	70.8CP21GR01	ASSY COLOR WHEEL MODULE X1161 (SERVICE)	V
6	52.83615G001	COLOR WHEEL DISC RUBBER, EzPro755	
7	61.83628G001	COLOR WHEEL SHOULDER SCREW, EzPro755	

Assy Lamp Driver Module



Item	P/N	Description	Parts Supply
1	51.88T11G003	HOLDER LAMP DRIVER FOR H5350	
2	75.8BA01G002	ASSY OSRAM LAMP DRIVER O6 MIC 180W (Gen5_Panyu+E20.8)	V
3	85.1A123G060	SCREW PAN MECH M3*6 NI	
4	85.3A122G040	SCREW CAP MECH M2*4 Ni	
5	42.00422G001	W.A 5P 150mm LAMP DRIVER TO MB X1160	V
6	42.00447G001	CABLE W.A. 2P #20 180mm LVPS TO LAMP DRIVER FOR X1260K	V
7	42.00436G002	CABLE W.A. 2P #22 100mm LAMP DRIVER TO LAMP X1160	
8	52.88T02G001	LAMP DRIVER HOLDER AIR TIGHT F12 X1160	
9	52.88T03G001	LAMP DRIVER HOLDER AIR TIGHT-FR F12 X1160	
10	51.88T18G001	KAPTON 10*10 0.05t X1160	
11	52.86K01G001	LAMP SPONGE F12 35X5X3.2mm EP709	

A.K.

