

# PARTS LIST

## SAFETY PRECAUTION

Parts identified by the  $\triangle$  symbol are critical for safety. Replace only with specified part numbers.

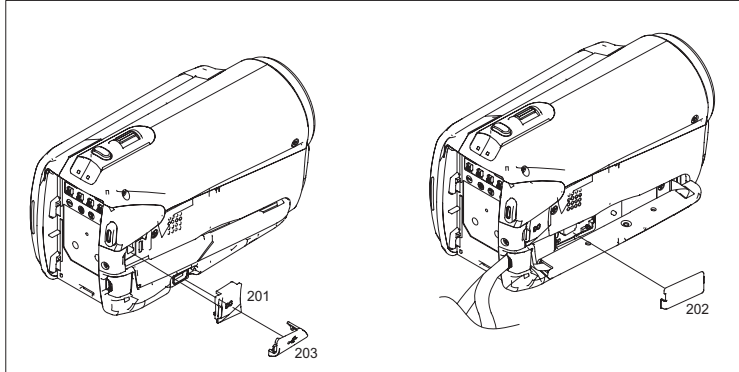
## BEWARE OF BOGUS PARTS

Parts that do not meet specifications may cause trouble in regard to safety and performance. We recommend that genuine JVC parts be used.

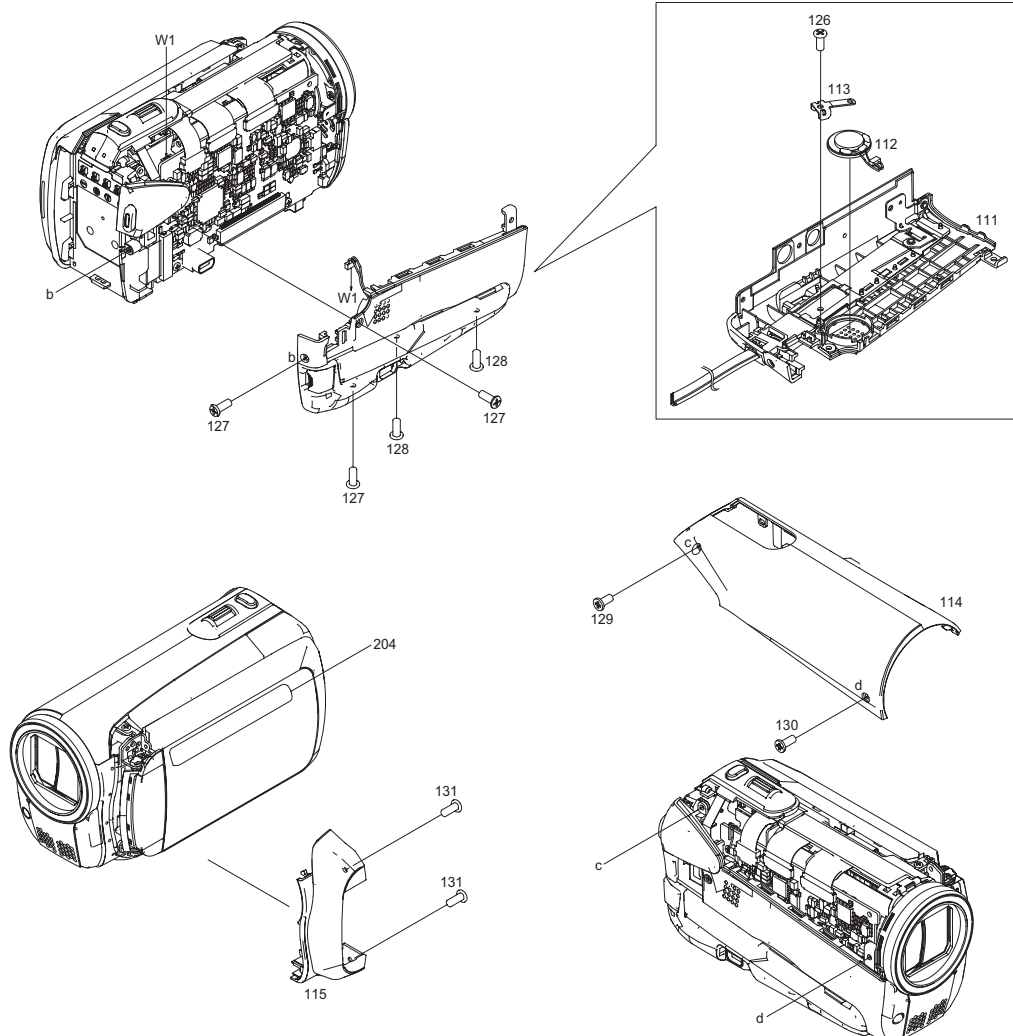
### 1. EXPLODED VIEW

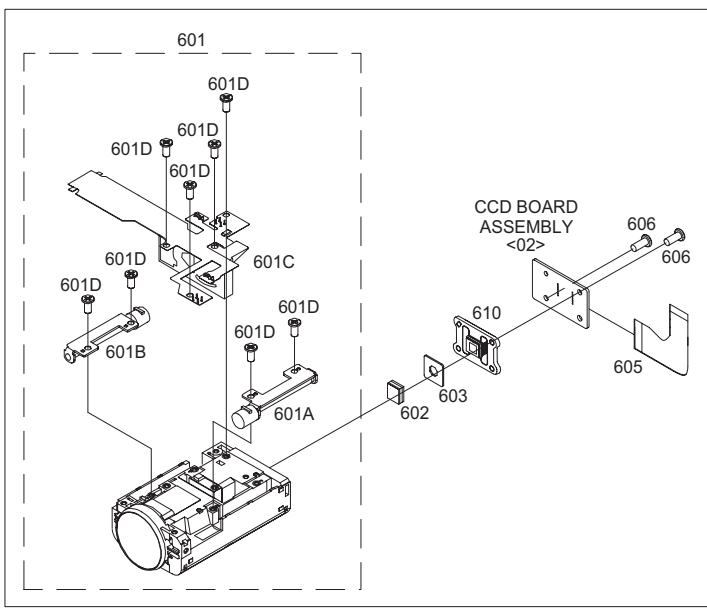
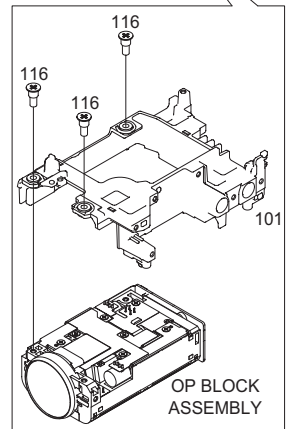
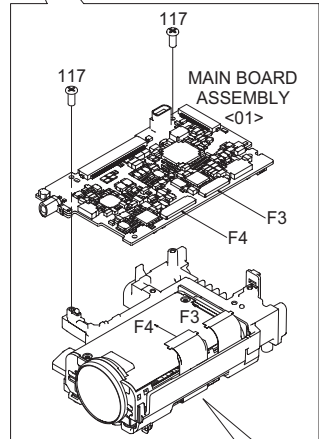
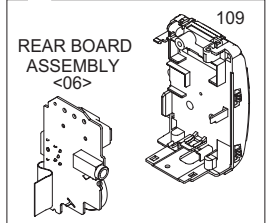
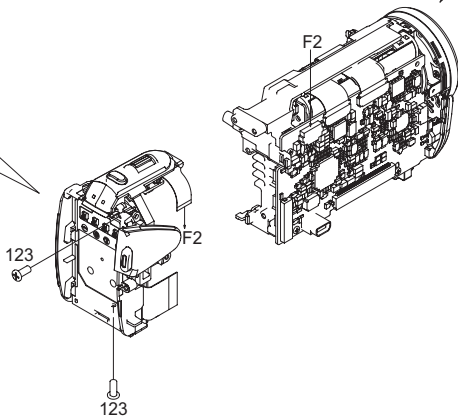
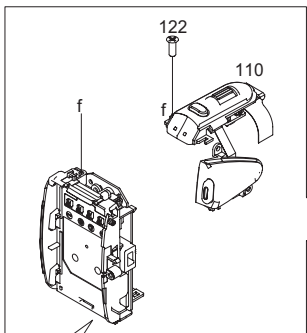
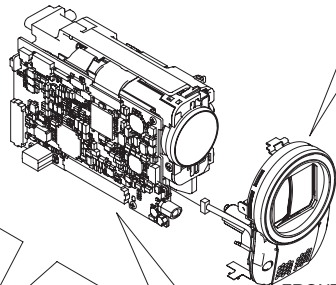
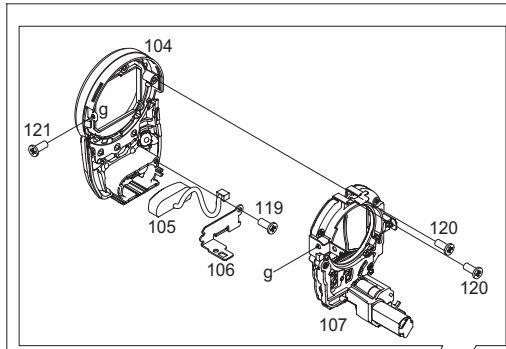
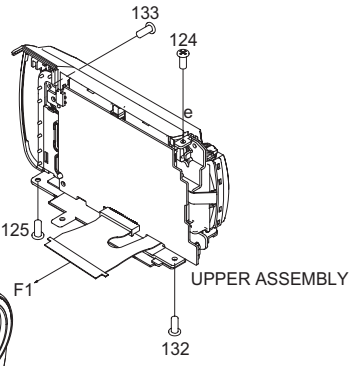
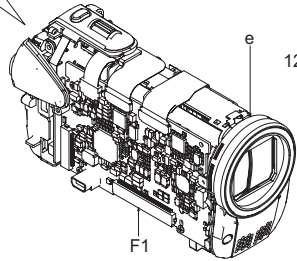
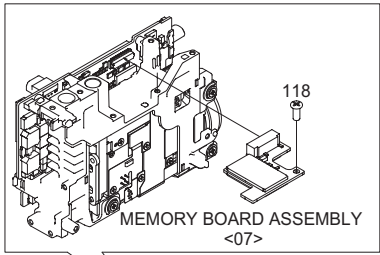
#### 1.1 FINAL ASSEMBLY <M1>

The instruction manual to be provided with this product will differ according to the destination.

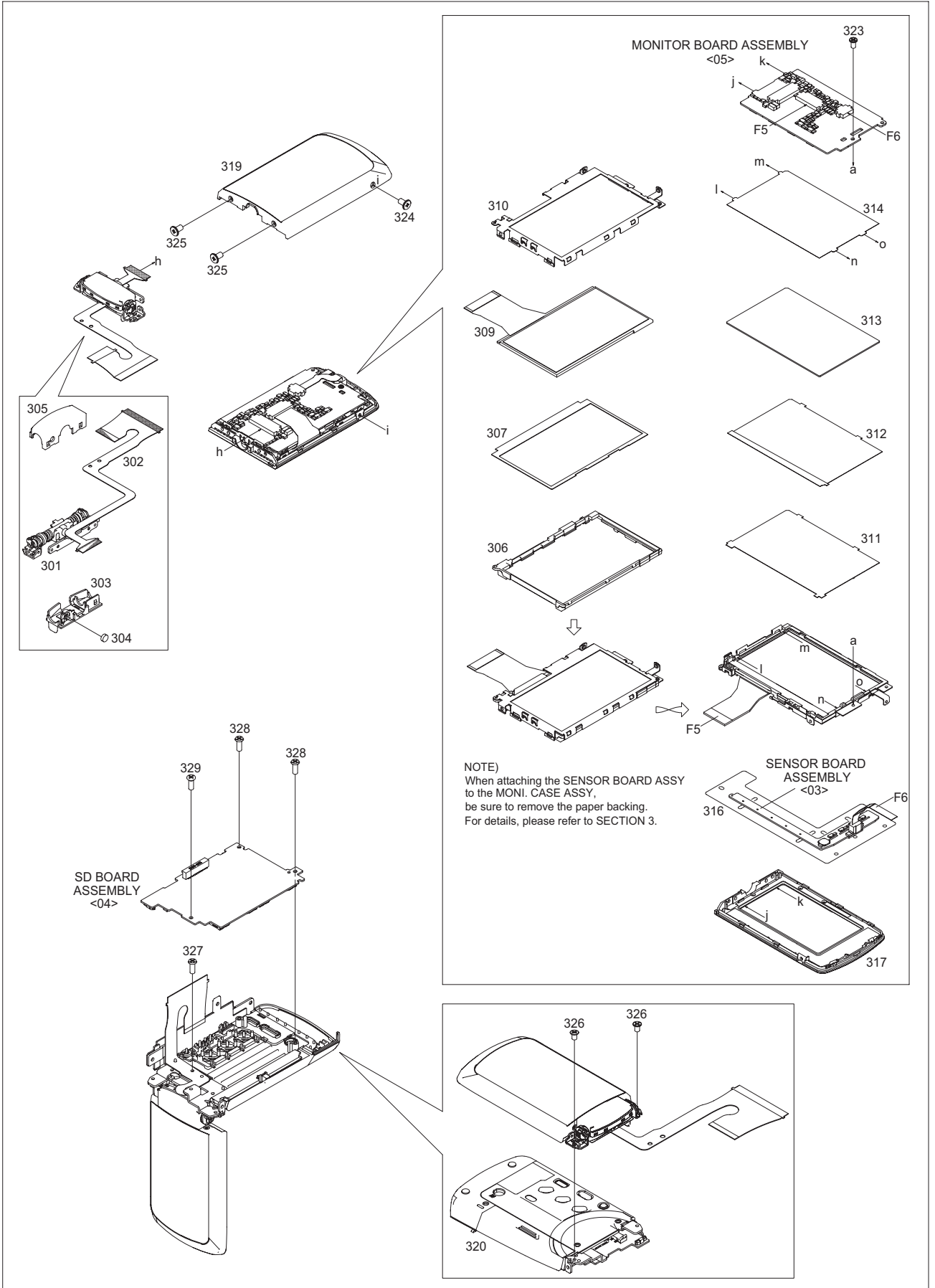


MODEL	MARK
GZ-MS124SEU	A
GZ-MS125AEU	B
GZ-MS125BER	C
GZ-MS125BEU	D
GZ-MS125BEZ	E
GZ-MS125SEU	F
GZ-MS130BEK	G
GZ-MS130BER	H
GZ-MS130BEU	J
GZ-MS130BEZ	K

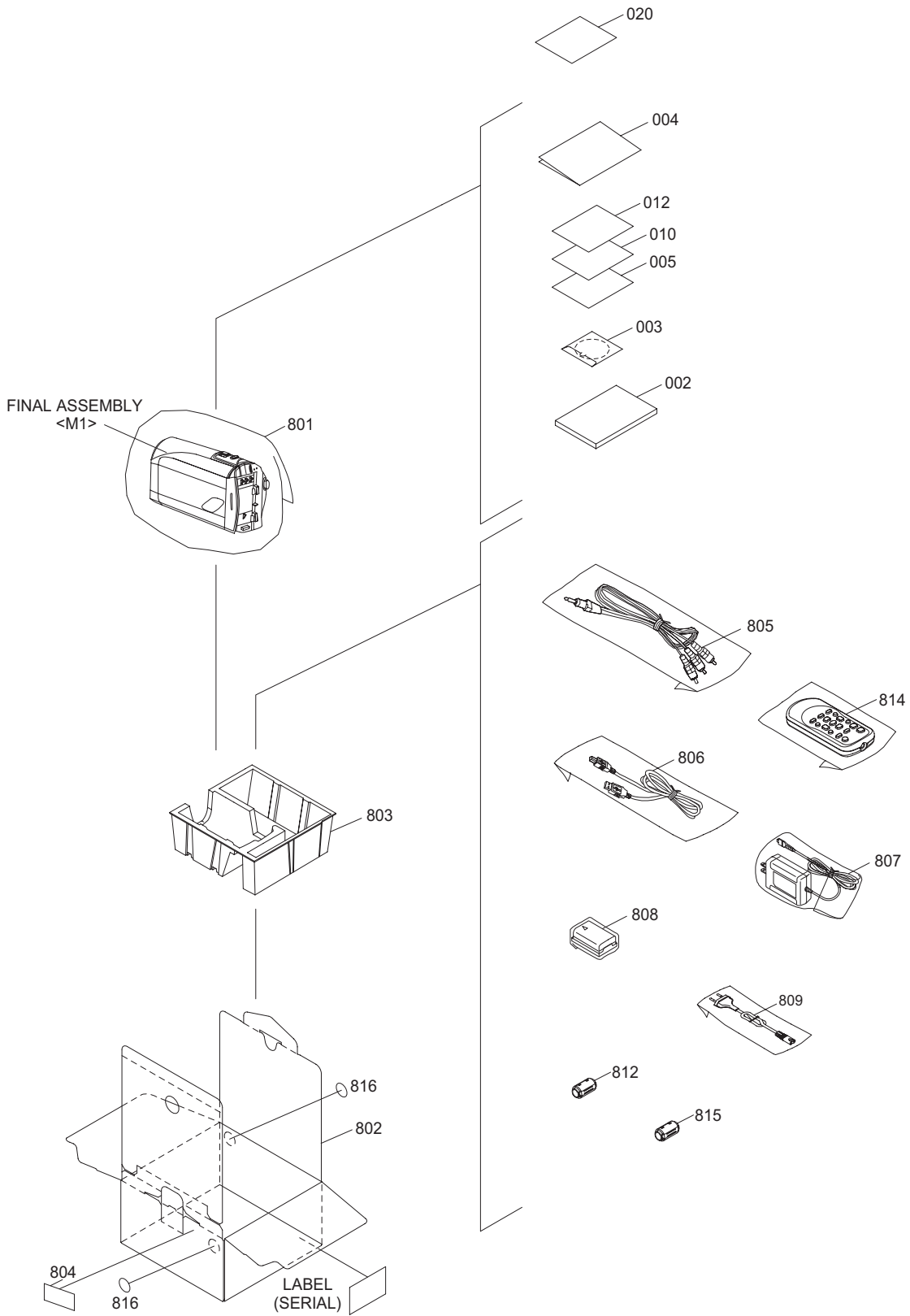




UPPER ASSEMBLY



## 1.2 PACKING AND ACCESSORY ASSEMBLY <M5>



MODEL	MARK	MODEL	MARK	MODEL	MARK	MODEL	MARK
GZ-MS124SEU	A	GZ-MS125BEU	D	GZ-MS130BEK	G	GZ-MS130BEZ	K
GZ-MS125AEU	B	GZ-MS125BEZ	E	GZ-MS130BER	H		
GZ-MS125BER	C	GZ-MS125SEU	F	GZ-MS130BEU	J		

## 2. PARTS LIST

### FINAL ASSEMBLY <M1>

△ Symbol No.	Part No.	Part Name	Description	Local
101	LY36705-001D	FRAME ASSY		
104	LY36707-001C	F.COVER ASSY		
105	LY36687-001A	MIC		
106	LY36694-001A	PLATE(MIC)		
107	LY21958-001Q	BARRIER UNIT		
109	LY36706-002D	REAR COVER ASSY		A, F
109	LY36706-001D	REAR COVER ASSY		B,C,D,E,G,H,J,K
110	LY21989-002C	ZOOM UNIT		A, F
110	LY21989-003C	ZOOM UNIT		B
110	LY21989-001C	ZOOM UNIT		C,D,E,G,H,J,K
111	LY36708-002H	LOWER CASE ASSY		A, F
111	LY36708-004H	LOWER CASE ASSY		B
111	LY36708-001H	LOWER CASE ASSY		C,D,E,G,H,J,K
112	QAS0543-001	SPEAKER		
113	LY36695-001A	BKT(SPEAKER)		
114	LY21985-003E	TOP COVER		A, F
114	LY21985-006E	TOP COVER		B
114	LY21985-004E	TOP COVER		C,D,E,G,H,J,K
115	LY36709-002C	U.ORNMT(F) ASSY		A, F
115	LY36709-003C	U.ORNMT(F) ASSY		B
115	LY36709-001C	U.ORNMT(F) ASSY		C,D,E,G,H,J,K
116	LY30032-021A	SPECIAL SCREW	OP-FRM(x3)	
117	LY30031-0D5A	SPECIAL SCREW	MPWB-FRM(x2)	
118	LY30032-001A	SPECIAL SCREW	MEMPWB-FRM	G,H,J,K
119	LY30031-0L8B	SPECIAL SCREW	PMIC-FRONT	
120	LY30031-0L8B	SPECIAL SCREW	BRR-HDCSW(x2)	
121	LY30031-0D4A	SPECIAL SCREW	CMIC-BRR	
122	LY30031-0L8B	SPECIAL SCREW	ZOOM-REAR	
123	LY30031-0D5A	SPECIAL SCREW	REAR-FRM(x2)	
124	LY30031-0D4A	SPECIAL SCREW	BHINGE-FRM	
125	LY30031-0L8B	SPECIAL SCREW	UPPER-REAR	
126	LY30031-0L8B	SPECIAL SCREW	BSPK-LCASE	
127	LY30031-0L8B	SPECIAL SCREW	LCASE-REAR(x3)	
128	LY30031-0D5A	SPECIAL SCREW	LCASE-FRM(x2)	
129	LY30031-008A	SPECIAL SCREW	TOP-REAR	
130	LY30031-0D5A	SPECIAL SCREW	TOP-BARRBS	
131	LY30031-0D4A	SPECIAL SCREW	UOFA-HINGE(x2)	
132	LY30031-0D5A	SPECIAL SCREW	UOFA-FRM	
133	LY30031-0D5A	SPECIAL SCREW	UORA-FRM	
201	LY36720-002C	JACK COVER(DC) ASSY		A, F
201	LY36720-003C	JACK COVER(DC) ASSY		B
201	LY36720-001C	JACK COVER(DC) ASSY		C,D,E,G,H,J,K
△ 202	LY36681-002B	COVER (JIG)		A, F
△ 202	LY36681-001B	COVER (JIG)		B,C,D,E,G,H,J,K
203	LY36679-002B	JACK COVER(USB)		A, F
203	LY36679-001B	JACK COVER(USB)		B,C,D,E,G,H,J,K
204	LY45782-002A	STICKER (A)		A, F
204	LY45782-004A	STICKER (A)		B
204	LY45782-001A	STICKER (A)		C, D, E
204	LY45782-010A	STICKER (A)		G, H, J, K
301	LY36640-001C	HINGE UNIT		
302	QAL1156-001	FPC		
303	LY36685-001B	H.COVER(L)		
304	LY45427-001A	P.C.MAGNET		
305	LY36684-002A	H.COVER(U)		A, F
305	LY36684-003A	H.COVER(U)		B
305	LY36684-001A	H.COVER(U)		C,D,E,G,H,J,K
306	LY21980-001A	LCD CASE		
307	LY36124-001A	SHEET (COVER)		
309	QLD0538-001	LCD MODULE		
310	LY37033-001B	LCD BKT ASSY		
311	LY36703-001A	SHEET (BEF)		
312	LY35480-001A	SHEET(M/DIFF)		
313	LY36668-001A	LIGHT GUIDE		
314	LY35481-001A	SHEET(M.REF)		
316	LY36638-001B	D FACE TAPE		
317	LY36712-001B	MONI.CASE ASSY		
319	LY36711-003C	MONI.COVER ASSY		A, F
319	LY36711-004C	MONI.COVER ASSY		B
319	LY36711-001C	MONI.COVER ASSY		C,D,E,G,H,J,K
320	LY36710-002H	U.CASE ASSY		A, F
320	LY36710-005H	U.CASE ASSY		B
320	LY36710-001H	U.CASE ASSY		C, D, E
320	LY36710-003H	U.CASE ASSY		G, H, J, K

△ Symbol No.	Part No.	Part Name	Description	Local
323	LY30031-0D4A	SPECIAL SCREW	MONP-LCDBK	
324	LY30031-0D4A	SPECIAL SCREW	MCOV-MCASE	
325	LY30031-0D4A	SPECIAL SCREW	MCOV-HINGE(x2)	
326	LY30031-081A	SPECIAL SCREW	HING-BKTHG(x2)	
327	LY30031-0H5A	SPECIAL SCREW	MONI FPC	
328	LY30031-0L8B	SPECIAL SCREW	SPWB-UPPER(x2)	
329	LY30031-0H5A	SPECIAL SCREW	SPWB-BHING	
601	LY36126-001C	OP BLOCK ASSY		
601A	PTY36126-101	MOTOR UNIT	FOCUS	
601B	PTY36126-101	MOTOR UNIT	ZOOM	
601C	PTY36126-106	AUTO IRIS UNIT		
601D	PTY36126-530	SCREW	(x8)	
602	LY45275-001A	OPTICAL LPF		
603	LY45175-001A	SHEET		
605	QAL1168-001	FPC	CCD FPC	
606	LY30031-0J7A	SPECIAL SCREW	(x2)	
610	LY45541-002A	CCD BASE ASSY		

### PACKING AND ACCESSORY ASSEMBLY <M5>

△ Symbol No.	Part No.	Part Name	Description	Local
△ 002	LYT2009-001A-M	INST BOOK	(GERMAN/DUTCH)	A
△ 002	LYT2009-002A-M	INST BOOK	(FRENCH/ITALIAN)	A
△ 002	LYT2009-003A-M	INST BOOK	(SPANISH/PORTUGUESE)	A
△ 002	LYT2035-001B-M	INST BOOK	(GERMAN/DUTCH)	B, D, F
△ 002	LYT2035-002A-M	INST BOOK	(FRENCH/ITALIAN)	B, D, F
△ 002	LYT2035-003A-M	INST BOOK	(SPANISH/PORTUGUESE)	B, D, F
△ 002	LYT2037-001A-M	INST BOOK	(RUSSIAN/UKRAINIAN)	C
△ 002	LYT2035-004A-M	INST BOOK	(DANISH/FINNISH)	E
△ 002	LYT2035-005A-M	INST BOOK	(SWEDISH/NORWEGIAN)	E
△ 002	LYT2035-006A-M	INST BOOK	(CZECH/HUNGARIAN)	E
△ 002	LYT2035-007A-M	INST BOOK	(POLISH)	E
△ 002	LYT2027-001A-M	INST BOOK	(ENGLISH)	G
△ 002	LYT2026-001A-M	INST BOOK	(RUSSIAN/UKRAINIAN)	H
△ 002	LYT2027-002A-M	INST BOOK	(GERMAN/DUTCH)	J
△ 002	LYT2027-003A-M	INST BOOK	(FRENCH/ITALIAN)	J
△ 002	LYT2027-004A-M	INST BOOK	(SPANISH/PORTUGUESE)	J
△ 002	LYT2027-005A-M	INST BOOK	(DANISH/FINNISH)	K
△ 002	LYT2027-006A-M	INST BOOK	(SWEDISH/NORWEGIAN)	K
△ 002	LYT2027-007A-M	INST BOOK	(CZECH/HUNGARIAN)	K
△ 002	LYT2027-008A-M	INST BOOK	(POLISH)	K
003	LY35273-051A-S	CD ROM ASSY		A
003	LY35273-063A-S	CD ROM ASSY		B,C,D,E,F,G,H,J,K
004	LY36738-002A	SHEET ACC.GUIDE		
005	LY35208-001A	SHEET(E-SHOP)		G
010	YU30878	REGISTRATION CARD		G
012	LYT0194-001B	Q.CARD		G
020	-----	WARRANTY CARD	BT-54038-2CAM	
801	LY30023-054A	POLY BAG		
802	LY36739-015A	PACKING CASE		A
802	LY36739-008A	PACKING CASE		B, C, D, E, F
802	LY36739-011A	PACKING CASE		G, H, J, K
803	LY21961-001D	CUSHION		
804	-----	LABEL		
805	QAM0510-001	AV CABLE		
806	QAM0571-001	USB CABLE		
△ 807	QAL1152-002	AC ADAPTOR	AP-V20E	A, B, C, D, E, F, H, J, K
△ 807	QAL1153-002	AC ADAPTOR	AP-V20M	G
△ 808	LY35320-002D	BATTERY PACK	BN-VF808U	
△ 809	QMP340-190-JC	POWER CORD	1.9m BLACK	G
812	QQR0491-004	CORE FILTER		
814	LY21805-002A	REMOTE CTL UNIT	RM-V751US	
815	QQR0491-004	CORE FILTER	AC P ADAPT	
816	LY36917-002B	LABEL(COLOR)	(x2)	B
816	LY36917-004A	LABEL(COLOR)	(x2)	C, D, E
816	LY36917-001A	LABEL(COLOR)	(x2)	F

MODEL	MARK	MODEL	MARK	MODEL	MARK	MODEL	MARK
GZ-MS124SEU	A	GZ-MS125BEU	D	GZ-MS130BEK	G	GZ-MS130BEZ	K
GZ-MS125AEU	B	GZ-MS125BEZ	E	GZ-MS130BER	H		
GZ-MS125BER	C	GZ-MS125SEU	F	GZ-MS130BEU	J		

### MAIN BOARD ASSEMBLY <01>

△ Symbol No. Part No. Part Name Description Local

△ Symbol No.	Part No.	Part Name	Description	Local
PW1	LYA10155-02C	MAIN BOARD ASSY		A,B,C,D,E,F
PW1	LYA10155-01C	MAIN BOARD ASSY		G,H,J,K
IC1001	MN103SFD0RGA	IC(MICRO C ROM)		
IC1001	or MN103SD0QGA	IC(MICRO C ROM)		
IC1004	NJU7108F3-X	IC		
IC1005	LE25LB643TT-X	IC		
IC1006	S-35190A-G-X	IC		
IC1007	IC-PST8223U-W	IC		
IC1007	or S-80823CNBB-G-W	IC		
IC1009	R5G05001N302N-X	IC(MICRO C ROM)		
IC1009	or YCBCJVSNS8031-X	IC(MICRO C ROM)		
IC2201	AK4669EN-W	IC		
IC3001	JCY0243	IC		
IC3002	H5MS5122DFRJ3M	IC		
IC3002	or H5MS5122DFRJ3MN	IC		
IC3003	SG64N90BF103028	IC(MICRO C ROM)		A,B,C,D,E,F
IC3003	or SG64N90BF103029	IC(MICRO C ROM)		A,B,C,D,E,F
IC3003	or SG64N90BF10302A	IC(MICRO C ROM)		A,B,C,D,E,F
IC3003	or SG64N90BF103000	IC(MICRO C ROM)		
IC3003	SG64N90BF103020	IC(MICRO C ROM)		G,H,J,K
IC3003	or SG64N90BF103021	IC(MICRO C ROM)		G,H,J,K
IC3003	or SG64N90BF103022	IC(MICRO C ROM)		G,H,J,K
IC3005	S-1112B33MC-W	IC		
IC3007	TPS2051BDBV-X	IC		
IC3702	NJW1357RB1-X	IC		
IC3731	MM1510XN-X	IC		
IC4201	R2J45026BG-X	IC		
IC4701	LV8075LP-W	IC		
IC4901	AN41904A-X	IC		
IC4903	S-1112B29MC-W	IC		G,H,J,K
IC4904	NJM2143R-X	IC		
IC6001	FA7736AF	IC		
IC6004	S-1112B28MC-W	IC		
Q171	DTC143XE-X	DIGI TRANSISTOR		G,H,J,K
Q171	or UN921FJ-X	DIGI TRANSISTOR		G,H,J,K
Q171	or RT1N432U-X	DIGI TRANSISTOR		G,H,J,K
Q171	or SRC1219EF-X	DIGI TRANSISTOR		G,H,J,K
Q171	or KRC419E-X	DIGI TRANSISTOR		G,H,J,K
Q421	PUMX1-W	PAIR TRANSISTOR		
Q1002	DTC143XE-X	DIGI TRANSISTOR		
Q1002	or UN921FJ-X	DIGI TRANSISTOR		
Q1002	or RT1N432U-X	DIGI TRANSISTOR		
Q1002	or SRC1219EF-X	DIGI TRANSISTOR		
Q1002	or KRC419E-X	DIGI TRANSISTOR		
Q1003	DTC143XE-X	DIGI TRANSISTOR		
Q1003	or UN921FJ-X	DIGI TRANSISTOR		
Q1003	or RT1N432U-X	DIGI TRANSISTOR		
Q1003	or SRC1219EF-X	DIGI TRANSISTOR		
Q1003	or KRC419E-X	DIGI TRANSISTOR		
Q2401	2SC4617/RS/-X	TRANSISTOR		
Q2401	or 2SC5383/F/-X	TRANSISTOR		
Q2401	or 2SD2216J/RS/-X	TRANSISTOR		
Q2402	2SC4617/RS/-X	TRANSISTOR		
Q2402	or 2SC5383/F/-X	TRANSISTOR		
Q2402	or 2SD2216J/RS/-X	TRANSISTOR		
Q2701	UMX18N-W	PAIR TRANSISTOR		
Q2702	DTA143ZE-X	DIGI TRANSISTOR		
Q2702	or RT1P436U-X	DIGI TRANSISTOR		
Q3001	XP4312-W	DIGI TRANSISTOR		
Q3003	SSM3K16FV-X	MOS FET		
Q3004	DTA144EE-X	DIGI TRANSISTOR		
Q3004	or UN9113J-X	DIGI TRANSISTOR		
Q3004	or KRA304E-X	DIGI TRANSISTOR		
Q3004	or PDTA144EE-X	DIGI TRANSISTOR		
Q3735	2SA1774/RS/-X	TRANSISTOR		
Q3735	or 2SB1462J/RS/-X	TRANSISTOR		
Q3735	or 2SA1989/RS/-X	TRANSISTOR		
Q3736	UMZ1N-W	PAIR TRANSISTOR		
Q3736	or PUMZ1-W	PAIR TRANSISTOR		
Q3736	or XP4601-W	TRANSISTOR		
Q3737	UMX1N-W	PAIR TRANSISTOR		
Q3737	or RT3CLLM/EF/-X	TRANSISTOR		
Q3737	or XP4501-W	TRANSISTOR		
Q3737	or PUMX1-W	PAIR TRANSISTOR		

Q3737	or KTC801U/G/-X	PAIR TRANSISTOR
Q3738	UMZ1N-W	PAIR TRANSISTOR
Q3738	or PUMZ1-W	PAIR TRANSISTOR
Q3738	or XP4601-W	TRANSISTOR
Q3739	DTC144EE-X	DIGI TRANSISTOR
Q3739	or RT1N441U-X	DIGI TRANSISTOR
Q3739	or KRC404E-P-X	DIGI TRANSISTOR
Q3739	or UN9213J-X	DIGI TRANSISTOR
Q3739	or PDC144EE-X	DIGI TRANSISTOR
Q3740	2SA1774/RS/-X	TRANSISTOR
Q3740	or 2SB1462J/RS/-X	TRANSISTOR
Q3740	or 2SA1989/RS/-X	TRANSISTOR
Q4901	RPM-012PBT97-X	PHOTO TRANSISTOR
Q6001	SP8J5-X	MOS FET
Q6509	2SC4617/RS/-X	TRANSISTOR
Q6509	or 2SC5383/F/-X	TRANSISTOR
Q6509	or 2SD2216J/RS/-X	TRANSISTOR
Q6510	2SA1774/RS/-X	TRANSISTOR
Q6510	or 2SB1462J/RS/-X	TRANSISTOR
Q6510	or 2SA1989/RS/-X	TRANSISTOR
Q6701	KMB3D0P30SA-X	MOS FET
Q6702	KMB3D0P30SA-X	MOS FET
Q6703	KMB3D0P30SA-X	MOS FET
Q6901	2SC4617/RS/-X	TRANSISTOR
Q6901	or 2SC5383/F/-X	TRANSISTOR
Q6901	or 2SD2216J/RS/-X	TRANSISTOR
Q7802	UMX1N-W	PAIR TRANSISTOR
Q7802	or KTC801U/G/-X	PAIR TRANSISTOR
Q7802	or RT3CLLM/EF/-X	TRANSISTOR
Q7802	or XP4501-W	TRANSISTOR
Q7802	or PUMX1-W	PAIR TRANSISTOR
Q7803	UMX1N-W	PAIR TRANSISTOR
Q7803	or KTC801U/G/-X	PAIR TRANSISTOR
Q7803	or RT3CLLM/EF/-X	TRANSISTOR
Q7803	or XP4501-W	TRANSISTOR
Q7803	or PUMX1-W	PAIR TRANSISTOR
Q7804	UMX1N-W	PAIR TRANSISTOR
Q7804	or KTC801U/G/-X	PAIR TRANSISTOR
Q7804	or RT3CLLM/EF/-X	TRANSISTOR
Q7804	or XP4501-W	TRANSISTOR
Q7804	or PUMX1-W	PAIR TRANSISTOR
D421	NSPW300DS/C0VW/	LED
D4201	1SS355-X	SI DIODE
D4201	or MA111-X	SI DIODE
D4201	or 1SS352-X	SI DIODE
D4201	or SDS511-X	SI DIODE
D4201	or 1SS355W-X	DIODE
D6101	KDR412-X	SB DIODE
D6101	or RB551V-30-X	SB DIODE
D6301	MA22D23-X	SB DIODE
D6401	KDR412-X	SB DIODE
D6401	or RB551V-30-X	SB DIODE
D6501	1SS355-X	SI DIODE
D6501	or MA111-X	SI DIODE
D6501	or 1SS352-X	SI DIODE
D6501	or SDS511-X	SI DIODE
D6501	or 1SS355W-X	DIODE
D6502	1SS355-X	SI DIODE
D6502	or MA111-X	SI DIODE
D6502	or 1SS352-X	SI DIODE
D6502	or SDS511-X	SI DIODE
D6502	or 1SS355W-X	DIODE
D6503	1SS355-X	SI DIODE
D6503	or MA111-X	SI DIODE
D6503	or 1SS352-X	SI DIODE
D6503	or SDS511-X	SI DIODE
D6503	or 1SS355W-X	DIODE
D6504	1SS355-X	SI DIODE
D6504	or MA111-X	SI DIODE
D6504	or 1SS352-X	SI DIODE
D6504	or SDS511-X	SI DIODE
D6504	or SD5511-X	SI DIODE
D6504	or 1SS355W-X	DIODE
D6506	UDZW9.1B-X	Z DIODE
D6506	or MA8091/M/-X	Z DIODE
D6507	UDZW8.2B-X	Z DIODE
D6507	or MA8082/M/-X	Z DIODE
D6701	MA22D23-X	SB DIODE









MODEL	MARK	MODEL	MARK	MODEL	MARK	MODEL	MARK
GZ-MS124SEU	A	GZ-MS125BEU	D	GZ-MS130BEK	G	GZ-MS130BEZ	K
GZ-MS125AEU	B	GZ-MS125BEZ	E	GZ-MS130BER	H		
GZ-MS125BER	C	GZ-MS125SEU	F	GZ-MS130BEU	J		

Symbol No.	Part No.	Part Name	Description	Local
R7801	NRSA6AD-123W	MG RESISTOR	12kΩ 1/16W D	
R7803	NRSA6AD-822W	MG RESISTOR	8.2kΩ 1/16W D	
R7804	NRSA6AD-822W	MG RESISTOR	8.2kΩ 1/16W D	
R7805	NRSA6AD-822W	MG RESISTOR	8.2kΩ 1/16W D	
R7809	NRSA6AJ-822W	MG RESISTOR	8.2kΩ 1/16W J	
R7810	NRSA6AJ-822W	MG RESISTOR	8.2kΩ 1/16W J	
R7811	NRSA6AJ-822W	MG RESISTOR	8.2kΩ 1/16W J	
R7813	NRSA6AJ-103W	MG RESISTOR	10kΩ 1/16W J	
RA1001	NRZ0034-104W	NET RESISTOR	100kΩ 1/32W J x4	
RA1002	NRZ0034-102W	NET RESISTOR	1kΩ 1/32W J x4	
RA3001	NRZ0034-0R0W	NET RESISTOR	0Ω 1/32W J x4 A,B,C,D,E,F	
RA3002	NRZ0034-330W	NET RESISTOR	33Ω 1/32W J x4 G,H,J,K	
RA3003	NRZ0034-330W	NET RESISTOR	33Ω 1/32W J x4 G,H,J,K	
RA3004	NRZ0034-0R0W	NET RESISTOR	0Ω 1/32W J x4 A,B,C,D,E,F	
RA3005	NRZ0034-0R0W	NET RESISTOR	0Ω 1/32W J x4 A,B,C,D,E,F	
RA3006	NRZ0034-330W	NET RESISTOR	33Ω 1/32W J x4 G,H,J,K	
RA3007	NRZ0034-330W	NET RESISTOR	33Ω 1/32W J x4 G,H,J,K	
RA3009	NRZ0034-330W	NET RESISTOR	33Ω 1/32W J x4 G,H,J,K	

### CCD BOARD ASSEMBLY <02>

Symbol No.	Part No.	Part Name	Description	Local
PW1	LYA20044-01A	CCD BOARD ASSY		
Q5001	2SC3931/CD/-X	TRANSISTOR		
Q5001	or 2SC4265JC07-X	TRANSISTOR		
C5001	NCB11CK-475X	C CAPACITOR	4.7uF 16V K	
C5002	NCB31CK-104X	C CAPACITOR	0.1uF 16V K	
C5004	NCB31CK-104X	C CAPACITOR	0.1uF 16V K	
C5005	NCB31CK-104X	C CAPACITOR	0.1uF 16V K	
C5006	NCB31CK-104X	C CAPACITOR	0.1uF 16V K	
C5007	NCB31EK-222X	C CAPACITOR	2200pF 25V K	
R5001	NRSA63J-362X	MG RESISTOR	3.6kΩ 1/16W J	
R5008	NRSA63D-220X	MG RESISTOR	22Ω 1/16W D	
R5009	NRSA63D-220X	MG RESISTOR	22Ω 1/16W D	
L5001	NQL315K-470X	COIL	47uH K	
L5002	NQL315K-470X	COIL	47uH K	
CN5001	QGF0543F3-20X	CONNECTOR	FFC/FPC (1-20)	

### SENSOR BOARD ASSEMBLY <03>

Symbol No.	Part No.	Part Name	Description	Local
PW2	LYA20053-01B2	SENSOR BOARD ASSY		
IC301	CP7126AT-X	IC		A,B,C,D,E,F
D301	LNJ953W8C-X	LED		
D302	LNJ953W8C-X	LED		
D303	LNJ953W8C-X	LED		
D304	LNJ953W8C-X	LED		
C301	NCB30JK-105X	C CAPACITOR	1uF 6.3V K	
C303	NCB20JK-475X	C CAPACITOR	4.7uF 6.3V K	
C304	NDC31HJ-102X	C CAPACITOR	1000pF 50V J	
R301	NRSA63J-391X	MG RESISTOR	390Ω 1/16W J	
R302	NRSA63J-391X	MG RESISTOR	390Ω 1/16W J	
R303	NRSA63J-391X	MG RESISTOR	390Ω 1/16W J	
R304	NRSA63J-391X	MG RESISTOR	390Ω 1/16W J	
L301	NQR0599-003X	FERRITE BEADS		
L302	NQR0599-003X	FERRITE BEADS		
CN301	QGF0565C1-08W	CONNECTOR	FFC/FPC (1-8)	
OT1	LY36704-001A	SHEET (LED)		
OT2	LY30035-045A	SPACER(A)		
WR1	QAL1038-001	FPC	MONI-SENS	

### SD BOARD ASSEMBLY <04>

Symbol No.	Part No.	Part Name	Description	Local
PW1	LYA20051-05C1	SD BOARD ASSY		A,B,C,D,E,F
PW1	LYA20051-03C1	SD BOARD ASSY		G,H,J,K
IC401	GP1UF311Y-X	IR DETECT UNIT		
IC402	S-1112B31MC-W	IC		A,B,C,D,E,F
IC403	S-1112B31MC-W	IC		A,B,C,D,E,F
C401	NCB20JK-475X	C CAPACITOR	4.7uF 6.3V K	
C402	NCB31CK-104X	C CAPACITOR	0.1uF 16V K	
C404	NCB31CK-104X	C CAPACITOR	0.1uF 16V K A,B,C,D,E,F	
C405	NCB31AK-105X	C CAPACITOR	1uF 10V K A,B,C,D,E,F	
C406	NCB31AK-105X	C CAPACITOR	1uF 10V K A,B,C,D,E,F	
C407	NCB31AK-105X	C CAPACITOR	1uF 10V K A,B,C,D,E,F	
C408	NCB31AK-105X	C CAPACITOR	1uF 10V K A,B,C,D,E,F	
△ F6001	NMFZ024-2R5X-A	FUSE	2.5A	
△ F6002	NMFZ024-2R5X-A	FUSE	2.5A	
F6003	NRSA63J-0R0X	MG RESISTOR	0Ω 1/10W J	
F6501	NRSA63J-0R0X	MG RESISTOR	0Ω 1/10W J	
△ F6701	NMFZ024-2R5X-A	FUSE	2.5A	
HD1	LY36677-001A	HOLDER (LED)		
J101	QNZ1008-001	USB CONNECTOR		
X1001	NAX0647-001X	C RESONATOR	20.000MHz	
X1002	NAX0950-001X	CRYSTAL	32.768KHz	
X3001	NAX1023-001X	C RESONATOR	48.000MHz	
X4201	NAX1012-001X	CRYSTAL	27.000MHz	

MODEL	MARK	MODEL	MARK	MODEL	MARK	MODEL	MARK
GZ-MS124SEU	A	GZ-MS125BEU	D	GZ-MS130BEK	G	GZ-MS130BEZ	K
GZ-MS125AEU	B	GZ-MS125BEZ	E	GZ-MS130BER	H		
GZ-MS125BER	C	GZ-MS125SEU	F	GZ-MS130BEU	J		

△ Symbol No.	Part No.	Part Name	Description	Local	△ Symbol No.	Part No.	Part Name	Description	Local
--------------	----------	-----------	-------------	-------	--------------	----------	-----------	-------------	-------

R401	NRSA63J-473X	MG RESISTOR	47kΩ	1/16W J
R402	NRSA63J-221X	MG RESISTOR	220Ω	1/16W J A,B,C,D,E,F
R402	NRSA63J-473X	MG RESISTOR	47kΩ	1/16W J G,H,J,K
R403	NRSA63J-563X	MG RESISTOR	56kΩ	1/16W J
R404	NRSA63J-563X	MG RESISTOR	56kΩ	1/16W J
R405	NRSA63J-563X	MG RESISTOR	56kΩ	1/16W J
R406	NRSA63J-563X	MG RESISTOR	56kΩ	1/16W J
R407	NRSA63J-103X	MG RESISTOR	10kΩ	1/16W J
R408	NRSA63J-101X	MG RESISTOR	100Ω	1/16W J
R409	NRSA63J-101X	MG RESISTOR	100Ω	1/16W J
R410	NRSA63J-101X	MG RESISTOR	100Ω	1/16W J
R411	NRSA63J-101X	MG RESISTOR	100Ω	1/16W J
R412	NRSA63J-473X	MG RESISTOR	47kΩ	1/16W J A,B,C,D,E,F
R413	NRSA63J-221X	MG RESISTOR	220Ω	1/16W J A,B,C,D,E,F
R414	NRSA63J-563X	MG RESISTOR	56kΩ	1/16W J A,B,C,D,E,F
R415	NRSA63J-563X	MG RESISTOR	56kΩ	1/16W J A,B,C,D,E,F
R416	NRSA63J-563X	MG RESISTOR	56kΩ	1/16W J A,B,C,D,E,F
R417	NRSA63J-563X	MG RESISTOR	56kΩ	1/16W J A,B,C,D,E,F
R418	NRSA63J-103X	MG RESISTOR	10kΩ	1/16W J A,B,C,D,E,F
R419	NRSA63J-101X	MG RESISTOR	100Ω	1/16W J A,B,C,D,E,F
R420	NRSA63J-101X	MG RESISTOR	100Ω	1/16W J A,B,C,D,E,F
R431	NRSA63J-101X	MG RESISTOR	100Ω	1/16W J A,B,C,D,E,F
R432	NRSA63J-101X	MG RESISTOR	100Ω	1/16W J A,B,C,D,E,F
R433	NRSA63J-682X	MG RESISTOR	6.8kΩ	1/16W J
R434	NRSA63J-153X	MG RESISTOR	15kΩ	1/16W J
R436	NRSA63J-0R0X	MG RESISTOR	0Ω	1/10W J G,H,J,K
R437	NRSA63J-0R0X	MG RESISTOR	0Ω	1/10W J
R438	NRSA63J-0R0X	MG RESISTOR	0Ω	1/10W J
R439	NRSA63J-0R0X	MG RESISTOR	0Ω	1/10W J
R440	NRSA63J-0R0X	MG RESISTOR	0Ω	1/10W J A,B,C,D,E,F
R441	NRSA63J-0R0X	MG RESISTOR	0Ω	1/10W J A,B,C,D,E,F
R442	NRSA63J-0R0X	MG RESISTOR	0Ω	1/10W J A,B,C,D,E,F
R443	NRSA63J-0R0X	MG RESISTOR	0Ω	1/10W J
R444	NRSA63J-0R0X	MG RESISTOR	0Ω	1/10W J
R445	NRSA63J-0R0X	MG RESISTOR	0Ω	1/10W J
R446	NRSA63J-0R0X	MG RESISTOR	0Ω	1/10W J A,B,C,D,E,F
R447	NRSA63J-0R0X	MG RESISTOR	0Ω	1/10W J A,B,C,D,E,F
R448	NRSA63J-0R0X	MG RESISTOR	0Ω	1/10W J A,B,C,D,E,F

Q7304	or XP4401-W	TRANSISTOR
Q7305	DTC143XE-X	DIGI TRANSISTOR
Q7305	or UN921FJ-X	DIGI TRANSISTOR
Q7305	or SRC1219EF-X	DIGI TRANSISTOR
Q7305	or KRC419E-X	DIGI TRANSISTOR
Q7305	or RT1N432U-X	DIGI TRANSISTOR
Q7306	DTC124EE-X	DIGI TRANSISTOR
Q7306	or UN9212J-X	DIGI TRANSISTOR
Q7306	or SRC1203EF-X	DIGI TRANSISTOR
Q7306	or KRC403E-X	DIGI TRANSISTOR
Q7306	or RT1N241U-X	DIGI TRANSISTOR
Q7310	DTA144EE-X	DIGI TRANSISTOR
Q7310	or UN9113J-X	DIGI TRANSISTOR
Q7310	or KRA304E-X	DIGI TRANSISTOR
Q7310	or PDTA144EE-X	DIGI TRANSISTOR
Q7701	2SC4617/RS/-X	TRANSISTOR
Q7701	or 2SC5383/F/-X	TRANSISTOR
Q7701	or 2SD2216J/RS/-X	TRANSISTOR
Q7702	UMX1N-W	PAIR TRANSISTOR
Q7702	or KTC801U/G/-X	PAIR TRANSISTOR
Q7702	or RT3CLLM/EF/-X	TRANSISTOR
Q7702	or XP4501-W	TRANSISTOR
Q7702	or PUMX1-W	PAIR TRANSISTOR
Q7703	UMX1N-W	PAIR TRANSISTOR
Q7703	or KTC801U/G/-X	PAIR TRANSISTOR
Q7703	or RT3CLLM/EF/-X	TRANSISTOR
Q7703	or XP4501-W	TRANSISTOR
Q7703	or PUMX1-W	PAIR TRANSISTOR

D7301	1SS355-X	SI DIODE
D7301	or MA111-X	SI DIODE
D7301	or SDS511-X	SI DIODE
D7301	or 1SS352-X	SI DIODE
D7302	UDZW5.1B-X	SB DIODE
D7302	or MA8051/M/-X	Z DIODE
D7701	NSSW006/T294-X	LED
D7702	NSSW006/T294-X	LED
D7703	NSSW006/T294-X	LED
D7704	NSSW006/T294-X	LED

L401	NQR0154-004X	FERRITE CORE		
L402	NRSA02J-0R0X	MG RESISTOR	0Ω	1/10W J G,H,J,K
CN401	QGF0549C2-30W	CONNECTOR	FFC/FPC (1-30)	
CN402	NNZ0221-001X	SD CARD CONNECTOR		
CN403	NNZ0221-001X	SD CARD CONNECTOR	A,B,C,D,E,F	
S401	NSW0198-001X	TACT SWITCH		
S402	NSW0198-001X	TACT SWITCH		
S403	NSW0198-001X	TACT SWITCH		
S404	NSW0198-001X	TACT SWITCH		
S405	NSW0198-001X	TACT SWITCH		
S406	NSW0294-001X	LEVER SWITCH		
S407	NSW0099-001X	SLIDE SWITCH		

C702	NCB30JK-105X	C CAPACITOR	1uF 6.3V K
C7302	NCB30JK-105X	C CAPACITOR	1uF 6.3V K
C7305	NCB11CK-475X	C CAPACITOR	4.7uF 16V K
C7307	NCB20JK-106X	C CAPACITOR	10uF 6.3V K
C7308	NCB31CK-104X	C CAPACITOR	0.1uF 16V K
C7309	NCB21CK-105X	C CAPACITOR	1uF 16V K
C7310	NCB21CK-105X	C CAPACITOR	1uF 16V K
C7311	NCB21CK-105X	C CAPACITOR	1uF 16V K
C7312	NCB31AK-105X	C CAPACITOR	1uF 10V K
C7313	NCB31CK-104X	C CAPACITOR	0.1uF 16V K
C7314	NCB31AK-105X	C CAPACITOR	1uF 10V K
C7316	NCB20JK-106X	C CAPACITOR	10uF 6.3V K

R703	NRSA63J-471X	MG RESISTOR	470Ω	1/16W J
R707	NRSA63J-104X	MG RESISTOR	100kΩ	1/16W J
R714	NRSA63J-0R0X	MG RESISTOR	0Ω	1/10W J
R7303	NRSA63J-222X	MG RESISTOR	2.2kΩ	1/16W J
R7304	NRSA63D-221X	MG RESISTOR	220Ω	1/16W D
R7305	NRSA63D-272X	MG RESISTOR	2.7kΩ	1/16W D
R7306	NRSA63D-332X	MG RESISTOR	3.3kΩ	1/16W D
R7307	NRSA63J-104X	MG RESISTOR	100kΩ	1/16W J
R7308	NRSA63J-562X	MG RESISTOR	5.6kΩ	1/16W J
R7309	NRSA63J-202X	MG RESISTOR	2kΩ	1/16W J
R7310	NRSA63J-103X	MG RESISTOR	10kΩ	1/16W J
R7312	NRSA63J-473X	MG RESISTOR	47kΩ	1/16W J
R7313	NRSA63J-473X	MG RESISTOR	47kΩ	1/16W J
R7314	NRSA63J-473X	MG RESISTOR	47kΩ	1/16W J
R7315	NRSA63J-105X	MG RESISTOR	1MΩ	1/16W J
R7318	NRSA63J-123X	MG RESISTOR	12kΩ	1/16W J
R7701	NRSA63D-391X	MG RESISTOR	390Ω	1/16W D
R7702	NRSA63D-682X	MG RESISTOR	6.8kΩ	1/16W D
R7703	NRSA63D-330X	MG RESISTOR	33Ω	1/16W D
R7704	NRSA63D-330X	MG RESISTOR	33Ω	1/16W D
R7705	NRSA63D-330X	MG RESISTOR	33Ω	1/16W D
R7706	NRSA63D-330X	MG RESISTOR	33Ω	1/16W D

### MONITOR BOARD ASSEMBLY <05>

△ Symbol No.	Part No.	Part Name	Description	Local
PW1	LYA20053-01B1	MONITOR BOARD ASSY		
IC701	HGDESN031A-X	IC		
IC702	R1114N281B-X	IC		
IC7301	TC7SZ04FU-F-X	IC(DIGITAL)		
IC7302	R1114N401B-X	IC		
Q7302	2SA1774/RS/-X	TRANSISTOR		
Q7302	or 2SB1462J/RS/-X	TRANSISTOR		
Q7302	or 2SA1989/RS/-X	TRANSISTOR		
Q7303	2SC4617/RS/-X	TRANSISTOR		
Q7303	or 2SD2216J/RS/-X	TRANSISTOR		
Q7303	or 2SC5383/F/-X	TRANSISTOR		
Q7304	UMT1N-W	PAIR TRANSISTOR		
Q7304	or KTA701U/G/-X	PAIR TRANSISTOR		
Q7304	or PUMT1-W	PAIR TRANSISTOR		
Q7304	or BC856S-X	PAIR TRANSISTOR		

L7301	NRSA63J-0R0X	MG RESISTOR	0Ω	1/10W J
L7302	NQL382M-100X	COIL		10uH M

MODEL	MARK	MODEL	MARK	MODEL	MARK	MODEL	MARK
GZ-MS124SEU	A	GZ-MS125BEU	D	GZ-MS130BEK	G	GZ-MS130BEZ	K
GZ-MS125AEU	B	GZ-MS125BEZ	E	GZ-MS130BER	H		
GZ-MS125BER	C	GZ-MS125SEU	F	GZ-MS130BEU	J		

Symbol No.	Part No.	Part Name	Description	Local
CN701	QGF0534F2-24X	CONNECTOR	FFC/FPC (1-24)	
CN702	QGF0534F2-08X	CONNECTOR	FFC/FPC (1-8)	
CN703	QGF0534F2-30X	CONNECTOR	FFC/FPC (1-30)	

### REAR BOARD ASSEMBLY <06>

Symbol No.	Part No.	Part Name	Description	Local
PW2	LYA20051-05C2	REAR BOARD ASSY		A,B,C,D,E,F
PW2	LYA20051-03C2	REAR BOARD ASSY		G,H,J,K
C603	NCB31HK-102X	C CAPACITOR	1000pF 50V K	
C604	NCB31HK-102X	C CAPACITOR	1000pF 50V K	
R601	NRSA63J-101X	MG RESISTOR	100Ω 1/16W J	
R602	NRSA63J-101X	MG RESISTOR	100Ω 1/16W J	
R603	NRSA63J-0R0X	MG RESISTOR	0Ω 1/10W J	
△ R611	NRSA63J-102X	MG RESISTOR	1kΩ 1/16W J	
L602	NQR0251-004X	FERRITE BEADS		
L603	NQR0251-004X	FERRITE BEADS		
BT601	LY35953-001B	BATT.TERMINAL		
△ BT602	QAB0050-001	LITHIUM BATTERY		
CN601	QGF0543F3-30X	CONNECTOR	FFC/FPC (1-30)	
J601	QNS0287-001	3.5 JACK		
J602	QNA0039-001	DC JACK		
OT1	LY30035-037A	SPACER(A)		
WR1	QUQK05-3003AA-E	FFC WIRE	REAR-MAIN	

### MEMORY BOARD ASSEMBLY <07>

Symbol No.	Part No.	Part Name	Description	Local
PW1	LYA20050-01B	MEMORY BOARD ASSY		G,H,J,K