

JVC

PARTS LIST

CAMCORDER

GZ-MG750BEK

GZ-MG750BEU



■ PRECAUTIONS ON SCHEMATIC DIAGRAMS

- Due to the improvement in performance, some part numbers shown in the circuit diagrams may not agree with those indicated in the Parts List.
- The parts numbers, values and rated voltage etc. in the Schematic Diagrams are for reference only.
- Since the circuit diagrams are standard ones, the circuits and circuit constants may be subject to change for improvement without any notice.

■ PRECAUTIONS ON PARTS LIST

- The parts identified by the \triangle symbol are critical for safety. Whenever replacing these parts, be sure to use specified ones to secure the safety.
- The parts not indicated in this Parts List and those which are filled with lines --- in the Parts No. columns will not be supplied.
- P.W. BOARD Ass'y will not be supplied, but those which are filled with the Parts No. in the Parts No. columns will be supplied.
- When ordering chips, screws etc., place bulk orders (unit of tens) whenever possible to improve shipping efficiency.
- There are cases where the actual implemented parts in the sets and the service parts are different. When ordering parts, make sure to refer to the Parts List.

■ PRECAUTIONS ON SERVICE

Certain parts of the power circuits and the GNDs differ according to the models. Care must be taken for the following points as the differences are indicated separately in the LIVE GND () and the ISOLATED (NEUTRAL) GND () .

1. Do not touch the LIVE GND, or do not touch the LIVE GND and the ISOLATED (NEUTRAL) GND at the same time. It may cause an electric shock.
Before pulling out the chassis or other parts, make sure to pull out the power cord from the wall outlet first.
2. Do not short circuit between the LIVE GND and ISOLATED (NEUTRAL) GND, or never measure the LIVE GND and ISOLATED (NEUTRAL) GND at the same time using measuring instruments (oscilloscope, etc.). It may blow fuses or damage other parts.

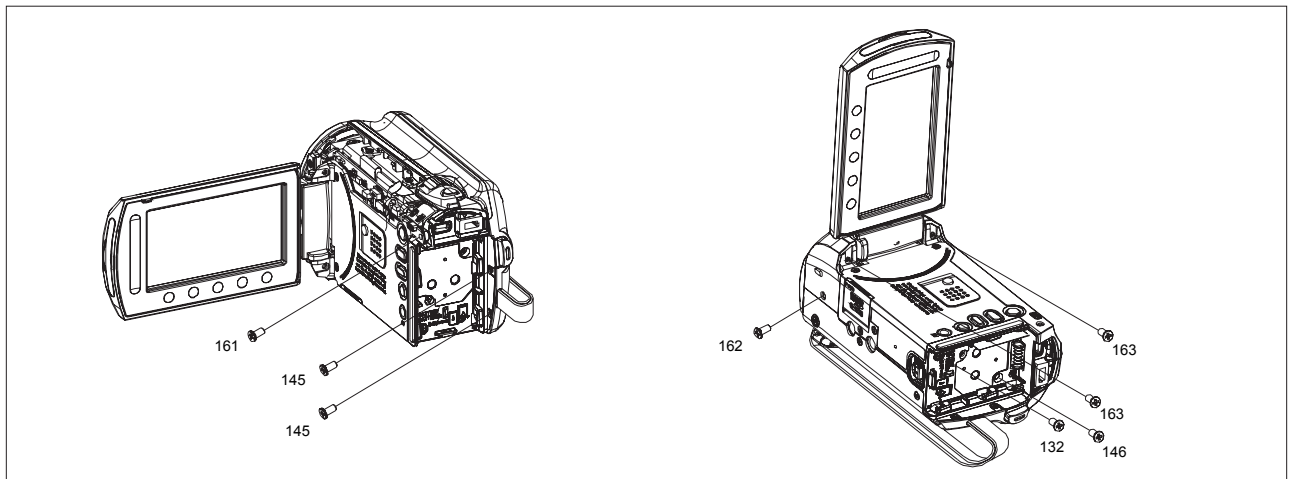
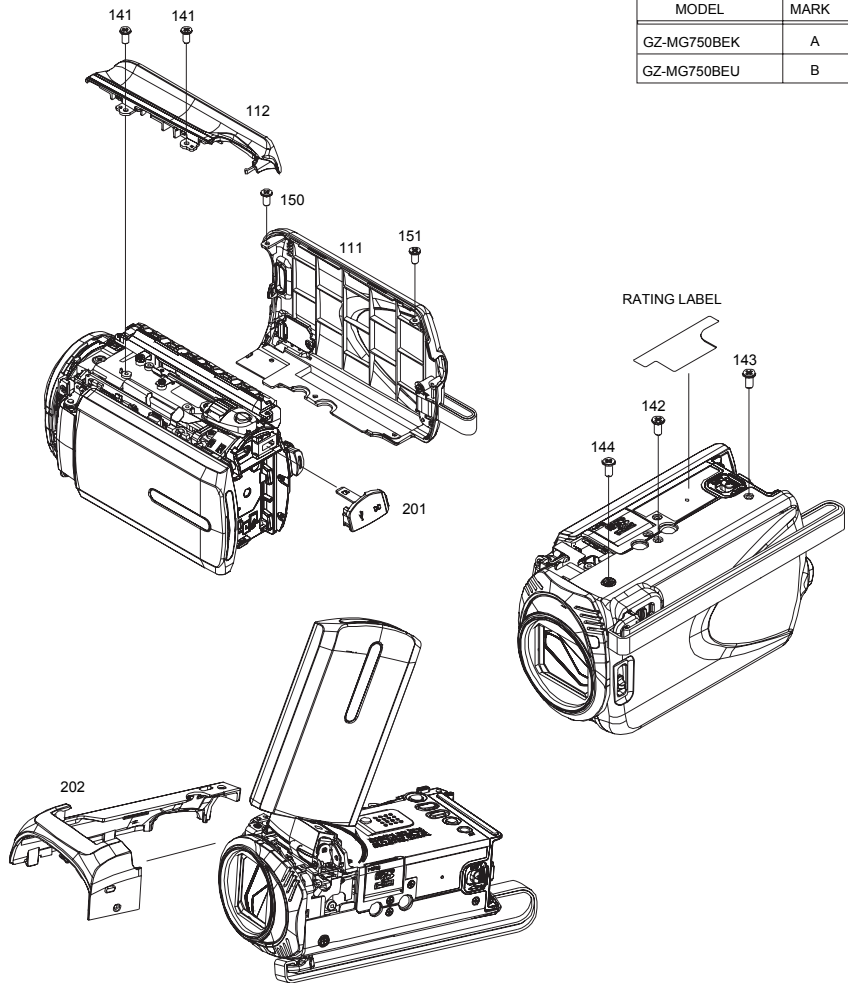
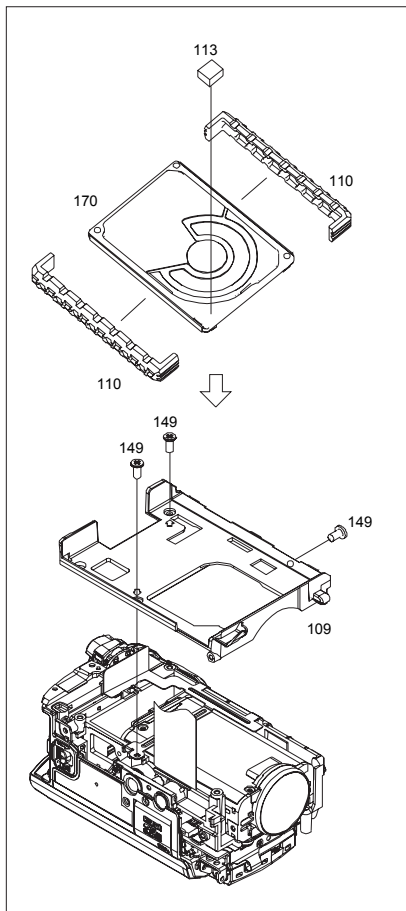
■ DEVIATION TOLERANCE RANGE

DEVIATION TOLERANCE RANGE									
F	G	J	K	M	N	R	H	Z	P
± 1%	± 2%	± 5%	±10%	±20%	±30%	+30% -10%	+50% -10%	+80% -20%	+100% -0%

FINAL ASSEMBLY<M1>

The instruction manual to be provided with this product will differ according to the destination.

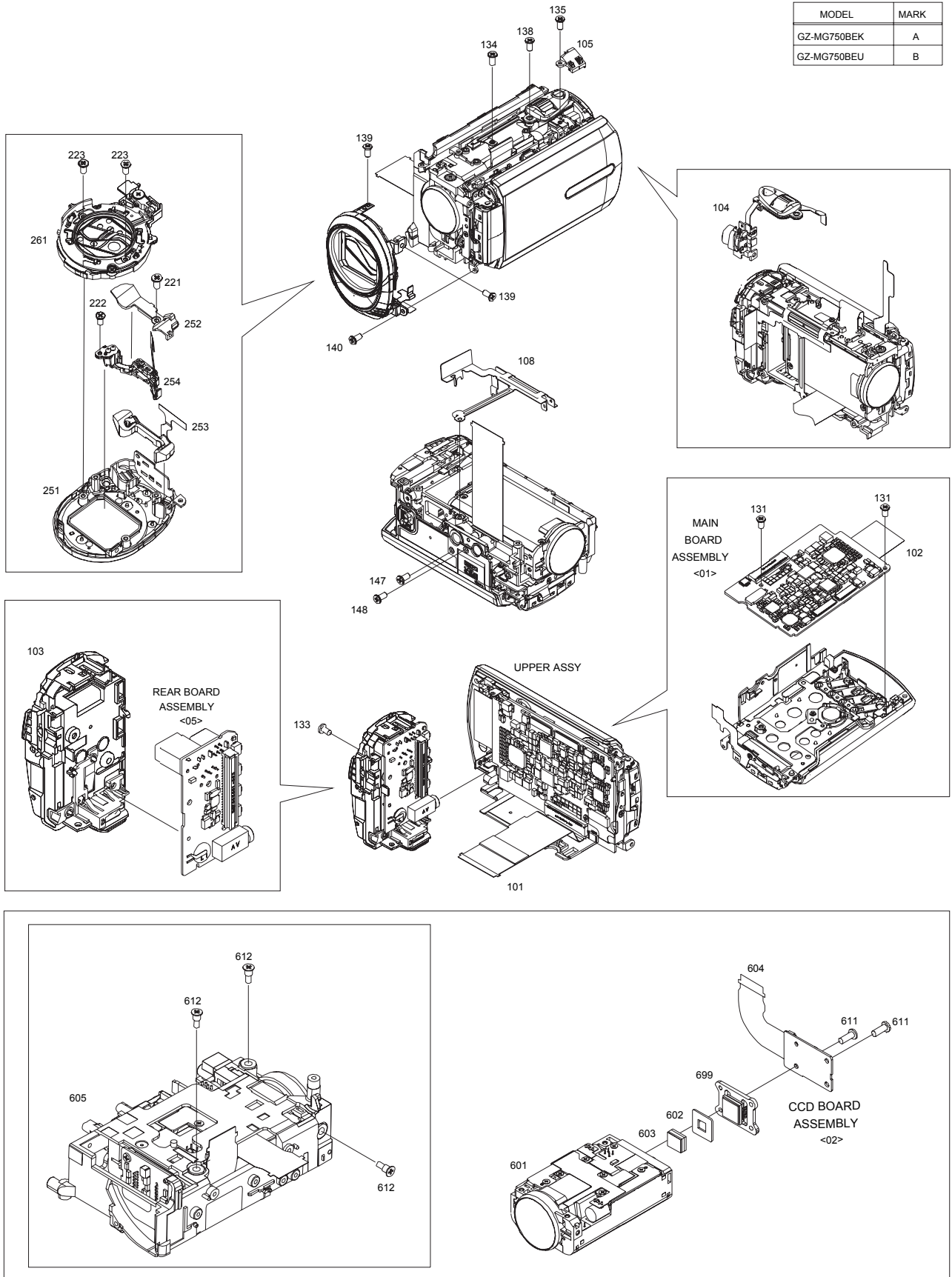
MODEL	MARK
GZ-MG750BEK	A
GZ-MG750BEU	B



FINAL ASSEMBLY<M1>

The instruction manual to be provided with this product will differ according to the destination.

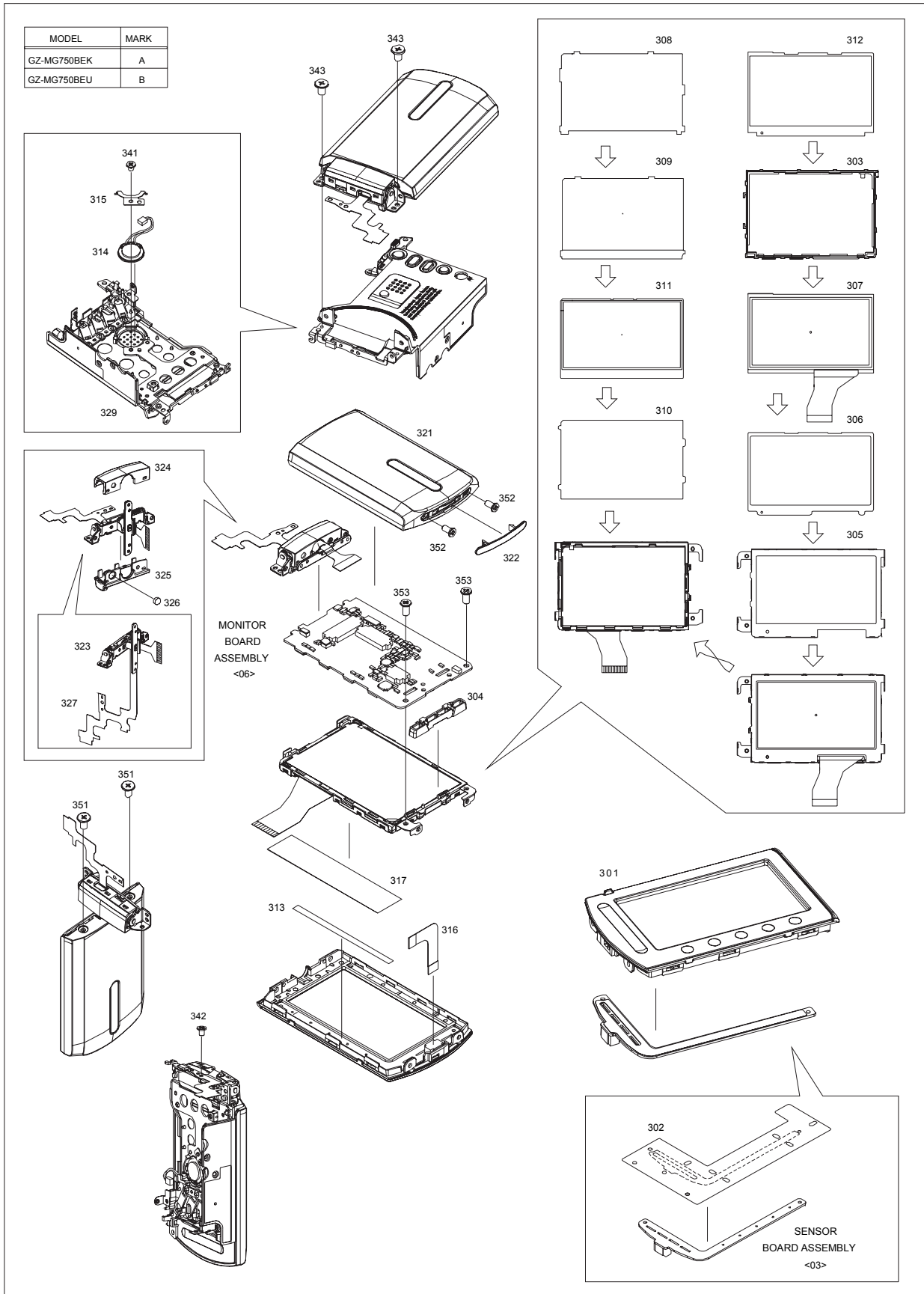
MODEL	MARK
GZ-MG750BEK	A
GZ-MG750BEU	B



FINAL ASSEMBLY<M1>

The instruction manual to be provided with this product will differ according to the destination.

UPPER ASSY

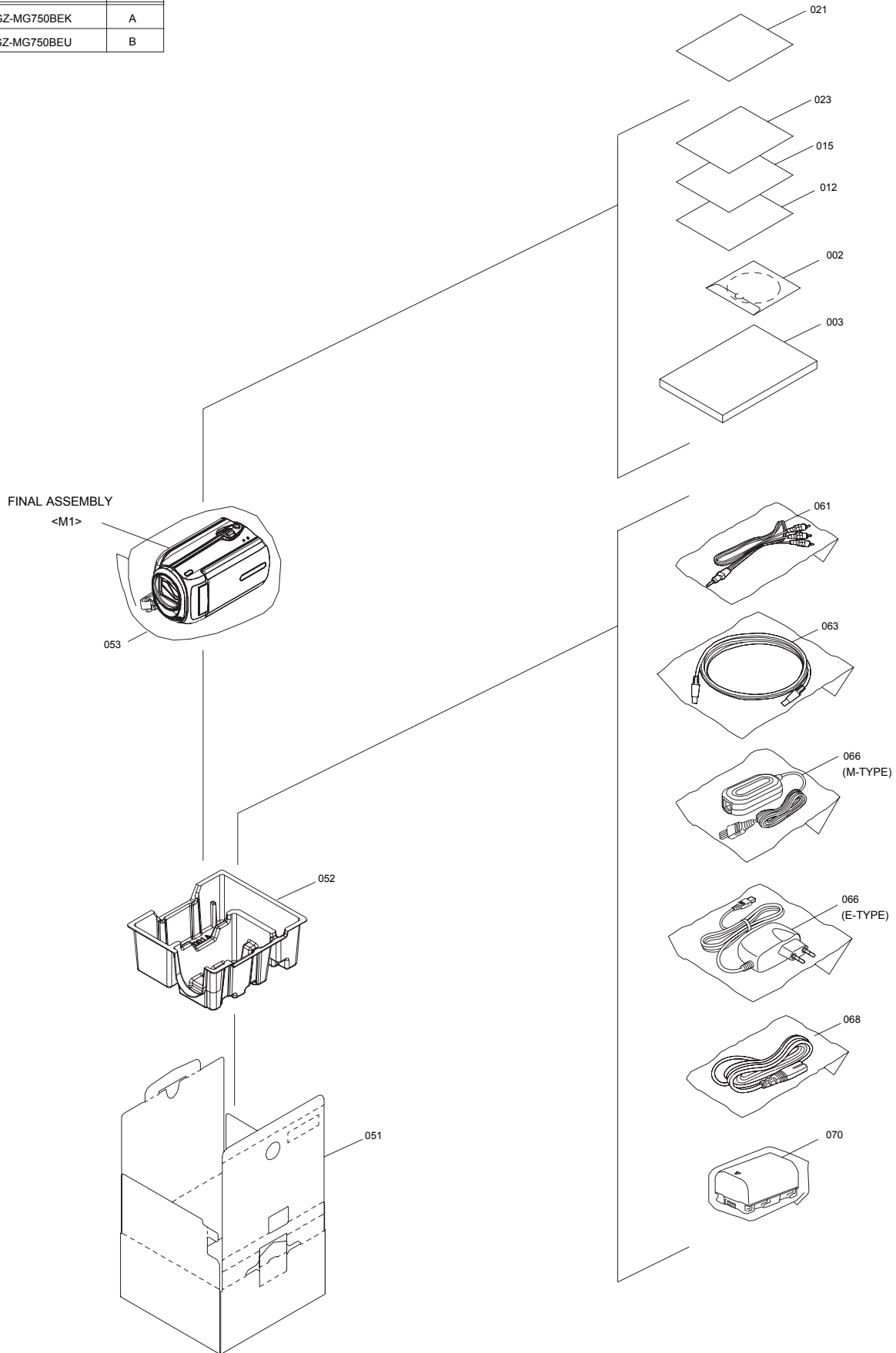


MODEL	MARK	MODEL	MARK
GZ-MG750BEK	A	GZ-MG750BEU	B

Safe	Symbol No.	Parts No.	Parts Name	Description	QTY	Local
FINAL ASSEMBLY <M1MM>						
	101	QAL1246-003	FPC	MAIN-HDD	1	
	102	WJT0241-001A-E	E-CARD WIRE	MAIN-REAR	1	
△	103	LY37209-001D	REAR COVER ASSY		1	
	104	LY10657-001B	OPE UNIT		1	
	105	LY37235-001B	HOLDER(IND)ASSY		1	
	108	LY37236-001B	SHILED(HDD)		1	
	109	LY37459-001C	HDD CASE ASSY		1	
	110	LY37032-001A	RUBBER SPACER		2	
	111	LY22112-004D	LOWER CASE ASSY(E3)		1	
	112	LY37244-004C	T.COVER ASSY(E3)		1	
	113	QZW0412-001	GASKET		1	
	131	LY30031-0P9A	SPECIAL SCREW	MAIN-UPPER	2	
	132	LY30031-0P9A	SPECIAL SCREW	REAR-UPPER	1	
	133	LY30031-0K7A	SPECIAL SCREW	REAR-SMAIN	1	
	134	LY30031-0P9A	SPECIAL SCREW	SLD-HLD(OP	1	
	135	LY30031-0K7A	SPECIAL SCREW	H(IND-SMAI	1	
	138	LY30031-0P9A	SPECIAL SCREW	OPE.U-H(OP	1	
	139	LY30031-0P9A	SPECIAL SCREW	FRONT-H(OP	2	
	140	LY30031-0K7A	SPECIAL SCREW	FRON-B(HIN	1	
	141	LY30031-0P9A	SPECIAL SCREW	OMENT-H(OP	2	
	142	LY30031-0P9A	SPECIAL SCREW	LOWER-TPOD	1	
	143	LY30031-0P9A	SPECIAL SCREW	LOWER-H(OP	1	
	144	LY30031-0P9A	SPECIAL SCREW	LOWER-HD.C	1	
	145	LY30031-0P9A	SPECIAL SCREW	REAR-LOWER	2	
	146	LY30031-0P9A	SPECIAL SCREW	REAR-H(OP)	1	
	147	LY30031-0P9A	SPECIAL SCREW	UPPER-H(OP	1	
	148	LY30031-0P9A	SPECIAL SCREW	UPPER-TPOD	1	
	149	LY30031-0P9A	SPECIAL SCREW	HD.C-H(OP	3	
	150	LY30031-0P9A	SPECIAL SCREW	LOWER-HD.C	1	
	151	LY30031-0P9A	SPECIAL SCREW	LOWER-HD.C	1	
	161	LY30031-0Q3A	SPECIAL SCREW	C(HIN-REAR	1	
	162	LY30031-0Q3A	SPECIAL SCREW	C(HIN-H(OP	1	
	163	LY30031-0Q3A	SPECIAL SCREW	UPPE-C(HIN	2	
	170	QAL1279-002	HDD	80GB	1	
	201	LY37213-001A	JACK COVER(SD)		1	
	202	LY37212-004F	COVER(HIN)ASSY		1	
	221	LY30031-0Q3A	SPECIAL SCREW	MIC-FRONT	1	
	222	LY30031-0Q3A	SPECIAL SCREW	F_SEN-FRON	1	
	223	LY30031-0Q3A	SPECIAL SCREW	BARR-HOOD	2	
	251	LY37223-004D	F COVER ASSY(SD)		1	
	252	LY37227-001A	PLATE(MIC)SD		1	
	253	QAN0101-003	MICROPHONE UNIT		1	
	254	LY37335-001A	FRONT FPC UNIT		1	
	261	LY22118-001A	SHUTTER ASSY		1	
	301	LY37184-001C	M.CASE ASSY(SD)		1	
	302	LY37185-001A	D.FACE TAPE		1	
	303	LY22103-001A	LCD CASE		1	
	304	LY37231-001A	HOLDER(LED)		1	
	305	LY22104-001A	BRACKET(LCD)		1	
	306	LY37337-001A	SPACER LCD		1	
	307	QLD0538-001	LCD MODULE		1	
	308	LY37339-001A	SHEET (BEF)		1	
	309	LY35480-001A	SHEET(M/DIFF)		1	
	310	LY35481-001A	SHEET(M.REF)		1	
	311	LY36668-001A	LIGHT GUIDE		1	
	312	LY37338-001A	SHEET LCD		1	
	313	LY30035-045A	SPACER(A)		1	
	314	QAS0612-001	SPEAKER		1	
	315	LY37246-001B	BKT(SPK)		1	
	316	QAL1248-001	FPC	SENS-MONI	1	
	317	LY37438-002A	SHEET (B LIHGT)		1	
	321	LY37186-012C	M.COVER ASSY(SD)		1	
	322	LY37317-004A	MONI PLATE(R)		1	
	323	LY21558-004A	HINGE UNIT		1	
	324	LY37188-004A	HINGE COV(U)SD		1	
	325	LY37189-001A	HINGE COVER(L)		1	
	326	LY45427-001A	P.C.MAGNET		1	
	327	QAL1245-001	FPC	MONI-MAIN	1	
	329	LY22108-002E	U. CASE ASSY(SD)		1	
	341	LY30031-016A	SPECIAL SCREW	SPK-B(HIN)	1	
	342	LY30031-016A	SPECIAL SCREW	FPC-B(HIN)	1	
	343	LY30031-0K9A	SPECIAL SCREW	HING-B(HIN)	2	
	351	LY30031-0N5A	SPECIAL SCREW	HINGE-MONI	2	
	352	LY30031-079A	SPECIAL SCREW	M.COV-BKT	2	
	353	LY30031-079A	SPECIAL SCREW	M.PWB-BKT	2	
	601	LY36126-002A	OP BLOCK ASSY		1	
	602	LY45175-001A	SHEET		1	
	603	LY45275-001A	OPTICAL LPF		1	
	604	QAL1247-001	FPC		1	
	605	LY37198-001E	HOLDER(OPSD)ASY		1	
	611	LY30031-0J7A	SPECIAL SCREW		2	
	612	LY30032-037A	SPECIAL SCREW		3	
	699	LY45541-002A	CCD BASE ASSY		1	

PACKING AND ACCESSORY ASSEMBLY <M5>

MODEL	MARK
GZ-MG750BEK	A
GZ-MG750BEU	B



MODEL	MARK	MODEL	MARK
GZ-MG750BEK	A	GZ-MG750BEU	B

Safe	Symbol No.	Parts No.	Parts Name	Description	QTY	Local
PACKING AND ACCESSORY ASSEMBLY <M5MM>						
	002	LY37342-003A-S	CD ROM ASSY		1	
△	003	LYT2135-001A-M	INST BOOK	(ENGLISH)	1	A
△	003	LYT2134-001A-M	INST BOOK	(GERMAN/FRENCH/SPANISH/ITALIAN)	1	B
△	003	LYT2134-002A-M	INST BOOK	(DUTCH/PORTUGUESE/RUSSIAN/UKRAINIAN)	1	B
△	003	LYT2134-003A-M	INST BOOK	(DANISH/FINN/SWEDISH/NORWEGIAN)	1	B
△	003	LYT2134-004A-M	INST BOOK	(CZECH/POLISH/HUNGARIAN)	1	B
	012	YU30878	REGISTRATION CARD		1	A
	015	LYT0194-001B	Q.CARD		1	A
	021	-----	WARRANTY CARD	BT-54042-1	1	
	023	LY35208-001A	SHEET(E-SHOP)		1	A
	051	LY37265-020B	PACKING CASE		1	A
	051	LY37275-006B	PACKING CASE		1	B
	052	LY22135-001B	CUSHION		1	
	053	LY30023-054A	POLY BAG		1	
	061	QAM1264-001	A/V CABLE	FILTER,3.5 STEREO-RCA	1	
	063	QAM1156-001	USB CABLE	A TYPE-MINI B TYPE	1	
△	066	LY37325-001A	AC ADAPTER	AP-V30M	1	A
△	066	LY37324-001A	AC ADAPTER	AP-V30E	1	B
△	068	QMPP430-100-JD	POWER CORD	1m BLACK	1	A
	070	LY37166-003B	BATTERY PACK	BN-VG107UE	1	

MAIN BOARD ASSEMBLY <01>

PW1001	LYA10199-11D	MAIN BOARD ASSY		1	
IC82	NAL0084-001X	SHOCK SENSOR		1	
IC1001	MN103SD0QJA	IC(MICRO C ROM)		1	
IC1001 or	MN103SFD0RJA	IC(MICRO C ROM)		1	
IC1005	LE25LB643TT-X	IC		1	
IC1005 or	BR25S640FVJ-W-X	IC		1	
IC1006	S-35190A-G-X	IC		1	
IC1009	R5G05001N311N-X	IC(MCU)		1	
IC2101	AK4694EG-W	IC		1	
IC3001	JCY0243	IC		1	
IC3002	EDD51321DBH-6ET	IC		1	
IC3003	K8P6415UQB-012	IC(MICRO C ROM)		1	
IC3005	XC6213B312NG-X	IC		1	
IC3010	TPS2051BDBV-X	IC		1	
IC4201	R2J45026BG-X	IC		1	
IC4901	AN41905A-X	IC		1	
IC6001	UPD168852-W	IC		1	
Q421	PUMX1-W	PAIR TRANSISTOR		1	
Q421 or	RT3CLLM/EF/-X	TRANSISTOR		1	
Q421 or	XP4501-W	TRANSISTOR		1	
Q421 or	UMX1N-W	PAIR TRANSISTOR		1	
Q1002	RT1N441U-X	DIGI TRANSISTOR		1	
Q1002 or	UN9213J-X	DIGI TRANSISTOR		1	
Q1002 or	KRC404E-P-X	DIGI TRANSISTOR		1	
Q1002 or	DTC144EE-X	DIGI TRANSISTOR		1	
Q1002 or	DTC144EEB-X	DIGI TRANSISTOR		1	
Q1007	RT1N441U-X	DIGI TRANSISTOR		1	
Q1007 or	UN9213J-X	DIGI TRANSISTOR		1	
Q1007 or	KRC404E-P-X	DIGI TRANSISTOR		1	
Q1007 or	DTC144EE-X	DIGI TRANSISTOR		1	
Q1007 or	DTC144EEB-X	DIGI TRANSISTOR		1	
Q2402	2SC4617/RS/-X	TRANSISTOR		1	
Q2402 or	2SC5383/F/-X	TRANSISTOR		1	
Q2402 or	2SD2216J/RS/-X	TRANSISTOR		1	
Q2701	RT3CLLM/EF/-X	TRANSISTOR		1	
Q3001	DTA144EE-X	DIGI TRANSISTOR		1	
Q3001 or	RT1P441U-X	DIGI TRANSISTOR		1	
Q3001 or	UN9113J-X	DIGI TRANSISTOR		1	
Q3001 or	KRA304E-X	DIGI TRANSISTOR		1	
Q3001 or	DTA144EEB-X	DIGI TRANSISTOR		1	
Q3002	RT1N441U-X	DIGI TRANSISTOR		1	
Q3002 or	UN9213J-X	DIGI TRANSISTOR		1	
Q3002 or	KRC404E-P-X	DIGI TRANSISTOR		1	
Q3002 or	DTC144EE-X	DIGI TRANSISTOR		1	
Q3002 or	DTC144EEB-X	DIGI TRANSISTOR		1	
Q3003	SSM3K16FV-X	MOS FET		1	
Q4901	CPT-290S-C-X	PHOTO TRANSISTOR		1	
Q4902	2SC4617/RS/-X	TRANSISTOR		1	
Q4902 or	2SC5383/F/-X	TRANSISTOR		1	
Q4902 or	2SD2216J/RS/-X	TRANSISTOR		1	
Q6401	SSM3J304T-X	MOS FET		1	
Q6402	SSM3J108TU-X	POWER MOS FET		1	
Q6403	SSM3K302T-X	MOS FET		1	
Q6404	SSM3J304T-X	MOS FET		1	
Q6601	SSM6L39TU-X	MOS FET		1	
Q6605	UMX1N-W	PAIR TRANSISTOR		1	
Q6605 or	PUMX1-W	PAIR TRANSISTOR		1	
Q6605 or	XP4501-W	TRANSISTOR		1	
Q6605 or	KTC801U/G/-X	TRANSISTOR		1	
Q6605 or	RT3CLLM/EF/-X	TRANSISTOR		1	
Q6606	2SA1577/QR/-X	TRANSISTOR		1	
Q6701	SSM5G10TU-X	MOS FET		1	
D181	EMZ6.8N-X	Z DIODE		1	
D4201	1SS355-X	SI DIODE		1	
D4201 or	MA111-X	SI DIODE		1	
D4201 or	1SS355W-X	DIODE		1	
D4201 or	SDS511-X	SI DIODE		1	
D6001	MA111-X	SI DIODE		1	

MODEL	MARK	MODEL	MARK
GZ-MG750BEK	A	GZ-MG750BEU	B

Safe	Symbol No.	Parts No.	Parts Name	Description	QTY	Local
	D6001	or 1SS355W-X	DIODE		1	
	D6001	or SDS511-X	SI DIODE		1	
	D6001	or 1SS352-X	SI DIODE		1	
	D6101	MA2Z720-X	SB DIODE		1	
	D6102	MA2Z720-X	SB DIODE		1	
	D6201	MA2Z720-X	SB DIODE		1	
	D6202	MA2Z720-X	SB DIODE		1	
	D6301	MA2Z720-X	SB DIODE		1	
	D6302	MA2Z720-X	SB DIODE		1	
	D6401	MA22D23-X	SB DIODE		1	
	D6402	MA22D23-X	SB DIODE		1	
	D6403	MA22D23-X	SB DIODE		1	
	D6501	MA2Z720-X	SB DIODE		1	
	D6601	MA2Z720-X	SB DIODE		1	
	D6801	MA22D23-X	SB DIODE		1	
	C82	NCBA1AK-104W	C CAPACITOR	0.1uF 10V K	1	
	C112	NCBA1CK-103W	C CAPACITOR	0.01uF 16V K	1	
	C141	NCB20JK-475X	C CAPACITOR	4.7uF 6.3V K	1	
	C601	NCBA1AK-104W	C CAPACITOR	0.1uF 10V K	1	
	C1009	NCBA1AK-104W	C CAPACITOR	0.1uF 10V K	1	
	C1010	NCB20JK-106X	C CAPACITOR	10uF 6.3V K	1	
	C1011	NCBA1CK-103W	C CAPACITOR	0.01uF 16V K	1	
	C1012	NCBA1AK-104W	C CAPACITOR	0.1uF 10V K	1	
	C1013	NCB31CK-105X	C CAPACITOR	1uF 16V K	1	
	C1015	NCBA1AK-104W	C CAPACITOR	0.1uF 10V K	1	
	C1022	NCBA1CK-103W	C CAPACITOR	0.01uF 16V K	1	
	C1030	NCBA1AK-104W	C CAPACITOR	0.1uF 10V K	1	
	C1032	NCBA1AK-104W	C CAPACITOR	0.1uF 10V K	1	
	C1033	NCBA1AK-104W	C CAPACITOR	0.1uF 10V K	1	
	C1035	NCBA1AK-104W	C CAPACITOR	0.1uF 10V K	1	
	C1036	NCBA1AK-104W	C CAPACITOR	0.1uF 10V K	1	
	C1037	NCBA1AK-104W	C CAPACITOR	0.1uF 10V K	1	
	C1038	NCBA1AK-104W	C CAPACITOR	0.1uF 10V K	1	
	C1039	NCBA1AK-104W	C CAPACITOR	0.1uF 10V K	1	
	C1040	NCBA1AK-104W	C CAPACITOR	0.1uF 10V K	1	
	C1049	NCBA1AK-104W	C CAPACITOR	0.1uF 10V K	1	
	C2101	NCBA1CK-153W	C CAPACITOR	0.015uF 16V K	1	
	C2102	NCBA1CK-153W	C CAPACITOR	0.015uF 16V K	1	
	C2103	NCBA1CK-103W	C CAPACITOR	0.01uF 16V K	1	
	C2104	NCBA1CK-103W	C CAPACITOR	0.01uF 16V K	1	
	C2105	NCB31CK-105X	C CAPACITOR	1uF 16V K	1	
	C2106	NCB31CK-105X	C CAPACITOR	1uF 16V K	1	
	C2109	NCB31CK-105X	C CAPACITOR	1uF 16V K	1	
	C2402	NCB20JK-475X	C CAPACITOR	4.7uF 6.3V K	1	
	C2406	NCB31CK-105X	C CAPACITOR	1uF 16V K	1	
	C2407	NCB31CK-105X	C CAPACITOR	1uF 16V K	1	
	C2411	NCBA1CK-104W	C CAPACITOR	0.1uF 16V K	1	
	C2416	NCB20JK-106X	C CAPACITOR	10uF 6.3V K	1	
	C2418	NCB20JK-106X	C CAPACITOR	10uF 6.3V K	1	
	C2419	NCB20JK-106X	C CAPACITOR	10uF 6.3V K	1	
	C2601	NCBA1AK-104W	C CAPACITOR	0.1uF 10V K	1	
	C2602	NCBA1EK-682W	C CAPACITOR	6800pF 25V K	1	
	C2603	NCBA1CK-153W	C CAPACITOR	0.015uF 16V K	1	
	C2701	NCB31CK-105X	C CAPACITOR	1uF 16V K	1	
	C2702	NCB31CK-105X	C CAPACITOR	1uF 16V K	1	
	C3002	NCB20JK-475X	C CAPACITOR	4.7uF 6.3V K	1	
	C3005	NCB31CK-105X	C CAPACITOR	1uF 16V K	1	
	C3006	NCB20JK-475X	C CAPACITOR	4.7uF 6.3V K	1	
	C3007	NCB31CK-105X	C CAPACITOR	1uF 16V K	1	
	C3011	NCBA1CK-103W	C CAPACITOR	0.01uF 16V K	1	
	C3018	NCBA1AK-104W	C CAPACITOR	0.1uF 10V K	1	
	C3020	NCB20JK-475X	C CAPACITOR	4.7uF 6.3V K	1	
	C3021	NCBA1AK-104W	C CAPACITOR	0.1uF 10V K	1	
	C3023	NBE41AM-476X	TA E CAPACITOR	47uF 10V M	1	
	C3024	NCBA1AK-104W	C CAPACITOR	0.1uF 10V K	1	
	C3025	NCBA1AK-104W	C CAPACITOR	0.1uF 10V K	1	
	C3026	NDCA1HJ-101W	C CAPACITOR	100pF 50V J	1	
	C3027	NCBA1AK-104W	C CAPACITOR	0.1uF 10V K	1	
	C3028	NCBA1AK-104W	C CAPACITOR	0.1uF 10V K	1	
	C3031	NCB20JK-475X	C CAPACITOR	4.7uF 6.3V K	1	
	C3032	NCBA1AK-104W	C CAPACITOR	0.1uF 10V K	1	
	C3033	NRSA6AJ-0R0W	MG RESISTOR	0Ω 1/16W J	1	
	C3036	NRSA6AJ-0R0W	MG RESISTOR	0Ω 1/16W J	1	
	C3037	NCBA1CK-103W	C CAPACITOR	0.01uF 16V K	1	
	C3038	NCJAOJK-105W-U	C CAPACITOR	1uF 6.3V K	1	
	C3042	NDCA1HJ-101W	C CAPACITOR	100pF 50V J	1	
	C3043	NCBA1AK-104W	C CAPACITOR	0.1uF 10V K	1	
	C3045	NCB31CK-105X	C CAPACITOR	1uF 16V K	1	
	C3046	NCB20JK-106X	C CAPACITOR	10uF 6.3V K	1	
	C3048	NCBA1AK-104W	C CAPACITOR	0.1uF 10V K	1	
	C3051	NCBA1AK-104W	C CAPACITOR	0.1uF 10V K	1	
	C3701	NCB31CK-105X	C CAPACITOR	1uF 16V K	1	
	C3703	NCB31CK-105X	C CAPACITOR	1uF 16V K	1	
	C3708	NCB31CK-105X	C CAPACITOR	1uF 16V K	1	
	C3709	NCB31CK-105X	C CAPACITOR	1uF 16V K	1	
	C3710	NCB20JK-106X	C CAPACITOR	10uF 6.3V K	1	
	C4201	NCB21CK-475X	C CAPACITOR	4.7uF 16V K	1	
	C4202	NCB21CK-475X	C CAPACITOR	4.7uF 16V K	1	
	C4203	NCJ20JM-226X-R	C CAPACITOR	22uF 6.3V M	1	
	C4204	NCB20JK-106X	C CAPACITOR	10uF 6.3V K	1	
	C4206	NCB21EK-105X	C CAPACITOR	1uF 25V K	1	
	C4209	NCB31CK-104X	C CAPACITOR	0.1uF 16V K	1	

MODEL	MARK	MODEL	MARK
GZ-MG750BEK	A	GZ-MG750BEU	B

Safe	Symbol No.	Parts No.	Parts Name	Description	QTY	Local
	C4210	NCBA1HK-102W	C CAPACITOR	1000pF 50V K	1	
	C4211	NCBA1CK-103W	C CAPACITOR	0.01uF 16V K	1	
	C4214	NRSA6AJ-303W	MG RESISTOR	30kΩ 1/16W J	1	
	C4215	NCBA1AK-104W	C CAPACITOR	0.1uF 10V K	1	
	C4217	NCBA1AK-104W	C CAPACITOR	0.1uF 10V K	1	
	C4218	NCBA1AK-104W	C CAPACITOR	0.1uF 10V K	1	
	C4220	NCBA1AK-104W	C CAPACITOR	0.1uF 10V K	1	
	C4221	NCBA1AK-104W	C CAPACITOR	0.1uF 10V K	1	
	C4222	NCBA1AK-104W	C CAPACITOR	0.1uF 10V K	1	
	C4225	NCBA1AK-104W	C CAPACITOR	0.1uF 10V K	1	
	C4228	NDCA1HJ-8R0W	C CAPACITOR	8pF 50V J	1	
	C4229	NDCA1HJ-8R0W	C CAPACITOR	8pF 50V J	1	
	C4901	NCB20JK-106X	C CAPACITOR	10uF 6.3V K	1	
	C4902	NCB20JK-106X	C CAPACITOR	10uF 6.3V K	1	
	C4903	NCBA1AK-104W	C CAPACITOR	0.1uF 10V K	1	
	C4904	NDCA1HJ-101W	C CAPACITOR	100pF 50V J	1	
	C4905	NCBA1AK-104W	C CAPACITOR	0.1uF 10V K	1	
	C4906	NCBA1CK-103W	C CAPACITOR	0.01uF 16V K	1	
	C4907	NDCA1HJ-101W	C CAPACITOR	100pF 50V J	1	
	C4908	NCBA1AK-104W	C CAPACITOR	0.1uF 10V K	1	
	C4909	NCBA1AK-104W	C CAPACITOR	0.1uF 10V K	1	
	C4910	NCBA1HK-102W	C CAPACITOR	1000pF 50V K	1	
	C4916	NCB20JK-106X	C CAPACITOR	10uF 6.3V K	1	
	C4918	NCB20JK-106X	C CAPACITOR	10uF 6.3V K	1	
	C4921	NCB31CK-105X	C CAPACITOR	1uF 16V K	1	
	C6003	NCBA1AK-104W	C CAPACITOR	0.1uF 10V K	1	
	C6006	NCB31CK-104X	C CAPACITOR	0.1uF 16V K	1	
	C6007	NCJ30JM-106X-U	C CAPACITOR	10uF 6.3V M	1	
	C6008	NCB31CK-104X	C CAPACITOR	0.1uF 16V K	1	
	C6009	NCBA1HK-152W	C CAPACITOR	1500pF 50V K	1	
	C6010	NCBA1EK-821W	C CAPACITOR	820pF 25V K	1	
	C6011	NCB31CK-104X	C CAPACITOR	0.1uF 16V K	1	
	C6012	NCBA1HK-102W	C CAPACITOR	1000pF 50V K	1	
	C6015	NDCA1HJ-220W	C CAPACITOR	22pF 50V J	1	
	C6017	NDCA1HJ-220W	C CAPACITOR	22pF 50V J	1	
	C6019	NDCA1HJ-220W	C CAPACITOR	22pF 50V J	1	
	C6020	NDCA1HJ-220W	C CAPACITOR	22pF 50V J	1	
	C6021	NDCA1HJ-560W	C CAPACITOR	56pF 50V J	1	
	C6022	NDCA1HJ-390W	C CAPACITOR	39pF 50V J	1	
	C6023	NCB31CK-105X	C CAPACITOR	1uF 16V K	1	
	C6024	NCBA1AK-104W	C CAPACITOR	0.1uF 10V K	1	
	C6026	NCBA1HK-221W	C CAPACITOR	220pF 50V K	1	
	C6031	NCB20JK-106X	C CAPACITOR	10uF 6.3V K	1	
	C6032	NCB20JK-106X	C CAPACITOR	10uF 6.3V K	1	
	C6033	NCBA1HK-102W	C CAPACITOR	1000pF 50V K	1	
	C6101	NCJ20JM-226X-R	C CAPACITOR	22uF 6.3V M	1	
	C6102	NCB31CK-105X	C CAPACITOR	1uF 16V K	1	
	C6103	NCB31CK-105X	C CAPACITOR	1uF 16V K	1	
	C6201	NCJ20JM-226X-R	C CAPACITOR	22uF 6.3V M	1	
	C6202	NCB31CK-105X	C CAPACITOR	1uF 16V K	1	
	C6205	NBG20JM-226X	TA E CAPACITOR	22uF 6.3V M	1	
	C6301	NCJ20JM-226X-R	C CAPACITOR	22uF 6.3V M	1	
	C6302	NCB31CK-105X	C CAPACITOR	1uF 16V K	1	
	C6303	NBG20JM-226X	TA E CAPACITOR	22uF 6.3V M	1	
	C6401	NCJ20JM-226X-R	C CAPACITOR	22uF 6.3V M	1	
	C6403	NBG21AM-226X	TA E CAPACITOR	22uF 10V M	1	
	C6404	NCB20JK-106X	C CAPACITOR	10uF 6.3V K	1	
	C6501	NCJ20JM-226X-R	C CAPACITOR	22uF 6.3V M	1	
	C6502	NCB31CK-105X	C CAPACITOR	1uF 16V K	1	
	C6601	NCB11CK-475X	C CAPACITOR	4.7uF 16V K	1	
	C6602	NCB31CK-105X	C CAPACITOR	1uF 16V K	1	
	C6606	NCB31CK-105X	C CAPACITOR	1uF 16V K	1	
	C6701	NCB11AK-106X	C CAPACITOR	10uF 10V K	1	
	C6702	NCB31CK-105X	C CAPACITOR	1uF 16V K	1	
	C6801	NCB20JK-106X	C CAPACITOR	10uF 6.3V K	1	
	C6802	NCB31CK-105X	C CAPACITOR	1uF 16V K	1	
	C6803	NCB20JK-106X	C CAPACITOR	10uF 6.3V K	1	
	C7901	NCB31CK-104X	C CAPACITOR	0.1uF 16V K	1	
	C7902	NCB31CK-104X	C CAPACITOR	0.1uF 16V K	1	
	C7903	NCB31CK-104X	C CAPACITOR	0.1uF 16V K	1	
	C7904	NCB31CK-104X	C CAPACITOR	0.1uF 16V K	1	
	C7905	NCB21AK-225X	C CAPACITOR	2.2uF 10V K	1	
	C7906	NCB21AK-475X	C CAPACITOR	4.7uF 10V K	1	
	R102	NRSA6AJ-0R0W	MG RESISTOR	0Ω 1/16W J	1	
	R120	NRSA6AJ-0R0W	MG RESISTOR	0Ω 1/16W J	1	
	R142	NRSA6AJ-221W	MG RESISTOR	220Ω 1/16W J	1	
	R143	NRSA6AJ-473W	MG RESISTOR	47kΩ 1/16W J	1	
	R144	NRSA6AJ-473W	MG RESISTOR	47kΩ 1/16W J	1	
	R145	NRSA6AJ-473W	MG RESISTOR	47kΩ 1/16W J	1	
	R146	NRSA6AJ-473W	MG RESISTOR	47kΩ 1/16W J	1	
	R147	NRSA6AJ-103W	MG RESISTOR	10kΩ 1/16W J	1	
	R181	NRSA6AJ-682W	MG RESISTOR	6.8kΩ 1/16W J	1	
	R184	NRSA6AJ-104W	MG RESISTOR	100kΩ 1/16W J	1	
	R185	NRSA6AJ-104W	MG RESISTOR	100kΩ 1/16W J	1	
	R302	NRSA6AJ-473W	MG RESISTOR	47kΩ 1/16W J	1	
	R421	NRSA6AJ-332W	MG RESISTOR	3.3kΩ 1/16W J	1	
	R422	NRSA6AJ-220W	MG RESISTOR	22Ω 1/16W J	1	
	R423	NRSA6AJ-152W	MG RESISTOR	1.5kΩ 1/16W J	1	
	R1002	NRSA6AJ-331W	MG RESISTOR	330Ω 1/16W J	1	
	R1005	NRSA6AJ-102W	MG RESISTOR	1kΩ 1/16W J	1	
	R1007	NRSA6AJ-474W	MG RESISTOR	470kΩ 1/16W J	1	
	R1008	NRSA6AJ-183W	MG RESISTOR	18kΩ 1/16W J	1	
	R1009	NRSA6AJ-183W	MG RESISTOR	18kΩ 1/16W J	1	

MODEL	MARK	MODEL	MARK
GZ-MG750BEK	A	GZ-MG750BEU	B

Safe	Symbol No.	Parts No.	Parts Name	Description	QTY	Local
	R1011	NRSA6AD-103W	MG RESISTOR	10kΩ 1/16W D	1	
	R1013	NRSA6AJ-473W	MG RESISTOR	47kΩ 1/16W J	1	
	R1015	NRSA6AJ-473W	MG RESISTOR	47kΩ 1/16W J	1	
	R1017	NRSA6AJ-393W	MG RESISTOR	39kΩ 1/16W J	1	
	R1018	NRSA6AJ-474W	MG RESISTOR	470kΩ 1/16W J	1	
	R1025	NRSA6AJ-393W	MG RESISTOR	39kΩ 1/16W J	1	
	R1029	NRSA6AJ-224W	MG RESISTOR	220kΩ 1/16W J	1	
	R1030	NRSA6AJ-473W	MG RESISTOR	47kΩ 1/16W J	1	
	R1031	NRSA6AJ-332W	MG RESISTOR	3.3kΩ 1/16W J	1	
	R1033	NRSA6AJ-104W	MG RESISTOR	100kΩ 1/16W J	1	
	R1037	NRSA6AJ-473W	MG RESISTOR	47kΩ 1/16W J	1	
	R1038	NRSA6AJ-103W	MG RESISTOR	10kΩ 1/16W J	1	
	R1045	NRSA6AJ-102W	MG RESISTOR	1kΩ 1/16W J	1	
	R1047	NRSA6AJ-102W	MG RESISTOR	1kΩ 1/16W J	1	
	R1049	NRSA6AJ-102W	MG RESISTOR	1kΩ 1/16W J	1	
	R1052	NRSA6AJ-103W	MG RESISTOR	10kΩ 1/16W J	1	
	R1053	NRSA6AJ-104W	MG RESISTOR	100kΩ 1/16W J	1	
	R1054	NRSA6AJ-104W	MG RESISTOR	100kΩ 1/16W J	1	
	R1058	NRSA6AJ-102W	MG RESISTOR	1kΩ 1/16W J	1	
	R1061	NRSA6AJ-821W	MG RESISTOR	820Ω 1/16W J	1	
	R1063	NRSA6AJ-103W	MG RESISTOR	10kΩ 1/16W J	1	
	R1067	NRSA6AJ-332W	MG RESISTOR	3.3kΩ 1/16W J	1	
	R1069	NRSA6AJ-102W	MG RESISTOR	1kΩ 1/16W J	1	
	R1072	NRSA6AJ-103W	MG RESISTOR	10kΩ 1/16W J	1	
	R1076	NRSA6AJ-102W	MG RESISTOR	1kΩ 1/16W J	1	
	R1077	NRSA6AJ-102W	MG RESISTOR	1kΩ 1/16W J	1	
	R1079	NRSA6AJ-102W	MG RESISTOR	1kΩ 1/16W J	1	
	R1080	NRSA6AJ-102W	MG RESISTOR	1kΩ 1/16W J	1	
	R1083	NRSA6AJ-181W	MG RESISTOR	180Ω 1/16W J	1	
	R1086	NRSA6AJ-102W	MG RESISTOR	1kΩ 1/16W J	1	
	R1088	NRSA6AJ-102W	MG RESISTOR	1kΩ 1/16W J	1	
	R1091	NRSA6AJ-102W	MG RESISTOR	1kΩ 1/16W J	1	
	R1092	NRSA6AJ-473W	MG RESISTOR	47kΩ 1/16W J	1	
	R1094	NRSA6AJ-101W	MG RESISTOR	100Ω 1/16W J	1	
	R1095	NRSA6AJ-101W	MG RESISTOR	100Ω 1/16W J	1	
	R1096	NRSA6AJ-101W	MG RESISTOR	100Ω 1/16W J	1	
	R1097	NRSA6AJ-102W	MG RESISTOR	1kΩ 1/16W J	1	
	R1098	NRSA6AJ-102W	MG RESISTOR	1kΩ 1/16W J	1	
	R1106	NRSA6AJ-102W	MG RESISTOR	1kΩ 1/16W J	1	
	R1107	NRSA6AJ-101W	MG RESISTOR	100Ω 1/16W J	1	
	R1109	NRSA6AJ-102W	MG RESISTOR	1kΩ 1/16W J	1	
	R1110	NRSA6AJ-473W	MG RESISTOR	47kΩ 1/16W J	1	
	R1111	NRSA6AJ-102W	MG RESISTOR	1kΩ 1/16W J	1	
	R1112	NRSA6AJ-102W	MG RESISTOR	1kΩ 1/16W J	1	
	R1113	NRSA6AJ-102W	MG RESISTOR	1kΩ 1/16W J	1	
	R1117	NRSA6AJ-822W	MG RESISTOR	8.2kΩ 1/16W J	1	
	R1118	NRSA6AJ-101W	MG RESISTOR	100Ω 1/16W J	1	
	R1121	NRSA6AJ-101W	MG RESISTOR	100Ω 1/16W J	1	
	R1132	NRSA6AJ-102W	MG RESISTOR	1kΩ 1/16W J	1	
	R1133	NRSA6AJ-102W	MG RESISTOR	1kΩ 1/16W J	1	
	R2101	NRSA6AJ-222W	MG RESISTOR	2.2kΩ 1/16W J	1	
	R2102	NRSA6AJ-222W	MG RESISTOR	2.2kΩ 1/16W J	1	
	R2402	NRSA6AJ-0R0W	MG RESISTOR	0Ω 1/16W J	1	
	R2404	NRSA6AJ-100W	MG RESISTOR	10Ω 1/16W J	1	
	R2405	NRSA6AJ-472W	MG RESISTOR	4.7kΩ 1/16W J	1	
	R2406	NRSA6AJ-183W	MG RESISTOR	18kΩ 1/16W J	1	
	R2407	NRSA6AJ-223W	MG RESISTOR	22kΩ 1/16W J	1	
	R2412	NRSA6AJ-100W	MG RESISTOR	10Ω 1/16W J	1	
	R2418	NRSA6AJ-0R0W	MG RESISTOR	0Ω 1/16W J	1	
	R2420	NRSA6AJ-0R0W	MG RESISTOR	0Ω 1/16W J	1	
	R2421	NRSA6AJ-0R0W	MG RESISTOR	0Ω 1/16W J	1	
	R2425	NRSA6AJ-0R0W	MG RESISTOR	0Ω 1/16W J	1	
	R2601	NRSA6AJ-563W	MG RESISTOR	56kΩ 1/16W J	1	
	R2602	NRSA6AJ-682W	MG RESISTOR	6.8kΩ 1/16W J	1	
	R2603	NRSA6AJ-272W	MG RESISTOR	2.7kΩ 1/16W J	1	
	R2701	NRSA6AJ-821W	MG RESISTOR	820Ω 1/16W J	1	
	R2702	NRSA6AJ-821W	MG RESISTOR	820Ω 1/16W J	1	
	R2703	NRSA6AJ-564W	MG RESISTOR	560kΩ 1/16W J	1	
	R2704	NRSA6AJ-564W	MG RESISTOR	560kΩ 1/16W J	1	
	R2705	NRSA6AJ-332W	MG RESISTOR	3.3kΩ 1/16W J	1	
	R3001	NRSA6AJ-0R0W	MG RESISTOR	0Ω 1/16W J	1	
	R3002	NRSA6AJ-390W	MG RESISTOR	39Ω 1/16W J	1	
	R3003	NRSA6AJ-390W	MG RESISTOR	39Ω 1/16W J	1	
	R3006	NRSA6AJ-100W	MG RESISTOR	10Ω 1/16W J	1	
	R3007	NRSA6AJ-330W	MG RESISTOR	33Ω 1/16W J	1	
	R3008	NRSA6AJ-0R0W	MG RESISTOR	0Ω 1/16W J	1	
	R3009	NRSA6AD-682W	MG RESISTOR	6.8kΩ 1/16W D	1	
	R3010	NRSA6AD-103W	MG RESISTOR	10kΩ 1/16W D	1	
	R3011	NRSA6AJ-103W	MG RESISTOR	10kΩ 1/16W J	1	
	R3016	NRSA6AJ-473W	MG RESISTOR	47kΩ 1/16W J	1	
	R3019	NRSA6AJ-101W	MG RESISTOR	100Ω 1/16W J	1	
	R3020	NRSA6AJ-101W	MG RESISTOR	100Ω 1/16W J	1	
	R3022	NRSA6AJ-104W	MG RESISTOR	100kΩ 1/16W J	1	
	R3023	NRSA6AJ-122W	MG RESISTOR	1.2kΩ 1/16W J	1	
	R3024	NRSA6AJ-122W	MG RESISTOR	1.2kΩ 1/16W J	1	
	R3025	NRSA6AJ-122W	MG RESISTOR	1.2kΩ 1/16W J	1	
	R3026	NRSA63J-0R0X	MG RESISTOR	0Ω 1/10W J	1	
	R3032	NRSA6AD-682W	MG RESISTOR	6.8kΩ 1/16W D	1	
	R3033	NRSA6AD-393W	MG RESISTOR	39kΩ 1/16W D	1	
	R3034	NRSA6AJ-221W	MG RESISTOR	220Ω 1/16W J	1	
	R3035	NRSA6AJ-0R0W	MG RESISTOR	0Ω 1/16W J	1	
	R3036	NRSA6AD-681W	MG RESISTOR	680Ω 1/16W D	1	

MODEL	MARK	MODEL	MARK
GZ-MG750BEK	A	GZ-MG750BEU	B

Safe	Symbol No.	Parts No.	Parts Name	Description	QTY	Local
	R3037	NRSA6AD-222W	MG RESISTOR	2.2kΩ 1/16W D	1	
	R3038	NRSA6AD-222W	MG RESISTOR	2.2kΩ 1/16W D	1	
	R3039	NRSA6AD-222W	MG RESISTOR	2.2kΩ 1/16W D	1	
	R3040	NRSA6AJ-100W	MG RESISTOR	10Ω 1/16W J	1	
	R3041	NRSA6AJ-100W	MG RESISTOR	10Ω 1/16W J	1	
	R3047	NRSA6AJ-0R0W	MG RESISTOR	0Ω 1/16W J	1	
	R3051	NRSA6AJ-0R0W	MG RESISTOR	0Ω 1/16W J	1	
	R3055	NRSA6AJ-0R0W	MG RESISTOR	0Ω 1/16W J	1	
	R3056	NRSA6AJ-0R0W	MG RESISTOR	0Ω 1/16W J	1	
	R3057	NRSA6AJ-0R0W	MG RESISTOR	0Ω 1/16W J	1	
	R3058	NRSA6AJ-0R0W	MG RESISTOR	0Ω 1/16W J	1	
	R3059	NRSA6AJ-0R0W	MG RESISTOR	0Ω 1/16W J	1	
	R3060	NRSA6AJ-0R0W	MG RESISTOR	0Ω 1/16W J	1	
	R3070	NRSA6AD-123W	MG RESISTOR	12kΩ 1/16W D	1	
	R3072	NRSA6AJ-472W	MG RESISTOR	4.7kΩ 1/16W J	1	
	R3073	NRSA6AJ-103W	MG RESISTOR	10kΩ 1/16W J	1	
	R3074	NRSA6AJ-562W	MG RESISTOR	5.6kΩ 1/16W J	1	
	R3075	NRSA6AJ-102W	MG RESISTOR	1kΩ 1/16W J	1	
	R3078	NRSA6AJ-102W	MG RESISTOR	1kΩ 1/16W J	1	
	R3080	NRSA6AJ-472W	MG RESISTOR	4.7kΩ 1/16W J	1	
	R3081	NRSA6AJ-104W	MG RESISTOR	100kΩ 1/16W J	1	
	R3082	NRSA6AJ-104W	MG RESISTOR	100kΩ 1/16W J	1	
	R3083	NRSA6AJ-102W	MG RESISTOR	1kΩ 1/16W J	1	
	R3086	NRSA6AJ-0R0W	MG RESISTOR	0Ω 1/16W J	1	
	R3087	NRSA6AJ-104W	MG RESISTOR	100kΩ 1/16W J	1	
	R3093	NRSA6AJ-0R0W	MG RESISTOR	0Ω 1/16W J	1	
	R3097	NRSA63J-0R0X	MG RESISTOR	0Ω 1/10W J	1	
	R3705	NRSA6AD-750W	MG RESISTOR	75Ω 1/16W D	1	
	R3710	NRSA6AJ-0R0W	MG RESISTOR	0Ω 1/16W J	1	
	R4201	NRSA6AJ-104W	MG RESISTOR	100kΩ 1/16W J	1	
	R4202	NRSA6AJ-100W	MG RESISTOR	10Ω 1/16W J	1	
	R4203	NRSA6AJ-100W	MG RESISTOR	10Ω 1/16W J	1	
	R4204	NRSA6AJ-100W	MG RESISTOR	10Ω 1/16W J	1	
	R4205	NRSA6AJ-100W	MG RESISTOR	10Ω 1/16W J	1	
	R4206	NRSA6AJ-101W	MG RESISTOR	100Ω 1/16W J	1	
	R4208	NRSA6AJ-470W	MG RESISTOR	47Ω 1/16W J	1	
	R4209	NRSA6AJ-333W	MG RESISTOR	33kΩ 1/16W J	1	
	R4210	NRSA6AJ-330W	MG RESISTOR	33Ω 1/16W J	1	
	R4215	NRSA6AJ-391W	MG RESISTOR	390Ω 1/16W J	1	
	R4216	NRSA6AJ-391W	MG RESISTOR	390Ω 1/16W J	1	
	R4226	NRSA6AJ-121W	MG RESISTOR	120Ω 1/16W J	1	
	R4901	NRSA6AJ-103W	MG RESISTOR	10kΩ 1/16W J	1	
	R4902	NRSA6AJ-103W	MG RESISTOR	10kΩ 1/16W J	1	
	R4903	NRSA6AJ-103W	MG RESISTOR	10kΩ 1/16W J	1	
	R4906	NRSA6AJ-101W	MG RESISTOR	100Ω 1/16W J	1	
	R4909	NRSA6AJ-331W	MG RESISTOR	330Ω 1/16W J	1	
	R4910	NRSA6AJ-331W	MG RESISTOR	330Ω 1/16W J	1	
	R4911	NRSA6AJ-470W	MG RESISTOR	47Ω 1/16W J	1	
	R4913	NRSA6AJ-121W	MG RESISTOR	120Ω 1/16W J	1	
	R4914	NRSA6AJ-121W	MG RESISTOR	120Ω 1/16W J	1	
	R4922	NRSA6AJ-123W	MG RESISTOR	12kΩ 1/16W J	1	
	R4923	NRSA6AJ-123W	MG RESISTOR	12kΩ 1/16W J	1	
	R4924	NRSA6AJ-562W	MG RESISTOR	5.6kΩ 1/16W J	1	
	R4925	NRSA6AJ-122W	MG RESISTOR	1.2kΩ 1/16W J	1	
	R4926	NRSA6AJ-181W	MG RESISTOR	180Ω 1/16W J	1	
	R6002	NRSA6AJ-104W	MG RESISTOR	100kΩ 1/16W J	1	
	R6004	NRSA6AD-624W	MG RESISTOR	620kΩ 1/16W D	1	
	R6005	NRSA6AD-564W	MG RESISTOR	560kΩ 1/16W D	1	
	R6006	NRSA6AD-474W	MG RESISTOR	470kΩ 1/16W D	1	
	R6007	NRSA6AD-624W	MG RESISTOR	620kΩ 1/16W D	1	
	R6008	NRSA6AD-103W	MG RESISTOR	10kΩ 1/16W D	1	
	R6009	NRSA6AD-473W	MG RESISTOR	47kΩ 1/16W D	1	
	R6010	NRSA6AD-473W	MG RESISTOR	47kΩ 1/16W D	1	
	R6013	NRSA6AJ-101W	MG RESISTOR	100Ω 1/16W J	1	
	R6014	NRZ0072-R200X	MG RESISTOR	0.2Ω 1/4W F	1	
	R6015	NRSA6AJ-104W	MG RESISTOR	100kΩ 1/16W J	1	
	R6017	NRSA6AJ-105W	MG RESISTOR	1MΩ 1/16W J	1	
	R6019	NRSA6AJ-102W	MG RESISTOR	1kΩ 1/16W J	1	
	R6101	NRSA6AD-334W	MG RESISTOR	330kΩ 1/16W D	1	
	R6102	NRSA6AD-224W	MG RESISTOR	220kΩ 1/16W D	1	
	R6105	NRSA6AD-334W	MG RESISTOR	330kΩ 1/16W D	1	
	R6108	NRSA6AJ-273W	MG RESISTOR	27kΩ 1/16W J	1	
	R6201	NRSA6AD-334W	MG RESISTOR	330kΩ 1/16W D	1	
	R6202	NRSA6AD-224W	MG RESISTOR	220kΩ 1/16W D	1	
	R6203	NRSA6AD-334W	MG RESISTOR	330kΩ 1/16W D	1	
	R6204	NRSA6AJ-0R0W	MG RESISTOR	0Ω 1/16W J	1	
	R6205	NRSA63J-0R0X	MG RESISTOR	0Ω 1/10W J	1	
	R6206	NRSA63J-0R0X	MG RESISTOR	0Ω 1/10W J	1	
	R6301	NRSA6AD-334W	MG RESISTOR	330kΩ 1/16W D	1	
	R6302	NRSA6AD-124W	MG RESISTOR	120kΩ 1/16W D	1	
	R6303	NRSA6AJ-305W	MG RESISTOR	3MΩ 1/16W J	1	
	R6304	NRSA6AJ-0R0W	MG RESISTOR	0Ω 1/16W J	1	
	R6401	NRSA6AD-224W	MG RESISTOR	220kΩ 1/16W D	1	
	R6402	NRSA6AD-683W	MG RESISTOR	68kΩ 1/16W D	1	
	R6404	NRSA6AJ-333W	MG RESISTOR	33kΩ 1/16W J	1	
	R6405	NRSA6AJ-0R0W	MG RESISTOR	0Ω 1/16W J	1	
	R6408	NRSA63J-0R0X	MG RESISTOR	0Ω 1/10W J	1	
	R6409	NRSA6AJ-563W	MG RESISTOR	56kΩ 1/16W J	1	
	R6410	NRSA63J-0R0X	MG RESISTOR	0Ω 1/10W J	1	
	R6411	NRSA63J-0R0X	MG RESISTOR	0Ω 1/10W J	1	
	R6412	NRSA6AJ-222W	MG RESISTOR	2.2kΩ 1/16W J	1	
	R6414	NRSA6AD-134W	MG RESISTOR	130kΩ 1/16W D	1	
	R6415	NRSA6AJ-914W	MG RESISTOR	910kΩ 1/16W J	1	

MODEL	MARK	MODEL	MARK
GZ-MG750BEK	A	GZ-MG750BEU	B

Safe	Symbol No.	Parts No.	Parts Name	Description	QTY	Local
	R6501	NRSA6AD-303W	MG RESISTOR	30kΩ 1/16W D	1	
	R6502	NRSA6AD-563W	MG RESISTOR	56kΩ 1/16W D	1	
	R6503	NRSA6AJ-0R0W	MG RESISTOR	0Ω 1/16W J	1	
	R6504	NRSA6AD-433W	MG RESISTOR	43kΩ 1/16W D	1	
	R6601	NRSA6AD-114W	MG RESISTOR	110kΩ 1/16W D	1	
	R6602	NRSA6AD-113W	MG RESISTOR	11kΩ 1/16W D	1	
	R6605	NRSA6AJ-474W	MG RESISTOR	470kΩ 1/16W J	1	
	R6606	NRSA6AJ-0R0W	MG RESISTOR	0Ω 1/16W J	1	
	R6607	NRSA6AD-124W	MG RESISTOR	120kΩ 1/16W D	1	
	R6612	NRSA6AD-393W	MG RESISTOR	39kΩ 1/16W D	1	
	R6613	NRSA6AD-363W	MG RESISTOR	36kΩ 1/16W D	1	
	R6614	NRSA6AD-473W	MG RESISTOR	47kΩ 1/16W D	1	
	R6615	NRSA6AJ-273W	MG RESISTOR	27kΩ 1/16W J	1	
	R6616	NRSA6AJ-822W	MG RESISTOR	8.2kΩ 1/16W J	1	
	R6701	NRSA6AD-514W	MG RESISTOR	510kΩ 1/16W D	1	
	R6702	NRSA6AJ-223W	MG RESISTOR	22kΩ 1/16W J	1	
	R6703	NRSA6AD-683W	MG RESISTOR	68kΩ 1/16W D	1	
	R6705	NRSA6AJ-103W	MG RESISTOR	10kΩ 1/16W J	1	
	R6801	NRSA6AD-163W	MG RESISTOR	16kΩ 1/16W D	1	
	R6802	NRSA6AD-154W	MG RESISTOR	150kΩ 1/16W D	1	
	R6803	NRSA6AJ-0R0W	MG RESISTOR	0Ω 1/16W J	1	
	R6804	NRSA6AD-823W	MG RESISTOR	82kΩ 1/16W D	1	
	R6901	NRSA6AJ-0R0W	MG RESISTOR	0Ω 1/16W J	1	
	R7904	NRSA6AJ-104W	MG RESISTOR	100kΩ 1/16W J	1	
	RA1001	NRB04CJ-104W	NET RESISTOR	100kΩ J	1	
	RA1002	NRB04CJ-223W	NET RESISTOR	22kΩ J	1	
	RA1003	NRB04CJ-102W	NET RESISTOR	1kΩ J	1	
	RA1004	NRB04CJ-102W	NET RESISTOR	1kΩ J	1	
	RA1005	NRB04CJ-102W	NET RESISTOR	1kΩ J	1	
	RA3001	NRB04CJ-104W	NET RESISTOR	100kΩ J	1	
	RA3005	NRB04CJ-0R0W	NET RESISTOR	0Ω J	1	
	RA3006	NRB04CJ-0R0W	NET RESISTOR	0Ω J	1	
	RA3007	NRB04CJ-0R0W	NET RESISTOR	0Ω J	1	
	RA3008	NRB04CJ-221W	NET RESISTOR	220Ω J	1	
	RA3009	NRB04CJ-0R0W	NET RESISTOR	0Ω J	1	
	RA3010	NRB04CJ-0R0W	NET RESISTOR	0Ω J	1	
	L111	NRSA02J-0R0X	MG RESISTOR	0Ω 1/10W J	1	
	L141	NQR0499-001X	FERRITE BEADS		1	
	L1002	NQL38DK-100X	P COIL	10uH K	1	
	L1003	NQR0599-003X	FERRITE BEADS		1	
	L2404	NQLC32M-100X	COIL	10uH M	1	
	L2406	NQLC32M-100X	COIL	10uH M	1	
	L2407	NQLC32M-100X	COIL	10uH M	1	
	L3001	NQR0573-005X	FERRITE BEADS		1	
	L3003	NQR0573-005X	FERRITE BEADS		1	
	L3004	NQR0573-005X	FERRITE BEADS		1	
	L3005	NQR0573-005X	FERRITE BEADS		1	
	L3006	NRSA6AJ-0R0W	MG RESISTOR	0Ω 1/16W J	1	
	L3008	NQR0573-005X	FERRITE BEADS		1	
	L3009	NQR0603-001X	EMI FILTER		1	
	L3011	NQR0573-005X	FERRITE BEADS		1	
	L4201	NQLJ72M-100X	COIL	10uH M	1	
	L4202	NQLJ72M-100X	COIL	10uH M	1	
	L4203	NQR0599-003X	FERRITE BEADS		1	
	L4204	NQR0599-003X	FERRITE BEADS		1	
	L6101	NQLH8GM-100X	COIL	10uH M	1	
	L6201	NQLJ5EM-100X	P COIL	10uH M	1	
	L6301	NQLJ5EM-4R7X	P COIL	4.7uH M	1	
	L6401	NQLH7EN-4R7X	COIL	4.7uH N	1	
	L6501	NQLJ5EM-4R7X	P COIL	4.7uH M	1	
	L6601	NQLH5EM-2R2X	COIL	2.2uH M	1	
	L6701	NQLH5EM-2R2X	COIL	2.2uH M	1	
	L6801	NQLG4EM-4R7X	COIL	4.7uH M	1	
	CN101	QGF0309F2-29X	CONNECTOR	FFC/FPC (1-29)	1	
	CN102	QGF0528F4-40X	CONNECTOR	FFC/FPC (1-40)	1	
	CN103	QGF0534F2-50X	CONNECTOR	FFC/FPC (1-50)	1	
	CN104	QGF0534F3-06X	CONNECTOR	FFC/FPC (1-6)	1	
	CN104 or	QGF0534F2-06X	CONNECTOR	FFC/FPC (1-6)	1	B
	CN106	QGF0543F3-25X	CONNECTOR	FFC/FPC (1-25)	1	
	CN110	QGB0519J1-20X	CONNECTOR	B-B (1-20)	1	
	CN112	NNZ0237-001X	MICRO SD CONNE		1	
	CN115	QGF0543F3-08X	CONNECTOR	FFC/FPC (1-8)	1	
	CN211	QGF0543F3-06X	CONNECTOR	FFC/FPC (1-6)	1	
	CN281	QGA1001F1-02X	CONNECTOR	W-B (1-2)	1	
	CN4201	QGF0543F3-22X	CONNECTOR	FFC/FPC (1-22)	1	
	F6401	NRSA63J-0R0X	MG RESISTOR	0Ω 1/10W J	1	
	F6601	NRSA63J-0R0X	MG RESISTOR	0Ω 1/10W J	1	
	K81	NQR0599-003X	FERRITE BEADS		1	
	K4901	NQR0599-004X	FERRITE BEADS		1	
	K4902	NQR0573-005X	FERRITE BEADS		1	
	K4903	NQR0573-005X	FERRITE BEADS		1	
	S101	NSW0322-001X	LEVER SWITCH		1	
	TP6	NNZ0194-001X	EARTH TERMINAL		1	
	TP7	NNZ0194-001X	EARTH TERMINAL		1	
	X1001	NAX1071-001X	C RESONATOR		1	
	X1002	NAX0950-001X	CRYSTAL	32.768KHz	1	
	X3001	NAX1023-001X	C RESONATOR	48.000MHz	1	
	X4202	NAX1055-001X	CRYSTAL	27.000000MHz	1	
CCD BOARD ASSEMBLY <02>						
	PW5001	LYA10152-02A	CCD BOARD ASSY		1	
	Q5001	2SC5345U/Y/-X	TRANSISTOR		1	

MODEL	MARK	MODEL	MARK
GZ-MG750BEK	A	GZ-MG750BEU	B

Safe	Symbol No.	Parts No.	Parts Name	Description	QTY	Local
	Q5001	or 2SC3931/CD/-X	TRANSISTOR		1	
	Q5001	or 2SC4265/JC07-X	TRANSISTOR		1	
	C5001	NCB21CK-475X	C CAPACITOR	4.7uF 16V K	1	
	C5005	NCB31HK-104X	C CAPACITOR	0.1uF 50V K	1	
	C5006	NCB31CK-104X	C CAPACITOR	0.1uF 16V K	1	
	C5007	NCB31HK-222X	C CAPACITOR	2200pF 50V K	1	
	R5001	NRSA63J-472X	MG RESISTOR	4.7kΩ 1/16W J	1	
	R5004	NRSA63J-0R0X	MG RESISTOR	0Ω 1/10W J	1	
	L5001	NRSA02J-0R0X	MG RESISTOR	0Ω 1/10W J	1	
	L5002	NRSA02J-0R0X	MG RESISTOR	0Ω 1/10W J	1	
	CN5001	QGF0543F3-22X	CONNECTOR	FFC/FPC (1-22)	1	
SENSOR BOARD ASSEMBLY <03>						
	PW351	LYA10205-01D2	SENSOR BOARD ASSY		1	
	CN351	QGF0549C2-10W	CONNECTOR	FFC/FPC (1-10)	1	
REAR BOARD ASSEMBLY <05>						
	PW601	LYA10204-02B	REAR BOARD ASSY		1	
	IC601	R1100D331C-X	IC		1	
	Q601	TPCP8302-X	MOS FET ARRAY		1	
	D601	RKZ6.8B2KG-X	Z DIODE		1	
	D602	MA8100-X	Z DIODE		1	
	D602	or UDZW10B-X	Z DIODE		1	
	D604	MA8068-X	Z DIODE		1	
	D604	or UDZW6.8B-X	Z DIODE		1	
	D606	RB751V-40-X	SB DIODE		1	
	D608	RB715W-X	SB DIODE		1	
	D611	LNJ353W83-X	LED		1	
	D612	LHQ974/LM/-X	LED		1	
	D613	MA8068-X	Z DIODE		1	
	D613	or UDZW6.8B-X	Z DIODE		1	
	C603	NCB31HK-102X	C CAPACITOR	1000pF 50V K	1	
	C604	NCB31HK-102X	C CAPACITOR	1000pF 50V K	1	
	C606	NCB31CK-104X	C CAPACITOR	0.1uF 16V K	1	
	C607	NCB31CK-104X	C CAPACITOR	0.1uF 16V K	1	
	C608	NCB31CK-104X	C CAPACITOR	0.1uF 16V K	1	
	C609	NCB31CK-105X	C CAPACITOR	1uF 16V K	1	
	C610	NCB31CK-105X	C CAPACITOR	1uF 16V K	1	
	R601	NRSA63J-101X	MG RESISTOR	100Ω 1/16W J	1	
	R602	NRSA63J-101X	MG RESISTOR	100Ω 1/16W J	1	
	R603	NRSA63J-0R0X	MG RESISTOR	0Ω 1/10W J	1	
	R604	NRSA63J-0R0X	MG RESISTOR	0Ω 1/10W J	1	
△	R606	NRSA63J-471X	MG RESISTOR	470Ω 1/16W J	1	
△	R607	NRSA63J-0R0X	MG RESISTOR	0Ω 1/10W J	1	
△	R609	NRSA63J-0R0X	MG RESISTOR	0Ω 1/10W J	1	
	R611	NRSA63J-0R0X	MG RESISTOR	0Ω 1/10W J	1	
	R612	NRSA63J-0R0X	MG RESISTOR	0Ω 1/10W J	1	
	R693	NRSA63J-682X	MG RESISTOR	6.8kΩ 1/16W J	1	
	R694	NRSA63J-153X	MG RESISTOR	15kΩ 1/16W J	1	
	L601	NRSA63J-0R0X	MG RESISTOR	0Ω 1/10W J	1	
	L602	NQR0251-004X	FERRITE BEADS		1	
	L603	NQR0251-004X	FERRITE BEADS		1	
	BT601	QNA0053-001	EXT BATT JACK		1	
△	BT602	QAB0040-001	LITHIUM BATTERY		1	
	CN601	QGF0566C1-50X	CONNECTOR	FFC/FPC (1-50)	1	
△	F601	NMFZ007-2R5X-K	FUSE	2.5A 24V	1	
△	F602	NMFZ007-2R5X-K	FUSE	2.5A 24V	1	
	J601	QNS0287-001	3.5 JACK		1	
	J602	QNA0054-001	DC JACK		1	
	J611	QNZ1008-001	USB CONNECTOR		1	
	S691	NSW0323-001X	TACT SWITCH		1	
	S692	NSW0323-001X	TACT SWITCH		1	
	S693	NSW0323-001X	TACT SWITCH		1	
	S694	NSW0323-001X	TACT SWITCH		1	
MONITOR BOARD ASSEMBLY <06>						
	PW701	LYA10205-01D1	MONITOR BOARD ASSY		1	
	IC301	CP7229AT-X	IC		1	
	IC701	HGDESN031A-X	IC		1	
	Q7701	2SC4617/QR/-X	TRANSISTOR		1	
	Q7701	or 2SC5383/E/-X	TRANSISTOR		1	
	Q7701	or 2SD2216J/QR/-X	TRANSISTOR		1	
	Q7702	UMX1N-W	PAIR TRANSISTOR		1	
	Q7702	or KTC801U/G/-X	TRANSISTOR		1	
	Q7702	or RT3CLLM/EF/-X	TRANSISTOR		1	
	Q7702	or XP4501-W	TRANSISTOR		1	
	Q7702	or PUMX1-W	PAIR TRANSISTOR		1	
	Q7703	UMX1N-W	PAIR TRANSISTOR		1	
	Q7703	or KTC801U/G/-X	TRANSISTOR		1	
	Q7703	or RT3CLLM/EF/-X	TRANSISTOR		1	
	Q7703	or XP4501-W	TRANSISTOR		1	
	Q7703	or PUMX1-W	PAIR TRANSISTOR		1	
	D301	QSMR-C13G-X	LED		1	
	D302	QSMR-C13G-X	LED		1	
	D303	QSMR-C13G-X	LED		1	
	D304	QSMR-C13G-X	LED		1	
	D7301	RKZ5.1B2KG-X	Z DIODE		1	
	D7701	NESW006/T386-X	E CAPACITOR		1	
	D7702	NESW006/T386-X	E CAPACITOR		1	
	D7703	NESW006/T386-X	E CAPACITOR		1	
	D7704	NESW006/T386-X	E CAPACITOR		1	
	C301	NCB30JK-105X	C CAPACITOR	1uF 6.3V K	1	
	C304	NCDC31HJ-102X	C CAPACITOR	1000pF 50V J	1	
	C7302	NCB31CK-104X	C CAPACITOR	0.1uF 16V K	1	
	C7303	NCB31CK-104X	C CAPACITOR	0.1uF 16V K	1	

MODEL	MARK	MODEL	MARK
GZ-MG750BEK	A	GZ-MG750BEU	B

Safe	Symbol No.	Parts No.	Parts Name	Description	QTY	Local
	C7306	NCB31CK-105X	C CAPACITOR	1uF 16V K	1	
	C7307	NCB21CK-105X	C CAPACITOR	1uF 16V K	1	
	C7308	NCB21CK-105X	C CAPACITOR	1uF 16V K	1	
	C7309	NCB21CK-105X	C CAPACITOR	1uF 16V K	1	
	C7701	NCB31CK-105X	C CAPACITOR	1uF 16V K	1	
	R301	NRSA63J-391X	MG RESISTOR	390Ω 1/16W J	1	
	R302	NRSA63J-391X	MG RESISTOR	390Ω 1/16W J	1	
	R303	NRSA63J-391X	MG RESISTOR	390Ω 1/16W J	1	
	R304	NRSA63J-391X	MG RESISTOR	390Ω 1/16W J	1	
	R305	NRSA63J-471X	MG RESISTOR	470Ω 1/16W J	1	
	R306	NRSA63J-0R0X	MG RESISTOR	0Ω 1/10W J	1	
	R307	NRSA63J-0R0X	MG RESISTOR	0Ω 1/10W J	1	
	R308	NRSA63J-0R0X	MG RESISTOR	0Ω 1/10W J	1	
	R309	NRSA63J-104X	MG RESISTOR	100kΩ 1/16W J	1	
	R7303	NRSA63J-222X	MG RESISTOR	2.2kΩ 1/16W J	1	
	R7304	NRSA63J-182X	MG RESISTOR	1.8kΩ 1/16W J	1	
	R7305	NRSA63J-105X	MG RESISTOR	1MΩ 1/16W J	1	
	R7306	NRSA63J-473X	MG RESISTOR	47kΩ 1/16W J	1	
	R7307	NRSA63J-473X	MG RESISTOR	47kΩ 1/16W J	1	
	R7308	NRSA63J-473X	MG RESISTOR	47kΩ 1/16W J	1	
	R7315	NRSA63J-0R0X	MG RESISTOR	0Ω 1/10W J	1	
	R7702	NRSA63D-561X	MG RESISTOR	560Ω 1/16W D	1	
	R7703	NRSA63D-240X	MG RESISTOR	24Ω 1/16W D	1	
	R7704	NRSA63D-240X	MG RESISTOR	24Ω 1/16W D	1	
	R7705	NRSA63D-240X	MG RESISTOR	24Ω 1/16W D	1	
	R7706	NRSA63D-240X	MG RESISTOR	24Ω 1/16W D	1	
	L303	NQL382M-100X	COIL	10uH M	1	
	L7701	NRSA63J-0R0X	MG RESISTOR	0Ω 1/10W J	1	
	CN301	QGF0534F2-10X	CONNECTOR	FFC/FPC (1-10)	1	
	CN701	QGF0534F2-24X	CONNECTOR	FFC/FPC (1-24)	1	
	CN703	QGF0534F2-28X	CONNECTOR	FFC/FPC (1-28)	1	