

PARTS LIST

SAFETY PRECAUTION

Parts identified by the \triangle symbol are critical for safety. Replace only with specified part numbers.

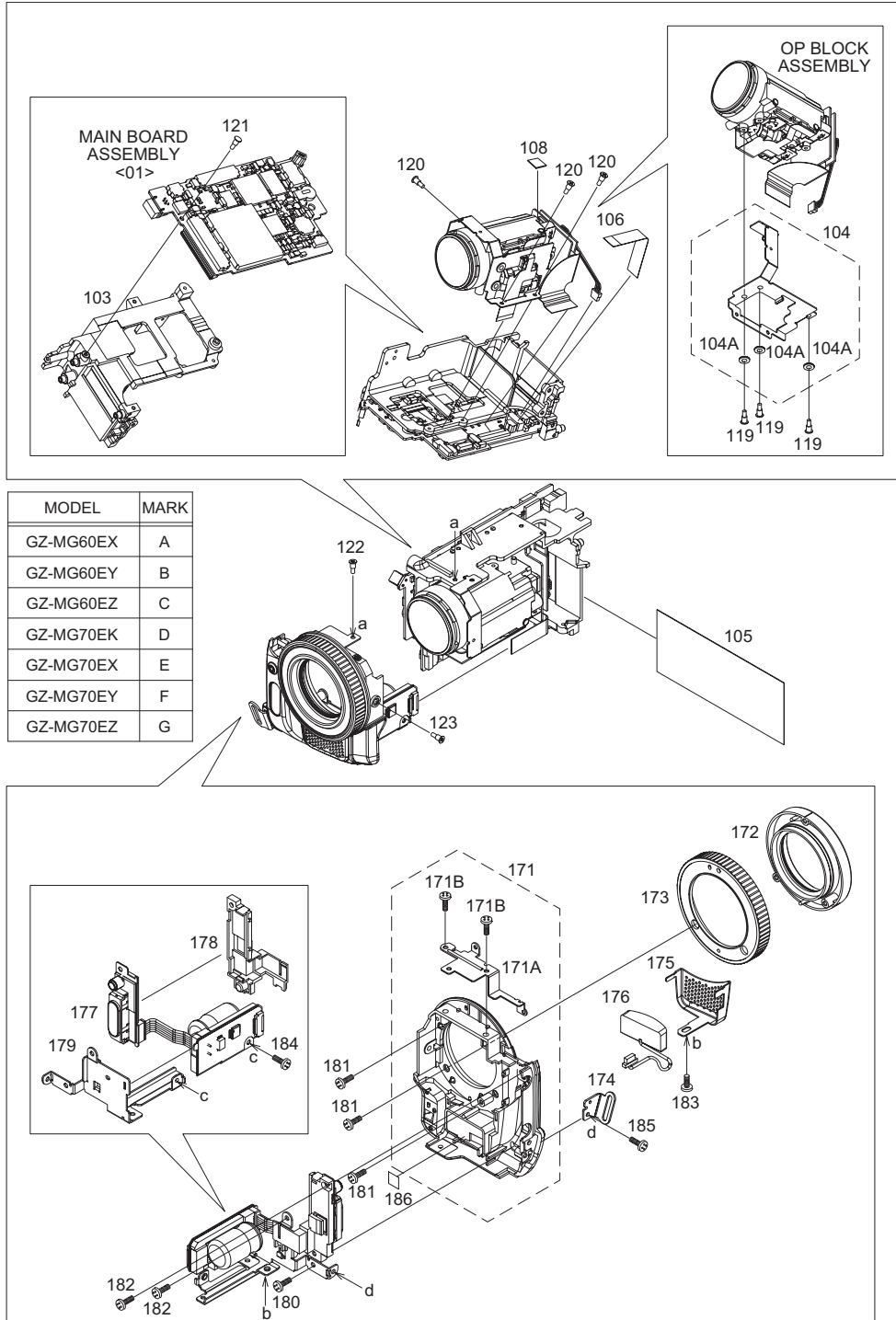
BEWARE OF BOGUS PARTS

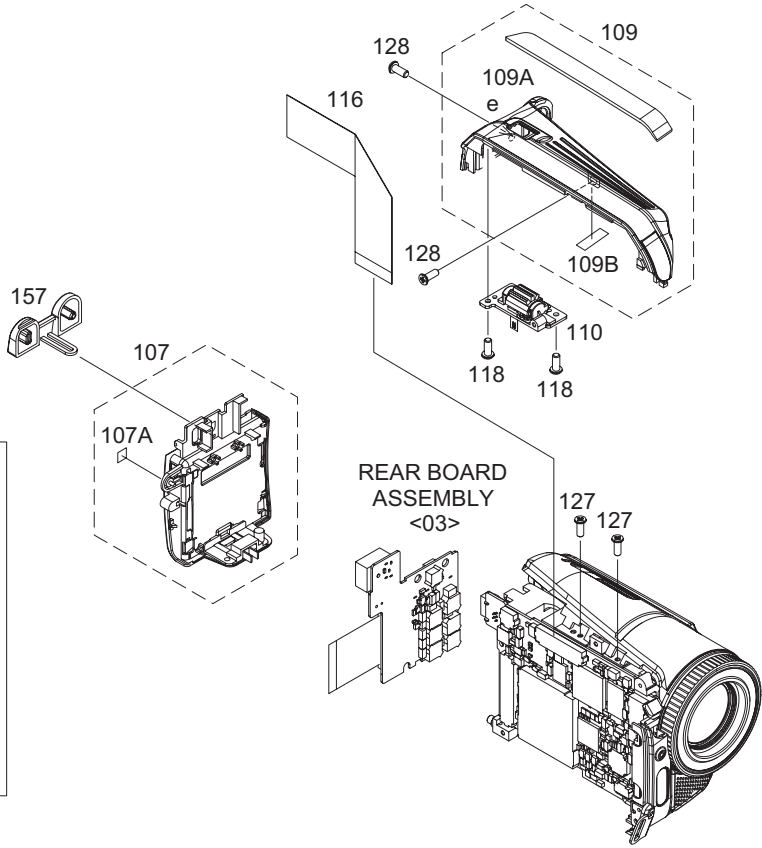
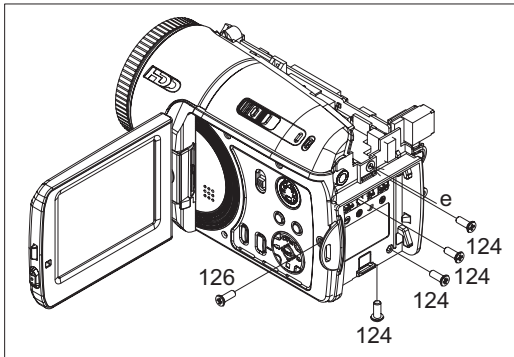
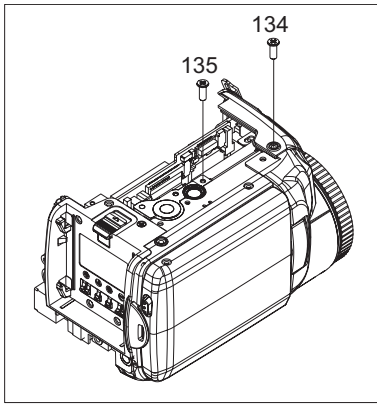
Parts that do not meet specifications may cause trouble in regard to safety and performance. We recommend that genuine JVC parts be used.

1. EXPLODED VIEW

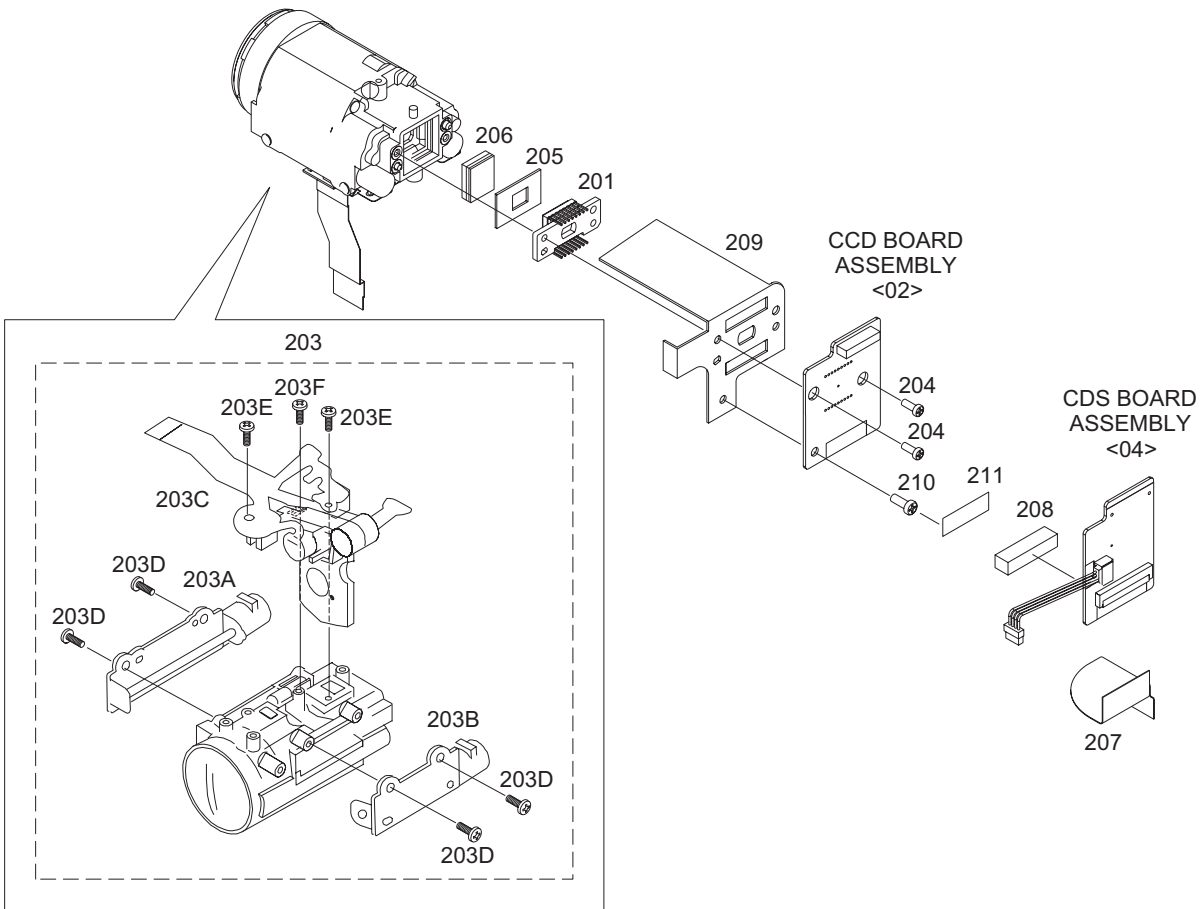
1.1 FINAL ASSEMBLY<M1>

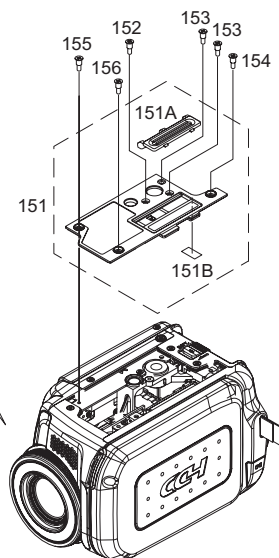
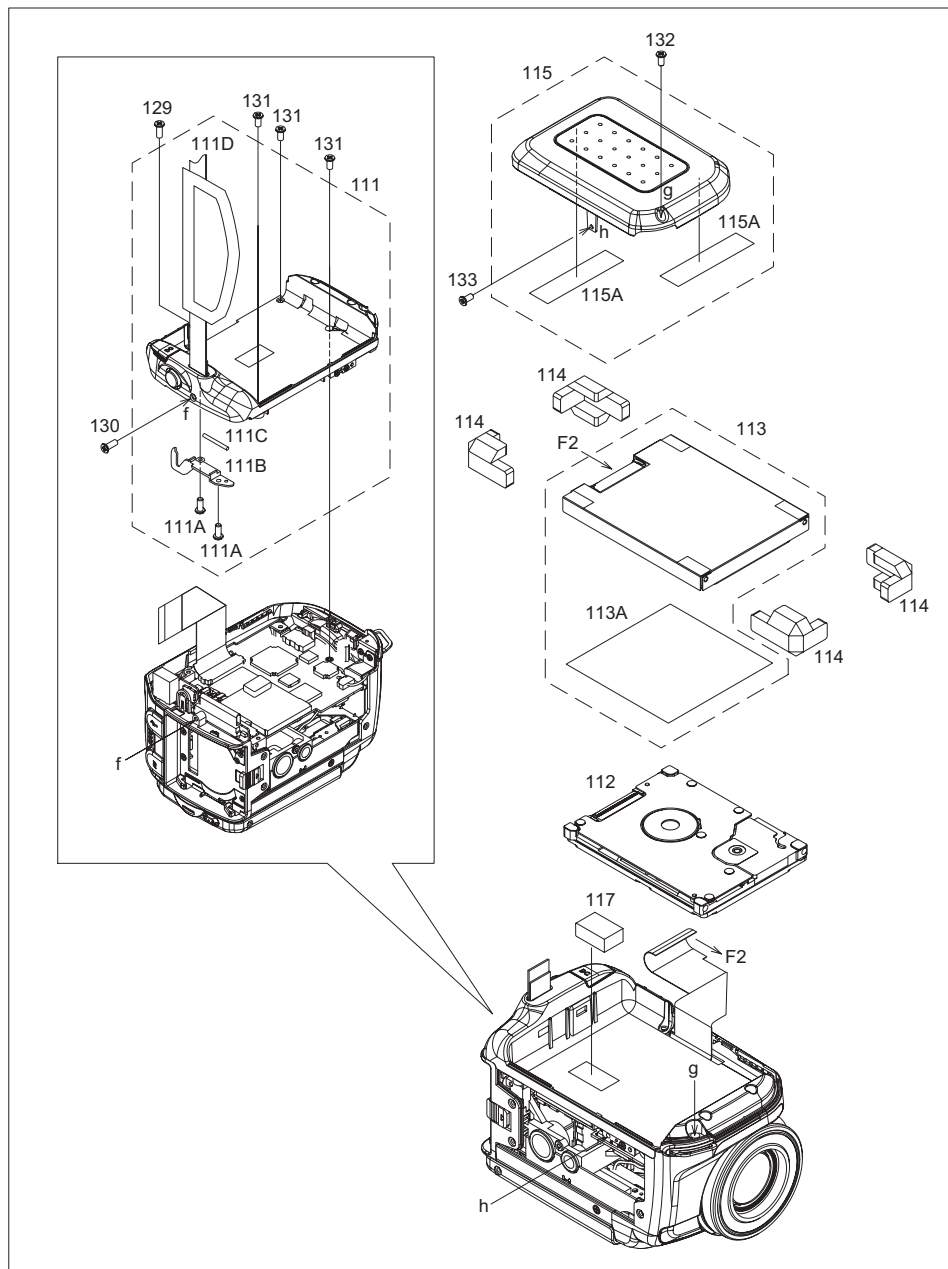
The instruction manual to be provided with this product will differ according to the destination.

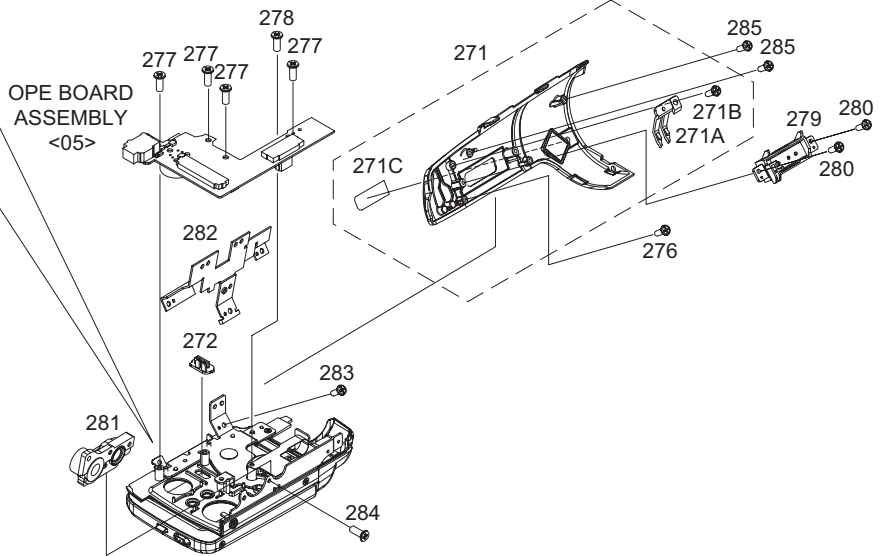
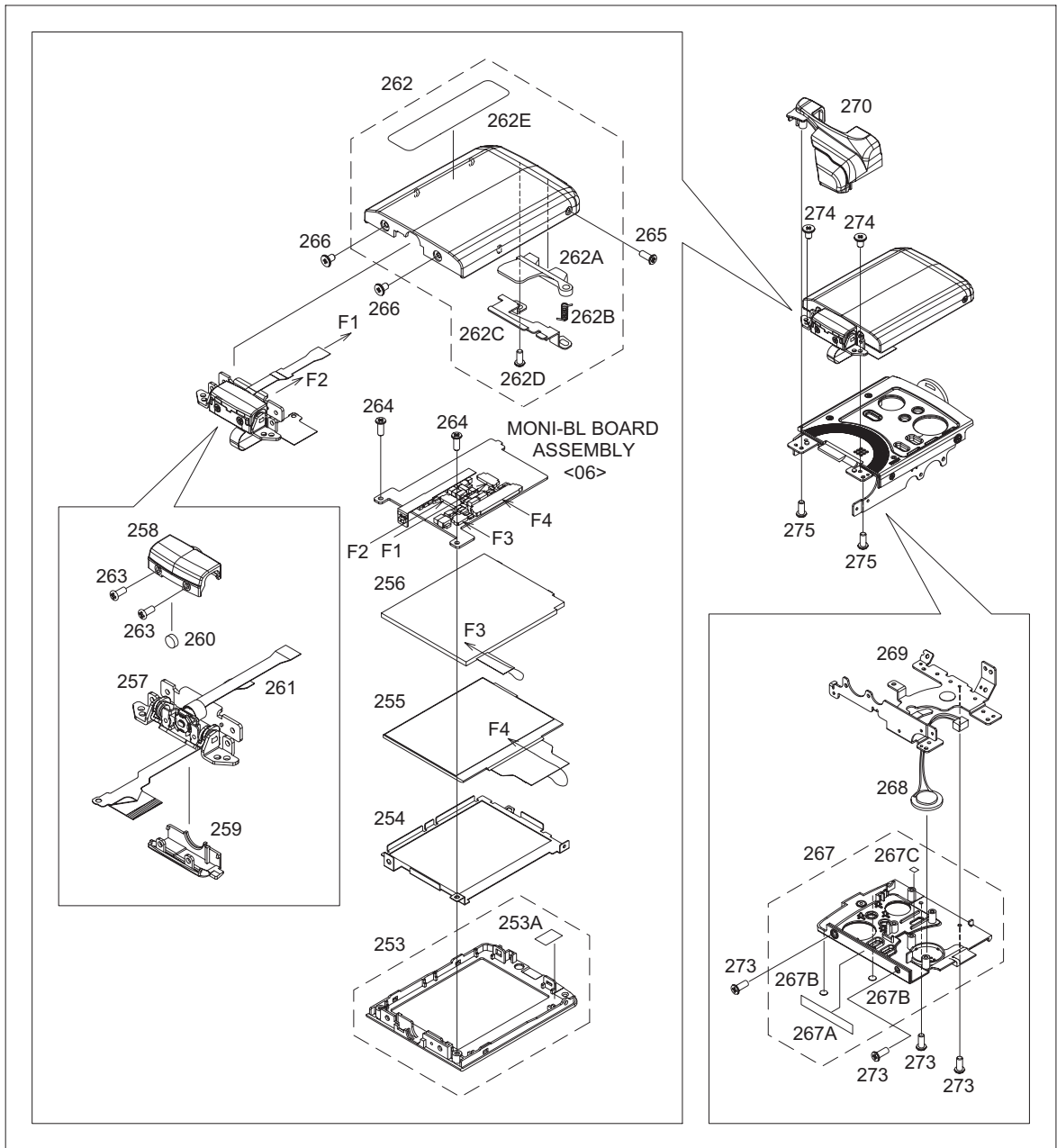




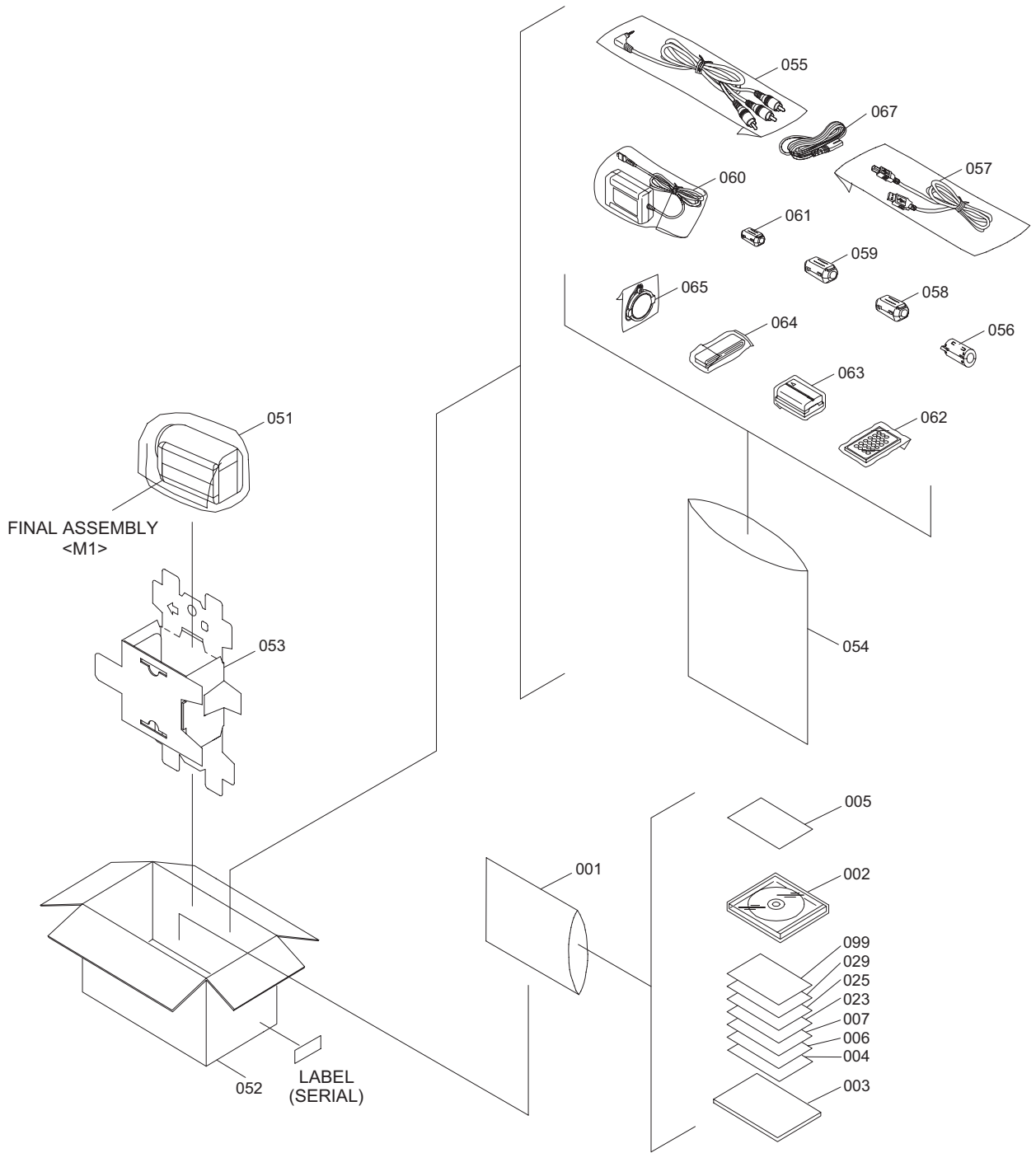
OP BLOCK ASSEMBLY







1.2 PACKING AND ACCESSORY ASSEMBLY <M5>



MODEL	MARK	MODEL	MARK	MODEL	MARK
GZ-MG60EX	A	GZ-MG70EK	D	GZ-MG70EZ	G
GZ-MG60EY	B	GZ-MG70EX	E		
GZ-MG60EZ	C	GZ-MG70EY	F		

2. PARTS LIST

FINAL ASSEMBLY <M1>

Symbol No.	Part No.	Part Name	Description	Local
103	LY10596-001A	FRM		
104	LY35037-001A	BKT(OP) ASSY		
104A	LY42796-001A	BUSH	(x3)	
105	WJT0193-001A-E	E-CARD WIRE	OPE-MAIN	
106	QUQ105-1404AA-E	FFC WIRE	ST-MAIN 14pin 4cm	
△ 107	LY35039-001C	REAR COVER ASSY		
107A	LY30034-0Y4A	SPACER(A)		
108	LY45157-001A	HEAT SHEET		
109	LY35041-002B	TOP COVER ASSY		
109A	LY35042-002B	PLATE(TOP)		
109B	LY35043-001A	SHIELD(TOP)		
110	LY34990-001C	ZOOM UNIT		
△ 111	LY35067-004D	COVER(BELT)ASSY		
111A	LY30031-096A	SPECIAL SCREW	HOL.SH-HDB(x2)	
111B	LY35008-001B	HOLDER(SHAFT)		
111C	LY34997-001A	SHAFT(GB)		
111D	LY21416-001B	GRIP BELT		
112	QAL0722-001	HDD	(HITACHI) A,B,C	
112	QAL0722-002	HDD	(HITACHI) D,E,F,G	
113	LY35085-002A	BKT(HDD) ASSY		
113A	LY35173-001A	SHEET(HDD)		
114	LY34998-001A	GEL	(x4)	
115	LY35068-007A	GRIP COVER ASSY		
115A	LY35010-001A	SHEET(GEL)	(x2)	
116	QAL0739-001	FPC	MAIN-HDD	
117	LY45155-001A	GASKET	SOCKET	
118	LY30031-096A	SPECIAL SCREW	ZOOM-TOP(x2)	
119	LY30032-015A	SPECIAL SCREW	BKOP-OP(x3)	
120	LY30031-0K4A	SPECIAL SCREW	BKOP-FRM(x3)	
121	LY30031-0M1A	SPECIAL SCREW	MPWB-FRM	
122	LY30031-0K4A	SPECIAL SCREW	F.COV-FRM	
123	LY30031-0K4A	SPECIAL SCREW	F.COV-BKOP	
124	LY30031-0K4A	SPECIAL SCREW	RC-PWB-FRM(x4)	
126	LY30031-096A	SPECIAL SCREW	UCL-REAR	
127	LY30031-0K4A	SPECIAL SCREW	UCU-FRM(x2)	
128	LY30031-0K4A	SPECIAL SCREW	TOP-FRM(x2)	
129	LY30031-096A	SPECIAL SCREW	C.TRG-ZOOM	
130	LY30031-096A	SPECIAL SCREW	C.TRG-REAR	
131	LY30031-0K4A	SPECIAL SCREW	C.TRG-FRM(x3)	
132	LY30031-0K4A	SPECIAL SCREW	GRIP.C-GB	
133	LY30031-0K4A	SPECIAL SCREW	GRIP.C-C.T	
134	LY30031-0K4A	SPECIAL SCREW	F.COV-BKUP	
135	LY30031-0K4A	SPECIAL SCREW	S(ST)-BASE	
151	LY35045-001B	BOTTOM COVER ASSY		
151A	LY34986-001A	COVER(SD)		
151B	LY30034-0V6A	SPACER(A)		
152	LY30031-0K4A	SPECIAL SCREW	BC-BASE	
153	LY30031-0L3A	SPECIAL SCREW	BC-FRM(x2)	
154	LY30031-0K4A	SPECIAL SCREW	BC-FRM	
155	LY30031-0K4A	SPECIAL SCREW	BC-BKUPP	
156	LY30031-0K4A	SPECIAL SCREW	BC-TRG	
157	LY35040-001B	JACK COVER(REAR)		
171	LY35046-001B	FRONT COVER ASSY		
171A	LY35049-001B	SHIELD(HOOD)		
171B	LY30031-096A	SPECIAL SCREW	SHLD-FC(x2)	
172	LY35050-001B	RING 1		
173	LY35051-001B	HOOD		
174	LY35052-001A	HOOK(GB)		
175	LY35053-001A	COVER(MIC)		
176	LY35033-001A	MIC		
177	LY35054-001A	STROBE UNIT		
178	LY35056-001B	HOLDER(STROBE)		
179	LY35057-001A	SHIELD(STROBE)		
180	LY30031-096A	SPECIAL SCREW	SHLD-HOLST	
181	LY30031-025A	SPECIAL SCREW	FC-HOOD(x3)	
182	LY30031-096A	SPECIAL SCREW	SHLDST-FC(x2)	
183	LY30031-0K4A	SPECIAL SCREW	COVMIC-ST	
184	LY30031-0K4A	SPECIAL SCREW	ST-SHLDST	
185	LY30031-096A	SPECIAL SCREW	HOOK.GB-FC	
186	LY30034-0Z2A	SPACER(A)		
201	LYH30657-001A	CCD BASE ASSY		
203	LY44706-003A	OP BLOCK ASSY		
203A	PTY44703-001	ZOOM MOTOR		
203B	PTY44703-002	FOCUS MOTOR		

Symbol No.	Part No.	Part Name	Description	Local
203C	PTY44703-107	IRIS UNIT		
203D	PTY44703-004	SCREW(A)	(x4)	
203E	PTY44703-005	SCREW(B)	(x2)	
203F	PTY44703-006	SCREW(C)		
204	LY30031-038A	SPECIAL SCREW	(x2)	
205	LY43281-002A	SPACER RUBBER		
206	LY44705-001A	OLPF		
207	QAL0816-001	FPC		
208	LY30034-0Y1A	SPACER(A)		
209	LY35038-001B	SHIELD(CCD)		
210	LY30031-0M2A	SPECIAL SCREW		
211	LY30034-046A	SPACER(A)		
253	LY35086-001A	MONITOR CASE ASSY		
253A	LY30034-0X6A	SPACER(A)		
254	LY21402-001A	S.CASE(LCD)		
255	QLD0357-001	LCD MODULE		
256	QLL0174-002	BACK LIGHT		
257	LY35075-001A	HINGE UNIT	YEM	
258	LY35003-004B	HINGE COVER(U)		
259	LY34965-001A	HINGE COVER(L)		
260	LY42355-001A	P.C.MAGNET		
261	QAL0686-001	FPC		
262	LY21403-013A	MONITOR COVER ASSY	D,E,F,G	
262	LY21403-016A	MONITOR COVER ASSY	A,B,C	
262A	LY45072-003A	KNOB		
262B	LY45073-001A	TORSION SPRING		
262C	LY34963-001A	HOLDER(KNOB)		
262D	LY30031-096A	SPECIAL SCREW		
262E	LY35167-001A	STICKER	D,E,F,G	
262E	LY35167-002A	STICKER	A,B,C	
263	LY30031-0K4A	SPECIAL SCREW	HCOV-HINGE(x2)	
264	LY30031-096A	SPECIAL SCREW	PWB(x2)	
265	LY30031-0K4A	SPECIAL SCREW	M.COVER	
266	LY30031-0K9A	SPECIAL SCREW	HINGE(x2)	
267	LY21421-002C	UPPER CASE(L) ASSY		
267A	LY45111-002A	SHEET(CAUTION)		
267B	LY42350-001A	FOOT	(x2)	
267C	LY30035-001A	SPACER(A)		
268	QAS0395-001	SPEAKER		
269	LY21406-002B	BKT(UPPER)		
270	LY21422-002A	COVER(HINGE)	E	
270	LY21422-002B	COVER(HINGE)	A,B,C,D,F,G	
271	LY35069-002B	UPPER CASE(U) ASSY		
271A	LY35035-001B	INDICATOR		
271B	LY30031-0K4A	SPECIAL SCREW		
271C	LY34966-001A	BADGE		
272	LY34970-001B	KNOB(V/D)		
273	LY30031-0K4A	SPECIAL SCREW	U.C.L-BKTU(x4)	
274	LY30031-0K9A	SPECIAL SCREW	HINGE-BKTU(x2)	
275	LY30031-025A	SPECIAL SCREW	COV(HINGE)(x2)	
276	LY30031-0E3A	SPECIAL SCREW	BKTU-U.C.U	
277	LY30031-096A	SPECIAL SCREW	PWB-U.C.L(x4)	
278	LY30031-096A	SPECIAL SCREW	FPC-U.C.L	
279	LY35036-001B	POWER SW ASSY		
280	LY30031-0K4A	SPECIAL SCREW	P.SW-U.C.U(x2)	
281	LY35059-001A	BASE		
282	LY21429-001A	BKT(UPPER U)		
283	LY30031-0K4A	SPECIAL SCREW	BK(UCU-UCU)	
284	LY30031-0K4A	SPECIAL SCREW	BASE-BKTU	
285	LY30031-0E3A	SPECIAL SCREW	BK(UCU-UCU)(x2)	

PACKING AND ACCESSORY ASSEMBLY <M5>

Symbol No.	Part No.	Part Name	Description	Local
001	LY34452-001A	POLY BAG	DOCUMENT	
002	LY32210-0C1A	CD ROM ASSY		
△ 003	LYT1495-001A	INST BOOK(EN)	(ENGLISH)	D
△ 003	LYT1495-002A	INST BOOK(GE)	(GERMAN)	A,B,E,F
△ 003	LYT1495-003A	INST BOOK(FR)	(FRENCH)	A,E
△ 003	LYT1495-004A	INST BOOK(DU)	(DUTCH)	A,E
△ 003	LYT1495-005A	INST BOOK(SP)	(SPANISH)	A,E
△ 003	LYT1495-006A	INST BOOK(IT)	(ITALIAN)	A,E
△ 003	LYT1495-007A	INST BOOK(DA)	(DANISH)	B,F

MODEL	MARK	MODEL	MARK	MODEL	MARK
GZ-MG60EX	A	GZ-MG70EK	D	GZ-MG70EZ	G
GZ-MG60EY	B	GZ-MG70EX	E		
GZ-MG60EZ	C	GZ-MG70EY	F		

△ Symbol No.	Part No.	Part Name	Description	Local
△ 003	LYT1495-008A	INST BOOK(FI)	(FINN)	B,F
△ 003	LYT1495-009A	INST BOOK(SW)	(SWEDISH)	B,F
△ 003	LYT1495-010A	INST BOOK(NO)	(NORWEGIAN)	B,F
△ 003	LYT1495-011A	INST BOOK(RU)	(RUSSIAN)	C,G
△ 003	LYT1495-012A	INST BOOK(CZ)	(CZECH)	C,G
△ 003	LYT1495-013A	INST BOOK(PO)	(POLISH)	C,G
△ 003	LYT1495-014A	INST BOOK(HU)	(HUNGARIAN)	C,G
△ 003	LYT1495-015A	INST BOOK(PO)	(POLISH)	A,E
004	LYT1473-001A	INST BOOK(SOFT.EN)	(SOFT.ENGLISH)	D
004	LYT1473-002A	INST BOOK(SOFT.GE)	(SOFT.GERMAN)	A,B,E,F
004	LYT1473-003A	INST BOOK(SOFT.FR)	(SOFT.FRENCH)	A,E
004	LYT1473-004A	INST BOOK(SOFT.DU)	(SOFT.DUTCH)	A,E
004	LYT1473-005A	INST BOOK(SOFT.SP)	(SOFT.SPANISH)	A,E
004	LYT1473-006A	INST BOOK(SOFT.IT)	(SOFT.ITALIAN)	A,E
004	LYT1473-007A	INST BOOK(SOFT.DA)	(SOFT.DANISH)	B,F
004	LYT1473-008A	INST BOOK(SOFT.FI)	(SOFT.FINN)	B,F
004	LYT1473-009A	INST BOOK(SOFT.SW)	(SOFT.SWEDISH)	B,F
004	LYT1473-010A	INST BOOK(SOFT.NO)	(SOFT.NORWEGIAN)	B,F
004	LYT1473-011A	INST BOOK(SOFT.RU)	(SOFT.RUSSIAN)	C,G
004	LYT1473-012A	INST BOOK(SOFT.CZ)	(SOFT.CZECH)	C,G
004	LYT1473-013A	INST BOOK(SOFT.PO)	(SOFT.POLISH)	C,G
004	LYT1473-014A	INST BOOK(SOFT.HU)	(SOFT.HUNGARIAN)	C,G
004	LYT1473-018A	INST BOOK(SOFT.PT)	(SOFT.POLISH)	A,E
005	-----	WARRANTY CARD	BT-54027-1	
006	LYT0194-001B	Q.CARD		D
007	YU30878	REGI. CARD		D
023	LYT1468-004A	SHEET(EN)		D
025	LYT1474-001A	SHEET(INFO.EX)		A,E
025	LYT1474-002A	SHEET(INFO.EY)		B,F
025	LYT1474-003A	SHEET(INFO.EZ)		C,G
029	LY35208-001A	SHEET(E-SHOP)		D
051	LY30023-003A	POLY BAG	FOR YSK	
052	LY35013-012A	PACKING CASE	PRODUCTION	
053	LY21420-001A	CUSHION		
054	QPA02503505P	POLY BAG	ACC.25cm x 35cm	
055	QAM0508-001	A/V CABLE	FILTER	
056	QQR0918-004	CORE FILTER	AV	
057	QAM0719-001	USB CABLE		
058	QQR0491-004	CORE FILTER	USB 1T	
059	QQR0491-004	CORE FILTER	S 1T	
△ 060	LY21104-001E	AC ADAPTER	AP-V14E	D
△ 060	LY21343-001B	AC ADAPTER	AP-V17E	A,B,C,E,F,G
061	QQR0917-004	CORE FILTER	DC	
062	LY21430-003A	REMOTE CTL UNIT	RM-V730UE	
△ 063	LY34647-002B	BATTERY PACK	BN-VF707U	
064	LY21397-002A	SHOULDER STRAP		
065	LY33693-002A	CAP(HOOD)ASSY		
△ 067	QMPP210-190-JR	POWER CORD(EK)	BS PLUG 1.9m BLACK	D
099	LY35200-005A	SHEET(ACC GUIDE)		

MAIN BOARD ASSEMBLY <01>

△ Symbol No.	Part No.	Part Name	Description	Local
PW1	LYA10059-02C	MAIN BOARD ASSY		E
PW1	LYA10059-02E	MAIN BOARD ASSY		A,B,C,D,F,G
IC121	NAL0035-001X	SHOCK SENSOR		
IC201	S-89220ACNC-G-W	IC		
IC202	XC6202P33M-X	IC		
IC1001	MN102H60GJB	IC(MICRO C ROM)	MASK	
IC1001	or MN102HF60GJB	IC(MICRO C ROM)	MP FLASH	
IC1002	RS5C314-X	IC		
IC1003	S-80827CNNB-G-W	IC		
IC1004	SN74AHC1G08DC-X	IC		
IC1004	or 74AHC1G08GW-X	IC		
IC1005	SN74AHC1G04DC-X	IC		
IC1007	TC75S56FU-X	IC		
IC1007	or NJU7108F3-X	IC		
IC2201	AK4660VQ	IC	48P0.5	
IC3001	UPD61152F1-A03	IC(MICRO C ROM)		
IC3002	K4S283233F-HN75	IC	128M 32BIT	
IC3201	JCP8075	IC		
IC3202	MB90099PFV137EX	IC(MICRO C ROM)		
IC3701	BH7612FV-X	IC		
IC4001	SIP1280ISD-DVA2	IC		

△ Symbol No.	Part No.	Part Name	Description	Local
IC4001	or SIP1280ISD-DVA3	IC		
IC4002	SN74AHC1G04DC-X	IC		
IC4003	R1114N331B-X	IC	3.3V REG	
IC4301	SP32J55BF12C02	IC(MICRO C ROM)	4M FLASH	E
IC4301	SP32J55BF12C03	IC(MICRO C ROM)		A,B,C,D,F,G
IC4302	K4S563233F-HN75	IC	256M FBGA	
IC4303	R1114N251B-X	IC	2.5V REG	
IC4501	JCY0209-2	IC		
IC4502	M95320-WDW6-X	IC	ST MAICRO	
IC4701	NJM2143R-X	IC		
IC4702	NJM2143R-X	IC		
IC4703	NJM2143R-X	IC		
IC4704	NJM3414AV-X	IC		
IC4901	LY34853-001A	CSP IC ASSY	(SERVICE)	
IC4903	R1100D311C-X	IC	R1100D31	
IC4951	AN41902A	IC		
IC5801	TC75S54FU-X	IC		
IC5801	or NJU7008F3-X	IC		
IC5852	NAL0029-001X	GYRO SENSOR	MURATA	
Q131	DTC144EE-X	DIGI TRANSISTOR		
Q131	or BCR148T-X	DIGI TRANSISTOR		
Q131	or UN9213J-X	DIGI TRANSISTOR		
Q131	or PDTC144EE-X	DIGI TRANSISTOR		
Q171	RPM-22PB	PHOTO TRANSISTOR		
Q201	DTC144EE-X	DIGI TRANSISTOR		
Q201	or BCR148T-X	DIGI TRANSISTOR		
Q201	or UN9213J-X	DIGI TRANSISTOR		
Q201	or PDTC144EE-X	DIGI TRANSISTOR		
Q202	UMX1N-W	PAIR TRANSISTOR		
Q202	or PUMX1-W	PAIR TRANSISTOR		
Q202	or BC847S-X	PAIR TRANSISTOR		
Q202	or XP4501-W	TRANSISTOR		
Q203	2SA1577/QR/-X	TRANSISTOR		
Q203	or BC807-25W-X	TRANSISTOR		
Q204	UMX1N-W	PAIR TRANSISTOR	UMX1N-W	
Q204	or PUMX1-W	PAIR TRANSISTOR		
Q204	or BC847S-X	PAIR TRANSISTOR		
Q204	or XP4501-W	TRANSISTOR		
Q205	2SA1577/QR/-X	TRANSISTOR	2SA1577	
Q205	or BC807-25W-X	TRANSISTOR		
Q1001	DTC124EE-X	DIGI TRANSISTOR		
Q1001	or BCR141T-X	DIGI TRANSISTOR		
Q1001	or UN9212J-X	DIGI TRANSISTOR		
Q1001	or PDTC124EE-X	DIGI TRANSISTOR		
Q1002	2SC4617/RS/-X	TRANSISTOR		
Q1002	or BC847BT-X	TRANSISTOR		
Q1002	or 2SD2216J/RS/-X	TRANSISTOR		
Q1003	DTA124EE-X	DIGI TRANSISTOR		
Q1003	or BCR141T-X	DIGI TRANSISTOR		
Q1003	or UN9212J-X	DIGI TRANSISTOR		
Q1003	or PDTC124EE-X	DIGI TRANSISTOR		
Q1004	2SC4617/RS/-X	TRANSISTOR		
Q1004	or BC847BT-X	TRANSISTOR		
Q1004	or 2SD2216J/RS/-X	TRANSISTOR		
Q1005	2SJ347-X	MOS FET		
Q2202	UMX18N-W	PAIR TRANSISTOR		
Q2401	2SC4617/QR/-X	TRANSISTOR		
Q2401	or BC847BT-X	TRANSISTOR		
Q2403	2SC4617/QR/-X	TRANSISTOR		
Q2403	or BC847BT-X	TRANSISTOR		
Q3701	BC847PN-X	PAIR TRANSISTOR		
Q4001	2SC4617/RS/-X	TRANSISTOR		
Q4001	or BC847BT-X	TRANSISTOR		
Q4001	or 2SD2216J/RS/-X	TRANSISTOR		
Q4701	2SC4655J/BC/-X	TRANSISTOR		
Q4951	DTC114EE-X	DIGI TRANSISTOR		
Q4951	or BCR133T-X	DIGI TRANSISTOR		
Q4951	or UN9211J-X	DIGI TRANSISTOR		
Q4951	or PDTC114EE-X	DIGI TRANSISTOR		
Q7801	UMX1N-W	PAIR TRANSISTOR		
Q7801	or BC847S-X	PAIR TRANSISTOR		
Q7801	or PUMX1-W	PAIR TRANSISTOR		
Q7801	or XP4501-W	TRANSISTOR		
Q7802	UMX1N-W	PAIR TRANSISTOR		
Q7802	or BC847S-X	PAIR TRANSISTOR		
Q7802	or PUMX1-W	PAIR TRANSISTOR		
Q7802	or XP4501-W	TRANSISTOR		

MODEL	MARK	MODEL	MARK	MODEL	MARK
GZ-MG60EX	A	GZ-MG70EK	D	GZ-MG70EZ	G
GZ-MG60EY	B	GZ-MG70EX	E		
GZ-MG60EZ	C	GZ-MG70EY	F		

Symbol No.	Part No.	Part Name	Description	Local
Q7803	UMX1N-W	PAIR TRANSISTOR		
Q7803	or BC847S-X	PAIR TRANSISTOR		
Q7803	or PUMX1-W	PAIR TRANSISTOR		
Q7803	or XP4501-W	TRANSISTOR		
△ D201	RB706D-40-X	SB DIODE		
△ D202	RB715W-X	SB DIODE		
D1001	DA221-X	DIODE ARRAY		
D1002	1SS376-X	SI DIODE		
D3201	DAN222-X	SI DIODE		
D3201	or MA132WK-X	ZI DIODE		
D3701	UMZ6.8EN-W	ZI DIODE		
D4003	1SS376-X	SI DIODE		
C111	NBE40JM-476X	TA E CAPACITOR	47uF 6.3V M	
C122	NCBA1AK-104W	C CAPACITOR	0.1uF 10V K	
C141	NBE20JM-106X	TA E CAPACITOR	10uF 6.3V M	
C142	NCBA1AK-104W	C CAPACITOR	0.1uF 10V K	
C172	NBE20JM-106X	TA E CAPACITOR	10uF 6.3V M	
C201	NCBA1CK-103W	C CAPACITOR	0.01uF 16V K	
C202	NCBA1CK-103W	C CAPACITOR	0.01uF 16V K	
C203	NCB21CK-105X	C CAPACITOR	1uF 16V K	
C204	NCB21CK-105X	C CAPACITOR	1uF 16V K	
C205	NCB21CK-105X	C CAPACITOR	1uF 16V K	
C207	NCB21CK-105X	C CAPACITOR	1uF 16V K	
C208	NCB21CK-105X	C CAPACITOR	1uF 16V K	
C1001	NCBA1AK-104W	C CAPACITOR	0.1uF 10V K	
C1004	NCBA1AK-104W	C CAPACITOR	0.1uF 10V K	
C1005	NBE20JM-106X	TA E CAPACITOR	10uF 6.3V M	
C1006	NDCA1HJ-8R0W	C CAPACITOR	8pF 50V J	
C1008	NCBA1CK-103W	C CAPACITOR	0.01uF 16V K	
C1013	NCBA1CK-103W	C CAPACITOR	0.01uF 16V K	
C1014	NCBA1CK-103W	C CAPACITOR	0.01uF 16V K	
C1015	NCBA1CK-103W	C CAPACITOR	0.01uF 16V K	
C1016	NCBA1CK-103W	C CAPACITOR	0.01uF 16V K	
C1017	NCBA1CK-103W	C CAPACITOR	0.01uF 16V K	
C1018	NCBA1CK-103W	C CAPACITOR	0.01uF 16V K	
C1020	NCBA1CK-103W	C CAPACITOR	0.01uF 16V K	
C1025	NCBA1AK-104W	C CAPACITOR	0.1uF 10V K	
C1026	NCBA1AK-104W	C CAPACITOR	0.1uF 10V K	
C1031	NCF31AZ-105X	C CAPACITOR	1uF 10V Z	
C1034	NCBA1CK-103W	C CAPACITOR	0.01uF 16V K	
C1043	NCBA1CK-103W	C CAPACITOR	0.01uF 16V K	
C1044	NCBA1CK-103W	C CAPACITOR	0.01uF 16V K	
C1045	NCBA1CK-103W	C CAPACITOR	0.01uF 16V K	
C1046	NCBA1AK-104W	C CAPACITOR	0.1uF 10V K	
C2202	NCB30JK-105X	C CAPACITOR	1uF 6.3V K	
C2203	NCB30JK-105X	C CAPACITOR	1uF 6.3V K	
C2204	NCB30JK-105X	C CAPACITOR	1uF 6.3V K	
C2205	NCB30JK-105X	C CAPACITOR	1uF 6.3V K	
C2209	NCB30JK-105X	C CAPACITOR	1uF 6.3V K	
C2210	NCB30JK-105X	C CAPACITOR	1uF 6.3V K	
C2217	NCBA1AK-104W	C CAPACITOR	0.1uF 10V K	
C2218	NCBA1AK-104W	C CAPACITOR	0.1uF 10V K	
C2223	NCBA1AK-104W	C CAPACITOR	0.1uF 10V K	
C2224	NCBA1AK-104W	C CAPACITOR	0.1uF 10V K	
C2401	NBE20JM-106X	TA E CAPACITOR	10uF 6.3V M	
C2402	NBE20JM-106X	TA E CAPACITOR	10uF 6.3V M	
C2403	NBE20JM-106X	TA E CAPACITOR	10uF 6.3V M	
C2404	NBE20JM-106X	TA E CAPACITOR	10uF 6.3V M	
C2405	NCBA1AK-104W	C CAPACITOR	0.1uF 10V K	
C2406	NBE20JM-106X	TA E CAPACITOR	10uF 6.3V M	
C2603	NCBA1CK-223W	C CAPACITOR	0.022uF 16V K	
C2604	NCBA1CK-223W	C CAPACITOR	0.022uF 16V K	
C2605	NCBA1EK-472W	C CAPACITOR	4700pF 25V K	
C2606	NCBA1EK-472W	C CAPACITOR	4700pF 25V K	
C2611	NCB30JK-105X	C CAPACITOR	1uF 6.3V K	
C2612	NCB30JK-105X	C CAPACITOR	1uF 6.3V K	
C2613	NCB30JK-105X	C CAPACITOR	1uF 6.3V K	
C2623	NDCA1HJ-100W	C CAPACITOR	10pF 50V J	
C2624	NDCA1HJ-100W	C CAPACITOR	10pF 50V J	
C2655	NCBA1CK-473W	C CAPACITOR	0.047uF 16V K	
C2656	NCBA1CK-473W	C CAPACITOR	0.047uF 16V K	
C3004	NBE20JM-106X	TA E CAPACITOR	10uF 6.3V M	
C3005	NCBA1AK-104W	C CAPACITOR	0.1uF 10V K	
C3006	NCBA1CK-103W	C CAPACITOR	0.01uF 16V K	
C3007	NCBA1CK-103W	C CAPACITOR	0.01uF 16V K	
C3008	NCBA1AK-104W	C CAPACITOR	0.1uF 10V K	

Symbol No.	Part No.	Part Name	Description	Local
C3009	NCBA1AK-104W	C CAPACITOR	0.1uF 10V K	
C3010	NCBA1AK-104W	C CAPACITOR	0.1uF 10V K	
C3011	NCBA1CK-103W	C CAPACITOR	0.01uF 16V K	
C3012	NCBA1AK-104W	C CAPACITOR	0.1uF 10V K	
C3013	NCBA1CK-103W	C CAPACITOR	0.01uF 16V K	
C3014	NCBA1AK-104W	C CAPACITOR	0.1uF 10V K	
C3015	NCBA1CK-103W	C CAPACITOR	0.01uF 16V K	
C3016	NCBA1AK-104W	C CAPACITOR	0.1uF 10V K	
C3020	NCBA1CK-103W	C CAPACITOR	0.01uF 16V K	
C3021	NCBA1AK-104W	C CAPACITOR	0.1uF 10V K	
C3022	NCBA1HK-102W	C CAPACITOR	1000pF 50V K	
C3023	NCJA0JK-105W-A	C CAPACITOR	1uF 6.3V K	
C3024	NCJA0JK-105W-A	C CAPACITOR	1uF 6.3V K	
C3201	NCBA1CK-103W	C CAPACITOR	0.01uF 16V K	
C3202	NCBA1CK-103W	C CAPACITOR	0.01uF 16V K	
C3203	NCBA1CK-103W	C CAPACITOR	0.01uF 16V K	
C3204	NCBA1CK-103W	C CAPACITOR	0.01uF 16V K	
C3205	NCBA1AK-104W	C CAPACITOR	0.1uF 10V K	
C3206	NCBA1AK-104W	C CAPACITOR	0.1uF 10V K	
C3207	NCBA1CK-103W	C CAPACITOR	0.01uF 16V K	
C3208	NCB30JK-105X	C CAPACITOR	1uF 6.3V K	
C3209	NCBA1AK-104W	C CAPACITOR	0.1uF 10V K	
C3210	NCBA1AK-104W	C CAPACITOR	0.1uF 10V K	
C3211	NCB30JK-105X	C CAPACITOR	1uF 6.3V K	
C3212	NRSA6AJ-0R0W	MG RESISTOR	0Ω 1/16W J	
C3216	NCBA1AK-104W	C CAPACITOR	0.1uF 10V K	
C3217	NCBA1AK-104W	C CAPACITOR	0.1uF 10V K	
C3218	NCBA1CK-103W	C CAPACITOR	0.01uF 16V K	
C3219	NCBA1AK-104W	C CAPACITOR	0.1uF 10V K	
C3220	NCB20JM-475X	C CAPACITOR	4.7uF 6.3V M	
C3224	NCB30JK-105X	C CAPACITOR	1uF 6.3V K	
C3701	NBE20JM-106X	TA E CAPACITOR	10uF 6.3V M	
C3702	NCBA1AK-104W	C CAPACITOR	0.1uF 10V K	
C3703	NCB30JK-105X	C CAPACITOR	1uF 6.3V K	
C3704	NCBA1CK-103W	C CAPACITOR	0.01uF 16V K	
C3705	NCBA1CK-103W	C CAPACITOR	0.01uF 16V K	
C4003	NBE20JM-106X	TA E CAPACITOR	10uF 6.3V M	
C4004	NBE20JM-106X	TA E CAPACITOR	10uF 6.3V M	
C4008	NCBA1CK-103W	C CAPACITOR	0.01uF 16V K	
C4010	NCBA1AK-104W	C CAPACITOR	0.1uF 10V K	
C4011	NCBA1HK-102W	C CAPACITOR	1000pF 50V K	
C4015	NCBA1CK-103W	C CAPACITOR	0.01uF 16V K	
C4017	NCBA1AK-104W	C CAPACITOR	0.1uF 10V K	
C4018	NCBA1AK-104W	C CAPACITOR	0.1uF 10V K	
C4020	NCBA1HK-102W	C CAPACITOR	1000pF 50V K	
C4021	NCBA1CK-103W	C CAPACITOR	0.01uF 16V K	
C4022	NCBA1AK-104W	C CAPACITOR	0.1uF 10V K	
C4023	NCBA1HK-102W	C CAPACITOR	1000pF 50V K	
C4026	NCBA1CK-103W	C CAPACITOR	0.01uF 16V K	
C4028	NCBA1CK-103W	C CAPACITOR	0.01uF 16V K	
C4029	NCB30JK-105X	C CAPACITOR	1uF 6.3V K	
C4031	NCB30JK-105X	C CAPACITOR	1uF 6.3V K	
C4032	NCBA1CK-103W	C CAPACITOR	0.01uF 16V K	
C4033	NCBA1CK-103W	C CAPACITOR	0.01uF 16V K	
C4034	NCBA1AK-104W	C CAPACITOR	0.1uF 10V K	
C4035	NCBA1AK-104W	C CAPACITOR	0.1uF 10V K	
C4302	NCBA1AK-104W	C CAPACITOR	0.1uF 10V K	
C4304	NCB20JM-475X	C CAPACITOR	4.7uF 6.3V M	
C4305	NCBA1AK-104W	C CAPACITOR	0.1uF 10V K	
C4306	NCBA1HK-102W	C CAPACITOR	1000pF 50V K	
C4307	NCBA1CK-103W	C CAPACITOR	0.01uF 16V K	
C4308	NCBA1AK-104W	C CAPACITOR	0.1uF 10V K	
C4309	NCBA1CK-103W	C CAPACITOR	0.01uF 16V K	
C4310	NCB30JK-105X	C CAPACITOR	1uF 6.3V K	
C4312	NCB30JK-105X	C CAPACITOR	1uF 6.3V K	
C4504	NCB20JK-475X	C CAPACITOR	4.7uF 6.3V K	
C4506	NCB20JK-475X	C CAPACITOR	4.7uF 6.3V K	
C4507	NCBA1AK-104W	C CAPACITOR	0.1uF 10V K	
C4508	NCBA1AK-104W	C CAPACITOR	0.1uF 10V K	
C4509	NCBA1AK-104W	C CAPACITOR	0.1uF 10V K	
C4510	NCBA1CK-103W	C CAPACITOR	0.01uF 16V K	
C4511	NCB20JK-475X	C CAPACITOR	4.7uF 6.3V K	
C4512	NCBA1AK-104W	C CAPACITOR	0.1uF 10V K	
C4513	NCBA1AK-104W	C CAPACITOR	0.1uF 10V K	
C4514	NCBA1AK-104W	C CAPACITOR	0.1uF 10V K	
C4516	NCBA1AK-104W	C CAPACITOR	0.1uF 10V K	
C4517	NCBA1AK-104W	C CAPACITOR	0.1uF 10V K	
C4518	NCB20JK-475X	C CAPACITOR	4.7uF 6.3V K	

MODEL	MARK	MODEL	MARK	MODEL	MARK
GZ-MG60EX	A	GZ-MG70EK	D	GZ-MG70EZ	G
GZ-MG60EY	B	GZ-MG70EX	E		
GZ-MG60EZ	C	GZ-MG70EY	F		

△ Symbol No.	Part No.	Part Name	Description	Local	△ Symbol No.	Part No.	Part Name	Description	Local
C4519	NCBA1AK-104W	C CAPACITOR	0.1uF 10V K		R145	NRSA6AJ-473W	MG RESISTOR	47kΩ 1/16W J	
C4520	NCBA1CK-103W	C CAPACITOR	0.01uF 16V K		R146	NRSA6AJ-473W	MG RESISTOR	47kΩ 1/16W J	
C4521	NCBA1CK-103W	C CAPACITOR	0.01uF 16V K		R147	NRSA6AJ-103W	MG RESISTOR	10kΩ 1/16W J	
C4522	NCBA1CK-103W	C CAPACITOR	0.01uF 16V K		R148	NRSA6AJ-221W	MG RESISTOR	220Ω 1/16W J	
C4523	NCBA1CK-103W	C CAPACITOR	0.01uF 16V K		R149	NRSA6AJ-221W	MG RESISTOR	220Ω 1/16W J	
C4524	NCBA1CK-103W	C CAPACITOR	0.01uF 16V K		R150	NRSA6AJ-221W	MG RESISTOR	220Ω 1/16W J	
C4525	NCBA1CK-103W	C CAPACITOR	0.01uF 16V K		R151	NRSA6AJ-221W	MG RESISTOR	220Ω 1/16W J	
C4526	NCBA1CK-103W	C CAPACITOR	0.01uF 16V K		R167	NRSA6AJ-0R0W	MG RESISTOR	0Ω 1/16W J	
C4527	NCBA1CK-103W	C CAPACITOR	0.01uF 16V K		R172	NRSA6AJ-152W	MG RESISTOR	1.5kΩ 1/16W J	
C4528	NCBA1AK-104W	C CAPACITOR	0.1uF 10V K		R192	NRSA6AD-154W	MG RESISTOR	150kΩ 1/16W D	
C4529	NCBA1AK-104W	C CAPACITOR	0.1uF 10V K		R193	NRSA6AD-393W	MG RESISTOR	39kΩ 1/16W D	
C4530	NCBA1AK-104W	C CAPACITOR	0.1uF 10V K		R196	NRSA6AJ-0R0W	MG RESISTOR	0Ω 1/16W J	
C4531	NCBA1AK-104W	C CAPACITOR	0.1uF 10V K		R197	NRSA6AJ-0R0W	MG RESISTOR	0Ω 1/16W J	
C4533	NCBA1AK-104W	C CAPACITOR	0.1uF 10V K		R198	NRSA6AJ-0R0W	MG RESISTOR	0Ω 1/16W J	
C4534	NCBA1AK-104W	C CAPACITOR	0.1uF 10V K		R201	NRSA6AJ-564W	MG RESISTOR	560kΩ 1/16W J	
C4535	NCB20JK-475X	C CAPACITOR	4.7uF 6.3V K		R202	NRSA6AJ-514W	MG RESISTOR	510kΩ 1/16W J	
C4536	NCBA1AK-104W	C CAPACITOR	0.1uF 10V K		R203	NRSA6AJ-184W	MG RESISTOR	180kΩ 1/16W J	
C4537	NCBA1AK-104W	C CAPACITOR	0.1uF 10V K		R204	NRSA6AJ-824W	MG RESISTOR	820kΩ 1/16W J	
C4538	NCBA1AK-104W	C CAPACITOR	0.1uF 10V K		R205	NRSA6AJ-104W	MG RESISTOR	100kΩ 1/16W J	
C4539	NCBA1AK-104W	C CAPACITOR	0.1uF 10V K		△ R207	NRSA63J-471X	MG RESISTOR	470Ω 1/16W J	
C4540	NCBA1AK-104W	C CAPACITOR	0.1uF 10V K		△ R208	NRSA63J-102X	MG RESISTOR	1kΩ 1/16W J	
C4703	NCFA1AZ-104W	C CAPACITOR	0.1uF 10V Z		R210	NRSA6AD-392W	MG RESISTOR	3.9kΩ 1/16W D	
C4704	NCFA1AZ-104W	C CAPACITOR	0.1uF 10V Z		R211	NRSA6AD-153W	MG RESISTOR	15kΩ 1/16W D	
C4705	NCB30JK-105X	C CAPACITOR	1uF 6.3V K		R212	NRSA6AJ-273W	MG RESISTOR	27kΩ 1/16W J	
C4707	NCFA1AZ-104W	C CAPACITOR	0.1uF 10V Z		R213	NRSA6AJ-822W	MG RESISTOR	8.2kΩ 1/16W J	
C4708	NCBA1CK-103W	C CAPACITOR	0.01uF 16V K		R214	NRSA6AJ-822W	MG RESISTOR	8.2kΩ 1/16W J	
C4709	NCFA1AZ-104W	C CAPACITOR	0.1uF 10V Z		R215	NRSA6AJ-273W	MG RESISTOR	27kΩ 1/16W J	
C4710	NCFA1AZ-104W	C CAPACITOR	0.1uF 10V Z		R216	NRSA6AD-182W	MG RESISTOR	1.8kΩ 1/16W D	
C4711	NCFA1AZ-104W	C CAPACITOR	0.1uF 10V Z		R218	NRSA6AD-243W	MG RESISTOR	24kΩ 1/16W D	
C4712	NCBA1HK-102W	C CAPACITOR	1000pF 50V K		R1001	NRSA6AJ-104W	MG RESISTOR	100kΩ 1/16W J	
C4902	NBE20JM-106X	TA E CAPACITOR	10uF 6.3V M		R1003	NRSA6AJ-222W	MG RESISTOR	2.2kΩ 1/16W J	
C4904	NBE21AM-106X	TA E CAPACITOR	10uF 10V M		R1004	NRSA6AJ-222W	MG RESISTOR	2.2kΩ 1/16W J	
C4905	NCFA1AZ-104W	C CAPACITOR	0.1uF 10V Z		R1005	NRSA6AJ-222W	MG RESISTOR	2.2kΩ 1/16W J	
C4906	NCFA1AZ-104W	C CAPACITOR	0.1uF 10V Z		R1006	NRSA6AJ-472W	MG RESISTOR	4.7kΩ 1/16W J	
C4907	NCFA1AZ-104W	C CAPACITOR	0.1uF 10V Z		R1007	NRSA6AJ-472W	MG RESISTOR	4.7kΩ 1/16W J	
C4908	NCFA1AZ-104W	C CAPACITOR	0.1uF 10V Z		R1008	NRSA6AJ-102W	MG RESISTOR	1kΩ 1/16W J	
C4909	NCBA1CK-103W	C CAPACITOR	0.01uF 16V K		R1009	NRSA6AJ-681W	MG RESISTOR	680Ω 1/16W J	
C4912	NCFA1AZ-104W	C CAPACITOR	0.1uF 10V Z		R1016	NRSA6AJ-222W	MG RESISTOR	2.2kΩ 1/16W J	
C4913	NCFA1AZ-104W	C CAPACITOR	0.1uF 10V Z		R1017	NRSA6AJ-102W	MG RESISTOR	1kΩ 1/16W J	
C4914	NDCA1HJ-680W	C CAPACITOR	68pF 50V J		R1018	NRSA6AJ-102W	MG RESISTOR	1kΩ 1/16W J	
C4915	NDCA1HJ-121W	C CAPACITOR	120pF 50V J		R1019	NRSA6AJ-102W	MG RESISTOR	1kΩ 1/16W J	
C4916	NCFA1AZ-104W	C CAPACITOR	0.1uF 10V Z		R1020	NRSA6AJ-102W	MG RESISTOR	1kΩ 1/16W J	
C4917	NCFA1AZ-104W	C CAPACITOR	0.1uF 10V Z		R1022	NRSA6AJ-102W	MG RESISTOR	1kΩ 1/16W J	
C4918	NCFA1AZ-104W	C CAPACITOR	0.1uF 10V Z		R1023	NRSA6AJ-102W	MG RESISTOR	1kΩ 1/16W J	
C4921	NCBA1CK-103W	C CAPACITOR	0.01uF 16V K		R1024	NRSA6AJ-102W	MG RESISTOR	1kΩ 1/16W J	
C4922	NCFA1AZ-104W	C CAPACITOR	0.1uF 10V Z		R1025	NRSA6AJ-102W	MG RESISTOR	1kΩ 1/16W J	
C4925	NCB30JK-105X	C CAPACITOR	1uF 6.3V K		R1028	NRSA6AJ-102W	MG RESISTOR	1kΩ 1/16W J	
C4926	NCB30JK-105X	C CAPACITOR	1uF 6.3V K		R1029	NRSA6AJ-102W	MG RESISTOR	1kΩ 1/16W J	
C4952	NBE21AM-106X	TA E CAPACITOR	10uF 10V M		R1030	NRSA6AJ-102W	MG RESISTOR	1kΩ 1/16W J	
C4954	NBE21AM-106X	TA E CAPACITOR	10uF 10V M		R1031	NRSA6AJ-102W	MG RESISTOR	1kΩ 1/16W J	
C4955	NCFA1AZ-104W	C CAPACITOR	0.1uF 10V Z		R1037	NRSA6AJ-102W	MG RESISTOR	1kΩ 1/16W J	
C5801	NBE20JM-106X	TA E CAPACITOR	10uF 6.3V M		R1043	NRSA6AJ-104W	MG RESISTOR	100kΩ 1/16W J	
C5806	NCBA1CK-103W	C CAPACITOR	0.01uF 16V K		R1045	NRSA6AJ-102W	MG RESISTOR	1kΩ 1/16W J	
C5807	NCB21AK-225X	C CAPACITOR	2.2uF 10V K		R1051	NRSA6AJ-272W	MG RESISTOR	2.7kΩ 1/16W J	
C5808	NCBA1HK-331W	C CAPACITOR	330pF 50V K		R1052	NRSA6AJ-183W	MG RESISTOR	18kΩ 1/16W J	
C5809	NBE20JM-475X	TA E CAPACITOR	4.7uF 6.3V M		R1053	NRSA6AJ-154W	MG RESISTOR	150kΩ 1/16W J	
C5810	NCBA1HK-331W	C CAPACITOR	330pF 50V K		R1054	NRSA6AJ-473W	MG RESISTOR	47kΩ 1/16W J	
C5812	NCBA1AK-104W	C CAPACITOR	0.1uF 10V K		R1055	NRSA6AJ-103W	MG RESISTOR	10kΩ 1/16W J	
C5851	NBE20JM-106X	TA E CAPACITOR	10uF 6.3V M		R1056	NRSA6AJ-472W	MG RESISTOR	4.7kΩ 1/16W J	
C5853	NCBA1AK-104W	C CAPACITOR	0.1uF 10V K		R1057	NRSA6AJ-104W	MG RESISTOR	100kΩ 1/16W J	
C7802	NCB21CK-105X	C CAPACITOR	1uF 16V K		R1058	NRSA6AJ-104W	MG RESISTOR	100kΩ 1/16W J	
C7803	NCB30JK-105X	C CAPACITOR	1uF 6.3V K		R1059	NRSA6AJ-104W	MG RESISTOR	100kΩ 1/16W J	
C7804	NCB21CK-105X	C CAPACITOR	1uF 16V K		R1060	NRSA6AJ-104W	MG RESISTOR	100kΩ 1/16W J	
C7805	NCB21CK-105X	C CAPACITOR	1uF 16V K		R1061	NRSA6AJ-104W	MG RESISTOR	100kΩ 1/16W J	
C7806	NCB21CK-105X	C CAPACITOR	1uF 16V K		R1062	NRSA6AJ-104W	MG RESISTOR	100kΩ 1/16W J	
C7852	NCBA1CK-103W	C CAPACITOR	0.01uF 16V K		R1063	NRSA6AJ-473W	MG RESISTOR	47kΩ 1/16W J	
R111	NRSA6AJ-102W	MG RESISTOR	1kΩ 1/16W J		R1064	NRSA6AJ-102W	MG RESISTOR	1kΩ 1/16W J	
R112	NRSA6AJ-473W	MG RESISTOR	47kΩ 1/16W J		R1065	NRSA6AJ-102W	MG RESISTOR	1kΩ 1/16W J	
R113	NRSA6AJ-473W	MG RESISTOR	47kΩ 1/16W J		R1066	NRSA6AJ-102W	MG RESISTOR	1kΩ 1/16W J	
R114	NRSA6AJ-473W	MG RESISTOR	47kΩ 1/16W J		R1068	NRSA6AJ-104W	MG RESISTOR	100kΩ 1/16W J	
R115	NRSA6AJ-473W	MG RESISTOR	47kΩ 1/16W J		R1069	NRSA6AJ-104W	MG RESISTOR	100kΩ 1/16W J	
R122	NRSA6AJ-0R0W	MG RESISTOR	0Ω 1/16W J		R1070	NRSA6AJ-104W	MG RESISTOR	100kΩ 1/16W J	
R131	NRSA6AJ-473W	MG RESISTOR	47kΩ 1/16W J		R1071	NRSA6AJ-104W	MG RESISTOR	100kΩ 1/16W J	
R141	NRSA6AJ-473W	MG RESISTOR	47kΩ 1/16W J		R1072	NRSA6AJ-823W	MG RESISTOR	82kΩ 1/16W J	
R142	NRSA6AJ-473W	MG RESISTOR	47kΩ 1/16W J		R1073	NRSA6AJ-623W	MG RESISTOR	62kΩ 1/16W J	
R143	NRSA6AJ-473W	MG RESISTOR	47kΩ 1/16W J		R1074	NRSA6AJ-103W	MG RESISTOR	10kΩ 1/16W J	
R144	NRSA6AJ-473W	MG RESISTOR	47kΩ 1/16W J		R1075	NRSA6AJ-104W	MG RESISTOR	100kΩ 1/16W J	
					R1076	NRSA6AJ-104W	MG RESISTOR	100kΩ 1/16W J	

MODEL	MARK	MODEL	MARK	MODEL	MARK
GZ-MG60EX	A	GZ-MG70EK	D	GZ-MG70EZ	G
GZ-MG60EY	B	GZ-MG70EX	E		
GZ-MG60EZ	C	GZ-MG70EY	F		

Symbol No.	Part No.	Part Name	Description	Local
R1077	NRSA6AJ-105W	MG RESISTOR	1MΩ 1/16W J	
R1082	NRSA6AJ-104W	MG RESISTOR	100kΩ 1/16W J	
R1083	NRSA6AJ-104W	MG RESISTOR	100kΩ 1/16W J	
R1084	NRSA6AJ-0R0W	MG RESISTOR	0Ω 1/16W J	
R1085	NRSA6AJ-0R0W	MG RESISTOR	0Ω 1/16W J	
R1086	NRSA6AJ-0R0W	MG RESISTOR	0Ω 1/16W J	
R2202	NRSA6AJ-564W	MG RESISTOR	560kΩ 1/16W J	
R2203	NRSA6AJ-393W	MG RESISTOR	39kΩ 1/16W J	
R2204	NRSA6AJ-154W	MG RESISTOR	150kΩ 1/16W J	
R2206	NRSA6AJ-333W	MG RESISTOR	33kΩ 1/16W J	
R2207	NRSA6AJ-333W	MG RESISTOR	33kΩ 1/16W J	
R2208	NRSA6AJ-223W	MG RESISTOR	22kΩ 1/16W J	
R2209	NRSA6AJ-223W	MG RESISTOR	22kΩ 1/16W J	
R2210	NRSA6AJ-821W	MG RESISTOR	820Ω 1/16W J	
R2211	NRSA6AJ-821W	MG RESISTOR	820Ω 1/16W J	
R2212	NRSA6AJ-2R7W	MG RESISTOR	2.7Ω 1/16W J	
R2213	NRSA6AJ-2R7W	MG RESISTOR	2.7Ω 1/16W J	
R2217	NRSA6AJ-100W	MG RESISTOR	10Ω 1/16W J	
R2233	NRSA6AJ-564W	MG RESISTOR	560kΩ 1/16W J	
R2234	NRSA6AJ-564W	MG RESISTOR	560kΩ 1/16W J	
R2235	NRSA6AJ-332W	MG RESISTOR	3.3kΩ 1/16W J	
R2241	NRSA6AJ-104W	MG RESISTOR	100kΩ 1/16W J	
R2401	NRSA6AJ-472W	MG RESISTOR	4.7kΩ 1/16W J	
R2402	NRSA6AJ-472W	MG RESISTOR	4.7kΩ 1/16W J	
R2403	NRSA6AJ-183W	MG RESISTOR	18kΩ 1/16W J	
R2407	NRSA6AJ-100W	MG RESISTOR	10Ω 1/16W J	
R2601	NRSA6AJ-222W	MG RESISTOR	2.2kΩ 1/16W J	
R2602	NRSA6AJ-222W	MG RESISTOR	2.2kΩ 1/16W J	
R2607	NRSA6AJ-222W	MG RESISTOR	2.2kΩ 1/16W J	
R2608	NRSA6AJ-222W	MG RESISTOR	2.2kΩ 1/16W J	
R2609	NRSA6AJ-223W	MG RESISTOR	22kΩ 1/16W J	
R2610	NRSA6AJ-223W	MG RESISTOR	22kΩ 1/16W J	
R3001	NRSA6AJ-103W	MG RESISTOR	10kΩ 1/16W J	
R3002	NRSA6AJ-103W	MG RESISTOR	10kΩ 1/16W J	
R3003	NRSA6AJ-103W	MG RESISTOR	10kΩ 1/16W J	
R3004	NRSA6AJ-103W	MG RESISTOR	10kΩ 1/16W J	
R3007	NRSA6AJ-103W	MG RESISTOR	10kΩ 1/16W J	
R3008	NRSA6AJ-103W	MG RESISTOR	10kΩ 1/16W J	
R3009	NRSA6AJ-103W	MG RESISTOR	10kΩ 1/16W J	
R3012	NRSA6AJ-103W	MG RESISTOR	10kΩ 1/16W J	
R3013	NRSA6AJ-220W	MG RESISTOR	22Ω 1/16W J	
R3016	NRSA6AJ-103W	MG RESISTOR	10kΩ 1/16W J	
R3017	NRSA6AJ-103W	MG RESISTOR	10kΩ 1/16W J	
R3021	NRSA6AJ-472W	MG RESISTOR	4.7kΩ 1/16W J	
R3022	NRSA6AJ-103W	MG RESISTOR	10kΩ 1/16W J	
R3023	NRSA6AJ-103W	MG RESISTOR	10kΩ 1/16W J	
R3024	NRSA6AJ-103W	MG RESISTOR	10kΩ 1/16W J	
R3025	NRSA6AJ-103W	MG RESISTOR	10kΩ 1/16W J	
R3026	NRSA6AJ-103W	MG RESISTOR	10kΩ 1/16W J	
R3027	NRSA6AJ-103W	MG RESISTOR	10kΩ 1/16W J	
R3028	NRSA6AJ-103W	MG RESISTOR	10kΩ 1/16W J	
R3029	NRSA6AJ-472W	MG RESISTOR	4.7kΩ 1/16W J	
R3030	NRSA6AJ-472W	MG RESISTOR	4.7kΩ 1/16W J	
R3031	NRSA6AJ-472W	MG RESISTOR	4.7kΩ 1/16W J	
R3032	NRSA6AJ-473W	MG RESISTOR	47kΩ 1/16W J	
R3033	NRSA6AJ-472W	MG RESISTOR	4.7kΩ 1/16W J	
R3034	NRSA6AJ-472W	MG RESISTOR	4.7kΩ 1/16W J	
R3035	NRSA6AJ-103W	MG RESISTOR	10kΩ 1/16W J	
R3036	NRSA6AJ-103W	MG RESISTOR	10kΩ 1/16W J	
R3040	NRSA6AJ-101W	MG RESISTOR	100Ω 1/16W J	
R3041	NRSA6AJ-0R0W	MG RESISTOR	0Ω 1/16W J	
R3042	NRSA6AJ-100W	MG RESISTOR	10Ω 1/16W J	
R3043	NRSA6AJ-100W	MG RESISTOR	10Ω 1/16W J	
R3044	NRSA6AJ-100W	MG RESISTOR	10Ω 1/16W J	
R3045	NRSA6AJ-100W	MG RESISTOR	10Ω 1/16W J	
R3047	NRSA6AJ-0R0W	MG RESISTOR	0Ω 1/16W J	
R3201	NRSA6AJ-0R0W	MG RESISTOR	0Ω 1/16W J	
R3208	NRSA6AJ-101W	MG RESISTOR	100Ω 1/16W J	
R3212	NRSA6AD-183W	MG RESISTOR	18kΩ 1/16W D	
R3213	NRSA6AD-123W	MG RESISTOR	12kΩ 1/16W D	
R3214	NRSA6AD-272W	MG RESISTOR	2.7kΩ 1/16W D	
R3215	NRSA6AD-272W	MG RESISTOR	2.7kΩ 1/16W D	
R3216	NRSA6AD-821W	MG RESISTOR	820Ω 1/16W D	
R3217	NRSA6AD-821W	MG RESISTOR	820Ω 1/16W D	
R3221	NRSA6AJ-0R0W	MG RESISTOR	0Ω 1/16W J	
R3222	NRSA6AJ-0R0W	MG RESISTOR	0Ω 1/16W J	
R3703	NRSA6AD-680W	MG RESISTOR	68Ω 1/16W D	
R3708	NRSA6AJ-103W	MG RESISTOR	10kΩ 1/16W J	

Symbol No.	Part No.	Part Name	Description	Local
R3709	NRSA6AJ-122W	MG RESISTOR	1.2kΩ 1/16W J	
R3710	NRSA6AJ-222W	MG RESISTOR	2.2kΩ 1/16W J	
R4002	NRSA6AJ-332W	MG RESISTOR	3.3kΩ 1/16W J	
R4005	NRSA6AJ-473W	MG RESISTOR	47kΩ 1/16W J	
R4006	NRSA6AJ-473W	MG RESISTOR	47kΩ 1/16W J	
R4016	NRSA6AJ-102W	MG RESISTOR	1kΩ 1/16W J	
R4017	NRSA6AJ-103W	MG RESISTOR	10kΩ 1/16W J	
R4018	NRSA6AJ-473W	MG RESISTOR	47kΩ 1/16W J	
R4019	NRSA6AJ-473W	MG RESISTOR	47kΩ 1/16W J	
R4020	NRSA6AJ-473W	MG RESISTOR	47kΩ 1/16W J	
R4021	NRSA6AJ-473W	MG RESISTOR	47kΩ 1/16W J	
R4023	NRSA6AD-272W	MG RESISTOR	2.7kΩ 1/16W D	
R4025	NRSA6AJ-473W	MG RESISTOR	47kΩ 1/16W J	
R4027	NRSA6AJ-473W	MG RESISTOR	47kΩ 1/16W J	
R4028	NRSA6AJ-473W	MG RESISTOR	47kΩ 1/16W J	
R4030	NRSA6AJ-473W	MG RESISTOR	47kΩ 1/16W J	
R4031	NRSA6AD-221W	MG RESISTOR	220Ω 1/16W D	
R4034	NRSA6AJ-473W	MG RESISTOR	47kΩ 1/16W J	
R4035	NRSA6AJ-473W	MG RESISTOR	47kΩ 1/16W J	
R4036	NRSA6AJ-220W	MG RESISTOR	22Ω 1/16W J	
R4037	NRSA6AJ-470W	MG RESISTOR	47Ω 1/16W J	
R4038	NRSA6AJ-820W	MG RESISTOR	82Ω 1/16W J	
R4039	NRSA6AJ-470W	MG RESISTOR	47Ω 1/16W J	
R4042	NRSA6AJ-473W	MG RESISTOR	47kΩ 1/16W J	
R4043	NRSA6AJ-473W	MG RESISTOR	47kΩ 1/16W J	
R4044	NRSA6AJ-473W	MG RESISTOR	47kΩ 1/16W J	
R4047	NRSA6AJ-0R0W	MG RESISTOR	0Ω 1/16W J	
R4048	NRSA6AJ-473W	MG RESISTOR	47kΩ 1/16W J	
R4049	NRSA6AJ-473W	MG RESISTOR	47kΩ 1/16W J	
R4050	NRSA6AJ-220W	MG RESISTOR	22Ω 1/16W J	
R4051	NRSA6AJ-220W	MG RESISTOR	22Ω 1/16W J	
R4052	NRSA6AJ-473W	MG RESISTOR	47kΩ 1/16W J	
R4053	NRSA6AJ-220W	MG RESISTOR	22Ω 1/16W J	
R4054	NRSA6AJ-473W	MG RESISTOR	47kΩ 1/16W J	
R4055	NRSA6AJ-473W	MG RESISTOR	47kΩ 1/16W J	
R4056	NRSA6AJ-221W	MG RESISTOR	220Ω 1/16W J	
R4057	NRSA6AJ-221W	MG RESISTOR	220Ω 1/16W J	
R4058	NRSA6AJ-221W	MG RESISTOR	220Ω 1/16W J	
R4059	NRSA6AJ-221W	MG RESISTOR	220Ω 1/16W J	
R4060	NRSA6AJ-221W	MG RESISTOR	220Ω 1/16W J	
R4061	NRSA6AJ-221W	MG RESISTOR	220Ω 1/16W J	
R4062	NRSA6AJ-221W	MG RESISTOR	220Ω 1/16W J	
R4063	NRSA6AJ-221W	MG RESISTOR	220Ω 1/16W J	
R4064	NRSA6AJ-221W	MG RESISTOR	220Ω 1/16W J	
R4065	NRSA6AJ-221W	MG RESISTOR	220Ω 1/16W J	
R4066	NRSA6AJ-221W	MG RESISTOR	220Ω 1/16W J	
R4067	NRSA6AJ-221W	MG RESISTOR	220Ω 1/16W J	
R4068	NRSA6AJ-221W	MG RESISTOR	220Ω 1/16W J	
R4069	NRSA6AJ-221W	MG RESISTOR	220Ω 1/16W J	
R4070	NRSA6AJ-221W	MG RESISTOR	220Ω 1/16W J	
R4071	NRSA6AJ-221W	MG RESISTOR	220Ω 1/16W J	
R4072	NRSA6AJ-220W	MG RESISTOR	22Ω 1/16W J	
R4073	NRSA6AJ-220W	MG RESISTOR	22Ω 1/16W J	
R4074	NRSA6AJ-473W	MG RESISTOR	47kΩ 1/16W J	
R4075	NRSA6AJ-473W	MG RESISTOR	47kΩ 1/16W J	
R4076	NRSA6AJ-220W	MG RESISTOR	22Ω 1/16W J	
R4077	NRSA6AJ-220W	MG RESISTOR	22Ω 1/16W J	
R4078	NRSA6AJ-220W	MG RESISTOR	22Ω 1/16W J	
R4079	NRSA6AJ-473W	MG RESISTOR	47kΩ 1/16W J	
R4080	NRSA6AJ-0R0W	MG RESISTOR	0Ω 1/16W J	
R4081	NRSA6AJ-100W	MG RESISTOR	10Ω 1/16W J	
R4083	NRSA6AJ-472W	MG RESISTOR	4.7kΩ 1/16W J	
R4084	NRSA6AJ-472W	MG RESISTOR	4.7kΩ 1/16W J	
R4301	NRSA6AJ-473W	MG RESISTOR	47kΩ 1/16W J	
R4302	NRSA6AJ-0R0W	MG RESISTOR	0Ω 1/16W J	
R4501	NRSA6AJ-471W	MG RESISTOR	470Ω 1/16W J	
R4502	NRSA6AJ-0R0W	MG RESISTOR	0Ω 1/16W J	
R4503	NRSA6AJ-471W	MG RESISTOR	470Ω 1/16W J	
R4504	NRSA6AJ-471W	MG RESISTOR	470Ω 1/16W J	
R4505	NRSA6AJ-0R0W	MG RESISTOR	0Ω 1/16W J	
R4506	NRSA6AJ-471W	MG RESISTOR	470Ω 1/16W J	
R4507	NRSA6AJ-471W	MG RESISTOR	470Ω 1/16W J	
R4509	NRSA6AJ-471W	MG RESISTOR	470Ω 1/16W J	
R4510	NRSA6AJ-471W	MG RESISTOR	470Ω 1/16W J	
R4511	NRSA6AJ-474W	MG RESISTOR	470kΩ 1/16W J	
R4512	NRSA6AJ-471W	MG RESISTOR	470Ω 1/16W J	
R4514	NRSA6AJ-101W	MG RESISTOR	100Ω 1/16W J	
R4515	NRSA6AJ-103W	MG RESISTOR	10kΩ 1/16W J	

MODEL	MARK	MODEL	MARK	MODEL	MARK
GZ-MG60EX	A	GZ-MG70EK	D	GZ-MG70EZ	G
GZ-MG60EY	B	GZ-MG70EX	E		
GZ-MG60EZ	C	GZ-MG70EY	F		

△ Symbol No.	Part No.	Part Name	Description	Local	△ Symbol No.	Part No.	Part Name	Description	Local
R4516	NRSA6AJ-473W	MG RESISTOR	47kΩ 1/16W J		R4709	NRSA6AJ-103W	MG RESISTOR	10kΩ 1/16W J	
R4518	NRSA6AJ-0R0W	MG RESISTOR	0Ω 1/16W J		R4710	NRSA6AJ-105W	MG RESISTOR	1MΩ 1/16W J	
R4519	NRSA6AJ-101W	MG RESISTOR	100Ω 1/16W J		R4712	NRSA6AJ-472W	MG RESISTOR	4.7kΩ 1/16W J	
R4520	NRSA6AJ-101W	MG RESISTOR	100Ω 1/16W J		R4713	NRSA6AJ-102W	MG RESISTOR	1kΩ 1/16W J	
R4521	NRSA6AJ-100W	MG RESISTOR	10Ω 1/16W J		R4714	NRSA6AJ-683W	MG RESISTOR	68kΩ 1/16W J	
R4522	NRSA6AJ-100W	MG RESISTOR	10Ω 1/16W J		R4715	NRSA6AJ-472W	MG RESISTOR	4.7kΩ 1/16W J	
R4523	NRSA6AJ-102W	MG RESISTOR	1kΩ 1/16W J		R4716	NRSA6AJ-104W	MG RESISTOR	100kΩ 1/16W J	
R4524	NRSA6AJ-0R0W	MG RESISTOR	0Ω 1/16W J		R4717	NRSA6AJ-103W	MG RESISTOR	10kΩ 1/16W J	
R4525	NRSA6AJ-0R0W	MG RESISTOR	0Ω 1/16W J		R4718	NRSA6AJ-104W	MG RESISTOR	100kΩ 1/16W J	
R4526	NRSA6AJ-0R0W	MG RESISTOR	0Ω 1/16W J		R4721	NRSA6AJ-0R0W	MG RESISTOR	0Ω 1/16W J	
R4527	NRSA6AJ-0R0W	MG RESISTOR	0Ω 1/16W J		R4722	NRSA6AJ-153W	MG RESISTOR	15kΩ 1/16W J	
R4528	NRSA6AJ-0R0W	MG RESISTOR	0Ω 1/16W J		R4723	NRSA6AJ-103W	MG RESISTOR	10kΩ 1/16W J	
R4530	NRSA6AJ-101W	MG RESISTOR	100Ω 1/16W J		R4724	NRSA6AJ-103W	MG RESISTOR	10kΩ 1/16W J	
R4531	NRSA6AJ-101W	MG RESISTOR	100Ω 1/16W J		R4901	NRSA6AJ-243W	MG RESISTOR	24kΩ 1/16W J	
R4532	NRSA6AJ-101W	MG RESISTOR	100Ω 1/16W J		R4902	NRSA6AJ-103W	MG RESISTOR	10kΩ 1/16W J	
R4533	NRSA6AJ-101W	MG RESISTOR	100Ω 1/16W J		R4903	NRSA6AJ-822W	MG RESISTOR	8.2kΩ 1/16W J	
R4534	NRSA6AJ-101W	MG RESISTOR	100Ω 1/16W J		R4904	NRSA6AJ-103W	MG RESISTOR	10kΩ 1/16W J	
R4535	NRSA6AJ-101W	MG RESISTOR	100Ω 1/16W J		R4905	NRSA6AJ-153W	MG RESISTOR	15kΩ 1/16W J	
R4536	NRSA6AJ-123W	MG RESISTOR	12kΩ 1/16W J		R4906	NRSA6AJ-564W	MG RESISTOR	560kΩ 1/16W J	
R4537	NRSA6AJ-822W	MG RESISTOR	8.2kΩ 1/16W J		R4907	NRSA6AJ-105W	MG RESISTOR	1MΩ 1/16W J	
R4538	NRSA6AJ-101W	MG RESISTOR	100Ω 1/16W J		R4908	NRSA6AJ-472W	MG RESISTOR	4.7kΩ 1/16W J	
R4539	NRSA6AJ-101W	MG RESISTOR	100Ω 1/16W J		R4909	NRSA6AJ-105W	MG RESISTOR	1MΩ 1/16W J	
R4540	NRSA6AJ-101W	MG RESISTOR	100Ω 1/16W J		R4910	NRSA6AJ-101W	MG RESISTOR	100Ω 1/16W J	
R4541	NRSA6AJ-0R0W	MG RESISTOR	0Ω 1/16W J		R4911	NRSA6AJ-101W	MG RESISTOR	100Ω 1/16W J	
R4542	NRSA6AJ-0R0W	MG RESISTOR	0Ω 1/16W J		R4912	NRSA6AJ-101W	MG RESISTOR	100Ω 1/16W J	
R4543	NRSA6AJ-0R0W	MG RESISTOR	0Ω 1/16W J		R4917	NRSA6AJ-103W	MG RESISTOR	10kΩ 1/16W J	
R4544	NRSA6AJ-0R0W	MG RESISTOR	0Ω 1/16W J		R4918	NRSA6AJ-103W	MG RESISTOR	10kΩ 1/16W J	
R4549	NRSA6AJ-0R0W	MG RESISTOR	0Ω 1/16W J		R4923	NRSA6AJ-123W	MG RESISTOR	12kΩ 1/16W J	
R4551	NRSA6AJ-102W	MG RESISTOR	1kΩ 1/16W J		R4924	NRSA6AJ-123W	MG RESISTOR	12kΩ 1/16W J	
R4552	NRSA6AJ-102W	MG RESISTOR	1kΩ 1/16W J		R4935	NRSA6AJ-104W	MG RESISTOR	100kΩ 1/16W J	
R4553	NRSA6AJ-102W	MG RESISTOR	1kΩ 1/16W J		R4945	NRSA6AJ-103W	MG RESISTOR	10kΩ 1/16W J	
R4554	NRSA6AJ-102W	MG RESISTOR	1kΩ 1/16W J		R4951	NRSA6AJ-102W	MG RESISTOR	1kΩ 1/16W J	
R4555	NRSA6AJ-102W	MG RESISTOR	1kΩ 1/16W J		R4952	NRSA6AJ-102W	MG RESISTOR	1kΩ 1/16W J	
R4556	NRSA6AJ-102W	MG RESISTOR	1kΩ 1/16W J		R4953	NRSA6AJ-102W	MG RESISTOR	1kΩ 1/16W J	
R4557	NRSA6AJ-102W	MG RESISTOR	1kΩ 1/16W J		R4954	NRSA6AJ-102W	MG RESISTOR	1kΩ 1/16W J	
R4558	NRSA6AJ-471W	MG RESISTOR	470Ω 1/16W J		R4955	NRSA6AJ-101W	MG RESISTOR	100Ω 1/16W J	
R4559	NRSA6AJ-471W	MG RESISTOR	470Ω 1/16W J		R4956	NRSA6AJ-4R7W	MG RESISTOR	4.7Ω 1/16W J	
R4562	NRSA6AJ-223W	MG RESISTOR	22kΩ 1/16W J		R4957	NRSA6AJ-4R7W	MG RESISTOR	4.7Ω 1/16W J	
R4563	NRSA6AJ-471W	MG RESISTOR	470Ω 1/16W J		R4959	NRSA6AJ-4R7W	MG RESISTOR	4.7Ω 1/16W J	
R4564	NRSA6AJ-471W	MG RESISTOR	470Ω 1/16W J		R4960	NRSA6AJ-4R7W	MG RESISTOR	4.7Ω 1/16W J	
R4565	NRSA6AJ-223W	MG RESISTOR	22kΩ 1/16W J		R4961	NRSA6AJ-271W	MG RESISTOR	270Ω 1/16W J	
R4566	NRSA6AJ-0R0W	MG RESISTOR	0Ω 1/16W J		R4962	NRSA6AJ-101W	MG RESISTOR	100Ω 1/16W J	
R4567	NRSA6AJ-471W	MG RESISTOR	470Ω 1/16W J		R5805	NRSA6AJ-473W	MG RESISTOR	47kΩ 1/16W J	
R4569	NRSA6AJ-0R0W	MG RESISTOR	0Ω 1/16W J		R5806	NRSA6AJ-474W	MG RESISTOR	470kΩ 1/16W J	
R4570	NRSA6AJ-101W	MG RESISTOR	100Ω 1/16W J		R5807	NRSA6AJ-183W	MG RESISTOR	18kΩ 1/16W J	
R4571	NRSA6AJ-0R0W	MG RESISTOR	0Ω 1/16W J		R5808	NRSA6AJ-105W	MG RESISTOR	1MΩ 1/16W J	
R4572	NRSA6AJ-0R0W	MG RESISTOR	0Ω 1/16W J		R5811	NRSA6AJ-123W	MG RESISTOR	12kΩ 1/16W J	
R4573	NRSA6AJ-0R0W	MG RESISTOR	0Ω 1/16W J		R5812	NRSA6AJ-0R0W	MG RESISTOR	0Ω 1/16W J	
R4575	NRSA6AJ-223W	MG RESISTOR	22kΩ 1/16W J		R7801	NRSA6AJ-333W	MG RESISTOR	33kΩ 1/16W J	
R4576	NRSA6AJ-393W	MG RESISTOR	39kΩ 1/16W J		R7802	NRSA6AJ-822W	MG RESISTOR	8.2kΩ 1/16W J	
R4577	NRSA6AJ-473W	MG RESISTOR	47kΩ 1/16W J		R7803	NRSA6AD-621W	MG RESISTOR	620Ω 1/16W D	
R4579	NRSA6AJ-474W	MG RESISTOR	470kΩ 1/16W J		R7804	NRSA6AD-222W	MG RESISTOR	2.2kΩ 1/16W D	
R4615	NRSA6AJ-0R0W	MG RESISTOR	0Ω 1/16W J		R7805	NRSA6AD-123W	MG RESISTOR	12kΩ 1/16W D	
R4616	NRSA6AJ-0R0W	MG RESISTOR	0Ω 1/16W J		R7807	NRSA6AJ-682W	MG RESISTOR	6.8kΩ 1/16W J	
R4617	NRSA6AJ-0R0W	MG RESISTOR	0Ω 1/16W J		R7808	NRSA6AD-621W	MG RESISTOR	620Ω 1/16W D	
R4621	NRSA6AJ-0R0W	MG RESISTOR	0Ω 1/16W J		R7809	NRSA6AD-222W	MG RESISTOR	2.2kΩ 1/16W D	
R4622	NRSA6AJ-0R0W	MG RESISTOR	0Ω 1/16W J		R7810	NRSA6AD-123W	MG RESISTOR	12kΩ 1/16W D	
R4623	NRSA6AJ-0R0W	MG RESISTOR	0Ω 1/16W J		R7812	NRSA6AJ-682W	MG RESISTOR	6.8kΩ 1/16W J	
R4643	NRSA6AJ-0R0W	MG RESISTOR	0Ω 1/16W J		R7813	NRSA6AD-621W	MG RESISTOR	620Ω 1/16W D	
R4659	NRSA6AJ-0R0W	MG RESISTOR	0Ω 1/16W J		R7814	NRSA6AD-222W	MG RESISTOR	2.2kΩ 1/16W D	
R4660	NRSA6AJ-0R0W	MG RESISTOR	0Ω 1/16W J		R7815	NRSA6AD-123W	MG RESISTOR	12kΩ 1/16W D	
R4672	NRSA6AJ-0R0W	MG RESISTOR	0Ω 1/16W J		R7817	NRSA6AJ-682W	MG RESISTOR	6.8kΩ 1/16W J	
R4673	NRSA6AJ-0R0W	MG RESISTOR	0Ω 1/16W J		R7851	NRSA6AD-333W	MG RESISTOR	33kΩ 1/16W D	
R4674	NRSA6AJ-0R0W	MG RESISTOR	0Ω 1/16W J		R7853	NRSA6AD-363W	MG RESISTOR	36kΩ 1/16W D	
R4675	NRSA6AJ-0R0W	MG RESISTOR	0Ω 1/16W J		R7854	NRSA6AD-333W	MG RESISTOR	33kΩ 1/16W D	
R4678	NRSA6AJ-331W	MG RESISTOR	330Ω 1/16W J		R7856	NRSA6AD-363W	MG RESISTOR	36kΩ 1/16W D	
R4679	NRSA6AJ-331W	MG RESISTOR	330Ω 1/16W J		R7857	NRSA6AD-333W	MG RESISTOR	33kΩ 1/16W D	
R4680	NRSA6AJ-331W	MG RESISTOR	330Ω 1/16W J		R7859	NRSA6AD-363W	MG RESISTOR	36kΩ 1/16W D	
R4681	NRSA6AJ-473W	MG RESISTOR	47kΩ 1/16W J		RA3001	NRZ0034-101W	NET RESISTOR	100Ω 1/32W J	
R4682	NRSA6AJ-471W	MG RESISTOR	470Ω 1/16W J		RA3002	NRZ0034-101W	NET RESISTOR	100Ω 1/32W J	
R4701	NRSA6AJ-103W	MG RESISTOR	10kΩ 1/16W J		RA3201	NRZ0034-100W	NET RESISTOR	10Ω 1/32W J	
R4702	NRSA6AJ-683W	MG RESISTOR	68kΩ 1/16W J		RA3202	NRZ0034-100W	NET RESISTOR	10Ω 1/32W J	
R4703	NRSA6AJ-683W	MG RESISTOR	68kΩ 1/16W J		RA4001	NRZ0034-221W	NET RESISTOR	220Ω 1/32W J	
R4704	NRSA6AJ-123W	MG RESISTOR	12kΩ 1/16W J		RA4002	NRZ0034-221W	NET RESISTOR	220Ω 1/32W J	
R4705	NRSA6AJ-564W	MG RESISTOR	560kΩ 1/16W J		RA4301	NRZ0034-104W	NET RESISTOR	100kΩ 1/32W J	
R4706	NRSA6AJ-105W	MG RESISTOR	1MΩ 1/16W J		RA4302	NRZ0034-104W	NET RESISTOR	100kΩ 1/32W J	
R4707	NRSA6AJ-243W	MG RESISTOR	24kΩ 1/16W J		RA4303	NRZ0034-104W	NET RESISTOR	100kΩ 1/32W J	
R4708	NRSA6AJ-821W	MG RESISTOR	820Ω 1/16W J		RA4304	NRZ0034-104W	NET RESISTOR	100kΩ 1/32W J	

MODEL	MARK	MODEL	MARK	MODEL	MARK
GZ-MG60EX	A	GZ-MG70EK	D	GZ-MG70EZ	G
GZ-MG60EY	B	GZ-MG70EX	E		
GZ-MG60EZ	C	GZ-MG70EY	F		

Symbol No.	Part No.	Part Name	Description	Local
L111	NRSA02J-0R0X	MG RESISTOR	0Ω 1/10W J	
L121	NRSA63J-0R0X	MG RESISTOR	0Ω 1/16W J	
L131	NQR0506-002X	EMI FILTER		
L141	NQR0129-002X	FERRITE BEADS		
L161	NQL38DK-100X	P COIL	10uH K	
L171	NQR0129-002X	FERRITE BEADS		
L1001	NQR0129-002X	FERRITE BEADS		
L1002	NQLC32M-100X	COIL	10uH M	
L2401	NQL402M-100X	COIL	10uH M	
L2402	NQL402M-100X	COIL	10uH M	
L2601	NQR0269-013X	FERRITE BEADS		
L2602	NQR0269-013X	FERRITE BEADS		
L2603	NQR0269-013X	FERRITE BEADS		
L3001	NQR0129-002X	FERRITE BEADS		
L3002	NQR0154-003X	FERRITE CORE		
L3005	NQR0006-001X	FERRITE BEADS		
L3006	NQR0129-002X	FERRITE BEADS		
L3201	NQR0129-002X	FERRITE BEADS		
L3203	NQR0129-002X	FERRITE BEADS		
L3206	NRSA02J-0R0X	MG RESISTOR	0Ω 1/10W J	
L3701	NQL38DK-100X	P COIL	10uH K	
L4003	NQR0129-002X	FERRITE BEADS		
L4004	NQR0006-001X	FERRITE BEADS		
L4005	NQR0154-003X	FERRITE CORE		
L4301	NQR0129-002X	FERRITE BEADS		
L4302	NQR0129-002X	FERRITE BEADS		
L4304	NRSA02J-0R0X	MG RESISTOR	0Ω 1/10W J	
L4501	NQR0006-001X	FERRITE BEADS		
L4503	NQR0006-001X	FERRITE BEADS		
L4504	NQR0006-001X	FERRITE BEADS		
L4505	NQR0006-001X	FERRITE BEADS		
L4506	NQR0006-001X	FERRITE BEADS		
L4902	NQL38DK-100X	P COIL	10uH K	
L4954	NQL38DK-100X	P COIL	10uH K	
L4955	NQL38DK-100X	P COIL	10uH K	
L5801	NQR0129-002X	FERRITE BEADS		
L5851	NQR0129-002X	FERRITE BEADS		
L7801	NRSA02J-0R0X	MG RESISTOR	0Ω 1/10W J	
L7851	NRSA02J-0R0X	MG RESISTOR	0Ω 1/10W J	

Symbol No.	Part No.	Part Name	Description	Local
C5210	NCB21CK-105X	C CAPACITOR	1uF 16V K	
C5211	NCB31HK-102X	C CAPACITOR	1000pF 50V K	
R5201	NRSA63J-0R0X	MG RESISTOR	0Ω 1/16W J	
R5202	NRSA63J-0R0X	MG RESISTOR	0Ω 1/16W J	
R5203	NRSA63J-101X	MG RESISTOR	100Ω 1/16W J	
R5204	NRSA63J-101X	MG RESISTOR	100Ω 1/16W J	
R5205	NRSA63J-332X	MG RESISTOR	3.3kΩ 1/16W J	
R5206	NRSA63J-332X	MG RESISTOR	3.3kΩ 1/16W J	
R5207	NRSA63J-0R0X	MG RESISTOR	0Ω 1/16W J	
L5201	NQL38DK-100X	P COIL	10uH K	
CN201	QGB0801M4-30X	CONNECTOR	B-B (1-30)	

REAR BOARD ASSEMBLY <03>

Symbol No.	Part No.	Part Name	Description	Local
PW2	LYA10062-01B2	REAR BOARD ASSY		
IC6001	FA7725F	IC		
IC6002	LTC4412ES6-W	IC		
Q6003	SP8J5-X	MOS FET		
Q6101	RSR025P03-X	MOS FET		
Q6102	RSR025N03-X	MOS FET		
Q6201	RSR025P03-X	MOS FET		
Q6202	RSR025N03-X	MOS FET		
Q6301	RSR025P03-X	MOS FET		
Q6302	RTF020P02-X	MOS FET		
Q6303	2SC4617/QR/-X	TRANSISTOR		
Q6303	or BC847BT-X	TRANSISTOR		
Q6303	or 2SD2216J/QR/-X	TRANSISTOR		
Q6303	or 2SC4738/YG/-X	TRANSISTOR		
Q6401	RSR025P03-X	MOS FET		
Q6402	RTF020P02-X	MOS FET		
Q6403	2SC4617/QR/-X	TRANSISTOR		
Q6403	or BC847BT-X	TRANSISTOR		
Q6403	or 2SD2216J/QR/-X	TRANSISTOR		
Q6403	or 2SC4738/YG/-X	TRANSISTOR		
Q6404	RTF020P02-X	MOS FET		
Q6501	RSR025P03-X	MOS FET		
Q6502	2SD2703-X	TRANSISTOR		
Q6503	UMT1N-W	PAIR TRANSISTOR		
Q6503	or HN1A01FU/G/-X	PAIR TRANSISTOR		
Q6503	or BC856S-X	PAIR TRANSISTOR		
Q6506	DTC144EE-X	DIGI TRANSISTOR		
Q6506	or BCR148T-X	DIGI TRANSISTOR		
Q6506	or UN9213J-X	DIGI TRANSISTOR		
Q6506	or PDTCT144EE-X	DIGI TRANSISTOR		
Q6701	RSR025P03-X	MOS FET		
Q6702	RSR025P03-X	MOS FET		
Q6703	RSR025P03-X	MOS FET		

D601	EMZ6.8N-X	Z DIODE	BATT	
D602	UDZS16B-X	Z DIODE		
D6101	RB160M-30-X	SB DIODE		
D6201	RB160M-30-X	SB DIODE		
D6301	RB160M-30-X	SB DIODE		
D6302	1SS355-X	SI DIODE		
D6302	or MA111-X	SI DIODE		
D6401	1SS355-X	SI DIODE		
D6401	or MA111-X	SI DIODE		
D6402	RB160M-30-X	SB DIODE		
D6501	RB481K-X	SB DIODE		
D6502	RB481K-X	SB DIODE		
D6701	RB160M-30-X	SB DIODE		
D6702	RB160M-30-X	SB DIODE		
D6801	RB551V-30-X	SB DIODE		
D6901	MA8068-X	Z DIODE		

C601	NCB31EK-104X	C CAPACITOR	0.1uF 25V K	
C603	NCB31EK-104X	C CAPACITOR	0.1uF 25V K	
C6006	NCBA1AK-104W	C CAPACITOR	0.1uF 10V K	
C6007	NCBA1AK-104W	C CAPACITOR	0.1uF 10V K	

CCD BOARD ASSEMBLY <02>

Symbol No.	Part No.	Part Name	Description	Local
PW1	LYA10062-01B1	CCD BOARD ASSY		
Q5201	2SC4083/NP/-X	TRANSISTOR		
Q5202	2SC4083/NP/-X	TRANSISTOR		
C5207	NBZ0018-106X	TA E CAPACITOR	10uF 20V M	
C5208	NCB31EK-104X	C CAPACITOR	0.1uF 25V K	
C5209	NCB31HK-103X	C CAPACITOR	0.01uF 50V K	

MODEL	MARK	MODEL	MARK	MODEL	MARK
GZ-MG60EX	A	GZ-MG70EK	D	GZ-MG70EZ	G
GZ-MG60EY	B	GZ-MG70EX	E		
GZ-MG60EZ	C	GZ-MG70EY	F		

△ Symbol No.	Part No.	Part Name	Description	Local	△ Symbol No.	Part No.	Part Name	Description	Local
C6008	NCJ21CK-475X-R	C CAPACITOR	4.7uF 16V K		R6306	NRSA63J-0R0X	MG RESISTOR	0Ω 1/16W J	
C6009	NCB21CK-224X	C CAPACITOR	0.22uF 16V K		R6310	NRSA6AJ-473W	MG RESISTOR	47kΩ 1/16W J	
C6010	NCJA0JK-105W-A	C CAPACITOR	1uF 6.3V K		R6311	NRSA6AJ-185W	MG RESISTOR	1.8MΩ 1/16W J	
C6011	NCJ21CK-475X-R	C CAPACITOR	4.7uF 16V K		R6313	NRSA6AJ-102W	MG RESISTOR	1kΩ 1/16W J	
C6017	NCBA1AK-104W	C CAPACITOR	0.1uF 10V K		R6401	NRSA6AJ-103W	MG RESISTOR	10kΩ 1/16W J	
C6018	NCBA1AK-104W	C CAPACITOR	0.1uF 10V K		R6402	NRSA6AD-123W	MG RESISTOR	12kΩ 1/16W D	
C6101	NCB21CK-105X	C CAPACITOR	1uF 16V K		R6403	NRSA6AJ-822W	MG RESISTOR	8.2kΩ 1/16W J	
C6102	NCB10JK-106X	C CAPACITOR	10uF 6.3V K		R6404	NRSA6AD-562W	MG RESISTOR	5.6kΩ 1/16W D	
C6103	NCBA1HK-221W	C CAPACITOR	220pF 50V K		R6405	NRSA6AJ-0R0W	MG RESISTOR	0Ω 1/16W J	
C6104	NCBA1HK-102W	C CAPACITOR	1000pF 50V K		R6406	NRSA6AJ-473W	MG RESISTOR	47kΩ 1/16W J	
C6201	NCB21CK-105X	C CAPACITOR	1uF 16V K		R6407	NRSA6AJ-185W	MG RESISTOR	1.8MΩ 1/16W J	
C6202	NCB10JK-106X	C CAPACITOR	10uF 6.3V K		R6409	NRSA6AJ-102W	MG RESISTOR	1kΩ 1/16W J	
C6203	NCBA1HK-102W	C CAPACITOR	1000pF 50V K		R6410	NRSA63J-0R0X	MG RESISTOR	0Ω 1/16W J	
C6204	NCBA1HK-221W	C CAPACITOR	220pF 50V K		R6412	NRSA6AJ-185W	MG RESISTOR	1.8MΩ 1/16W J	
C6301	NCB21CK-105X	C CAPACITOR	1uF 16V K		R6502	NRSA6AD-104W	MG RESISTOR	100kΩ 1/16W D	
C6302	NCB10JK-106X	C CAPACITOR	10uF 6.3V K		R6503	NRSA6AD-913W	MG RESISTOR	91kΩ 1/16W D	
C6303	NCBA1HK-681W	C CAPACITOR	680pF 50V K		R6504	NRSA6AJ-103W	MG RESISTOR	10kΩ 1/16W J	
C6305	NCBA1HK-221W	C CAPACITOR	220pF 50V K		R6505	NRSA6AJ-333W	MG RESISTOR	33kΩ 1/16W J	
C6401	NCB21CK-105X	C CAPACITOR	1uF 16V K		R6507	NRSA6AJ-754W	MG RESISTOR	750kΩ 1/16W J	
C6402	NCB10JK-106X	C CAPACITOR	10uF 6.3V K		R6509	NRSA63J-0R0X	MG RESISTOR	0Ω 1/16W J	
C6403	NCBA1HK-681W	C CAPACITOR	680pF 50V K		R6512	NRSA6AJ-473W	MG RESISTOR	47kΩ 1/16W J	
C6405	NCBA1HK-221W	C CAPACITOR	220pF 50V K		R6513	NRSA6AJ-272W	MG RESISTOR	2.7kΩ 1/16W J	
C6501	NCB21CK-105X	C CAPACITOR	1uF 16V K		R6518	NRSA6AJ-104W	MG RESISTOR	100kΩ 1/16W J	
C6502	NCF21CZ-105X	C CAPACITOR	1uF 16V Z		R6519	NRSA6AJ-823W	MG RESISTOR	82kΩ 1/16W J	
C6503	NCB11EK-105X	C CAPACITOR	1uF 25V K		R6702	NRV142F-R20X	CMF RESISTOR	0.2Ω 1/4W F	
C6504	NCB11CK-475X	C CAPACITOR	4.7uF 16V K		R6703	NRSA6AJ-105W	MG RESISTOR	1MΩ 1/16W J	
C6505	NCF21CZ-105X	C CAPACITOR	1uF 16V Z		R6704	NRSA6AJ-105W	MG RESISTOR	1MΩ 1/16W J	
C6506	NCB11EK-105X	C CAPACITOR	1uF 25V K		R6708	NRSA6AD-133W	MG RESISTOR	13kΩ 1/16W D	
C6507	NCB31EK-104X	C CAPACITOR	0.1uF 25V K		R6709	NRSA6AD-104W	MG RESISTOR	100kΩ 1/16W D	
C6508	NCB21CK-105X	C CAPACITOR	1uF 16V K		R6710	NRSA6AJ-124W	MG RESISTOR	120kΩ 1/16W J	
C6509	NCBA1AK-333W	C CAPACITOR	0.033uF 10V K		R6712	NRSA6AJ-561W	MG RESISTOR	560Ω 1/16W J	
C6510	NCBA1AK-473W	C CAPACITOR	0.047uF 10V K		R6713	NRSA6AJ-224W	MG RESISTOR	220kΩ 1/16W J	
C6511	NCB21CK-105X	C CAPACITOR	1uF 16V K		R6714	NRSA6AJ-472W	MG RESISTOR	4.7kΩ 1/16W J	
C6512	NCB31CK-104X	C CAPACITOR	0.1uF 16V K		R6715	NRSA6AD-472W	MG RESISTOR	4.7kΩ 1/16W D	
C6701	NCB21CK-105X	C CAPACITOR	1uF 16V K		R6716	NRSA6AJ-822W	MG RESISTOR	8.2kΩ 1/16W J	
C6702	NCB41CK-106X	C CAPACITOR	10uF 16V K		R6717	NRSA6AD-183W	MG RESISTOR	18kΩ 1/16W D	
C6704	NCBA1EK-472W	C CAPACITOR	4700pF 25V K		R6718	NRSA6AJ-0R0W	MG RESISTOR	0Ω 1/16W J	
C6705	NCBA1CK-103W	C CAPACITOR	0.01uF 16V K		R6719	NRSA63J-0R0X	MG RESISTOR	0Ω 1/16W J	
C6706	NCBA1HK-221W	C CAPACITOR	220pF 50V K		R6802	NRSA6AJ-472W	MG RESISTOR	4.7kΩ 1/16W J	
C6707	NCBA1HK-821W	C CAPACITOR	820pF 50V K		R6803	NRSA6AJ-102W	MG RESISTOR	1kΩ 1/16W J	
C6802	NCB10JK-106X	C CAPACITOR	10uF 6.3V K		L6101	NQL52EM-390X	COIL	39uH M	
C6803	NCBA1HK-102W	C CAPACITOR	1000pF 50V K		L6201	NQL52EM-680X	COIL	68uH M	
C6804	NCBA1HK-392W	C CAPACITOR	3900pF 50V K		L6301	NQL52EM-390X	COIL	39uH M	
R601	NRSA6AJ-103W	MG RESISTOR	10kΩ 1/16W J		L6401	NQL52EM-390X	COIL	39uH M	
R602	NRSA6AJ-332W	MG RESISTOR	3.3kΩ 1/16W J		L6501	NQL52EM-221X	COIL	220uH M	
R603	NRSA6AJ-0R0W	MG RESISTOR	0Ω 1/16W J		L6502	NQL38DK-100X	P COIL	10uH K	
R6001	NRSA6AJ-102W	MG RESISTOR	1kΩ 1/16W J		L6701	NQL52EM-470X	COIL	47uH M	
R6002	NRSA6AJ-102W	MG RESISTOR	1kΩ 1/16W J		L6801	NQL79GM-470X	COIL	47uH M	
R6003	NRSA6AJ-102W	MG RESISTOR	1kΩ 1/16W J		CN6001	QGF0508F1-53X	CONNECTOR	FFC/FPC (1-53)	
R6004	NRSA6AJ-102W	MG RESISTOR	1kΩ 1/16W J		△ F6001	NMFZ007-2R5X-K	FUSE	2.5A 24V	
R6005	NRSA6AD-303W	MG RESISTOR	30kΩ 1/16W D		△ F6002	NMFZ007-2R5X-K	FUSE	2.5A 24V	
R6007	NRSA6AD-473W	MG RESISTOR	47kΩ 1/16W D		△ F6301	NMFZ007-1R25X-K	FUSE	1.25A 32V	
R6008	NRSA6AD-823W	MG RESISTOR	82kΩ 1/16W D		△ F6501	NMFZ007-R80X-K	FUSE	0.8A 32V	
R6009	NRSA6AD-333W	MG RESISTOR	33kΩ 1/16W D		J601	QNA0039-001	DC JACK	DC JACK	
R6010	NRSA63J-0R0X	MG RESISTOR	0Ω 1/16W J		S601	NSW0223-001X	TACT SWITCH	TRIG SW	
R6014	NRSA02J-0R0X	MG RESISTOR	0Ω 1/10W J		OT1	LY30034-0Y7A	SPACER(A)		
R6015	NRSA02J-0R0X	MG RESISTOR	0Ω 1/10W J		OT2	LY30034-0W7B	SPACER(A)		
R6016	NRSA6AJ-104W	MG RESISTOR	100kΩ 1/16W J		TB1	LY34726-001A	BATT. TERMINAL		
R6021	NRSA6AJ-474W	MG RESISTOR	470kΩ 1/16W J		WR1	QAL0782-001	FPC		
R6034	NRSA6AJ-0R0W	MG RESISTOR	0Ω 1/16W J						
R6101	NRSA63J-0R0X	MG RESISTOR	0Ω 1/16W J						
R6102	NRSA63J-0R0X	MG RESISTOR	0Ω 1/16W J						
R6103	NRSA6AJ-822W	MG RESISTOR	8.2kΩ 1/16W J						
R6104	NRSA6AJ-0R0W	MG RESISTOR	0Ω 1/16W J						
R6105	NRSA6AJ-0R0W	MG RESISTOR	0Ω 1/16W J						
R6111	NRSA6AD-473W	MG RESISTOR	47kΩ 1/16W D						
R6112	NRSA6AD-113W	MG RESISTOR	11kΩ 1/16W D						
R6201	NRSA63J-0R0X	MG RESISTOR	0Ω 1/16W J						
R6203	NRSA6AJ-0R0W	MG RESISTOR	0Ω 1/16W J						
R6204	NRSA6AJ-822W	MG RESISTOR	8.2kΩ 1/16W J						
R6205	NRSA6AD-823W	MG RESISTOR	82kΩ 1/16W D						
R6206	NRSA6AD-363W	MG RESISTOR	36kΩ 1/16W D						
R6301	NRSA6AJ-0R0W	MG RESISTOR	0Ω 1/16W J						
R6302	NRSA6AJ-103W	MG RESISTOR	10kΩ 1/16W J						
R6303	NRSA6AJ-822W	MG RESISTOR	8.2kΩ 1/16W J						
R6304	NRSA6AD-303W	MG RESISTOR	30kΩ 1/16W D						
R6305	NRSA6AD-133W	MG RESISTOR	13kΩ 1/16W D						

CDS BOARD ASSEMBLY <04>

△ Symbol No.	Part No.	Part Name	Description	Local
PW1	LYA10061-01B	CDS BOARD ASSY		
IC4101	AD9942BBCZ	IC		
IC5001	MN52B8	IC	CG	
IC5002	R1100D351C-X	IC	3.5V-REG	
IC5102	MN31121SAS-X	IC	V-DR	
IC5901	TC75S54FU-X	IC		
IC5901	or NJU7008F3-X	IC		
IC5952	NAL0028-001X	GYRO SENSOR	MURATA	

MODEL	MARK	MODEL	MARK	MODEL	MARK
GZ-MG60EX	A	GZ-MG70EK	D	GZ-MG70EZ	G
GZ-MG60EY	B	GZ-MG70EX	E		
GZ-MG60EZ	C	GZ-MG70EY	F		

△ Symbol No.	Part No.	Part Name	Description	Local
D5101	1SS355-X	SI DIODE	V-DR	
D5101	or MA111-X	SI DIODE	V-DR	
C4104	NCB31CK-104X	C CAPACITOR	0.1uF 16V K	
C4105	NCB31CK-104X	C CAPACITOR	0.1uF 16V K	
C4106	NCB20JK-475X	C CAPACITOR	4.7uF 6.3V K	
C4107	NCB20JK-475X	C CAPACITOR	4.7uF 6.3V K	
C4108	NCB20JK-475X	C CAPACITOR	4.7uF 6.3V K	
C4109	NCBA1AK-104W	C CAPACITOR	0.1uF 10V K	
C4110	NCB20JK-475X	C CAPACITOR	4.7uF 6.3V K	
C4111	NCB30JK-105X	C CAPACITOR	1uF 6.3V K	
C4112	NCB30JK-105X	C CAPACITOR	1uF 6.3V K	
C4113	NCB20JK-475X	C CAPACITOR	4.7uF 6.3V K	
C4114	NCB20JK-475X	C CAPACITOR	4.7uF 6.3V K	
C4115	NCBA1AK-104W	C CAPACITOR	0.1uF 10V K	
C4116	NCB20JK-475X	C CAPACITOR	4.7uF 6.3V K	
C4117	NCB30JK-105X	C CAPACITOR	1uF 6.3V K	
C4118	NCB30JK-105X	C CAPACITOR	1uF 6.3V K	
C5001	NCB30JK-105X	C CAPACITOR	1uF 6.3V K	
C5002	NCB30JK-105X	C CAPACITOR	1uF 6.3V K	
C5004	NCB20JK-475X	C CAPACITOR	4.7uF 6.3V K	
C5005	NCBA1AK-104W	C CAPACITOR	0.1uF 10V K	
C5006	NCBA1AK-104W	C CAPACITOR	0.1uF 10V K	
C5007	NCBA1AK-104W	C CAPACITOR	0.1uF 10V K	
C5008	NCJ20JK-106X-D	C CAPACITOR	10uF 6.3V K	
C5009	NCBA1AK-104W	C CAPACITOR	0.1uF 10V K	
C5010	NCBA1AK-104W	C CAPACITOR	0.1uF 10V K	
C5012	NCJ20JK-106X-D	C CAPACITOR	10uF 6.3V K	
C5101	NBZ0018-106X	TA E CAPACITOR	10uF 20V M	
C5102	NCB31EK-104X	C CAPACITOR	0.1uF 25V K	
C5104	NBP21CM-106X	TA E CAPACITOR	10uF 16V M	
C5106	NCB31EK-104X	C CAPACITOR	0.1uF 25V K	
C5107	NCBA1AK-104W	C CAPACITOR	0.1uF 10V K	
C5108	NCBA1AK-104W	C CAPACITOR	0.1uF 10V K	
C5901	NBE90JM-106X	TA E CAPACITOR	10uF 6.3V M	
C5906	NCBA1CK-103W	C CAPACITOR	0.01uF 16V K	
C5907	NCB21AK-225X	C CAPACITOR	2.2uF 10V K	
C5908	NCBA1HK-331W	C CAPACITOR	330pF 50V K	
C5909	NBE20JM-475X	TA E CAPACITOR	4.7uF 6.3V M	
C5910	NCBA1HK-331W	C CAPACITOR	330pF 50V K	
C5912	NCBA1AK-104W	C CAPACITOR	0.1uF 10V K	
C5951	NBE90JM-106X	TA E CAPACITOR	10uF 6.3V M	
C5953	NCBA1AK-104W	C CAPACITOR	0.1uF 10V K	
R4102	NRSA6AJ-471W	MG RESISTOR	470Ω 1/16W J	
R4103	NRSA6AJ-471W	MG RESISTOR	470Ω 1/16W J	
R4104	NRSA6AJ-471W	MG RESISTOR	470Ω 1/16W J	
R4105	NRSA6AJ-471W	MG RESISTOR	470Ω 1/16W J	
R4106	NRSA6AJ-471W	MG RESISTOR	470Ω 1/16W J	
R4107	NRSA6AJ-471W	MG RESISTOR	470Ω 1/16W J	
R4108	NRSA6AJ-471W	MG RESISTOR	470Ω 1/16W J	
R4109	NRSA6AJ-471W	MG RESISTOR	470Ω 1/16W J	
R4110	NRSA6AJ-471W	MG RESISTOR	470Ω 1/16W J	
R4111	NRSA6AJ-471W	MG RESISTOR	470Ω 1/16W J	
R4112	NRSA6AJ-471W	MG RESISTOR	470Ω 1/16W J	
R4113	NRSA6AJ-471W	MG RESISTOR	470Ω 1/16W J	
R4114	NRSA6AJ-471W	MG RESISTOR	470Ω 1/16W J	
R4116	NRSA6AJ-471W	MG RESISTOR	470Ω 1/16W J	
R4117	NRSA6AJ-471W	MG RESISTOR	470Ω 1/16W J	
R4118	NRSA6AJ-471W	MG RESISTOR	470Ω 1/16W J	
R4119	NRSA6AJ-471W	MG RESISTOR	470Ω 1/16W J	
R4120	NRSA6AJ-471W	MG RESISTOR	470Ω 1/16W J	
R4121	NRSA6AJ-471W	MG RESISTOR	470Ω 1/16W J	
R4122	NRSA6AJ-471W	MG RESISTOR	470Ω 1/16W J	
R4123	NRSA6AJ-471W	MG RESISTOR	470Ω 1/16W J	
R4124	NRSA6AJ-471W	MG RESISTOR	470Ω 1/16W J	
R4125	NRSA6AJ-471W	MG RESISTOR	470Ω 1/16W J	
R4126	NRSA6AJ-471W	MG RESISTOR	470Ω 1/16W J	
R4127	NRSA6AJ-471W	MG RESISTOR	470Ω 1/16W J	
R4128	NRSA6AJ-471W	MG RESISTOR	470Ω 1/16W J	
R5001	NRSA6AJ-100W	MG RESISTOR	10Ω 1/16W J	
R5002	NRSA6AJ-100W	MG RESISTOR	10Ω 1/16W J	
R5003	NRSA6AJ-100W	MG RESISTOR	10Ω 1/16W J	
R5004	NRSA6AJ-0R0W	MG RESISTOR	0Ω 1/16W J	
R5005	NRSA6AJ-0R0W	MG RESISTOR	0Ω 1/16W J	
R5006	NRSA6AJ-0R0W	MG RESISTOR	0Ω 1/16W J	
R5007	NRSA6AJ-0R0W	MG RESISTOR	0Ω 1/16W J	
R5008	NRSA6AJ-0R0W	MG RESISTOR	0Ω 1/16W J	

△ Symbol No.	Part No.	Part Name	Description	Local
R5017	NRSA6AJ-0R0W	MG RESISTOR	0Ω 1/16W J	
R5018	NRSA6AJ-0R0W	MG RESISTOR	0Ω 1/16W J	
R5905	NRSA6AJ-473W	MG RESISTOR	47kΩ 1/16W J	
R5906	NRSA6AJ-474W	MG RESISTOR	470kΩ 1/16W J	
R5907	NRSA6AJ-183W	MG RESISTOR	18kΩ 1/16W J	
R5908	NRSA6AJ-105W	MG RESISTOR	1MΩ 1/16W J	
R5911	NRSA6AJ-123W	MG RESISTOR	12kΩ 1/16W J	
R5912	NRSA6AJ-0R0W	MG RESISTOR	0Ω 1/16W J	
L4101	NQR0006-001X	FERRITE BEADS		
L4102	NQR0006-001X	FERRITE BEADS		
L5001	NQL38DK-100X	P COIL	10uH K	
L5002	NQR0129-002X	FERRITE BEADS		
L5101	NQL38DK-100X	P COIL	10uH K	
L5102	NQL38DK-100X	P COIL	10uH K	
L5901	NQR0129-002X	FERRITE BEADS		
L5951	NQR0129-002X	FERRITE BEADS		
CN801	QGB0801L2-30X	CONNECTOR	CCD B-B (1-30)	
CN802	QGF0309F1-53X	CONNECTOR	MAIN FFC/FPC (1-53)	
CN803	QGA1002F1-04X	CONNECTOR	MAIN W-B (1-4)	
TP4101	NNZ0084-002X	EARTH TERMINAL		
X5001	NAX0674-001X	CXO		
OT1	LY30034-021A	SPACER(A)		
WR1	WJA0047-001A-E	E-S ID WIRE		

OPE BOARD ASSEMBLY <05>

△ Symbol No.	Part No.	Part Name	Description	Local
PW1	LYA10060-01B1	OPE BOARD ASSY		E
PW1	LYA10060-01C1	OPE BOARD ASSY		A,B,C,D,F,G
IC421	RS-751-X	IC(PHOTO SENSOR)		
D401	SML-A12UT-X	LED	POW/CHG	
D402	SMLA12BC4T-X	LED	DRV_ACCESS	
D403	MA8068-X	Z DIODE	LCD_OPN SW	
D403	or UDZS6.8B-X	Z DIODE	LCD_OPN SW	
C423	NCB31HK-471X	C CAPACITOR	470pF 50V K	
C451	NCB31EK-103X	C CAPACITOR	0.01uF 25V K	
C452	NCB31EK-103X	C CAPACITOR	0.01uF 25V K	
C455	NCB31EK-103X	C CAPACITOR	0.01uF 25V K	
C456	NEAF0GM-337X	E CAPACITOR	330uF 4V M	
C457	NEAF0GM-337X	E CAPACITOR	330uF 4V M	
R401	NRSA63J-103X	MG RESISTOR	10kΩ 1/16W J	
R402	NRSA63J-332X	MG RESISTOR	3.3kΩ 1/16W J	
R403	NRSA63J-682X	MG RESISTOR	6.8kΩ 1/16W J	
R404	NRSA63J-223X	MG RESISTOR	22kΩ 1/16W J	
R405	NRSA63J-103X	MG RESISTOR	10kΩ 1/16W J	
R406	NRSA63J-332X	MG RESISTOR	3.3kΩ 1/16W J	
R407	NRSA63J-682X	MG RESISTOR	6.8kΩ 1/16W J	
R421	NRSA63J-470X	MG RESISTOR	47Ω 1/16W J	
R451	NRSA63J-101X	MG RESISTOR	100Ω 1/16W J	
R452	NRSA63J-101X	MG RESISTOR	100Ω 1/16W J	
R454	NRSA63J-0R0X	MG RESISTOR	0Ω 1/16W J	
R455	NRSA63J-680X	MG RESISTOR	68Ω 1/16W J	
R456	NRSA63J-680X	MG RESISTOR	68Ω 1/16W J	
L451	NQR0251-004X	FERRITE BEADS		
L452	NQR0251-004X	FERRITE BEADS		
L453	NRSA63J-0R0X	MG RESISTOR	0Ω 1/16W J	
L454	NRSA63J-0R0X	MG RESISTOR	0Ω 1/16W J	
L455	NRSA63J-0R0X	MG RESISTOR	0Ω 1/16W J	
CN401	QGF0547C2-50X	CONNECTOR	MAIN PWB FFC/FPC (1-50)	
CN402	QGF0503F4-24X	CONNECTOR	MONI FFC/FPC (1-24)	
J401	QNS0078-001	3.5 JACK	AV JACK	
J402	QND0078-001	S JACK	S JACK	
S401	NSW0260-001X	SLIDE SWITCH	POWER_CHRG	
S402	NSW0161-001X	DETECT SWITCH	LCD_OPEN	
S403	NSW0099-001X	SLIDE SWITCH	MOV/STILL	
S404	NSW0198-001X	TACT SWITCH	INFO	
S405	NSW0198-001X	TACT SWITCH	PB/SET	

MODEL	MARK	MODEL	MARK	MODEL	MARK
GZ-MG60EX	A	GZ-MG70EK	D	GZ-MG70EZ	G
GZ-MG60EY	B	GZ-MG70EX	E		
GZ-MG60EZ	C	GZ-MG70EY	F		

△ Symbol No.	Part No.	Part Name	Description	Local
S406	NSW0198-001X	TACT SWITCH	DOWN	
S407	NSW0198-001X	TACT SWITCH	LEFT	
S408	NSW0198-001X	TACT SWITCH	RIGHT	
S409	NSW0198-001X	TACT SWITCH	UP	
S410	NSW0198-001X	TACT SWITCH	MENU	
S411	NSW0198-001X	TACT SWITCH	NIGHT EYE	
S412	NSW0198-001X	TACT SWITCH	TRASH	
S413	NSW0272-001X	TACT SWITCH	RESET	
OT1	LY30034-003A	SPACER(A)		

MONI-BL BOARD ASSEMBLY <06>

△ Symbol No.	Part No.	Part Name	Description	Local
PW2	LYA10060-02B2	MONI-BL BOARD ASSY		E
PW2	LYA10060-02C2	MONI-BL BOARD ASSY		A,B,C,D,FG
IC7601	DN8797MS-X	IC		
Q7702	UMD3N-W	DIGI TRANSISTOR		
Q7703	UMX1N-W	PAIR TRANSISTOR		
Q7703	or BC847S-X	PAIR TRANSISTOR		
Q7703	or PUMX1-W	PAIR TRANSISTOR		
Q7703	or XP4501-W	TRANSISTOR		
D7602	RB521S-30-X	SB DIODE		
D7603	RB521S-30-X	SB DIODE		
D7604	RB521S-30-X	SB DIODE		
D7605	RB521S-30-X	SB DIODE		
C7602	NCB10JK-106X	C CAPACITOR	10uF 6.3V K	
C7603	NCB21CK-105X	C CAPACITOR	1uF 16V K	
C7604	NCB21CK-105X	C CAPACITOR	1uF 16V K	
C7605	NCB21CK-105X	C CAPACITOR	1uF 16V K	
C7606	NCB21CK-105X	C CAPACITOR	1uF 16V K	
C7607	NCB21CK-105X	C CAPACITOR	1uF 16V K	
C7608	NCB11EK-105X	C CAPACITOR	1uF 25V K	
C7609	NCB21CK-105X	C CAPACITOR	1uF 16V K	
C7610	NCB11EK-105X	C CAPACITOR	1uF 25V K	
C7611	NCB11EK-105X	C CAPACITOR	1uF 25V K	
C7612	NCB21CK-105X	C CAPACITOR	1uF 16V K	
C7613	NCB31EK-153X	C CAPACITOR	0.015uF 25V K	
C7614	NCB31CK-224X	C CAPACITOR	0.22uF 16V K	
C7615	NCB31EK-104X	C CAPACITOR	0.1uF 25V K	
C7703	NCB31EK-103X	C CAPACITOR	0.01uF 25V K	
C7704	NCB31EK-104X	C CAPACITOR	0.1uF 25V K	
R7601	NRSA63J-0R0X	MG RESISTOR	0Ω 1/16W J	
R7603	NRSA63J-0R0X	MG RESISTOR	0Ω 1/16W J	
R7605	NRSA63J-0R0X	MG RESISTOR	0Ω 1/16W J	
R7606	NRSA63J-0R0X	MG RESISTOR	0Ω 1/16W J	
R7607	NRSA63D-223X	MG RESISTOR	22kΩ 1/16W D	
R7608	NRSA63J-106X	MG RESISTOR	10MΩ 1/16W J	
R7609	NRSA63J-104X	MG RESISTOR	100kΩ 1/16W J	
R7610	NRSA63J-0R0X	MG RESISTOR	0Ω 1/16W J	
R7702	NRSA63J-0R0X	MG RESISTOR	0Ω 1/16W J	
R7703	NRSA63J-332X	MG RESISTOR	3.3kΩ 1/16W J	
R7705	NRSA63J-102X	MG RESISTOR	1kΩ 1/16W J	
R7706	NRSA63J-240X	MG RESISTOR	24Ω 1/16W J	
L7602	NQL38DK-101X	P COIL	100uH K	
CN7601	QGF0530F5-12W	CONNECTOR	OPE FFC/FPC (1-12)	
CN7602	QGF0530F5-12W	CONNECTOR	OPE FFC/FPC (1-12)	
CN7603	QGF0528F1-40X	CONNECTOR	LCD FFC/FPC (1-40)	
CN7701	QGF0530F6-06W	CONNECTOR	LED BL FFC/FPC (1-6)	
WR1	QAL0687-001	FPC		