

PARTS LIST

SAFETY PRECAUTION

Parts identified by the \triangle symbol are critical for safety. Replace only with specified part numbers.

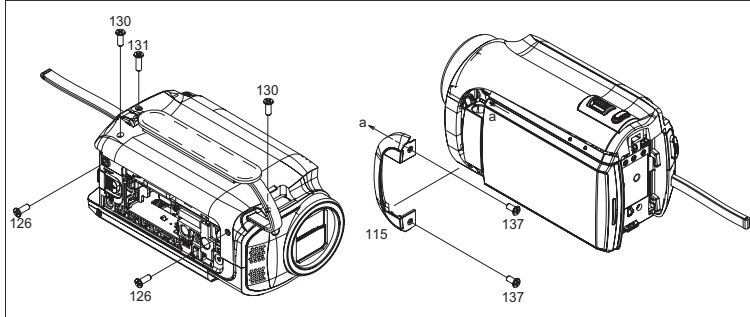
BEWARE OF BOGUS PARTS

Parts that do not meet specifications may cause trouble in regard to safety and performance. We recommend that genuine JVC parts be used.

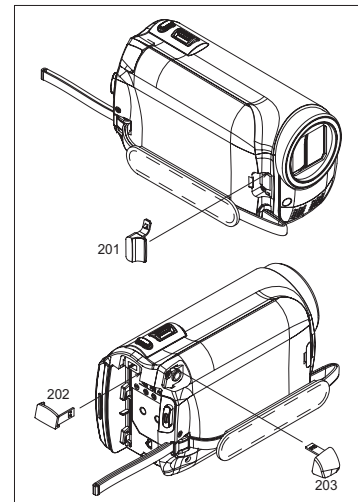
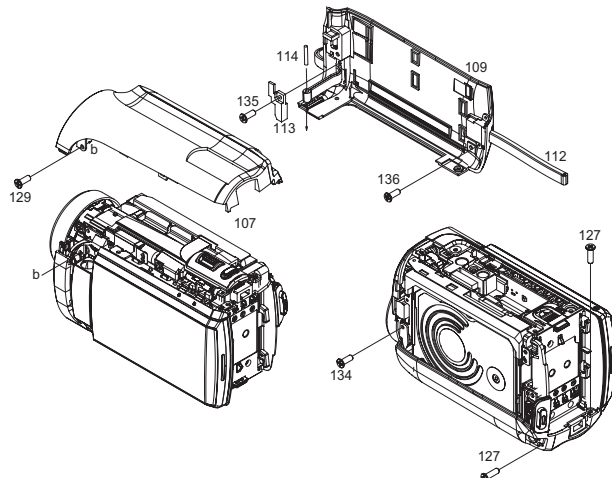
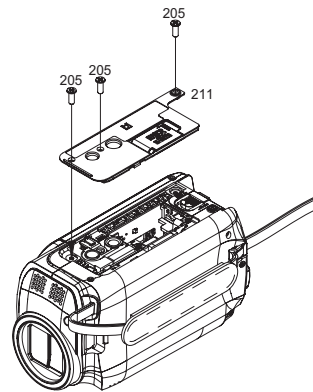
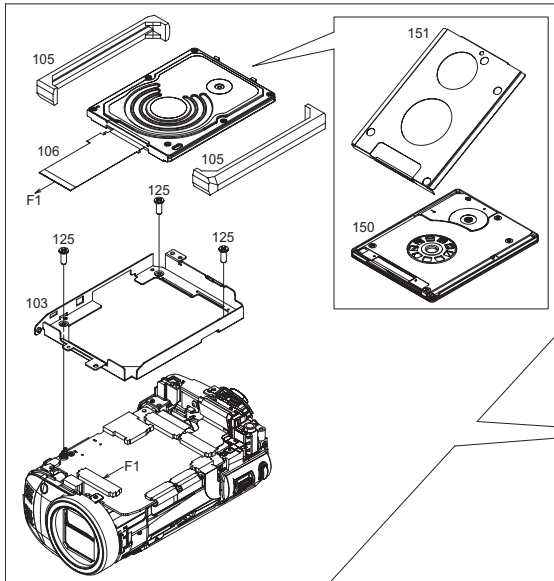
1. EXPLODED VIEW

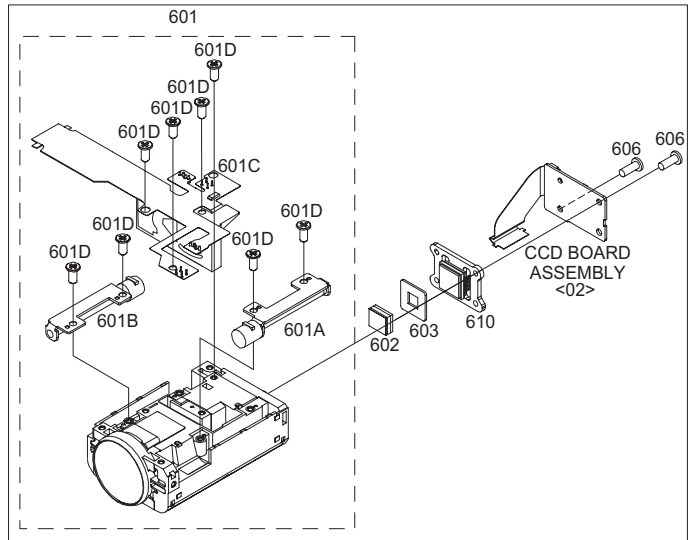
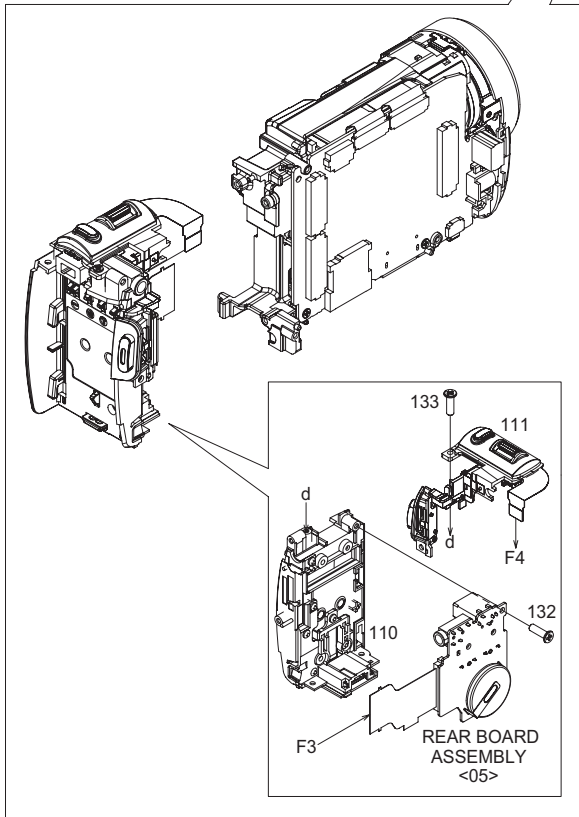
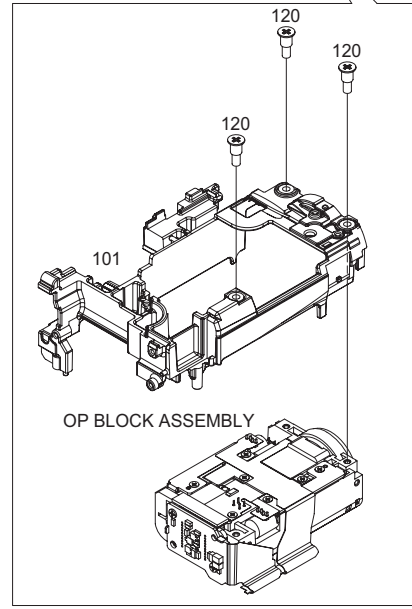
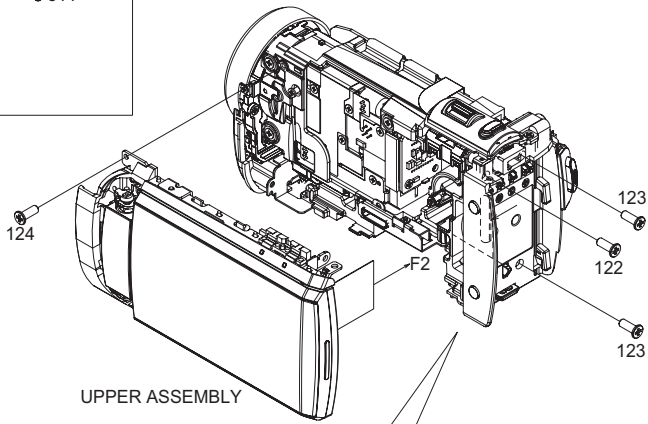
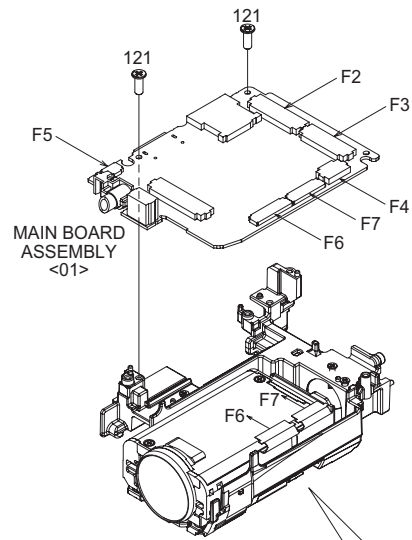
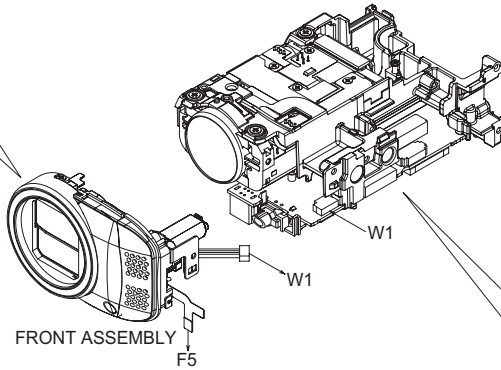
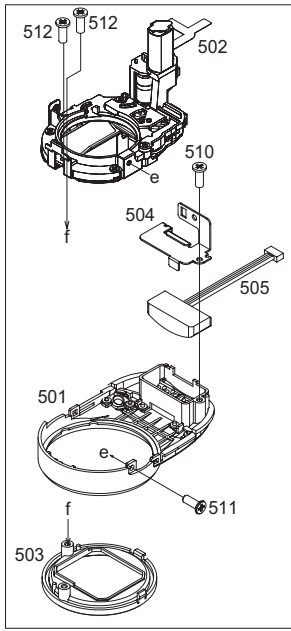
1.1 FINAL ASSEMBLY <M1>

The instruction manual to be provided with this product will differ according to the destination.

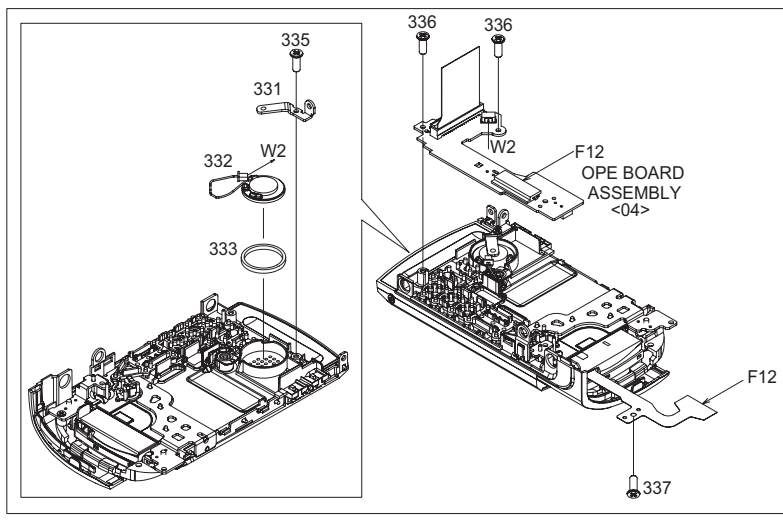
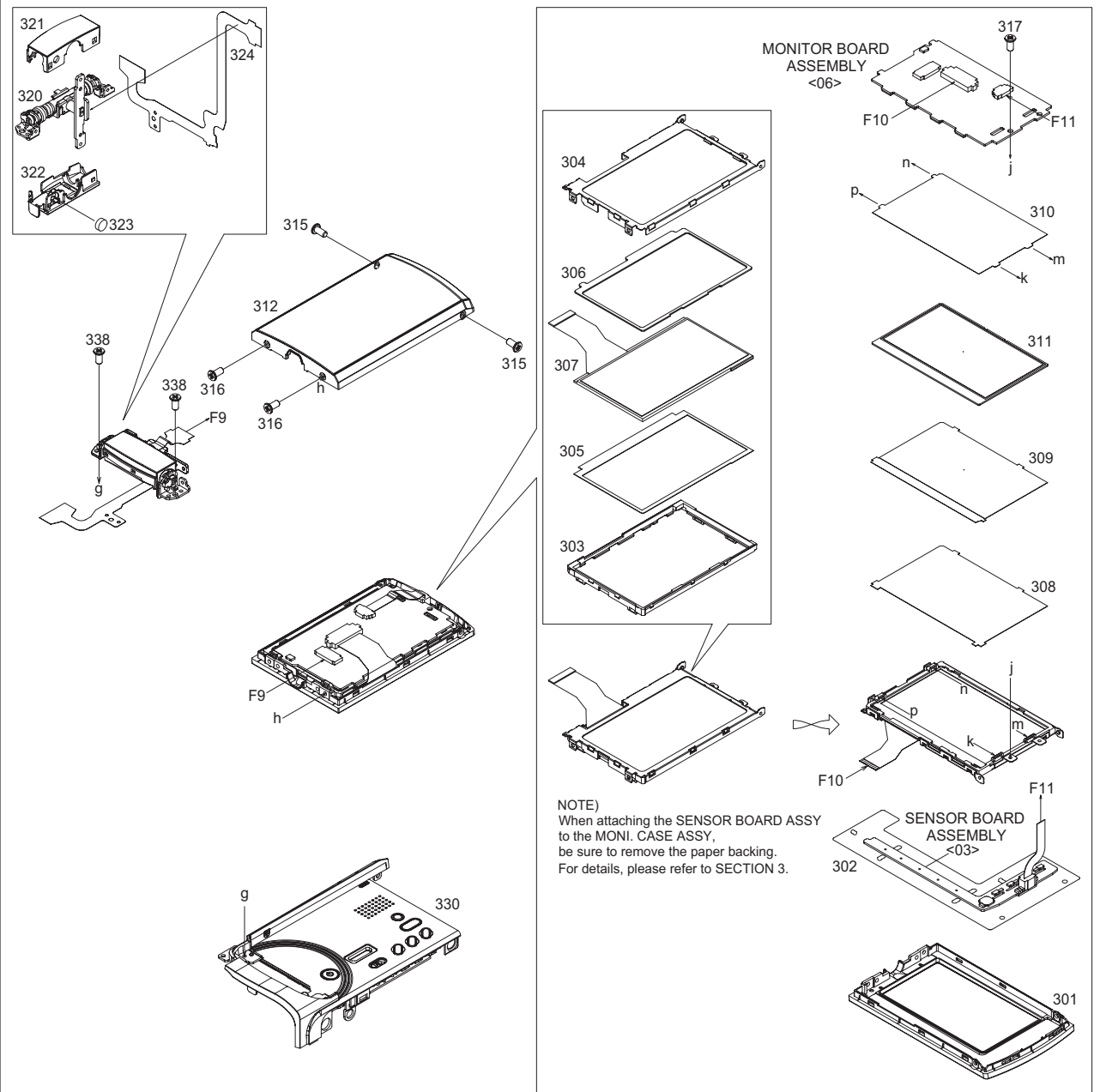


MODEL	MARK
GZ-MG630AEK	A
GZ-MG630AER	B
GZ-MG630AEU	C
GZ-MG630AEZ	D
GZ-MG630REK	E
GZ-MG630RER	F
GZ-MG630REU	G
GZ-MG630REZ	H
GZ-MG630SEK	J
GZ-MG630SER	K
GZ-MG630SEU	M
GZ-MG630SEZ	N

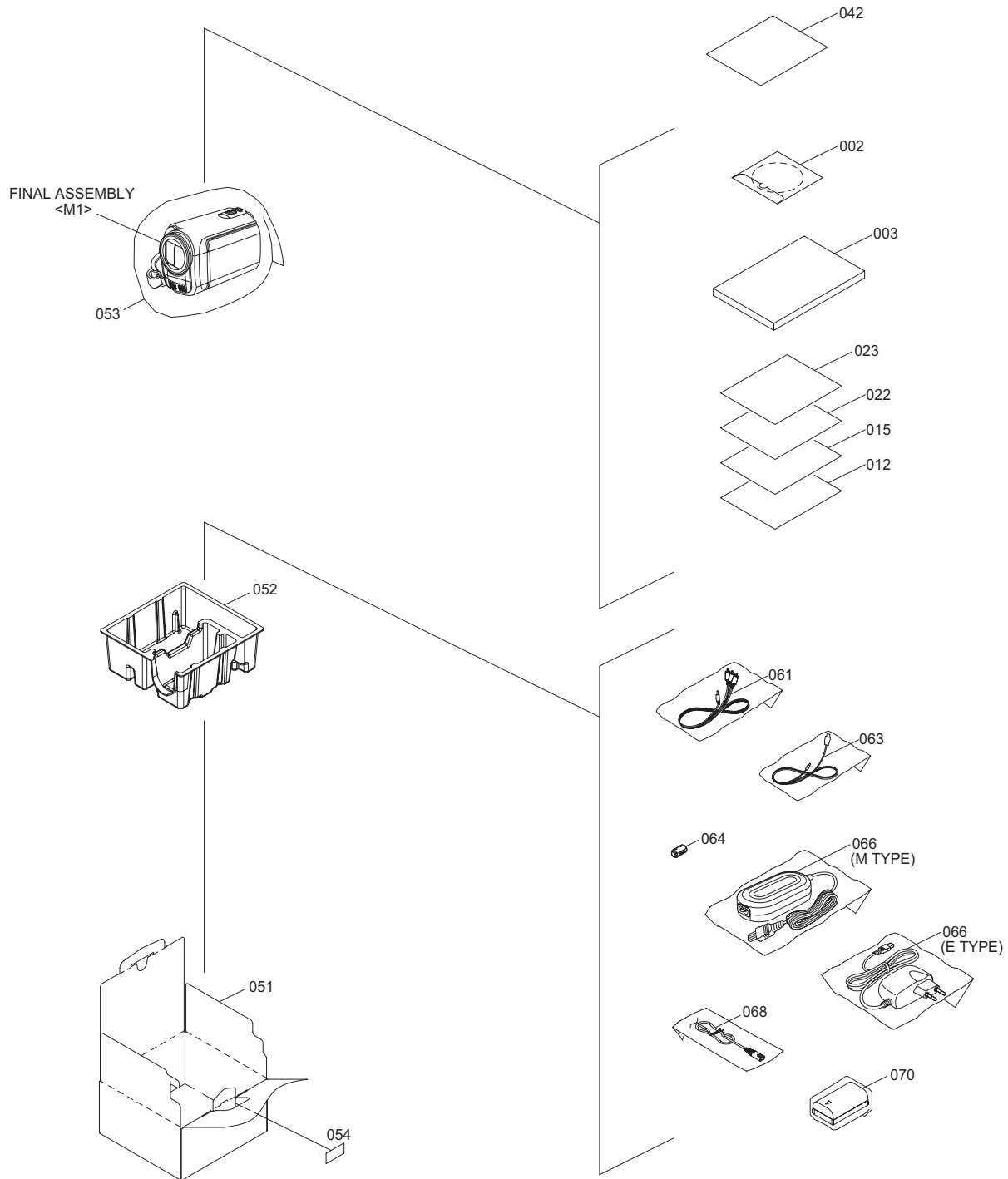




UPPER ASSEMBLY



1.2 PACKING AND ACCESSORY ASSEMBLY <M5>



MODEL	MARK	MODEL	MARK	MODEL	MARK	MODEL	MARK
GZ-MG630AEK	A	GZ-MG630AEZ	D	GZ-MG630REU	G	GZ-MG630SER	K
GZ-MG630AER	B	GZ-MG630REK	E	GZ-MG630REZ	H	GZ-MG630SEU	M
GZ-MG630AEU	C	GZ-MG630RER	F	GZ-MG630SEK	J	GZ-MG630SEZ	N

2. PARTS LIST

FINAL ASSEMBLY <M1>

△ Symbol No.	Part No.	Part Name	Description	Local
101	LY36622-001D	FRAME ASSY		
103	LY37015-001B	HDD CASE ASSY	A,B,C,D	
103	LY37015-001C	HDD CASE ASSY	EFGHJKMN	
105	LY36624-001B	RUBBER SPACER	(x2) A,B,C,D	
105	LY37032-001A	RUBBER SPACER	(x2) EFGHJKMN	
106	QAL0906-003	FPC	HDD-MAIN	
107	LY21936-011E	TOP COVER	A,B,C,D	
107	LY21936-012E	TOP COVER	E,F,G,H	
107	LY21936-010F	TOP COVER	J,K,M,N	
109	LY36996-003D	HDD COVER ASSY	A,B,C,D	
109	LY36996-004E	HDD COVER ASSY	E,F,G,H	
109	LY36996-002E	HDD COVER ASSY	J,K,M,N	
110	LY21938-001C	REAR COVER ASSY	AB,CD,EF,GH	
110	LY21938-002B	REAR COVER ASSY	J,K,M,N	
111	LY21940-003C	ZOOM UNIT	A,B,C,D	
111	LY21940-004C	ZOOM UNIT	E,F,G,H	
111	LY21940-002C	ZOOM UNIT	J,K,M,N	
112	LY21941-001B	GRIP BELT ASSY	A,B,C,D	
112	LY21941-001C	GRIP BELT ASSY	E,F,G,H	
112	LY21941-002C	GRIP BELT ASSY	J,K,M,N	
113	LY36629-001A	HOLDER(G.B)	A,B,C,D	
113	LY36629-001B	HOLDER(G.B)	EFGHJKMN	
114	LY36630-001A	SHAFT(G.B)		
115	LY36646-003C	COVER(HINGE)ASSY	A,B,C,D	
115	LY36646-004C	COVER(HINGE)ASSY	E,F,G,H	
115	LY36646-002C	COVER(HINGE)ASSY	J,K,M,N	
120	LY30032-021A	SPECIAL SCREW	OP-FRM(x3)	
121	LY30031-0D5A	SPECIAL SCREW	MAINP-FRM(x2)	
122	LY30031-0D5A	SPECIAL SCREW	REAR-FRAME	
123	LY30031-0D5A	SPECIAL SCREW	(x2)	
124	LY30031-0D4A	SPECIAL SCREW	BOTTOM-FRM	
125	LY30031-0D5A	SPECIAL SCREW	LOWER-REAR(x3)	
126	LY30031-0D5A	SPECIAL SCREW	(x2)	
127	LY30031-0L8B	SPECIAL SCREW	(x2)	
129	LY30031-0D5A	SPECIAL SCREW		
130	LY30031-0D5A	SPECIAL SCREW	(x2)	
131	LY30031-0L8B	SPECIAL SCREW		
132	LY30031-0L8B	SPECIAL SCREW		
133	LY30031-0L8B	SPECIAL SCREW		
134	LY30031-0D5A	SPECIAL SCREW		
135	LY30031-0L8B	SPECIAL SCREW		
136	LY30031-0L8B	SPECIAL SCREW		
137	LY30031-0D4A	SPECIAL SCREW	(x2)	
150	QAL1139-003	HDD	60GB	
151	LY36623-001A	BKT HDD ASSY	A,B,C,D	
201	LY36631-001A	JACK COVER(USB)	AB,CD,EF,GH	
201	LY36631-002A	JACK COVER(USB)	J,K,M,N	
202	LY36632-001B	JACK COVER(DC)	AB,CD,EF,GH	
202	LY36632-002B	JACK COVER(DC)	J,K,M,N	
203	LY36633-001C	JACK COVER(AV)	AB,CD,EF,GH	
203	LY36633-002C	JACK COVER(AV)	J,K,M,N	
205	LY30031-0D5A	SPECIAL SCREW	(x3)	
211	LY21972-001E	B.COVER(N)ASSY	AB,CD,EF,GH	
211	LY21972-002E	B.COVER(N)ASSY	J,K,M,N	
301	LY36637-001D	MONI.CASE ASSY		
302	LY36638-001B	D FACE TAPE		
303	LY21965-001A	LCD CASE		
304	LY21945-001A	LCD BKT	A,B,C,D	
304	LY21945-001B	LCD BKT	EFGHJKMN	
305	LY36124-001A	SHEET (COVER)	A,B,C,D	
305	LY36124-002A	SHEET (COVER)	EFGHJKMN	
306	LY36702-001A	SPACER (LCD)		
307	QLD0538-001	LCD MODULE		
308	LY36703-001A	SHEET (BEF)		
309	LY35480-001A	SHEET(M/DIFF)		
310	LY35481-001A	SHEET(M.REF)		
311	LY36668-001A	LIGHT GUIDE		
312	LY36639-003E	MONI.COVER ASSY	A,B,C,D	
312	LY36639-004E	MONI.COVER ASSY	E,F,G,H	
312	LY36639-002E	MONI.COVER ASSY	J,K,M,N	
315	LY30031-079A	SPECIAL SCREW	(x2)	
316	LY30031-079A	SPECIAL SCREW	(x2)	
317	LY30031-0D4A	SPECIAL SCREW		
320	LY36640-001C	HINGE UNIT		

△ Symbol No. Part No. Part Name Description Local

321	LY21951-003D	HINGE COVER(U)		A,B,C,D
321	LY21951-004D	HINGE COVER(U)		E,F,G,H
321	LY21951-002D	HINGE COVER(U)		J,K,M,N
322	LY21952-001C	HINGE COVER(L)		
323	LY45427-001A	P.C.MAGNET		
324	QAL1149-001	FPC	OPE-MON	
330	LY21953-003F	U.CASE ASSY		A,B,C,D
330	LY21953-004H	U.CASE ASSY		E,F,G,H
330	LY21953-002H	U.CASE ASSY		J,K,M,N
331	LY36645-001B	BKT(SPEAKER)		
332	QAS0543-001	SPEAKER		
333	LY45709-001B	SPACER(SPK)		
335	LY30031-0L8B	SPECIAL SCREW		
336	LY30031-0L8B	SPECIAL SCREW	(x2)	
337	LY30031-0K7A	SPECIAL SCREW		
338	LY30031-0K7A	SPECIAL SCREW	(x2)	
501	LY36649-003B	F.COVER ASSY		A,B,C,D
501	LY36649-003C	F.COVER ASSY		EFGHJKMN
502	LY21958-001L	BARRIER UNIT		A,B,C,D
502	LY21958-001M	BARRIER UNIT		EFGHJKMN
503	LY36659-001A	HOOD(SCREW)		A,B,C,D
503	LY36659-001B	HOOD(SCREW)		EFGHJKMN
504	LY36660-001A	PLATE(MIC)		
505	LY36139-001A	MIC		
510	LY30031-0L8B	SPECIAL SCREW		
511	LY30031-0D4A	SPECIAL SCREW		
512	LY30031-0L8B	SPECIAL SCREW	(x2)	
601	LY36126-001C	OP BLOCK ASSY		
601A	PTY36126-101	MOTOR UNIT		FOCUS
601B	PTY36126-101	MOTOR UNIT		ZOOM
601C	PTY36126-106	AUTO IRIS UNIT		
601D	PTY36126-530	SCREW	(x8)	
602	LY45275-001A	OPTICAL LFP		
603	LY45175-001A	SHEET		
606	LY30031-0J7A	SPECIAL SCREW	(x2)	
610	LY45541-002A	CCD BASE ASSY		

PACKING AND ACCESSORY ASSEMBLY <M5>

△ Symbol No. Part No. Part Name Description Local

002	LY35273-048A-S	CD ROM ASSY		
△ 003	LYT1987-001A-M	INST BOOK	(ENGLISH)	A,E,J
△ 003	LYT1988-001A-M	INST BOOK	(RUSSIAN/UKRAINIAN)	B,F,K
△ 003	LYT1987-002A-M	INST BOOK	(GERMAN/DUTCH)	C,G,M
△ 003	LYT1987-003A-M	INST BOOK	(FRENCH/ITALIAN)	C,G,M
△ 003	LYT1987-004A-M	INST BOOK	(SPANISH/PORTUGUESE)	C,G,M
△ 003	LYT1987-005A-M	INST BOOK	(DANISH/FINN)	D,H,N
△ 003	LYT1987-006A-M	INST BOOK	(SWEDISH/NORWEGIAN)	D,H,N
△ 003	LYT1987-007A-M	INST BOOK	(CZECH/HUNGARIAN)	D,H,N
△ 003	LYT1987-008A-M	INST BOOK	(POLISH)	D,H,N
012	YU30878	REGISTRATION CARD		A,E,J
015	LYT0194-001B	Q.CARD		A,E,J
022	LY36909-002A	SHEET(ACC GUID)		
023	LY35208-001A	SHEET(E-SHOP)		A,E,J
042	-----	WARRANTY CARD	BT-54038-2CAM	
051	LY36661-026A	PACKING CASE		
052	LY21961-001C	CUSHION		
053	LY30023-054A	POLY BAG		
054	-----	LABEL		
061	QAM0510-001	AV CABLE		
063	QAM0719-001	USB CABLE		
064	QQR0491-002	FERRITE CORE		
△ 066	QAL1153-001	AC P ADAPTOR	AP-V20M	A,E,J
△ 066	QAL1152-001	AC P ADAPTOR	AP-V20E	B,C,D,EFGHJKMN
△ 068	QMPP210-190-JR	POWER CORD(EK)	1.9m BLACK	A,E,J
△ 070	LY35320-002D	BATTERY PACK	BN-VF808U	

MODEL	MARK	MODEL	MARK	MODEL	MARK	MODEL	MARK
GZ-MG630AEK	A	GZ-MG630AEZ	D	GZ-MG630REU	G	GZ-MG630SER	K
GZ-MG630AER	B	GZ-MG630REK	E	GZ-MG630REZ	H	GZ-MG630SEU	M
GZ-MG630AEU	C	GZ-MG630RER	F	GZ-MG630SEK	J	GZ-MG630SEZ	N

MAIN BOARD ASSEMBLY <01>

△ Symbol No. Part No. Part Name Description Local

△ Symbol No. Part No. Part Name Description Local

PW1	LYA10151-06E	MAIN BOARD ASSY		A,B,C,D
PW1	LYA10151-06G	MAIN BOARD ASSY		EFGHJKMN
IC82	NAL0068-001X	SHOCK SENSOR		
IC1001	MN103SD0QGA	IC(MICRO C ROM)		
IC1001	or MN103SFD0RGA	IC(MICRO C ROM)		
IC1004	NJU7108F3-X	IC		
IC1005	LE25LB643TT-X	IC		
IC1006	S-35190A-G-X	IC		
IC1007	IC-PST8223U-W	IC		
IC1007	or S-80823CNNB-G-W	IC		
IC1009	R5G05001N302N-X	IC(MICRO C ROM)		
IC1009	or YCBCJVSNS8031-X	IC(MICRO C ROM)		
IC2201	AK4669EN-W	IC		
IC3001	JCY0243	IC		
IC3002	EDD51321CBH-7ET	IC		
IC3003	SG64N90BF103014	IC(MICRO C ROM)		A,B,C,D
IC3003	SG64N90BF103015	IC(MICRO C ROM)		EFGHJKMN
IC3005	S-1112B33MC-W	IC		
IC3010	TPS2051BDBV-X	IC		
IC3702	BH76806FVM-W	IC		
IC4201	R2J45026BG-X	IC		
IC4701	LV8075LP-W	IC		
IC4901	AN41904A-X	IC		
IC4904	GP1UF311Y-X	IR DETECT UNIT		
IC4905	NJM2143R-X	IC		
IC6001	FA7736AF	IC		
IC6004	S-1112B28MC-W	IC		
Q421	UMZ1N-W	PAIR TRANSISTOR		
Q421	or XP4601-W	TRANSISTOR		
Q422	DTC143XE-X	DIGI TRANSISTOR		
Q422	or RT1N432U-X	DIGI TRANSISTOR		
Q422	or UN921FJ-X	DIGI TRANSISTOR		
Q422	or SRC1219EF-X	DIGI TRANSISTOR		
Q422	or KRC419E-X	DIGI TRANSISTOR		EFGHJKMN
Q651	2SC4617/QR/-X	TRANSISTOR		
Q651	or 2SC5383/E/-X	TRANSISTOR		EFGHJKMN
Q651	or 2SD2216J/QR/-X	TRANSISTOR		EFGHJKMN
Q1002	DTC143XE-X	DIGI TRANSISTOR		
Q1002	or UN921FJ-X	DIGI TRANSISTOR		
Q1002	or RT1N432U-X	DIGI TRANSISTOR		
Q1002	or SRC1219EF-X	DIGI TRANSISTOR		
Q1002	or KRC419E-X	DIGI TRANSISTOR		
Q1003	DTC143XE-X	DIGI TRANSISTOR		
Q1003	or UN921FJ-X	DIGI TRANSISTOR		
Q1003	or RT1N432U-X	DIGI TRANSISTOR		
Q1003	or SRC1219EF-X	DIGI TRANSISTOR		
Q1003	or KRC419E-X	DIGI TRANSISTOR		
Q2401	2SC4617/RS/-X	TRANSISTOR		
Q2401	or 2SC5383/F/-X	TRANSISTOR		EFGHJKMN
Q2402	2SC4617/RS/-X	TRANSISTOR		
Q2402	or 2SC5383/F/-X	TRANSISTOR		EFGHJKMN
Q2701	UMX18N-W	PAIR TRANSISTOR		
Q2702	DTA143ZE-X	DIGI TRANSISTOR		
Q3003	SSM3K16FV-X	MOS FET		
Q3004	DTA144EE-X	DIGI TRANSISTOR		
Q3004	or UN9113J-X	DIGI TRANSISTOR		
Q3004	or PDA144EE-X	DIGI TRANSISTOR		
Q3004	or KRA304E-X	DIGI TRANSISTOR		
Q3007	XP4312-W	DIGI TRANSISTOR		
Q6001	SP8J5-X	MOS FET		
Q6001	or AP4957GM-X	MOS FET		
Q6001	or AP4957AGM-X	MOS FET		
Q6201	RSR025P03-X	MOS FET		
Q6202	RSR025N03-X	MOS FET		
Q6501	2SD2703-X	TRANSISTOR		
Q6502	UMT1N-W	PAIR TRANSISTOR		
Q6502	or PUMT1-W	PAIR TRANSISTOR		
Q6502	or KTA701U/G/-X	PAIR TRANSISTOR		
Q6502	or XP4401-W	TRANSISTOR		
Q6502	or BC856S-X	PAIR TRANSISTOR		EFGHJKMN
Q6506	2SA1577/QR/-X	TRANSISTOR		
Q6507	UMX1N-W	PAIR TRANSISTOR		
Q6507	or PUMX1-W	PAIR TRANSISTOR		
Q6507	or XP4501-W	TRANSISTOR		

Q6507	or KTC801U/G/-X	PAIR TRANSISTOR		
Q6507	or RT3CLLM/EF/-X	TRANSISTOR		
Q6701	RSR025P03-X	MOS FET		
Q6702	RSR025P03-X	MOS FET		
Q6703	RSR025P03-X	MOS FET		
Q7802	UMX1N-W	PAIR TRANSISTOR		
Q7802	or KTC801U/G/-X	PAIR TRANSISTOR		
Q7802	or RT3CLLM/EF/-X	TRANSISTOR		
Q7802	or XP4501-W	TRANSISTOR		
Q7802	or PUMX1-W	PAIR TRANSISTOR		
Q7803	UMX1N-W	PAIR TRANSISTOR		
Q7803	or KTC801U/G/-X	PAIR TRANSISTOR		
Q7803	or RT3CLLM/EF/-X	TRANSISTOR		
Q7803	or XP4501-W	TRANSISTOR		
Q7803	or PUMX1-W	PAIR TRANSISTOR		
Q7804	UMX1N-W	PAIR TRANSISTOR		
Q7804	or KTC801U/G/-X	PAIR TRANSISTOR		
Q7804	or RT3CLLM/EF/-X	TRANSISTOR		
Q7804	or XP4501-W	TRANSISTOR		
Q7804	or PUMX1-W	PAIR TRANSISTOR		
D181	EMZ6.8N-X	Z DIODE		
△D191	MA111-X	SI DIODE		
D421	NSPW300DS/COVW/	LED		
D4201	1SS355-X	SI DIODE		
D4201	or MA111-X	SI DIODE		
D4201	or 1SS352-X	SI DIODE		
D4201	or SDS511-X	SI DIODE		
D4201	or 1SS355W-X	DIODE		
D6101	MA2Z720-X	SB DIODE		
D6201	MA2Z720-X	SB DIODE		
D6301	MA22D23-X	SB DIODE		
D6401	MA2Z720-X	SB DIODE		
D6501	RB481K-X	SB DIODE		
D6502	RB481K-X	SB DIODE		
D6701	MA22D23-X	SB DIODE		
D6702	MA22D23-X	SB DIODE		
D6901	MA2Z720-X	SB DIODE		
C82	NCBA1AK-104W	C CAPACITOR	0.1uF 10V K	
C111	NCB11AK-106X	C CAPACITOR	10uF 10V K	
C141	NCB20JM-475X	C CAPACITOR	4.7uF 6.3V M	
C142	NCBA1AK-104W	C CAPACITOR	0.1uF 10V K	
C601	NCB31EK-104X	C CAPACITOR	0.1uF 25V K	
C1013	NCB30JK-105X	C CAPACITOR	1uF 6.3V K	
C1015	NCBA1AK-104W	C CAPACITOR	0.1uF 10V K	
C1016	NCB30JK-105X	C CAPACITOR	1uF 6.3V K	
C1030	NCBA1AK-104W	C CAPACITOR	0.1uF 10V K	
C1031	NCBA1CK-103W	C CAPACITOR	0.01uF 16V K	
C1032	NCBA1AK-104W	C CAPACITOR	0.1uF 10V K	
C1033	NCBA1AK-104W	C CAPACITOR	0.1uF 10V K	
C1035	NCBA1AK-104W	C CAPACITOR	0.1uF 10V K	
C1036	NCBA1AK-104W	C CAPACITOR	0.1uF 10V K	
C1037	NCBA1AK-104W	C CAPACITOR	0.1uF 10V K	
C1038	NCBA1AK-104W	C CAPACITOR	0.1uF 10V K	
C1039	NCBA1AK-104W	C CAPACITOR	0.1uF 10V K	
C1040	NCBA1AK-104W	C CAPACITOR	0.1uF 10V K	
C1046	NCBA1AK-104W	C CAPACITOR	0.1uF 10V K	
C2201	NCB31CK-105X	C CAPACITOR	1uF 16V K	
C2203	NCB31CK-105X	C CAPACITOR	1uF 16V K	
C2205	NCB31CK-105X	C CAPACITOR	1uF 16V K	
C2206	NCBA1CK-104W	C CAPACITOR	0.1uF 16V K	
C2207	NCBA1CK-104W	C CAPACITOR	0.1uF 16V K	
C2208	NCB31CK-105X	C CAPACITOR	1uF 16V K	
C2209	NCBA1CK-223W	C CAPACITOR	0.022uF 16V K	
C2211	NCB31CK-224X	C CAPACITOR	0.22uF 16V K	
C2401	NCJ20JK-106X-D	C CAPACITOR	10uF 6.3V K	
C2402	NCJ20JK-106X-D	C CAPACITOR	10uF 6.3V K	
C2403	NCJ20JK-106X-D	C CAPACITOR	10uF 6.3V K	
C2404	NCJ20JK-106X-D	C CAPACITOR	10uF 6.3V K	
C2405	NCJ20JK-106X-D	C CAPACITOR	10uF 6.3V K	
C2407	NCBA1CK-104W	C CAPACITOR	0.1uF 16V K	
C2603	NCBA1CK-103W	C CAPACITOR	0.01uF 16V K	
C2604	NCBA1CK-103W	C CAPACITOR	0.01uF 16V K	
C2605	NCBA1CK-223W	C CAPACITOR	0.022uF 16V K	
C2606	NCBA1CK-223W	C CAPACITOR	0.022uF 16V K	
C2607	NCB30JK-105X	C CAPACITOR	1uF 6.3V K	
C2608	NCB30JK-105X	C CAPACITOR	1uF 6.3V K	

MODEL	MARK	MODEL	MARK	MODEL	MARK	MODEL	MARK
GZ-MG630AEK	A	GZ-MG630AEZ	D	GZ-MG630REU	G	GZ-MG630SER	K
GZ-MG630AER	B	GZ-MG630REK	E	GZ-MG630REZ	H	GZ-MG630SEU	M
GZ-MG630AEU	C	GZ-MG630RER	F	GZ-MG630SEK	J	GZ-MG630SEZ	N

△ Symbol No.	Part No.	Part Name	Description	Local	△ Symbol No.	Part No.	Part Name	Description	Local
C2609	NCB31CK-105X	C CAPACITOR	1uF 16V K		C4914	NCBA1HK-102W	C CAPACITOR	1000pF 50V K	
C2651	NCBA1CK-103W	C CAPACITOR	0.01uF 16V K		C4915	NCBA1HK-102W	C CAPACITOR	1000pF 50V K	
C2652	NCBA1CK-103W	C CAPACITOR	0.01uF 16V K		C4916	NCBA1AK-104W	C CAPACITOR	0.1uF 10V K	
C3002	NCB20JK-475X	C CAPACITOR	4.7uF 6.3V K		C4921	NCBA1CK-223W	C CAPACITOR	0.022uF 16V K	
C3003	NQR0415-001X	EMI FILTER	1uF 10V M		C4922	NCBA1AK-104W	C CAPACITOR	0.1uF 10V K	
C3005	NCB30JK-105X	C CAPACITOR	1uF 6.3V K		C4932	NCB20JK-106X	C CAPACITOR	10uF 6.3V K	
C3006	NCB20JK-475X	C CAPACITOR	4.7uF 6.3V K		C4941	NCBA1AK-104W	C CAPACITOR	0.1uF 10V K	
C3007	NCB30JK-105X	C CAPACITOR	1uF 6.3V K		C4942	NCBA1AK-104W	C CAPACITOR	0.1uF 10V K	
C3008	NCBA1AK-104W	C CAPACITOR	0.1uF 10V K		C4943	NCBA1AK-104W	C CAPACITOR	0.1uF 10V K	
C3009	NCBA1CK-103W	C CAPACITOR	0.01uF 16V K		C4961	NCB30JK-105X	C CAPACITOR	1uF 6.3V K	
C3010	NCBA1AK-104W	C CAPACITOR	0.1uF 10V K		C4962	NCBA1AK-104W	C CAPACITOR	0.1uF 10V K	
C3011	NCBA1CK-103W	C CAPACITOR	0.01uF 16V K		C6002	NCB21CK-105X	C CAPACITOR	1uF 16V K	
C3012	NCBA1CK-103W	C CAPACITOR	0.01uF 16V K		C6003	NCB21CK-105X	C CAPACITOR	1uF 16V K	
C3014	NCBA1AK-104W	C CAPACITOR	0.1uF 10V K		C6004	NCB31CK-105X	C CAPACITOR	1uF 16V K	
C3016	NCBA1CK-103W	C CAPACITOR	0.01uF 16V K		C6005	NCB31CK-105X	C CAPACITOR	1uF 16V K	
C3019	NCBA1CK-103W	C CAPACITOR	0.01uF 16V K		C6006	NCB31EK-104X	C CAPACITOR	0.1uF 25V K	
C3020	NCB20JK-475X	C CAPACITOR	4.7uF 6.3V K		C6008	NCB31EK-473X	C CAPACITOR	0.047uF 25V K	
C3021	NCBA1AK-104W	C CAPACITOR	0.1uF 10V K		C6101	NCBA1HK-221W	C CAPACITOR	220pF 50V K	
C3023	NCBA1CK-103W	C CAPACITOR	0.01uF 16V K		C6102	NCBA1HK-152W	C CAPACITOR	1500pF 50V K	
C3024	NCBA1CK-103W	C CAPACITOR	0.01uF 16V K		C6103	NCB31CK-105X	C CAPACITOR	1uF 16V K	
C3025	NCB20JK-475X	C CAPACITOR	4.7uF 6.3V K		C6104	NCB20JK-106X	C CAPACITOR	10uF 6.3V K	
C3027	NCB20JK-475X	C CAPACITOR	4.7uF 6.3V K		C6201	NCBA1HK-221W	C CAPACITOR	220pF 50V K	
C3029	NCBA1AK-104W	C CAPACITOR	0.1uF 10V K		C6202	NCBA1HK-152W	C CAPACITOR	1500pF 50V K	
C3033	NCBA1AK-104W	C CAPACITOR	0.1uF 10V K		C6203	NCB31CK-105X	C CAPACITOR	1uF 16V K	
C3034	NBE41AM-476X	TA E CAPACITOR	47uF 10V M		C6204	NCB20JK-106X	C CAPACITOR	10uF 6.3V K	
C3036	NCBA1AK-104W	C CAPACITOR	0.1uF 10V K		C6301	NCBA1HK-221W	C CAPACITOR	220pF 50V K	
C3038	NCBA1AK-104W	C CAPACITOR	0.1uF 10V K		C6302	NCBA1HK-152W	C CAPACITOR	1500pF 50V K	
C3040	NDCA1HJ-101W	C CAPACITOR	100pF 50V J		C6303	NCB31CK-105X	C CAPACITOR	1uF 16V K	
C3041	NCBA1AK-104W	C CAPACITOR	0.1uF 10V K		C6304	NCB20JK-106X	C CAPACITOR	10uF 6.3V K	
C3043	NCBA1AK-104W	C CAPACITOR	0.1uF 10V K		C6401	NCBA1HK-221W	C CAPACITOR	220pF 50V K	
C3044	NCB20JK-475X	C CAPACITOR	4.7uF 6.3V K		C6402	NCBA1HK-102W	C CAPACITOR	1000pF 50V K	
C3046	NCBA1AK-104W	C CAPACITOR	0.1uF 10V K		C6403	NCB31CK-105X	C CAPACITOR	1uF 16V K	
C3047	NCB20JK-475X	C CAPACITOR	4.7uF 6.3V K		C6404	NCB20JK-106X	C CAPACITOR	10uF 6.3V K	
C3048	NCBA1AK-104W	C CAPACITOR	0.1uF 10V K		C6501	NCBA1AK-473W	C CAPACITOR	0.047uF 10V K	
C3051	NRSA6AJ-0R0W	MG RESISTOR	0Ω 1/16W J		C6502	NCBA1AK-333W	C CAPACITOR	0.033uF 10V K	
C3052	NRSA6AJ-0R0W	MG RESISTOR	0Ω 1/16W J		C6503	NCB31CK-105X	C CAPACITOR	1uF 16V K	
C3053	NRSA6AJ-0R0W	MG RESISTOR	0Ω 1/16W J		C6504	NCB31CK-105X	C CAPACITOR	1uF 16V K	
C3057	NCBA1CK-103W	C CAPACITOR	0.01uF 16V K		C6505	NCB31CK-105X	C CAPACITOR	1uF 16V K	
C3058	NCJA0JK-105W-U	C CAPACITOR	1uF 6.3V K		C6506	NCB21CK-105X	C CAPACITOR	1uF 16V K	
C3059	NCBA1AK-104W	C CAPACITOR	0.1uF 10V K		C6507	NCB21CK-105X	C CAPACITOR	1uF 16V K	
C3060	NCBA1AK-104W	C CAPACITOR	0.1uF 10V K		C6509	NCB31CK-105X	C CAPACITOR	1uF 16V K	
C3061	NCJA0JK-105W-U	C CAPACITOR	1uF 6.3V K		C6510	NCB21CK-105X	C CAPACITOR	1uF 16V K	
C3064	NDCA1HJ-101W	C CAPACITOR	100pF 50V J		C6514	NCB31CK-105X	C CAPACITOR	1uF 16V K	
C3067	NCBA1AK-104W	C CAPACITOR	0.1uF 10V K		C6701	NCBA1EK-472W	C CAPACITOR	4700pF 25V K	
C3068	NCB30JK-105X	C CAPACITOR	1uF 6.3V K		C6702	NCBA1CK-103W	C CAPACITOR	0.01uF 16V K	
C3071	NCB20JK-475X	C CAPACITOR	4.7uF 6.3V K		C6704	NCB31CK-105X	C CAPACITOR	1uF 16V K	
C3074	NCBA1AK-104W	C CAPACITOR	0.1uF 10V K		C6705	NCB11AK-106X	C CAPACITOR	10uF 10V K	
C3708	NCB30JK-105X	C CAPACITOR	1uF 6.3V K		C6706	NCBA1HK-102W	C CAPACITOR	1000pF 50V K	
C3710	NCB20JM-475X	C CAPACITOR	4.7uF 6.3V M		C6707	NDCA1HJ-151W	C CAPACITOR	150pF 50V J	
C3718	NCB30JK-105X	C CAPACITOR	1uF 6.3V K		C6708	NCB10JK-106X	C CAPACITOR	10uF 6.3V K	
C3719	NCB30JK-105X	C CAPACITOR	1uF 6.3V K		C6901	NCBA1HK-102W	C CAPACITOR	1000pF 50V K	
C4201	NCJ21CK-475X-D	C CAPACITOR	4.7uF 16V K		C6902	NCBA1HK-392W	C CAPACITOR	3900pF 50V K	
C4202	NCJ21CK-475X-D	C CAPACITOR	4.7uF 16V K		C6903	NCB21CK-105X	C CAPACITOR	1uF 16V K	
C4203	NCJ20JM-226X-R	C CAPACITOR	22uF 6.3V M		C6904	NCB20JK-106X	C CAPACITOR	10uF 6.3V K	
C4204	NCB20JK-106X	C CAPACITOR	10uF 6.3V K		C6905	NCB21CK-105X	C CAPACITOR	1uF 16V K	
C4206	NCB21EK-105X	C CAPACITOR	1uF 25V K		C6906	NCB21CK-105X	C CAPACITOR	1uF 16V K	
C4207	NDCA1HJ-5R0W	C CAPACITOR	5pF 50V J		C7801	NCB11CK-225X	C CAPACITOR	2.2uF 16V K	
C4208	NDCA1HJ-5R0W	C CAPACITOR	5pF 50V J		C7803	NCB31CK-105X	C CAPACITOR	1uF 16V K	
C4209	NCB31CK-104X	C CAPACITOR	0.1uF 16V K						
C4210	NCBA1HK-102W	C CAPACITOR	1000pF 50V K		R82	NRSA6AJ-103W	MG RESISTOR	10kΩ 1/16W J	
C4211	NCBA1CK-103W	C CAPACITOR	0.01uF 16V K		R142	NRSA6AJ-473W	MG RESISTOR	47kΩ 1/16W J	
C4215	NCBA1AK-104W	C CAPACITOR	0.1uF 10V K		R143	NRSA6AJ-473W	MG RESISTOR	47kΩ 1/16W J	
C4217	NCBA1AK-104W	C CAPACITOR	0.1uF 10V K		R144	NRSA6AJ-473W	MG RESISTOR	47kΩ 1/16W J	
C4218	NCBA1AK-104W	C CAPACITOR	0.1uF 10V K		R145	NRSA6AJ-473W	MG RESISTOR	47kΩ 1/16W J	
C4220	NCBA1AK-104W	C CAPACITOR	0.1uF 10V K		R146	NRSA6AJ-473W	MG RESISTOR	47kΩ 1/16W J	
C4221	NCBA1AK-104W	C CAPACITOR	0.1uF 10V K		R147	NRSA6AJ-103W	MG RESISTOR	10kΩ 1/16W J	
C4222	NCBA1AK-104W	C CAPACITOR	0.1uF 10V K		R148	NRSA6AJ-220W	MG RESISTOR	22Ω 1/16W J	
C4225	NCBA1AK-104W	C CAPACITOR	0.1uF 10V K		R149	NRSA6AJ-220W	MG RESISTOR	22Ω 1/16W J	
C4701	NCB20JK-106X	C CAPACITOR	10uF 6.3V K		R150	NRSA6AJ-220W	MG RESISTOR	22Ω 1/16W J	
C4902	NCB20JK-106X	C CAPACITOR	10uF 6.3V K		R151	NRSA6AJ-220W	MG RESISTOR	22Ω 1/16W J	
C4903	NCB20JK-106X	C CAPACITOR	10uF 6.3V K		R181	NRSA6AJ-682W	MG RESISTOR	6.8kΩ 1/16W J	
C4905	NCBA1AK-104W	C CAPACITOR	0.1uF 10V K		△ R191	NRSA6AJ-102W	MG RESISTOR	1kΩ 1/16W J	
C4907	NCBA1HK-102W	C CAPACITOR	1000pF 50V K		R421	NRSA6AJ-123W	MG RESISTOR	12kΩ 1/16W J	
C4908	NCBA1AK-104W	C CAPACITOR	0.1uF 10V K		R422	NRSA6AJ-183W	MG RESISTOR	18kΩ 1/16W J	
C4909	NCBA1CK-103W	C CAPACITOR	0.01uF 16V K		R423	NRSA6AJ-392W	MG RESISTOR	3.9kΩ 1/16W J	
C4911	NDCA1HJ-101W	C CAPACITOR	100pF 50V J		R424	NRSA6AJ-220W	MG RESISTOR	22Ω 1/16W J	
C4912	NCBA1AK-104W	C CAPACITOR	0.1uF 10V K		R601	NRSA6AJ-0R0W	MG RESISTOR	0Ω 1/16W J	
C4913	NCBA1AK-104W	C CAPACITOR	0.1uF 10V K		R651	NRSA63J-201X	MG RESISTOR	200Ω 1/16W J	

MODEL	MARK	MODEL	MARK	MODEL	MARK	MODEL	MARK
GZ-MG630AEK	A	GZ-MG630AEZ	D	GZ-MG630REU	G	GZ-MG630SER	K
GZ-MG630AER	B	GZ-MG630REK	E	GZ-MG630REZ	H	GZ-MG630SEU	M
GZ-MG630AEU	C	GZ-MG630RER	F	GZ-MG630SEK	J	GZ-MG630SEZ	N

△ Symbol No.	Part No.	Part Name	Description	Local	△ Symbol No.	Part No.	Part Name	Description	Local
R652	NRSA63J-201X	MG RESISTOR	200Ω 1/16W J		R3111	NRSA6AD-681W	MG RESISTOR	680Ω 1/16W D	
R653	NRSA6AJ-222W	MG RESISTOR	2.2kΩ 1/16W J		R3112	NRSA6AD-152W	MG RESISTOR	1.5kΩ 1/16W D	
R654	NRSA6AJ-104W	MG RESISTOR	100kΩ 1/16W J		R3113	NRSA6AD-152W	MG RESISTOR	1.5kΩ 1/16W D	
R1001	NRSA6AJ-104W	MG RESISTOR	100kΩ 1/16W J		R3114	NRSA6AD-152W	MG RESISTOR	1.5kΩ 1/16W D	
R1002	NRSA6AJ-331W	MG RESISTOR	330Ω 1/16W J		R3119	NRSA6AJ-100W	MG RESISTOR	10Ω 1/16W J	
R1003	NRSA6AJ-561W	MG RESISTOR	560Ω 1/16W J		R3120	NRSA6AJ-100W	MG RESISTOR	10Ω 1/16W J	
R1005	NRSA6AJ-102W	MG RESISTOR	1kΩ 1/16W J		R3129	NRSA6AJ-0R0W	MG RESISTOR	0Ω 1/16W J	
R1008	NRSA6AJ-183W	MG RESISTOR	18kΩ 1/16W J		R3131	NRSA6AJ-0R0W	MG RESISTOR	0Ω 1/16W J	
R1009	NRSA6AJ-183W	MG RESISTOR	18kΩ 1/16W J		R3133	NRSA6AJ-0R0W	MG RESISTOR	0Ω 1/16W J	
R1013	NRSA6AJ-473W	MG RESISTOR	47kΩ 1/16W J		R3144	NRSA6AJ-151W	MG RESISTOR	150Ω 1/16W J	
R1017	NRSA6AJ-393W	MG RESISTOR	39kΩ 1/16W J		R3145	NRSA6AJ-151W	MG RESISTOR	150Ω 1/16W J	
R1021	NRSA6AJ-223W	MG RESISTOR	22kΩ 1/16W J		R3170	NRSA6AJ-102W	MG RESISTOR	1kΩ 1/16W J	
R1022	NRSA6AJ-223W	MG RESISTOR	22kΩ 1/16W J		R3171	NRSA6AJ-103W	MG RESISTOR	10kΩ 1/16W J	
R1025	NRSA6AJ-393W	MG RESISTOR	39kΩ 1/16W J		R3172	NRSA6AD-113W	MG RESISTOR	11kΩ 1/16W D	
R1031	NRSA6AJ-332W	MG RESISTOR	3.3kΩ 1/16W J		R3173	NRSA6AJ-562W	MG RESISTOR	5.6kΩ 1/16W J	
R1037	NRSA6AJ-473W	MG RESISTOR	47kΩ 1/16W J		R3177	NRSA6AJ-102W	MG RESISTOR	1kΩ 1/16W J	
R1038	NRSA6AJ-103W	MG RESISTOR	10kΩ 1/16W J		R3178	NRSA6AJ-102W	MG RESISTOR	1kΩ 1/16W J	
R1040	NRSA6AJ-273W	MG RESISTOR	27kΩ 1/16W J		R3179	NRSA6AJ-103W	MG RESISTOR	10kΩ 1/16W J	
R1052	NRSA6AJ-103W	MG RESISTOR	10kΩ 1/16W J		R3180	NRSA6AJ-103W	MG RESISTOR	10kΩ 1/16W J	
R1053	NRSA6AJ-104W	MG RESISTOR	100kΩ 1/16W J		R3181	NRSA6AJ-102W	MG RESISTOR	1kΩ 1/16W J	
R1055	NRSA6AJ-104W	MG RESISTOR	100kΩ 1/16W J		R3183	NRSA6AJ-104W	MG RESISTOR	100kΩ 1/16W J	
R1058	NRSA6AJ-102W	MG RESISTOR	1kΩ 1/16W J		R3202	NRSA6AJ-472W	MG RESISTOR	4.7kΩ 1/16W J	
R1061	NRSA6AJ-821W	MG RESISTOR	820Ω 1/16W J		R3205	NRSA6AJ-104W	MG RESISTOR	100kΩ 1/16W J	
R1063	NRSA6AJ-103W	MG RESISTOR	10kΩ 1/16W J		R3206	NRSA6AJ-104W	MG RESISTOR	100kΩ 1/16W J	
R1067	NRSA6AJ-332W	MG RESISTOR	3.3kΩ 1/16W J		R3218	NRSA6AJ-0R0W	MG RESISTOR	0Ω 1/16W J	
R1070	NRSA6AJ-823W	MG RESISTOR	82kΩ 1/16W J		R3219	NRSA6AJ-0R0W	MG RESISTOR	0Ω 1/16W J	
R1071	NRSA6AJ-623W	MG RESISTOR	62kΩ 1/16W J		R3220	NRSA6AJ-102W	MG RESISTOR	1kΩ 1/16W J	
R1073	NRSA6AJ-103W	MG RESISTOR	10kΩ 1/16W J		R3221	NRSA6AJ-0R0W	MG RESISTOR	0Ω 1/16W J	
R1074	NRSA6AJ-104W	MG RESISTOR	100kΩ 1/16W J		R3231	NRSA6AJ-0R0W	MG RESISTOR	0Ω 1/16W J	
R1075	NRSA6AJ-104W	MG RESISTOR	100kΩ 1/16W J		R3235	NRSA6AJ-104W	MG RESISTOR	100kΩ 1/16W J	
R1082	NRSA6AJ-105W	MG RESISTOR	1MΩ 1/16W J		R3702	NRSA6AD-680W	MG RESISTOR	68Ω 1/16W D	
R1088	NRSA6AJ-102W	MG RESISTOR	1kΩ 1/16W J		R3730	NRSA6AJ-472W	MG RESISTOR	4.7kΩ 1/16W J	
R1092	NRSA6AJ-473W	MG RESISTOR	47kΩ 1/16W J		R4201	NRSA6AJ-104W	MG RESISTOR	100kΩ 1/16W J	
R1109	NRSA6AJ-102W	MG RESISTOR	1kΩ 1/16W J		R4202	NRSA6AJ-100W	MG RESISTOR	10Ω 1/16W J	
R1117	NRSA6AJ-822W	MG RESISTOR	8.2kΩ 1/16W J		R4203	NRSA6AJ-100W	MG RESISTOR	10Ω 1/16W J	
R1121	NRSA6AJ-101W	MG RESISTOR	100Ω 1/16W J		R4204	NRSA6AJ-100W	MG RESISTOR	10Ω 1/16W J	
R1145	NRSA6AJ-102W	MG RESISTOR	1kΩ 1/16W J		R4205	NRSA6AJ-100W	MG RESISTOR	10Ω 1/16W J	
R1146	NRSA6AJ-473W	MG RESISTOR	47kΩ 1/16W J		R4206	NRSA6AJ-101W	MG RESISTOR	100Ω 1/16W J	
R2201	NRSA6AJ-563W	MG RESISTOR	56kΩ 1/16W J		R4207	NRSA6AJ-0R0W	MG RESISTOR	0Ω 1/16W J	
R2202	NRSA6AJ-223W	MG RESISTOR	22kΩ 1/16W J		R4208	NRSA6AJ-470W	MG RESISTOR	47Ω 1/16W J	
R2203	NRSA6AJ-563W	MG RESISTOR	56kΩ 1/16W J		R4209	NRSA6AJ-333W	MG RESISTOR	33kΩ 1/16W J	
R2204	NRSA6AJ-223W	MG RESISTOR	22kΩ 1/16W J		R4210	NRSA6AJ-330W	MG RESISTOR	33Ω 1/16W J	
R2205	NRSA6AJ-333W	MG RESISTOR	33kΩ 1/16W J		R4214	NRSA6AJ-0R0W	MG RESISTOR	0Ω 1/16W J	
R2206	NRSA6AJ-683W	MG RESISTOR	68kΩ 1/16W J		R4215	NRSA6AJ-332W	MG RESISTOR	3.3kΩ 1/16W J	
R2207	NRSA6AJ-564W	MG RESISTOR	560kΩ 1/16W J		R4216	NRSA6AJ-332W	MG RESISTOR	3.3kΩ 1/16W J	
R2208	NRSA6AJ-472W	MG RESISTOR	4.7kΩ 1/16W J		R4701	NRSA6AD-183W	MG RESISTOR	18kΩ 1/16W D	
R2210	NRSA6AJ-391W	MG RESISTOR	390Ω 1/16W J		R4702	NRSA6AD-183W	MG RESISTOR	18kΩ 1/16W D	
R2305	NRSA6AJ-100W	MG RESISTOR	10Ω 1/16W J		R4711	NRSA6AJ-474W	MG RESISTOR	470kΩ 1/16W J	
R2401	NRSA6AJ-472W	MG RESISTOR	4.7kΩ 1/16W J		R4712	NRSA6AJ-474W	MG RESISTOR	470kΩ 1/16W J	
R2403	NRSA6AJ-472W	MG RESISTOR	4.7kΩ 1/16W J		R4715	NRSA6AJ-102W	MG RESISTOR	1kΩ 1/16W J	
R2404	NRSA6AJ-183W	MG RESISTOR	18kΩ 1/16W J		R4716	NRSA6AJ-102W	MG RESISTOR	1kΩ 1/16W J	
R2405	NRSA6AJ-100W	MG RESISTOR	10Ω 1/16W J		R4901	NRSA6AJ-822W	MG RESISTOR	8.2kΩ 1/16W J	
R2601	NRSA6AJ-222W	MG RESISTOR	2.2kΩ 1/16W J		R4903	NRSA6AJ-822W	MG RESISTOR	8.2kΩ 1/16W J	
R2602	NRSA6AJ-222W	MG RESISTOR	2.2kΩ 1/16W J		R4904	NRSA6AJ-103W	MG RESISTOR	10kΩ 1/16W J	
R2701	NRSA6AJ-821W	MG RESISTOR	820Ω 1/16W J		R4905	NRSA6AJ-333W	MG RESISTOR	33kΩ 1/16W J	
R2702	NRSA6AJ-821W	MG RESISTOR	820Ω 1/16W J		R4906	NRSA6AJ-564W	MG RESISTOR	560kΩ 1/16W J	
R2703	NRSA6AJ-564W	MG RESISTOR	560kΩ 1/16W J		R4907	NRSA6AJ-105W	MG RESISTOR	1MΩ 1/16W J	
R2704	NRSA6AJ-564W	MG RESISTOR	560kΩ 1/16W J		R4911	NRSA6AJ-101W	MG RESISTOR	100Ω 1/16W J	
R2705	NRSA6AJ-332W	MG RESISTOR	3.3kΩ 1/16W J		R4916	NRSA6AJ-154W	MG RESISTOR	150kΩ 1/16W J	
R3001	NRSA6AJ-390W	MG RESISTOR	39Ω 1/16W J		R4917	NRSA6AJ-474W	MG RESISTOR	470kΩ 1/16W J	
R3002	NRSA6AJ-390W	MG RESISTOR	39Ω 1/16W J		R4923	NRSA6AJ-122W	MG RESISTOR	1.2kΩ 1/16W J	
R3011	NRSA6AJ-100W	MG RESISTOR	10Ω 1/16W J		R4924	NRSA6AJ-123W	MG RESISTOR	12kΩ 1/16W J	
R3012	NRSA6AJ-330W	MG RESISTOR	33Ω 1/16W J		R4927	NRSA6AJ-564W	MG RESISTOR	560kΩ 1/16W J	
R3014	NRSA6AJ-0R0W	MG RESISTOR	0Ω 1/16W J		R4931	NRSA6AJ-331W	MG RESISTOR	330Ω 1/16W J	
R3017	NRSA6AJ-0R0W	MG RESISTOR	0Ω 1/16W J		R4932	NRSA6AJ-331W	MG RESISTOR	330Ω 1/16W J	
R3032	NRSA6AD-682W	MG RESISTOR	6.8kΩ 1/16W D		R4933	NRSA6AJ-393W	MG RESISTOR	39kΩ 1/16W J	
R3033	NRSA6AD-103W	MG RESISTOR	10kΩ 1/16W D		R4934	NRSA6AJ-683W	MG RESISTOR	68kΩ 1/16W J	
R3037	NRSA6AJ-103W	MG RESISTOR	10kΩ 1/16W J		R4949	NRSA6AJ-103W	MG RESISTOR	10kΩ 1/16W J	
R3046	NRSA6AJ-473W	MG RESISTOR	47kΩ 1/16W J		R4950	NRSA6AJ-154W	MG RESISTOR	150kΩ 1/16W J	
R3050	NRSA6AJ-473W	MG RESISTOR	47kΩ 1/16W J		R4951	NRSA6AJ-154W	MG RESISTOR	150kΩ 1/16W J	
R3066	NRSA6AJ-101W	MG RESISTOR	100Ω 1/16W J		R4953	NRSA6AJ-471W	MG RESISTOR	470Ω 1/16W J	
R3067	NRSA6AJ-101W	MG RESISTOR	100Ω 1/16W J		R4954	NRSA6AJ-103W	MG RESISTOR	10kΩ 1/16W J	
R3072	NRSA6AJ-104W	MG RESISTOR	100kΩ 1/16W J		R4955	NRSA6AJ-103W	MG RESISTOR	10kΩ 1/16W J	
R3074	NRSA6AJ-122W	MG RESISTOR	1.2kΩ 1/16W J		R4961	NRSA6AJ-104W	MG RESISTOR	100kΩ 1/16W J	
R3075	NRSA6AJ-122W	MG RESISTOR	1.2kΩ 1/16W J		R4962	NRSA6AJ-104W	MG RESISTOR	100kΩ 1/16W J	
R3076	NRSA6AJ-122W	MG RESISTOR	1.2kΩ 1/16W J		R4987	NRSA6AJ-121W	MG RESISTOR	120Ω 1/16W J	
R3108	NRSA6AD-822W	MG RESISTOR	8.2kΩ 1/16W D		R4988	NRSA6AJ-121W	MG RESISTOR	120Ω 1/16W J	
R3109	NRSA6AD-393W	MG RESISTOR	39kΩ 1/16W D		R4990	NRSA6AJ-683W	MG RESISTOR	68kΩ 1/16W J	

MODEL	MARK	MODEL	MARK	MODEL	MARK	MODEL	MARK
GZ-MG630AEK	A	GZ-MG630AEZ	D	GZ-MG630REU	G	GZ-MG630SER	K
GZ-MG630AER	B	GZ-MG630REK	E	GZ-MG630REZ	H	GZ-MG630SEU	M
GZ-MG630AEU	C	GZ-MG630RER	F	GZ-MG630SEK	J	GZ-MG630SEZ	N

△ Symbol No.	Part No.	Part Name	Description	Local	△ Symbol No.	Part No.	Part Name	Description	Local
R4991	NRSA6AJ-683W	MG RESISTOR	68kΩ 1/16W J		RA1008	NRZ0087-102W	NET RESISTOR	1kΩ	
R4992	NRSA6AJ-153W	MG RESISTOR	15kΩ 1/16W J		RA1009	NRZ0087-104W	NET RESISTOR	100kΩ	
R4993	NRSA6AJ-104W	MG RESISTOR	100kΩ 1/16W J		RA1010	NRZ0087-104W	NET RESISTOR	100kΩ	
R4994	NRSA6AJ-104W	MG RESISTOR	100kΩ 1/16W J		RA1011	NRZ0087-473W	NET RESISTOR	47kΩ	
R4995	NRSA6AJ-104W	MG RESISTOR	100kΩ 1/16W J		RA1012	NRZ0087-473W	NET RESISTOR	47kΩ	
R4996	NRSA6AJ-104W	MG RESISTOR	100kΩ 1/16W J		RA1013	NRZ0087-102W	NET RESISTOR	1kΩ	
R6003	NRSA6AD-303W	MG RESISTOR	30kΩ 1/16W D		RA1014	NRZ0087-102W	NET RESISTOR	1kΩ	
R6004	NRSA6AD-473W	MG RESISTOR	47kΩ 1/16W D		RA1015	NRZ0087-102W	NET RESISTOR	1kΩ	
R6011	NRSA6AD-823W	MG RESISTOR	82kΩ 1/16W D		RA1016	NRZ0087-102W	NET RESISTOR	1kΩ	
R6012	NRSA6AD-333W	MG RESISTOR	33kΩ 1/16W D		RA3003	NRZ0034-104W	NET RESISTOR	100kΩ 1/32W J x4	
R6013	NRSA6AJ-103W	MG RESISTOR	10kΩ 1/16W J		RA3004	NRZ0034-104W	NET RESISTOR	100kΩ 1/32W J x4	
R6014	NRSA6AJ-104W	MG RESISTOR	100kΩ 1/16W J		RA3005	NRZ0034-104W	NET RESISTOR	100kΩ 1/32W J x4	
R6021	NRSA6AD-154W	MG RESISTOR	150kΩ 1/16W D		RA3006	NRZ0034-104W	NET RESISTOR	100kΩ 1/32W J x4	
R6022	NRSA6AD-393W	MG RESISTOR	39kΩ 1/16W D		RA3007	NRZ0034-151W	NET RESISTOR	150Ω 1/32W J x4	
R6024	NRSA6AJ-474W	MG RESISTOR	470kΩ 1/16W J		RA3008	NRZ0034-151W	NET RESISTOR	150Ω 1/32W J x4	
R6101	NRSA6AJ-362W	MG RESISTOR	3.6kΩ 1/16W J		RA3009	NRZ0034-151W	NET RESISTOR	150Ω 1/32W J x4	
R6103	NRSA6AD-183W	MG RESISTOR	18kΩ 1/16W D		RA3010	NRZ0034-151W	NET RESISTOR	150Ω 1/32W J x4	
R6104	NRSA6AD-103W	MG RESISTOR	10kΩ 1/16W D		L111	NRSA02J-0R0X	MG RESISTOR	0Ω 1/10W J	
R6106	NRSA63J-0R0X	MG RESISTOR	0Ω 1/10W J		L141	NQR0499-001X	FERRITE BEADS		
R6107	NRSA6AD-301W	MG RESISTOR	300Ω 1/16W D		L1002	NQL38DK-100X	P COIL	10uH K	
R6201	NRSA6AJ-362W	MG RESISTOR	3.6kΩ 1/16W J		L2401	NQLC32M-100X	COIL	10uH M	
R6203	NRSA6AD-183W	MG RESISTOR	18kΩ 1/16W D		L2402	NQLC32M-100X	COIL	10uH M	
R6204	NRSA6AD-203W	MG RESISTOR	20kΩ 1/16W D		L2601	NQR0559-009X	FERRITE BEADS		
R6205	NRSA6AD-124W	MG RESISTOR	120kΩ 1/16W D		L2602	NQR0559-009X	FERRITE BEADS		
R6301	NRSA6AJ-362W	MG RESISTOR	3.6kΩ 1/16W J		L2603	NQR0559-009X	FERRITE BEADS		
R6303	NRSA6AD-103W	MG RESISTOR	10kΩ 1/16W D		L3001	NQR0573-005X	FERRITE BEADS		
R6304	NRSA6AD-204W	MG RESISTOR	200kΩ 1/16W D		L3003	NQR0573-005X	FERRITE BEADS		
R6401	NRSA6AJ-362W	MG RESISTOR	3.6kΩ 1/16W J		L3004	NRSA6AJ-0R0W	MG RESISTOR	0Ω 1/16W J	
R6403	NRSA6AD-303W	MG RESISTOR	30kΩ 1/16W D		L3007	NQR0573-005X	FERRITE BEADS		
R6404	NRSA6AD-153W	MG RESISTOR	15kΩ 1/16W D		L3008	NQR0573-005X	FERRITE BEADS		
R6405	NRSA6AJ-0R0W	MG RESISTOR	0Ω 1/16W J		L3011	NQR0573-005X	FERRITE BEADS		
R6411	NRSA6AD-104W	MG RESISTOR	100kΩ 1/16W D		L3012	NQR0603-001X	EMI FILTER		
R6501	NRSA6AJ-272W	MG RESISTOR	2.7kΩ 1/16W J		L3703	NQL302N-100X	COIL	10uH N	
R6502	NRSA6AJ-682W	MG RESISTOR	6.8kΩ 1/16W J		L4201	NQL38DK-100X	P COIL	10uH K	
R6503	NRSA6AD-114W	MG RESISTOR	110kΩ 1/16W D		L4202	NQL38DK-100X	P COIL	10uH K	
R6505	NRSA6AD-103W	MG RESISTOR	10kΩ 1/16W D		L4203	NQL38DK-220X	P COIL	22uH K	
R6506	NRSA6AD-104W	MG RESISTOR	100kΩ 1/16W D		L4204	NQL38DK-220X	P COIL	22uH K	
R6507	NRSA6AD-563W	MG RESISTOR	56kΩ 1/16W D		L4901	NQR0499-001X	FERRITE BEADS		
R6508	NRSA6AD-754W	MG RESISTOR	750kΩ 1/16W D		L4902	NQL38DK-100X	P COIL	10uH K	
R6509	NRSA6AJ-333W	MG RESISTOR	33kΩ 1/16W J		L4903	NQL38DK-100X	P COIL	10uH K	
R6510	NRSA6AJ-103W	MG RESISTOR	10kΩ 1/16W J		L6101	NQLG4EM-470X	COIL	47uH M	
R6511	NRSA63J-101X	MG RESISTOR	100Ω 1/16W J		L6201	NQLG4EM-680X	COIL	68uH M	
R6519	NRSA6AJ-0R0W	MG RESISTOR	0Ω 1/16W J		L6301	NQLG4EM-390X	COIL	39uH M	
R6522	NRSA6AD-153W	MG RESISTOR	15kΩ 1/16W D		L6401	NQLG4EM-390X	COIL	39uH M	
R6523	NRSA6AD-223W	MG RESISTOR	22kΩ 1/16W D		L6501	NQL52EM-221X	COIL	220uH M	
R6524	NRSA6AD-223W	MG RESISTOR	22kΩ 1/16W D		L6502	NQL38DK-100X	P COIL	10uH K	
R6525	NRSA6AJ-273W	MG RESISTOR	27kΩ 1/16W J		L6701	NQL52EM-470X	COIL	47uH M	
R6526	NRSA6AJ-822W	MG RESISTOR	8.2kΩ 1/16W J		L6901	NQL79GM-470X	COIL	47uH M	
R6702	NRSA6AJ-561W	MG RESISTOR	560Ω 1/16W J		L7801	NQL38DK-101X	P COIL	100uH K	
R6703	NRSA6AD-433W	MG RESISTOR	43kΩ 1/16W D		CN101	QGF0534F2-36X	CONNECTOR	FFC/FPC (1-36)	
R6704	NRSA6AD-103W	MG RESISTOR	10kΩ 1/16W D		CN102	QGF0534F2-40X	CONNECTOR	FFC/FPC (1-40)	
R6705	NRSA6AD-393W	MG RESISTOR	39kΩ 1/16W D		CN103	QGF0534F2-32X	CONNECTOR	FFC/FPC (1-32)	
R6706	NRSA6AJ-562W	MG RESISTOR	5.6kΩ 1/16W J		CN104	QGF0534F3-12X	CONNECTOR	FFC/FPC (1-12)	
R6708	NRSA6AD-153W	MG RESISTOR	15kΩ 1/16W D		CN105	QGF0543F3-22X	CONNECTOR	FFC/FPC (1-22)	
R6710	NRSA6AD-114W	MG RESISTOR	110kΩ 1/16W D		CN106	QGF0543F3-25X	CONNECTOR	FFC/FPC (1-25)	
R6711	NRSA6AJ-472W	MG RESISTOR	4.7kΩ 1/16W J		CN107	QGA1001F1-04X	CONNECTOR	W-B (1-4)	
R6712	NRSA6AJ-224W	MG RESISTOR	220kΩ 1/16W J		CN111	QGF0543F3-06X	CONNECTOR	FFC/FPC (1-6)	
R6714	NRSA6AJ-105W	MG RESISTOR	1MΩ 1/16W J		CN112	NNZ0189-001X	MICRO SD CONNECTOR		
R6715	NRSA6AJ-105W	MG RESISTOR	1MΩ 1/16W J		CN701	QGB0512L1-30X	CONNECTOR	B-B (1-30)	
R6716	NRV142F-R20X	CMF RESISTOR	0.2Ω 1/4W F		△ F6001	NMFZ007-2R5X-K	FUSE	2.5A 24V	
R6901	NRSA6AJ-472W	MG RESISTOR	4.7kΩ 1/16W J		△ F6002	NMFZ007-2R5X-K	FUSE	2.5A 24V	
R6902	NRSA6AJ-102W	MG RESISTOR	1kΩ 1/16W J		F6003	NRSA63J-0R0X	MG RESISTOR	0Ω 1/10W J	
R7803	NRSA6AD-822W	MG RESISTOR	8.2kΩ 1/16W D		F6501	NRSA63J-0R0X	MG RESISTOR	0Ω 1/10W J	
R7804	NRSA6AD-822W	MG RESISTOR	8.2kΩ 1/16W D		F6701	NRSA63J-0R0X	MG RESISTOR	0Ω 1/10W J	
R7805	NRSA6AD-822W	MG RESISTOR	8.2kΩ 1/16W D		HD1	LY36665-001B	HOLDER(LED)		
R7809	NRSA6AJ-822W	MG RESISTOR	8.2kΩ 1/16W J		J101	QNZ1008-001	USB CONNECTOR		
R7810	NRSA6AJ-822W	MG RESISTOR	8.2kΩ 1/16W J		OT1	LY36666-001A	CAP(LED)		
R7811	NRSA6AJ-822W	MG RESISTOR	8.2kΩ 1/16W J		X1001	NAX0647-001X	C RESONATOR	20.000MHz	
R7813	NRSA6AJ-103W	MG RESISTOR	10kΩ 1/16W J		X1002	NAX0950-001X	CRYSTAL	32.768KHz	
R7814	NRSA6AJ-123W	MG RESISTOR	12kΩ 1/16W J		X3001	NAX1023-001X	C RESONATOR	48.000MHz	
R8817	NRSA6AJ-0R0W	MG RESISTOR	0Ω 1/16W J		X4201	NAX1012-001X	CRYSTAL	27.000MHz	
RA1001	NRZ0087-104W	NET RESISTOR	100kΩ						
RA1002	NRZ0087-102W	NET RESISTOR	1kΩ						
RA1003	NRZ0087-101W	NET RESISTOR	100Ω 1/15W J						
RA1004	NRZ0087-101W	NET RESISTOR	100Ω 1/15W J						
RA1005	NRZ0087-102W	NET RESISTOR	1kΩ						
RA1006	NRZ0087-102W	NET RESISTOR	1kΩ						
RA1007	NRZ0087-102W	NET RESISTOR	1kΩ						

MODEL	MARK	MODEL	MARK	MODEL	MARK	MODEL	MARK
GZ-MG630AEK	A	GZ-MG630AEZ	D	GZ-MG630REU	G	GZ-MG630SER	K
GZ-MG630AER	B	GZ-MG630REK	E	GZ-MG630REZ	H	GZ-MG630SEU	M
GZ-MG630AEU	C	GZ-MG630RER	F	GZ-MG630SEK	J	GZ-MG630SEZ	N

CCD BOARD ASSEMBLY <02>

△ Symbol No. Part No. Part Name Description Local

△ Symbol No.	Part No.	Part Name	Description	Local
PW1	LYA10152-01B	CCD BOARD ASSY		
Q5001	2SC5345U/Y/-X	TRANSISTOR		
Q5001	or 2SC3931/CD/-X	TRANSISTOR		
Q5001	or 2SC4265JC07-X	TRANSISTOR		
C5001	NCJ21CK-475X-D	C CAPACITOR	4.7uF 16V K	
C5005	NCB31EK-104X	C CAPACITOR	0.1uF 25V K	
C5006	NCB31CK-104X	C CAPACITOR	0.1uF 16V K	
C5007	NCB31HK-222X	C CAPACITOR	2200pF 50V K	
R5001	NRSA63J-332X	MG RESISTOR	3.3kΩ 1/16W J	
R5004	NRSA63J-0R0X	MG RESISTOR	0Ω 1/10W J	
L5001	NRSA02J-0R0X	MG RESISTOR	0Ω 1/10W J	
L5002	NRSA02J-0R0X	MG RESISTOR	0Ω 1/10W J	
CN5001	QGF0543F3-22X	CONNECTOR	FFC/FPC (1-22)	
WR1	QAL1148-001	FPC	CCD-MAIN	

REAR BOARD ASSEMBLY <05>

△ Symbol No. Part No. Part Name Description Local

△ Symbol No.	Part No.	Part Name	Description	Local
WR1	QAL1146-001	FPC	OPF-MAIN	
PW3	LYA10153-01B4	REAR BOARD ASSY		
D601	MA8068-X	Z DIODE		
D602	MA8068-X	Z DIODE		
D603	UDZS16B-X	Z DIODE		
D604	EMZ6.8N-X	Z DIODE		
C603	NCB31HK-102X	C CAPACITOR	1000pF 50V K	
C604	NCB31HK-102X	C CAPACITOR	1000pF 50V K	
C605	NCB31CK-104X	C CAPACITOR	0.1uF 16V K	
C606	NCB31CK-104X	C CAPACITOR	0.1uF 16V K	
C607	NCB31CK-104X	C CAPACITOR	0.1uF 16V K	
R601	NRSA63J-101X	MG RESISTOR	100Ω 1/16W J	
R602	NRSA63J-101X	MG RESISTOR	100Ω 1/16W J	
L601	NRSA63J-0R0X	MG RESISTOR	0Ω 1/10W J	
L602	NQR0251-004X	FERRITE BEADS		
L603	NQR0251-004X	FERRITE BEADS		
BT601	LY35736-001A	BATT.TERMINAL		
△ BT602	QAB0050-001	LITHIUM BATTERY	CR2032/H1G 3V 220mAh	
CN602	QGF0534F2-32X	CONNECTOR	FFC/FPC (1-32)	
J601	QNS0287-001	3.5 JACK		
J602	QNA0050-002	DC JACK		
WR1	QAL1147-001	FPC	REAR-MAIN	

SENSOR BOARD ASSEMBLY <03>

△ Symbol No. Part No. Part Name Description Local

△ Symbol No.	Part No.	Part Name	Description	Local
PW1	LYA10153-01B3	SENSOR BOARD ASSY		
IC301	CP7126AT-X	IC		
D301	LNJ953W8C-X	LED		
D302	LNJ953W8C-X	LED		
D303	LNJ953W8C-X	LED		
D304	LNJ953W8C-X	LED		
C301	NCB30JK-105X	C CAPACITOR	1uF 6.3V K	
C303	NCB20JK-475X	C CAPACITOR	4.7uF 6.3V K	
C304	NDC31HJ-102X	C CAPACITOR	1000pF 50V J	
R301	NRSA63J-391X	MG RESISTOR	390Ω 1/16W J	
R302	NRSA63J-391X	MG RESISTOR	390Ω 1/16W J	
R303	NRSA63J-391X	MG RESISTOR	390Ω 1/16W J	
R304	NRSA63J-391X	MG RESISTOR	390Ω 1/16W J	
L301	NQR0599-003X	FERRITE BEADS		
L302	NQR0599-003X	FERRITE BEADS		
CN301	QGF0565C1-08W	CONNECTOR	FFC/FPC (1-8)	
OT1	LY36704-001A	SHEET (LED)		
WR1	QAL1038-001	FPC	MON-SENSOR	

MONITOR BOARD ASSEMBLY <06>

△ Symbol No. Part No. Part Name Description Local

△ Symbol No.	Part No.	Part Name	Description	Local
PW4	LYA10153-01B1	MONITOR BOARD ASSY		
IC701	HGDESN031A-X	IC		
IC7301	TC7S204FU-F-X	IC(DIGITAL)		
Q701	2SC4617/QR/-X	TRANSISTOR		
Q701	or 2SC5383/E/-X	TRANSISTOR		
Q701	or 2SD2216J/QR/-X	TRANSISTOR		
Q7301	2SC4617/QR/-X	TRANSISTOR		
Q7301	or 2SD2216J/QR/-X	TRANSISTOR		
Q7301	or 2SC5383/E/-X	TRANSISTOR		
Q7302	2SA1774/QR/-X	TRANSISTOR		
Q7302	or 2SB1462J/QR/-X	TRANSISTOR		
Q7302	or 2SA1989/QR/-X	TRANSISTOR		
Q7303	2SC4617/QR/-X	TRANSISTOR		
Q7303	or 2SD2216J/QR/-X	TRANSISTOR		
Q7303	or 2SC5383/E/-X	TRANSISTOR		
Q7305	DTC143XE-X	DIGI TRANSISTOR		
Q7305	or UN921FJ-X	DIGI TRANSISTOR		
Q7305	or SRC1219EF-X	DIGI TRANSISTOR		
Q7305	or KRC419E-X	DIGI TRANSISTOR		
Q7305	or RT1N432U-X	DIGI TRANSISTOR		
Q7306	DTC124EE-X	DIGI TRANSISTOR		
Q7306	or UN9212J-X	DIGI TRANSISTOR		
Q7306	or SRC1203EF-X	DIGI TRANSISTOR		
Q7306	or KRC403E-X	DIGI TRANSISTOR		
Q7306	or RT1N241U-X	DIGI TRANSISTOR		
Q7701	2SC4617/QR/-X	TRANSISTOR		
Q7701	or 2SC5383/E/-X	TRANSISTOR		
Q7701	or 2SD2216J/QR/-X	TRANSISTOR		
Q7702	UMX1N-W	PAIR TRANSISTOR		
Q7702	or KTC801U/G/-X	PAIR TRANSISTOR		
Q7702	or RT3CLLM/EF/-X	TRANSISTOR		
Q7702	or XP4501-W	TRANSISTOR		

OPE BOARD ASSEMBLY <04>

△ Symbol No. Part No. Part Name Description Local

△ Symbol No.	Part No.	Part Name	Description	Local
PW2	LYA10153-01B2	OPE BOARD ASSY		
R401	NRSA63J-682X	MG RESISTOR	6.8kΩ 1/16W J	
R402	NRSA63J-153X	MG RESISTOR	15kΩ 1/16W J	
R403	NRSA63J-473X	MG RESISTOR	47kΩ 1/16W J	
CN401	QGF0566C1-40X	CONNECTOR	FFC/FPC (1-40)	
CN402	QGF0534F2-28X	CONNECTOR	FFC/FPC (1-28)	
CN403	QGA1001F1-02X	CONNECTOR	W-B (1-2)	
S401	NSW0294-001X	LEVER SWITCH		
S402	NSW0198-001X	TACT SWITCH		
S403	NSW0198-001X	TACT SWITCH		
S404	NSW0198-001X	TACT SWITCH		
S405	NSW0198-001X	TACT SWITCH		
S406	NSW0198-001X	TACT SWITCH		
S407	NSW0198-001X	TACT SWITCH		
S408	NSW0099-001X	SLIDE SWITCH		

MODEL	MARK	MODEL	MARK	MODEL	MARK	MODEL	MARK
GZ-MG630AEK	A	GZ-MG630AEZ	D	GZ-MG630REU	G	GZ-MG630SER	K
GZ-MG630AER	B	GZ-MG630REK	E	GZ-MG630REZ	H	GZ-MG630SEU	M
GZ-MG630AEU	C	GZ-MG630RER	F	GZ-MG630SEK	J	GZ-MG630SEZ	N

△ Symbol No. Part No. Part Name Description Local

Q7702	or PUMX1-W	PAIR TRANSISTOR		
Q7703	UMX1N-W	PAIR TRANSISTOR		
Q7703	or KTC801U/G/-X	PAIR TRANSISTOR		
Q7703	or RT3CLLM/EF/-X	TRANSISTOR		
Q7703	or XP4501-W	TRANSISTOR		
Q7703	or PUMX1-W	PAIR TRANSISTOR		
D7301	1SS355-X	SI DIODE		
D7301	or MA111-X	SI DIODE		
D7301	or SDS511-X	SI DIODE		
D7301	or 1SS352-X	SI DIODE		
D7302	UDZS5.1B-X	Z DIODE		
D7302	or MA8051M/-X	Z DIODE		
D7701	NSSW006/T294-X	LED		
D7702	NSSW006/T294-X	LED		
D7703	NSSW006/T294-X	LED		
D7704	NSSW006/T294-X	LED		
C701	NCB30JK-105X	C CAPACITOR	1uF 6.3V K	
C702	NCB30JK-105X	C CAPACITOR	1uF 6.3V K	
C7302	NCB20JK-106X	C CAPACITOR	10uF 6.3V K	
C7303	NCB20JK-106X	C CAPACITOR	10uF 6.3V K	
C7305	NCB11CK-475X	C CAPACITOR	4.7uF 16V K	
C7307	NCB20JK-106X	C CAPACITOR	10uF 6.3V K	
C7308	NCB21CK-104X	C CAPACITOR	0.1uF 16V K	
C7309	NCB21CK-105X	C CAPACITOR	1uF 16V K	
C7310	NCB21CK-105X	C CAPACITOR	1uF 16V K	
C7311	NCB21CK-105X	C CAPACITOR	1uF 16V K	
C7312	NCB31CK-105X	C CAPACITOR	1uF 16V K	
C7314	NCB31CK-105X	C CAPACITOR	1uF 16V K	
R701	NRSA63J-472X	MG RESISTOR	4.7kΩ 1/16W J	
R702	NRSA63J-123X	MG RESISTOR	12kΩ 1/16W J	
R703	NRSA63J-471X	MG RESISTOR	470Ω 1/16W J	
R707	NRSA63J-104X	MG RESISTOR	100kΩ 1/16W J	
R7301	NRSA63J-102X	MG RESISTOR	1kΩ 1/16W J	
R7302	NRSA63J-273X	MG RESISTOR	27kΩ 1/16W J	
R7303	NRSA63J-222X	MG RESISTOR	2.2kΩ 1/16W J	
R7304	NRSA63D-221X	MG RESISTOR	220Ω 1/16W D	
R7305	NRSA63D-272X	MG RESISTOR	2.7kΩ 1/16W D	
R7306	NRSA63D-332X	MG RESISTOR	3.3kΩ 1/16W D	
R7307	NRSA63J-104X	MG RESISTOR	100kΩ 1/16W J	
R7310	NRSA63J-472X	MG RESISTOR	4.7kΩ 1/16W J	
R7311	NRSA63J-182X	MG RESISTOR	1.8kΩ 1/16W J	
R7312	NRSA63J-473X	MG RESISTOR	47kΩ 1/16W J	
R7313	NRSA63J-473X	MG RESISTOR	47kΩ 1/16W J	
R7314	NRSA63J-473X	MG RESISTOR	47kΩ 1/16W J	
R7315	NRSA63J-105X	MG RESISTOR	1MΩ 1/16W J	
R7318	NRSA63J-123X	MG RESISTOR	12kΩ 1/16W J	
R7701	NRSA63D-391X	MG RESISTOR	390Ω 1/16W D	
R7702	NRSA63D-682X	MG RESISTOR	6.8kΩ 1/16W D	
R7703	NRSA63D-330X	MG RESISTOR	33Ω 1/16W D	
R7704	NRSA63D-330X	MG RESISTOR	33Ω 1/16W D	
R7705	NRSA63D-330X	MG RESISTOR	33Ω 1/16W D	
R7706	NRSA63D-330X	MG RESISTOR	33Ω 1/16W D	
L7302	NQL382M-100X	COIL	10uH M	
CN701	QGF0534F2-24X	CONNECTOR	FFC/FPC (1-24)	
CN702	QGF0528F4-08X	CONNECTOR	FFC/FPC (1-8)	
CN703	QGF0309F2-29X	CONNECTOR	FFC/FPC (1-29)	