

PARTS LIST

SAFETY PRECAUTION

Parts identified by the \triangle symbol are critical for safety. Replace only with specified part numbers.

BEWARE OF BOGUS PARTS

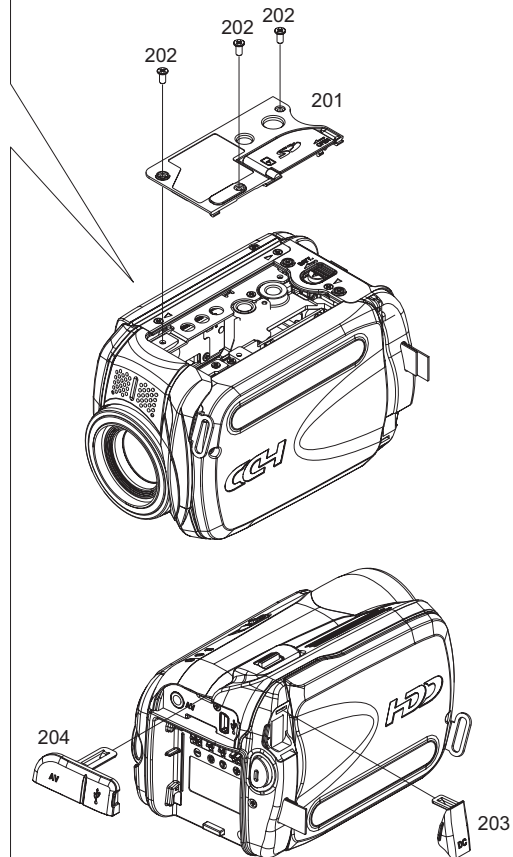
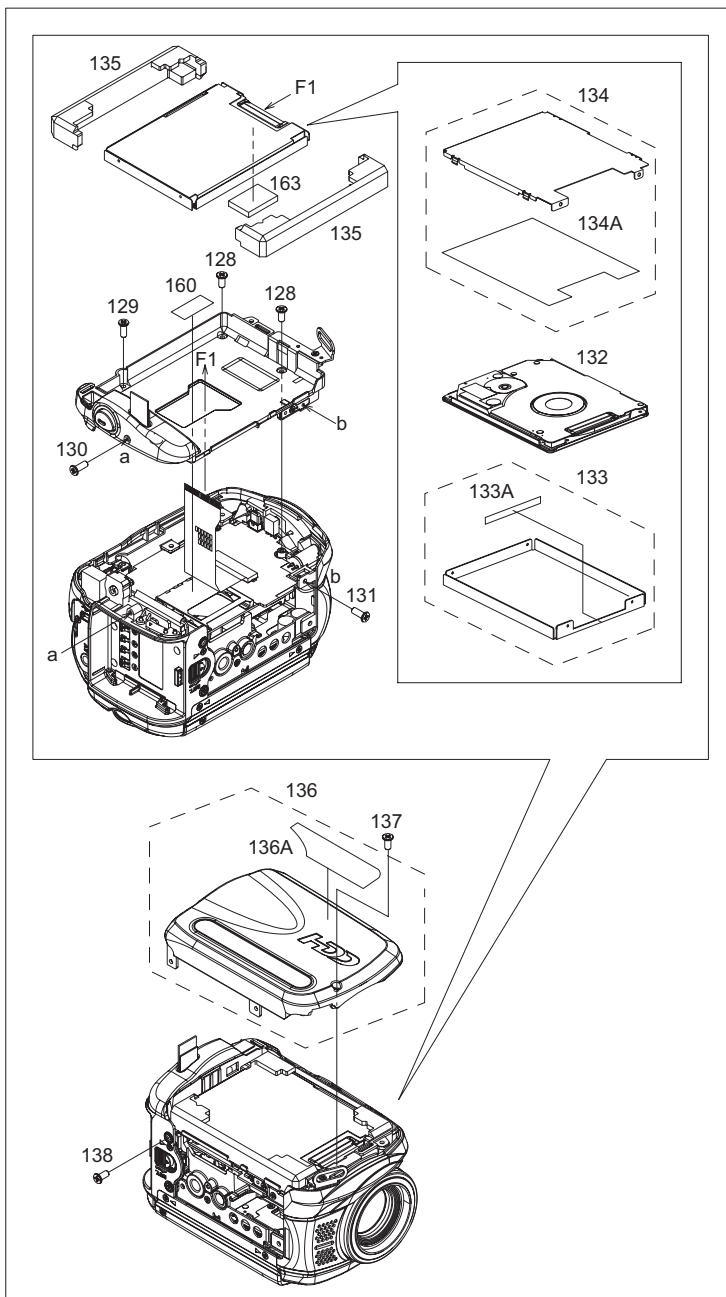
Parts that do not meet specifications may cause trouble in regard to safety and performance. We recommend that genuine JVC parts be used.

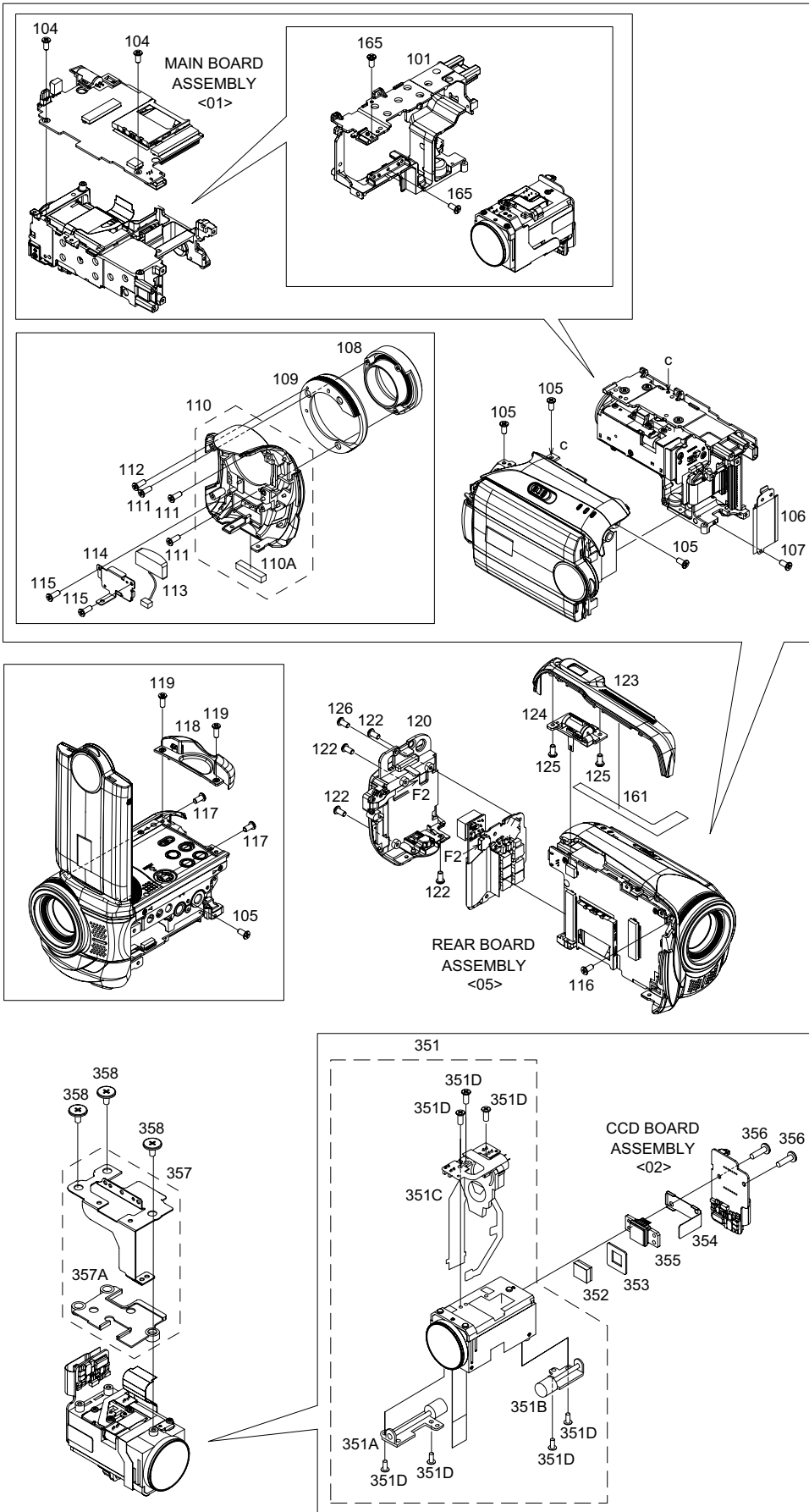
1. EXPLODED VIEW

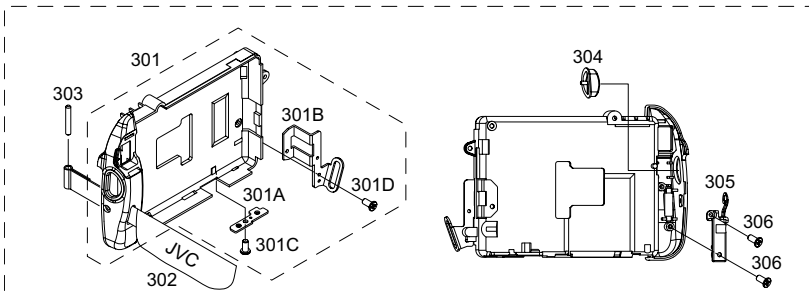
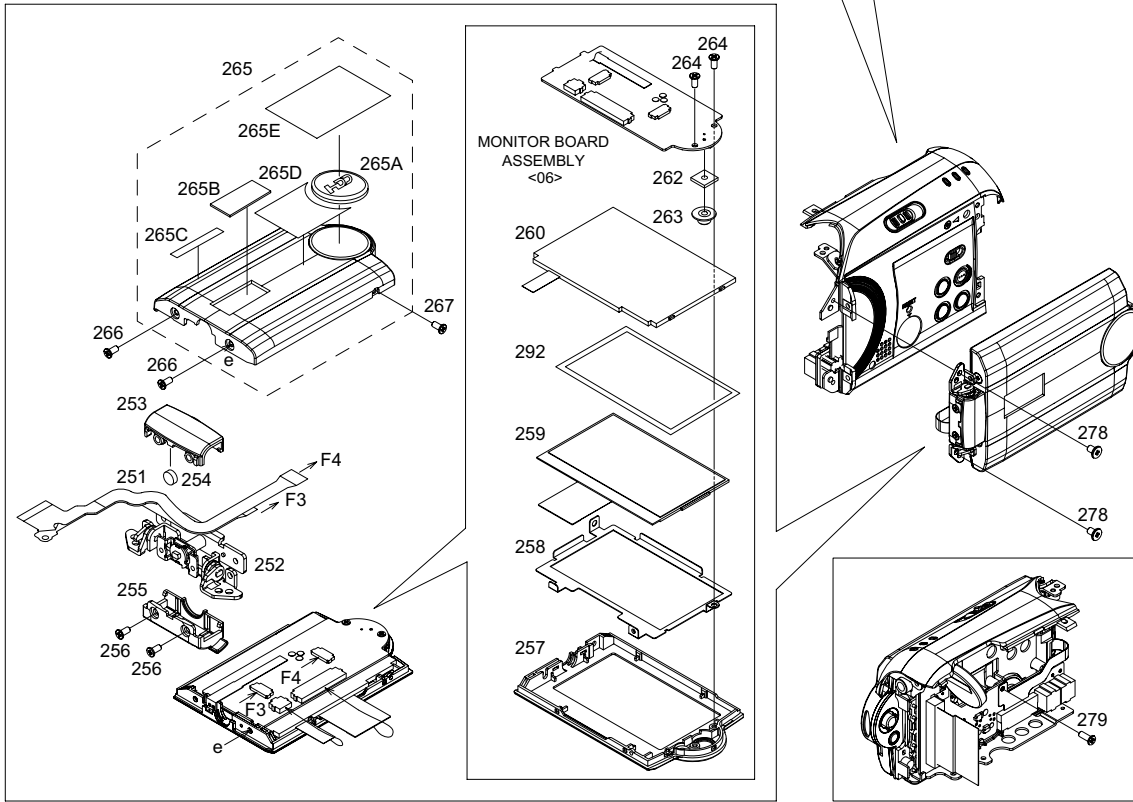
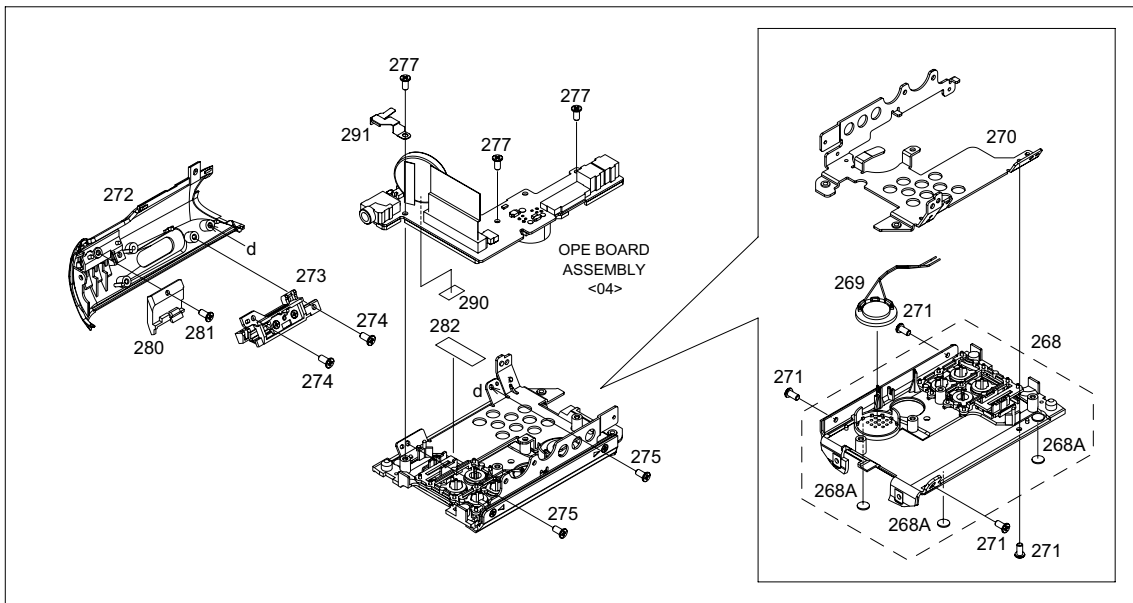
1.1 FINAL ASSEMBLY<M1>

The instruction manual to be provided with this product will differ according to the destination.

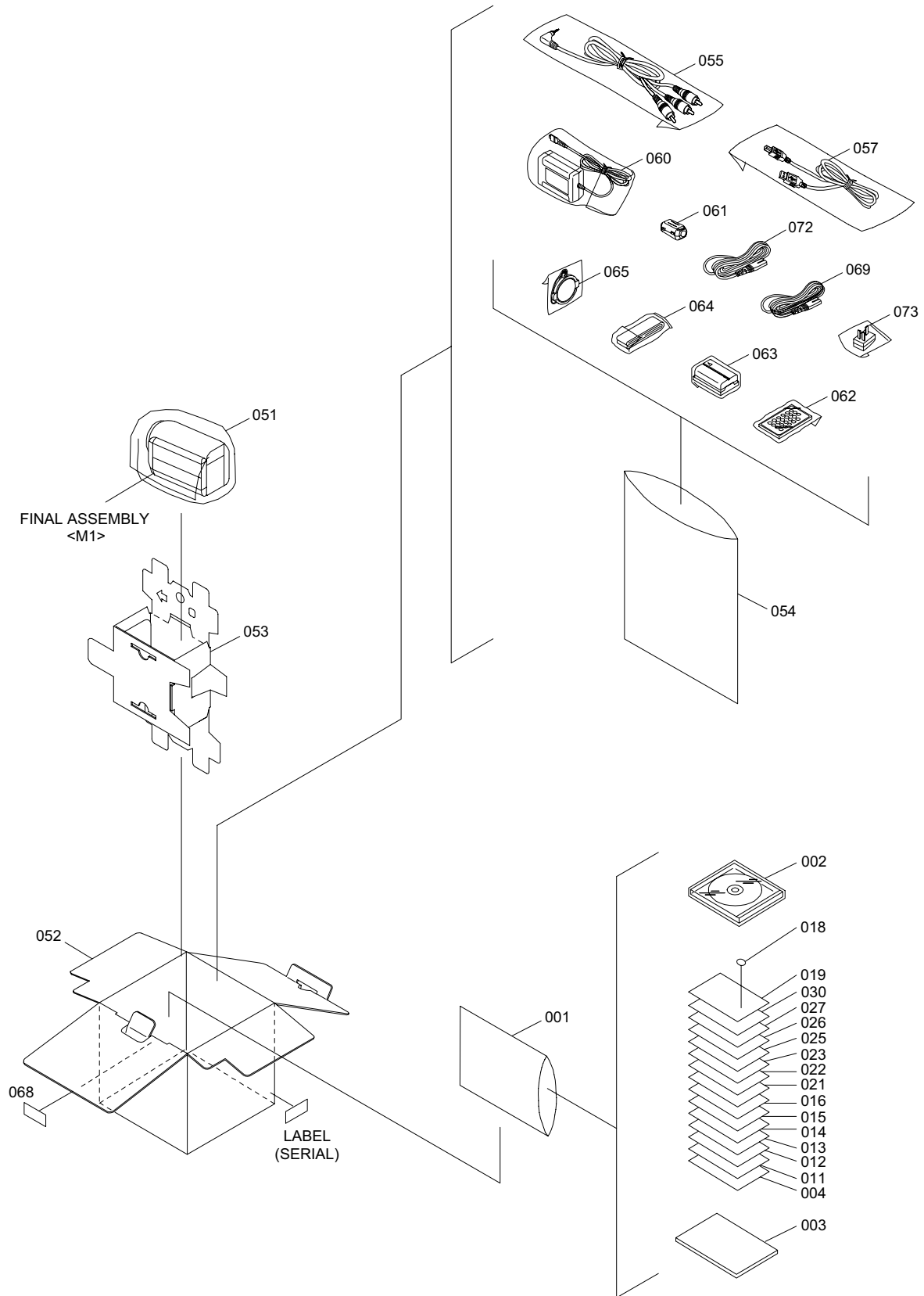
MODEL	MARK
GZ-MG47EX	A
GZ-MG47EY	B
GZ-MG47EZ	C
GZ-MG57AA	D
GZ-MG57AC	E
GZ-MG57AG	F
GZ-MG57AH	G
GZ-MG57AS	H
GZ-MG57EK	J
GZ-MG57EX	K
GZ-MG57EY	M
GZ-MG57EZ	N







1.2 PACKING AND ACCESSORY ASSEMBLY <M5>



MODEL	MARK	MODEL	MARK	MODEL	MARK	MODEL	MARK
GZ-MG47EX	A	GZ-MG57AA	D	GZ-MG57AH	G	GZ-MG57EX	K
GZ-MG47EY	B	GZ-MG57AC	E	GZ-MG57AS	H	GZ-MG57EY	M
GZ-MG47EZ	C	GZ-MG57AG	F	GZ-MG57EK	J	GZ-MG57EZ	N

2. PARTS LIST

FINAL ASSEMBLY <M1>

△ Symbol No.	Part No.	Part Name	Description	Local
101	LY21504-001B-ML	FRAME(1.3M)	JPN	H
101	LY21504-001C	FRAME(1.3M)	AB,C,D,E,F,J,K,M,N	G
101	LY21504-001C-ML	FRAME(1.3M)		
104	LY30031-0K7A	SPECIAL SCREW	MAIN-FRM(x2)	
105	LY30031-0K7A	SPECIAL SCREW	UPPER-FRM(x4)	
106	LY35256-001A	SHIELD(FRAME)	AB,C,D,E,F,J,K,M,N	
106	LY35256-001A-ML	SHIELD(FRAME)	G,H	
107	LY30031-0K7A	SPECIAL SCREW	SHIELD-FRM	
108	LY35321-001B	HOOD(1.3M)	AB,C,D,E,F,J,K,M,N	
108	LY35321-001B-ML	HOOD(1.3M)	G,H	
109	LY35237-001C	RING	AB,C,D,E,F,J,K,M,N	
109	LY35237-001C-ML	RING	G,H	
110	LY35228-007B	F.COVER ASSY	AB,C,D,E,F,J,K,M,N	
110	LY35228-007A-ML	F.COVER ASSY	G,H	
110A	LY30035-031A	SPACER(A)		
111	LY30031-0L8B	SPECIAL SCREW	FRONT-HOOD(x3)	
112	LY30031-0K7A	SPECIAL SCREW	FRONT-RING	
113	LY35303-002A	MIC		
114	LY35268-001A	BKT(MIC)	AB,C,D,E,F,J,K,M,N	
114	LY35268-001A-ML	BKT(MIC)	G,H	
115	LY30031-0L8B	SPECIAL SCREW	BKT(MIC-FR)(x2)	
116	LY30031-0K7A	SPECIAL SCREW	FRONT-FRM	
117	LY30031-038A	SPECIAL SCREW	UPPER-FRON(x2)	
118	LY35215-011B	M.L.CASE ASSY	AB,C,D,E,F,J,K,M,N	
118	LY35215-011B-ML	M.L.CASE ASSY	G,H	
119	LY30031-0L8B	SPECIAL SCREW	MLOCK-UPPE(x2)	AB,C,D,E,F,J,K,M,N
119	LY30031-023A	SPECIAL SCREW	MLOCK-UPPE(x2)	G,H
△ 120	LY21491-001C	REAR UNIT		
122	LY30031-0K7A	SPECIAL SCREW	REAR-FRM(x4)	
123	LY21485-001A	TOP COVER(ZOOM)	AB,C,D,E,F,J,K,M,N	
123	LY21485-001A-ML	TOP COVER(ZOOM)	G,H	
124	LY34990-001E	ZOOM UNIT		
125	LY30031-0L8B	SPECIAL SCREW	ZOOM-TOP(Z)(x2)	
126	LY30031-0K7A	SPECIAL SCREW	TOP(Z)-FRM	
128	LY30031-0K7A	SPECIAL SCREW	HCASE-FRM(x2)	
129	LY30031-0L8B	SPECIAL SCREW	HCASE-ZOOM	
130	LY30031-0L8B	SPECIAL SCREW	HCASE-REAR	
131	LY30031-0K7A	SPECIAL SCREW	FRONT-HCAS	
132	QAL0885-001	HDD	20G	A,B,C
132	QAL0885-002	HDD	30G	D,E,F,G,H,J,K,M,N
133	LY35388-001B	BKT(HDD)U ASSY	AB,C,D,E,F,G,H,J,K,M,N	
133	LY35388-001B-ML	BKT(HDD)U ASSY	G,H	
133A	LY30035-033A	SPACER(A)		
134	LY35243-001A-ML	BKT(HDD)ASSY	G,H	
134	LY35243-001B	BKT(HDD)ASSY	AB,C,D,E,F,J,K,M,N	
134A	LY35244-001A	SHEET(HDD)	G,H	
134A	LY35244-001B	SHEET(HDD)	AB,C,D,E,F,J,K,M,N	
135	LY35245-001A	GEL	(x2)	
136	LY35246-015B-ML	HDD COVER ASSY	G,H	
136	LY35246-015C	HDD COVER ASSY	AB,C,D,E,F,J,K,M,N	
136A	LY35312-001A	STICKER(HDD)		
137	LY30031-0K7A	SPECIAL SCREW	HCOV-HOOK	
138	LY30031-0K7A	SPECIAL SCREW	REAR(B-FRM)	
160	LY34189-018A	GASCKET	SD	
161	LY45202-001A	SHIELD(ZOOM)		
163	LY34189-020A	GASCKET	FPC	
165	LY30031-0K7A	SPECIAL SCREW	OPBKT-FRM(x2)	
201	LY35247-001B	B.COVER ASSY	AB,C,D,E,F,J,K,M,N	
201	LY35247-001B-ML	B.COVER ASSY	G,H	
202	LY30031-0K7A	SPECIAL SCREW	BOTTOM(x3)	
203	LY35239-001A	JACK COVER(DC)	AB,C,D,E,F,J,K,M,N	
203	LY35239-001A-ML	JACK COVER(DC)	G,H	
204	LY35233-001A	JACK COVER(REAR)	AB,C,D,E,F,J,K,M,N	
204	LY35233-001A-ML	JACK COVER(REAR)	G,H	
250	UU06E3W14A	U.UNIT ASSY	FOR JAPAN	E,F,G,H,J,K,M,N
250	UU06E3W15A	U.UNIT ASSY	FOR JAPAN	A,B,C
250	UU06E3W20A	U.UNIT ASSY	FOR JAPAN	D
251	QAL0806-001	FPC	MONI-OPE	
252	LY35075-001A	HINGE UNIT	YEM	
253	LY35219-011B	HINGE COVER(U)		
254	LY43413-001A	P.C.MAGNET		
255	LY35220-001C	HINGE COVER(L)		
256	LY30031-0K7A	SPECIAL SCREW	HCOV-HINGE(x2)	
257	LY35213-014A	MONI.CASE ASSY		

△ Symbol No.	Part No.	Part Name	Description	Local
258	LY21475-001B	LCD BKT(WIDE)		16:9
259	QLD0417-002	LCD MODULE		16:9
260	QLL0178-002	BACK LIGHT		16:9
262	LY45193-001A	SPACER(CURSOL)		
263	LY45166-001C	KNOB(CURSOL)		
264	LY30031-0L8B	SPECIAL SCREW	PWB-M.CASE(x2)	
265	LY35221-021A	MONI.COVER ASSY		E,F,G,H,J,K,M,N
265	LY35221-025A	MONI.COVER ASSY		A,B,C
265	LY35221-026A	MONI.COVER ASSY		D
265A	LY45165-002A	MARK(HDD)		
265B	LY45126-001B	JVC MARK		
265C	LY35612-001A	STICKER(MONI)		D
265D	LY35260-006A	STICKER		A,B,C
265D	LY35260-005A	STICKER		D,E,F,G,H,J,K,M,N
265E	LY45216-001A	PROTECT SHEET		
266	LY30031-0K6A	SPECIAL SCREW	MCOV-HINGE(x2)	
267	LY30031-0K7A	SPECIAL SCREW	MCOV-LBKT	
268	LY21478-013B	U.CASE ASSY		
268A	LY42350-001A	FOOT	(x3)	
269	QAS0429-001	SPEAKER		
270	LY21508-001A	BKT(UPPER) 1.3M		
271	LY30031-0K7A	SPECIAL SCREW	UC-BKT(U)(x4)	
272	LY35325-004B	TCOVER U 1.3 ASSY		
273	LY35224-005C	POWER SW ASSY		
274	LY30031-0L8B	SPECIAL SCREW	POW-TOP(U)(x2)	
275	LY30031-0L8B	SPECIAL SCREW	BKT(U-TOP)(x2)	
277	LY30031-060A	SPECIAL SCREW	PWB-UPPER(x3)	
278	LY30031-0K6A	SPECIAL SCREW	HING-BKT(U)(x2)	
279	LY30031-060A	SPECIAL SCREW	FPC-UPPER	
280	LY35236-001A	INTERRUPTER		
281	LY30031-0L8B	SPECIAL SCREW	INTER-TOP	
282	LY45215-001A	HEAT SHEET		
290	LY34189-027A	GASCKET	EMC	
291	LY35424-001A	EARTH PLATE OPE	EMC	
292	LY45252-001A	SPACER(MONITOR)		
△ 300	CU06E301A	C(BELT)UNITASSY	FOR JAPAN	
△ 301	LY35238-001C	HDD CASE ASSY		
301A	LY35022-201A	BKT(BOTTOM)		
301B	LY35241-001A	HOOK(G,B)		
301C	LY30031-0L6A	SPECIAL SCREW	BKT(BTM)	
301D	LY30031-0L6A	SPECIAL SCREW	HOOK	
302	LY21416-001B	GRIP BELT		
303	LY34997-001A	SHAFT(G,B)		
304	LY35240-001B	BUTTON(TRIG)		
305	LY35242-001B	HOLDER(SHAFT)		
306	LY30031-0L8B	SPECIAL SCREW	HOLDER(SH)(x2)	
351	J4M-105A	OP BLOCK ASSY	SET030-270	
351A	LY34842-001A	ZOOM MOTOR		
351B	LY34841-001A	FOCUS MOTOR		
351C	LY34843-004A	IRIS MOTOR UNIT		
351D	QYSPSGU1440ZA	TAP SCREW	M1.4 x 4mm(x7)	
352	LY45183-001A	OPTICAL LFP	SET010/011	
353	LY44653-001A	SHEET	SET010/011	
354	LY34936-001A-ML	BKT(HEAT SINK)M		JPN
355	LYH30684-001A	CCD BASE ASSY		
356	QYSPSGT1750RA	TAP SCREW	SET010/011 M1.7 x 5mm(x2)	
357	LY35323-001B-ML	BKT OP ASSY(1.3)		JPN
357A	LY35324-001B	BUSH(OP) 1.3M		
358	LY30031-011A	SPECIAL SCREW	(x3)	

PACKING AND ACCESSORY ASSEMBLY <M5>

△ Symbol No.	Part No.	Part Name	Description	Local
001	LY34452-001A	POLY BAG	DOCUMENT	G,H
001	LY34452-001B	POLY BAG	DOCUMENT	AB,C,D,E,F,J,K,M,N
002	LY35273-012A-S	CD ROM ASSY		
△ 003	LYT1617-001A	INST BOOK(EN)	(ENGLISH)	J
△ 003	LYT1617-002A	INST BOOK(GE)	(GERMAN)	A,B,K,M
△ 003	LYT1617-003A	INST BOOK(FR)	(FRENCH)	A,K
△ 003	LYT1617-004A	INST BOOK(DU)	(DUTCH)	A,K
△ 003	LYT1617-005A	INST BOOK(SP)	(SPANISH)	A,K
△ 003	LYT1617-006A	INST BOOK(IT)	(ITALIAN)	A,K
△ 003	LYT1617-007A	INST BOOK(DA)	(DANISH)	B,M

MODEL	MARK	MODEL	MARK	MODEL	MARK	MODEL	MARK
GZ-MG47EX	A	GZ-MG57AA	D	GZ-MG57AH	G	GZ-MG57EX	K
GZ-MG47EY	B	GZ-MG57AC	E	GZ-MG57AS	H	GZ-MG57EY	M
GZ-MG47EZ	C	GZ-MG57AG	F	GZ-MG57EK	J	GZ-MG57EZ	N

△ Symbol No.	Part No.	Part Name	Description	Local	△ Symbol No.	Part No.	Part Name	Description	Local
△ 003	LYT1617-008A	INST BOOK(FI)	(FINN)	B,M	△ 069	QMP210-190-JR	POWER CORD	BS PLUG 1.9m BLACK	J
△ 003	LYT1617-009A	INST BOOK(SW)	(SWEDISH)	B,M	△ 069	QMPS260-190-JR	POWER CORD	CCC 1.9m BLACK	E
△ 003	LYT1617-010A	INST BOOK(NO)	(NORWEGIAN)	B,M	△ 072	QMLP270-190-JR	POWER CORD	1.9m BLACK	G
△ 003	LYT1617-011A	INST BOOK(RU)	(RUSSIAN)	C,N	△ 073	QAM0001-001	CONVERSION PLUG		G
△ 003	LYT1617-012A	INST BOOK(CZ)	(CZECH)	C,N	MAIN BOARD ASSEMBLY <01>				
△ 003	LYT1617-013A	INST BOOK(PO)	(POLISH)	C,N	△ Symbol No.	Part No.	Part Name	Description	Local
△ 003	LYT1617-014A	INST BOOK(HU)	(HUNGARIAN)	C,N					
△ 003	LYT1617-015A	INST BOOK(PT)	(PORTUGUESE)	A,K	PW1	LYA10083-01A	MAIN BOARD ASSY		H
△ 003	LYT1618-001A	INST BOOK(EN)	(ENGLISH)	F,G,H	PW1	LYA10083-01C	MAIN BOARD ASSY		G
△ 003	LYT1618-002A	INST BOOK(CS)	(SIMPLIFIED CHINESE)	F,G	PW1	LYA10083-02D	MAIN BOARD ASSY		A,B,C,J,K,M,N
△ 003	LYT1618-003A	INST BOOK(RU)	(RUSSIAN)	H	PW1	LYA10083-03D	MAIN BOARD ASSY		D,E,F
△ 003	LYT1618-004A	INST BOOK(AR)	(ARABIC)	F,H					
△ 003	LYT1618-005A	INST BOOK(GE)	(GERMAN)	H					
△ 003	LYT1618-006A	INST BOOK(FR)	(FRENCH)	H	IC121	NAL0035-001X	SHOCK SENSOR		
△ 003	LYT1618-007A	INST BOOK(PE)	(PERSIAN)	H	IC171	KSM-2003SN2E	IR DETECT UNIT		
△ 003	LYT1630-001A	INST BOOK(CS)	(SIMPLIFIED CHINESE)	E	IC1001	MN102H60GJD	IC(MICRO C ROM)	MASK	
△ 003	LYT1640-001A	INST BOOK(EN)	(ENGLISH)	D	IC1001 or	MN102HF60GJD	IC(MICRO C ROM)	MP FLASH	
004	LYT1634-002A	INST BOOK(SOFT.EN)	(SOFT.ENGLISH)	D,H	IC1002	RS5C314-X	IC		
004	LYT1634-003A	INST BOOK(SOFT.CS)	(SOFT.SIMPLIFIED CHINESE)	E	IC1003	S-80827CNNB-G-W	IC		
004	LYT1634-004A	INST BOOK(SOFT.ENCASR)	(SOFT.ENGLISH SIMPLIFIED CHINESE ARABIC)	F	IC1004	SN74AHC1G08DC-X	IC		
004	LYT1634-005A	INST BOOK(SOFT.RUGEFR)	(SOFT.RUSSIAN GERMAN FRENCH)	H	IC1004 or	74AHC1G08GW-X	IC		
004	LYT1634-006A	INST BOOK(SOFT.AR.PE)	(SOFT.ARABIC PERSIAN)	H	IC1004 or	TC7SH08FU-X	IC(DIGITAL)		
004	LYT1634-007A	INST BOOK(SOFT.EN.CS)	(SOFT.ENGLISH SIMPLIFIED CHINESE)	G	IC1005	SN74AHC1G04DC-X	IC		
004	LYT1635-001A	INST BOOK(SOFT.EN)	(SOFT.ENGLISH)	J	IC1005 or	TC7SH04FU-X	IC(DIGITAL)		
004	LYT1635-002A	INST BOOK(SOFT.GEFRDU)	(SOFT.GERMAN FRENCH DUTCH)	A,K	IC1007	TC75S56FU-X	IC		
004	LYT1635-003A	INST BOOK(SOFT.SPITPT)	(SOFT.SPANISH ITALIAN PORTUGUESE)	A,K	IC1007 or	NJU7108F3-X	IC		
004	LYT1635-004A	INST BOOK(SOFT.GEDAFI)	(SOFT.GERMAN DANISH FINN)	B,M	IC2201	AK4660VQ	IC	48P0.5	
004	LYT1635-005A	INST BOOK(SOFT.SW.NO)	(SOFT.SWEDISH NORWEGIAN)	B,M	IC2201 or	AK4664VQ	IC		
004	LYT1635-006A	INST BOOK(SOFT.RU.CZ)	(SOFT.RUSSIAN CZECH)	C,N	IC3001	UPD61152F1-A03	IC(MICRO C ROM)		
004	LYT1635-007A	INST BOOK(SOFT.PO.HU)	(SOFT.POLISH HUNGARIAN)	C,N	IC3002	K4M28323LH-HN75	IC	128M 32BIT	
011	-----	WARRANTY CARD	BT-54030-1CAM	A,B,C,J,K,M,N	IC3201	JCP8075	IC		
012	LYT0194-001B	Q.CARD		J	IC3202	MB90099PFV139EX	IC(MICRO C ROM)		
013	YU30878	REGI. CARD		J	IC3204	R1100D251C-X	IC		
014	-----	WARRANTY CARD	BT-56016-1	D	IC3701	BH7612FV-X	IC		
015	-----	WARRANTY CARD	BT-56017-1	D	IC4001	SIP1280ISD-DVA4	IC		
016	BT-59021-7CAM	SVC CENTER LIST		E	IC4201	HD49340HNP-X	IC	CDS/AD	
018	BT-59020-1	HOLOGRAM SEAL		E	IC4301	SP32J55BF112D22	IC(MICRO C ROM)	4M FLASH	A,B,C,D,E,F,G,H,M,N
019	-----	WARRANTY CARD	BT-59019-1CAM	E	IC4301	SP32J55BF112D21	IC(MICRO C ROM)	4M FLASH	H
021	LY35385-003A	SHEET(ACC GUIDE)		A,B,C,J,K,M,N	IC4302	39VF1674CB3KF22	IC(MICRO C ROM)	2M FLASH	A,B,C,D,E,F,G,H,M,N
021	LY35385-004A	SHEET(ACC GUIDE)		D,E,F,G,H	IC4302	39VF1674CB3KF21	IC(MICRO C ROM)	2M FLASH	H
022	LYT1621-001A	SHEET(DVD.W.M)		J	IC4303	EDS2532JEBH-75T	IC	256M FBGA	
022	LYT1621-002A	SHEET(DVD.W)		A,K	IC4304	R1114N251B-X	IC	SREG2.5V	
023	LYT1621-003A	SHEET(DVD.M)		A,K	IC4501	JCY0209-2	IC	PREPROCESS	
022	LYT1621-004A	SHEET(DVD.W.M)		B,M	IC4501 or	JCY0209	IC	PREPROCESS	
022	LYT1621-005A	SHEET(DVD.W.M)		C,N	IC4502	M95320-WDW6-X	IC	EEPROM	
022	LYT1621-006A	SHEET(DVD.W.M)		D,E,F,G	IC4901	JCY0223-X	IC		
022	LYT1621-007A	SHEET(DVD.W)		H	IC4901 or	JCY0223A-X	IC		
023	LYT1621-008A	SHEET(DVD.M)		H	IC4902	MM1614GN-X	IC	MM1614GN	
025	LY35208-001A	SHEET(E-SHOP)		J	IC5501	CXD3643R	IC	TG/V VRV	
026	LYT1602-001A	SHEET(ATT.EN)		J	IC8301	JCY0225	IC	EPSON	
026	LYT1622-001A	SHEET(ATT.DVD)		A,K	IC8302	TPS2055AD-X	IC	USB POWER	
026	LYT1622-002A	SHEET(ATT.DVD)		B,M	IC8303	R1114N181B-X	IC	SREG 1.8V	
026	LYT1622-003A	SHEET(ATT.DVD)		C,N	IC8305	SN74LVC2G74T-X	IC		
026	LYT1622-004A	SHEET(ATT.DVD)		H	IC8305 or	TC7WZ74FU-X	IC		
026	LYT1622-005A	SHEET(ATT.DVD)		D,E,F,G	Q171	RPM-22PB	PHOTO TRANSISTOR		
027	LYT1607-001A	SHEET(ATT.)		D	Q201	2SA1577/QR/-X	TRANSISTOR		
030	LY35616-001A	SHEET(ESS)		D	Q201 or	BC807-25W-X	TRANSISTOR		
051	LY30023-034A	POLY BAG	FOR JVM		Q202	UMX1N-W	PAIR TRANSISTOR		
052	LY35251-017A	PACKING CASE	PRODUCTION	A,B,C,D,F,H,J,K,M,N	Q202 or	PUMX1-W	PAIR TRANSISTOR		
052	LY35251-020A	PACKING CASE	PRODUCTION	E,G	Q202 or	BC847S-X	PAIR TRANSISTOR		
053	LY21420-001A	CUSHION			Q202 or	XP4501-W	TRANSISTOR		
054	QPA02503505P	POLY BAG	ACC. 25cm x 35cm	G,H	Q421	UMZ1N-W	PAIR TRANSISTOR	LIGHT LED	
054	QPA02503505PB	POLY BAG	ACC. 25cm x 35cm	A,B,C,D,E,F,J,K,M,N	Q421 or	PUMZ1-W	PAIR TRANSISTOR	LIGHT LED	
055	QAM0508-001	A/V CABLE	FILTER		Q421 or	XP4601-W	TRANSISTOR	LIGHT LED	
057	QAM0719-001	USB CABLE			Q422	DTC143XE-X	DIGI TRANSISTOR	LIGHT LED	
△ 060	LY21104-001E	AC ADAPTER	AP-V14E	D,F,G,J	Q422 or	UN921FJ-X	DIGI TRANSISTOR	LIGHT LED	
△ 060	LY21104-002C	AC ADAPTER	AP-V14A	H	Q422 or	KRC419E-X	DIGI TRANSISTOR	LIGHT LED	
△ 060	LY21104-003D	AC ADAPTER	AP-V14AC	E	Q422 or	RT1N432U-X	DIGI TRANSISTOR	LIGHT LED	
△ 060	LY21343-001B	AC ADAPTER	AP-V17E	A,B,C,J,K,M,N	Q1001	DTC124EE-X	DIGI TRANSISTOR		
061	QQR0917-004	CORE FILTER	DC		Q1002	2SC4617/RS/-X	TRANSISTOR		
062	LY21524-002C	REMOTE CTL UNIT	RM-V750US		Q1002 or	2SD2216J/RS/-X	TRANSISTOR		
△ 063	LY34647-002B	BATTERY PACK	BN-VF707U		Q1002	BC847BT-X	TRANSISTOR		
064	LY21397-002A	SHOULDER STRAP							
065	LY34811-001B-ML	HOOD CAP ASSY		G,H					
065	LY34811-001C	HOOD CAP ASSY		A,C,D,F,J,K,M,N					
068	LY45161-002A-ML	LABEL		JPN					
△ 069	QMPH040-190-JR	POWER CORD	AS/INZS 1.9m BLACK	D					
△ 069	QMLP270-190-JR	POWER CORD	CEE 1.9m BLACK	F,H					

MODEL	MARK	MODEL	MARK	MODEL	MARK	MODEL	MARK
GZ-MG47EX	A	GZ-MG57AA	D	GZ-MG57AH	G	GZ-MG57EX	K
GZ-MG47EY	B	GZ-MG57AC	E	GZ-MG57AS	H	GZ-MG57EY	M
GZ-MG47EZ	C	GZ-MG57AG	F	GZ-MG57EK	J	GZ-MG57EZ	N

△ Symbol No.	Part No.	Part Name	Description	Local	△ Symbol No.	Part No.	Part Name	Description	Local
Q1003	DTA124EE-X	DIGI TRANSISTOR			C2403	NBE20JM-106X	TA E CAPACITOR	10uF 6.3V M	
Q1004	2SC4617/RS/-X	TRANSISTOR			C2404	NBE20JM-106X	TA E CAPACITOR	10uF 6.3V M	
Q1004	or 2SD2216J/RS/-X	TRANSISTOR			C2405	NCBA1AK-104W	C CAPACITOR	0.1uF 10V K	
Q1004	or BC847BT-X	TRANSISTOR			C2406	NBE20JM-106X	TA E CAPACITOR	10uF 6.3V M	
Q1005	2SJ347-X	MOS FET			C2603	NCBA1CK-223W	C CAPACITOR	0.022uF 16V K	
Q1006	DTA124EE-X	DIGI TRANSISTOR			C2604	NCBA1CK-223W	C CAPACITOR	0.022uF 16V K	
Q2202	UMX18N-W	PAIR TRANSISTOR			C2605	NCBA1EK-472W	C CAPACITOR	4700pF 25V K	
Q2401	2SC4617/QR/-X	TRANSISTOR			C2606	NCBA1EK-472W	C CAPACITOR	4700pF 25V K	
Q2401	or BC847BT-X	TRANSISTOR			C2611	NCB30JK-105X	C CAPACITOR	1uF 6.3V K	
Q2403	2SC4617/QR/-X	TRANSISTOR			C2612	NCB30JK-105X	C CAPACITOR	1uF 6.3V K	
Q2403	or BC847BT-X	TRANSISTOR			C2613	NCB30JK-105X	C CAPACITOR	1uF 6.3V K	
Q3701	UMZ1N-W	PAIR TRANSISTOR			C2623	NDCA1HJ-100W	C CAPACITOR	10pF 50V J	
Q3701	or PUMZ1-W	PAIR TRANSISTOR			C2624	NDCA1HJ-100W	C CAPACITOR	10pF 50V J	
Q3701	or XP4601-W	TRANSISTOR			C2655	NCBA1AK-104W	C CAPACITOR	0.1uF 10V K	
Q4001	2SC4617/RS/-X	TRANSISTOR			C2656	NCBA1AK-104W	C CAPACITOR	0.1uF 10V K	
Q4001	or BC847BT-X	TRANSISTOR			C3004	NBE20JM-106X	TA E CAPACITOR	10uF 6.3V M	
Q4001	or 2SD2216J/RS/-X	TRANSISTOR			C3005	NCBA1AK-104W	C CAPACITOR	0.1uF 10V K	
Q7801	UMX1N-W	PAIR TRANSISTOR			C3006	NCBA1CK-103W	C CAPACITOR	0.01uF 16V K	
Q7801	or BC847S-X	PAIR TRANSISTOR			C3007	NCBA1CK-103W	C CAPACITOR	0.01uF 16V K	
Q7801	or PUMX1-W	PAIR TRANSISTOR			C3008	NCBA1AK-104W	C CAPACITOR	0.1uF 10V K	
Q7801	or XP4501-W	TRANSISTOR			C3009	NCBA1AK-104W	C CAPACITOR	0.1uF 10V K	
Q7802	UMX1N-W	PAIR TRANSISTOR			C3010	NCBA1AK-104W	C CAPACITOR	0.1uF 10V K	
Q7802	or BC847S-X	PAIR TRANSISTOR			C3011	NCBA1CK-103W	C CAPACITOR	0.01uF 16V K	
Q7802	or PUMX1-W	PAIR TRANSISTOR			C3012	NCBA1AK-104W	C CAPACITOR	0.1uF 10V K	
Q7802	or XP4501-W	TRANSISTOR			C3013	NCBA1CK-103W	C CAPACITOR	0.01uF 16V K	
Q7803	UMX1N-W	PAIR TRANSISTOR			C3014	NCBA1AK-104W	C CAPACITOR	0.1uF 10V K	
Q7803	or BC847S-X	PAIR TRANSISTOR			C3015	NCBA1CK-103W	C CAPACITOR	0.01uF 16V K	
Q7803	or PUMX1-W	PAIR TRANSISTOR			C3016	NCBA1AK-104W	C CAPACITOR	0.1uF 10V K	
Q7803	or XP4501-W	TRANSISTOR			C3019	NCB20JM-475X	C CAPACITOR	4.7uF 6.3V M	
Q8303	EMD2-W	PAIR TRANSISTOR			C3020	NCBA1CK-103W	C CAPACITOR	0.01uF 16V K	
△ D191	RB715W-X	SB DIODE			C3021	NCBA1AK-104W	C CAPACITOR	0.1uF 10V K	
D421	NSPW500CS/C0TU/	LED	LIGHT LED		C3022	NCBA1HK-102W	C CAPACITOR	1000pF 50V K	
D1001	MA133-X	SI DIODE			C3023	NCBA1AK-104W	C CAPACITOR	0.1uF 10V K	
D1002	1SS376-X	SI DIODE			C3024	NCBA1CK-103W	C CAPACITOR	0.01uF 16V K	
D3701	UMZ6.8EN-W	Z DIODE			C3201	NCBA1CK-103W	C CAPACITOR	0.01uF 16V K	
D4003	1SS376-X	SI DIODE			C3202	NCBA1CK-103W	C CAPACITOR	0.01uF 16V K	
D5501	1SS355-X	SI DIODE			C3203	NCBA1CK-103W	C CAPACITOR	0.01uF 16V K	
D5501	or MA111-X	SI DIODE			C3204	NCBA1CK-103W	C CAPACITOR	0.01uF 16V K	
D5501	or 1SS352-X	SI DIODE			C3205	NCBA1AK-104W	C CAPACITOR	0.1uF 10V K	
					C3206	NCBA1AK-104W	C CAPACITOR	0.1uF 10V K	
					C3207	NCBA1CK-103W	C CAPACITOR	0.01uF 16V K	
C111	NBE40JM-476X	TA E CAPACITOR	47uF 6.3V M		C3208	NCB30JK-105X	C CAPACITOR	1uF 6.3V K	
C122	NCBA1AK-104W	C CAPACITOR	0.1uF 10V K		C3209	NCBA1AK-104W	C CAPACITOR	0.1uF 10V K	
C141	NBE20JM-106X	TA E CAPACITOR	10uF 6.3V M		C3210	NCBA1AK-104W	C CAPACITOR	0.1uF 10V K	
C142	NCBA1AK-104W	C CAPACITOR	0.1uF 10V K		C3211	NCB30JK-105X	C CAPACITOR	1uF 6.3V K	
C171	NBE20JM-106X	TA E CAPACITOR	10uF 6.3V M		C3212	NRSA6AJ-0R0W	MG RESISTOR	0Ω 1/16W J	
C172	NBE20JM-106X	TA E CAPACITOR	10uF 6.3V M		C3216	NCBA1AK-104W	C CAPACITOR	0.1uF 10V K	
C201	NCB21CK-105X	C CAPACITOR	1uF 16V K		C3217	NCBA1AK-104W	C CAPACITOR	0.1uF 10V K	
C202	NCB21CK-105X	C CAPACITOR	1uF 16V K		C3218	NCBA1CK-103W	C CAPACITOR	0.01uF 16V K	
C1001	NCBA1AK-104W	C CAPACITOR	0.1uF 10V K		C3219	NCBA1AK-104W	C CAPACITOR	0.1uF 10V K	
C1004	NCBA1AK-104W	C CAPACITOR	0.1uF 10V K		C3220	NCB20JM-475X	C CAPACITOR	4.7uF 6.3V M	
C1005	NBE20JM-106X	TA E CAPACITOR	10uF 6.3V M		C3224	NCB30JK-105X	C CAPACITOR	1uF 6.3V K	
C1006	NDCA1HJ-5R0W	C CAPACITOR	5pF 50V J		C3225	NCB30JK-105X	C CAPACITOR	1uF 6.3V K	
C1008	NCBA1CK-103W	C CAPACITOR	0.01uF 16V K		C3227	NCB30JK-105X	C CAPACITOR	1uF 6.3V K	
C1013	NCBA1CK-103W	C CAPACITOR	0.01uF 16V K		C3701	NBE20JM-106X	TA E CAPACITOR	10uF 6.3V M	
C1014	NCBA1CK-103W	C CAPACITOR	0.01uF 16V K		C3702	NCBA1AK-104W	C CAPACITOR	0.1uF 10V K	
C1015	NCBA1CK-103W	C CAPACITOR	0.01uF 16V K		C3703	NCB30JK-105X	C CAPACITOR	1uF 6.3V K	
C1016	NCBA1CK-103W	C CAPACITOR	0.01uF 16V K		C3704	NCBA1CK-103W	C CAPACITOR	0.01uF 16V K	
C1017	NCBA1CK-103W	C CAPACITOR	0.01uF 16V K		C3705	NCBA1CK-103W	C CAPACITOR	0.01uF 16V K	
C1018	NCBA1CK-103W	C CAPACITOR	0.01uF 16V K		C4002	NBE20JM-106X	TA E CAPACITOR	10uF 6.3V M	
C1020	NCBA1CK-103W	C CAPACITOR	0.01uF 16V K		C4003	NBE20JM-106X	TA E CAPACITOR	10uF 6.3V M	
C1025	NCBA1AK-104W	C CAPACITOR	0.1uF 10V K		C4004	NBE20GM-476X	TA E CAPACITOR	47uF 4V M	
C1026	NCBA1AK-104W	C CAPACITOR	0.1uF 10V K		C4010	NCBA1AK-104W	C CAPACITOR	0.1uF 10V K	
C1031	NCF31AZ-105X	C CAPACITOR	1uF 10V Z		C4011	NCBA1HK-102W	C CAPACITOR	1000pF 50V K	
C1034	NCBA1CK-103W	C CAPACITOR	0.01uF 16V K		C4012	NCBA1CK-103W	C CAPACITOR	0.01uF 16V K	
C1043	NCBA1CK-103W	C CAPACITOR	0.01uF 16V K		C4013	NCBA1AK-104W	C CAPACITOR	0.1uF 10V K	
C1044	NCBA1CK-103W	C CAPACITOR	0.01uF 16V K		C4014	NCBA1HK-102W	C CAPACITOR	1000pF 50V K	
C1045	NCBA1CK-103W	C CAPACITOR	0.01uF 16V K		C4015	NCBA1CK-103W	C CAPACITOR	0.01uF 16V K	
C1046	NCBA1AK-104W	C CAPACITOR	0.1uF 10V K		C4016	NCBA1AK-104W	C CAPACITOR	0.1uF 10V K	
C2202	NCB30JK-105X	C CAPACITOR	1uF 6.3V K		C4017	NCBA1CK-103W	C CAPACITOR	0.01uF 16V K	
C2203	NCB31HK-103X	C CAPACITOR	0.01uF 50V K		C4018	NCBA1AK-104W	C CAPACITOR	0.1uF 10V K	
C2204	NCB30JK-105X	C CAPACITOR	1uF 6.3V K		C4019	NCBA1AK-104W	C CAPACITOR	0.1uF 10V K	
C2209	NCB30JK-105X	C CAPACITOR	1uF 6.3V K		C4020	NCBA1HK-102W	C CAPACITOR	1000pF 50V K	
C2210	NCB30JK-105X	C CAPACITOR	1uF 6.3V K		C4021	NCBA1CK-103W	C CAPACITOR	0.01uF 16V K	
C2223	NCBA1AK-104W	C CAPACITOR	0.1uF 10V K		C4022	NCBA1AK-104W	C CAPACITOR	0.1uF 10V K	
C2224	NCBA1AK-104W	C CAPACITOR	0.1uF 10V K		C4023	NCBA1HK-102W	C CAPACITOR	1000pF 50V K	
C2401	NBE20JM-106X	TA E CAPACITOR	10uF 6.3V M		C4024	NCBA1CK-103W	C CAPACITOR	0.01uF 16V K	
C2402	NBE20JM-106X	TA E CAPACITOR	10uF 6.3V M		C4026	NCBA1CK-103W	C CAPACITOR	0.01uF 16V K	

MODEL	MARK	MODEL	MARK	MODEL	MARK	MODEL	MARK
GZ-MG47EX	A	GZ-MG57AA	D	GZ-MG57AH	G	GZ-MG57EX	K
GZ-MG47EY	B	GZ-MG57AC	E	GZ-MG57AS	H	GZ-MG57EY	M
GZ-MG47EZ	C	GZ-MG57AG	F	GZ-MG57EK	J	GZ-MG57EZ	N

△ Symbol No.	Part No.	Part Name	Description	Local	△ Symbol No.	Part No.	Part Name	Description	Local
C4027	NCBA1AK-104W	C CAPACITOR	0.1uF 10V K		C5509	NCBA1AK-104W	C CAPACITOR	0.1uF 10V K	
C4032	NCBA1CK-103W	C CAPACITOR	0.01uF 16V K		C5513	NBE20JM-226X	TA E CAPACITOR	22uF 6.3V M	
C4034	NCBA1AK-104W	C CAPACITOR	0.1uF 10V K		C5515	NBE20GM-476X	TA E CAPACITOR	47uF 4V M	
C4201	NCBA1AK-104W	C CAPACITOR	0.1uF 10V K		C5517	NBP21CM-106X	TA E CAPACITOR	10uF 16V M	
C4202	NCB21CK-105X	C CAPACITOR	1uF 16V K		C5521	NBZ0003-475X	TA E CAPACITOR	4.7uF 20V M	
C4203	NCBA1CK-123W	C CAPACITOR	0.012uF 16V K		C5524	NCBA1AK-104W	C CAPACITOR	0.1uF 10V K	
C4205	NCBA1AK-104W	C CAPACITOR	0.1uF 10V K		C7802	NCB21CK-105X	C CAPACITOR	1uF 16V K	
C4206	NCJA0JK-105W-A	C CAPACITOR	1uF 6.3V K		C7803	NCB30JK-105X	C CAPACITOR	1uF 6.3V K	
C4207	NCBA1AK-104W	C CAPACITOR	0.1uF 10V K		C7804	NCB21CK-105X	C CAPACITOR	1uF 16V K	
C4208	NCJA0JK-105W-A	C CAPACITOR	1uF 6.3V K		C7805	NCB21CK-105X	C CAPACITOR	1uF 16V K	
C4209	NCJA0JK-105W-A	C CAPACITOR	1uF 6.3V K		C7806	NCB21CK-105X	C CAPACITOR	1uF 16V K	
C4210	NCJA0JK-105W-A	C CAPACITOR	1uF 6.3V K		C7852	NCBA1CK-103W	C CAPACITOR	0.01uF 16V K	
C4211	NCBA1AK-104W	C CAPACITOR	0.1uF 10V K		C8301	NCBA1AK-104W	C CAPACITOR	0.1uF 10V K	
C4212	NCBA1AK-104W	C CAPACITOR	0.1uF 10V K		C8302	NCBA1AK-104W	C CAPACITOR	0.1uF 10V K	
C4213	NCBA1AK-104W	C CAPACITOR	0.1uF 10V K		C8303	NCBA1AK-104W	C CAPACITOR	0.1uF 10V K	
C4215	NBE20GM-476X	TA E CAPACITOR	47uF 4V M		C8304	NCBA1AK-104W	C CAPACITOR	0.1uF 10V K	
C4301	NCB20JM-475X	C CAPACITOR	4.7uF 6.3V M		C8305	NCBA1AK-104W	C CAPACITOR	0.1uF 10V K	
C4302	NCBA1AK-104W	C CAPACITOR	0.1uF 10V K		C8306	NCBA1AK-104W	C CAPACITOR	0.1uF 10V K	
C4303	NCBA1AK-104W	C CAPACITOR	0.1uF 10V K		C8307	NCBA1AK-104W	C CAPACITOR	0.1uF 10V K	
C4305	NCB20JM-475X	C CAPACITOR	4.7uF 6.3V M		C8308	NCBA1AK-104W	C CAPACITOR	0.1uF 10V K	
C4306	NCBA1HK-102W	C CAPACITOR	1000pF 50V K		C8309	NCBA1AK-104W	C CAPACITOR	0.1uF 10V K	
C4307	NCBA1CK-103W	C CAPACITOR	0.01uF 16V K		C8310	NCBA1AK-104W	C CAPACITOR	0.1uF 10V K	
C4308	NCBA1AK-104W	C CAPACITOR	0.1uF 10V K		C8312	NCBA1AK-104W	C CAPACITOR	0.1uF 10V K	
C4309	NCBA1CK-103W	C CAPACITOR	0.01uF 16V K		C8314	NCBA1AK-104W	C CAPACITOR	0.1uF 10V K	
C4310	NCBA1AK-104W	C CAPACITOR	0.1uF 10V K		C8316	NCBA1AK-104W	C CAPACITOR	0.1uF 10V K	
C4351	NCB30JK-105X	C CAPACITOR	1uF 6.3V K		C8318	NCBA1AK-104W	C CAPACITOR	0.1uF 10V K	
C4352	NCB30JK-105X	C CAPACITOR	1uF 6.3V K		C8322	NCBA1AK-104W	C CAPACITOR	0.1uF 10V K	
C4501	NCBA1AK-104W	C CAPACITOR	0.1uF 10V K		C8323	NCBA1AK-104W	C CAPACITOR	0.1uF 10V K	
C4503	NCBA1CK-103W	C CAPACITOR	0.01uF 16V K		C8324	NCBA1AK-104W	C CAPACITOR	0.1uF 10V K	
C4504	NCBA1AK-104W	C CAPACITOR	0.1uF 10V K		C8325	NCBA1AK-104W	C CAPACITOR	0.1uF 10V K	
C4505	NCB20JM-475X	C CAPACITOR	4.7uF 6.3V M		C8327	NCBA1AK-104W	C CAPACITOR	0.1uF 10V K	
C4506	NCBA1AK-104W	C CAPACITOR	0.1uF 10V K		C8329	NCB31AK-105X	C CAPACITOR	1uF 10V K	
C4507	NCBA1AK-104W	C CAPACITOR	0.1uF 10V K		C8330	NBE41AM-476X	TA E CAPACITOR	47uF 10V M	
C4510	NCBA1AK-104W	C CAPACITOR	0.1uF 10V K		C8331	NCBA1AK-104W	C CAPACITOR	0.1uF 10V K	
C4511	NCB20JM-475X	C CAPACITOR	4.7uF 6.3V M		C8333	NCB31AK-105X	C CAPACITOR	1uF 10V K	
C4513	NCBA1CK-103W	C CAPACITOR	0.01uF 16V K		C8334	NCB30JK-105X	C CAPACITOR	1uF 6.3V K	
C4514	NCBA1CK-103W	C CAPACITOR	0.01uF 16V K		C8335	NCB30JK-105X	C CAPACITOR	1uF 6.3V K	
C4517	NCBA1CK-103W	C CAPACITOR	0.01uF 16V K		C8337	NCB30JK-105X	C CAPACITOR	1uF 6.3V K	
C4518	NCBA1CK-103W	C CAPACITOR	0.01uF 16V K		C8339	NCB31AK-105X	C CAPACITOR	1uF 10V K	
C4519	NCBA1CK-103W	C CAPACITOR	0.01uF 16V K		C8340	NCBA1AK-104W	C CAPACITOR	0.1uF 10V K	
C4521	NCB30JK-105X	C CAPACITOR	1uF 6.3V K		R101	NRSA63J-0R0X	MG RESISTOR	0Ω 1/16W J	
C4522	NCBA1AK-104W	C CAPACITOR	0.1uF 10V K		R141	NRSA6AJ-473W	MG RESISTOR	47kΩ 1/16W J	
C4523	NCBA1AK-104W	C CAPACITOR	0.1uF 10V K		R142	NRSA6AJ-473W	MG RESISTOR	47kΩ 1/16W J	
C4524	NCB20JM-475X	C CAPACITOR	4.7uF 6.3V M		R143	NRSA6AJ-473W	MG RESISTOR	47kΩ 1/16W J	
C4525	NCB20JM-475X	C CAPACITOR	4.7uF 6.3V M		R144	NRSA6AJ-473W	MG RESISTOR	47kΩ 1/16W J	
C4527	NCBA1AK-104W	C CAPACITOR	0.1uF 10V K		R145	NRSA6AJ-473W	MG RESISTOR	47kΩ 1/16W J	
C4528	NCBA1AK-104W	C CAPACITOR	0.1uF 10V K		R146	NRSA6AJ-473W	MG RESISTOR	47kΩ 1/16W J	
C4529	NCB20JM-475X	C CAPACITOR	4.7uF 6.3V M		R147	NRSA6AJ-103W	MG RESISTOR	10kΩ 1/16W J	
C4532	NCBA1AK-104W	C CAPACITOR	0.1uF 10V K		R148	NRSA6AJ-220W	MG RESISTOR	22Ω 1/16W J	
C4533	NCBA1AK-104W	C CAPACITOR	0.1uF 10V K		R149	NRSA6AJ-220W	MG RESISTOR	22Ω 1/16W J	
C4534	NCBA1AK-104W	C CAPACITOR	0.1uF 10V K		R150	NRSA6AJ-220W	MG RESISTOR	22Ω 1/16W J	
C4902	NBE20JM-106X	TA E CAPACITOR	10uF 6.3V M		R151	NRSA6AJ-220W	MG RESISTOR	22Ω 1/16W J	
C4903	NBE21AM-106X	TA E CAPACITOR	10uF 10V M		R167	NRSA6AJ-0R0W	MG RESISTOR	0Ω 1/16W J	
C4905	NCBA1AK-104W	C CAPACITOR	0.1uF 10V K		R169	NRSA63J-0R0X	MG RESISTOR	0Ω 1/16W J	
C4906	NCBA1AK-104W	C CAPACITOR	0.1uF 10V K		R170	NRSA63J-0R0X	MG RESISTOR	0Ω 1/16W J	
C4907	NCBA1AK-104W	C CAPACITOR	0.1uF 10V K		R171	NRSA6AJ-0R0W	MG RESISTOR	0Ω 1/16W J	
C4908	NCBA1AK-104W	C CAPACITOR	0.1uF 10V K		R172	NRSA6AJ-332W	MG RESISTOR	3.3kΩ 1/16W J	
C4909	NCBA1CK-103W	C CAPACITOR	0.01uF 16V K		△ R191	NRSA63J-102X	MG RESISTOR	1kΩ 1/16W J	
C4911	NDCA1HJ-101W	C CAPACITOR	100pF 50V J		R196	NRSA6AJ-0R0W	MG RESISTOR	0Ω 1/16W J	
C4912	NCBA1AK-104W	C CAPACITOR	0.1uF 10V K		R197	NRSA6AJ-0R0W	MG RESISTOR	0Ω 1/16W J	
C4913	NCBA1AK-104W	C CAPACITOR	0.1uF 10V K		R198	NRSA6AJ-0R0W	MG RESISTOR	0Ω 1/16W J	
C4915	NDCA1HJ-121W	C CAPACITOR	120pF 50V J		R202	NRSA6AJ-273W	MG RESISTOR	27kΩ 1/16W J	
C4916	NCBA1AK-104W	C CAPACITOR	0.1uF 10V K		R203	NRSA6AJ-822W	MG RESISTOR	8.2kΩ 1/16W J	
C4921	NCB31CK-224X	C CAPACITOR	0.22uF 16V K		R204	NRSA6AD-182W	MG RESISTOR	1.8kΩ 1/16W D	
C4922	NCBA1AK-104W	C CAPACITOR	0.1uF 10V K		R205	NRSA6AD-243W	MG RESISTOR	24kΩ 1/16W D	
C4923	NCB30JK-474X	C CAPACITOR	0.47uF 6.3V K		R421	NRSA6AJ-152W	MG RESISTOR	1.5kΩ 1/16W J	
C4924	NCB30JK-105X	C CAPACITOR	1uF 6.3V K		R422	NRSA6AJ-182W	MG RESISTOR	1.8kΩ 1/16W J	
C4925	NCB30JK-105X	C CAPACITOR	1uF 6.3V K		R423	NRSA6AJ-391W	MG RESISTOR	390Ω 1/16W J	
C4926	NCBA1AK-104W	C CAPACITOR	0.1uF 10V K		R424	NRSA6AJ-220W	MG RESISTOR	22Ω 1/16W J	
C4927	NCBA1CK-103W	C CAPACITOR	0.01uF 16V K		R1001	NRSA6AJ-104W	MG RESISTOR	100kΩ 1/16W J	
C4932	NBE21AM-106X	TA E CAPACITOR	10uF 10V M		R1003	NRSA6AJ-222W	MG RESISTOR	2.2kΩ 1/16W J	
C4935	NBE21AM-106X	TA E CAPACITOR	10uF 10V M		R1004	NRSA6AJ-222W	MG RESISTOR	2.2kΩ 1/16W J	
C4936	NCBA1AK-104W	C CAPACITOR	0.1uF 10V K		R1005	NRSA6AJ-222W	MG RESISTOR	2.2kΩ 1/16W J	
C5503	NCBA1AK-104W	C CAPACITOR	0.1uF 10V K		R1006	NRSA6AJ-472W	MG RESISTOR	4.7kΩ 1/16W J	
C5504	NCBA1AK-104W	C CAPACITOR	0.1uF 10V K		R1007	NRSA6AJ-472W	MG RESISTOR	4.7kΩ 1/16W J	
C5505	NCBA1AK-104W	C CAPACITOR	0.1uF 10V K		R1008	NRSA6AJ-102W	MG RESISTOR	1kΩ 1/16W J	
C5507	NCB31EK-104X	C CAPACITOR	0.1uF 25V K		R1009	NRSA6AJ-681W	MG RESISTOR	680Ω 1/16W J	
C5508	NBP21VM-105X	TA E CAPACITOR	1uF 35V M						

MODEL	MARK	MODEL	MARK	MODEL	MARK	MODEL	MARK
GZ-MG47EX	A	GZ-MG57AA	D	GZ-MG57AH	G	GZ-MG57EX	K
GZ-MG47EY	B	GZ-MG57AC	E	GZ-MG57AS	H	GZ-MG57EY	M
GZ-MG47EZ	C	GZ-MG57AG	F	GZ-MG57EK	J	GZ-MG57EZ	N

△ Symbol No.	Part No.	Part Name	Description	Local	△ Symbol No.	Part No.	Part Name	Description	Local
R1010	NRSA6AJ-221W	MG RESISTOR	220Ω 1/16W J		R3009	NRSA6AJ-103W	MG RESISTOR	10kΩ 1/16W J	
R1016	NRSA6AJ-222W	MG RESISTOR	2.2kΩ 1/16W J		R3012	NRSA6AJ-103W	MG RESISTOR	10kΩ 1/16W J	
R1017	NRSA6AJ-102W	MG RESISTOR	1kΩ 1/16W J		R3013	NRSA6AJ-271W	MG RESISTOR	270Ω 1/16W J	
R1018	NRSA6AJ-102W	MG RESISTOR	1kΩ 1/16W J		R3014	NRSA6AJ-0R0W	MG RESISTOR	0Ω 1/16W J	
R1019	NRSA6AJ-102W	MG RESISTOR	1kΩ 1/16W J		R3016	NRSA6AJ-103W	MG RESISTOR	10kΩ 1/16W J	
R1020	NRSA6AJ-102W	MG RESISTOR	1kΩ 1/16W J		R3017	NRSA6AJ-103W	MG RESISTOR	10kΩ 1/16W J	
R1022	NRSA6AJ-102W	MG RESISTOR	1kΩ 1/16W J		R3022	NRSA6AJ-103W	MG RESISTOR	10kΩ 1/16W J	
R1023	NRSA6AJ-102W	MG RESISTOR	1kΩ 1/16W J		R3023	NRSA6AJ-103W	MG RESISTOR	10kΩ 1/16W J	
R1024	NRSA6AJ-102W	MG RESISTOR	1kΩ 1/16W J		R3024	NRSA6AJ-103W	MG RESISTOR	10kΩ 1/16W J	
R1025	NRSA6AJ-102W	MG RESISTOR	1kΩ 1/16W J		R3025	NRSA6AJ-103W	MG RESISTOR	10kΩ 1/16W J	
R1028	NRSA6AJ-102W	MG RESISTOR	1kΩ 1/16W J		R3026	NRSA6AJ-103W	MG RESISTOR	10kΩ 1/16W J	
R1029	NRSA6AJ-102W	MG RESISTOR	1kΩ 1/16W J		R3027	NRSA6AJ-103W	MG RESISTOR	10kΩ 1/16W J	
R1030	NRSA6AJ-102W	MG RESISTOR	1kΩ 1/16W J		R3028	NRSA6AJ-103W	MG RESISTOR	10kΩ 1/16W J	
R1031	NRSA6AJ-102W	MG RESISTOR	1kΩ 1/16W J		R3029	NRSA6AJ-472W	MG RESISTOR	4.7kΩ 1/16W J	
R1037	NRSA6AJ-102W	MG RESISTOR	1kΩ 1/16W J		R3030	NRSA6AJ-472W	MG RESISTOR	4.7kΩ 1/16W J	
R1043	NRSA6AJ-104W	MG RESISTOR	100kΩ 1/16W J		R3031	NRSA6AJ-472W	MG RESISTOR	4.7kΩ 1/16W J	
R1045	NRSA6AJ-102W	MG RESISTOR	1kΩ 1/16W J		R3032	NRSA6AJ-473W	MG RESISTOR	47kΩ 1/16W J	
R1051	NRSA6AJ-272W	MG RESISTOR	2.7kΩ 1/16W J		R3033	NRSA6AJ-472W	MG RESISTOR	4.7kΩ 1/16W J	
R1052	NRSA6AJ-183W	MG RESISTOR	18kΩ 1/16W J		R3034	NRSA6AJ-472W	MG RESISTOR	4.7kΩ 1/16W J	
R1053	NRSA6AJ-154W	MG RESISTOR	150kΩ 1/16W J		R3035	NRSA6AJ-103W	MG RESISTOR	10kΩ 1/16W J	
R1054	NRSA6AJ-473W	MG RESISTOR	47kΩ 1/16W J		R3036	NRSA6AJ-103W	MG RESISTOR	10kΩ 1/16W J	
R1055	NRSA6AJ-103W	MG RESISTOR	10kΩ 1/16W J		R3039	NRSA6AJ-0R0W	MG RESISTOR	0Ω 1/16W J	
R1056	NRSA6AJ-472W	MG RESISTOR	4.7kΩ 1/16W J		R3040	NRSA6AJ-271W	MG RESISTOR	270Ω 1/16W J	
R1057	NRSA6AJ-104W	MG RESISTOR	100kΩ 1/16W J		R3041	NRSA6AJ-0R0W	MG RESISTOR	0Ω 1/16W J	
R1058	NRSA6AJ-104W	MG RESISTOR	100kΩ 1/16W J		R3042	NRSA6AJ-100W	MG RESISTOR	10Ω 1/16W J	
R1059	NRSA6AJ-104W	MG RESISTOR	100kΩ 1/16W J		R3043	NRSA6AJ-100W	MG RESISTOR	10Ω 1/16W J	
R1060	NRSA6AJ-104W	MG RESISTOR	100kΩ 1/16W J		R3044	NRSA6AJ-100W	MG RESISTOR	10Ω 1/16W J	
R1061	NRSA6AJ-104W	MG RESISTOR	100kΩ 1/16W J		R3045	NRSA6AJ-100W	MG RESISTOR	10Ω 1/16W J	
R1062	NRSA6AJ-104W	MG RESISTOR	100kΩ 1/16W J		R3046	NRSA6AJ-0R0W	MG RESISTOR	0Ω 1/16W J	
R1063	NRSA6AJ-473W	MG RESISTOR	47kΩ 1/16W J		R3208	NRSA6AJ-101W	MG RESISTOR	100Ω 1/16W J	
R1064	NRSA6AJ-102W	MG RESISTOR	1kΩ 1/16W J		R3212	NRSA6AD-183W	MG RESISTOR	18kΩ 1/16W D	
R1065	NRSA6AJ-102W	MG RESISTOR	1kΩ 1/16W J		R3213	NRSA6AD-123W	MG RESISTOR	12kΩ 1/16W D	
R1066	NRSA6AJ-102W	MG RESISTOR	1kΩ 1/16W J		R3214	NRSA6AD-272W	MG RESISTOR	2.7kΩ 1/16W D	
R1068	NRSA6AJ-104W	MG RESISTOR	100kΩ 1/16W J		R3215	NRSA6AD-272W	MG RESISTOR	2.7kΩ 1/16W D	
R1069	NRSA6AJ-104W	MG RESISTOR	100kΩ 1/16W J		R3216	NRSA6AD-821W	MG RESISTOR	820Ω 1/16W D	
R1070	NRSA6AJ-104W	MG RESISTOR	100kΩ 1/16W J		R3217	NRSA6AD-821W	MG RESISTOR	820Ω 1/16W D	
R1071	NRSA6AJ-104W	MG RESISTOR	100kΩ 1/16W J		R3221	NRSA6AJ-0R0W	MG RESISTOR	0Ω 1/16W J	
R1072	NRSA6AJ-823W	MG RESISTOR	82kΩ 1/16W J		R3222	NRSA6AJ-0R0W	MG RESISTOR	0Ω 1/16W J	
R1073	NRSA6AJ-623W	MG RESISTOR	62kΩ 1/16W J		R3225	NRSA6AJ-0R0W	MG RESISTOR	0Ω 1/16W J	
R1074	NRSA6AJ-103W	MG RESISTOR	10kΩ 1/16W J		R3703	NRSA6AD-680W	MG RESISTOR	68Ω 1/16W D	
R1075	NRSA6AJ-104W	MG RESISTOR	100kΩ 1/16W J		R3708	NRSA6AJ-103W	MG RESISTOR	10kΩ 1/16W J	
R1076	NRSA6AJ-104W	MG RESISTOR	100kΩ 1/16W J		R3709	NRSA6AJ-122W	MG RESISTOR	1.2kΩ 1/16W J	
R1077	NRSA6AJ-105W	MG RESISTOR	1MΩ 1/16W J		R3710	NRSA6AJ-222W	MG RESISTOR	2.2kΩ 1/16W J	
R1082	NRSA6AJ-104W	MG RESISTOR	100kΩ 1/16W J		R4001	NRSA6AJ-101W	MG RESISTOR	100Ω 1/16W J	
R1083	NRSA6AJ-104W	MG RESISTOR	100kΩ 1/16W J		R4002	NRSA6AJ-332W	MG RESISTOR	3.3kΩ 1/16W J	
R1084	NRSA6AJ-0R0W	MG RESISTOR	0Ω 1/16W J		R4008	NRSA6AJ-0R0W	MG RESISTOR	0Ω 1/16W J	
R1085	NRSA6AJ-0R0W	MG RESISTOR	0Ω 1/16W J		R4015	NRSA6AJ-0R0W	MG RESISTOR	0Ω 1/16W J	
R1086	NRSA6AJ-0R0W	MG RESISTOR	0Ω 1/16W J		R4016	NRSA6AJ-102W	MG RESISTOR	1kΩ 1/16W J	
R2202	NRSA6AJ-564W	MG RESISTOR	560kΩ 1/16W J		R4017	NRSA6AJ-103W	MG RESISTOR	10kΩ 1/16W J	
R2203	NRSA6AJ-393W	MG RESISTOR	39kΩ 1/16W J		R4018	NRSA6AJ-473W	MG RESISTOR	47kΩ 1/16W J	
R2204	NRSA6AJ-154W	MG RESISTOR	150kΩ 1/16W J		R4019	NRSA6AJ-473W	MG RESISTOR	47kΩ 1/16W J	
R2206	NRSA6AJ-333W	MG RESISTOR	33kΩ 1/16W J		R4020	NRSA6AJ-473W	MG RESISTOR	47kΩ 1/16W J	
R2207	NRSA6AJ-333W	MG RESISTOR	33kΩ 1/16W J		R4021	NRSA6AJ-473W	MG RESISTOR	47kΩ 1/16W J	
R2208	NRSA6AJ-223W	MG RESISTOR	22kΩ 1/16W J		R4023	NRSA6AD-473W	MG RESISTOR	47kΩ 1/16W D	
R2209	NRSA6AJ-223W	MG RESISTOR	22kΩ 1/16W J		R4025	NRSA6AJ-473W	MG RESISTOR	47kΩ 1/16W J	
R2210	NRSA6AJ-821W	MG RESISTOR	820Ω 1/16W J		R4026	NRSA6AJ-101W	MG RESISTOR	100Ω 1/16W J	
R2211	NRSA6AJ-821W	MG RESISTOR	820Ω 1/16W J		R4027	NRSA6AJ-473W	MG RESISTOR	47kΩ 1/16W J	
R2217	NRSA6AJ-100W	MG RESISTOR	10Ω 1/16W J		R4030	NRSA6AJ-473W	MG RESISTOR	47kΩ 1/16W J	
R2233	NRSA6AJ-564W	MG RESISTOR	560kΩ 1/16W J		R4031	NRSA6AJ-221W	MG RESISTOR	220Ω 1/16W J	
R2234	NRSA6AJ-564W	MG RESISTOR	560kΩ 1/16W J		R4036	NRSA6AJ-473W	MG RESISTOR	47kΩ 1/16W J	
R2235	NRSA6AJ-332W	MG RESISTOR	3.3kΩ 1/16W J		R4037	NRSA6AJ-473W	MG RESISTOR	47kΩ 1/16W J	
R2241	NRSA6AJ-104W	MG RESISTOR	100kΩ 1/16W J		R4038	NRSA6AJ-151W	MG RESISTOR	150Ω 1/16W J	
R2401	NRSA6AJ-472W	MG RESISTOR	4.7kΩ 1/16W J		R4039	NRSA6AJ-0R0W	MG RESISTOR	0Ω 1/16W J	
R2402	NRSA6AJ-472W	MG RESISTOR	4.7kΩ 1/16W J		R4042	NRSA6AJ-473W	MG RESISTOR	47kΩ 1/16W J	
R2403	NRSA6AJ-183W	MG RESISTOR	18kΩ 1/16W J		R4043	NRSA6AJ-103W	MG RESISTOR	10kΩ 1/16W J	
R2407	NRSA6AJ-100W	MG RESISTOR	10Ω 1/16W J		R4056	NRSA6AJ-181W	MG RESISTOR	180Ω 1/16W J	
R2601	NRSA6AJ-222W	MG RESISTOR	2.2kΩ 1/16W J		R4057	NRSA6AJ-181W	MG RESISTOR	180Ω 1/16W J	
R2602	NRSA6AJ-222W	MG RESISTOR	2.2kΩ 1/16W J		R4058	NRSA6AJ-181W	MG RESISTOR	180Ω 1/16W J	
R2607	NRSA6AJ-222W	MG RESISTOR	2.2kΩ 1/16W J		R4059	NRSA6AJ-181W	MG RESISTOR	180Ω 1/16W J	
R2608	NRSA6AJ-222W	MG RESISTOR	2.2kΩ 1/16W J		R4060	NRSA6AJ-181W	MG RESISTOR	180Ω 1/16W J	
R2609	NRSA6AJ-223W	MG RESISTOR	22kΩ 1/16W J		R4061	NRSA6AJ-181W	MG RESISTOR	180Ω 1/16W J	
R2610	NRSA6AJ-223W	MG RESISTOR	22kΩ 1/16W J		R4062	NRSA6AJ-181W	MG RESISTOR	180Ω 1/16W J	
R3001	NRSA6AJ-103W	MG RESISTOR	10kΩ 1/16W J		R4063	NRSA6AJ-181W	MG RESISTOR	180Ω 1/16W J	
R3002	NRSA6AJ-103W	MG RESISTOR	10kΩ 1/16W J		R4064	NRSA6AJ-181W	MG RESISTOR	180Ω 1/16W J	
R3003	NRSA6AJ-103W	MG RESISTOR	10kΩ 1/16W J		R4065	NRSA6AJ-181W	MG RESISTOR	180Ω 1/16W J	
R3004	NRSA6AJ-103W	MG RESISTOR	10kΩ 1/16W J		R4066	NRSA6AJ-181W	MG RESISTOR	180Ω 1/16W J	
R3007	NRSA6AJ-103W	MG RESISTOR	10kΩ 1/16W J		R4067	NRSA6AJ-181W	MG RESISTOR	180Ω 1/16W J	
R3008	NRSA6AJ-103W	MG RESISTOR	10kΩ 1/16W J		R4068	NRSA6AJ-181W	MG RESISTOR	180Ω 1/16W J	

MODEL	MARK	MODEL	MARK	MODEL	MARK	MODEL	MARK
GZ-MG47EX	A	GZ-MG57AA	D	GZ-MG57AH	G	GZ-MG57EX	K
GZ-MG47EY	B	GZ-MG57AC	E	GZ-MG57AS	H	GZ-MG57EY	M
GZ-MG47EZ	C	GZ-MG57AG	F	GZ-MG57EK	J	GZ-MG57EZ	N

△ Symbol No.	Part No.	Part Name	Description	Local	△ Symbol No.	Part No.	Part Name	Description	Local
R4069	NRSA6AJ-181W	MG RESISTOR	180Ω 1/16W J		R4949	NRSA6AJ-472W	MG RESISTOR	4.7kΩ 1/16W J	
R4070	NRSA6AJ-181W	MG RESISTOR	180Ω 1/16W J		R4950	NRSA6AJ-183W	MG RESISTOR	18kΩ 1/16W J	
R4071	NRSA6AJ-181W	MG RESISTOR	180Ω 1/16W J		R4951	NRSA6AJ-103W	MG RESISTOR	10kΩ 1/16W J	
R4074	NRSA6AJ-473W	MG RESISTOR	47kΩ 1/16W J		R4993	NRSA6AJ-471W	MG RESISTOR	470Ω 1/16W J	
R4079	NRSA6AJ-473W	MG RESISTOR	47kΩ 1/16W J		R5501	NRSA6AJ-100W	MG RESISTOR	10Ω 1/16W J	
R4080	NRSA6AJ-271W	MG RESISTOR	270Ω 1/16W J		R5502	NRSA6AJ-100W	MG RESISTOR	10Ω 1/16W J	
R4081	NRSA6AJ-331W	MG RESISTOR	330Ω 1/16W J		R5503	NRSA6AJ-100W	MG RESISTOR	10Ω 1/16W J	
R4083	NRSA6AJ-472W	MG RESISTOR	4.7kΩ 1/16W J		R5504	NRSA6AJ-100W	MG RESISTOR	10Ω 1/16W J	
R4084	NRSA6AJ-472W	MG RESISTOR	4.7kΩ 1/16W J		R5505	NRSA6AJ-100W	MG RESISTOR	10Ω 1/16W J	
R4086	NRSA6AJ-473W	MG RESISTOR	47kΩ 1/16W J		R5506	NRSA6AJ-100W	MG RESISTOR	10Ω 1/16W J	
R4201	NRSA6AJ-333W	MG RESISTOR	33kΩ 1/16W J		R5507	NRSA6AJ-100W	MG RESISTOR	10Ω 1/16W J	
R4202	NRSA6AJ-470W	MG RESISTOR	47Ω 1/16W J		R5508	NRSA6AJ-100W	MG RESISTOR	10Ω 1/16W J	
R4301	NRSA6AJ-473W	MG RESISTOR	47kΩ 1/16W J		R5509	NRSA6AJ-104W	MG RESISTOR	100kΩ 1/16W J	
R4501	NRSA6AJ-101W	MG RESISTOR	100Ω 1/16W J		R5510	NRSA6AJ-100W	MG RESISTOR	10Ω 1/16W J	
R4502	NRSA6AJ-101W	MG RESISTOR	100Ω 1/16W J		R5511	NRSA6AJ-100W	MG RESISTOR	10Ω 1/16W J	
R4503	NRSA6AJ-471W	MG RESISTOR	470Ω 1/16W J		R5512	NRSA6AJ-100W	MG RESISTOR	10Ω 1/16W J	
R4504	NRSA6AJ-471W	MG RESISTOR	470Ω 1/16W J		R7801	NRSA6AJ-333W	MG RESISTOR	33kΩ 1/16W J	
R4507	NRSA6AJ-471W	MG RESISTOR	470Ω 1/16W J		R7802	NRSA6AJ-822W	MG RESISTOR	8.2kΩ 1/16W J	
R4508	NRSA6AJ-471W	MG RESISTOR	470Ω 1/16W J		R7803	NRSA6AD-621W	MG RESISTOR	620Ω 1/16W D	
R4510	NRSA6AJ-101W	MG RESISTOR	100Ω 1/16W J		R7804	NRSA6AD-222W	MG RESISTOR	2.2kΩ 1/16W D	
R4511	NRSA6AJ-101W	MG RESISTOR	100Ω 1/16W J		R7805	NRSA6AD-123W	MG RESISTOR	12kΩ 1/16W D	
R4513	NRSA6AJ-100W	MG RESISTOR	10Ω 1/16W J		R7807	NRSA6AJ-682W	MG RESISTOR	6.8kΩ 1/16W J	
R4514	NRSA6AJ-100W	MG RESISTOR	10Ω 1/16W J		R7808	NRSA6AD-621W	MG RESISTOR	620Ω 1/16W D	
R4515	NRSA6AJ-102W	MG RESISTOR	1kΩ 1/16W J		R7809	NRSA6AD-222W	MG RESISTOR	2.2kΩ 1/16W D	
R4524	NRSA6AJ-101W	MG RESISTOR	100Ω 1/16W J		R7810	NRSA6AD-123W	MG RESISTOR	12kΩ 1/16W D	
R4525	NRSA6AJ-101W	MG RESISTOR	100Ω 1/16W J		R7812	NRSA6AJ-682W	MG RESISTOR	6.8kΩ 1/16W J	
R4527	NRSA6AJ-0R0W	MG RESISTOR	0Ω 1/16W J		R7813	NRSA6AD-621W	MG RESISTOR	620Ω 1/16W D	
R4529	NRSA6AJ-101W	MG RESISTOR	100Ω 1/16W J		R7814	NRSA6AD-222W	MG RESISTOR	2.2kΩ 1/16W D	
R4530	NRSA6AJ-473W	MG RESISTOR	47kΩ 1/16W J		R7815	NRSA6AD-123W	MG RESISTOR	12kΩ 1/16W D	
R4531	NRSA6AJ-123W	MG RESISTOR	12kΩ 1/16W J		R7817	NRSA6AJ-682W	MG RESISTOR	6.8kΩ 1/16W J	
R4532	NRSA6AJ-223W	MG RESISTOR	22kΩ 1/16W J		R7851	NRSA6AD-333W	MG RESISTOR	33kΩ 1/16W D	
R4533	NRSA6AJ-822W	MG RESISTOR	8.2kΩ 1/16W J		R7853	NRSA6AD-363W	MG RESISTOR	36kΩ 1/16W D	
R4534	NRSA6AJ-393W	MG RESISTOR	39kΩ 1/16W J		R7854	NRSA6AD-333W	MG RESISTOR	33kΩ 1/16W D	
R4535	NRSA6AJ-101W	MG RESISTOR	100Ω 1/16W J		R7856	NRSA6AD-363W	MG RESISTOR	36kΩ 1/16W D	
R4536	NRSA6AJ-100W	MG RESISTOR	10Ω 1/16W J		R7857	NRSA6AD-333W	MG RESISTOR	33kΩ 1/16W D	
R4537	NRSA6AJ-100W	MG RESISTOR	10Ω 1/16W J		R7859	NRSA6AD-363W	MG RESISTOR	36kΩ 1/16W D	
R4541	NRSA6AJ-473W	MG RESISTOR	47kΩ 1/16W J		R8301	NRSA6AJ-330W	MG RESISTOR	33Ω 1/16W J	
R4542	NRSA6AJ-0R0W	MG RESISTOR	0Ω 1/16W J		R8302	NRSA6AJ-330W	MG RESISTOR	33Ω 1/16W J	
R4550	NRSA6AJ-102W	MG RESISTOR	1kΩ 1/16W J		R8303	NRSA6AJ-330W	MG RESISTOR	33Ω 1/16W J	
R4551	NRSA6AJ-102W	MG RESISTOR	1kΩ 1/16W J		R8304	NRSA6AJ-330W	MG RESISTOR	33Ω 1/16W J	
R4554	NRSA6AJ-101W	MG RESISTOR	100Ω 1/16W J		R8305	NRSA6AJ-330W	MG RESISTOR	33Ω 1/16W J	
R4555	NRSA6AJ-101W	MG RESISTOR	100Ω 1/16W J		R8306	NRSA6AJ-330W	MG RESISTOR	33Ω 1/16W J	
R4556	NRSA6AJ-101W	MG RESISTOR	100Ω 1/16W J		R8307	NRSA6AJ-330W	MG RESISTOR	33Ω 1/16W J	
R4558	NRSA6AJ-471W	MG RESISTOR	470Ω 1/16W J		R8308	NRSA6AJ-330W	MG RESISTOR	33Ω 1/16W J	
R4561	NRSA6AJ-471W	MG RESISTOR	470Ω 1/16W J		R8309	NRSA6AJ-330W	MG RESISTOR	33Ω 1/16W J	
R4562	NRSA6AJ-473W	MG RESISTOR	47kΩ 1/16W J		R8310	NRSA6AJ-330W	MG RESISTOR	33Ω 1/16W J	
R4563	NRSA6AJ-152W	MG RESISTOR	1.5kΩ 1/16W J		R8311	NRSA6AJ-330W	MG RESISTOR	33Ω 1/16W J	
R4569	NRSA6AJ-101W	MG RESISTOR	100Ω 1/16W J		R8312	NRSA6AJ-330W	MG RESISTOR	33Ω 1/16W J	
R4571	NRSA6AJ-0R0W	MG RESISTOR	0Ω 1/16W J	D,E,F,G,H	R8313	NRSA6AJ-330W	MG RESISTOR	33Ω 1/16W J	
R4579	NRSA6AJ-101W	MG RESISTOR	100Ω 1/16W J		R8314	NRSA6AJ-330W	MG RESISTOR	33Ω 1/16W J	
R4580	NRSA6AJ-103W	MG RESISTOR	10kΩ 1/16W J		R8315	NRSA6AJ-330W	MG RESISTOR	33Ω 1/16W J	
R4581	NRSA6AJ-331W	MG RESISTOR	330Ω 1/16W J		R8316	NRSA6AJ-330W	MG RESISTOR	33Ω 1/16W J	
R4582	NRSA6AJ-331W	MG RESISTOR	330Ω 1/16W J		R8317	NRSA6AJ-330W	MG RESISTOR	33Ω 1/16W J	
R4583	NRSA6AJ-331W	MG RESISTOR	330Ω 1/16W J		R8318	NRSA6AJ-330W	MG RESISTOR	33Ω 1/16W J	
R4585	NRSA6AJ-0R0W	MG RESISTOR	0Ω 1/16W J		R8319	NRSA6AJ-330W	MG RESISTOR	33Ω 1/16W J	
R4587	NRSA6AJ-0R0W	MG RESISTOR	0Ω 1/16W J		R8320	NRSA6AJ-330W	MG RESISTOR	33Ω 1/16W J	
R4588	NRSA6AJ-0R0W	MG RESISTOR	0Ω 1/16W J		R8321	NRSA6AJ-330W	MG RESISTOR	33Ω 1/16W J	
R4589	NRSA6AJ-473W	MG RESISTOR	47kΩ 1/16W J	A,B,C,J,K,M,N	R8322	NRSA6AJ-220W	MG RESISTOR	22Ω 1/16W J	
R4903	NRSA6AJ-822W	MG RESISTOR	8.2kΩ 1/16W J		R8323	NRSA6AJ-220W	MG RESISTOR	22Ω 1/16W J	
R4904	NRSA6AJ-103W	MG RESISTOR	10kΩ 1/16W J		R8324	NRSA6AJ-820W	MG RESISTOR	82Ω 1/16W J	
R4905	NRSA6AJ-153W	MG RESISTOR	15kΩ 1/16W J		R8325	NRSA6AJ-220W	MG RESISTOR	22Ω 1/16W J	
R4906	NRSA6AJ-564W	MG RESISTOR	560kΩ 1/16W J		R8326	NRSA6AJ-820W	MG RESISTOR	82Ω 1/16W J	
R4907	NRSA6AJ-105W	MG RESISTOR	1MΩ 1/16W J		R8327	NRSA6AJ-820W	MG RESISTOR	82Ω 1/16W J	
R4908	NRSA6AJ-472W	MG RESISTOR	4.7kΩ 1/16W J		R8328	NRSA6AJ-330W	MG RESISTOR	33Ω 1/16W J	
R4909	NRSA6AJ-105W	MG RESISTOR	1MΩ 1/16W J		R8329	NRSA6AJ-0R0W	MG RESISTOR	0Ω 1/16W J	
R4910	NRSA6AJ-101W	MG RESISTOR	100Ω 1/16W J		R8330	NRSA6AJ-471W	MG RESISTOR	470Ω 1/16W J	
R4911	NRSA6AJ-101W	MG RESISTOR	100Ω 1/16W J		R8332	NRSA6AJ-0R0W	MG RESISTOR	0Ω 1/16W J	
R4916	NRSA6AJ-103W	MG RESISTOR	10kΩ 1/16W J		R8334	NRSA6AJ-0R0W	MG RESISTOR	0Ω 1/16W J	
R4917	NRSA6AJ-273W	MG RESISTOR	27kΩ 1/16W J		R8335	NRSA6AJ-0R0W	MG RESISTOR	0Ω 1/16W J	
R4919	NRSA6AJ-103W	MG RESISTOR	10kΩ 1/16W J		R8340	NRSA6AJ-102W	MG RESISTOR	1kΩ 1/16W J	
R4920	NRSA6AJ-103W	MG RESISTOR	10kΩ 1/16W J		R8342	NRSA6AD-622W	CMF RESISTOR	6.2kΩ 1/16W D	
R4923	NRSA6AJ-0R0W	MG RESISTOR	0Ω 1/16W J		R8349	NRSA6AJ-330W	MG RESISTOR	33Ω 1/16W J	
R4924	NRSA6AJ-123W	MG RESISTOR	12kΩ 1/16W J		R8350	NRSA6AJ-121W	MG RESISTOR	120Ω 1/16W J	
R4925	NRSA6AJ-104W	MG RESISTOR	100kΩ 1/16W J		R8351	NRSA6AJ-102W	MG RESISTOR	1kΩ 1/16W J	
R4926	NRSA6AJ-0R0W	MG RESISTOR	0Ω 1/16W J		R8352	NRSA6AJ-103W	MG RESISTOR	10kΩ 1/16W J	
R4931	NRSA6AJ-271W	MG RESISTOR	270Ω 1/16W J		R8353	NRSA6AJ-562W	MG RESISTOR	5.6kΩ 1/16W J	
R4933	NRSA6AJ-0R0W	MG RESISTOR	0Ω 1/16W J		R8354	NRSA6AJ-104W	MG RESISTOR	100kΩ 1/16W J	
R4944	NRSA6AJ-0R0W	MG RESISTOR	0Ω 1/16W J		R8356	NRSA6AJ-473W	MG RESISTOR	47kΩ 1/16W J	

MODEL	MARK	MODEL	MARK	MODEL	MARK	MODEL	MARK
GZ-MG47EX	A	GZ-MG57AA	D	GZ-MG57AH	G	GZ-MG57EX	K
GZ-MG47EY	B	GZ-MG57AC	E	GZ-MG57AS	H	GZ-MG57EY	M
GZ-MG47EZ	C	GZ-MG57AG	F	GZ-MG57EK	J	GZ-MG57EZ	N

△ Symbol No.	Part No.	Part Name	Description	Local	△ Symbol No.	Part No.	Part Name	Description	Local
R8357	NRSA6AJ-0R0W	MG RESISTOR	0Ω 1/16W J		X1001	NAX0784-001X	C RESONATOR	32.000MHz	
R8364	NRSA6AJ-0R0W	MG RESISTOR	0Ω 1/16W J		X1002	NAX0564-001X	CRYSTAL	32.768kHz	
R8365	NRSA6AJ-0R0W	MG RESISTOR	0Ω 1/16W J		X4001	NAX0710-001X	CXO	48.000MHz	
RA3001	NRZ0034-181W	NET RESISTOR	180Ω 1/32W J x4		X5501	NAX0674-001X	CXO	72M CXO 72.000MHZ	
RA3002	NRZ0034-181W	NET RESISTOR	180Ω 1/32W J x4		HD1	LY35255-001A	HOLDER(W.B)	W.B.HOLD	ABC,J,K,M,N
RA3201	NRZ0034-100W	NET RESISTOR	10Ω 1/32W J x4		HD1	LY35255-001A-ML	HOLDER(W.B)	W.B.HOLD	D,E,F,G,H
RA3202	NRZ0034-100W	NET RESISTOR	10Ω 1/32W J x4		HD2	LY35258-001A	LED HOLDER (1)	LED HOLD1	ABC,J,K,M,N
RA4001	NRZ0034-221W	NET RESISTOR	220Ω 1/32W J x4		HD2	LY35258-001A-ML	LED HOLDER (1)	LED HOLD1	D,E,F,G,H
RA4002	NRZ0034-221W	NET RESISTOR	220Ω 1/32W J x4		HD3	LY35259-001A-ML	LED HOLDER (2)	LED HOLD2	H
RA4003	NRZ0034-473W	NET RESISTOR	47kΩ 1/32W J x4		HD3	LY35259-001B	LED HOLDER (2)	LED HOLD2	ABC,J,K,M,N
RA4004	NRZ0034-473W	NET RESISTOR	47kΩ 1/32W J x4		HD3	LY35259-001B-ML	LED HOLDER (2)	LED HOLD2	D,E,F,G
RA4301	NRZ0034-104W	NET RESISTOR	100kΩ 1/32W J x4		OT1	LY30035-025B	SPACER(A)	FPC	
RA4302	NRZ0034-104W	NET RESISTOR	100kΩ 1/32W J x4		OT2	LY30035-036A	SPACER(A)	PWB	
RA4303	NRZ0034-104W	NET RESISTOR	100kΩ 1/32W J x4		SD1	LY45207-001A	SHIELD SHEET	SD	
RA4304	NRZ0034-104W	NET RESISTOR	100kΩ 1/32W J x4		WR1	QAL0807-001	FPC	MAIN-HDD	
L111	NRSA02J-0R0X	MG RESISTOR	0Ω 1/10W J		CCD BOARD ASSEMBLY <02>				
L121	NRSA63J-0R0X	MG RESISTOR	0Ω 1/16W J		△ Symbol No.	Part No.	Part Name	Description	Local
L131	NQR0506-002X	EMI FILTER			PW1	LYA10084-01A	CCD BOARD ASSY		
L141	NQR0129-002X	FERRITE BEADS			IC5801	TC75S54FU-X	IC		
L161	NQL38DK-100X	P COIL	10uH K		IC5801 or NJU7008F3-X		IC		
L171	NQR0129-002X	FERRITE BEADS			IC5801 or S-89120ANC-G-X		IC		
L1001	NQR0129-002X	FERRITE BEADS			IC5802	SN74AHC1G66K-X	IC		
L1002	NQLC32M-100X	COIL	10uH M		IC5802 or TC7S66FU-X		IC(DIGITAL)		
L2401	NQLC32M-100X	COIL	10uH M		IC5802 or 74AHC1G66GW-X		IC		
L2402	NQLC32M-100X	COIL	10uH M		IC5803	TC75S54FU-X	IC		
L2601	NQR0269-013X	FERRITE BEADS			IC5803 or NJU7008F3-X		IC		
L2602	NQR0269-013X	FERRITE BEADS			IC5803 or S-89120ANC-G-X		IC		
L2603	NQR0269-013X	FERRITE BEADS			IC5804	TC7W53FU-X	IC(DIGITAL)		
L3001	NQR0129-002X	FERRITE BEADS			IC5852	NAL0039-002X	GYRO SENSOR		
L3002	NQR0154-003X	FERRITE CORE			IC5901	TC75S54FU-X	IC		
L3005	NQR0006-001X	FERRITE BEADS			IC5901 or NJU7008F3-X		IC		
L3007	NQR0129-002X	FERRITE BEADS			IC5901 or S-89120ANC-G-X		IC		
L3201	NQR0129-002X	FERRITE BEADS			IC5902	SN74AHC1G66K-X	IC		
L3203	NQR0129-002X	FERRITE BEADS			IC5902 or TC7S66FU-X		IC(DIGITAL)		
L3206	NRSA02J-0R0X	MG RESISTOR	0Ω 1/10W J		IC5902 or 74AHC1G66GW-X		IC		
L3701	NQL38DK-100X	P COIL	10uH K		IC5903	TC75S54FU-X	IC		
L4003	NQR0129-002X	FERRITE BEADS			IC5903 or NJU7008F3-X		IC		
L4004	NQR0006-001X	FERRITE BEADS			IC5903 or S-89120ANC-G-X		IC		
L4005	NQR0154-003X	FERRITE CORE			IC5904	TC7W53FU-X	IC(DIGITAL)		
L4201	NQLC32M-100X	COIL	10uH M		IC5952	NAL0038-002X	GYRO SENSOR		
L4301	NQR0129-002X	FERRITE BEADS			Q5201	2SC4083/NP/-X	TRANSISTOR	CCD OUT	
L4303	NQR0154-003X	FERRITE CORE			Q5202	2SC4081/RS/-X	TRANSISTOR		
L4501	NQR0006-001X	FERRITE BEADS			Q5203	2SC4083/NP/-X	TRANSISTOR		
L4502	NQR0006-001X	FERRITE BEADS			C5201	NCB31CK-104X	C CAPACITOR	0.1uF 16V K	
L4503	NQR0006-001X	FERRITE BEADS			C5202	NBZ0018-106X	TA E CAPACITOR	10uF 20V M	
L4505	NQR0006-001X	FERRITE BEADS			C5203	NCB31EK-104X	C CAPACITOR	0.1uF 25V K	
L4507	NQR0006-001X	FERRITE BEADS			C5204	NBE21AM-106X	TA E CAPACITOR	10uF 10V M	
L4901	NQR0129-002X	FERRITE BEADS			C5205	NCB31CK-104X	C CAPACITOR	0.1uF 16V K	
L4903	NQL38DK-100X	P COIL	10uH K		C5206	NCB31EK-104X	C CAPACITOR	0.1uF 25V K	
L4904	NQL38DK-100X	P COIL	10uH K		C5207	NCB31HK-222X	C CAPACITOR	2200pF 50V K	
L5502	NQLC32M-100X	COIL	10uH M		C5801	NBE90JM-106X	TA E CAPACITOR	10uF 6.3V M	
L5503	NQR0129-002X	FERRITE BEADS			C5806	NCB31CK-103X	C CAPACITOR	0.01uF 16V K	
L5504	NQLC32M-100X	COIL	10uH M		C5807	NCB21AK-225X	C CAPACITOR	2.2uF 10V K	
L5505	NQR0602-001X	FERRITE BEADS		ABC,DEF,I,J,K,M,N	C5808	NDC31HJ-331X	C CAPACITOR	330pF 50V J	
L5506	NQLC32M-100X	COIL	10uH M	G,H	C5809	NBE20JM-475X	TA E CAPACITOR	4.7uF 6.3V M	
L7801	NRSA02J-0R0X	MG RESISTOR	0Ω 1/10W J		C5810	NDC31HJ-331X	C CAPACITOR	330pF 50V J	
L7851	NRSA02J-0R0X	MG RESISTOR	0Ω 1/10W J		C5812	NCB31CK-104X	C CAPACITOR	0.1uF 16V K	
L8301	NRSA63J-0R0X	MG RESISTOR	0Ω 1/16W J		C5813	NDC31HJ-331X	C CAPACITOR	330pF 50V J	
L8302	NQR0006-001X	FERRITE BEADS			C5851	NBE90JM-106X	TA E CAPACITOR	10uF 6.3V M	
L8303	NRSA02J-0R0X	MG RESISTOR	0Ω 1/10W J		C5853	NCB31CK-104X	C CAPACITOR	0.1uF 16V K	
L8304	NQR0006-001X	FERRITE BEADS			C5907	NCB21AK-225X	C CAPACITOR	2.2uF 10V K	
L8305	NQR0129-002X	FERRITE BEADS			C5908	NDC31HJ-331X	C CAPACITOR	330pF 50V J	
CN101	QGF0547C3-50X	CONNECTOR	KIN OPE FFC/FPC (1-50)		C5909	NBE20JM-475X	TA E CAPACITOR	4.7uF 6.3V M	
CN102	QGF0508F3-40X	CONNECTOR	KIN HDD FFC/FPC (1-40)		C5910	NDC31HJ-331X	C CAPACITOR	330pF 50V J	
CN103	QGF0534F2-53X	CONNECTOR	KIN REAR FFC/FPC (1-53)		C5912	NCB31CK-104X	C CAPACITOR	0.1uF 16V K	
CN104	QGF0534F2-06X	CONNECTOR	KIN ZOOM FFC/FPC (1-6)		C5913	NDC31HJ-331X	C CAPACITOR	330pF 50V J	
CN105	QGF0547C3-24X	CONNECTOR	CCD FFC/FPC (1-24)		R5201	NRSA63J-332X	MG RESISTOR	3.3kΩ 1/16W J	
CN106	QGF0549C2-22W	CONNECTOR	KIN OP FFC/FPC (1-22)		R5202	NRSA63J-332X	MG RESISTOR	3.3kΩ 1/16W J	
CN107	QGA1001F1-04X	CONNECTOR	INT MIC W-B (1-4)		R5203	NRSA63J-103X	MG RESISTOR	10kΩ 1/16W J	
CN110	QGB0512L1-30X	CONNECTOR	JIG B-B (1-30)						
CN111	NNZ0156-001X	SD CARD CONNECTOR	SD						
J101	QNZ0847-001	USB CONNECTOR	AB USB						
TP1	NNZ0163-001X	EARTH TERMINAL							
TP2	NNZ0163-001X	EARTH TERMINAL							
TP3	NNZ0163-001X	EARTH TERMINAL							

MODEL	MARK	MODEL	MARK	MODEL	MARK	MODEL	MARK
GZ-MG47EX	A	GZ-MG57AA	D	GZ-MG57AH	G	GZ-MG57EX	K
GZ-MG47EY	B	GZ-MG57AC	E	GZ-MG57AS	H	GZ-MG57EY	M
GZ-MG47EZ	C	GZ-MG57AG	F	GZ-MG57EK	J	GZ-MG57EZ	N

△ Symbol No.	Part No.	Part Name	Description	Local	△ Symbol No.	Part No.	Part Name	Description	Local
R5204	NRSA63J-123X	MG RESISTOR	12kΩ	1/16W J	J401	QNS0078-001	3.5 JACK	AV JACK	
R5205	NRSA63J-103X	MG RESISTOR	10kΩ	1/16W J	J402	QND0078-001	S JACK	S JACK	
R5805	NRSA63J-473X	MG RESISTOR	47kΩ	1/16W J	S401	NSW0260-001X	SLIDE SWITCH	POWER_CHRG	
R5806	NRSA63J-474X	MG RESISTOR	470kΩ	1/16W J	S402	NSW0161-001X	DETECT SWITCH	LCD_OPEN	
R5807	NRSA63J-183X	MG RESISTOR	18kΩ	1/16W J	S403	NSW0099-001X	SLIDE SWITCH	MOV/STILL	
R5808	NRSA63J-105X	MG RESISTOR	1MΩ	1/16W J	S404	NSW0198-001X	TACT SWITCH	INFO	
R5811	NRSA63J-123X	MG RESISTOR	12kΩ	1/16W J	S405	NSW0198-001X	TACT SWITCH	BKLIGHT	
R5812	NRSA63J-0R0X	MG RESISTOR	0Ω	1/16W J	S411	NSW0198-001X	TACT SWITCH	NIGHT EYE	
R5816	NRSA63J-0R0X	MG RESISTOR	0Ω	1/16W J	S412	NSW0198-001X	TACT SWITCH	TRASH	
R5817	NRSA63J-0R0X	MG RESISTOR	0Ω	1/16W J	S413	NSW0272-001X	TACT SWITCH	RESET	
R5818	NRSA63J-473X	MG RESISTOR	47kΩ	1/16W J	WR1	WJT0196-001A-E	E-CARD WIRE	OPE-MAIN	
R5819	NRSA63D-104X	MG RESISTOR	100kΩ	1/16W D					
R5820	NRSA63D-103X	MG RESISTOR	10kΩ	1/16W D					
R5905	NRSA63J-473X	MG RESISTOR	47kΩ	1/16W J					
R5906	NRSA63J-474X	MG RESISTOR	470kΩ	1/16W J					
R5907	NRSA63J-183X	MG RESISTOR	18kΩ	1/16W J					
R5908	NRSA63J-105X	MG RESISTOR	1MΩ	1/16W J					
R5911	NRSA63J-123X	MG RESISTOR	12kΩ	1/16W J					
R5912	NRSA63J-0R0X	MG RESISTOR	0Ω	1/16W J					
R5915	NRSA63J-0R0X	MG RESISTOR	0Ω	1/16W J					
R5917	NRSA63J-0R0X	MG RESISTOR	0Ω	1/16W J					
R5918	NRSA63J-473X	MG RESISTOR	47kΩ	1/16W J					
R5919	NRSA63D-104X	MG RESISTOR	100kΩ	1/16W D					
R5920	NRSA63D-103X	MG RESISTOR	10kΩ	1/16W D					
L5201	NQL38DK-100X	P COIL		10uH K					
L5202	NQL38DK-100X	P COIL		10uH K					
L5801	NQR0129-002X	FERRITE BEADS							
L5851	NQR0129-002X	FERRITE BEADS							
CN5201	QGF0503F8-24X	CONNECTOR		TO MAIN FFC/FPC (1-24)					
TL5201	NNZ0094-001X	EARTH TERMINAL							
OT1	LY34957-010A	BUSTERAID(A)		FPC					
WR1	QAL0866-001	FPC		TO MAIN					

REAR BOARD ASSEMBLY <05>

△ Symbol No.	Part No.	Part Name	Description	Local
PW1	LYA10068-01C	REAR BOARD ASSY		
IC6001	FA7737F	IC		
IC6002	LTC4412ES6-W	IC		
IC6004	S-89220ACNC-G-W	IC		
Q6002	DTC144EE-X	DIGI TRANSISTOR		
Q6002	or BCR148T-X	DIGI TRANSISTOR		
Q6002	or UN9213J-X	DIGI TRANSISTOR		
Q6002	or PDTCT144EE-X	DIGI TRANSISTOR		
Q6003	SP8J5-X	MOS FET		SP8J5
Q6101	RSR025P03-X	MOS FET		
Q6102	RSR025N03-X	MOS FET		
Q6201	RSR025P03-X	MOS FET		
Q6202	RSR025N03-X	MOS FET		
Q6301	RSR025P03-X	MOS FET		
Q6302	RTF020P02-X	MOS FET		
Q6303	2SC4617/QR/-X	TRANSISTOR		
Q6303	or BC847BT-X	TRANSISTOR		
Q6303	or 2SD2216J/QR/-X	TRANSISTOR		
Q6303	or 2SC4738/YG/-X	TRANSISTOR		
Q6303	or 2SC5383/E/-X	TRANSISTOR		
Q6401	RSR025P03-X	MOS FET		
Q6402	RTF020P02-X	MOS FET		
Q6403	2SC4617/QR/-X	TRANSISTOR		
Q6403	or BC847BT-X	TRANSISTOR		
Q6403	or 2SD2216J/QR/-X	TRANSISTOR		
Q6403	or 2SC4738/YG/-X	TRANSISTOR		
Q6403	or 2SC5383/E/-X	TRANSISTOR		
Q6404	RTF020P02-X	MOS FET		
Q6501	RSR025P03-X	MOS FET		
Q6502	2SD2703-X	TRANSISTOR		
Q6503	UMT1N-W	PAIR TRANSISTOR		
Q6503	or HN1A01FU/G/-X	PAIR TRANSISTOR		
Q6503	or BC856S-X	PAIR TRANSISTOR		
Q6701	RSR025P03-X	MOS FET		
Q6702	RSR025P03-X	MOS FET		
Q6703	RSR025P03-X	MOS FET		

OPE BOARD ASSEMBLY <04>

△ Symbol No.	Part No.	Part Name	Description	Local
PW1	LYA10085-01A1	OPE BOARD ASSY		
D401	SML-A12UT-X	LED	POW/CHG	
D402	SMLA12BC4T-X	LED	DRV_ACCESS	
D403	MA8068-X	Z DIODE	LCD_OPN SW	
D403	or UDZS6.8B-X	Z DIODE	LCD_OPN SW	
D404	SML-A12MT-X	LED	USB_HOST	
D452	MA8068-X	Z DIODE		
D452	or UDZS6.8B-X	Z DIODE		
C451	NCB31EK-103X	C CAPACITOR	0.01uF 25V K	
C452	NCB31EK-103X	C CAPACITOR	0.01uF 25V K	
C455	NCB31EK-103X	C CAPACITOR	0.01uF 25V K	
C456	NEAF0GM-337X	E CAPACITOR	330uF 4V M	
C457	NEAF0GM-337X	E CAPACITOR	330uF 4V M	
R401	NRSA63J-103X	MG RESISTOR	10kΩ	1/16W J
R405	NRSA63J-103X	MG RESISTOR	10kΩ	1/16W J
R406	NRSA63J-332X	MG RESISTOR	3.3kΩ	1/16W J
R407	NRSA63J-682X	MG RESISTOR	6.8kΩ	1/16W J
R408	NRSA63J-223X	MG RESISTOR	22kΩ	1/16W J
R451	NRSA63J-101X	MG RESISTOR	100Ω	1/16W J
R452	NRSA63J-101X	MG RESISTOR	100Ω	1/16W J
R455	NRSA63D-680X	MG RESISTOR	68Ω	1/16W D
R456	NRSA63D-680X	MG RESISTOR	68Ω	1/16W D
R457	NRSA02J-0R0X	MG RESISTOR	0Ω	1/10W J
L451	NQR0251-004X	FERRITE BEADS		
L452	NQR0251-004X	FERRITE BEADS		
L453	NRSA63J-0R0X	MG RESISTOR	0Ω	1/16W J
L454	NRSA63J-0R0X	MG RESISTOR	0Ω	1/16W J
L455	NRSA63J-0R0X	MG RESISTOR	0Ω	1/16W J
△ BT401	QAB0069-001	LITHIUM BATTERY		
CN401	QGF0508C3-50W	CONNECTOR	MAIN PWB FFC/FPC (1-50)	
CN402	QGF0503F8-24X	CONNECTOR	MONI FPC FFC/FPC (1-24)	
CN403	QGA1001F1-02X	CONNECTOR	SPEAKER W-B (1-2)	

C601	NCB31EK-104X	C CAPACITOR	0.1uF 25V K	
C603	NCB31EK-104X	C CAPACITOR	0.1uF 25V K	
C6006	NCBA1AK-104W	C CAPACITOR	0.1uF 10V K	
C6007	NCBA1AK-104W	C CAPACITOR	0.1uF 10V K	

MODEL	MARK	MODEL	MARK	MODEL	MARK	MODEL	MARK
GZ-MG47EX	A	GZ-MG57AA	D	GZ-MG57AH	G	GZ-MG57EX	K
GZ-MG47EY	B	GZ-MG57AC	E	GZ-MG57AS	H	GZ-MG57EY	M
GZ-MG47EZ	C	GZ-MG57AG	F	GZ-MG57EK	J	GZ-MG57EZ	N

△ Symbol No. Part No. Part Name Description Local

Q7703	or RT3CLLM/EF/-X	PAIR TRANSISTOR		
C7602	NCB10JK-106X	C CAPACITOR	10uF 6.3V K	
C7603	NCB31CK-105X	C CAPACITOR	1uF 16V K	
C7604	NCB31CK-105X	C CAPACITOR	1uF 16V K	
C7605	NCB31CK-105X	C CAPACITOR	1uF 16V K	
C7607	NCB11EK-105X	C CAPACITOR	1uF 25V K	
C7608	NCB31CK-105X	C CAPACITOR	1uF 16V K	
C7609	NCB11EK-105X	C CAPACITOR	1uF 25V K	
C7610	NCB11EK-105X	C CAPACITOR	1uF 25V K	
C7611	NCB11EK-105X	C CAPACITOR	1uF 25V K	
C7612	NCB11EK-105X	C CAPACITOR	1uF 25V K	
C7613	NCB31EK-153X	C CAPACITOR	0.015uF 25V K	
C7614	NCB31CK-224X	C CAPACITOR	0.22uF 16V K	
C7703	NCB31EK-103X	C CAPACITOR	0.01uF 25V K	
C7704	NCB31EK-104X	C CAPACITOR	0.1uF 25V K	
R7501	NRSA63J-332X	MG RESISTOR	3.3kΩ 1/16W J	
R7502	NRSA63J-682X	MG RESISTOR	6.8kΩ 1/16W J	
R7503	NRSA63J-223X	MG RESISTOR	22kΩ 1/16W J	
R7601	NRSA63J-0R0X	MG RESISTOR	0Ω 1/16W J	
R7603	NRSA63J-0R0X	MG RESISTOR	0Ω 1/16W J	
R7605	NRSA63J-0R0X	MG RESISTOR	0Ω 1/16W J	
R7606	NRSA63J-0R0X	MG RESISTOR	0Ω 1/16W J	
R7607	NRSA63D-332X	MG RESISTOR	3.3kΩ 1/16W D	
R7608	NRSA63J-106X	MG RESISTOR	10MΩ 1/16W J	
R7609	NRSA63J-0R0X	MG RESISTOR	0Ω 1/16W J	
R7610	NRSA63J-0R0X	MG RESISTOR	0Ω 1/16W J	
R7703	NRSA63J-332X	MG RESISTOR	3.3kΩ 1/16W J	
R7705	NRSA63J-911X	MG RESISTOR	910Ω 1/16W J	
R7706	NRSA63J-200X	MG RESISTOR	20Ω 1/16W J	
L7602	NQL38DK-101X	P COIL	100uH K	
CN7601	QGF0534F2-12X	CONNECTOR	KIN OPE FFC/FPC (1-12)	
CN7602	QGF0534F2-12X	CONNECTOR	KIN OPE FFC/FPC (1-12)	
CN7603	QGF0534F2-36X	CONNECTOR	KIN LCD FFC/FPC (1-36)	
CN7701	QGF0534F2-06X	CONNECTOR	LED BL FFC/FPC (1-6)	
S7501	NSW0288-001X	TACT SWITCH	CROSSKEY	
S7502	NSW0198-001X	TACT SWITCH	MENU	
OT1	QAL0687-001	FPC		