

# PARTS LIST

## SAFETY PRECAUTION

Parts identified by the  $\triangle$  symbol are critical for safety. Replace only with specified part numbers.

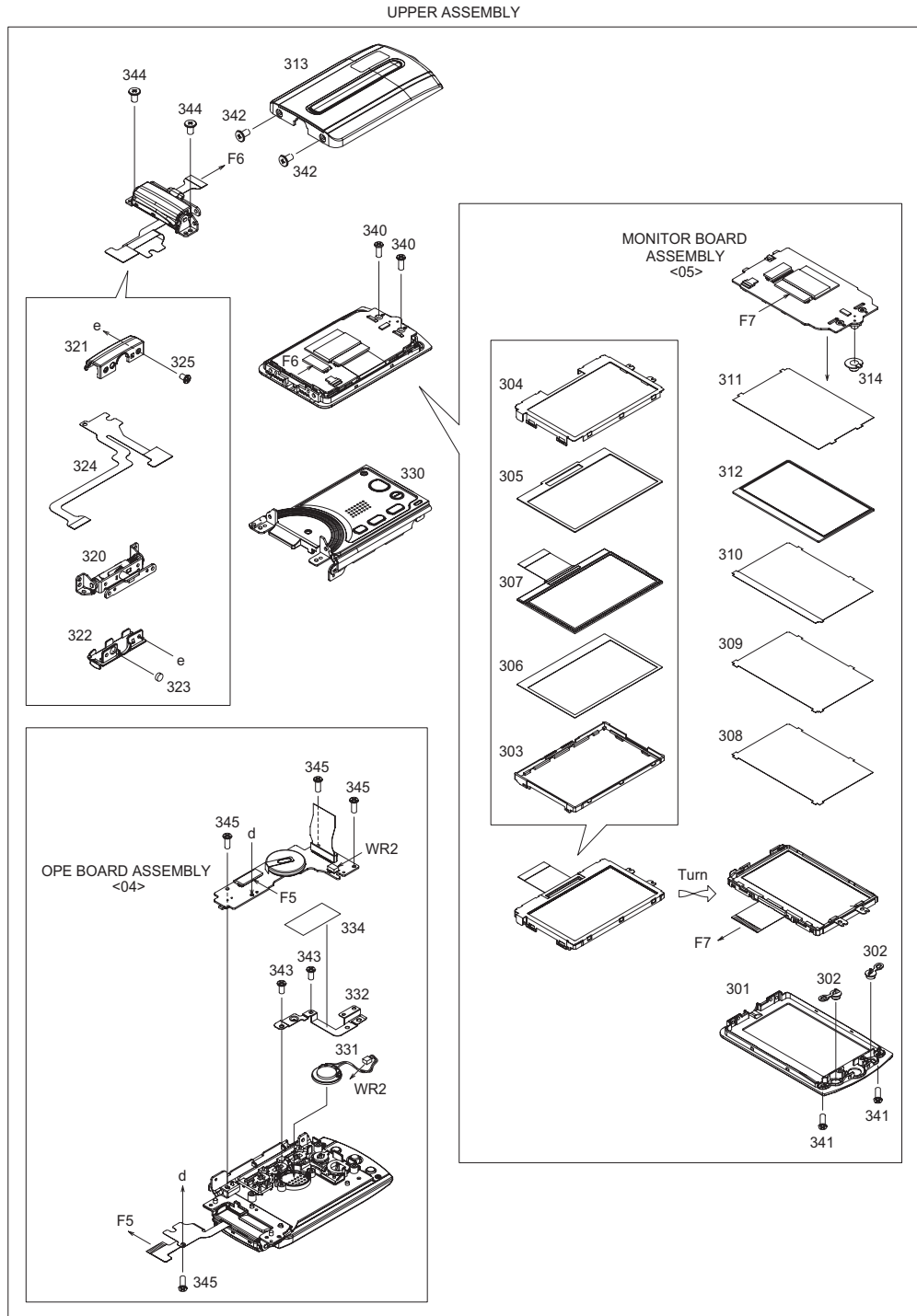
## BEWARE OF BOGUS PARTS

Parts that do not meet specifications may cause trouble in regard to safety and performance. We recommend that genuine JVC parts be used.

### 1. EXPLODED VIEW

#### 1.1 FINAL ASSEMBLY<M1>

The instruction manual to be provided with this product will differ according to the destination.



MODEL	MARK	MODEL	MARK	MODEL	MARK	MODEL	MARK	MODEL	MARK
GZ-MG130EK	A	GZ-MG130EZ	D	GZ-MG132EY	G	GZ-MG135EK	K	GZ-MG135EZ	P
GZ-MG130EX	B	GZ-MG131EG	E	GZ-MG132EZ	H	GZ-MG135EX	M		
GZ-MG130EY	C	GZ-MG132EK	F	GZ-MG133EX	J	GZ-MG135EY	N		

## 2. PARTS LIST

### FINAL ASSEMBLY <M1>

Symbol No.	Part No.	Part Name	Description	Local
301	LY21554-005D	MONI CASE		A,B,C,D,E,J
301	LY21554-001D	MONI CASE		F,G,H,K,M,N,P
302	LY21555-001A	BUTTON(MONI)	(x2)	
303	LY21556-001B	LCD CASE		
304	LY35825-001A	LCD BKT ASSY		
305	LY35476-001A	SPACER(LCD)		
306	LY35477-001A	SPACER(LCD-2)		
307	QLD0486-001	LCD MODULE		
308	LY35478-001A	SHEET(BEF)1		
309	LY35479-001A	SHEET(BEF)2		
310	LY35480-001A	SHEET(M/DIFF)		
311	LY35481-001A	SHEET(M.REF)		
312	LY35482-001A	LIGHT GUIDE		
313	LY21561-007D	MONI.COVER ASSY		A,B,C,D,E,F,G,H,J
313	LY21561-008D	MONI.COVER ASSY		K,M,N,P
314	LY21564-001B	KNOB(CURSL)		
320	LY21558-001C	HINGE UNIT		
321	LY21559-006A	HINGE COVER(U)		
322	LY21560-001A	HINGE COVER(L)		
323	LY45427-001A	P.C.MAGNET		
324	QAL0905-002	FPC		
325	LY30031-0E3A	SPECIAL SCREW	H.CVR-HING	
330	LY21565-001F	U.CASE ASSY		
331	QAS0495-001	SPEAKER		
332	LY35490-001B	BKT(SPEAKER)		
334	LY30034-0W4A	SPACER(A)		
340	LY30031-0L8B	SPECIAL SCREW	MON.P-M.CA(x2)	
341	LY30031-0L8B	SPECIAL SCREW	M.CO-M.CA(x2)	
342	LY30031-062A	SPECIAL SCREW	M.CO-HING(x2)	
343	LY30031-039A	SPECIAL SCREW	B.SPK-UPR(x2)	
344	LY30031-0M6A	SPECIAL SCREW	HING-UPR(x2)	
345	LY30031-0L8B	SPECIAL SCREW	OPE.P-UPR(x4)	