



# PARTS LIST

## CAMCORDER

GZ-HM440AEU  
GZ-HM440REU  
GZ-HM445BEK  
GZ-HM445REU  
GZ-HM446AEU

GZ-HM440BEK  
GZ-HM445AEK  
GZ-HM445BEU  
GZ-HM445SEK  
GZ-HM446BEU  
GZ-HM446SEU

GZ-HM440BEU  
GZ-HM445AEU  
GZ-HM445REK  
GZ-HM445SEU  
GZ-HM446REU



## ■ PRECAUTIONS ON SCHEMATIC DIAGRAMS

- Due to the improvement in performance, some part numbers shown in the circuit diagrams may not agree with those indicated in the Parts List.
- The parts numbers, values and rated voltage etc. in the Schematic Diagrams are for reference only.
- Since the circuit diagrams are standard ones, the circuits and circuit constants may be subject to change for improvement without any notice.

## ■ PRECAUTIONS ON PARTS LIST

- The parts identified by the  $\triangle$  symbol are critical for safety. Whenever replacing these parts, be sure to use specified ones to secure the safety.
- The parts not indicated in this Parts List and those which are filled with lines --- in the Parts No. columns will not be supplied.
- P.W. BOARD Ass'y will not be supplied, but those which are filled with the Parts No. in the Parts No. columns will be supplied.
- When ordering chips, screws etc., place bulk orders (unit of tens) whenever possible to improve shipping efficiency.
- There are cases where the actual implemented parts in the sets and the service parts are different. When ordering parts, make sure to refer to the Parts List.

## ■ PRECAUTIONS ON SERVICE

Certain parts of the power circuits and the GNDs differ according to the models. Care must be taken for the following points as the differences are indicated separately in the LIVE GND () and the ISOLATED (NEUTRAL) GND (.

1. Do not touch the LIVE GND, or do not touch the LIVE GND and the ISOLATED (NEUTRAL) GND at the same time. It may cause an electric shock.  
Before pulling out the chassis or other parts, make sure to pull out the power cord from the wall outlet first.
2. Do not short circuit between the LIVE GND and ISOLATED (NEUTRAL) GND, or never measure the LIVE GND and ISOLATED (NEUTRAL) GND at the same time using measuring instruments (oscilloscope, etc.). It may blow fuses or damage other parts.

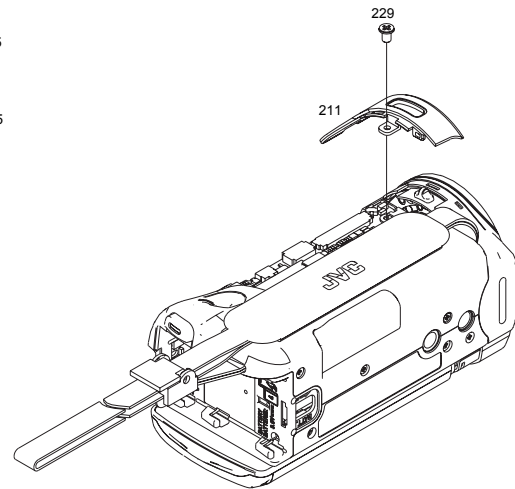
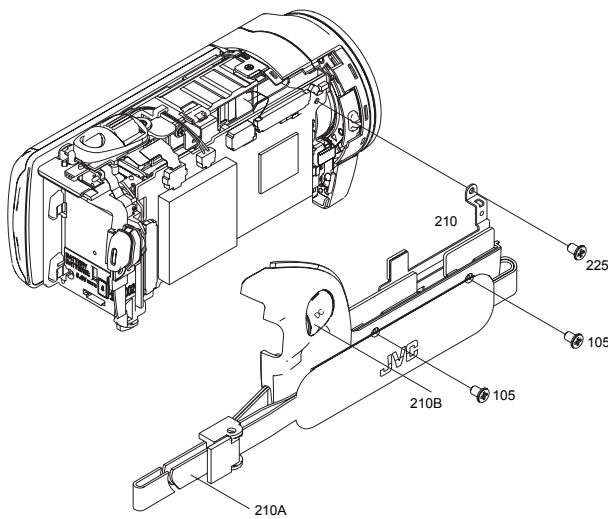
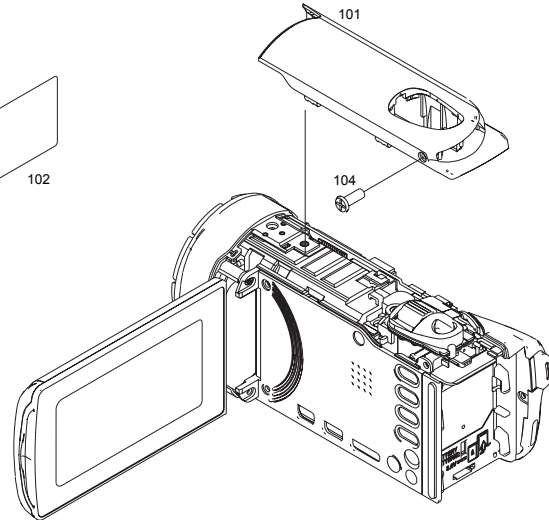
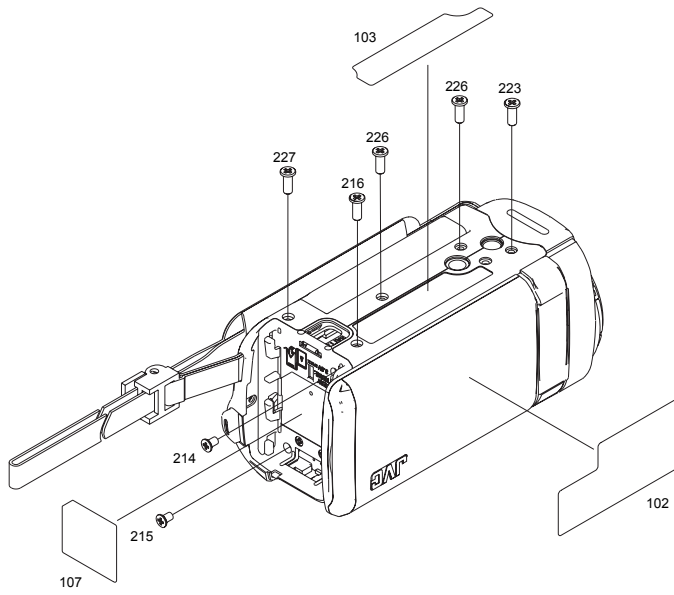
## ■ DEVIATION TOLERANCE RANGE

DEVIATION TOLERANCE RANGE									
F	G	J	K	M	N	R	H	Z	P
± 1%	± 2%	± 5%	±10%	±20%	±30%	+30% -10%	+50% -10%	+80% -20%	+100% -0%

# FINAL ASSEMBLY<M1>

The instruction manual to be provided with this product will differ according to the destination.

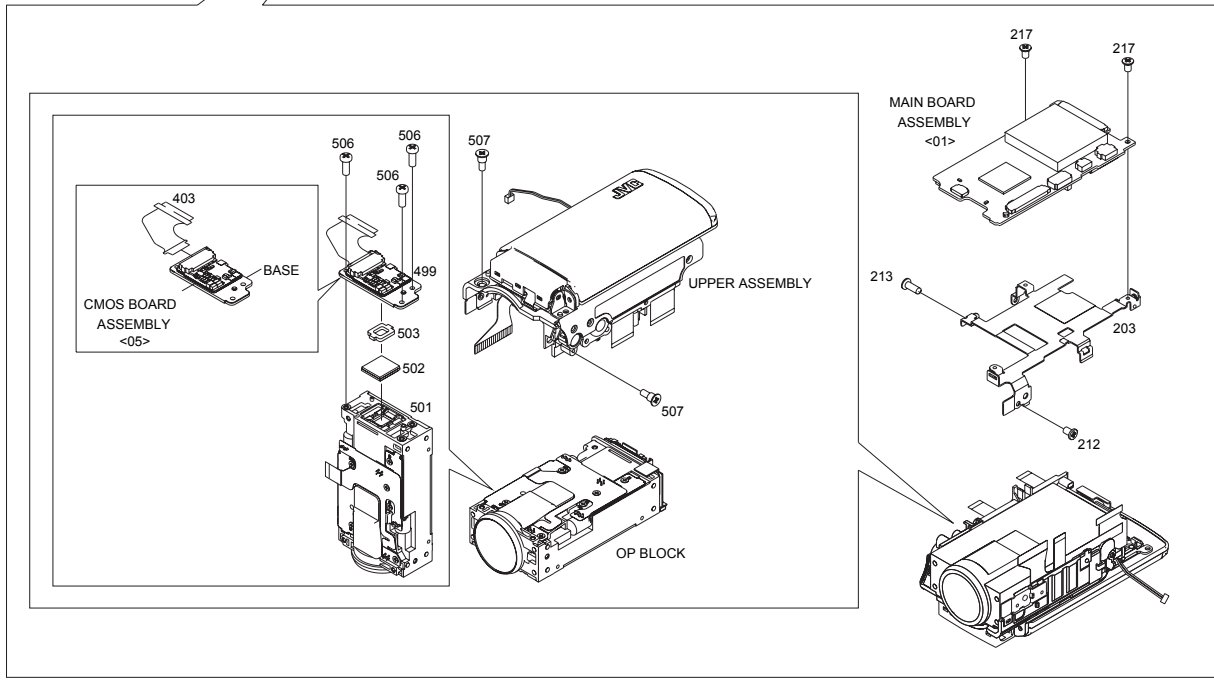
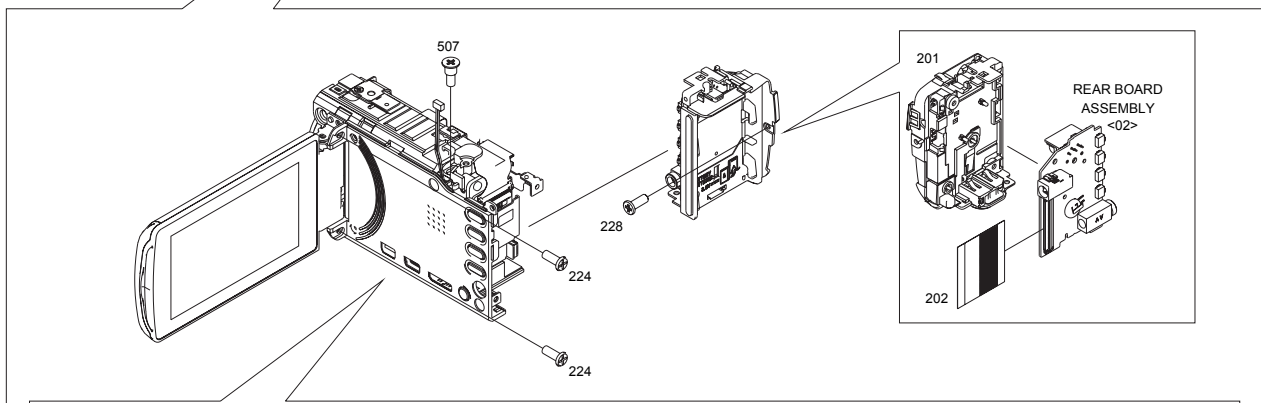
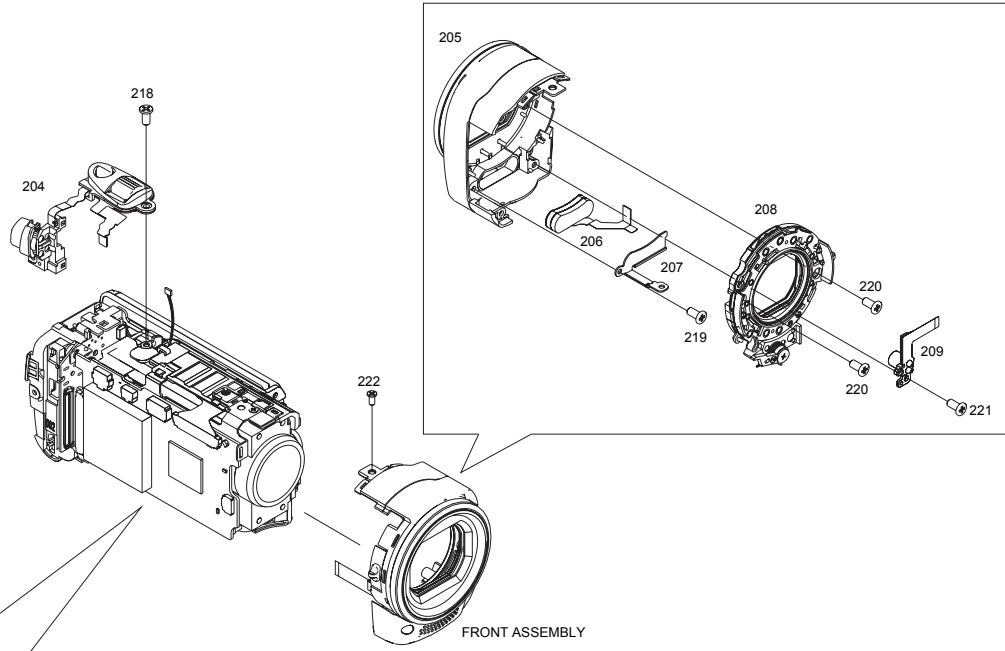
MODEL	MARK	MODEL	MARK
GZ-HM440AEU	A	GZ-HM445REK	J
GZ-HM440BEK	B	GZ-HM445REU	K
GZ-HM440BEU	C	GZ-HM445SEK	L
GZ-HM440REU	D	GZ-HM445SEU	M
GZ-HM445AEK	E	GZ-HM446AEU	N
GZ-HM445AEU	F	GZ-HM446BEU	P
GZ-HM445BEK	G	GZ-HM446REU	Q
GZ-HM445BEU	H	GZ-HM446SEU	R



# FINAL ASSEMBLY<M1>

The instruction manual to be provided with this product will differ according to the destination.

MODEL	MARK
GZ-HM440AEU	A
GZ-HM440BEK	B
GZ-HM440BEU	C
GZ-HM440REU	D
GZ-HM445AEK	E
GZ-HM445AEU	F
GZ-HM445BEK	G
GZ-HM445BEU	H
GZ-HM445REK	J
GZ-HM445REU	K
GZ-HM445SEK	L
GZ-HM445SEU	M
GZ-HM446AEU	N
GZ-HM446BEU	P
GZ-HM446REU	Q
GZ-HM446SEU	R

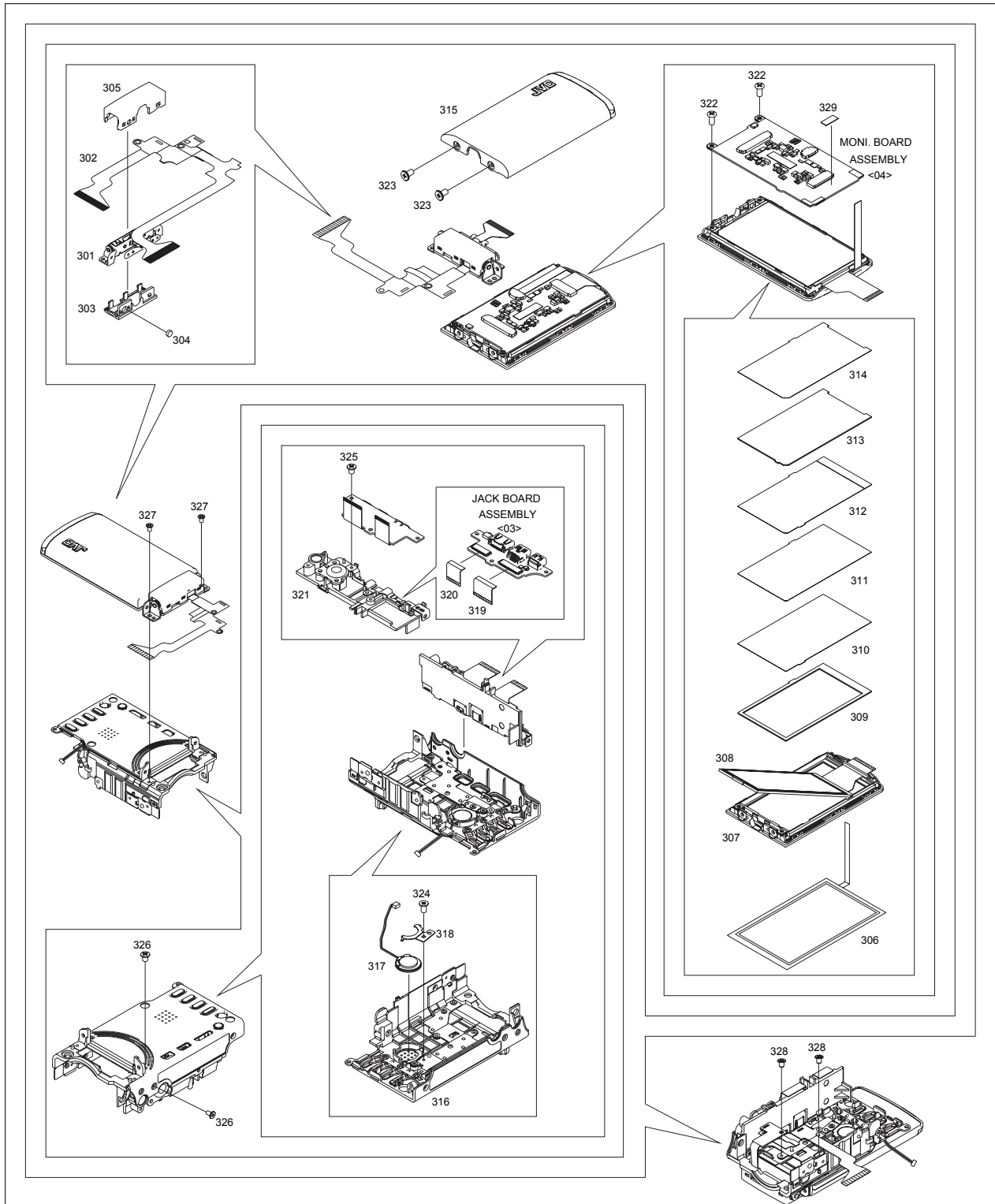


# FINAL ASSEMBLY<M1>

The instruction manual to be provided with this product will differ according to the destination.

MODEL	MARK	MODEL	MARK	MODEL	MARK	MODEL	MARK
GZ-HM440AEU	A	GZ-HM445AEK	E	GZ-HM445REK	J	GZ-HM446AEU	N
GZ-HM440BEK	B	GZ-HM445AEU	F	GZ-HM445REU	K	GZ-HM446BEU	P
GZ-HM440BEU	C	GZ-HM445BEK	G	GZ-HM445SEK	L	GZ-HM446REU	Q
GZ-HM440REU	D	GZ-HM445BEU	H	GZ-HM445SEU	M	GZ-HM446SEU	R

## UPPER ASSEMBLY



MODEL	MARK	MODEL	MARK	MODEL	MARK	MODEL	MARK
GZ-HM440AEU	A	GZ-HM440BEK	B	GZ-HM440BEU	C	GZ-HM440REU	D
GZ-HM445AEK	E	GZ-HM445AEU	F	GZ-HM445BEK	G	GZ-HM445BEU	H
GZ-HM445REK	J	GZ-HM445REU	K	GZ-HM445SEK	L	GZ-HM445SEU	M
GZ-HM446AEU	N	GZ-HM446BEU	P	GZ-HM446REU	Q	GZ-HM446SEU	R

Safe	Symbol No.	Parts No.	Parts Name	Description	QTY	Local
------	------------	-----------	------------	-------------	-----	-------

FINAL ASSEMBLY <M1MM>

	101	LY37600-004C	TOP COVER ASSY		1	A,E,F,N
	101	LY37600-001C	TOP COVER ASSY		1	B,C,G,H,P
	101	LY37600-003C	TOP COVER ASSY		1	D,J,K,Q
	101	LY37600-002C	TOP COVER ASSY		1	L,M,R
	102	-----	STICKER		1	
△	103	LY37970-043A	RATING LABEL B		1	A
△	103	LY37970-037A	RATING LABEL B		1	B
△	103	LY37970-042A	RATING LABEL B		1	C
△	103	LY37970-047A	RATING LABEL B		1	D
△	103	LY37970-045A	RATING LABEL B		1	E
△	103	LY37970-039A	RATING LABEL B		1	F
△	103	LY37970-036A	RATING LABEL B		1	G
△	103	LY37970-041A	RATING LABEL B		1	H
△	103	LY37970-050A	RATING LABEL B		1	J
△	103	LY37970-051A	RATING LABEL B		1	K
△	103	LY37970-049A	RATING LABEL B		1	L
△	103	LY37970-052A	RATING LABEL B		1	M
△	103	LY37970-044A	RATING LABEL B		1	N
△	103	LY37970-040A	RATING LABEL B		1	P
△	103	LY37970-003A	RATING LABEL B		1	Q
△	103	LY37970-053A	RATING LABEL B		1	R
	104	LY30031-0R3A	SPECIAL SCREW	TOP-REAR	1	
	105	LY30031-0R2A	SPECIAL SCREW	LOWER-BKT LOWER	2	
	107	-----	REAR LABEL B		1	
	201	LY37584-002D	REAR COVER ASSY		1	
						A,B,C,D,E,F,G,H,J,K,L,M, N,P,R
	201	LY37584-002C	REAR COVER ASSY		1	Q
	202	WJT0267-001A-E	E-CARD WIRE	REAR P-MAIN	1	
	203	-----	SHIELD(MAIN)		1	
	204	LY22199-008A	OPE UNIT		1	A,E,F,N
	204	LY22199-003A	OPE UNIT		1	B,C,G,H,P
	204	LY22199-007A	OPE UNIT		1	D,J,K,Q
	204	LY22199-004A	OPE UNIT		1	L,M,R
	205	LY22215-004C	F.COVER ASY C1B		1	A
	205	LY22215-001C	F.COVER ASY C1B		1	B,C
	205	LY22215-003C	F.COVER ASY C1B		1	D
	205	LY22215-008C	F.COVER ASY C1B		1	E,F,N
	205	LY22215-005C	F.COVER ASY C1B		1	G,H,P
	205	LY22215-007C	F.COVER ASY C1B		1	J,K,Q
	205	LY22215-006C	F.COVER ASY C1B		1	L,M,R
	206	QAN0111-001	MICROPHONE UNIT		1	
	207	-----	PLATE (MIC)		1	
	208	LY22191-001A	SHUTTER ASSY		1	
	209	LY37629-001B	FRONT LED UNIT		1	
	209	LY37629-001A	FRONT LED UNIT		1	E,F,G,H,J,K,L,M,N,P,R
	210	LY37590-008C	L.CASE ASY C1B	Inc.210A-B	1	Q
	210	LY37590-005C	L.CASE ASY C1B	Inc.210A-B	1	A,E,F,N
	210	LY37590-007C	L.CASE ASY C1B	Inc.210A-B	1	B,C,G,H,P
	210	LY37590-006C	L.CASE ASY C1B	Inc.210A-B	1	D,J,K
	210	LY37590-007B	L.CASE ASY C1B	Inc.210A-B	1	L,M,R
	210A	LY37593-001B	GRIP BELT		1	Q
	210B	LY37602-004A	COVER JACK ASSY		1	
	210B	LY37602-001A	COVER JACK ASSY		1	A,E,F,N
	210B	LY37602-003A	COVER JACK ASSY		1	B,C,G,H,P
	210B	LY37602-002A	COVER JACK ASSY		1	D,J,K,Q
	211	LY37627-001B	WINDOW (WB)		1	L,M,R
	212	LY30031-0R2A	SPECIAL SCREW	SHLD-BKT HINGE	1	
	213	LY30031-0R3A	SPECIAL SCREW	SHLD-T.HOL	1	
	214	LY30031-0R3A	SPECIAL SCREW	REAR-UPPER	1	
	215	LY30031-0R2A	SPECIAL SCREW	REAR-SHLD	1	
	216	LY30031-0R3A	SPECIAL SCREW	UPPER-T.HOLDER R	1	
	217	LY30031-0R2A	SPECIAL SCREW	M.PWB - SHLD MAIN	2	
	218	LY30031-0R1A	SPECIAL SCREW	OPE-UPPER	1	
	219	LY30031-0R1A	SPECIAL SCREW	P.MIC-FRONT	1	
	220	LY30031-0R1A	SPECIAL SCREW	SHUTTER-FRONT	2	
	221	LY30031-0R1A	SPECIAL SCREW	LED UNIT-MIC HOOD	1	E,F,G,H,J,K,L,M,N,P,Q,R
	222	LY30031-0R2A	SPECIAL SCREW	FRONT-BKT HINGE	1	
	223	LY30031-0R3A	SPECIAL SCREW	UPPER-T.HOLDER F	1	
	224	LY30031-0R3A	SPECIAL SCREW	UPPER-FRONT	2	
	225	LY30031-0R2A	SPECIAL SCREW	BKT LOWER-SHLD	1	
	226	LY30031-0R3A	SPECIAL SCREW	LOWER-T.HOLDER	2	
	227	LY30031-0R1A	SPECIAL SCREW	REAR-LOWER	1	
	228	LY30031-0R1A	SPECIAL SCREW	LOWER-REAR	1	
	229	LY30031-0R2A	SPECIAL SCREW	WIN WB-SHLD	1	
	301	LY21558-005A	HINGE UNIT		1	
	302	QAL1321-002	FPC	MONI-MAIN	1	
	303	LY37617-001A	H COVER (L)		1	
	304	-----	P.C.MAGNET		1	
	305	LY37634-001B	H COVER (U) CIB		1	
						A,B,C,D,E,F,G,H,J,K,L,N, P,R
	305	LY37634-001A	H COVER (U) CIB		1	M,Q
	306	QAL1327-001	TOUCH PANEL		1	
	307	LY37631-001B	M.CASE ASY CIB		1	
	308	QLD0670-001	LCD MODULE		1	
	309	LY37606-001A	SHEET CLEARANCE		1	

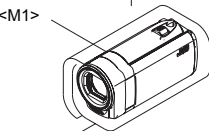
MODEL	MARK	MODEL	MARK	MODEL	MARK	MODEL	MARK
GZ-HM440AEU	A	GZ-HM440BEK	B	GZ-HM440BEU	C	GZ-HM440REU	D
GZ-HM445AEK	E	GZ-HM445AEU	F	GZ-HM445BEK	G	GZ-HM445BEU	H
GZ-HM445REK	J	GZ-HM445REU	K	GZ-HM445SEK	L	GZ-HM445SEU	M
GZ-HM446AEU	N	GZ-HM446BEU	P	GZ-HM446REU	Q	GZ-HM446SEU	R

Safe	Symbol No.	Parts No.	Parts Name	Description	QTY	Local
	310	LY38001-001A	SHEET BEFF(CIB)		1	A,B,C,D,E,F,G,H,J,K,L,M, N,P,R Q
	310	LY37607-001A	SHEET BEF(MAIN)		1	
	311	LY37620-001A	SHEET BEF(SUB)		1	
	312	LY37608-001A	SHEET (M.DIFF)		1	
	313	LY37609-001A	LIGHT GUIDE		1	
	314	LY37610-001A	SHEET (M.REF)		1	
	315	LY37632-004C	M.COVER ASY C1B		1	A,E,F,N
	315	LY37632-001C	M.COVER ASY CIB		1	B,C,G,H,P
	315	LY37632-003C	M.COVER ASY CIB		1	D,J,K
	315	LY37632-002C	M.COVER ASY CIB		1	L,M,R
	315	LY37632-003B	M.COVER ASY CIB		1	Q
	316	LY37621-003C	U.FRAME ASSY		1	
	317	QAS0619-001	SPEAKER		1	
	318	-----	BKT(SPK)		1	
	319	WJT0266-001A-E	E-CARD WIRE	24P JACKS	1	
	320	WJT0264-001A-E	E-CARD WIRE	18P HDMI F	1	
	321	LY37611-001B	T.BASE ASSY		1	
	322	LY30031-0R1A	SPECIAL SCREW	M.PWB-M.CASE	2	
	323	LY30031-0N5A	SPECIAL SCREW	M.COVER-HI	2	
	324	LY30031-0H5A	SPECIAL SCREW	BKT SPK-BKT HINGE	1	
	325	LY30031-0H5A	SPECIAL SCREW	J.PWB-J.PLATE	1	
	326	LY30031-0Q7A	SPECIAL SCREW	UPPER-T.HOLDER	2	
	327	LY30031-0Q5A	SPECIAL SCREW	HINGE-BKT	2	
	328	LY30031-0H5A	SPECIAL SCREW	MONI FPC-BKT HINGE	2	
	329	-----	SPACER(A)		1	
	403	QAL1322-001	FPC		1	
	499	LYA20082-01A	CMOS FRAME ASSY	CMOS BOARD ASSY(INCL.BASE/FPC)	1	
	501	LY37655-001B	OP BLOCK		1	
	502	-----	IR CUT FILTER		1	
	503	-----	SHEET		1	
	506	-----	TAP SCREW	M1.7 x 5mm	3	
	507	LY30032-037A	SPECIAL SCREW	UPPER-OP	3	

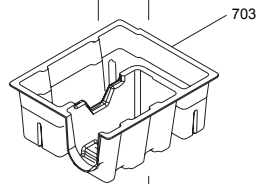
# PACKING AND ACCESSORY ASSEMBLY <M5>

MODEL	MARK
GZ-HM440AEU	A
GZ-HM440BEK	B
GZ-HM440BEU	C
GZ-HM440REU	D
GZ-HM445AEK	E
GZ-HM445AEU	F
GZ-HM445BEK	G
GZ-HM445BEU	H
GZ-HM445REK	J
GZ-HM445REU	K
GZ-HM445SEK	L
GZ-HM445SEU	M
GZ-HM446AEU	N
GZ-HM446BEU	P
GZ-HM446REU	Q
GZ-HM446SEU	R

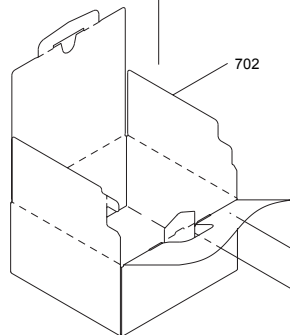
FINAL ASSEMBLY  
<M1>



701



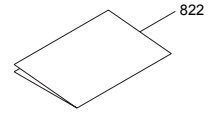
703



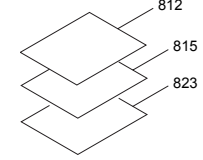
702

705

704



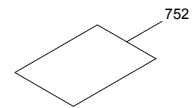
822



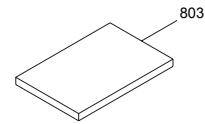
812

815

823



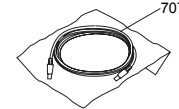
752



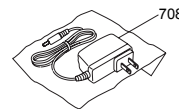
803



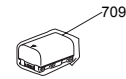
706



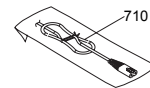
707



708



709



710



MODEL	MARK	MODEL	MARK	MODEL	MARK	MODEL	MARK
GZ-HM440AEU	A	GZ-HM440BEK	B	GZ-HM440BEU	C	GZ-HM440REU	D
GZ-HM445AEK	E	GZ-HM445AEU	F	GZ-HM445BEK	G	GZ-HM445BEU	H
GZ-HM445REK	J	GZ-HM445REU	K	GZ-HM445SEK	L	GZ-HM445SEU	M
GZ-HM446AEU	N	GZ-HM446BEU	P	GZ-HM446REU	Q	GZ-HM446SEU	R

Safe	Symbol No.	Parts No.	Parts Name	Description	QTY	Local
------	------------	-----------	------------	-------------	-----	-------

PACKING AND ACCESSORY ASSEMBLY <M5MM>

		701	-----	POLY BAG	FOR JMM	1	
		702	-----	PACKING CASE	PRODUCTION	1	A,C,D
		702	-----	PACKING CASE	PRODUCTION	1	B
		702	-----	PACKING CASE	PRODUCTION	1	E,G,J,L
		702	-----	PACKING CASE	PRODUCTION	1	F,H,K,M
		702	-----	PACKING CASE	PRODUCTION	1	N,P,Q,R
		703	-----	CUSHION		1	
		704	-----	LABEL		1	
		705	-----	LABEL(COLOR)	FOR P.CASE	1	A,E,F,N
		705	-----	LABEL(COLOR)	FOR P.CASE	1	B,C,G,H,P
		705	-----	LABEL(COLOR)	FOR P.CASE	1	D,J,K,Q
		705	-----	LABEL(COLOR)	FOR P.CASE	1	L,M,R
		706	QAM1294-001	A/V CABLE		1	A,C,D,F,H,K,M,N,P,Q,R
		706	QAM1309-001	A/V CABLE		1	B,E,G,J,L
		707	QAM1313-001	USB CABLE	(TYPE A - MINI TYPE B)	1	
△		708	QAL1316-001	AC P ADAPTOR	AC-V10E	1	A,C,D,F,H,K,M,N,P,Q,R
△		708	QAL1318-001	AC P ADAPTOR	AC-V10M	1	B,E,G,J,L
△		709	LY37167-003C	BATTERY PACK	BN-VG114E	1	
△		710	QMPP430-100-JD	POWER CORD(EK)	1m BLACK	1	B,E,G,J,L
		752	-----	WARRANTY CARD	BT-54043-1	1	
							A,B,C,D,E,F,G,H,J,K,L,M,N,P,R

		752	-----	WARRANTY CARD	BT-54042-1	1	Q
△		803	LYT2261-001A-M	INST BOOK	(GERMAN/FRENCH/SPANISH/ITALIAN)	1	A,C,D,F,H,K,M,N,P,Q,R
△		803	LYT2261-002A-M	INST BOOK	(RUSSIAN/DUTCH/PORTUGUESE/UKRAINIAN)	1	A,C,D,F,H,K,M,N,P,Q,R
△		803	LYT2261-003A-M	INST BOOK	(DANISH/FINN/SWEDISH/NORWEGIAN)	1	A,C,D,F,H,K,M,N,P,Q,R
△		803	LYT2261-004A-M	INST BOOK	(HUNGARIAN/CZECH/POLISH)	1	A,C,D,F,H,K,M,N,P,Q,R
△		803	LYT2282-001A-M	INST BOOK	(ENGLISH)	1	B,E,G,J,L
		812	-----	REGIST. CARD	YU30878	1	B,E,G,J,L
		815	-----	Q.CARD	LYT0194-001B	1	B,E,G,J,L
		822	-----	SHEET ACC. GUID	LY37677-002A	1	
		823	-----	SHEET(E-SHOP)	LY35208-001A	1	B,E,G,J,L

MAIN BOARD ASSEMBLY <01>

		PW1001	LYA10258-07B	MAIN BOARD ASSY		1	A,B,C,D
		PW1001	LYA10258-23B	MAIN BOARD ASSY		1	E,F,G,H,J,K,L,M,N,P,Q,R
		IC1001	M395FWAXG7GG1-X	IC(MICRO C ROM)	AP/MP FLASH	1	
		IC1003	CAT25128YI-G-X	IC		1	
		IC1003 or	BR25S128FVT-W-X	IC		1	
		IC1004	R5G05001N311N-X	IC(MCU)		1	
		IC2061	BU76312GUW-X	IC		1	
		IC3001	JCY0246	IC		1	
		IC3002	XC6213B312NG-X	IC		1	
		IC3003	XC8101AA01NG-X	IC		1	
		IC3003 or	XC8101AA01N-X	IC		1	
		IC3101	H5MS1G22AFR-E3M	IC		1	
		IC3202	TC58EVG0S8EBAIB	IC		1	
		IC4601	R2A30451BM-X	IC		1	
		IC6001	MAX8934EETI-X	IC		1	
		IC6002	BD9639MWW-X	IC		1	
		IC6003	XC6215B282NG-X	IC		1	
		IC6004	XC6220B271MG-X	IC		1	
		Q2462	2SC5383/EF/-X	TRANSISTOR		1	
		Q2462 or	2SC4617/RS/-X	TRANSISTOR		1	
		Q2462 or	DSC9001/R/-X	TRANSISTOR		1	
		Q2661	RT3X99M-X	TRANSISTOR		1	
		Q2662	RT1P141U-X	DIGI TRANSISTOR		1	
		Q2662 or	DTA143ZEB-X	DIGI TRANSISTOR		1	
		Q2662 or	RT1P436U-X	DIGI TRANSISTOR		1	
		Q3001	RT3T22M-X	DIGI TRANSISTOR		1	
		Q3002	RT3T22M-X	DIGI TRANSISTOR		1	
		Q3003	FK330601-X	MOS FET		1	
		Q3004	FC694601-W	MOS FET		1	
		Q4502	RT3AMMAM1/EF/-X	PAIR TRANSISTOR		1	
		Q4502 or	XP4401-W	TRANSISTOR		1	
		Q4502 or	BC856S-X	PAIR TRANSISTOR		1	
		Q4502 or	PUMT1-W	PAIR TRANSISTOR		1	
		Q4602	CPT-290S-C-X	PHOTO TRANSISTOR		1	
		Q6101	MTM13124-X	MOS FET		1	
		Q6102	RT1N432U-X	DIGI TRANSISTOR		1	
		Q6102 or	DRC9143X-X	DIGI TRANSISTOR		1	
		Q6105	RT3T22M-X	DIGI TRANSISTOR		1	
		Q6903	RT1N432U-X	DIGI TRANSISTOR		1	
		Q6904	FK330601-X	MOS FET		1	
		Q6907	RT1P44HU-X	DIGI TRANSISTOR		1	
		Q6908	FK330601-X	MOS FET		1	
		Q9001	RT3CLLM/EF/-X	TRANSISTOR		1	E,F,G,H,J,K,L,M,N,P,Q,R
		Q9001 or	UMX1N-W	PAIR TRANSISTOR		1	E,F,G,H,J,K,L,M,N,P,Q,R
		D6101	DB22320-X	SB DIODE		1	
		D6901	DA3S103E-X	SI DIODE		1	
		C1004	NCBA1AK-104W	C CAPACITOR	0.1uF 10V K	1	
		C1009	NCBA1AK-104W	C CAPACITOR	0.1uF 10V K	1	
		C1010	NCBA1AK-104W	C CAPACITOR	0.1uF 10V K	1	
		C1012	NCBA1AK-104W	C CAPACITOR	0.1uF 10V K	1	
		C1020	NCB31CK-104X	C CAPACITOR	0.1uF 16V	1	

MODEL	MARK	MODEL	MARK	MODEL	MARK	MODEL	MARK
GZ-HM440AEU	A	GZ-HM440BEK	B	GZ-HM440BEU	C	GZ-HM440REU	D
GZ-HM445AEK	E	GZ-HM445AEU	F	GZ-HM445BEK	G	GZ-HM445BEU	H
GZ-HM445REK	J	GZ-HM445REU	K	GZ-HM445SEK	L	GZ-HM445SEU	M
GZ-HM446AEU	N	GZ-HM446BEU	P	GZ-HM446REU	Q	GZ-HM446SEU	R

Safe	Symbol No.	Parts No.	Parts Name	Description	QTY	Local
	C1021	NCBA1AK-104W	C CAPACITOR	0.1uF 10V K	1	
	C2161	NCBA1CK-153W	C CAPACITOR	0.015uF 16V K	1	
	C2162	NCBA1CK-153W	C CAPACITOR	0.015uF 16V K	1	
	C2163	NCBA1CK-103W	C CAPACITOR	0.01uF 16V K	1	
	C2164	NCBA1CK-103W	C CAPACITOR	0.01uF 16V K	1	
	C2165	NCB31CK-105X	C CAPACITOR	1uF 16V K	1	
	C2166	NCB31CK-105X	C CAPACITOR	1uF 16V K	1	
	C2263	NCBA1CK-103W	C CAPACITOR	0.01uF 16V K	1	
	C2264	NCBA1CK-103W	C CAPACITOR	0.01uF 16V K	1	
	C2361	NCB31CK-105X	C CAPACITOR	1uF 16V K	1	
	C2363	NCBA1CK-104W	C CAPACITOR	0.1uF 16V K	1	
	C2462	NCB20JK-106X	C CAPACITOR	10uF 6.3V K	1	
	C2463	NCB20JK-106X	C CAPACITOR	10uF 6.3V K	1	
	C2464	NCB20JK-106X	C CAPACITOR	10uF 6.3V K	1	
	C2465	NCBA1CK-104W	C CAPACITOR	0.1uF 16V K	1	
	C2661	NCB31CK-105X	C CAPACITOR	1uF 16V K	1	
	C2662	NCB31CK-105X	C CAPACITOR	1uF 16V K	1	
	C3001	NCBA1AK-104W	C CAPACITOR	0.1uF 10V K	1	
	C3002	NCBA1AK-104W	C CAPACITOR	0.1uF 10V K	1	
	C3003	NCBA1AK-104W	C CAPACITOR	0.1uF 10V K	1	
	C3007	NCBA1AK-104W	C CAPACITOR	0.1uF 10V K	1	
	C3008	NCBA1AK-104W	C CAPACITOR	0.1uF 10V K	1	
	C3009	NCBA1AK-104W	C CAPACITOR	0.1uF 10V K	1	
	C3011	NCBA1AK-104W	C CAPACITOR	0.1uF 10V K	1	
	C3012	NCBA1AK-104W	C CAPACITOR	0.1uF 10V K	1	
	C3013	NCBA1AK-104W	C CAPACITOR	0.1uF 10V K	1	
	C3014	NCBA1AK-104W	C CAPACITOR	0.1uF 10V K	1	
	C3015	NCB31CK-104X	C CAPACITOR	0.1uF 16V	1	
	C3016	NCBA1AK-104W	C CAPACITOR	0.1uF 10V K	1	
	C3024	NCBA1AK-104W	C CAPACITOR	0.1uF 10V K	1	
	C3026	NCBA1AK-104W	C CAPACITOR	0.1uF 10V K	1	
	C3028	NCB20JK-106X	C CAPACITOR	10uF 6.3V K	1	
	C3032	NCB31CK-105X	C CAPACITOR	1uF 16V K	1	
	C3041	NCBA1AK-104W	C CAPACITOR	0.1uF 10V K	1	
	C3042	NCBA1AK-104W	C CAPACITOR	0.1uF 10V K	1	
	C3045	NCBA1AK-104W	C CAPACITOR	0.1uF 10V K	1	
	C3047	NCBA1AK-104W	C CAPACITOR	0.1uF 10V K	1	
	C3048	NCBA1AK-104W	C CAPACITOR	0.1uF 10V K	1	
	C3050	NCBA1AK-104W	C CAPACITOR	0.1uF 10V K	1	
	C3054	NCB20JK-106X	C CAPACITOR	10uF 6.3V K	1	
	C3059	NCB31CK-105X	C CAPACITOR	1uF 16V K	1	
	C3060	NCBA0JK-224W	C CAPACITOR	0.22uF 6.3V K	1	
	C3072	NCB20JK-106X	C CAPACITOR	10uF 6.3V K	1	
	C3075	NCB20JK-106X	C CAPACITOR	10uF 6.3V K	1	
	C3076	NCBA1AK-104W	C CAPACITOR	0.1uF 10V K	1	
	C3101	NCBA1AK-104W	C CAPACITOR	0.1uF 10V K	1	
	C3102	NCBA1AK-104W	C CAPACITOR	0.1uF 10V K	1	
	C3103	NCBA1AK-104W	C CAPACITOR	0.1uF 10V K	1	
	C3104	NCBA1AK-104W	C CAPACITOR	0.1uF 10V K	1	
	C3461	NCB20JK-106X	C CAPACITOR	10uF 6.3V K	1	
	C3761	NCB31CK-105X	C CAPACITOR	1uF 16V K	1	
	C4604	NCB20JK-106X	C CAPACITOR	10uF 6.3V K	1	
	C6001	NCBA1CK-103W	C CAPACITOR	0.01uF 16V K	1	
	C6009	NCBA1CK-103W	C CAPACITOR	0.01uF 16V K	1	
	C6101	NCB20JK-106X	C CAPACITOR	10uF 6.3V K	1	
	C6102	NCB31CK-105X	C CAPACITOR	1uF 16V K	1	
	C6105	NCB20JK-106X	C CAPACITOR	10uF 6.3V K	1	
	C6106	NCB20JK-106X	C CAPACITOR	10uF 6.3V K	1	
	C6108	NDCA1HJ-101W	C CAPACITOR	100pF 50V J	1	
	C6201	NCB20JK-106X	C CAPACITOR	10uF 6.3V K	1	
	C6202	NCJ30JM-106X-A	C CAPACITOR	10uF 6.3V M	1	
	C6203	NCJ30JM-106X-A	C CAPACITOR	10uF 6.3V M	1	
	C6204	NDCA1HJ-330W	C CAPACITOR	33pF 50V J	1	
	C6301	NCB20JK-106X	C CAPACITOR	10uF 6.3V K	1	
	C6303	NCB20JK-106X	C CAPACITOR	10uF 6.3V K	1	
	C6304	NDCA1HJ-101W	C CAPACITOR	100pF 50V J	1	
	C6305	NCB31CK-105X	C CAPACITOR	1uF 16V K	1	
	C6306	NCB31CK-105X	C CAPACITOR	1uF 16V K	1	
	C6401	NCB20JK-106X	C CAPACITOR	10uF 6.3V K	1	
	C6402	NCB20JK-106X	C CAPACITOR	10uF 6.3V K	1	
	C6403	NCB20JK-106X	C CAPACITOR	10uF 6.3V K	1	
	C6501	NCB31CK-105X	C CAPACITOR	1uF 16V K	1	
	C6502	NCB20JK-106X	C CAPACITOR	10uF 6.3V K	1	
	C6503	NDCA1HJ-101W	C CAPACITOR	100pF 50V J	1	
	C6601	NRSA02J-0R0X	MG RESISTOR	0Ω 1/10W J	1	
	C6901	NCB20JK-106X	C CAPACITOR	10uF 6.3V K	1	
	C6903	NCB20JK-475X	C CAPACITOR	4.7uF 6.3V K	1	
	C6904	NCB20JK-475X	C CAPACITOR	4.7uF 6.3V K	1	
	C6905	NCB31CK-105X	C CAPACITOR	1uF 16V K	1	
	C6906	NCBA1AK-104W	C CAPACITOR	0.1uF 10V K	1	
	C6907	NCB31CK-105X	C CAPACITOR	1uF 16V K	1	
	C6909	NCB31CK-105X	C CAPACITOR	1uF 16V K	1	
	C6910	NCB20JK-475X	C CAPACITOR	4.7uF 6.3V K	1	
	C9001	NCBA1AK-104W	C CAPACITOR	0.1uF 10V K	1	
	C9005	NCBA1AK-104W	C CAPACITOR	0.1uF 10V K	1	
	C9010	NCB20JK-475X	C CAPACITOR	4.7uF 6.3V K	1	
	C9015	NCB20JK-106X	C CAPACITOR	10uF 6.3V K	1	
	C9016	NCBA1AK-104W	C CAPACITOR	0.1uF 10V K	1	

MODEL	MARK	MODEL	MARK	MODEL	MARK	MODEL	MARK
GZ-HM440AEU	A	GZ-HM440BEK	B	GZ-HM440BEU	C	GZ-HM440REU	D
GZ-HM445AEK	E	GZ-HM445AEU	F	GZ-HM445BEK	G	GZ-HM445BEU	H
GZ-HM445REK	J	GZ-HM445REU	K	GZ-HM445SEK	L	GZ-HM445SEU	M
GZ-HM446AEU	N	GZ-HM446BEU	P	GZ-HM446REU	Q	GZ-HM446SEU	R

Safe	Symbol No.	Parts No.	Parts Name	Description	QTY	Local
	C9017	NCBA1AK-104W	C CAPACITOR	0.1uF 10V K	1	
	R1002	NRSA6AJ-105W	MG RESISTOR	1MΩ 1/16W J	1	
	R1005	NRSA6AJ-473W	MG RESISTOR	47kΩ 1/16W J	1	
	R1006	NRSA6AJ-102W	MG RESISTOR	1kΩ 1/16W J	1	
	R1011	NRSA6AJ-102W	MG RESISTOR	1kΩ 1/16W J	1	
	R1012	NRSA6AJ-104W	MG RESISTOR	100kΩ 1/16W J	1	
	R1013	NRSA6AJ-102W	MG RESISTOR	1kΩ 1/16W J	1	
	R1014	NRSA6AJ-103W	MG RESISTOR	10kΩ 1/16W J	1	
	R1017	NRSA6AJ-331W	MG RESISTOR	330Ω 1/16W J	1	
	R1018	NRSA6AJ-331W	MG RESISTOR	330Ω 1/16W J	1	
	R1022	NRSA6AJ-103W	MG RESISTOR	10kΩ 1/16W J	1	
	R1024	NRSA6AJ-101W	MG RESISTOR	100Ω 1/16W J	1	
	R1025	NRSA6AJ-101W	MG RESISTOR	100Ω 1/16W J	1	
	R1026	NRSA6AJ-101W	MG RESISTOR	100Ω 1/16W J	1	
	R1027	NRSA6AJ-471W	MG RESISTOR	470Ω 1/16W J	1	
	R1028	NRSA6AJ-101W	MG RESISTOR	100Ω 1/16W J	1	
	R1030	NRSA6AJ-102W	MG RESISTOR	1kΩ 1/16W J	1	
	R1032	NRSA6AJ-103W	MG RESISTOR	10kΩ 1/16W J	1	
	R1034	NRSA6AJ-105W	MG RESISTOR	1MΩ 1/16W J	1	
	R1035	NRSA6AJ-104W	MG RESISTOR	100kΩ 1/16W J	1	
	R1053	NRSA6AJ-474W	MG RESISTOR	470kΩ 1/16W J	1	
	R1061	NRSA6AJ-474W	MG RESISTOR	470kΩ 1/16W J	1	
	R1090	NRSA6AJ-102W	MG RESISTOR	1kΩ 1/16W J	1	
	R2161	NRSA6AJ-222W	MG RESISTOR	2.2kΩ 1/16W J	1	
	R2162	NRSA6AJ-222W	MG RESISTOR	2.2kΩ 1/16W J	1	
	R2462	NRSA6AJ-472W	MG RESISTOR	4.7kΩ 1/16W J	1	
	R2463	NRSA6AJ-183W	MG RESISTOR	18kΩ 1/16W J	1	
	R2464	NRSA6AJ-100W	MG RESISTOR	10Ω 1/16W J	1	
	R2661	NRSA6AJ-821W	MG RESISTOR	820Ω 1/16W J	1	
	R2662	NRSA6AJ-821W	MG RESISTOR	820Ω 1/16W J	1	
	R2663	NRSA6AJ-564W	MG RESISTOR	560kΩ 1/16W J	1	
	R2664	NRSA6AJ-564W	MG RESISTOR	560kΩ 1/16W J	1	
	R3002	NRSA6AJ-102W	MG RESISTOR	1kΩ 1/16W J	1	
	R3004	NRSA6AJ-223W	MG RESISTOR	22kΩ 1/16W J	1	
	R3005	NRSA6AJ-223W	MG RESISTOR	22kΩ 1/16W J	1	
	R3007	NRSA6AJ-102W	MG RESISTOR	1kΩ 1/16W J	1	
	R3010	NRSA6AJ-102W	MG RESISTOR	1kΩ 1/16W J	1	
	R3017	NRSA6AJ-102W	MG RESISTOR	1kΩ 1/16W J	1	
	R3020	NRSA6AD-512W	MG RESISTOR	5.1kΩ 1/16W D	1	
	R3021	NRSA6AD-123W	MG RESISTOR	12kΩ 1/16W D	1	
	R3022	NRSA6AD-151W	MG RESISTOR	150Ω 1/16W D	1	
	R3023	NRSA6AD-153W	MG RESISTOR	15kΩ 1/16W D	1	
	R3024	NRSA6AD-113W	MG RESISTOR	11kΩ 1/16W D	1	
	R3025	NRSA6AD-332W	MG RESISTOR	3.3kΩ 1/16W D	1	
	R3028	NRSA6AJ-101W	MG RESISTOR	100Ω 1/16W J	1	
	R3030	NRSA6AJ-101W	MG RESISTOR	100Ω 1/16W J	1	
	R3031	NRSA6AJ-101W	MG RESISTOR	100Ω 1/16W J	1	
	R3032	NRSA6AJ-101W	MG RESISTOR	100Ω 1/16W J	1	
	R3033	NRSA6AJ-101W	MG RESISTOR	100Ω 1/16W J	1	
	R3034	NRSA6AJ-101W	MG RESISTOR	100Ω 1/16W J	1	
	R3035	NRSA6AJ-101W	MG RESISTOR	100Ω 1/16W J	1	
	R3036	NRSA6AJ-101W	MG RESISTOR	100Ω 1/16W J	1	
	R3039	NRSA6AJ-0R0W	MG RESISTOR	0Ω 1/16W J	1	
	R3048	NRSA6AJ-273W	MG RESISTOR	27kΩ 1/16W J	1	
	R3052	NRSA6AJ-222W	MG RESISTOR	2.2kΩ 1/16W J	1	
	R3053	NRSA6AJ-222W	MG RESISTOR	2.2kΩ 1/16W J	1	
	R3054	NRSA6AJ-222W	MG RESISTOR	2.2kΩ 1/16W J	1	
	R3057	NRSA6AJ-222W	MG RESISTOR	2.2kΩ 1/16W J	1	
	R3058	NRSA6AJ-473W	MG RESISTOR	47kΩ 1/16W J	1	
	R3061	NRSA6AJ-0R0W	MG RESISTOR	0Ω 1/16W J	1	
	R3065	NRSA6AJ-100W	MG RESISTOR	10Ω 1/16W J	1	
	R3068	NRSA6AJ-0R0W	MG RESISTOR	0Ω 1/16W J	1	
	R3069	NRSA6AJ-102W	MG RESISTOR	1kΩ 1/16W J	1	
	R3070	NRSA6AJ-102W	MG RESISTOR	1kΩ 1/16W J	1	
	R3074	NRSA6AJ-0R0W	MG RESISTOR	0Ω 1/16W J	1	
	R3079	NRSA6AJ-100W	MG RESISTOR	10Ω 1/16W J	1	
	R3081	NRSA6AJ-100W	MG RESISTOR	10Ω 1/16W J	1	
	R3088	NRSA6AJ-103W	MG RESISTOR	10kΩ 1/16W J	1	
	R3096	NRSA6AJ-0R0W	MG RESISTOR	0Ω 1/16W J	1	
	R3097	NRSA6AJ-102W	MG RESISTOR	1kΩ 1/16W J	1	
	R3098	NRSA6AJ-100W	MG RESISTOR	10Ω 1/16W J	1	
	R3128	NRSA6AJ-152W	MG RESISTOR	1.5kΩ 1/16W J	1	
	R3129	NRSA6AJ-153W	MG RESISTOR	15kΩ 1/16W J	1	
	R3130	NRSA6AJ-153W	MG RESISTOR	15kΩ 1/16W J	1	
	R3131	NRSA6AJ-393W	MG RESISTOR	39kΩ 1/16W J	1	
	R3132	NRSA6AJ-393W	MG RESISTOR	39kΩ 1/16W J	1	
	R3133	NRSA6AJ-473W	MG RESISTOR	47kΩ 1/16W J	1	
	R3134	NRSA6AJ-222W	MG RESISTOR	2.2kΩ 1/16W J	1	
	R3135	NRSA6AJ-222W	MG RESISTOR	2.2kΩ 1/16W J	1	
	R3246	NRSA6AD-750W	MG RESISTOR	75Ω 1/16W D	1	
	R3507	NRSA6AJ-101W	MG RESISTOR	100Ω 1/16W J	1	
	R4606	NRSA6AJ-331W	MG RESISTOR	330Ω 1/16W J	1	
	R4607	NRSA6AJ-331W	MG RESISTOR	330Ω 1/16W J	1	
	R4608	NRSA6AJ-121W	MG RESISTOR	120Ω 1/16W J	1	
	R4609	NRSA6AJ-121W	MG RESISTOR	120Ω 1/16W J	1	
	R4680	NRSA6AJ-103W	MG RESISTOR	10kΩ 1/16W J	1	
	R6001	NRSA6AD-103W	MG RESISTOR	10kΩ 1/16W D	1	

MODEL	MARK	MODEL	MARK	MODEL	MARK	MODEL	MARK
GZ-HM440AEU	A	GZ-HM440BEK	B	GZ-HM440BEU	C	GZ-HM440REU	D
GZ-HM445AEK	E	GZ-HM445AEU	F	GZ-HM445BEK	G	GZ-HM445BEU	H
GZ-HM445REK	J	GZ-HM445REU	K	GZ-HM445SEK	L	GZ-HM445SEU	M
GZ-HM446AEU	N	GZ-HM446BEU	P	GZ-HM446REU	Q	GZ-HM446SEU	R

Safe	Symbol No.	Parts No.	Parts Name	Description	QTY	Local
	R6002	NRSA6AD-624W	MG RESISTOR	620kΩ 1/16W D	1	
	R6003	NRSA6AD-434W	MG RESISTOR	430kΩ 1/16W D	1	
	R6004	NRSA6AD-684W	MG RESISTOR	680kΩ 1/16W D	1	
	R6005	NRSA6AD-564W	MG RESISTOR	560kΩ 1/16W D	1	
	R6101	NRSA6AJ-100W	MG RESISTOR	10Ω 1/16W J	1	
	R6102	NRSA6AD-624W	MG RESISTOR	620kΩ 1/16W D	1	
	R6103	NRSA6AD-243W	MG RESISTOR	24kΩ 1/16W D	1	
	R6104	NRSA6AD-563W	MG RESISTOR	56kΩ 1/16W D	1	
	R6108	NRSA6AJ-104W	MG RESISTOR	100kΩ 1/16W J	1	
	R6109	NRSA6AJ-185W	MG RESISTOR	1.8MΩ 1/16W J	1	
	R6201	NRSA6AD-513W	MG RESISTOR	51kΩ 1/16W D	1	
	R6202	NRSA6AD-104W	MG RESISTOR	100kΩ 1/16W D	1	
	R6203	NRSA6AD-432W	MG RESISTOR	4.3kΩ 1/16W D	1	
	R6301	NRSA6AD-104W	MG RESISTOR	100kΩ 1/16W D	1	
	R6302	NRSA6AD-153W	MG RESISTOR	15kΩ 1/16W D	1	
	R6303	NRSA6AD-152W	MG RESISTOR	1.5kΩ 1/16W D	1	
	R6402	NRSA6AJ-333W	MG RESISTOR	33kΩ 1/16W J	1	
	R6403	NRSA6AJ-153W	MG RESISTOR	15kΩ 1/16W J	1	
	R6501	NRSA6AD-162W	MG RESISTOR	1.6kΩ 1/16W D	1	
	R6502	NRSA6AD-273W	MG RESISTOR	27kΩ 1/16W D	1	
	R6503	NRSA6AD-104W	MG RESISTOR	100kΩ 1/16W D	1	
	R6601	NRSA6AJ-0R0W	MG RESISTOR	0Ω 1/16W J	1	
	R6602	NRSA6AJ-0R0W	MG RESISTOR	0Ω 1/16W J	1	
	R6901	NRSA6AD-103W	MG RESISTOR	10kΩ 1/16W D	1	
	R6902	NRSA6AD-152W	MG RESISTOR	1.5kΩ 1/16W D	1	
	R6903	NRSA6AD-133W	MG RESISTOR	13kΩ 1/16W D	1	
	R6907	NRSA6AD-564W	MG RESISTOR	560kΩ 1/16W D	1	
	R6908	NRSA6AD-224W	MG RESISTOR	220kΩ 1/16W D	1	
	R6913	NRSA6AD-622W	MG RESISTOR	6.2kΩ 1/16W D	1	
	R6922	NRSA6AJ-105W	MG RESISTOR	1MΩ 1/16W J	1	
	R9001	NRSA6AJ-682W	MG RESISTOR	6.8kΩ 1/16W J	1	
	R9002	NRSA6AJ-223W	MG RESISTOR	22kΩ 1/16W J	1	
	R9003	NRSA6AJ-104W	MG RESISTOR	100kΩ 1/16W J	1	
	R9004	NRSA6AJ-104W	MG RESISTOR	100kΩ 1/16W J	1	
	R9005	NRSA6AJ-332W	MG RESISTOR	3.3kΩ 1/16W J	1	E,F,G,H,J,K,L,M,N,P,Q,R
	R9006	NRSA6AJ-220W	MG RESISTOR	22Ω 1/16W J	1	E,F,G,H,J,K,L,M,N,P,Q,R
	R9007	NRSA6AJ-152W	MG RESISTOR	1.5kΩ 1/16W J	1	E,F,G,H,J,K,L,M,N,P,Q,R
	R9011	NRSA6AJ-101W	MG RESISTOR	100Ω 1/16W J	1	E,F,G,H,J,K,L,M,N,P,Q,R
	R9012	NRSA6AJ-101W	MG RESISTOR	100Ω 1/16W J	1	
	R9013	NRSA6AJ-101W	MG RESISTOR	100Ω 1/16W J	1	
	R9014	NRSA6AJ-0R0W	MG RESISTOR	0Ω 1/16W J	1	
	R9015	NRSA6AJ-101W	MG RESISTOR	100Ω 1/16W J	1	
	R9016	NRSA6AJ-101W	MG RESISTOR	100Ω 1/16W J	1	
	R9017	NRSA6AJ-0R0W	MG RESISTOR	0Ω 1/16W J	1	
	R9018	NRSA6AJ-103W	MG RESISTOR	10kΩ 1/16W J	1	
	R9019	NRSA6AJ-0R0W	MG RESISTOR	0Ω 1/16W J	1	
	R9020	NRSA6AJ-101W	MG RESISTOR	100Ω 1/16W J	1	
	R9021	NRSA6AJ-101W	MG RESISTOR	100Ω 1/16W J	1	
	R9022	NRSA6AJ-101W	MG RESISTOR	100Ω 1/16W J	1	
	R9023	NRSA6AJ-0R0W	MG RESISTOR	0Ω 1/16W J	1	
	R9024	NRSA6AJ-101W	MG RESISTOR	100Ω 1/16W J	1	
	R9025	NRSA6AJ-101W	MG RESISTOR	100Ω 1/16W J	1	
	R9026	NRSA6AJ-103W	MG RESISTOR	10kΩ 1/16W J	1	
	R9027	NRSA6AJ-0R0W	MG RESISTOR	0Ω 1/16W J	1	
	R9028	NRSA6AJ-0R0W	MG RESISTOR	0Ω 1/16W J	1	
	R9029	NRSA6AJ-0R0W	MG RESISTOR	0Ω 1/16W J	1	
	R9031	NRSA6AJ-0R0W	MG RESISTOR	0Ω 1/16W J	1	
	R9032	NRSA6AJ-0R0W	MG RESISTOR	0Ω 1/16W J	1	
	R9034	NRSA6AJ-0R0W	MG RESISTOR	0Ω 1/16W J	1	
	R9035	NRSA6AJ-0R0W	MG RESISTOR	0Ω 1/16W J	1	
	R9036	NRSA6AJ-0R0W	MG RESISTOR	0Ω 1/16W J	1	
	R9037	NRSA63J-0R0X	MG RESISTOR	0Ω 1/10W J	1	
	R9038	NRSA63J-0R0X	MG RESISTOR	0Ω 1/10W J	1	
	R9040	NRSA6AJ-472W	MG RESISTOR	4.7kΩ 1/16W J	1	
	R9044	NRSA6AJ-0R0W	MG RESISTOR	0Ω 1/16W J	1	
	RA1001	NRB04CJ-103W	NET RESISTOR	10kΩ J	1	
	RA1002	NRB04CJ-102W	NET RESISTOR	1kΩ J	1	
	RA1003	NRB04CJ-474W	NET RESISTOR	470kΩ J	1	
	RA1004	NRB04CJ-474W	NET RESISTOR	470kΩ J	1	
	RA3002	NRB04CJ-100W	NET RESISTOR	10Ω J	1	
	RA3003	NRB04CJ-100W	NET RESISTOR	10Ω J	1	
	RA3004	NRB04CJ-0R0W	NET RESISTOR	0Ω J	1	
	RA3008	NRB04CJ-0R0W	NET RESISTOR	0Ω J	1	
	RA3009	NRB04CJ-102W	NET RESISTOR	1kΩ J	1	
	RA3010	NRB04CJ-0R0W	NET RESISTOR	0Ω J	1	
	RA3011	NRB04CJ-472W	NET RESISTOR	4.7kΩ J	1	
	RA9001	NRB04CJ-473W	NET RESISTOR	47kΩ J	1	
	RA9002	NRB04CJ-473W	NET RESISTOR	47kΩ J	1	
	L2461	NQLJ93M-100X	COIL	10uH M	1	
	L2462	NQLJ93M-100X	COIL	10uH M	1	
	L3001	NQR0679-003X	CHOKO COIL		1	
	L3002	NQR0679-003X	CHOKO COIL		1	
	L3461	NQLJ93M-100X	COIL	10uH M	1	
	L4601	NQR0573-005X	FERRITE BEADS		1	
	L6101	NQLG4EN-2R3X	COIL	2.3uH N	1	
	L6201	NQLG4EN-2R3X	COIL	2.3uH N	1	
	L6301	NQLK25N-4R7X	COIL	4.7uH N	1	
	L6401	NQLK25N-3R3X	COIL	3.3uH N	1	

MODEL	MARK	MODEL	MARK	MODEL	MARK	MODEL	MARK
GZ-HM440AEU	A	GZ-HM440BEK	B	GZ-HM440BEU	C	GZ-HM440REU	D
GZ-HM445AEK	E	GZ-HM445AEU	F	GZ-HM445BEK	G	GZ-HM445BEU	H
GZ-HM445REK	J	GZ-HM445REU	K	GZ-HM445SEK	L	GZ-HM445SEU	M
GZ-HM446AEU	N	GZ-HM446BEU	P	GZ-HM446REU	Q	GZ-HM446SEU	R

Safe	Symbol No.	Parts No.	Parts Name	Description	QTY	Local
	L6501	NQLK25N-6R8X	COIL	6.8uH N	1	
	L9001	NQR0654-001X	EMI FILTER		1	
	L9002	NQR0022-004X	FERRITE BEADS		1	
	CN4602	QGF0543F3-14X	CONNECTOR	FFC/FPC (1-14)	1	
	CN9001	QGF0528F4-40X	CONNECTOR	FFC/FPC (1-40)	1	
	CN9002	QGF0534F5-06X	CONNECTOR	FFC/FPC (1-6)	1	
	CN9003	QGB0519J1-30X	CONNECTOR	B-B (1-30)	1	
	CN9004	QGF0543F3-18X	CONNECTOR	FFC/FPC (1-18)	1	
	CN9006	QGF0543F3-06X	CONNECTOR	FFC/FPC (1-6)	1	E,F,G,H,J,K,L,M,N,P,Q,R
	CN9007	QGA1001F1-02X	CONNECTOR	W-B (1-2)	1	
	CN9008	QGF0543F3-06X	CONNECTOR	FFC/FPC (1-6)	1	
	CN9009	NNZ0255-001X	SD CARD CONNE		1	
	CN9010	NNZ0255-001X	SD CARD CONNE		1	
	CN9012	QGF0528F4-34X	CONNECTOR	FFC/FPC (1-34)	1	
	CN9013	QGF0543F3-24X	CONNECTOR	FFC/FPC (1-24)	1	
	CN9014	QGF0543F3-15X	CONNECTOR	FFC/FPC (1-15)	1	
	K2101	NQR0286-009X	FERRITE BEADS		1	
	K2102	NQR0286-009X	FERRITE BEADS		1	
	K2103	NRSA6AJ-0R0W	MG RESISTOR	0Ω 1/16W J	1	
	K3001	NQR0499-001X	FERRITE BEADS		1	
	K3002	NQR0499-001X	FERRITE BEADS		1	
	K3004	NQR0154-004X	FERRITE CORE		1	
	K3006	NQR0286-009X	FERRITE BEADS		1	
	K3009	NQR0286-009X	FERRITE BEADS		1	
	LC3001	NQR0652-001X	EMI FILTER		1	
	TH9001	NAD0048-473X	N THERMISTOR	47kΩ	1	
	TP9001	NNZ0163-001X	EARTH TERMINAL		1	
	X1001	NAX0491-001X	CRYSTAL	32.768kHz	1	
	X3001	NAX1118-001X	C RESONATOR		1	
<b>REAR BOARD ASSEMBLY &lt;02&gt;</b>						
	PW601	LYA20080-04B1	REAR BOARD ASSY		1	
	IC601	XC6215B332NG-X	IC		1	
	IC901	NAL0094-001X	GYRO SENSOR		1	
	D601	DZ2J068/M/-X	Z DIODE		1	
	D604	DZ2J068/M/-X	Z DIODE		1	
	D605	DZ2J068/M/-X	Z DIODE		1	
	D606	DB2J314-X	SB DIODE		1	
	D609	DB22320-X	SB DIODE		1	
	D611	LNJ326W83-X	LED		1	
	D612	SML-D12V8W/PQ-X	LED		1	
	C601	NCBA1HK-102W	C CAPACITOR	1000pF 50V K	1	
	C602	NCBA1HK-102W	C CAPACITOR	1000pF 50V K	1	
	C607	NCBA1AK-104W	C CAPACITOR	0.1uF 10V K	1	
	C609	NCB31CK-105X	C CAPACITOR	1uF 16V K	1	
	C610	NCB31CK-105X	C CAPACITOR	1uF 16V K	1	
	C901	NCBA1CK-103W	C CAPACITOR	0.01uF 16V K	1	
	C902	NCB31EK-473X	C CAPACITOR	0.047uF 25V K	1	
	C904	NCBA1EK-472W	C CAPACITOR	4700pF 25V K	1	
	C906	NCB31EK-473X	C CAPACITOR	0.047uF 25V K	1	
	C907	NCJ20JM-226X-A	C CAPACITOR	22uF 6.3V M	1	
	C908	NCBA1AK-104W	C CAPACITOR	0.1uF 10V K	1	
	C910	NCBA1CK-103W	C CAPACITOR	0.01uF 16V K	1	
	C911	NCBA1AK-104W	C CAPACITOR	0.1uF 10V K	1	
	C913	NCBA1EK-472W	C CAPACITOR	4700pF 25V K	1	
	C915	NCB31CK-105X	C CAPACITOR	1uF 16V K	1	
	C916	NCB31CK-105X	C CAPACITOR	1uF 16V K	1	
	C918	NCJ20JM-226X-A	C CAPACITOR	22uF 6.3V M	1	
	R601	NRSA6AJ-101W	MG RESISTOR	100Ω 1/16W J	1	
	R602	NRSA6AJ-101W	MG RESISTOR	100Ω 1/16W J	1	
△	R610	NRSA6AJ-471W	MG RESISTOR	470Ω 1/16W J	1	
	R693	NRSA6AJ-682W	MG RESISTOR	6.8kΩ 1/16W J	1	
	R694	NRSA6AJ-153W	MG RESISTOR	15kΩ 1/16W J	1	
	R695	NRSA6AJ-473W	MG RESISTOR	47kΩ 1/16W J	1	
	R906	NRSA6AJ-222W	MG RESISTOR	2.2kΩ 1/16W J	1	
	R908	NRSA6AJ-104W	MG RESISTOR	100kΩ 1/16W J	1	
	R911	NRSA6AJ-222W	MG RESISTOR	2.2kΩ 1/16W J	1	
	R916	NRSA6AJ-104W	MG RESISTOR	100kΩ 1/16W J	1	
	L601	NRSA6AJ-0R0W	MG RESISTOR	0Ω 1/16W J	1	
	L602	NQR0645-001X	FERRITE BEADS		1	
	L603	NQR0645-001X	FERRITE BEADS		1	
	BT601	QNA0060-001	EXT BATT JACK		1	
△	BT602	QAB0040-001	LITHIUM BATTERY		1	
	CN601	QGF0528F4-40X	CONNECTOR	FFC/FPC (1-40)	1	
△	F601	NMFZ028-2R5X-J1	FUSE	2.5A	1	
△	F602	NMFZ028-2R5X-J1	FUSE	2.5A	1	
	J601	QNS0297-001X	3.5 JACK		1	
	J602	QNA0059-001X	DC JACK		1	
	K901	NQR0599-003X	FERRITE BEADS		1	
	S691	NSW0323-001X	TACT SWITCH		1	
	S692	NSW0323-001X	TACT SWITCH		1	
	S693	NSW0323-001X	TACT SWITCH		1	
	S694	NSW0323-001X	TACT SWITCH		1	
<b>JACK BOARD ASSEMBLY &lt;03&gt;</b>						
	PW201	LYA20080-04B3	JACK BOARD ASSY		1	
	CN201	QGF0543F3-18X	CONNECTOR	FFC/FPC (1-18)	1	
	CN203	QGF0543F3-15X	CONNECTOR	FFC/FPC (1-15)	1	
△	F201	NMFZ028-2R5X-J1	FUSE	2.5A	1	

MODEL	MARK	MODEL	MARK	MODEL	MARK	MODEL	MARK
GZ-HM440AEU	A	GZ-HM440BEK	B	GZ-HM440BEU	C	GZ-HM440REU	D
GZ-HM445AEK	E	GZ-HM445AEU	F	GZ-HM445BEK	G	GZ-HM445BEU	H
GZ-HM445REK	J	GZ-HM445REU	K	GZ-HM445SEK	L	GZ-HM445SEU	M
GZ-HM446AEU	N	GZ-HM446BEU	P	GZ-HM446REU	Q	GZ-HM446SEU	R

Safe	Symbol No.	Parts No.	Parts Name	Description	QTY	Local
	J201	NNZ0212-001X	HDMI CONNECTOR		1	
	J203	NNZ0251-001X	USB CONNECTOR		1	
	S201	NSW0323-001X	TACT SWITCH		1	

MONITOR BOARD ASSEMBLY <04>

PW701		LYA20080-04B2	MONITOR BOARD ASSY		1	
IC722		HGDES031A-X	IC		1	
Q721		UMX1N-W	PAIR TRANSISTOR		1	
Q721	or	KTC801U/G/-X	TRANSISTOR		1	
Q721	or	RT3CLLM/EF/-X	TRANSISTOR		1	
Q721	or	XP4501-W	TRANSISTOR		1	
Q721	or	PUMX1-W	PAIR TRANSISTOR		1	
Q722		UMX1N-W	PAIR TRANSISTOR		1	
Q722	or	KTC801U/G/-X	TRANSISTOR		1	
Q722	or	RT3CLLM/EF/-X	TRANSISTOR		1	
Q722	or	XP4501-W	TRANSISTOR		1	
Q722	or	PUMX1-W	PAIR TRANSISTOR		1	
Q741		RT1P432U-X	DIGI TRANSISTOR		1	
Q742		RT1P432U-X	DIGI TRANSISTOR		1	
Q743		RT1P432U-X	DIGI TRANSISTOR		1	
Q744		RT1N432U-X	DIGI TRANSISTOR		1	
Q745		RT1N432U-X	DIGI TRANSISTOR		1	
D721		NSSW006/T294-X	LED		1	
D722		NSSW006/T294-X	LED		1	
D723		NSSW006/T294-X	LED		1	
C704		NCB31CK-105X	C CAPACITOR	1uF 16V K	1	
C705		NCJA0JK-105W-A	C CAPACITOR	1uF 6.3V K	1	
C706		NCB30JK-225X	C CAPACITOR	2.2uF 6.3V K	1	
C707		NCJA0JK-105W-A	C CAPACITOR	1uF 6.3V K	1	
C708		NCB31CK-105X	C CAPACITOR	1uF 16V K	1	
C709		NCB31CK-105X	C CAPACITOR	1uF 16V K	1	
C710		NCB21EK-105X	C CAPACITOR	1uF 25V K	1	
C711		NCB31CK-105X	C CAPACITOR	1uF 16V K	1	
C712		NCB31CK-105X	C CAPACITOR	1uF 16V K	1	
C713		NCB21AK-225X	C CAPACITOR	2.2uF 10V K	1	
C714		NCB30JK-225X	C CAPACITOR	2.2uF 6.3V K	1	
C715		NCB21AK-225X	C CAPACITOR	2.2uF 10V K	1	
C716		NCB30JK-225X	C CAPACITOR	2.2uF 6.3V K	1	
C721		NCB31CK-105X	C CAPACITOR	1uF 16V K	1	
C742		NCBA1EK-472W	C CAPACITOR	4700pF 25V K	1	
C743		NCBA1EK-472W	C CAPACITOR	4700pF 25V K	1	
R701		NRSA6AJ-224W	MG RESISTOR	220kΩ 1/16W J	1	
R721		NRSA63D-561X	MG RESISTOR	560Ω 1/16W D	1	
R722		NRSA63D-100X	MG RESISTOR	10Ω 1/16W D	1	
R723		NRSA63D-100X	MG RESISTOR	10Ω 1/16W D	1	
R724		NRSA63D-100X	MG RESISTOR	10Ω 1/16W D	1	
R725		NRSA6AJ-0R0W	MG RESISTOR	0Ω 1/16W J	1	
R726		NRSA6AJ-0R0W	MG RESISTOR	0Ω 1/16W J	1	
R742		NRSA6AJ-104W	MG RESISTOR	100kΩ 1/16W J	1	
CN701		QGF0528F4-34X	CONNECTOR	FFC/FPC (1-34)	1	
CN702		QGF0319F1-39X	CONNECTOR	FFC/FPC (1-39)	1	
CN703		QGF0528F4-08X	CONNECTOR	FFC/FPC (1-8)	1	