



PARTS LIST

CAMCORDER

| | | |
|-------------|-------------|-------------|
| GZ-HM330BEK | GZ-HM330BEU | GZ-HM330RAA |
| GZ-HM330RAC | GZ-HM330RAG | GZ-HM330RAH |
| GZ-HM330RAS | GZ-HM330SAA | GZ-HM330SAC |
| GZ-HM330SAG | GZ-HM330SAH | GZ-HM330SAS |
| GZ-HM330SEK | GZ-HM330SEU | GZ-HM334BEU |
| GZ-HM335BEU | GZ-HM350BAA | |



■ PRECAUTIONS ON SCHEMATIC DIAGRAMS

- Due to the improvement in performance, some part numbers shown in the circuit diagrams may not agree with those indicated in the Parts List.
- The parts numbers, values and rated voltage etc. in the Schematic Diagrams are for reference only.
- Since the circuit diagrams are standard ones, the circuits and circuit constants may be subject to change for improvement without any notice.

■ PRECAUTIONS ON PARTS LIST

- The parts identified by the \triangle symbol are critical for safety. Whenever replacing these parts, be sure to use specified ones to secure the safety.
- The parts not indicated in this Parts List and those which are filled with lines --- in the Parts No. columns will not be supplied.
- P.W. BOARD Ass'y will not be supplied, but those which are filled with the Parts No. in the Parts No. columns will be supplied.
- When ordering chips, screws etc., place bulk orders (unit of tens) whenever possible to improve shipping efficiency.
- There are cases where the actual implemented parts in the sets and the service parts are different. When ordering parts, make sure to refer to the Parts List.

■ PRECAUTIONS ON SERVICE

Certain parts of the power circuits and the GNDs differ according to the models. Care must be taken for the following points as the differences are indicated separately in the LIVE GND () and the ISOLATED (NEUTRAL) GND () .

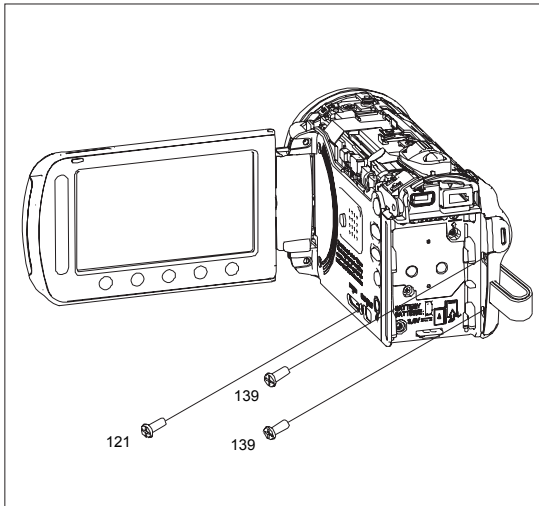
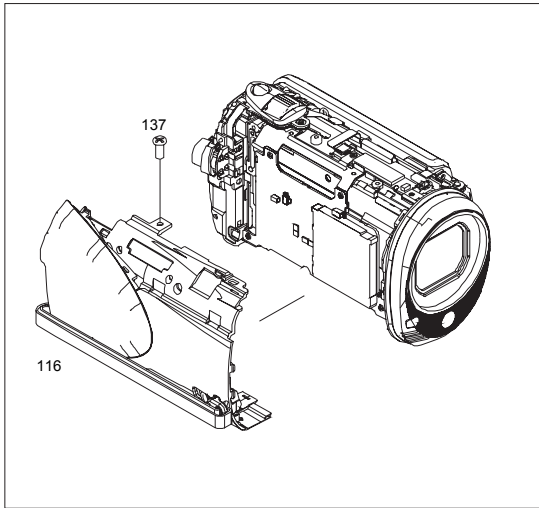
1. Do not touch the LIVE GND, or do not touch the LIVE GND and the ISOLATED (NEUTRAL) GND at the same time. It may cause an electric shock.
Before pulling out the chassis or other parts, make sure to pull out the power cord from the wall outlet first.
2. Do not short circuit between the LIVE GND and ISOLATED (NEUTRAL) GND, or never measure the LIVE GND and ISOLATED (NEUTRAL) GND at the same time using measuring instruments (oscilloscope, etc.). It may blow fuses or damage other parts.

■ DEVIATION TOLERANCE RANGE

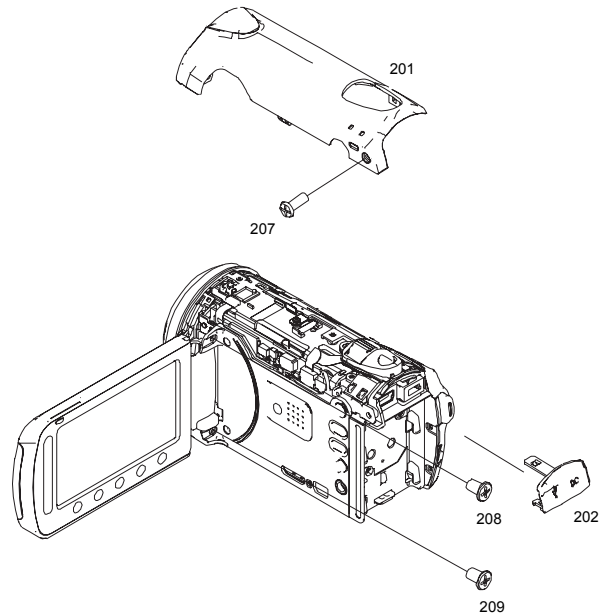
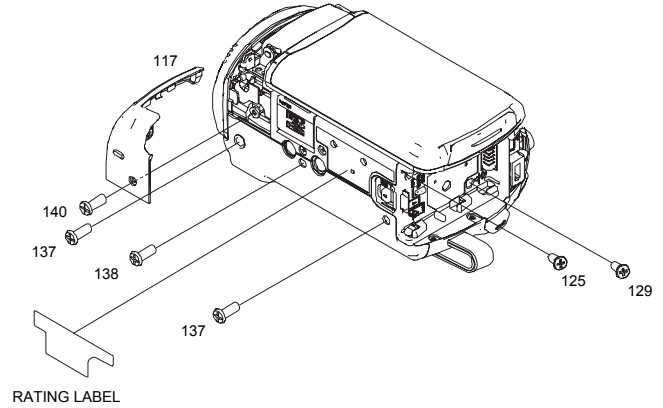
| DEVIATION TOLERANCE RANGE | | | | | | | | | |
|---------------------------|------|------|------|------|------|--------------|--------------|--------------|--------------|
| F | G | J | K | M | N | R | H | Z | P |
| ± 1% | ± 2% | ± 5% | ±10% | ±20% | ±30% | +30% -10% | +50% -10% | +80% -20% | +100% -0% |

FINAL ASSEMBLY<M1>

The instruction manual to be provided with this product will differ according to the destination.

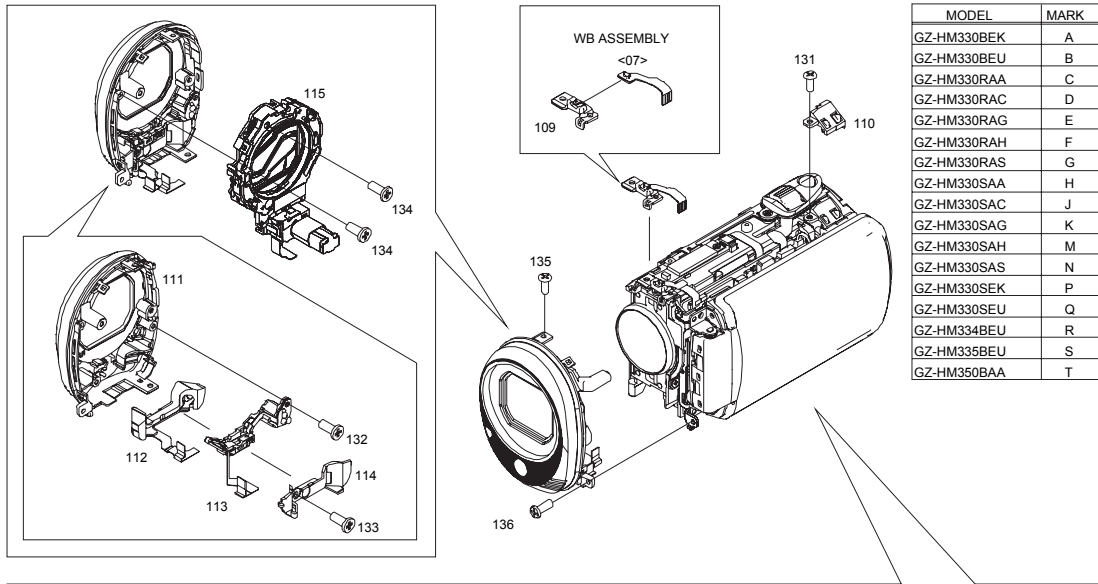


| MODEL | MARK | MODEL | MARK |
|-------------|------|-------------|------|
| GZ-HM330BEK | A | GZ-HM330SAC | J |
| GZ-HM330BEU | B | GZ-HM330SAG | K |
| GZ-HM330RAA | C | GZ-HM330SAH | M |
| GZ-HM330RAC | D | GZ-HM330SAS | N |
| GZ-HM330RAG | E | GZ-HM330SEK | P |
| GZ-HM330RAH | F | GZ-HM330SEU | Q |
| GZ-HM330RAS | G | GZ-HM334BEU | R |
| GZ-HM330SAA | H | GZ-HM335BEU | S |
| | | GZ-HM350BAA | T |

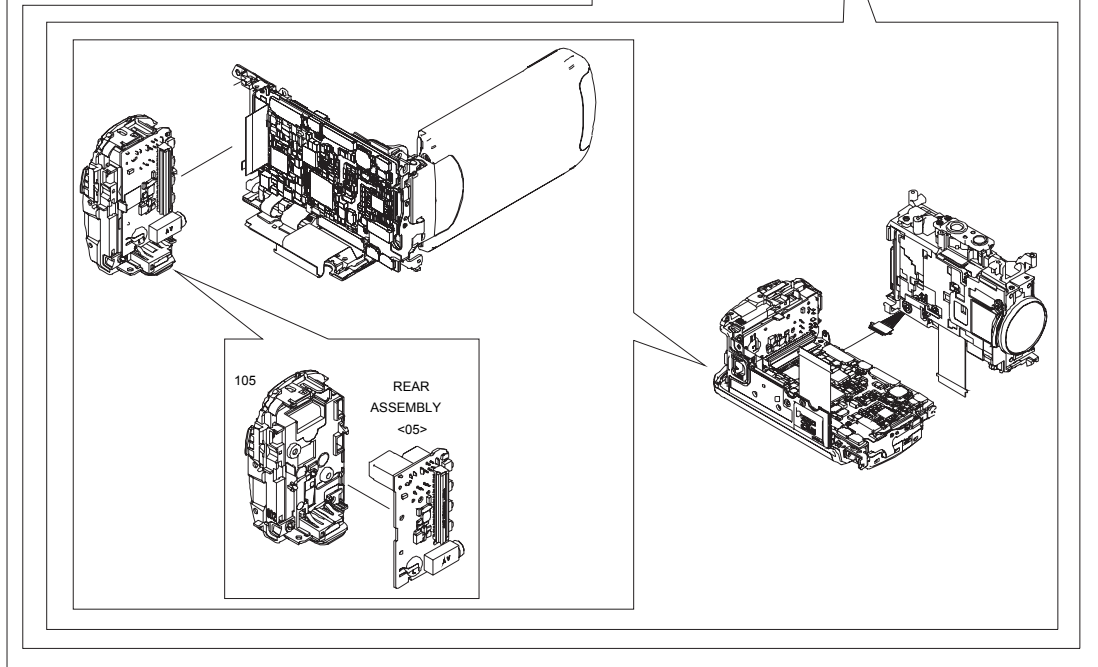
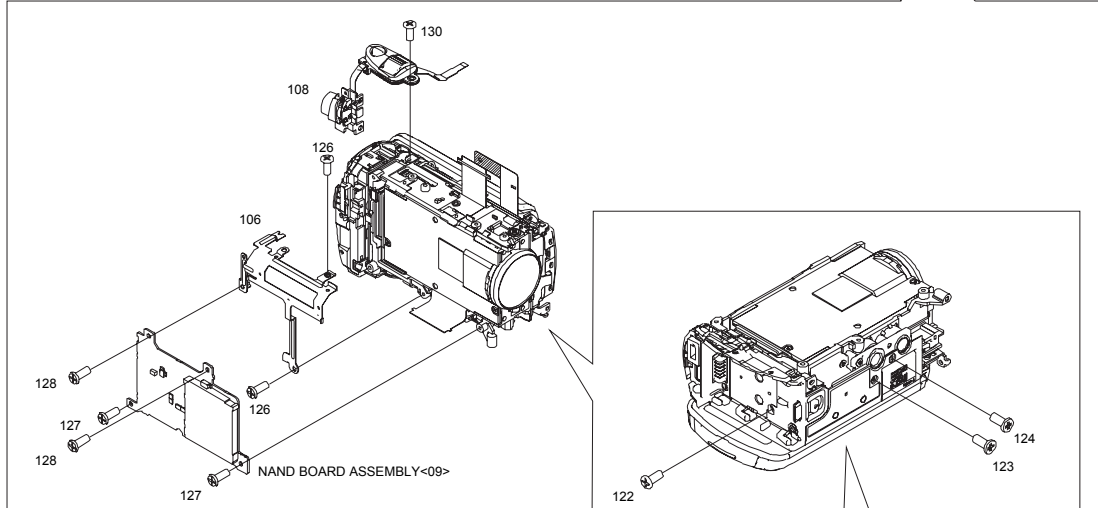


FINAL ASSEMBLY<M1>

The instruction manual to be provided with this product will differ according to the destination.



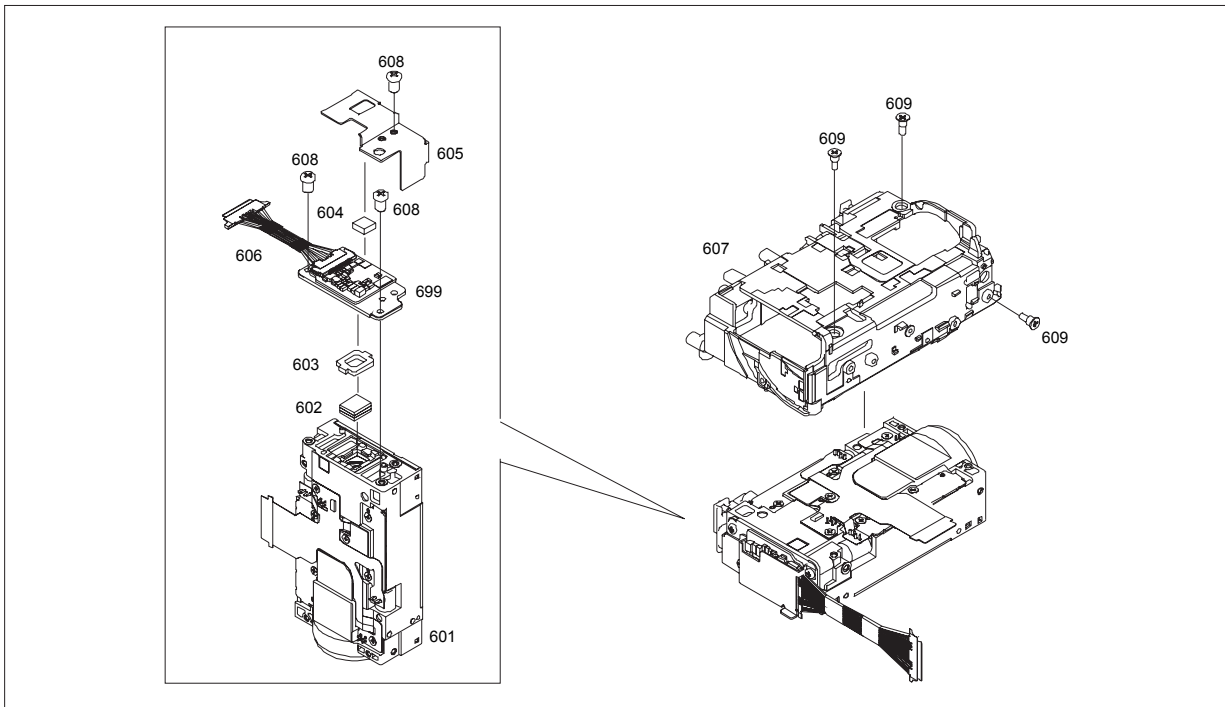
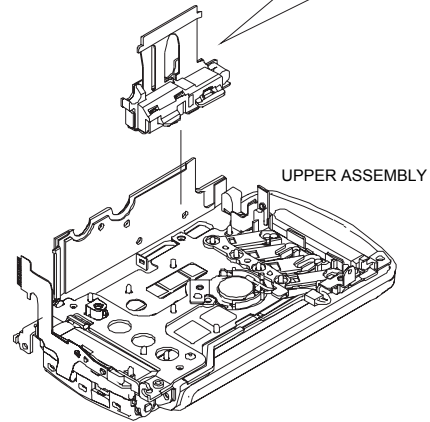
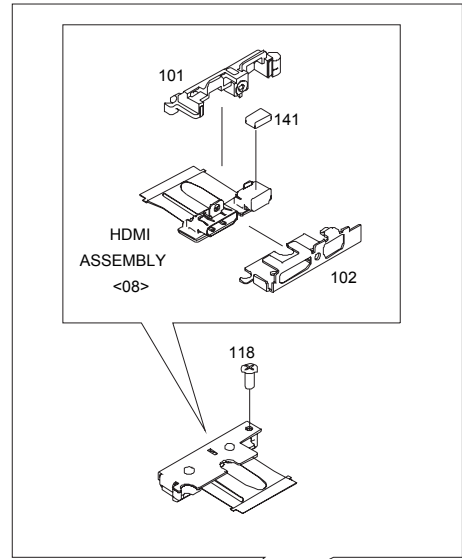
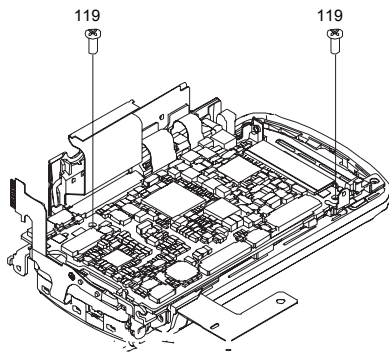
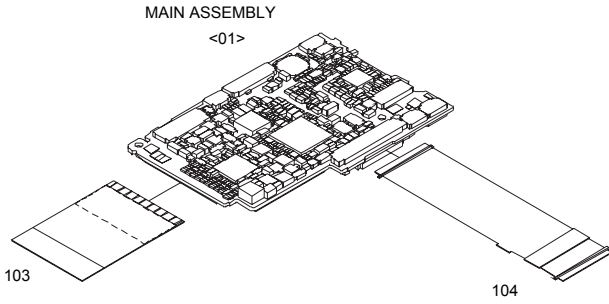
| MODEL | MARK |
|-------------|------|
| GZ-HM330BEK | A |
| GZ-HM330BEU | B |
| GZ-HM330RAA | C |
| GZ-HM330RAC | D |
| GZ-HM330RAG | E |
| GZ-HM330RAH | F |
| GZ-HM330RAS | G |
| GZ-HM330SAA | H |
| GZ-HM330SAC | J |
| GZ-HM330SAG | K |
| GZ-HM330SAH | M |
| GZ-HM330SAS | N |
| GZ-HM330SEK | P |
| GZ-HM330SEU | Q |
| GZ-HM334BEU | R |
| GZ-HM335BEU | S |
| GZ-HM350BAA | T |



FINAL ASSEMBLY<M1>

The instruction manual to be provided with this product will differ according to the destination.

| MODEL | MARK | MODEL | MARK |
|-------------|------|-------------|------|
| GZ-HM330BEK | A | GZ-HM330SAC | J |
| GZ-HM330BEU | B | GZ-HM330SAG | K |
| GZ-HM330RAA | C | GZ-HM330SAH | M |
| GZ-HM330RAC | D | GZ-HM330SAS | N |
| GZ-HM330RAG | E | GZ-HM330SEK | P |
| GZ-HM330RAH | F | GZ-HM330SEU | Q |
| GZ-HM330RAS | G | GZ-HM334BEU | R |
| GZ-HM330SAA | H | GZ-HM335BEU | S |
| | | GZ-HM350BAA | T |

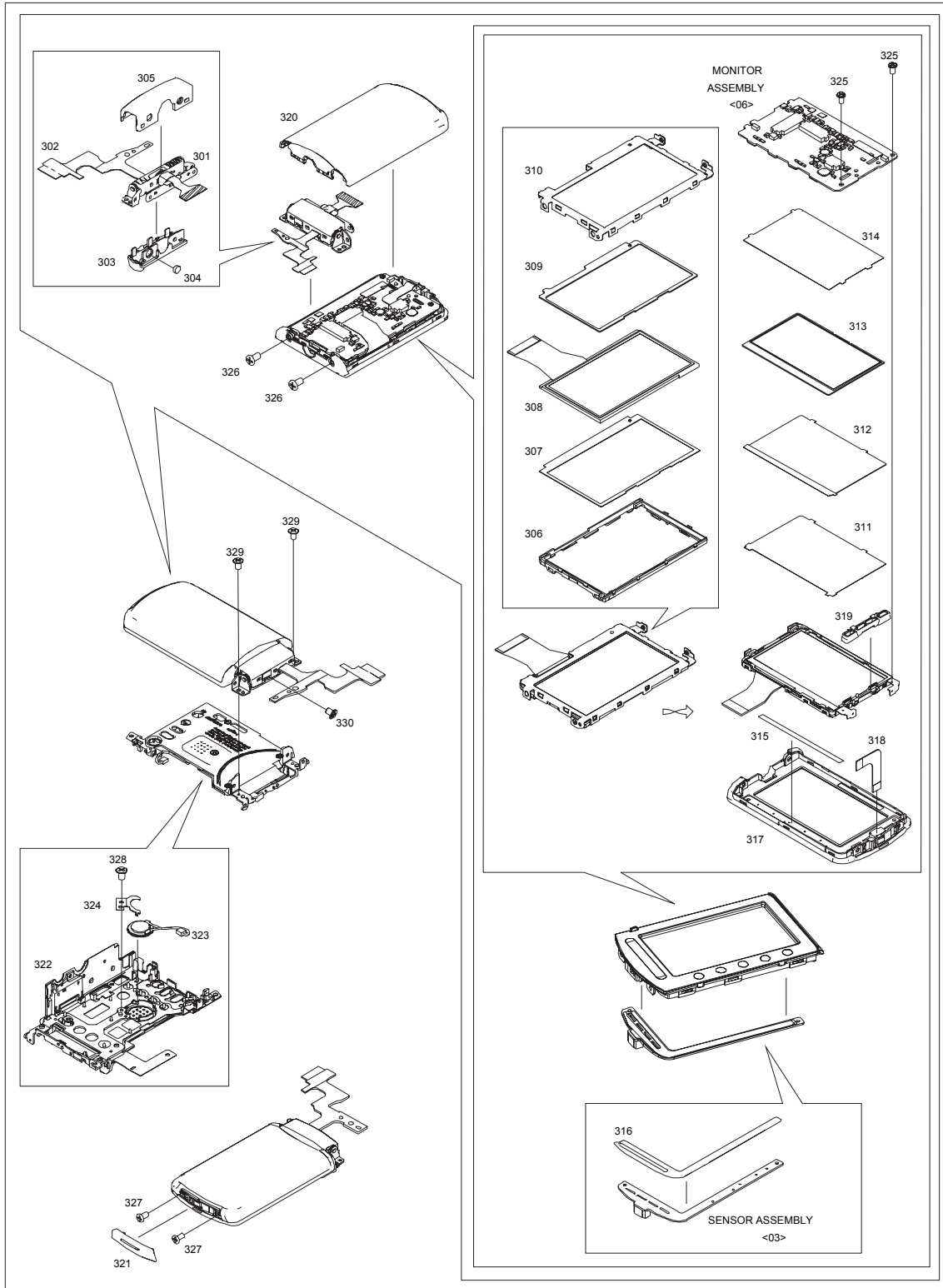


FINAL ASSEMBLY<M1>

The instruction manual to be provided with this product will differ according to the destination.

| MODEL | MARK | MODEL | MARK |
|-------------|------|-------------|------|
| GZ-HM330BEK | A | GZ-HM330SAC | J |
| GZ-HM330BEU | B | GZ-HM330SAG | K |
| GZ-HM330RAA | C | GZ-HM330SAH | M |
| GZ-HM330RAC | D | GZ-HM330SAS | N |
| GZ-HM330RAG | E | GZ-HM330SEK | P |
| GZ-HM330RAH | F | GZ-HM330SEU | Q |
| GZ-HM330RAS | G | GZ-HM334BEU | R |
| GZ-HM330SAA | H | GZ-HM335BEU | S |
| | | GZ-HM350BAA | T |

UPPER ASSEMBLY



| MODEL | MARK | MODEL | MARK | MODEL | MARK | MODEL | MARK |
|-------------|------|-------------|------|-------------|------|-------------|------|
| GZ-HM330BEK | A | GZ-HM330BEU | B | GZ-HM330RAA | C | GZ-HM330RAC | D |
| GZ-HM330RAG | E | GZ-HM330RAH | F | GZ-HM330RAS | G | GZ-HM330SAA | H |
| GZ-HM330SAC | J | GZ-HM330SAG | K | GZ-HM330SAH | M | GZ-HM330SAS | N |
| GZ-HM330SEK | P | GZ-HM330SEU | Q | GZ-HM334BEU | R | GZ-HM335BEU | S |
| GZ-HM350BAA | T | | | | | | |

| Safe | Symbol No. | Parts No. | Parts Name | Description | QTY | Local |
|------|------------|-----------|------------|-------------|-----|-------|
|------|------------|-----------|------------|-------------|-----|-------|

FINAL ASSEMBLY <M1MM>

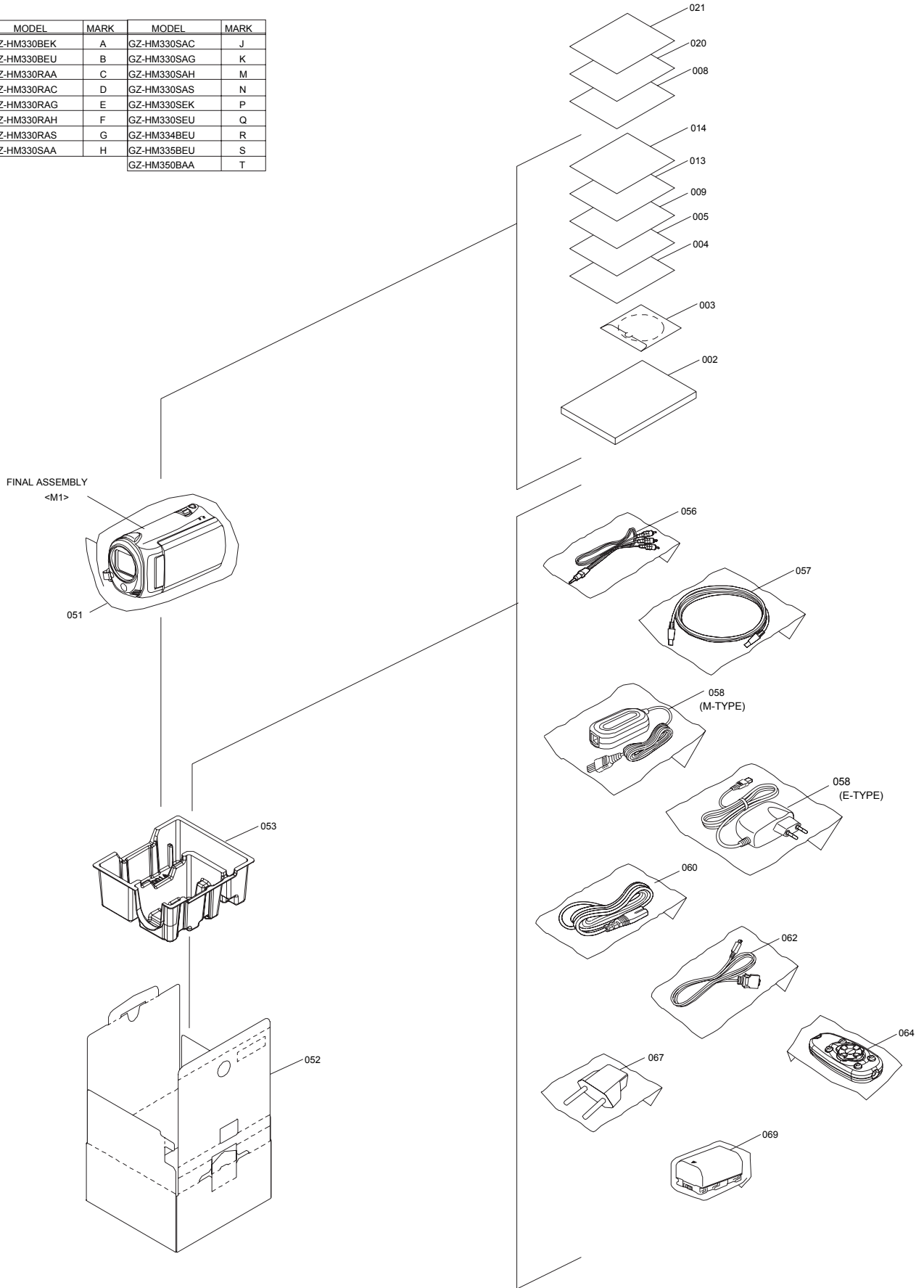
| | | | | | | |
|---|-----|----------------|-----------------|------------|---|-------------------------------|
| | 101 | LY22110-001A | HOLDER(HDMI) | | 1 | |
| | 102 | LY22109-001A | PLATE(HDMI) | | 1 | |
| | 103 | WJT0241-001A-E | E-CARD WIRE | MAIN-REAR | 1 | |
| | 104 | QAL1249-002 | FPC | MAIN-NAND | 1 | |
| △ | 105 | LY37209-002A | R.COVER ASSY | | 1 | |
| | 106 | LY37281-001A | SHIELD (S4) | | 1 | |
| | 108 | LY10657-001B | OPE UNIT | | 1 | |
| | 109 | LY37290-001A | HOLDER (WB) | | 1 | |
| | 110 | LY37235-001B | HOLDER(IND)ASSY | | 1 | |
| | 111 | LY37308-001D | F.COVER ASSY S4 | | 1 | |
| | 112 | QAN0103-001 | MICROPHONE UNIT | | 1 | |
| | 113 | LY37335-001A | FRONT FPC UNIT | | 1 | A,B,P,Q |
| | 113 | LY37335-002A | FRONT FPC UNIT | | 1 | C,D,E,F,G,H,J,K,M,N,R,S, T |
| | 114 | LY37301-001A | PLATE(MIC)HD | | 1 | |
| | 115 | LY22121-001A | BARRIER ASSY | | 1 | |
| | 116 | LY22133-008C | L.CASE ASSY(S4) | | 1 | A,B,R,S,T |
| | 116 | LY22133-006C | L.CASE ASSY(S4) | | 1 | C,D,E,F,G |
| | 116 | LY22133-005C | L.CASE ASSY(S4) | | 1 | H,J,K,M,N,P,Q |
| | 117 | LY37292-004B | COVER(HINGE) | | 1 | A,B,R,S,T |
| | 117 | LY37292-002B | COVER(HINGE) | | 1 | C,D,E,F,G |
| | 117 | LY37292-001B | COVER(HINGE) | | 1 | H,J,K,M,N,P,Q |
| | 118 | LY30031-0P9A | SPECIAL SCREW | PLT(H)-HLD | 1 | |
| | 119 | LY30031-0P9A | SPECIAL SCREW | MAIN-UPPER | 2 | |
| | 121 | LY30031-0P9A | SPECIAL SCREW | UPPER-HDMI | 1 | |
| | 122 | LY30031-0K7A | SPECIAL SCREW | REAR-SMAIN | 1 | |
| | 123 | LY30031-0P9A | SPECIAL SCREW | UPPER-H(OP | 1 | |
| | 124 | LY30031-0P9A | SPECIAL SCREW | UPPER-TPOD | 1 | |
| | 125 | LY30031-0P9A | SPECIAL SCREW | REAR-UPPER | 1 | |
| | 126 | LY30031-0P9A | SPECIAL SCREW | SLD(H-H(OP | 2 | |
| | 127 | LY30031-0P9A | SPECIAL SCREW | SDPWB-H(OP | 2 | |
| | 128 | LY30031-0K7A | SPECIAL SCREW | SDPWB-SLD | 2 | |
| | 129 | LY30031-0P9A | SPECIAL SCREW | REAR-H(OP | 1 | |
| | 130 | LY30031-0P9A | SPECIAL SCREW | OPE.U-H(OP | 1 | |
| | 131 | LY30031-0K7A | SPECIAL SCREW | H(IND-SMAI | 1 | |
| | 132 | LY30031-QQ3A | SPECIAL SCREW | F_SEN-FRON | 1 | |
| | 133 | LY30031-QQ3A | SPECIAL SCREW | MIC-FRONT | 1 | |
| | 134 | LY30031-QQ3A | SPECIAL SCREW | BARR-HOOD | 2 | |
| | 135 | LY30031-0P9A | SPECIAL SCREW | FRONT-H(OP | 1 | |
| | 136 | LY30031-0K7A | SPECIAL SCREW | FRON-B(HIN | 1 | |
| | 137 | LY30031-0P9A | SPECIAL SCREW | LOWER-H(OP | 3 | |
| | 138 | LY30031-0P9A | SPECIAL SCREW | LOWER-TPOD | 1 | |
| | 139 | LY30031-0P9A | SPECIAL SCREW | REAR-LOWER | 2 | |
| | 140 | LY30031-0P9A | SPECIAL SCREW | C(HIN-H(OP | 1 | |
| | 141 | QZV0412-003 | GASKET | | 1 | |
| | 201 | LY37310-009C | T.COVER ASSY S4 | | 1 | A,B,R,S,T |
| | 201 | LY37310-007C | T.COVER ASSY S4 | | 1 | C,D,E,F,G |
| | 201 | LY37310-006C | T.COVER ASSY S4 | | 1 | H,J,K,M,N,P,Q |
| | 202 | LY37293-004A | J.COVER ASSY | | 1 | A,B,R,S,T |
| | 202 | LY37293-002A | J.COVER ASSY | | 1 | C,D,E,F,G |
| | 202 | LY37293-001A | J.COVER ASSY | | 1 | H,J,K,M,N,P,Q |
| | 207 | LY30031-QQ3A | SPECIAL SCREW | TOP-REAR | 1 | |
| | 208 | LY30031-QQ3A | SPECIAL SCREW | UPPER-FRON | 1 | |
| | 209 | LY30031-QQ3A | SPECIAL SCREW | UPPE-C(HIN | 1 | |
| | 301 | LY21558-004B | HINGE UNIT | | 1 | |
| | 302 | QAL1245-001 | FPC | MONI-MAIN | 1 | |
| | 303 | LY37189-001A | HINGE COVER(L) | | 1 | |
| | 304 | LY45427-001A | P.C.MAGNET | | 1 | |
| | 305 | LY37188-008A | HINGE COV(U)SD | | 1 | A,B,R,S,T |
| | 305 | LY37188-006A | HINGE COV(U)SD | | 1 | C,D,E,F,G |
| | 305 | LY37188-005A | HINGE COV(U)SD | | 1 | H,J,K,M,N,P,Q |
| | 306 | LY22103-001A | LCD CASE | | 1 | |
| | 307 | LY37338-001A | SHEET LCD | | 1 | |
| | 308 | QLD0538-001 | LCD MODULE | | 1 | |
| | 309 | LY37337-001A | SPACER LCD | | 1 | |
| | 310 | LY22104-001A | BRACKET(LCD) | | 1 | |
| | 311 | LY37339-001A | SHEET (BEF) | | 1 | |
| | 312 | LY35480-001A | SHEET(M/DIFF) | | 1 | |
| | 313 | LY36668-001A | LIGHT GUIDE | | 1 | |
| | 314 | LY35481-001A | SHEET(M.REF) | | 1 | |
| | 315 | LY30035-045A | SPACER(A) | | 1 | |
| | 316 | LY37185-001A | D.FACE TAPE | | 1 | |
| | 317 | LY37294-001C | M.CASE ASSY(HD) | | 1 | |
| | 318 | QAL1248-001 | FPC | SENS-MONI | 1 | |
| | 319 | LY37231-001A | HOLDER(LED) | | 1 | |
| | 320 | LY37307-008D | M.COVER ASSY HD | | 1 | A,B,R,S,T |
| | 320 | LY37307-006C | M.COVER ASSY HD | | 1 | C,D,E,F,G |
| | 320 | LY37307-005C | M.COVER ASSY HD | | 1 | H,J,K,M,N,P,Q |
| | 321 | LY37274-001A | COVER SCREW (M) | | 1 | |
| | 322 | LY22136-004E | U.CASE ASSY(HD) | | 1 | A,B,R,S,T |
| | 322 | LY22136-002E | U.CASE ASSY(HD) | | 1 | C,D,E,F,G |
| | 322 | LY22136-001E | U.CASE ASSY(HD) | | 1 | H,J,K,M,N,P,Q |
| | 323 | QAS0612-001 | SPEAKER | | 1 | |
| | 324 | LY37246-001B | BKT(SPK) | | 1 | |

| MODEL | MARK | MODEL | MARK | MODEL | MARK | MODEL | MARK |
|-------------|------|-------------|------|-------------|------|-------------|------|
| GZ-HM330BEK | A | GZ-HM330BEU | B | GZ-HM330RAA | C | GZ-HM330RAC | D |
| GZ-HM330RAG | E | GZ-HM330RAH | F | GZ-HM330RAS | G | GZ-HM330SAA | H |
| GZ-HM330SAC | J | GZ-HM330SAG | K | GZ-HM330SAH | M | GZ-HM330SAS | N |
| GZ-HM330SEK | P | GZ-HM330SEU | Q | GZ-HM334BEU | R | GZ-HM335BEU | S |
| GZ-HM350BAA | T | | | | | | |

| Safe | Symbol No. | Parts No. | Parts Name | Description | QTY | Local |
|------|------------|----------------|-----------------|-------------|-----|-------|
| | 325 | LY30031-079A | SPECIAL SCREW | M.PWB-BKT | 2 | |
| | 326 | LY30031-0N5A | SPECIAL SCREW | HINGE-MONI | 2 | |
| | 327 | LY30031-079A | SPECIAL SCREW | M.COV-BKT | 2 | |
| | 328 | LY30031-016A | SPECIAL SCREW | SPK-B(HIN) | 1 | |
| | 329 | LY30031-0K6A | SPECIAL SCREW | HING-B(HIN) | 2 | |
| | 330 | LY30031-016A | SPECIAL SCREW | FPC-B(HIN) | 1 | |
| | 601 | LY37349-001B | OP BLOCK | | 1 | |
| | 602 | LY46028-001A | IR CUT FILTER | | 1 | |
| | 603 | LY45973-001A | SHEET | | 1 | |
| | 604 | LY45801-002A | HEAT SHEET | | 1 | |
| | 605 | LY37466-001A | SHLD CMOS ASSY | | 1 | |
| | 606 | WJN0282-001A-E | E-SH C WIRE C-C | | 1 | |
| | 607 | LY37291-007A | HOLDER(OPHD)ASY | | 1 | |
| | 608 | QYSPSGU1750ZA | TAP SCREW | M1.7 x 5mm | 3 | |
| | 609 | LY30032-037A | SPECIAL SCREW | HLD(OP)-OP | 3 | |
| | 699 | CAC0H401A | CMOS FRM ASSY | | 1 | |

PACKING AND ACCESSORY ASSEMBLY <M5>

| MODEL | MARK | MODEL | MARK |
|-------------|------|-------------|------|
| GZ-HM330BEK | A | GZ-HM330SAC | J |
| GZ-HM330BEU | B | GZ-HM330SAG | K |
| GZ-HM330RAA | C | GZ-HM330SAH | M |
| GZ-HM330RAC | D | GZ-HM330SAS | N |
| GZ-HM330RAG | E | GZ-HM330SEK | P |
| GZ-HM330RAH | F | GZ-HM330SEU | Q |
| GZ-HM330RAS | G | GZ-HM334BEU | R |
| GZ-HM330SAA | H | GZ-HM335BEU | S |
| | | GZ-HM350BAA | T |



No.YF347

created date:2010-03-24

| MODEL | MARK | MODEL | MARK | MODEL | MARK | MODEL | MARK |
|-------------|------|-------------|------|-------------|------|-------------|------|
| GZ-HM330BEK | A | GZ-HM330BEU | B | GZ-HM330RAA | C | GZ-HM330RAC | D |
| GZ-HM330RAG | E | GZ-HM330RAH | F | GZ-HM330RAS | G | GZ-HM330SAA | H |
| GZ-HM330SAC | J | GZ-HM330SAG | K | GZ-HM330SAH | M | GZ-HM330SAS | N |
| GZ-HM330SEK | P | GZ-HM330SEU | Q | GZ-HM334BEU | R | GZ-HM335BEU | S |
| GZ-HM350BAA | T | | | | | | |

| Safe | Symbol No. | Parts No. | Parts Name | Description | QTY | Local |
|--|------------|-----------------|-------------------|--|-----|-----------------------------------|
| PACKING AND ACCESSORY ASSEMBLY <M5MM> | | | | | | |
| △ | 002 | LYT2147-001A-M | INST BOOK | (ENGLISH) | 1 | A,P |
| △ | 002 | LYT2147-002A-M | INST BOOK | (GERMAN/FRENCH/SPANISH/I TALIAN) | 1 | B,Q |
| △ | 002 | LYT2147-003A-M | INST BOOK | (DUTCH/PORTUGUESE/RUSSI AN/UKRAINIAN) | 1 | B,Q |
| △ | 002 | LYT2147-004A-M | INST BOOK | (DANISH/FINN/SWEDISH/NOR WEGIAN) | 1 | B,Q |
| △ | 002 | LYT2147-005A-M | INST BOOK | (CZECH/PORTUGUESE/HUNG ARIAN) | 1 | B,Q |
| △ | 002 | LYT2148-001B-M | INST BOOK | (ENGLISH) | 1 | C,H,T |
| △ | 002 | LYT2149-001B-M | INST BOOK | (SIMPLIFIED CHINESE) | 1 | D,J |
| △ | 002 | LYT2148-002A-M | INST BOOK | (ENGLISH/SIMPLIFIED CHINESE/ARABIC) | 1 | E,K |
| △ | 002 | LYT2153-001A-M | INST BOOK | (ENGLISH/SIMPLIFIED CHINESE/ARABIC) | 1 | F,M |
| △ | 002 | LYT2221-001A-M | INST BOOK | (ENGLISH/RUSSIAN/FRENCH) | 1 | G,N |
| △ | 002 | LYT2221-002A-M | INST BOOK | (TURKISH/ARABIC/PERSIAN) | 1 | G,N |
| △ | 002 | LYT2208-001A-M | INST BOOK | (GERMAN/FRENCH/SPANISH/I TALIAN) | 1 | R |
| △ | 002 | LYT2208-002A-M | INST BOOK | (DUTCH/PORTUGUESE/RUSSI AN/UKRAINIAN) | 1 | R |
| △ | 002 | LYT2208-003A-M | INST BOOK | (DANISH/FINN/SWEDISH/NOR WEGIAN) | 1 | R |
| △ | 002 | LYT2208-004A-M | INST BOOK | (CZECH/PORTUGUESE/HUNG ARIAN) | 1 | R |
| △ | 002 | LYT2207-001A-M | INST BOOK | (GERMAN/FRENCH/SPANISH/I TALIAN) | 1 | S |
| △ | 002 | LYT2207-002A-M | INST BOOK | (DUTCH/PORTUGUESE/RUSSI AN/UKRAINIAN) | 1 | S |
| △ | 002 | LYT2207-003A-M | INST BOOK | (DANISH/FINN/SWEDISH/NOR WEGIAN) | 1 | S |
| △ | 002 | LYT2207-004A-M | INST BOOK | (CZECH/PORTUGUESE/HUNG ARIAN) | 1 | S |
| | 003 | LY37342-006A-S1 | CD ROM ASSY | | 1 | A,B,C,E,F,G,H,K,M,N,P,Q ,R,S,T |
| | 003 | LY37343-002A-S1 | CD ROM ASSY | | 1 | D,J |
| | 004 | LY37406-002A | SHEET ACC.GUIDE | | 1 | A,B,P,Q,R,S |
| | 004 | LY37406-003A | SHEET ACC.GUIDE | | 1 | C,E,F,G,H,K,M,N,T |
| | 004 | LY37406-009A | SHEET ACC.GUIDE | | 1 | D,J |
| | 005 | LY35208-001A | SHEET(E-SHOP) | | 1 | A,P |
| | 008 | ----- | WARRANTY CARD | BT-56020-1 | 1 | C,H,T |
| | 009 | YU30878 | REGISTRATION CARD | | 1 | A,P |
| | 013 | BT-59021-10CAM | SVC CENTER LIST | | 1 | D,J |
| | 014 | LYT0194-001B | Q.CARD | | 1 | A,P |
| | 020 | ----- | WARRANTY CARD | BT-54042-1 | 1 | A,B,P,Q,R,S |
| | 021 | ----- | WARRANTY CARD | BT-59029-1CAM | 1 | D,J |
| | 051 | LY30023-054A | POLY BAG | | 1 | A,B,C,E,F,G,H,K,M,N,P,Q ,R,S,T |
| | 051 | LY30023-057A | POLY BAG | | 1 | D,J |
| | 052 | LY37405-008B | PACKING CASE | | 1 | A,C,E,G,H,K,N,P |
| | 052 | LY37413-004B | PACKING CASE | | 1 | B,Q |
| | 052 | LY37405-013B | PACKING CASE | | 1 | D,J |
| | 052 | LY37405-011B | PACKING CASE | | 1 | F,M |
| | 052 | LY37413-006B | PACKING CASE | | 1 | R |
| | 052 | LY37413-007B | PACKING CASE | | 1 | S |
| | 052 | LY37405-006B | PACKING CASE | | 1 | T |
| | 053 | LY22135-001B | CUSHION | | 1 | A,B,C,E,F,G,H,K,M,N,P,Q ,R,S,T |
| | 053 | LY37369-001A | CUSHION ASSY | | 1 | D,J |
| | 056 | QAM1264-001 | A/V CABLE | FILTER.3.5 STEREO-RCA | 1 | A,B,D,J,P,Q,R,S |
| | 056 | QAM1263-001 | A/V CABLE | 3.5 STEREO-RCA | 1 | C,E,F,G,H,K,M,N,T |
| | 057 | QAM1156-001 | USB CABLE | A TYPE-MINI B TYPE | 1 | |
| △ | 058 | LY37325-001A | AC ADAPTER | AP-V30M | 1 | A,C,D,E,F,G,H,J,K,M,N,P, T |
| △ | 058 | LY37324-001A | AC ADAPTER | AP-V30E | 1 | B,Q,R,S |
| △ | 060 | QMPP430-100-JD | POWER CORD | 1m BLACK | 1 | A,F,M,P |
| △ | 060 | QMPH080-100-JR | POWER CORD | 1m BLACK | 1 | C,H,T |
| △ | 060 | QMPS570-100-JR | POWER CORD | 1m BLACK | 1 | D,J |
| △ | 060 | QMPL450-100-JR | POWER CORD | 1m BLACK | 1 | E,K |
| △ | 060 | QMPS640-100-JR | POWER CORD | 1m BLACK | 1 | G,N |
| | 062 | QAM1266-001 | D CABLE | | 1 | |
| | 064 | LY37345-001A | REMOTE CTL UNIT | RM-V760US | 1 | C,D,E,F,G,H,J,K,M,N,R,S, T |
| △ | 067 | QAM0027-002 | CONVERSION PLUG | | 1 | G,N |
| △ | 069 | LY37167-003C | BATTERY PACK | BN-VG114EU | 1 | A,B,C,E,F,G,H,K,M,N,P,Q ,R,S,T |
| △ | 069 | LY37167-005A | BATTERY PACK | BN-VG114AC | 1 | D,J |
| MAIN BOARD ASSEMBLY <01> | | | | | | |
| | PW1001 | LYA10215-03C | MAIN BOARD ASSY | | 1 | |
| | IC1001 | MN103SD0QJH | IC(MICRO C ROM) | | 1 | |
| | IC1001 or | MN103SFD0RJH | IC(MICRO C ROM) | | 1 | |

| MODEL | MARK | MODEL | MARK | MODEL | MARK | MODEL | MARK |
|-------------|------|-------------|------|-------------|------|-------------|------|
| GZ-HM330BEK | A | GZ-HM330BEU | B | GZ-HM330RAA | C | GZ-HM330RAC | D |
| GZ-HM330RAG | E | GZ-HM330RAH | F | GZ-HM330RAS | G | GZ-HM330SAA | H |
| GZ-HM330SAC | J | GZ-HM330SAG | K | GZ-HM330SAH | M | GZ-HM330SAS | N |
| GZ-HM330SEK | P | GZ-HM330SEU | Q | GZ-HM334BEU | R | GZ-HM335BEU | S |
| GZ-HM350BAA | T | | | | | | |

| Safe | Symbol No. | Parts No. | Parts Name | Description | QTY | Local |
|------|------------|-----------------|-----------------|--------------|-----|-------|
| | IC1005 | LE25LB1282TT-X | IC | | 1 | |
| | IC1006 | S-35190A-G-X | IC | | 1 | |
| | IC1009 | R5G05001N311N-X | IC(MCU) | | 1 | |
| | IC2101 | AK4694EG-W | IC | | 1 | |
| | IC3001 | JCY0243 | IC | | 1 | |
| | IC3002 | XC6213B312NG-X | IC | | 1 | |
| | IC3010 | TPS2051BDBV-X | IC | | 1 | |
| | IC3101 | H5MS5122DFRJ3MN | IC | | 1 | |
| | IC3102 | H5MS5122DFRJ3MN | IC | | 1 | |
| | IC3201 | M29W64T70A6E113 | IC(MICRO C ROM) | | 1 | |
| | IC3201 or | M29W64T70A6E112 | IC(MICRO C ROM) | | 1 | |
| | IC3201 or | M29W64T70A6E111 | IC(MICRO C ROM) | | 1 | |
| | IC4501 | JCY0245 | IC | | 1 | |
| | IC4502 | H55S1222EFP-60M | IC | | 1 | |
| | IC4504 | XC6213B312NG-X | IC | | 1 | |
| | IC4506 | XC8101AA01N-X | IC | | 1 | |
| | IC4901 | AN41905A-X | IC | | 1 | |
| | IC5701 | LV8075LP-W | IC | | 1 | |
| | IC6001 | UPD168852-W | IC | | 1 | |
| | IC6004 | R1172N271D-X | IC | | 1 | |
| | Q421 | PUMX1-W | PAIR TRANSISTOR | | 1 | |
| | Q421 or | RT3CLLM/EF/-X | TRANSISTOR | | 1 | |
| | Q1002 | RT1N441U-X | DIGI TRANSISTOR | | 1 | |
| | Q1002 or | UN9213J-X | DIGI TRANSISTOR | | 1 | |
| | Q1002 or | KRC404E-P-X | DIGI TRANSISTOR | | 1 | |
| | Q1002 or | DTC144EE-X | DIGI TRANSISTOR | | 1 | |
| | Q1002 or | DTC144EEB-X | DIGI TRANSISTOR | | 1 | |
| | Q1007 | RT1N441U-X | DIGI TRANSISTOR | | 1 | |
| | Q1007 or | UN9213J-X | DIGI TRANSISTOR | | 1 | |
| | Q1007 or | KRC404E-P-X | DIGI TRANSISTOR | | 1 | |
| | Q1007 or | DTC144EE-X | DIGI TRANSISTOR | | 1 | |
| | Q1007 or | DTC144EEB-X | DIGI TRANSISTOR | | 1 | |
| | Q2402 | 2SC4617/RS/-X | TRANSISTOR | | 1 | |
| | Q2402 or | 2SC5383/F/-X | TRANSISTOR | | 1 | |
| | Q2402 or | 2SD2216J/RS/-X | TRANSISTOR | | 1 | |
| | Q2701 | EMX18-W | TRANSISTOR | | 1 | |
| | Q3001 | DTC144EE-X | DIGI TRANSISTOR | | 1 | |
| | Q3001 or | RT1N441U-X | DIGI TRANSISTOR | | 1 | |
| | Q3001 or | UN9213J-X | DIGI TRANSISTOR | | 1 | |
| | Q3001 or | KRC404E-P-X | DIGI TRANSISTOR | | 1 | |
| | Q3001 or | DTC144EEB-X | DIGI TRANSISTOR | | 1 | |
| | Q3002 | SSM3K16FV-X | MOS FET | | 1 | |
| | Q3003 | DTA144EE-X | DIGI TRANSISTOR | | 1 | |
| | Q3003 or | RT1P441U-X | DIGI TRANSISTOR | | 1 | |
| | Q3751 | XP4312-W | DIGI TRANSISTOR | | 1 | |
| | Q4502 | UMT1N-W | PAIR TRANSISTOR | | 1 | |
| | Q4502 or | XP4401-W | TRANSISTOR | | 1 | |
| | Q4502 or | BC856S-X | PAIR TRANSISTOR | | 1 | |
| | Q4502 or | PUMT1-W | PAIR TRANSISTOR | | 1 | |
| | Q4502 or | RT3AMMAM1/EF/-X | PAIR TRANSISTOR | | 1 | |
| | Q4902 | 2SC4617/RS/-X | TRANSISTOR | | 1 | |
| | Q4902 or | 2SC5383/F/-X | TRANSISTOR | | 1 | |
| | Q4902 or | 2SD2216J/RS/-X | TRANSISTOR | | 1 | |
| | Q5701 | 2SC4617/RS/-X | TRANSISTOR | | 1 | |
| | Q5701 or | 2SC5383/F/-X | TRANSISTOR | | 1 | |
| | Q6401 | SSM3J304T-X | MOS FET | | 1 | |
| | Q6402 | SSM3J108TU-X | POWER MOS FET | | 1 | |
| | Q6403 | SSM3K302T-X | MOS FET | | 1 | |
| | Q6404 | SSM3J304T-X | MOS FET | | 1 | |
| | Q6601 | SSM6L39TU-X | MOS FET | | 1 | |
| | Q6702 | SSM3J304T-X | MOS FET | | 1 | |
| | Q6703 | SSM3K302T-X | MOS FET | | 1 | |
| | D181 | EMZ6.8N-X | Z DIODE | | 1 | |
| | D601 | EMZ6.8N-X | Z DIODE | | 1 | |
| | D602 | MA8068-X | Z DIODE | | 1 | |
| | D4501 | RB751V-40-X | SB DIODE | | 1 | |
| | D6001 | MA111-X | SI DIODE | | 1 | |
| | D6001 or | SDS511-X | SI DIODE | | 1 | |
| | D6001 or | 1SS355W-X | DIODE | | 1 | |
| | D6101 | MA2Z720-X | SB DIODE | | 1 | |
| | D6102 | MA2Z720-X | SB DIODE | | 1 | |
| | D6201 | MA2Z720-X | SB DIODE | | 1 | |
| | D6202 | MA2Z720-X | SB DIODE | | 1 | |
| | D6401 | MA22D23-X | SB DIODE | | 1 | |
| | D6402 | MA22D23-X | SB DIODE | | 1 | |
| | D6403 | MA22D23-X | SB DIODE | | 1 | |
| | D6501 | MA2Z720-X | SB DIODE | | 1 | |
| | D6601 | MA2Z720-X | SB DIODE | | 1 | |
| | D6701 | MA22D23-X | SB DIODE | | 1 | |
| | D6801 | MA22D23-X | SB DIODE | | 1 | |
| | C111 | NCB11AK-106X | C CAPACITOR | 10uF 10V K | 1 | |
| | C112 | NCBA1CK-103W | C CAPACITOR | 0.01uF 16V K | 1 | |
| | C601 | NCB31EK-104X | C CAPACITOR | 0.1uF 25V K | 1 | |
| | C1009 | NCBA1AK-104W | C CAPACITOR | 0.1uF 10V K | 1 | |
| | C1010 | NCB20JK-106X | C CAPACITOR | 10uF 6.3V K | 1 | |
| | C1011 | NCBA1CK-103W | C CAPACITOR | 0.01uF 16V K | 1 | |
| | C1012 | NCBA1AK-104W | C CAPACITOR | 0.1uF 10V K | 1 | |

| MODEL | MARK | MODEL | MARK | MODEL | MARK | MODEL | MARK |
|-------------|------|-------------|------|-------------|------|-------------|------|
| GZ-HM330BEK | A | GZ-HM330BEU | B | GZ-HM330RAA | C | GZ-HM330RAC | D |
| GZ-HM330RAG | E | GZ-HM330RAH | F | GZ-HM330RAS | G | GZ-HM330SAA | H |
| GZ-HM330SAC | J | GZ-HM330SAG | K | GZ-HM330SAH | M | GZ-HM330SAS | N |
| GZ-HM330SEK | P | GZ-HM330SEU | Q | GZ-HM334BEU | R | GZ-HM335BEU | S |
| GZ-HM350BAA | T | | | | | | |

| Safe | Symbol No. | Parts No. | Parts Name | Description | QTY | Local |
|------|------------|----------------|-------------|---------------|-----|-------|
| | C1013 | NCB31CK-105X | C CAPACITOR | 1uF 16V K | 1 | |
| | C1015 | NCBA1AK-104W | C CAPACITOR | 0.1uF 10V K | 1 | |
| | C1019 | NCBA1AK-104W | C CAPACITOR | 0.1uF 10V K | 1 | |
| | C1030 | NCBA1AK-104W | C CAPACITOR | 0.1uF 10V K | 1 | |
| | C1031 | NCBA1CK-103W | C CAPACITOR | 0.01uF 16V K | 1 | |
| | C1032 | NCBA1AK-104W | C CAPACITOR | 0.1uF 10V K | 1 | |
| | C1033 | NCBA1AK-104W | C CAPACITOR | 0.1uF 10V K | 1 | |
| | C1035 | NCBA1AK-104W | C CAPACITOR | 0.1uF 10V K | 1 | |
| | C1036 | NCBA1AK-104W | C CAPACITOR | 0.1uF 10V K | 1 | |
| | C1037 | NCBA1AK-104W | C CAPACITOR | 0.1uF 10V K | 1 | |
| | C1038 | NCBA1AK-104W | C CAPACITOR | 0.1uF 10V K | 1 | |
| | C1039 | NCBA1AK-104W | C CAPACITOR | 0.1uF 10V K | 1 | |
| | C1040 | NCBA1AK-104W | C CAPACITOR | 0.1uF 10V K | 1 | |
| | C1044 | NCBA1AK-104W | C CAPACITOR | 0.1uF 10V K | 1 | |
| | C1061 | NCBA1AK-104W | C CAPACITOR | 0.1uF 10V K | 1 | |
| | C1064 | NCBA1AK-104W | C CAPACITOR | 0.1uF 10V K | 1 | |
| | C1065 | NCBA1AK-104W | C CAPACITOR | 0.1uF 10V K | 1 | |
| | C1074 | NCBA1AK-104W | C CAPACITOR | 0.1uF 10V K | 1 | |
| | C1076 | NCBA1AK-104W | C CAPACITOR | 0.1uF 10V K | 1 | |
| | C2101 | NCBA1CK-153W | C CAPACITOR | 0.015uF 16V K | 1 | |
| | C2102 | NCBA1CK-153W | C CAPACITOR | 0.015uF 16V K | 1 | |
| | C2103 | NCBA1CK-103W | C CAPACITOR | 0.01uF 16V K | 1 | |
| | C2104 | NCBA1CK-103W | C CAPACITOR | 0.01uF 16V K | 1 | |
| | C2105 | NCB31CK-105X | C CAPACITOR | 1uF 16V K | 1 | |
| | C2106 | NCB31CK-105X | C CAPACITOR | 1uF 16V K | 1 | |
| | C2109 | NCB31CK-105X | C CAPACITOR | 1uF 16V K | 1 | |
| | C2402 | NCJ30JM-106X-U | C CAPACITOR | 10uF 6.3V M | 1 | |
| | C2403 | NCJ30JM-106X-U | C CAPACITOR | 10uF 6.3V M | 1 | |
| | C2405 | NCBA1CK-104W | C CAPACITOR | 0.1uF 16V K | 1 | |
| | C2406 | NCB31CK-105X | C CAPACITOR | 1uF 16V K | 1 | |
| | C2407 | NCB31CK-105X | C CAPACITOR | 1uF 16V K | 1 | |
| | C2410 | NCBA1CK-104W | C CAPACITOR | 0.1uF 16V K | 1 | |
| | C2413 | NCBA1CK-104W | C CAPACITOR | 0.1uF 16V K | 1 | |
| | C2416 | NCJ30JM-106X-U | C CAPACITOR | 10uF 6.3V M | 1 | |
| | C2418 | NCJ30JM-106X-U | C CAPACITOR | 10uF 6.3V M | 1 | |
| | C2419 | NCJ30JM-106X-U | C CAPACITOR | 10uF 6.3V M | 1 | |
| | C2601 | NCBA1CK-104W | C CAPACITOR | 0.1uF 16V K | 1 | |
| | C2602 | NCBA1EK-682W | C CAPACITOR | 6800pF 25V K | 1 | |
| | C2603 | NCBA1CK-153W | C CAPACITOR | 0.015uF 16V K | 1 | |
| | C2701 | NCB31CK-105X | C CAPACITOR | 1uF 16V K | 1 | |
| | C2702 | NCB31CK-105X | C CAPACITOR | 1uF 16V K | 1 | |
| | C3002 | NCB20JK-475X | C CAPACITOR | 4.7uF 6.3V K | 1 | |
| | C3003 | NCBA1CK-103W | C CAPACITOR | 0.01uF 16V K | 1 | |
| | C3005 | NCB31CK-105X | C CAPACITOR | 1uF 16V K | 1 | |
| | C3007 | NCB31CK-105X | C CAPACITOR | 1uF 16V K | 1 | |
| | C3012 | NCBA1AK-104W | C CAPACITOR | 0.1uF 10V K | 1 | |
| | C3019 | NCBA1AK-104W | C CAPACITOR | 0.1uF 10V K | 1 | |
| | C3027 | NCBA1CK-103W | C CAPACITOR | 0.01uF 16V K | 1 | |
| | C3029 | NCBA1AK-104W | C CAPACITOR | 0.1uF 10V K | 1 | |
| | C3032 | NCBA1AK-104W | C CAPACITOR | 0.1uF 10V K | 1 | |
| | C3034 | NCBA1AK-104W | C CAPACITOR | 0.1uF 10V K | 1 | |
| | C3036 | NCBA1AK-104W | C CAPACITOR | 0.1uF 10V K | 1 | |
| | C3038 | NCBA1AK-104W | C CAPACITOR | 0.1uF 10V K | 1 | |
| | C3041 | NCBA1AK-104W | C CAPACITOR | 0.1uF 10V K | 1 | |
| | C3046 | NCBA1AK-104W | C CAPACITOR | 0.1uF 10V K | 1 | |
| | C3047 | NCBA1AK-104W | C CAPACITOR | 0.1uF 10V K | 1 | |
| | C3048 | NCBA1AK-104W | C CAPACITOR | 0.1uF 10V K | 1 | |
| | C3056 | NCBA1AK-104W | C CAPACITOR | 0.1uF 10V K | 1 | |
| | C3101 | NCBA1AK-104W | C CAPACITOR | 0.1uF 10V K | 1 | |
| | C3102 | NCBA1CK-103W | C CAPACITOR | 0.01uF 16V K | 1 | |
| | C3103 | NCBA1AK-104W | C CAPACITOR | 0.1uF 10V K | 1 | |
| | C3104 | NCBA1CK-103W | C CAPACITOR | 0.01uF 16V K | 1 | |
| | C3105 | NCBA1AK-104W | C CAPACITOR | 0.1uF 10V K | 1 | |
| | C3106 | NCBA1CK-103W | C CAPACITOR | 0.01uF 16V K | 1 | |
| | C3107 | NCBA1AK-104W | C CAPACITOR | 0.1uF 10V K | 1 | |
| | C3108 | NCBA1CK-103W | C CAPACITOR | 0.01uF 16V K | 1 | |
| | C3201 | NCBA1AK-104W | C CAPACITOR | 0.1uF 10V K | 1 | |
| | C3701 | NCB31CK-105X | C CAPACITOR | 1uF 16V K | 1 | |
| | C3703 | NCB31CK-105X | C CAPACITOR | 1uF 16V K | 1 | |
| | C3705 | NCBA1CK-104W | C CAPACITOR | 0.1uF 16V K | 1 | |
| | C3706 | NCBA1CK-104W | C CAPACITOR | 0.1uF 16V K | 1 | |
| | C3707 | NCBA1CK-104W | C CAPACITOR | 0.1uF 16V K | 1 | |
| | C3708 | NCB31CK-105X | C CAPACITOR | 1uF 16V K | 1 | |
| | C3709 | NCB31CK-105X | C CAPACITOR | 1uF 16V K | 1 | |
| | C3710 | NCJ30JM-106X-U | C CAPACITOR | 10uF 6.3V M | 1 | |
| | C3711 | NCBA1CK-104W | C CAPACITOR | 0.1uF 16V K | 1 | |
| | C3712 | NCBA1CK-104W | C CAPACITOR | 0.1uF 16V K | 1 | |
| | C3713 | NCB31CK-105X | C CAPACITOR | 1uF 16V K | 1 | |
| | C4502 | NCBA1AK-104W | C CAPACITOR | 0.1uF 10V K | 1 | |
| | C4503 | NCJ30JK-475X-U | C CAPACITOR | 4.7uF 6.3V K | 1 | |
| | C4505 | NCJ30JK-475X-U | C CAPACITOR | 4.7uF 6.3V K | 1 | |
| | C4506 | NCBA1AK-104W | C CAPACITOR | 0.1uF 10V K | 1 | |
| | C4508 | NCBA1AK-104W | C CAPACITOR | 0.1uF 10V K | 1 | |
| | C4509 | NCBA1AK-104W | C CAPACITOR | 0.1uF 10V K | 1 | |
| | C4511 | NCBA1AK-104W | C CAPACITOR | 0.1uF 10V K | 1 | |
| | C4514 | NCBA1AK-104W | C CAPACITOR | 0.1uF 10V K | 1 | |
| | C4516 | NCBA1CK-103W | C CAPACITOR | 0.01uF 16V K | 1 | |

| | | | | | | | |
|-------------|------|-------------|------|-------------|------|-------------|------|
| MODEL | MARK | MODEL | MARK | MODEL | MARK | MODEL | MARK |
| GZ-HM330BEK | A | GZ-HM330BEU | B | GZ-HM330RAA | C | GZ-HM330RAC | D |
| GZ-HM330RAG | E | GZ-HM330RAH | F | GZ-HM330RAS | G | GZ-HM330SAA | H |
| GZ-HM330SAC | J | GZ-HM330SAG | K | GZ-HM330SAH | M | GZ-HM330SAS | N |
| GZ-HM330SEK | P | GZ-HM330SEU | Q | GZ-HM334BEU | R | GZ-HM335BEU | S |
| GZ-HM350BAA | T | | | | | | |

| Safe | Symbol No. | Parts No. | Parts Name | Description | QTY | Local |
|------|------------|----------------|----------------|--------------|-----|-------|
| | C4517 | NCJA0JK-105W-U | C CAPACITOR | 1uF 6.3V K | 1 | |
| | C4518 | NCJA0JK-105W-U | C CAPACITOR | 1uF 6.3V K | 1 | |
| | C4522 | NCJA0JK-105W-U | C CAPACITOR | 1uF 6.3V K | 1 | |
| | C4523 | NCJA0JK-105W-U | C CAPACITOR | 1uF 6.3V K | 1 | |
| | C4524 | NCJA0JK-105W-U | C CAPACITOR | 1uF 6.3V K | 1 | |
| | C4525 | NCBA1CK-103W | C CAPACITOR | 0.01uF 16V K | 1 | |
| | C4528 | NCBA1AK-104W | C CAPACITOR | 0.1uF 10V K | 1 | |
| | C4529 | NCJ30JK-475X-U | C CAPACITOR | 4.7uF 6.3V K | 1 | |
| | C4533 | NCBA1AK-104W | C CAPACITOR | 0.1uF 10V K | 1 | |
| | C4534 | NCBA1AK-104W | C CAPACITOR | 0.1uF 10V K | 1 | |
| | C4539 | NCJ30JK-475X-U | C CAPACITOR | 4.7uF 6.3V K | 1 | |
| | C4540 | NCBA1AK-104W | C CAPACITOR | 0.1uF 10V K | 1 | |
| | C4542 | NCBA1AK-104W | C CAPACITOR | 0.1uF 10V K | 1 | |
| | C4544 | NCBA1AK-104W | C CAPACITOR | 0.1uF 10V K | 1 | |
| | C4545 | NCJA0JK-105W-U | C CAPACITOR | 1uF 6.3V K | 1 | |
| | C4546 | NCJA0JK-105W-U | C CAPACITOR | 1uF 6.3V K | 1 | |
| | C4547 | NCJA0JK-105W-U | C CAPACITOR | 1uF 6.3V K | 1 | |
| | C4553 | NCJ30JK-475X-U | C CAPACITOR | 4.7uF 6.3V K | 1 | |
| | C4556 | NCJ30JK-475X-U | C CAPACITOR | 4.7uF 6.3V K | 1 | |
| | C4558 | NCBA1AK-104W | C CAPACITOR | 0.1uF 10V K | 1 | |
| | C4559 | NCJA0JK-105W-U | C CAPACITOR | 1uF 6.3V K | 1 | |
| | C4560 | NCBA1CK-103W | C CAPACITOR | 0.01uF 16V K | 1 | |
| | C4561 | NCJA0JK-105W-U | C CAPACITOR | 1uF 6.3V K | 1 | |
| | C4563 | NCJA0JK-105W-U | C CAPACITOR | 1uF 6.3V K | 1 | |
| | C4564 | NCJ30JK-475X-U | C CAPACITOR | 4.7uF 6.3V K | 1 | |
| | C4565 | NCJ30JK-475X-U | C CAPACITOR | 4.7uF 6.3V K | 1 | |
| | C4567 | NCB31EK-104X | C CAPACITOR | 0.1uF 25V K | 1 | |
| | C4568 | NCJA0JK-105W-U | C CAPACITOR | 1uF 6.3V K | 1 | |
| | C4573 | NCJA0JK-105W-U | C CAPACITOR | 1uF 6.3V K | 1 | |
| | C4574 | NCJA0JK-105W-U | C CAPACITOR | 1uF 6.3V K | 1 | |
| | C4901 | NCB20JK-106X | C CAPACITOR | 10uF 6.3V K | 1 | |
| | C4902 | NCB20JK-106X | C CAPACITOR | 10uF 6.3V K | 1 | |
| | C4903 | NCBA1AK-104W | C CAPACITOR | 0.1uF 10V K | 1 | |
| | C4904 | NDCA1HJ-101W | C CAPACITOR | 100pF 50V J | 1 | |
| | C4905 | NCBA1AK-104W | C CAPACITOR | 0.1uF 10V K | 1 | |
| | C4906 | NCBA1CK-103W | C CAPACITOR | 0.01uF 16V K | 1 | |
| | C4907 | NDCA1HJ-101W | C CAPACITOR | 100pF 50V J | 1 | |
| | C4908 | NCBA1AK-104W | C CAPACITOR | 0.1uF 10V K | 1 | |
| | C4909 | NCBA1AK-104W | C CAPACITOR | 0.1uF 10V K | 1 | |
| | C4910 | NCBA1HK-102W | C CAPACITOR | 1000pF 50V K | 1 | |
| | C4916 | NCB20JK-106X | C CAPACITOR | 10uF 6.3V K | 1 | |
| | C4918 | NCB20JK-106X | C CAPACITOR | 10uF 6.3V K | 1 | |
| | C4921 | NCB31CK-105X | C CAPACITOR | 1uF 16V K | 1 | |
| | C5701 | NCB20JK-106X | C CAPACITOR | 10uF 6.3V K | 1 | |
| | C6003 | NCBA1CK-104W | C CAPACITOR | 0.1uF 16V K | 1 | |
| | C6006 | NCB31CK-104X | C CAPACITOR | 0.1uF 16V K | 1 | |
| | C6007 | NCJ30JM-106X-U | C CAPACITOR | 10uF 6.3V M | 1 | |
| | C6008 | NCB31CK-104X | C CAPACITOR | 0.1uF 16V K | 1 | |
| | C6009 | NCBA1HK-152W | C CAPACITOR | 1500pF 50V K | 1 | |
| | C6010 | NCBA1HK-821W | C CAPACITOR | 820pF 50V K | 1 | |
| | C6011 | NCB31CK-104X | C CAPACITOR | 0.1uF 16V K | 1 | |
| | C6012 | NCBA1HK-102W | C CAPACITOR | 1000pF 50V K | 1 | |
| | C6015 | NDCA1HJ-220W | C CAPACITOR | 22pF 50V J | 1 | |
| | C6019 | NDCA1HJ-220W | C CAPACITOR | 22pF 50V J | 1 | |
| | C6020 | NDCA1HJ-220W | C CAPACITOR | 22pF 50V J | 1 | |
| | C6021 | NDCA1HJ-560W | C CAPACITOR | 56pF 50V J | 1 | |
| | C6023 | NCB31CK-105X | C CAPACITOR | 1uF 16V K | 1 | |
| | C6024 | NCBA1CK-104W | C CAPACITOR | 0.1uF 16V K | 1 | |
| | C6026 | NCBA1HK-221W | C CAPACITOR | 220pF 50V K | 1 | |
| | C6028 | NCB20JK-475X | C CAPACITOR | 4.7uF 6.3V K | 1 | |
| | C6031 | NCB20JK-106X | C CAPACITOR | 10uF 6.3V K | 1 | |
| | C6032 | NCB20JK-106X | C CAPACITOR | 10uF 6.3V K | 1 | |
| | C6033 | NCBA1HK-102W | C CAPACITOR | 1000pF 50V K | 1 | |
| | C6101 | NCJ20JM-226X-R | C CAPACITOR | 22uF 6.3V M | 1 | |
| | C6102 | NCB31CK-105X | C CAPACITOR | 1uF 16V K | 1 | |
| | C6103 | NCB31CK-105X | C CAPACITOR | 1uF 16V K | 1 | |
| | C6201 | NCJ20JM-226X-R | C CAPACITOR | 22uF 6.3V M | 1 | |
| | C6202 | NCB31CK-105X | C CAPACITOR | 1uF 16V K | 1 | |
| | C6205 | NCB20JK-475X | C CAPACITOR | 4.7uF 6.3V K | 1 | |
| | C6206 | NCB20JK-475X | C CAPACITOR | 4.7uF 6.3V K | 1 | |
| | C6207 | NBG80JM-226X | TA E CAPACITOR | 22uF 6.3V M | 1 | |
| | C6401 | NCJ20JM-226X-R | C CAPACITOR | 22uF 6.3V M | 1 | |
| | C6403 | NBG21AM-226X | TA E CAPACITOR | 22uF 10V M | 1 | |
| | C6404 | NCB20JK-106X | C CAPACITOR | 10uF 6.3V K | 1 | |
| | C6501 | NCJ20JM-226X-R | C CAPACITOR | 22uF 6.3V M | 1 | |
| | C6502 | NCB31CK-105X | C CAPACITOR | 1uF 16V K | 1 | |
| | C6601 | NCB11CK-475X | C CAPACITOR | 4.7uF 16V K | 1 | |
| | C6602 | NCB31CK-105X | C CAPACITOR | 1uF 16V K | 1 | |
| | C6703 | NCB20JK-106X | C CAPACITOR | 10uF 6.3V K | 1 | |
| | C6704 | NCB31CK-105X | C CAPACITOR | 1uF 16V K | 1 | |
| | C6801 | NCB20JK-106X | C CAPACITOR | 10uF 6.3V K | 1 | |
| | C6802 | NCB31CK-105X | C CAPACITOR | 1uF 16V K | 1 | |
| | C6803 | NCB20JK-106X | C CAPACITOR | 10uF 6.3V K | 1 | |
| | C7901 | NCB31CK-105X | C CAPACITOR | 1uF 16V K | 1 | |
| | C7902 | NCB31CK-105X | C CAPACITOR | 1uF 16V K | 1 | |

| MODEL | MARK | MODEL | MARK | MODEL | MARK | MODEL | MARK |
|-------------|------|-------------|------|-------------|------|-------------|------|
| GZ-HM330BEK | A | GZ-HM330BEU | B | GZ-HM330RAA | C | GZ-HM330RAC | D |
| GZ-HM330RAG | E | GZ-HM330RAH | F | GZ-HM330RAS | G | GZ-HM330SAA | H |
| GZ-HM330SAC | J | GZ-HM330SAG | K | GZ-HM330SAH | M | GZ-HM330SAS | N |
| GZ-HM330SEK | P | GZ-HM330SEU | Q | GZ-HM334BEU | R | GZ-HM335BEU | S |
| GZ-HM350BAA | T | | | | | | |

| Safe | Symbol No. | Parts No. | Parts Name | Description | QTY | Local |
|------|------------|--------------|-------------|---------------|-----|-------|
| | C7903 | NCB31CK-105X | C CAPACITOR | 1uF 16V K | 1 | |
| | C7904 | NCB31CK-105X | C CAPACITOR | 1uF 16V K | 1 | |
| | C7905 | NCB30JK-225X | C CAPACITOR | 2.2uF 6.3V K | 1 | |
| | C7906 | NCZ1083-475X | C CAPACITOR | 4.7uF/16V | 1 | |
| | C7907 | NCBA1CK-104W | C CAPACITOR | 0.1uF 16V K | 1 | |
| | R120 | NRSA6AD-680W | MG RESISTOR | 68Ω 1/16W D | 1 | |
| | R121 | NRSA6AD-680W | MG RESISTOR | 68Ω 1/16W D | 1 | |
| | R122 | NRSA6AD-680W | MG RESISTOR | 68Ω 1/16W D | 1 | |
| | R123 | NRSA6AD-680W | MG RESISTOR | 68Ω 1/16W D | 1 | |
| | R181 | NRSA6AJ-682W | MG RESISTOR | 6.8kΩ 1/16W J | 1 | |
| | R184 | NRSA6AJ-104W | MG RESISTOR | 100kΩ 1/16W J | 1 | |
| | R185 | NRSA6AJ-104W | MG RESISTOR | 100kΩ 1/16W J | 1 | |
| | R421 | NRSA6AJ-332W | MG RESISTOR | 3.3kΩ 1/16W J | 1 | |
| | R422 | NRSA6AJ-220W | MG RESISTOR | 22Ω 1/16W J | 1 | |
| | R423 | NRSA6AJ-152W | MG RESISTOR | 1.5kΩ 1/16W J | 1 | |
| | R1002 | NRSA6AJ-223W | MG RESISTOR | 22kΩ 1/16W J | 1 | |
| | R1005 | NRSA6AJ-102W | MG RESISTOR | 1kΩ 1/16W J | 1 | |
| | R1008 | NRSA6AJ-153W | MG RESISTOR | 15kΩ 1/16W J | 1 | |
| | R1009 | NRSA6AJ-153W | MG RESISTOR | 15kΩ 1/16W J | 1 | |
| | R1012 | NRSA6AJ-121W | MG RESISTOR | 120Ω 1/16W J | 1 | |
| | R1013 | NRSA6AJ-473W | MG RESISTOR | 47kΩ 1/16W J | 1 | |
| | R1015 | NRSA6AJ-101W | MG RESISTOR | 100Ω 1/16W J | 1 | |
| | R1017 | NRSA6AJ-393W | MG RESISTOR | 39kΩ 1/16W J | 1 | |
| | R1021 | NRSA6AJ-223W | MG RESISTOR | 22kΩ 1/16W J | 1 | |
| | R1022 | NRSA6AJ-223W | MG RESISTOR | 22kΩ 1/16W J | 1 | |
| | R1023 | NRSA6AJ-474W | MG RESISTOR | 470kΩ 1/16W J | 1 | |
| | R1025 | NRSA6AJ-393W | MG RESISTOR | 39kΩ 1/16W J | 1 | |
| | R1026 | NRSA6AJ-224W | MG RESISTOR | 220kΩ 1/16W J | 1 | |
| | R1027 | NRSA6AD-103W | MG RESISTOR | 10kΩ 1/16W D | 1 | |
| | R1030 | NRSA6AJ-473W | MG RESISTOR | 47kΩ 1/16W J | 1 | |
| | R1031 | NRSA6AJ-102W | MG RESISTOR | 1kΩ 1/16W J | 1 | |
| | R1032 | NRSA6AJ-102W | MG RESISTOR | 1kΩ 1/16W J | 1 | |
| | R1033 | NRSA6AJ-104W | MG RESISTOR | 100kΩ 1/16W J | 1 | |
| | R1038 | NRSA6AJ-103W | MG RESISTOR | 10kΩ 1/16W J | 1 | |
| | R1042 | NRSA6AJ-102W | MG RESISTOR | 1kΩ 1/16W J | 1 | |
| | R1047 | NRSA6AJ-101W | MG RESISTOR | 100Ω 1/16W J | 1 | |
| | R1050 | NRSA6AJ-102W | MG RESISTOR | 1kΩ 1/16W J | 1 | |
| | R1052 | NRSA6AJ-103W | MG RESISTOR | 10kΩ 1/16W J | 1 | |
| | R1053 | NRSA6AJ-104W | MG RESISTOR | 100kΩ 1/16W J | 1 | |
| | R1054 | NRSA6AJ-104W | MG RESISTOR | 100kΩ 1/16W J | 1 | |
| | R1056 | NRSA6AJ-102W | MG RESISTOR | 1kΩ 1/16W J | 1 | |
| | R1058 | NRSA6AJ-102W | MG RESISTOR | 1kΩ 1/16W J | 1 | |
| | R1061 | NRSA6AJ-821W | MG RESISTOR | 820Ω 1/16W J | 1 | |
| | R1063 | NRSA6AJ-103W | MG RESISTOR | 10kΩ 1/16W J | 1 | |
| | R1076 | NRSA6AJ-101W | MG RESISTOR | 100Ω 1/16W J | 1 | |
| | R1077 | NRSA6AJ-101W | MG RESISTOR | 100Ω 1/16W J | 1 | |
| | R1079 | NRSA6AJ-102W | MG RESISTOR | 1kΩ 1/16W J | 1 | |
| | R1080 | NRSA6AJ-102W | MG RESISTOR | 1kΩ 1/16W J | 1 | |
| | R1083 | NRSA6AJ-181W | MG RESISTOR | 180Ω 1/16W J | 1 | |
| | R1085 | NRSA6AJ-102W | MG RESISTOR | 1kΩ 1/16W J | 1 | |
| | R1086 | NRSA6AJ-102W | MG RESISTOR | 1kΩ 1/16W J | 1 | |
| | R1087 | NRSA6AJ-102W | MG RESISTOR | 1kΩ 1/16W J | 1 | |
| | R1088 | NRSA6AJ-102W | MG RESISTOR | 1kΩ 1/16W J | 1 | |
| | R1091 | NRSA6AJ-102W | MG RESISTOR | 1kΩ 1/16W J | 1 | |
| | R1092 | NRSA6AJ-473W | MG RESISTOR | 47kΩ 1/16W J | 1 | |
| | R1094 | NRSA6AJ-101W | MG RESISTOR | 100Ω 1/16W J | 1 | |
| | R1095 | NRSA6AJ-102W | MG RESISTOR | 1kΩ 1/16W J | 1 | |
| | R1096 | NRSA6AJ-102W | MG RESISTOR | 1kΩ 1/16W J | 1 | |
| | R1098 | NRSA6AJ-102W | MG RESISTOR | 1kΩ 1/16W J | 1 | |
| | R1108 | NRSA6AJ-101W | MG RESISTOR | 100Ω 1/16W J | 1 | |
| | R1109 | NRSA6AJ-102W | MG RESISTOR | 1kΩ 1/16W J | 1 | |
| | R1110 | NRSA6AJ-104W | MG RESISTOR | 100kΩ 1/16W J | 1 | |
| | R1111 | NRSA6AJ-101W | MG RESISTOR | 100Ω 1/16W J | 1 | |
| | R1112 | NRSA6AJ-101W | MG RESISTOR | 100Ω 1/16W J | 1 | |
| | R1113 | NRSA6AJ-101W | MG RESISTOR | 100Ω 1/16W J | 1 | |
| | R1115 | NRSA6AJ-102W | MG RESISTOR | 1kΩ 1/16W J | 1 | |
| | R1116 | NRSA6AJ-101W | MG RESISTOR | 100Ω 1/16W J | 1 | |
| | R1117 | NRSA6AJ-822W | MG RESISTOR | 8.2kΩ 1/16W J | 1 | |
| | R1118 | NRSA6AJ-101W | MG RESISTOR | 100Ω 1/16W J | 1 | |
| | R1124 | NRSA6AJ-0R0W | MG RESISTOR | 0Ω 1/16W J | 1 | |
| | R1131 | NRSA6AJ-473W | MG RESISTOR | 47kΩ 1/16W J | 1 | |
| | R1159 | NRSA6AJ-473W | MG RESISTOR | 47kΩ 1/16W J | 1 | |
| | R1160 | NRSA6AJ-102W | MG RESISTOR | 1kΩ 1/16W J | 1 | |
| | R1161 | NRSA6AJ-102W | MG RESISTOR | 1kΩ 1/16W J | 1 | |
| | R1174 | NRSA6AJ-101W | MG RESISTOR | 100Ω 1/16W J | 1 | |
| | R1182 | NRSA6AJ-102W | MG RESISTOR | 1kΩ 1/16W J | 1 | |
| | R1214 | NRSA6AJ-102W | MG RESISTOR | 1kΩ 1/16W J | 1 | |
| | R1218 | NRSA6AJ-473W | MG RESISTOR | 47kΩ 1/16W J | 1 | |
| | R2101 | NRSA6AJ-222W | MG RESISTOR | 2.2kΩ 1/16W J | 1 | |
| | R2102 | NRSA6AJ-222W | MG RESISTOR | 2.2kΩ 1/16W J | 1 | |
| | R2404 | NRSA6AJ-100W | MG RESISTOR | 10Ω 1/16W J | 1 | |
| | R2405 | NRSA6AJ-472W | MG RESISTOR | 4.7kΩ 1/16W J | 1 | |
| | R2406 | NRSA6AJ-183W | MG RESISTOR | 18kΩ 1/16W J | 1 | |
| | R2407 | NRSA6AJ-223W | MG RESISTOR | 22kΩ 1/16W J | 1 | |
| | R2412 | NRSA6AJ-100W | MG RESISTOR | 10Ω 1/16W J | 1 | |
| | R2601 | NRSA6AJ-563W | MG RESISTOR | 56kΩ 1/16W J | 1 | |
| | R2602 | NRSA6AJ-682W | MG RESISTOR | 6.8kΩ 1/16W J | 1 | |

| | | | | | | | |
|-------------|------|-------------|------|-------------|------|-------------|------|
| MODEL | MARK | MODEL | MARK | MODEL | MARK | MODEL | MARK |
| GZ-HM330BEK | A | GZ-HM330BEU | B | GZ-HM330RAA | C | GZ-HM330RAC | D |
| GZ-HM330RAG | E | GZ-HM330RAH | F | GZ-HM330RAS | G | GZ-HM330SAA | H |
| GZ-HM330SAC | J | GZ-HM330SAG | K | GZ-HM330SAH | M | GZ-HM330SAS | N |
| GZ-HM330SEK | P | GZ-HM330SEU | Q | GZ-HM334BEU | R | GZ-HM335BEU | S |
| GZ-HM350BAA | T | | | | | | |

| Safe | Symbol No. | Parts No. | Parts Name | Description | QTY | Local |
|------|------------|--------------|-------------|---------------|-----|-------|
| | R2603 | NRSA6AJ-272W | MG RESISTOR | 2.7kΩ 1/16W J | 1 | |
| | R2701 | NRSA6AJ-821W | MG RESISTOR | 820Ω 1/16W J | 1 | |
| | R2702 | NRSA6AJ-821W | MG RESISTOR | 820Ω 1/16W J | 1 | |
| | R2703 | NRSA6AJ-564W | MG RESISTOR | 560kΩ 1/16W J | 1 | |
| | R2704 | NRSA6AJ-564W | MG RESISTOR | 560kΩ 1/16W J | 1 | |
| | R2705 | NRSA6AJ-332W | MG RESISTOR | 3.3kΩ 1/16W J | 1 | |
| | R3002 | NRSA6AJ-820W | MG RESISTOR | 82Ω 1/16W J | 1 | |
| | R3004 | NRSA6AJ-680W | MG RESISTOR | 68Ω 1/16W J | 1 | |
| | R3005 | NRSA6AJ-820W | MG RESISTOR | 82Ω 1/16W J | 1 | |
| | R3006 | NRSA6AJ-102W | MG RESISTOR | 1kΩ 1/16W J | 1 | |
| | R3010 | NRSA6AJ-390W | MG RESISTOR | 39Ω 1/16W J | 1 | |
| | R3011 | NRSA6AJ-390W | MG RESISTOR | 39Ω 1/16W J | 1 | |
| | R3012 | NRSA6AJ-113W | MG RESISTOR | 11kΩ 1/16W J | 1 | |
| | R3013 | NRSA6AJ-0R0W | MG RESISTOR | 0Ω 1/16W J | 1 | |
| | R3014 | NRSA6AJ-0R0W | MG RESISTOR | 0Ω 1/16W J | 1 | |
| | R3015 | NRSA6AJ-0R0W | MG RESISTOR | 0Ω 1/16W J | 1 | |
| | R3016 | NRSA6AJ-0R0W | MG RESISTOR | 0Ω 1/16W J | 1 | |
| | R3017 | NRSA6AJ-0R0W | MG RESISTOR | 0Ω 1/16W J | 1 | |
| | R3019 | NRSA6AJ-103W | MG RESISTOR | 10kΩ 1/16W J | 1 | |
| | R3020 | NRSA6AJ-221W | MG RESISTOR | 220Ω 1/16W J | 1 | |
| | R3022 | NRSA6AJ-103W | MG RESISTOR | 10kΩ 1/16W J | 1 | |
| | R3030 | NRSA6AJ-104W | MG RESISTOR | 100kΩ 1/16W J | 1 | |
| | R3032 | NRSA6AJ-122W | MG RESISTOR | 1.2kΩ 1/16W J | 1 | |
| | R3033 | NRSA6AJ-122W | MG RESISTOR | 1.2kΩ 1/16W J | 1 | |
| | R3034 | NRSA6AJ-122W | MG RESISTOR | 1.2kΩ 1/16W J | 1 | |
| | R3036 | NRSA6AJ-222W | MG RESISTOR | 2.2kΩ 1/16W J | 1 | |
| | R3037 | NRSA6AJ-222W | MG RESISTOR | 2.2kΩ 1/16W J | 1 | |
| | R3040 | NRSA6AJ-104W | MG RESISTOR | 100kΩ 1/16W J | 1 | |
| | R3041 | NRSA6AJ-473W | MG RESISTOR | 47kΩ 1/16W J | 1 | |
| | R3049 | NRSA6AJ-820W | MG RESISTOR | 82Ω 1/16W J | 1 | |
| | R3062 | NRSA6AJ-0R0W | MG RESISTOR | 0Ω 1/16W J | 1 | |
| | R3067 | NRSA6AJ-0R0W | MG RESISTOR | 0Ω 1/16W J | 1 | |
| | R3092 | NRSA6AJ-0R0W | MG RESISTOR | 0Ω 1/16W J | 1 | |
| | R3093 | NRSA6AJ-0R0W | MG RESISTOR | 0Ω 1/16W J | 1 | |
| | R3094 | NRSA6AJ-0R0W | MG RESISTOR | 0Ω 1/16W J | 1 | |
| | R3101 | NRSA6AJ-101W | MG RESISTOR | 100Ω 1/16W J | 1 | |
| | R3102 | NRSA6AJ-101W | MG RESISTOR | 100Ω 1/16W J | 1 | |
| | R3103 | NRSA6AJ-101W | MG RESISTOR | 100Ω 1/16W J | 1 | |
| | R3104 | NRSA6AJ-101W | MG RESISTOR | 100Ω 1/16W J | 1 | |
| | R3111 | NRSA6AJ-101W | MG RESISTOR | 100Ω 1/16W J | 1 | |
| | R3112 | NRSA6AJ-101W | MG RESISTOR | 100Ω 1/16W J | 1 | |
| | R3113 | NRSA6AJ-101W | MG RESISTOR | 100Ω 1/16W J | 1 | |
| | R3114 | NRSA6AJ-101W | MG RESISTOR | 100Ω 1/16W J | 1 | |
| | R3121 | NRSA6AJ-101W | MG RESISTOR | 100Ω 1/16W J | 1 | |
| | R3122 | NRSA6AJ-101W | MG RESISTOR | 100Ω 1/16W J | 1 | |
| | R3123 | NRSA6AJ-101W | MG RESISTOR | 100Ω 1/16W J | 1 | |
| | R3124 | NRSA6AJ-101W | MG RESISTOR | 100Ω 1/16W J | 1 | |
| | R3201 | NRSA6AJ-473W | MG RESISTOR | 47kΩ 1/16W J | 1 | |
| | R3205 | NRSA6AJ-473W | MG RESISTOR | 47kΩ 1/16W J | 1 | |
| | R3751 | NRSA6AJ-332W | MG RESISTOR | 3.3kΩ 1/16W J | 1 | |
| | R3752 | NRSA6AJ-822W | MG RESISTOR | 8.2kΩ 1/16W J | 1 | |
| | R3753 | NRSA6AJ-103W | MG RESISTOR | 10kΩ 1/16W J | 1 | |
| | R3754 | NRSA6AJ-103W | MG RESISTOR | 10kΩ 1/16W J | 1 | |
| | R4517 | NRSA6AJ-101W | MG RESISTOR | 100Ω 1/16W J | 1 | |
| | R4518 | NRSA6AJ-0R0W | MG RESISTOR | 0Ω 1/16W J | 1 | |
| | R4522 | NRSA6AJ-101W | MG RESISTOR | 100Ω 1/16W J | 1 | |
| | R4523 | NRSA6AJ-101W | MG RESISTOR | 100Ω 1/16W J | 1 | |
| | R4524 | NRSA6AJ-101W | MG RESISTOR | 100Ω 1/16W J | 1 | |
| | R4525 | NRSA6AJ-101W | MG RESISTOR | 100Ω 1/16W J | 1 | |
| | R4526 | NRSA6AJ-101W | MG RESISTOR | 100Ω 1/16W J | 1 | |
| | R4527 | NRSA6AJ-101W | MG RESISTOR | 100Ω 1/16W J | 1 | |
| | R4529 | NRSA6AJ-102W | MG RESISTOR | 1kΩ 1/16W J | 1 | |
| | R4542 | NRSA6AJ-101W | MG RESISTOR | 100Ω 1/16W J | 1 | |
| | R4550 | NRSA6AJ-273W | MG RESISTOR | 27kΩ 1/16W J | 1 | |
| | R4552 | NRSA6AJ-0R0W | MG RESISTOR | 0Ω 1/16W J | 1 | |
| | R4553 | NRSA6AJ-103W | MG RESISTOR | 10kΩ 1/16W J | 1 | |
| | R4554 | NRSA6AD-511W | MG RESISTOR | 510Ω 1/16W D | 1 | |
| | R4555 | NRSA6AJ-682W | MG RESISTOR | 6.8kΩ 1/16W J | 1 | |
| | R4556 | NRSA6AJ-101W | MG RESISTOR | 100Ω 1/16W J | 1 | |
| | R4557 | NRSA6AJ-101W | MG RESISTOR | 100Ω 1/16W J | 1 | |
| | R4560 | NRSA6AD-222W | MG RESISTOR | 2.2kΩ 1/16W D | 1 | |
| | R4561 | NRSA6AD-222W | MG RESISTOR | 2.2kΩ 1/16W D | 1 | |
| | R4562 | NRSA6AD-222W | MG RESISTOR | 2.2kΩ 1/16W D | 1 | |
| | R4563 | NRSA6AD-474W | MG RESISTOR | 470kΩ 1/16W D | 1 | |
| | R4564 | NRSA6AD-103W | MG RESISTOR | 10kΩ 1/16W D | 1 | |
| | R4565 | NRSA6AD-133W | MG RESISTOR | 13kΩ 1/16W D | 1 | |
| | R4566 | NRSA6AD-183W | MG RESISTOR | 18kΩ 1/16W D | 1 | |
| | R4567 | NRSA6AJ-0R0W | MG RESISTOR | 0Ω 1/16W J | 1 | |
| | R4569 | NRSA6AJ-100W | MG RESISTOR | 10Ω 1/16W J | 1 | |
| | R4575 | NRSA6AD-101W | MG RESISTOR | 100Ω 1/16W D | 1 | |
| | R4576 | NRSA6AD-101W | MG RESISTOR | 100Ω 1/16W D | 1 | |
| | R4577 | NRSA6AJ-152W | MG RESISTOR | 1.5kΩ 1/16W J | 1 | |
| | R4578 | NRSA6AJ-152W | MG RESISTOR | 1.5kΩ 1/16W J | 1 | |
| | R4580 | NRSA6AD-151W | MG RESISTOR | 150Ω 1/16W D | 1 | |
| | R4583 | NRSA6AJ-182W | MG RESISTOR | 1.8kΩ 1/16W J | 1 | |
| | R4584 | NRSA6AJ-182W | MG RESISTOR | 1.8kΩ 1/16W J | 1 | |
| | R4588 | NRSA6AJ-102W | MG RESISTOR | 1kΩ 1/16W J | 1 | |

| MODEL | MARK | MODEL | MARK | MODEL | MARK | MODEL | MARK |
|-------------|------|-------------|------|-------------|------|-------------|------|
| GZ-HM330BEK | A | GZ-HM330BEU | B | GZ-HM330RAA | C | GZ-HM330RAC | D |
| GZ-HM330RAG | E | GZ-HM330RAH | F | GZ-HM330RAS | G | GZ-HM330SAA | H |
| GZ-HM330SAC | J | GZ-HM330SAG | K | GZ-HM330SAH | M | GZ-HM330SAS | N |
| GZ-HM330SEK | P | GZ-HM330SEU | Q | GZ-HM334BEU | R | GZ-HM335BEU | S |
| GZ-HM350BAA | T | | | | | | |

| Safe | Symbol No. | Parts No. | Parts Name | Description | QTY | Local |
|------|------------|--------------|--------------|---------------|-----|-------|
| | R4590 | NRSA6AJ-103W | MG RESISTOR | 10kΩ 1/16W J | 1 | |
| | R4591 | NRSA6AJ-101W | MG RESISTOR | 100Ω 1/16W J | 1 | |
| | R4901 | NRSA6AJ-103W | MG RESISTOR | 10kΩ 1/16W J | 1 | |
| | R4902 | NRSA6AJ-103W | MG RESISTOR | 10kΩ 1/16W J | 1 | |
| | R4903 | NRSA6AJ-103W | MG RESISTOR | 10kΩ 1/16W J | 1 | |
| | R4906 | NRSA6AJ-101W | MG RESISTOR | 100Ω 1/16W J | 1 | |
| | R4909 | NRSA6AJ-331W | MG RESISTOR | 330Ω 1/16W J | 1 | |
| | R4910 | NRSA6AJ-331W | MG RESISTOR | 330Ω 1/16W J | 1 | |
| | R4913 | NRSA6AJ-121W | MG RESISTOR | 120Ω 1/16W J | 1 | |
| | R4914 | NRSA6AJ-121W | MG RESISTOR | 120Ω 1/16W J | 1 | |
| | R4922 | NRSA6AJ-123W | MG RESISTOR | 12kΩ 1/16W J | 1 | |
| | R4923 | NRSA6AJ-123W | MG RESISTOR | 12kΩ 1/16W J | 1 | |
| | R4924 | NRSA6AJ-562W | MG RESISTOR | 5.6kΩ 1/16W J | 1 | |
| | R4925 | NRSA6AJ-122W | MG RESISTOR | 1.2kΩ 1/16W J | 1 | |
| | R4926 | NRSA6AJ-181W | MG RESISTOR | 180Ω 1/16W J | 1 | |
| | R5701 | NRSA6AD-333W | MG RESISTOR | 33kΩ 1/16W D | 1 | |
| | R5702 | NRSA6AD-333W | MG RESISTOR | 33kΩ 1/16W D | 1 | |
| | R5703 | NRSA6AJ-473W | MG RESISTOR | 47kΩ 1/16W J | 1 | |
| | R5704 | NRSA6AJ-473W | MG RESISTOR | 47kΩ 1/16W J | 1 | |
| | R5707 | NRSA6AJ-121W | MG RESISTOR | 120Ω 1/16W J | 1 | |
| | R5708 | NRSA6AJ-121W | MG RESISTOR | 120Ω 1/16W J | 1 | |
| | R5711 | NRSA6AJ-822W | MG RESISTOR | 8.2kΩ 1/16W J | 1 | |
| | R5712 | NRSA6AJ-473W | MG RESISTOR | 47kΩ 1/16W J | 1 | |
| | R6002 | NRSA6AJ-474W | MG RESISTOR | 470kΩ 1/16W J | 1 | |
| | R6004 | NRSA6AD-624W | MG RESISTOR | 620kΩ 1/16W D | 1 | |
| | R6005 | NRSA6AD-564W | MG RESISTOR | 560kΩ 1/16W D | 1 | |
| | R6006 | NRSA6AD-474W | MG RESISTOR | 470kΩ 1/16W D | 1 | |
| | R6007 | NRSA6AD-624W | MG RESISTOR | 620kΩ 1/16W D | 1 | |
| | R6008 | NRSA6AD-103W | MG RESISTOR | 10kΩ 1/16W D | 1 | |
| | R6009 | NRSA6AD-473W | MG RESISTOR | 47kΩ 1/16W D | 1 | |
| | R6010 | NRSA6AD-473W | MG RESISTOR | 47kΩ 1/16W D | 1 | |
| | R6013 | NRSA6AJ-101W | MG RESISTOR | 100Ω 1/16W J | 1 | |
| | R6014 | NRV142F-R20X | CMF RESISTOR | 0.2Ω 1/4W F | 1 | |
| | R6015 | NRSA6AJ-104W | MG RESISTOR | 100kΩ 1/16W J | 1 | |
| | R6017 | NRSA6AJ-105W | MG RESISTOR | 1MΩ 1/16W J | 1 | |
| | R6018 | NRSA6AJ-0R0W | MG RESISTOR | 0Ω 1/16W J | 1 | |
| | R6019 | NRSA6AJ-102W | MG RESISTOR | 1kΩ 1/16W J | 1 | |
| | R6101 | NRSA6AD-334W | MG RESISTOR | 330kΩ 1/16W D | 1 | |
| | R6102 | NRSA6AD-134W | MG RESISTOR | 130kΩ 1/16W D | 1 | |
| | R6108 | NRSA6AJ-273W | MG RESISTOR | 27kΩ 1/16W J | 1 | |
| | R6201 | NRSA6AD-334W | MG RESISTOR | 330kΩ 1/16W D | 1 | |
| | R6202 | NRSA6AD-134W | MG RESISTOR | 130kΩ 1/16W D | 1 | |
| | R6204 | NRSA6AJ-0R0W | MG RESISTOR | 0Ω 1/16W J | 1 | |
| | R6206 | NRSA63J-0R0X | MG RESISTOR | 0Ω 1/10W J | 1 | |
| | R6301 | NRSA6AD-333W | MG RESISTOR | 33kΩ 1/16W D | 1 | |
| | R6401 | NRSA6AD-434W | MG RESISTOR | 430kΩ 1/16W D | 1 | |
| | R6402 | NRSA6AD-823W | MG RESISTOR | 82kΩ 1/16W D | 1 | |
| | R6404 | NRSA6AJ-333W | MG RESISTOR | 33kΩ 1/16W J | 1 | |
| | R6409 | NRSA6AJ-563W | MG RESISTOR | 56kΩ 1/16W J | 1 | |
| | R6410 | NRSA63J-0R0X | MG RESISTOR | 0Ω 1/10W J | 1 | |
| | R6411 | NRSA63J-0R0X | MG RESISTOR | 0Ω 1/10W J | 1 | |
| | R6412 | NRSA6AJ-222W | MG RESISTOR | 2.2kΩ 1/16W J | 1 | |
| | R6501 | NRSA6AD-303W | MG RESISTOR | 30kΩ 1/16W D | 1 | |
| | R6502 | NRSA6AD-243W | MG RESISTOR | 24kΩ 1/16W D | 1 | |
| | R6503 | NRSA6AJ-0R0W | MG RESISTOR | 0Ω 1/16W J | 1 | |
| | R6507 | NRSA63J-0R0X | MG RESISTOR | 0Ω 1/10W J | 1 | |
| | R6601 | NRSA6AD-753W | MG RESISTOR | 75kΩ 1/16W D | 1 | |
| | R6602 | NRSA6AD-103W | MG RESISTOR | 10kΩ 1/16W D | 1 | |
| | R6605 | NRSA63J-0R0X | MG RESISTOR | 0Ω 1/10W J | 1 | |
| | R6606 | NRSA6AJ-474W | MG RESISTOR | 470kΩ 1/16W J | 1 | |
| | R6701 | NRSA6AD-752W | MG RESISTOR | 7.5kΩ 1/16W D | 1 | |
| | R6703 | NRSA6AD-203W | MG RESISTOR | 20kΩ 1/16W D | 1 | |
| | R6704 | NRSA6AJ-222W | MG RESISTOR | 2.2kΩ 1/16W J | 1 | |
| | R6705 | NRSA6AJ-103W | MG RESISTOR | 10kΩ 1/16W J | 1 | |
| | R6801 | NRSA6AD-163W | MG RESISTOR | 16kΩ 1/16W D | 1 | |
| | R6802 | NRSA6AD-513W | MG RESISTOR | 51kΩ 1/16W D | 1 | |
| | R6803 | NRSA6AJ-0R0W | MG RESISTOR | 0Ω 1/16W J | 1 | |
| | R6901 | NRSA6AD-244W | MG RESISTOR | 240kΩ 1/16W D | 1 | |
| | R6902 | NRSA6AD-304W | MG RESISTOR | 300kΩ 1/16W D | 1 | |
| | R7904 | NRSA6AJ-104W | MG RESISTOR | 100kΩ 1/16W J | 1 | |
| | RA1001 | NRZ0087-104W | NET RESISTOR | 100kΩ | 1 | |
| | RA1002 | NRZ0087-102W | NET RESISTOR | 1kΩ | 1 | |
| | RA3003 | NRZ0087-104W | NET RESISTOR | 100kΩ | 1 | |
| | RA3007 | NRZ0087-820W | NET RESISTOR | 82Ω | 1 | |
| | RA3008 | NRZ0087-820W | NET RESISTOR | 82Ω | 1 | |
| | RA4502 | NRB04CJ-100W | NET RESISTOR | 10Ω J | 1 | |
| | RA4503 | NRB04CJ-100W | NET RESISTOR | 10Ω J | 1 | |
| | RA4506 | NRZ0087-101W | NET RESISTOR | 100Ω 1/15W J | 1 | |
| | L111 | NRSA02J-0R0X | MG RESISTOR | 0Ω 1/10W J | 1 | |
| | L601 | NQR0506-002X | EMI FILTER | | 1 | |
| | L661 | NQL38DK-100X | P COIL | 10uH K | 1 | |
| | L1001 | NQL38DK-100X | P COIL | 10uH K | 1 | |
| | L1002 | NQL38DK-100X | P COIL | 10uH K | 1 | |
| | L1003 | NQL38DK-100X | P COIL | 10uH K | 1 | |
| | L1004 | NQL38DK-100X | P COIL | 10uH K | 1 | |

| MODEL | MARK | MODEL | MARK | MODEL | MARK | MODEL | MARK |
|-------------|------|-------------|------|-------------|------|-------------|------|
| GZ-HM330BEK | A | GZ-HM330BEU | B | GZ-HM330RAA | C | GZ-HM330RAC | D |
| GZ-HM330RAG | E | GZ-HM330RAH | F | GZ-HM330RAS | G | GZ-HM330SAA | H |
| GZ-HM330SAC | J | GZ-HM330SAG | K | GZ-HM330SAH | M | GZ-HM330SAS | N |
| GZ-HM330SEK | P | GZ-HM330SEU | Q | GZ-HM334BEU | R | GZ-HM335BEU | S |
| GZ-HM350BAA | T | | | | | | |

| Safe | Symbol No. | Parts No. | Parts Name | Description | QTY | Local |
|---|------------|----------------|-------------------|----------------|-----|-------|
| | L2401 | NQLG13M-100X | COIL | 10uH M | 1 | |
| | L2404 | NQLG13M-100X | COIL | 10uH M | 1 | |
| | L2406 | NQLG13M-100X | COIL | 10uH M | 1 | |
| | L2407 | NQLG13M-100X | COIL | 10uH M | 1 | |
| | L3001 | NQR0499-001X | FERRITE BEADS | | 1 | |
| | L3008 | NRSA6AJ-0R0W | MG RESISTOR | 0Ω 1/16W J | 1 | |
| | L3010 | NQR0286-009X | FERRITE BEADS | | 1 | |
| | L3011 | NQR0286-009X | FERRITE BEADS | | 1 | |
| | L4501 | NQR0640-001X | EMI FILTER | | 1 | |
| | L4502 | NQR0640-001X | EMI FILTER | | 1 | |
| | L6101 | NQLH8GM-100X | COIL | 10uH M | 1 | |
| | L6201 | NQLJ5EM-100X | P COIL | 10uH M | 1 | |
| | L6401 | NQLH7EN-4R7X | COIL | 4.7uH N | 1 | |
| | L6501 | NQLJ5EM-4R7X | P COIL | 4.7uH M | 1 | |
| | L6601 | NQLH5EM-2R2X | COIL | 2.2uH M | 1 | |
| | L6702 | NQLG4EM-4R7X | COIL | 4.7uH M | 1 | |
| | L6801 | NQLG4EM-4R7X | COIL | 4.7uH M | 1 | |
| | CN101 | QGF0309F2-29X | CONNECTOR | FFC/FPC (1-29) | 1 | |
| | CN102 | QGF0528F4-40X | CONNECTOR | FFC/FPC (1-40) | 1 | |
| | CN103 | QGF0528F4-50X | CONNECTOR | FFC/FPC (1-50) | 1 | |
| | CN104 | QGF0534F2-06X | CONNECTOR | FFC/FPC (1-6) | 1 | |
| | CN106 | QGF0543F3-25X | CONNECTOR | FFC/FPC (1-25) | 1 | |
| | CN110 | QGB0519J1-20X | CONNECTOR | B-B (1-20) | 1 | |
| | CN111 | QGF0543F3-07X | CONNECTOR | FFC/FPC (1-7) | 1 | |
| | CN114 | QGF0560F1-40X | CONNECTOR | FFC/FPC (1-40) | 1 | |
| | CN115 | QGF0543F3-08X | CONNECTOR | FFC/FPC (1-8) | 1 | |
| | CN117 | QGF0543F3-06X | CONNECTOR | FFC/FPC (1-6) | 1 | |
| | CN211 | QGF0543F3-06X | CONNECTOR | FFC/FPC (1-6) | 1 | |
| | CN281 | QGA1001F1-02X | CONNECTOR | W-B (1-2) | 1 | |
| | CN4202 | QGA0401F2-25W | CONNECTOR | W-B (1-25) | 1 | |
| | K2101 | NQR0559-009X | FERRITE BEADS | | 1 | |
| | K2102 | NQR0559-009X | FERRITE BEADS | | 1 | |
| | K2103 | NQR0559-009X | FERRITE BEADS | | 1 | |
| | K4501 | NRSA63D-330X | MG RESISTOR | 33Ω 1/16W D | 1 | |
| | K4502 | NQR0154-003X | FERRITE CORE | | 1 | |
| | K4506 | NRSA63J-0R0X | MG RESISTOR | 0Ω 1/10W J | 1 | |
| | K4509 | NQR0599-003X | FERRITE BEADS | | 1 | |
| | K4511 | NQR0154-003X | FERRITE CORE | | 1 | |
| | K4512 | NQR0599-003X | FERRITE BEADS | | 1 | |
| | K4513 | NQR0006-001X | FERRITE BEADS | | 1 | |
| | K4514 | NQR0415-001X | EMI FILTER | 1uF 10V M | 1 | |
| | K4515 | NQR0599-003X | FERRITE BEADS | | 1 | |
| | K4516 | NQR0599-003X | FERRITE BEADS | | 1 | |
| | S101 | NSW0322-001X | LEVER SWITCH | | 1 | |
| | TP1 | NNZ0163-001X | EARTH TERMINAL | | 1 | |
| | TP3 | NNZ0163-001X | EARTH TERMINAL | | 1 | |
| | X1001 | NAX0647-001X | C RESONATOR | 20.000MHz | 1 | |
| | X1002 | NAX0491-001X | CRYSTAL | 32.768kHz | 1 | |
| | X3001 | NAX1039-001X | C RESONATOR | 48.000MHz | 1 | |
| SENSOR BOARD ASSEMBLY <03> | | | | | | |
| | PW351 | LYA10205-01G2 | SENSOR BOARD ASSY | | 1 | |
| | CN351 | QGF0549C2-10W | CONNECTOR | FFC/FPC (1-10) | 1 | |
| REAR BOARD ASSEMBLY <05> | | | | | | |
| | PW601 | LYA10204-03B | REAR BOARD ASSY | | 1 | |
| | IC601 | R1100D331C-X | IC | | 1 | |
| | IC631 | NAL0088-001X | GYRO SENSOR | | 1 | |
| | Q601 | TPCP8302-X | MOS FET ARRAY | | 1 | |
| | D601 | RKZ6.8B2KG-X | Z DIODE | | 1 | |
| | D602 | MA8100-X | Z DIODE | | 1 | |
| | D602 | UDZW10B-X | Z DIODE | | 1 | |
| | D604 | MA8068-X | Z DIODE | | 1 | |
| | D604 | UDZW6.8B-X | Z DIODE | | 1 | |
| | D606 | RB751V-40-X | SB DIODE | | 1 | |
| | D608 | RB715W-X | SB DIODE | | 1 | |
| | D611 | LNJ353W83-X | LED | | 1 | |
| | D612 | LHQ974/LM-X | LED | | 1 | |
| | D613 | MA8068-X | Z DIODE | | 1 | |
| | D613 | UDZW6.8B-X | Z DIODE | | 1 | |
| | C603 | NCB31HK-102X | C CAPACITOR | 1000pF 50V K | 1 | |
| | C604 | NCB31HK-102X | C CAPACITOR | 1000pF 50V K | 1 | |
| | C606 | NCB31CK-104X | C CAPACITOR | 0.1uF 16V K | 1 | |
| | C607 | NCB31CK-104X | C CAPACITOR | 0.1uF 16V K | 1 | |
| | C608 | NCB31CK-104X | C CAPACITOR | 0.1uF 16V K | 1 | |
| | C609 | NCB31CK-105X | C CAPACITOR | 1uF 16V K | 1 | |
| | C610 | NCB31CK-105X | C CAPACITOR | 1uF 16V K | 1 | |
| | C630 | NCB31CK-683X | C CAPACITOR | 0.068uF 16V K | 1 | |
| | C631 | NCB31HK-102X | C CAPACITOR | 1000pF 50V K | 1 | |
| | C632 | NCJ30JM-106X-U | C CAPACITOR | 10uF 6.3V M | 1 | |
| | C633 | NCB31HK-103X | C CAPACITOR | 0.01uF 50V K | 1 | |
| | C634 | NCB31CK-683X | C CAPACITOR | 0.068uF 16V K | 1 | |
| | C635 | NCB31HK-103X | C CAPACITOR | 0.01uF 50V K | 1 | |
| | C636 | NCJ30JM-106X-U | C CAPACITOR | 10uF 6.3V M | 1 | |
| | C637 | NCB31HK-102X | C CAPACITOR | 1000pF 50V K | 1 | |
| | C638 | NCB31HK-104X | C CAPACITOR | 0.1uF 50V K | 1 | |
| | C639 | NCJ30JM-106X-U | C CAPACITOR | 10uF 6.3V M | 1 | |
| | R601 | NRSA63J-101X | MG RESISTOR | 100Ω 1/16W J | 1 | |
| | R602 | NRSA63J-101X | MG RESISTOR | 100Ω 1/16W J | 1 | |

| MODEL | MARK | MODEL | MARK | MODEL | MARK | MODEL | MARK |
|-------------|------|-------------|------|-------------|------|-------------|------|
| GZ-HM330BEK | A | GZ-HM330BEU | B | GZ-HM330RAA | C | GZ-HM330RAC | D |
| GZ-HM330RAG | E | GZ-HM330RAH | F | GZ-HM330RAS | G | GZ-HM330SAA | H |
| GZ-HM330SAC | J | GZ-HM330SAG | K | GZ-HM330SAH | M | GZ-HM330SAS | N |
| GZ-HM330SEK | P | GZ-HM330SEU | Q | GZ-HM334BEU | R | GZ-HM335BEU | S |
| GZ-HM350BAA | T | | | | | | |

| Safe | Symbol No. | Parts No. | Parts Name | Description | QTY | Local |
|--|------------|-----------------|--------------------|----------------|-----|-------|
| | R603 | NRSA63J-0R0X | MG RESISTOR | 0Ω 1/10W J | 1 | |
| | R604 | NRSA63J-0R0X | MG RESISTOR | 0Ω 1/10W J | 1 | |
| △ | R606 | NRSA63J-471X | MG RESISTOR | 470Ω 1/16W J | 1 | |
| △ | R607 | NRSA63J-0R0X | MG RESISTOR | 0Ω 1/10W J | 1 | |
| △ | R609 | NRSA63J-0R0X | MG RESISTOR | 0Ω 1/10W J | 1 | |
| | R611 | NRSA63J-0R0X | MG RESISTOR | 0Ω 1/10W J | 1 | |
| | R612 | NRSA63J-0R0X | MG RESISTOR | 0Ω 1/10W J | 1 | |
| | R631 | NRSA63J-564X | MG RESISTOR | 560kΩ 1/16W J | 1 | |
| | R632 | NRSA63J-564X | MG RESISTOR | 560kΩ 1/16W J | 1 | |
| | R633 | NRSA63J-154X | MG RESISTOR | 150kΩ 1/16W J | 1 | |
| | R634 | NRSA63J-154X | MG RESISTOR | 150kΩ 1/16W J | 1 | |
| | R640 | NRSA63J-0R0X | MG RESISTOR | 0Ω 1/10W J | 1 | |
| | R641 | NRSA63J-0R0X | MG RESISTOR | 0Ω 1/10W J | 1 | |
| | R642 | NRSA63J-0R0X | MG RESISTOR | 0Ω 1/10W J | 1 | |
| | R643 | NRSA63J-0R0X | MG RESISTOR | 0Ω 1/10W J | 1 | |
| | R693 | NRSA63J-682X | MG RESISTOR | 6.8kΩ 1/16W J | 1 | |
| | R694 | NRSA63J-153X | MG RESISTOR | 15kΩ 1/16W J | 1 | |
| | L601 | NRSA63J-0R0X | MG RESISTOR | 0Ω 1/10W J | 1 | |
| | L602 | NQR0251-004X | FERRITE BEADS | | 1 | |
| | L603 | NQR0251-004X | FERRITE BEADS | | 1 | |
| | L631 | NQR0129-002X | FERRITE BEADS | | 1 | |
| | BT601 | QNA0053-001 | EXT BATT JACK | | 1 | |
| △ | BT602 | QAB0040-001 | LITHIUM BATTERY | | 1 | |
| | CN601 | QGF0566C1-50X | CONNECTOR | FFC/FPC (1-50) | 1 | |
| △ | F601 | NMFZ029-2R5X-JA | FUSE | 2.5A | 1 | |
| △ | F602 | NMFZ029-2R5X-JA | FUSE | 2.5A | 1 | |
| | J601 | QNS0287-001 | 3.5 JACK | | 1 | |
| | J602 | QNA0054-001 | DC JACK | | 1 | |
| | J611 | QNZ1008-001 | USB CONNECTOR | | 1 | |
| | S691 | NSW0323-001X | TACT SWITCH | | 1 | |
| | S692 | NSW0323-001X | TACT SWITCH | | 1 | |
| | S693 | NSW0323-001X | TACT SWITCH | | 1 | |
| | S694 | NSW0323-001X | TACT SWITCH | | 1 | |
| MONITOR BOARD ASSEMBLY <06> | | | | | | |
| | PW701 | LYA10205-01G1 | MONITOR BOARD ASSY | | 1 | |
| | IC301 | CP7229AT-X | IC | | 1 | |
| | IC701 | HGDESN031A-X | IC | | 1 | |
| | Q7701 | 2SC4617/QR/-X | TRANSISTOR | | 1 | |
| | Q7701 or | 2SC5383/E/-X | TRANSISTOR | | 1 | |
| | Q7701 or | 2SD2216J/QR/-X | TRANSISTOR | | 1 | |
| | Q7702 | UMX1N-W | PAIR TRANSISTOR | | 1 | |
| | Q7702 or | KTC801U/G/-X | TRANSISTOR | | 1 | |
| | Q7702 or | RT3CLLM/EF/-X | TRANSISTOR | | 1 | |
| | Q7702 or | XP4501-W | TRANSISTOR | | 1 | |
| | Q7702 or | PUMX1-W | PAIR TRANSISTOR | | 1 | |
| | Q7703 | UMX1N-W | PAIR TRANSISTOR | | 1 | |
| | Q7703 or | KTC801U/G/-X | TRANSISTOR | | 1 | |
| | Q7703 or | RT3CLLM/EF/-X | TRANSISTOR | | 1 | |
| | Q7703 or | XP4501-W | TRANSISTOR | | 1 | |
| | Q7703 or | PUMX1-W | PAIR TRANSISTOR | | 1 | |
| | D301 | QSMR-C13G-X | LED | | 1 | |
| | D302 | QSMR-C13G-X | LED | | 1 | |
| | D303 | QSMR-C13G-X | LED | | 1 | |
| | D304 | QSMR-C13G-X | LED | | 1 | |
| | D7301 | RKZ5.1B2KG-X | SB DIODE | | 1 | |
| | D7701 | NESW006/T386-X | LED | | 1 | |
| | D7702 | NESW006/T386-X | LED | | 1 | |
| | D7703 | NESW006/T386-X | LED | | 1 | |
| | D7704 | NESW006/T386-X | LED | | 1 | |
| | C301 | NCB30JK-105X | C CAPACITOR | 1uF 6.3V K | 1 | |
| | C304 | NDC31HJ-102X | C CAPACITOR | 1000pF 50V J | 1 | |
| | C7303 | NCB31CK-104X | C CAPACITOR | 0.1uF 16V K | 1 | |
| | C7306 | NCB31CK-105X | C CAPACITOR | 1uF 16V K | 1 | |
| | C7307 | NCB21CK-105X | C CAPACITOR | 1uF 16V K | 1 | |
| | C7308 | NCB21CK-105X | C CAPACITOR | 1uF 16V K | 1 | |
| | C7309 | NCB21CK-105X | C CAPACITOR | 1uF 16V K | 1 | |
| | C7701 | NCB31CK-104X | C CAPACITOR | 0.1uF 16V K | 1 | |
| | R301 | NRSA63J-391X | MG RESISTOR | 390Ω 1/16W J | 1 | |
| | R302 | NRSA63J-391X | MG RESISTOR | 390Ω 1/16W J | 1 | |
| | R303 | NRSA63J-391X | MG RESISTOR | 390Ω 1/16W J | 1 | |
| | R304 | NRSA63J-391X | MG RESISTOR | 390Ω 1/16W J | 1 | |
| | R305 | NRSA63J-471X | MG RESISTOR | 470Ω 1/16W J | 1 | |
| | R306 | NRSA63J-0R0X | MG RESISTOR | 0Ω 1/10W J | 1 | |
| | R307 | NRSA63J-0R0X | MG RESISTOR | 0Ω 1/10W J | 1 | |
| | R308 | NRSA63J-0R0X | MG RESISTOR | 0Ω 1/10W J | 1 | |
| | R309 | NRSA63J-104X | MG RESISTOR | 100kΩ 1/16W J | 1 | |
| | R7303 | NRSA63J-222X | MG RESISTOR | 2.2kΩ 1/16W J | 1 | |
| | R7304 | NRSA63J-182X | MG RESISTOR | 1.8kΩ 1/16W J | 1 | |
| | R7305 | NRSA63J-105X | MG RESISTOR | 1MΩ 1/16W J | 1 | |
| | R7306 | NRSA63J-473X | MG RESISTOR | 47kΩ 1/16W J | 1 | |
| | R7307 | NRSA63J-473X | MG RESISTOR | 47kΩ 1/16W J | 1 | |
| | R7308 | NRSA63J-473X | MG RESISTOR | 47kΩ 1/16W J | 1 | |
| | R7315 | NRSA63J-0R0X | MG RESISTOR | 0Ω 1/10W J | 1 | |
| | R7702 | NRSA63D-561X | MG RESISTOR | 560Ω 1/16W D | 1 | |
| | R7703 | NRSA63D-240X | MG RESISTOR | 24Ω 1/16W D | 1 | |
| | R7704 | NRSA63D-240X | MG RESISTOR | 24Ω 1/16W D | 1 | |

| MODEL | MARK | MODEL | MARK | MODEL | MARK | MODEL | MARK |
|-------------|------|-------------|------|-------------|------|-------------|------|
| GZ-HM330BEK | A | GZ-HM330BEU | B | GZ-HM330RAA | C | GZ-HM330RAC | D |
| GZ-HM330RAG | E | GZ-HM330RAH | F | GZ-HM330RAS | G | GZ-HM330SAA | H |
| GZ-HM330SAC | J | GZ-HM330SAG | K | GZ-HM330SAH | M | GZ-HM330SAS | N |
| GZ-HM330SEK | P | GZ-HM330SEU | Q | GZ-HM334BEU | R | GZ-HM335BEU | S |
| GZ-HM350BAA | T | | | | | | |

| Safe | Symbol No. | Parts No. | Parts Name | Description | QTY | Local |
|---------------------------------------|------------|-----------------|------------------|----------------|-----|-------------------------------------|
| | R7705 | NRSA63D-240X | MG RESISTOR | 24Ω 1/16W D | 1 | |
| | R7706 | NRSA63D-240X | MG RESISTOR | 24Ω 1/16W D | 1 | |
| | L303 | NQL382M-100X | COIL | 10uH M | 1 | |
| | L7701 | NRSA63J-0R0X | MG RESISTOR | 0Ω 1/10W J | 1 | |
| | CN301 | QGF0534F2-10X | CONNECTOR | FFC/FPC (1-10) | 1 | |
| | CN701 | QGF0534F2-24X | CONNECTOR | FFC/FPC (1-24) | 1 | |
| | CN703 | QGF0534F2-28X | CONNECTOR | FFC/FPC (1-28) | 1 | |
| WB BOARD ASSEMBLY <07> | | | | | | |
| | PW801 | LYA10212-01A | WB BOARD ASSY | | 1 | |
| | Q801 | CPT-290S-C-X | PHOTO TRANSISTOR | | 1 | |
| HDMI BOARD ASSEMBLY <08> | | | | | | |
| | PW901 | LYA10211-01A | HDMI BOARD ASSY | | 1 | |
| | J902 | NNZ0243-001X | HDMI CONNECTOR | | 1 | |
| | J903 | NNZ0225-001X | M CONNECTOR | COMPONENT CONN | 1 | |
| NAND BOARD ASSEMBLY <09> | | | | | | |
| | PW851 | LYA10206-01B | NAND BOARD ASSY | | 1 | |
| | PW851 | LYA10206-03B | NAND BOARD ASSY | | 1 | A,B,C,D,E,F,G,H,J,K,M,N, P,Q,R,S |
| | IC801 | THGBM1G6D4EBAI4 | IC | | 1 | T |
| | IC801 | THGBM1G8D8EBAI2 | IC | | 1 | A,B,C,D,E,F,G,H,J,K,M,N, P,Q,R,S |
| | C801 | NCB20JK-106X | C CAPACITOR | 10uF 6.3V K | 1 | T |
| | C802 | NCBA1AK-104W | C CAPACITOR | 0.1uF 10V K | 1 | |
| | C803 | NCBA1AK-104W | C CAPACITOR | 0.1uF 10V K | 1 | |
| | C807 | NCBA1AK-104W | C CAPACITOR | 0.1uF 10V K | 1 | |
| | C808 | NCBA1AK-104W | C CAPACITOR | 0.1uF 10V K | 1 | |
| | C857 | NCBA1AK-104W | C CAPACITOR | 0.1uF 10V K | 1 | |
| | C871 | NCB20JK-106X | C CAPACITOR | 10uF 6.3V K | 1 | |
| | C872 | NCB20JK-106X | C CAPACITOR | 10uF 6.3V K | 1 | |
| | R801 | NRSA6AJ-103W | MG RESISTOR | 10kΩ 1/16W J | 1 | |
| | R802 | NRSA6AJ-0R0W | MG RESISTOR | 0Ω 1/16W J | 1 | |
| | R803 | NRSA6AJ-820W | MG RESISTOR | 82Ω 1/16W J | 1 | |
| | R851 | NRSA6AJ-473W | MG RESISTOR | 47kΩ 1/16W J | 1 | |
| | R853 | NRSA6AJ-103W | MG RESISTOR | 10kΩ 1/16W J | 1 | |
| | R856 | NRSA6AJ-221W | MG RESISTOR | 220Ω 1/16W J | 1 | |
| | R858 | NRSA6AJ-820W | MG RESISTOR | 82Ω 1/16W J | 1 | |
| | R860 | NRSA6AJ-820W | MG RESISTOR | 82Ω 1/16W J | 1 | |
| | R861 | NRSA6AJ-0R0W | MG RESISTOR | 0Ω 1/16W J | 1 | |
| | R871 | NRSA6AJ-330W | MG RESISTOR | 33Ω 1/16W J | 1 | |
| | R872 | NRSA6AJ-330W | MG RESISTOR | 33Ω 1/16W J | 1 | |
| | R883 | NRSA63J-0R0X | MG RESISTOR | 0Ω 1/10W J | 1 | |
| | R886 | NRSA63J-0R0X | MG RESISTOR | 0Ω 1/10W J | 1 | |
| | RA801 | NRB04CJ-563W | NET RESISTOR | 56kΩ J | 1 | |
| | RA802 | NRB04CJ-563W | NET RESISTOR | 56kΩ J | 1 | |
| | RA803 | NRB04CJ-820W | NET RESISTOR | 82Ω J | 1 | |
| | RA804 | NRB04CJ-820W | NET RESISTOR | 82Ω J | 1 | |
| | RA811 | NRB04CJ-820W | NET RESISTOR | 82Ω J | 1 | |
| | RA812 | NRB04CJ-473W | NET RESISTOR | 47kΩ J | 1 | |
| | L861 | NQR0608-001X | FERRITE BEADS | | 1 | |
| | CN851 | QGF0560F1-40X | CONNECTOR | FFC/FPC (1-40) | 1 | |
| | CN852 | NNZ0239-001X | SD CARD CONNE | | 1 | |
| | K801 | NQR0499-001X | FERRITE BEADS | | 1 | |