



PARTS LIST

CAMCORDER

GZ-HM300SAA
GZ-HM300SAH

GZ-HM300SAC
GZ-HM300SAS
GZ-HM300SEU

GZ-HM300SAG
GZ-HM300SEK



■ PRECAUTIONS ON SCHEMATIC DIAGRAMS

- Due to the improvement in performance, some part numbers shown in the circuit diagrams may not agree with those indicated in the Parts List.
- The parts numbers, values and rated voltage etc. in the Schematic Diagrams are for reference only.
- Since the circuit diagrams are standard ones, the circuits and circuit constants may be subject to change for improvement without any notice.

■ PRECAUTIONS ON PARTS LIST

- The parts identified by the \triangle symbol are critical for safety. Whenever replacing these parts, be sure to use specified ones to secure the safety.
- The parts not indicated in this Parts List and those which are filled with lines --- in the Parts No. columns will not be supplied.
- P.W. BOARD Ass'y will not be supplied, but those which are filled with the Parts No. in the Parts No. columns will be supplied.
- When ordering chips, screws etc., place bulk orders (unit of tens) whenever possible to improve shipping efficiency.
- There are cases where the actual implemented parts in the sets and the service parts are different. When ordering parts, make sure to refer to the Parts List.

■ PRECAUTIONS ON SERVICE

Certain parts of the power circuits and the GNDs differ according to the models. Care must be taken for the following points as the differences are indicated separately in the LIVE GND () and the ISOLATED (NEUTRAL) GND () .

1. Do not touch the LIVE GND, or do not touch the LIVE GND and the ISOLATED (NEUTRAL) GND at the same time. It may cause an electric shock.
Before pulling out the chassis or other parts, make sure to pull out the power cord from the wall outlet first.
2. Do not short circuit between the LIVE GND and ISOLATED (NEUTRAL) GND, or never measure the LIVE GND and ISOLATED (NEUTRAL) GND at the same time using measuring instruments (oscilloscope, etc.). It may blow fuses or damage other parts.

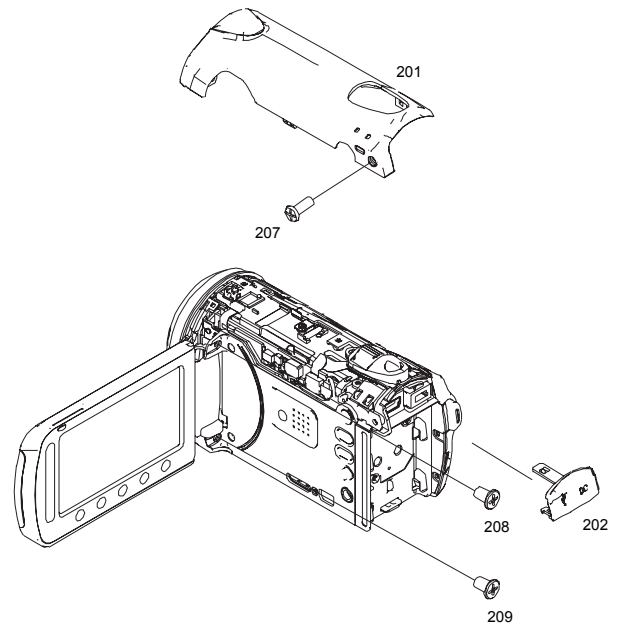
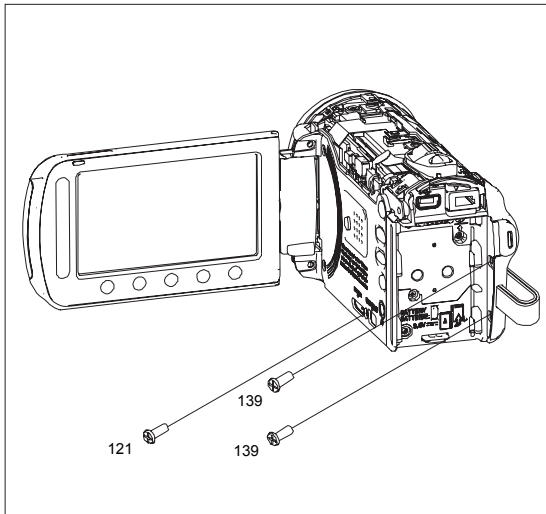
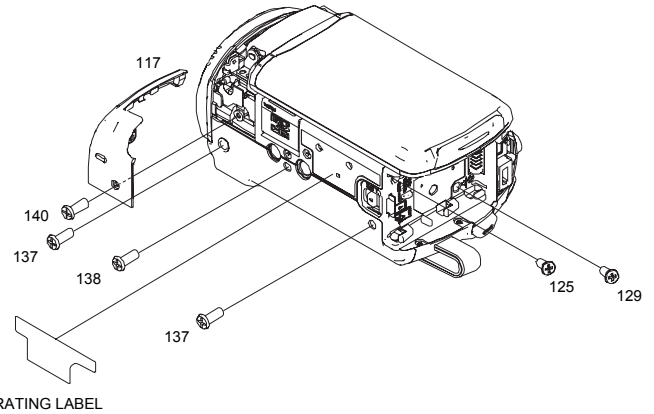
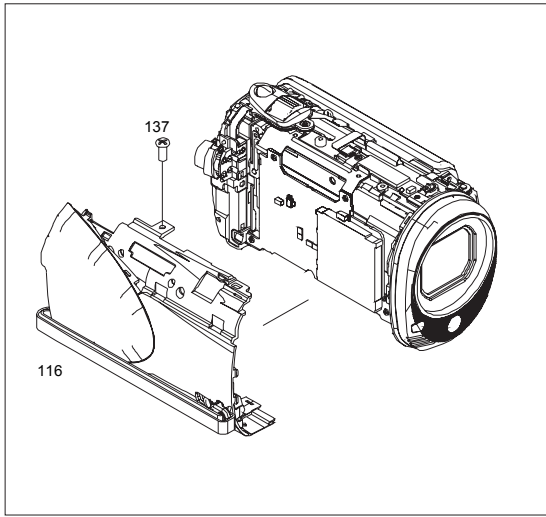
■ DEVIATION TOLERANCE RANGE

DEVIATION TOLERANCE RANGE									
F	G	J	K	M	N	R	H	Z	P
± 1%	± 2%	± 5%	±10%	±20%	±30%	+30% -10%	+50% -10%	+80% -20%	+100% -0%

FINAL ASSEMBLY<M1>

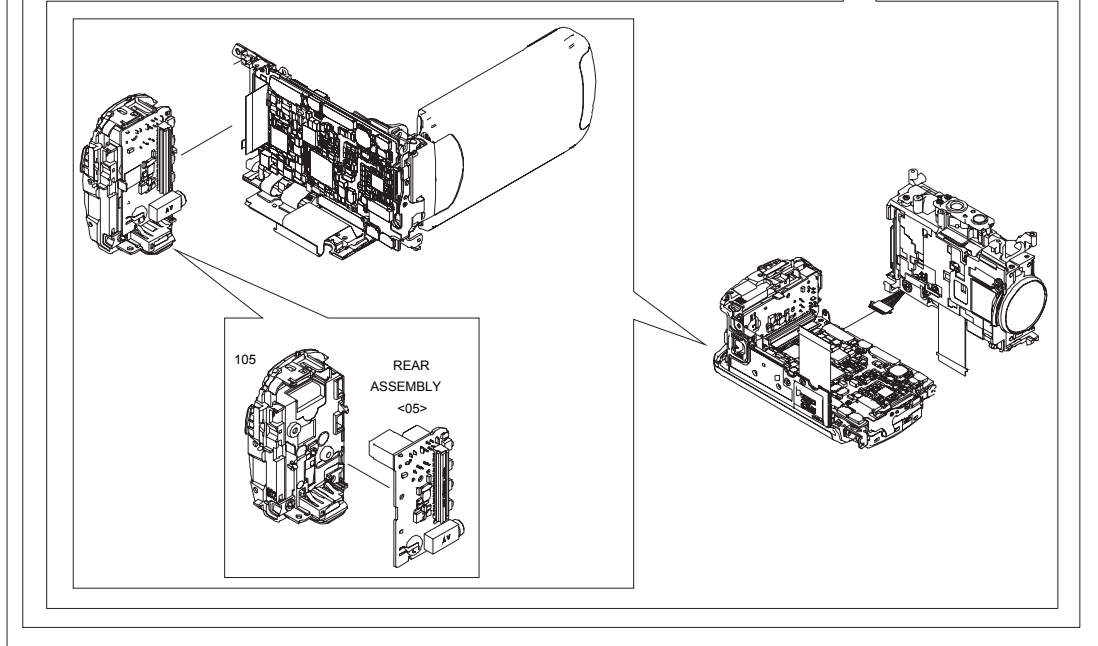
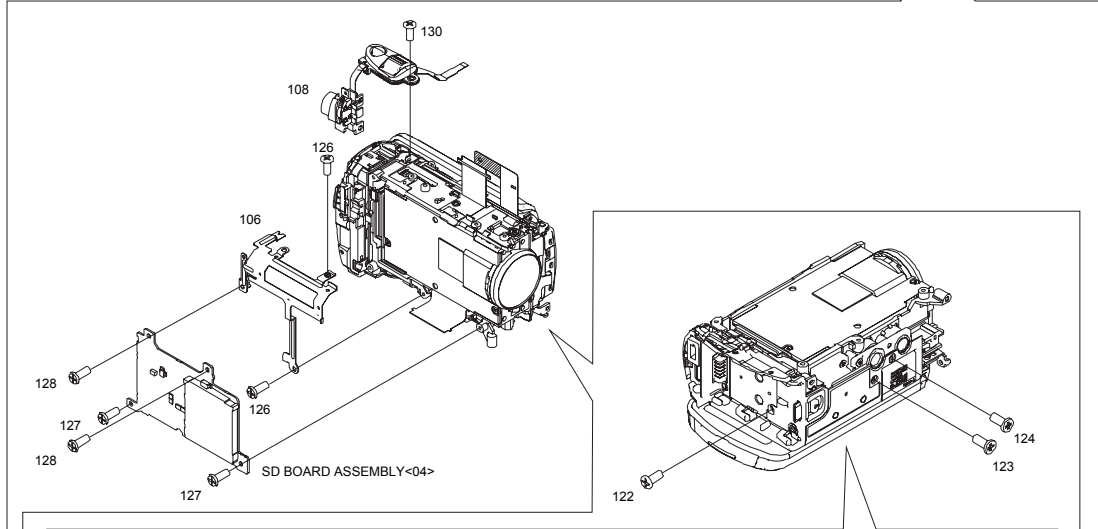
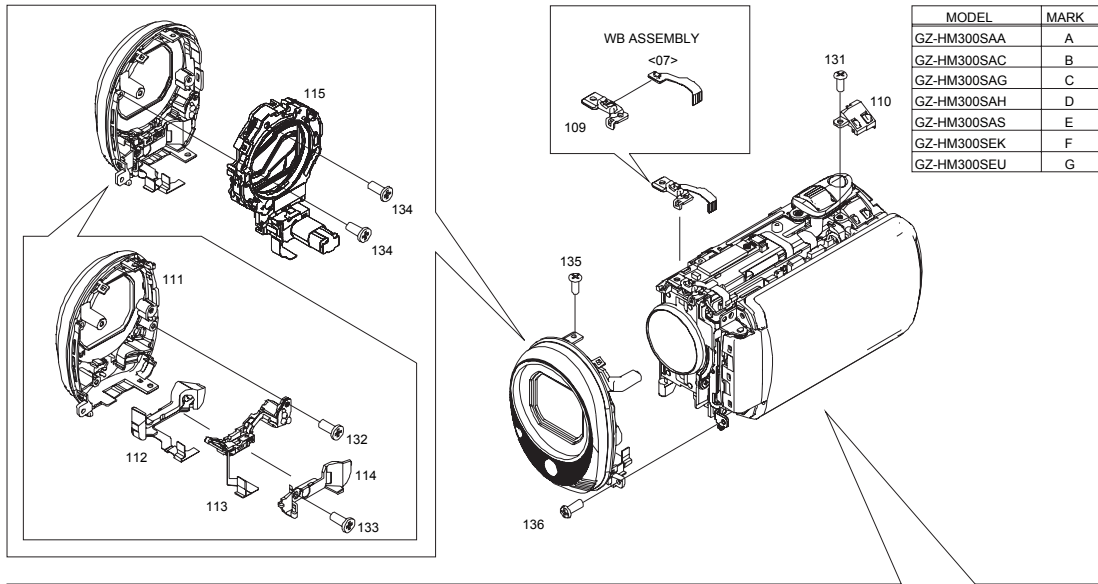
The instruction manual to be provided with this product will differ according to the destination.

MODEL	MARK
GZ-HM300SAA	A
GZ-HM300SAC	B
GZ-HM300SAG	C
GZ-HM300SAH	D
GZ-HM300SAS	E
GZ-HM300SEK	F
GZ-HM300SEU	G



FINAL ASSEMBLY<M1>

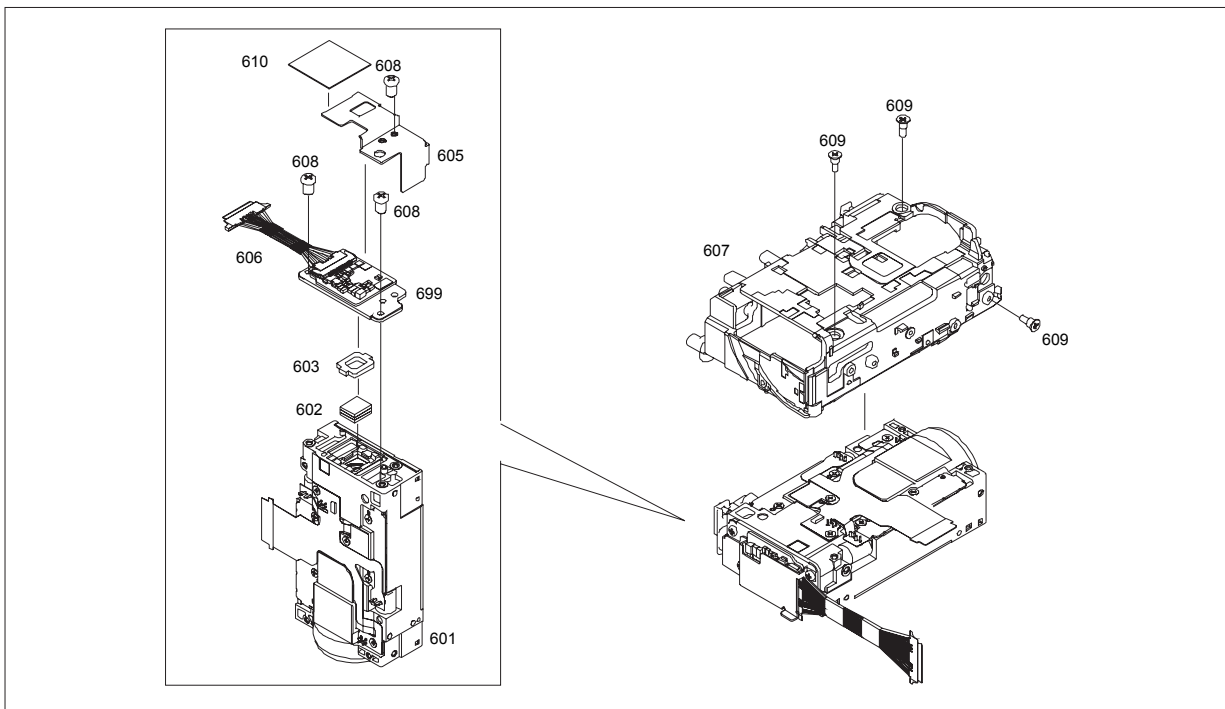
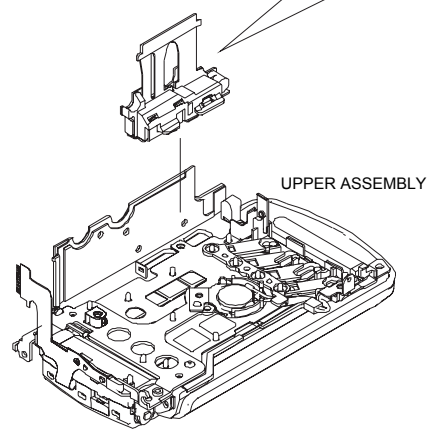
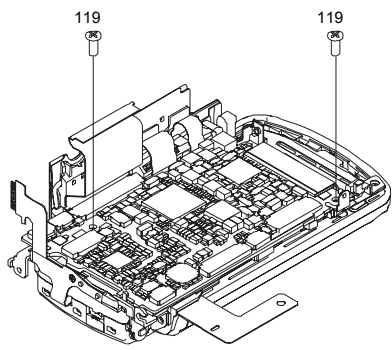
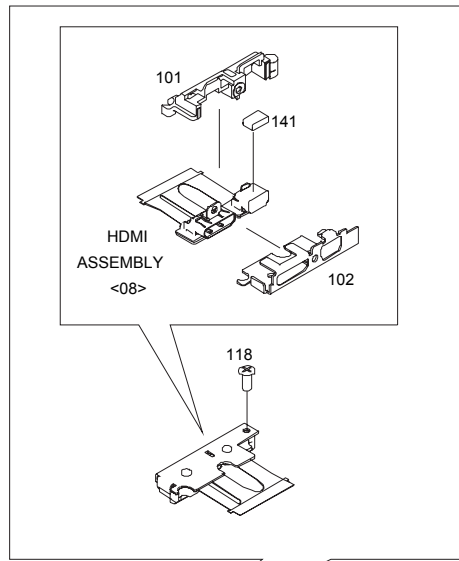
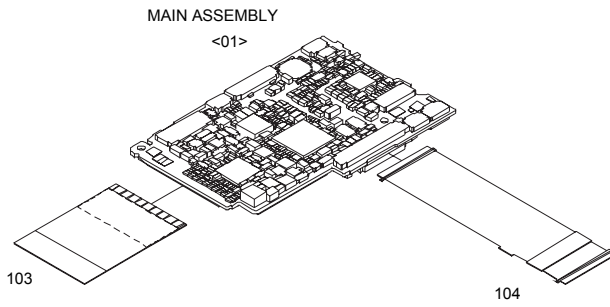
The instruction manual to be provided with this product will differ according to the destination.



FINAL ASSEMBLY<M1>

The instruction manual to be provided with this product will differ according to the destination.

MODEL	MARK
GZ-HM300SAA	A
GZ-HM300SAC	B
GZ-HM300SAG	C
GZ-HM300SAH	D
GZ-HM300SAS	E
GZ-HM300SEK	F
GZ-HM300SEU	G

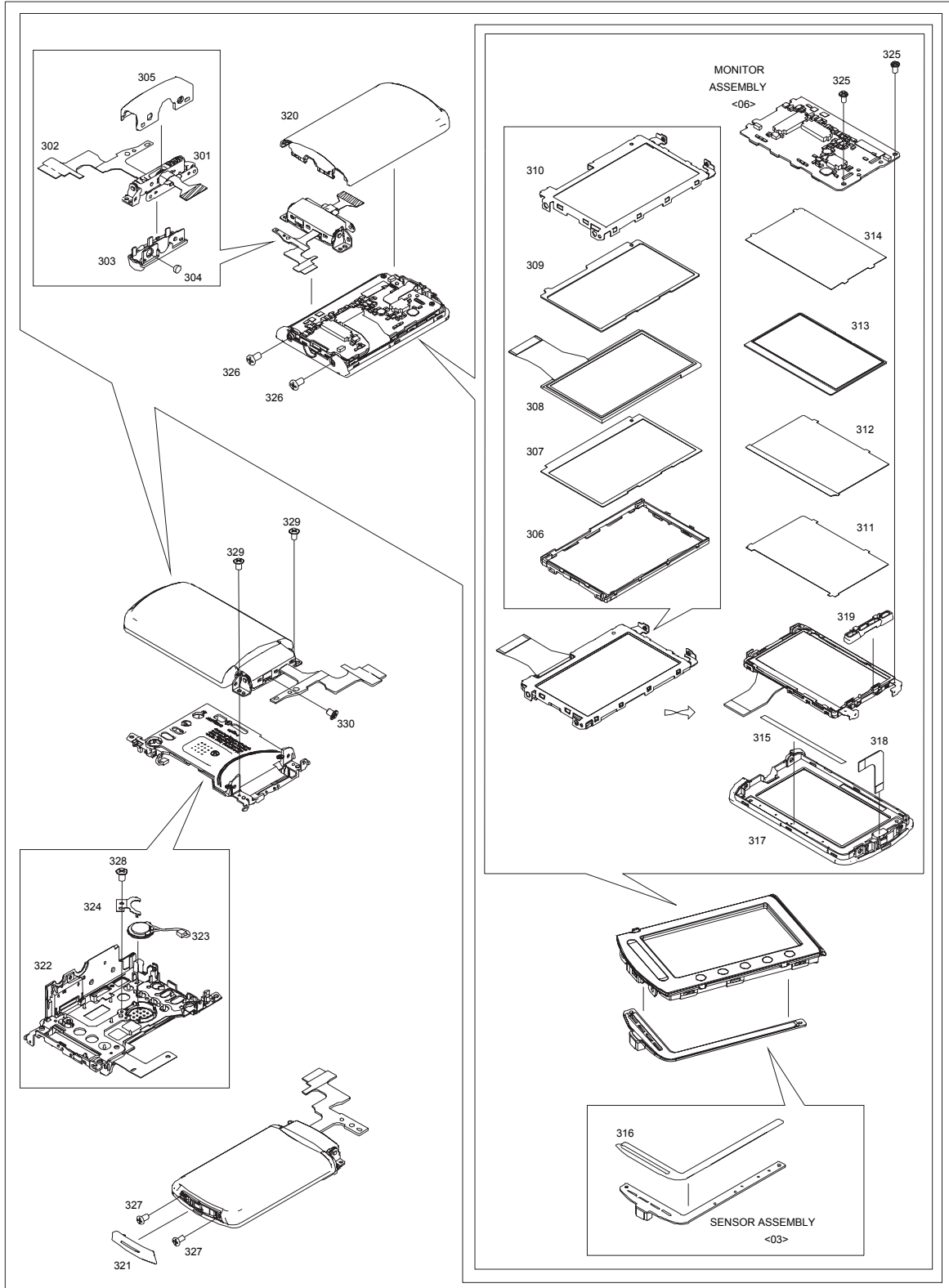


FINAL ASSEMBLY<M1>

The instruction manual to be provided with this product will differ according to the destination.

MODEL	MARK
GZ-HM300SAA	A
GZ-HM300SAC	B
GZ-HM300SAG	C
GZ-HM300SAH	D
GZ-HM300SAS	E
GZ-HM300SEK	F
GZ-HM300SEU	G

UPPER ASSEMBLY

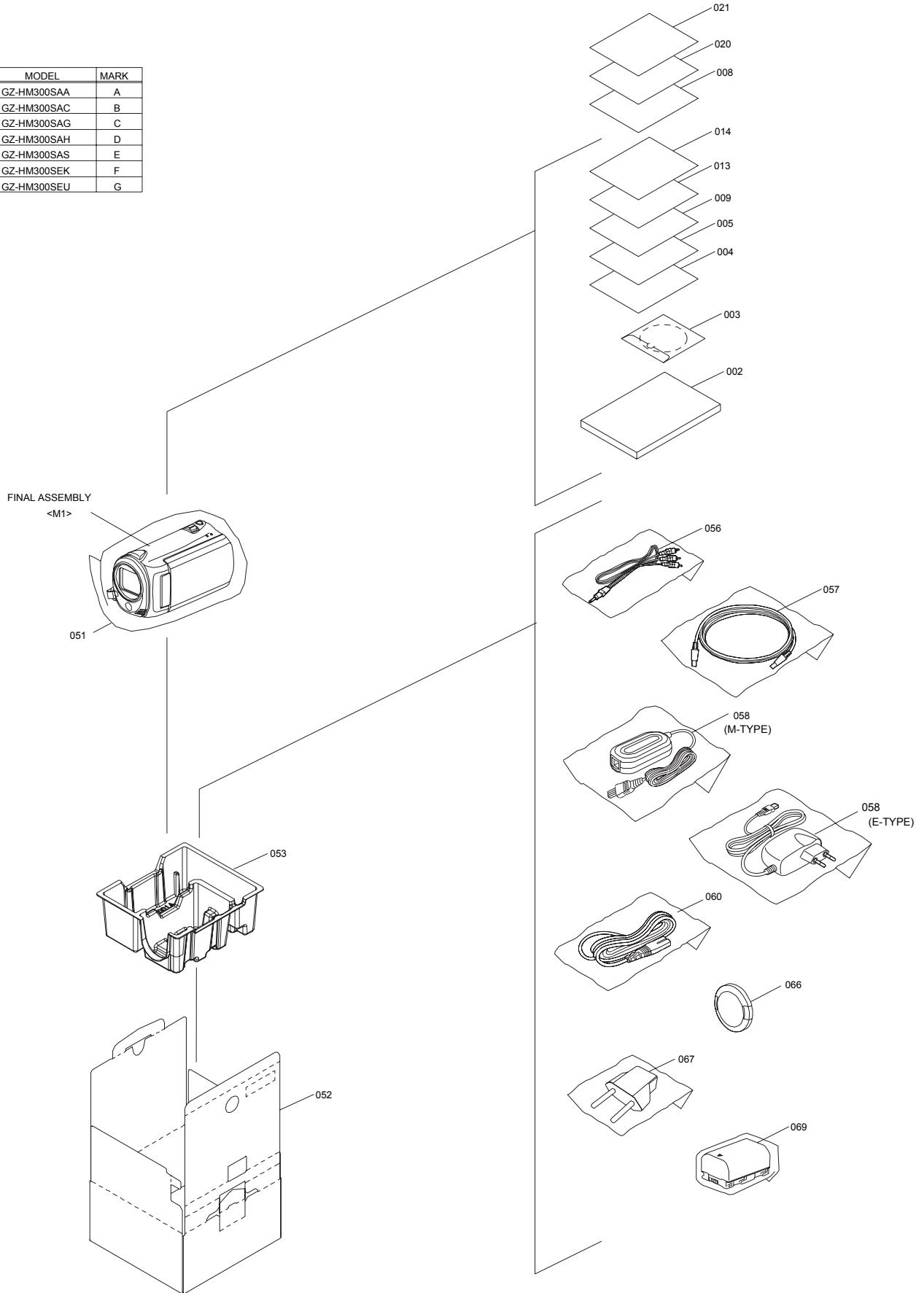


MODEL	MARK	MODEL	MARK	MODEL	MARK	MODEL	MARK
GZ-HM300SAA	A	GZ-HM300SAC	B	GZ-HM300SAG	C	GZ-HM300SAH	D
GZ-HM300SAS	E	GZ-HM300SEK	F	GZ-HM300SEU	G		

Safe	Symbol No.	Parts No.	Parts Name	Description	QTY	Local
FINAL ASSEMBLY <M1MM>						
	101	LY22110-001A	HOLDER(HDMI)		1	
	102	LY22109-001A	PLATE(HDMI)		1	
	103	WJT0241-001A-E	E-CARD WIRE	MAIN-REAR	1	
	104	QAL1249-002	FPC	MAIN-SD	1	
△	105	LY37209-002A	R.COVER ASSY		1	
	106	LY37281-001A	SHIELD (S4)		1	
	108	LY10657-001B	OPE UNIT		1	
	109	LY37290-001A	HOLDER (WB)		1	
	110	LY37235-001B	HOLDER(IND)ASSY		1	
	111	LY37308-003C	F.COVER ASSY S4		1	
	112	QAN0103-001	MICROPHONE UNIT		1	
	113	LY37228-002A	HOLDER(LIGHT)		1	
	114	LY37301-001A	PLATE(MIC)HD		1	
	115	LY37437-001B	DUMMY BARRIER		1	
	116	LY22133-009C	L.CASE ASSY(S4)		1	
	117	LY37292-005B	COVER(HINGE)		1	
	118	LY30031-0P9A	SPECIAL SCREW	PLT(H)-HLD	1	
	119	LY30031-0P9A	SPECIAL SCREW	MAIN-UPPER	2	
	121	LY30031-0P9A	SPECIAL SCREW	UPPER-HDMI	1	
	122	LY30031-0K7A	SPECIAL SCREW	REAR-SMAIN	1	
	123	LY30031-0P9A	SPECIAL SCREW	UPPER-H(OP	1	
	124	LY30031-0P9A	SPECIAL SCREW	UPPER-TPOD	1	
	125	LY30031-0P9A	SPECIAL SCREW	REAR-UPPER	1	
	126	LY30031-0P9A	SPECIAL SCREW	SLD(H-H(OP	2	
	127	LY30031-0P9A	SPECIAL SCREW	SDPWB-H(OP	2	
	128	LY30031-0K7A	SPECIAL SCREW	SDPWB-SLD	2	
	129	LY30031-0P9A	SPECIAL SCREW	REAR-H(OP	1	
	130	LY30031-0P9A	SPECIAL SCREW	OPE.U-H(OP	1	
	131	LY30031-0K7A	SPECIAL SCREW	H(IND-SMAI	1	
	132	LY30031-0Q3A	SPECIAL SCREW	F_SEN-FRON	1	
	133	LY30031-0Q3A	SPECIAL SCREW	MIC-FRONT	1	
	134	LY30031-0Q3A	SPECIAL SCREW	BARR-HOOD	2	
	135	LY30031-0P9A	SPECIAL SCREW	FRONT-H(OP	1	
	136	LY30031-0K7A	SPECIAL SCREW	FRON-B(HIN	1	
	137	LY30031-0P9A	SPECIAL SCREW	LOWER-H(OP	3	
	138	LY30031-0P9A	SPECIAL SCREW	LOWER-TPOD	1	
	139	LY30031-0P9A	SPECIAL SCREW	REAR-LOWER	2	
	140	LY30031-0P9A	SPECIAL SCREW	C(HIN-H(OP	1	
	141	QZW0412-003	GASKET		1	
	201	LY37310-005C	T.COVER ASSY S4		1	
	202	LY37293-005A	J.COVER ASSY		1	
	207	LY30031-0Q3A	SPECIAL SCREW	TOP-REAR	1	
	208	LY30031-0Q3A	SPECIAL SCREW	UPPER-FRON	1	
	209	LY30031-0Q3A	SPECIAL SCREW	UPPE-C(HIN	1	
	301	LY21558-004B	HINGE UNIT		1	
	302	QAL1245-001	FPC	MONI-MAIN	1	
	303	LY37189-001A	HINGE COVER(L)		1	
	304	LY45427-001A	P.C.MAGNET		1	
	305	LY37188-001A	HINGE COV(U)SD		1	
	306	LY22103-001A	LCD CASE		1	
	307	LY37338-001A	SHEET LCD		1	
	308	QLD0538-001	LCD MODULE		1	
	309	LY37337-001A	SPACER LCD		1	
	310	LY22104-001A	BRACKET(LCD)		1	
	311	LY37339-001A	SHEET (BEF)		1	
	312	LY35480-001A	SHEET(M/DIFF)		1	
	313	LY36668-001A	LIGHT GUIDE		1	
	314	LY35481-001A	SHEET(M.REF)		1	
	315	LY30035-045A	SPACER(A)		1	
	316	LY37185-001A	D.FACE TAPE		1	
	317	LY37297-001A	M.CASE AY(S4-)		1	
	318	QAL1248-001	FPC	SENS-MONI	1	
	319	LY37231-001A	HOLDER(LED)		1	
	320	LY37280-001A	M.COVER AY(S4-)		1	
	321	LY37317-001A	MONI PLATE(R)		1	
	322	LY22136-009E	U.CASE ASSY(HD)		1	
	323	QAS0612-001	SPEAKER		1	
	324	LY37246-001B	BKT(SPK)		1	
	325	LY30031-079A	SPECIAL SCREW	M.PWB-BKT	2	
	326	LY30031-0N5A	SPECIAL SCREW	HINGE-MONI	2	
	327	LY30031-079A	SPECIAL SCREW	M.COV-BKT	2	
	328	LY30031-016A	SPECIAL SCREW	SPK-B(HIN)	1	
	329	LY30031-0Q5A	SPECIAL SCREW	HING-B(HIN	2	
	330	LY30031-016A	SPECIAL SCREW	FPC-B(HIN)	1	
	601	LY37458-001A	OP BLOCK		1	
	602	LY46028-001A	IR CUT FILTER		1	
	603	LY45973-001A	SHEET		1	
	605	LY37466-001A	SHLD CMOS ASSY		1	
	606	WJN0285-001A-E	E-SH C WIRE C-C	CMOS-MAIN	1	
	607	LY37291-007A	HOLDER(OPHD)ASY		1	
	608	QYSPSGU1750ZA	TAP SCREW	M1.7 x 5mm	3	
	609	LY30032-037A	SPECIAL SCREW	HLD(OP)-OP	3	
	610	LY37128-001A	MAGNETIC SHEET		1	
	699	-----	CMOS FRM ASSY		1	

PACKING AND ACCESSORY ASSEMBLY <M5>

MODEL	MARK
GZ-HM300SAA	A
GZ-HM300SAC	B
GZ-HM300SAG	C
GZ-HM300SAH	D
GZ-HM300SAS	E
GZ-HM300SEK	F
GZ-HM300SEU	G



No.YF337

created date:2010-03-24

MODEL	MARK	MODEL	MARK	MODEL	MARK	MODEL	MARK
GZ-HM300SAA	A	GZ-HM300SAC	B	GZ-HM300SAG	C	GZ-HM300SAH	D
GZ-HM300SAS	E	GZ-HM300SEK	F	GZ-HM300SEU	G		

Safe	Symbol No.	Parts No.	Parts Name	Description	QTY	Local
------	------------	-----------	------------	-------------	-----	-------

PACKING AND ACCESSORY ASSEMBLY <M5MM>

△	002	LYT2148-001B-M	INST BOOK	(ENGLISH)	1	A
△	002	LYT2149-001B-M	INST BOOK	(SIMPLIFIED CHINESE)	1	B
△	002	LYT2148-002A-M	INST BOOK	(ENGLISH/SIMPLIFIED CHINESE/ARABIC)	1	C
△	002	LYT2153-001A-M	INST BOOK	(ENGLISH/SIMPLIFIED CHINESE)	1	D
△	002	LYT2221-001A-M	INST BOOK	(ENGLISH/RUSSIAN/FRENCH)	1	E
△	002	LYT2221-002A-M	INST BOOK	(TURKISH/ARABIC/PERSIAN)	1	E
△	002	LYT2147-001A-M	INST BOOK	(ENGLISH)	1	F
△	002	LYT2147-002A-M	INST BOOK	(GERMAN/FRENCH/SPANISH/ITALIAN)	1	G
△	002	LYT2147-003A-M	INST BOOK	(DUTCH/PORTUGUESE/RUSSIAN/UKRAINIAN)	1	G
△	002	LYT2147-004A-M	INST BOOK	(DANISH/FINN/SWEDISH/NORWEGIAN)	1	G
△	002	LYT2147-005A-M	INST BOOK	(CZECH/PORTUGUESE/HUNGARIAN)	1	G
	003	LY37342-017A-S1	CD ROM ASSY		1	A,C,D,E,F,G
	003	LY37343-004A-S1	CD ROM ASSY		1	B
	004	LY37406-008A	SHEET ACC.GUIDE		1	A,C,D,E
	004	LY37406-010A	SHEET ACC.GUIDE		1	B
	004	LY37406-007A	SHEET ACC.GUIDE		1	F,G
	005	LY35208-001A	SHEET(E-SHOP)		1	F
	008	-----	WARRANTY CARD	BT-56020-1	1	A
	009	YU30878	REGISTRATION CARD		1	F
	013	BT-59021-10CAM	SVC CENTER LIST		1	B
	014	LYT0194-001B	Q.CARD		1	F
	020	-----	WARRANTY CARD	BT-54042-1	1	F,G
	021	-----	WARRANTY CARD	BT-59029-1CAM	1	B
	051	LY30023-054A	POLY BAG		1	A,C,D,E,F,G
	051	LY30023-057A	POLY BAG		1	B
	052	LY37405-010B	PACKING CASE		1	A,C,E,F
	052	LY37405-014B	PACKING CASE		1	B
	052	LY37405-012B	PACKING CASE		1	D
	052	LY37413-005B	PACKING CASE		1	G
	053	LY22135-001B	CUSHION		1	
	053	LY37369-001A	CUSHION ASSY		1	B
	056	QAM1263-001	A/V CABLE	3.5 STEREO-RCA	1	A,C,D,E
	056	QAM1264-001	A/V CABLE	FILTER,3.5 STEREO-RCA	1	B,F,G
	057	QAM1156-001	USB CABLE	A TYPE-MINI B TYPE	1	
△	058	LY37325-001A	AC ADAPTER	AP-V30M	1	A,B,C,D,E,F
△	058	LY37324-001A	AC ADAPTER	AP-V30E	1	G
△	060	QMPH080-100-JR	POWER CORD	1m BLACK	1	A
△	060	QMP5570-100-JR	POWER CORD	1m BLACK	1	B
△	060	QMPL450-100-JR	POWER CORD	1m BLACK	1	C
△	060	QMPP430-100-JD	POWER CORD	1m BLACK	1	D,F
△	060	QMPS640-100-JR	POWER CORD	1m BLACK	1	E
	066	LY34918-002A	HOOD CAP ASSY		1	
△	067	QAM0027-002	CONVERSION PLUG		1	E
△	069	LY37167-003C	BATTERY PACK	BN-VG114EU	1	A,C,D,E,F,G
△	069	LY37167-005A	BATTERY PACK	BN-VG114AC	1	B

MAIN BOARD ASSEMBLY <01>

	PW1001	LYA10215-05C	MAIN BOARD ASSY		1	
	IC1001	MN103SD0QJJ	IC(MICRO C ROM)		1	
	IC1001 or	MN103SFD0RJJ	IC(MICRO C ROM)		1	
	IC1001 or	MN103SFD0RJJA	IC(MICRO C ROM)		1	
	IC1005	LE25L.B1282TT-X	IC		1	
	IC1006	S-35190A-G-X	IC		1	
	IC1009	R5G05001N311N-X	IC(MCU)		1	
	IC2101	AK4694EG-W	IC		1	
	IC3001	JCY0243	IC		1	
	IC3002	XC6213B312NG-X	IC		1	
	IC3101	H5MS5122DFRJ3MN	IC		1	
	IC3102	H5MS5122DFRJ3MN	IC		1	
	IC3201	M29W64T70A6E1A3	IC(MICRO C ROM)		1	
	IC3201 or	M29W64T70A6E1A2	IC(MICRO C ROM)		1	
	IC3201 or	M29W64T70A6E1A1	IC(MICRO C ROM)		1	
	IC4501	JCY0245	IC		1	
	IC4502	H55S1222EFP-60M	IC		1	
	IC4504	XC6213B312NG-X	IC		1	
	IC4506	XC8101AA01N-X	IC		1	
	IC4901	AN41905A-X	IC		1	
	IC6001	UPD168852-W	IC		1	
	IC6004	R1172N271D-X	IC		1	
	Q1002	RT1N441U-X	DIGI TRANSISTOR		1	
	Q1002 or	UN9213J-X	DIGI TRANSISTOR		1	
	Q1002 or	KRC404E-P-X	DIGI TRANSISTOR		1	
	Q1002 or	DTC144EE-X	DIGI TRANSISTOR		1	
	Q1002 or	DTC144EEB-X	DIGI TRANSISTOR		1	
	Q1007	RT1N441U-X	DIGI TRANSISTOR		1	
	Q1007 or	UN9213J-X	DIGI TRANSISTOR		1	
	Q1007 or	KRC404E-P-X	DIGI TRANSISTOR		1	
	Q1007 or	DTC144EE-X	DIGI TRANSISTOR		1	
	Q1007 or	DTC144EEB-X	DIGI TRANSISTOR		1	
	Q2402	2SC4617/RS-X	TRANSISTOR		1	
	Q2402 or	2SC5383/F-X	TRANSISTOR		1	
	Q2402 or	2SD2216J/RS-X	TRANSISTOR		1	
	Q2701	EMX18-W	TRANSISTOR		1	
	Q3001	DTC144EE-X	DIGI TRANSISTOR		1	
	Q3001 or	RT1N441U-X	DIGI TRANSISTOR		1	

MODEL	MARK	MODEL	MARK	MODEL	MARK	MODEL	MARK
GZ-HM300SAA	A	GZ-HM300SAC	B	GZ-HM300SAG	C	GZ-HM300SAH	D
GZ-HM300SAS	E	GZ-HM300SEK	F	GZ-HM300SEU	G		

Safe	Symbol No.	Parts No.	Parts Name	Description	QTY	Local
	Q3001 or	UN9213J-X	DIGI TRANSISTOR		1	
	Q3001 or	KRC404E-P-X	DIGI TRANSISTOR		1	
	Q3001 or	DTC144EEB-X	DIGI TRANSISTOR		1	
	Q3002	SSM3K16FV-X	MOS FET		1	
	Q3004	DTC143XE-X	DIGI TRANSISTOR		1	
	Q3004 or	RT1N432U-X	DIGI TRANSISTOR		1	
	Q3004 or	UN921FJ-X	DIGI TRANSISTOR		1	
	Q3004 or	SRC1219EF-X	DIGI TRANSISTOR		1	
	Q3004 or	DTC143XEB-X	DIGI TRANSISTOR		1	
	Q3751	XP4312-W	DIGI TRANSISTOR		1	
	Q4502	UMT1N-W	PAIR TRANSISTOR		1	
	Q4502 or	XP4401-W	TRANSISTOR		1	
	Q4502 or	BC856S-X	PAIR TRANSISTOR		1	
	Q4502 or	PUMT1-W	PAIR TRANSISTOR		1	
	Q4502 or	RT3AMMAM1/EF/-X	PAIR TRANSISTOR		1	
	Q4902	2SC4617/RS-X	TRANSISTOR		1	
	Q4902 or	2SC5383/F-X	TRANSISTOR		1	
	Q4902 or	2SD2216J/RS-X	TRANSISTOR		1	
	Q6401	SSM3J304T-X	MOS FET		1	
	Q6402	SSM3J108TU-X	POWER MOS FET		1	
	Q6403	SSM3K302T-X	MOS FET		1	
	Q6404	SSM3J304T-X	MOS FET		1	
	Q6601	SSM6L39TU-X	MOS FET		1	
	Q6702	SSM3J304T-X	MOS FET		1	
	Q6703	SSM3K302T-X	MOS FET		1	
	D181	EMZ6.8N-X	Z DIODE		1	
	D601	EMZ6.8N-X	Z DIODE		1	
	D602	MA8068-X	Z DIODE		1	
	D4501	RB751V-40-X	SB DIODE		1	
	D6001	MA111-X	SI DIODE		1	
	D6001 or	SDS511-X	SI DIODE		1	
	D6001 or	1SS355W-X	DIODE		1	
	D6101	MA2Z720-X	SB DIODE		1	
	D6102	MA2Z720-X	SB DIODE		1	
	D6201	MA2Z720-X	SB DIODE		1	
	D6202	MA2Z720-X	SB DIODE		1	
	D6401	MA22D23-X	SB DIODE		1	
	D6402	MA22D23-X	SB DIODE		1	
	D6403	MA22D23-X	SB DIODE		1	
	D6501	MA2Z720-X	SB DIODE		1	
	D6601	MA2Z720-X	SB DIODE		1	
	D6701	MA22D23-X	SB DIODE		1	
	D6801	MA22D23-X	SB DIODE		1	
	C111	NCB11AK-106X	C CAPACITOR	10uF 10V K	1	
	C112	NCBA1CK-103W	C CAPACITOR	0.01uF 16V K	1	
	C601	NCB31HK-104X	C CAPACITOR	0.1uF 50V K	1	
	C1009	NCBA1AK-104W	C CAPACITOR	0.1uF 10V K	1	
	C1010	NCB20JK-106X	C CAPACITOR	10uF 6.3V K	1	
	C1011	NCBA1CK-103W	C CAPACITOR	0.01uF 16V K	1	
	C1012	NCBA1AK-104W	C CAPACITOR	0.1uF 10V K	1	
	C1013	NCB31CK-105X	C CAPACITOR	1uF 16V K	1	
	C1015	NCBA1AK-104W	C CAPACITOR	0.1uF 10V K	1	
	C1019	NCBA1AK-104W	C CAPACITOR	0.1uF 10V K	1	
	C1030	NCBA1AK-104W	C CAPACITOR	0.1uF 10V K	1	
	C1031	NCBA1CK-103W	C CAPACITOR	0.01uF 16V K	1	
	C1032	NCBA1AK-104W	C CAPACITOR	0.1uF 10V K	1	
	C1033	NCBA1AK-104W	C CAPACITOR	0.1uF 10V K	1	
	C1035	NCBA1AK-104W	C CAPACITOR	0.1uF 10V K	1	
	C1036	NCBA1AK-104W	C CAPACITOR	0.1uF 10V K	1	
	C1037	NCBA1AK-104W	C CAPACITOR	0.1uF 10V K	1	
	C1038	NCBA1AK-104W	C CAPACITOR	0.1uF 10V K	1	
	C1039	NCBA1AK-104W	C CAPACITOR	0.1uF 10V K	1	
	C1040	NCBA1AK-104W	C CAPACITOR	0.1uF 10V K	1	
	C1044	NCBA1AK-104W	C CAPACITOR	0.1uF 10V K	1	
	C1061	NCBA1AK-104W	C CAPACITOR	0.1uF 10V K	1	
	C1064	NCBA1AK-104W	C CAPACITOR	0.1uF 10V K	1	
	C1065	NCBA1AK-104W	C CAPACITOR	0.1uF 10V K	1	
	C1074	NCBA1AK-104W	C CAPACITOR	0.1uF 10V K	1	
	C1076	NCBA1AK-104W	C CAPACITOR	0.1uF 10V K	1	
	C2101	NCBA1CK-153W	C CAPACITOR	0.015uF 16V K	1	
	C2102	NCBA1CK-153W	C CAPACITOR	0.015uF 16V K	1	
	C2103	NCBA1CK-103W	C CAPACITOR	0.01uF 16V K	1	
	C2104	NCBA1CK-103W	C CAPACITOR	0.01uF 16V K	1	
	C2105	NCB31CK-105X	C CAPACITOR	1uF 16V K	1	
	C2106	NCB31CK-105X	C CAPACITOR	1uF 16V K	1	
	C2109	NCB31CK-105X	C CAPACITOR	1uF 16V K	1	
	C2402	NCJ30JM-106X-U	C CAPACITOR	10uF 6.3V M	1	
	C2403	NCJ30JM-106X-U	C CAPACITOR	10uF 6.3V M	1	
	C2405	NCBA1AK-104W	C CAPACITOR	0.1uF 10V K	1	
	C2406	NCB31CK-105X	C CAPACITOR	1uF 16V K	1	
	C2407	NCB31CK-105X	C CAPACITOR	1uF 16V K	1	
	C2410	NCBA1AK-104W	C CAPACITOR	0.1uF 10V K	1	
	C2413	NCBA1AK-104W	C CAPACITOR	0.1uF 10V K	1	
	C2416	NCJ30JM-106X-U	C CAPACITOR	10uF 6.3V M	1	
	C2418	NCJ30JM-106X-U	C CAPACITOR	10uF 6.3V M	1	
	C2419	NCJ30JM-106X-U	C CAPACITOR	10uF 6.3V M	1	
	C2601	NCBA1AK-104W	C CAPACITOR	0.1uF 10V K	1	
	C2602	NCBA1EK-682W	C CAPACITOR	6800pF 25V K	1	
	C2603	NCBA1CK-153W	C CAPACITOR	0.015uF 16V K	1	
	C2701	NCB31CK-105X	C CAPACITOR	1uF 16V K	1	

MODEL	MARK	MODEL	MARK	MODEL	MARK	MODEL	MARK
GZ-HM300SAA	A	GZ-HM300SAC	B	GZ-HM300SAG	C	GZ-HM300SAH	D
GZ-HM300SAS	E	GZ-HM300SEK	F	GZ-HM300SEU	G		

Safe	Symbol No.	Parts No.	Parts Name	Description	QTY	Local
	C2702	NCB31CK-105X	C CAPACITOR	1uF 16V K	1	
	C3002	NCB20JK-475X	C CAPACITOR	4.7uF 6.3V K	1	
	C3003	NCBA1CK-103W	C CAPACITOR	0.01uF 16V K	1	
	C3005	NCB31CK-105X	C CAPACITOR	1uF 16V K	1	
	C3007	NCB31CK-105X	C CAPACITOR	1uF 16V K	1	
	C3012	NCBA1AK-104W	C CAPACITOR	0.1uF 10V K	1	
	C3019	NCBA1AK-104W	C CAPACITOR	0.1uF 10V K	1	
	C3027	NCBA1CK-103W	C CAPACITOR	0.01uF 16V K	1	
	C3029	NCBA1AK-104W	C CAPACITOR	0.1uF 10V K	1	
	C3036	NCBA1AK-104W	C CAPACITOR	0.1uF 10V K	1	
	C3038	NCBA1AK-104W	C CAPACITOR	0.1uF 10V K	1	
	C3041	NCBA1AK-104W	C CAPACITOR	0.1uF 10V K	1	
	C3046	NCBA1AK-104W	C CAPACITOR	0.1uF 10V K	1	
	C3047	NCBA1AK-104W	C CAPACITOR	0.1uF 10V K	1	
	C3048	NCBA1AK-104W	C CAPACITOR	0.1uF 10V K	1	
	C3056	NCBA1AK-104W	C CAPACITOR	0.1uF 10V K	1	
	C3101	NCBA1AK-104W	C CAPACITOR	0.1uF 10V K	1	
	C3102	NCBA1CK-103W	C CAPACITOR	0.01uF 16V K	1	
	C3103	NCBA1AK-104W	C CAPACITOR	0.1uF 10V K	1	
	C3104	NCBA1CK-103W	C CAPACITOR	0.01uF 16V K	1	
	C3105	NCBA1AK-104W	C CAPACITOR	0.1uF 10V K	1	
	C3106	NCBA1CK-103W	C CAPACITOR	0.01uF 16V K	1	
	C3107	NCBA1AK-104W	C CAPACITOR	0.1uF 10V K	1	
	C3108	NCBA1CK-103W	C CAPACITOR	0.01uF 16V K	1	
	C3201	NCBA1AK-104W	C CAPACITOR	0.1uF 10V K	1	
	C3701	NCB31CK-105X	C CAPACITOR	1uF 16V K	1	
	C3703	NCB31CK-105X	C CAPACITOR	1uF 16V K	1	
	C3705	NCBA1AK-104W	C CAPACITOR	0.1uF 10V K	1	
	C3706	NCBA1AK-104W	C CAPACITOR	0.1uF 10V K	1	
	C3707	NCBA1AK-104W	C CAPACITOR	0.1uF 10V K	1	
	C3708	NCB31CK-105X	C CAPACITOR	1uF 16V K	1	
	C3709	NCB31CK-105X	C CAPACITOR	1uF 16V K	1	
	C3710	NCJ30JM-106X-U	C CAPACITOR	10uF 6.3V M	1	
	C3711	NCBA1AK-104W	C CAPACITOR	0.1uF 10V K	1	
	C3712	NCBA1AK-104W	C CAPACITOR	0.1uF 10V K	1	
	C3713	NCB31CK-105X	C CAPACITOR	1uF 16V K	1	
	C4502	NCBA1AK-104W	C CAPACITOR	0.1uF 10V K	1	
	C4503	NCJ30JK-475X-U	C CAPACITOR	4.7uF 6.3V K	1	
	C4505	NCJ30JK-475X-U	C CAPACITOR	4.7uF 6.3V K	1	
	C4506	NCBA1AK-104W	C CAPACITOR	0.1uF 10V K	1	
	C4508	NCBA1AK-104W	C CAPACITOR	0.1uF 10V K	1	
	C4509	NCBA1AK-104W	C CAPACITOR	0.1uF 10V K	1	
	C4511	NCBA1AK-104W	C CAPACITOR	0.1uF 10V K	1	
	C4514	NCBA1AK-104W	C CAPACITOR	0.1uF 10V K	1	
	C4516	NCBA1CK-103W	C CAPACITOR	0.01uF 16V K	1	
	C4517	NCJA0JK-105W-U	C CAPACITOR	1uF 6.3V K	1	
	C4518	NCJA0JK-105W-U	C CAPACITOR	1uF 6.3V K	1	
	C4522	NCJA0JK-105W-U	C CAPACITOR	1uF 6.3V K	1	
	C4523	NCJA0JK-105W-U	C CAPACITOR	1uF 6.3V K	1	
	C4524	NCJA0JK-105W-U	C CAPACITOR	1uF 6.3V K	1	
	C4525	NCBA1CK-103W	C CAPACITOR	0.01uF 16V K	1	
	C4528	NCBA1AK-104W	C CAPACITOR	0.1uF 10V K	1	
	C4529	NCJ30JK-475X-U	C CAPACITOR	4.7uF 6.3V K	1	
	C4533	NCBA1AK-104W	C CAPACITOR	0.1uF 10V K	1	
	C4534	NCBA1AK-104W	C CAPACITOR	0.1uF 10V K	1	
	C4539	NCJ30JK-475X-U	C CAPACITOR	4.7uF 6.3V K	1	
	C4540	NCBA1AK-104W	C CAPACITOR	0.1uF 10V K	1	
	C4542	NCBA1AK-104W	C CAPACITOR	0.1uF 10V K	1	
	C4544	NCBA1AK-104W	C CAPACITOR	0.1uF 10V K	1	
	C4545	NCJA0JK-105W-U	C CAPACITOR	1uF 6.3V K	1	
	C4546	NCJA0JK-105W-U	C CAPACITOR	1uF 6.3V K	1	
	C4547	NCJA0JK-105W-U	C CAPACITOR	1uF 6.3V K	1	
	C4553	NCJ30JK-475X-U	C CAPACITOR	4.7uF 6.3V K	1	
	C4556	NCJ30JK-475X-U	C CAPACITOR	4.7uF 6.3V K	1	
	C4558	NCBA1AK-104W	C CAPACITOR	0.1uF 10V K	1	
	C4559	NCJA0JK-105W-U	C CAPACITOR	1uF 6.3V K	1	
	C4560	NCBA1CK-103W	C CAPACITOR	0.01uF 16V K	1	
	C4561	NCJA0JK-105W-U	C CAPACITOR	1uF 6.3V K	1	
	C4563	NCJA0JK-105W-U	C CAPACITOR	1uF 6.3V K	1	
	C4564	NCJ30JK-475X-U	C CAPACITOR	4.7uF 6.3V K	1	
	C4565	NCJ30JK-475X-U	C CAPACITOR	4.7uF 6.3V K	1	
	C4567	NCB31HK-104X	C CAPACITOR	0.1uF 50V K	1	
	C4568	NCJA0JK-105W-U	C CAPACITOR	1uF 6.3V K	1	
	C4573	NCJA0JK-105W-U	C CAPACITOR	1uF 6.3V K	1	
	C4574	NCJA0JK-105W-U	C CAPACITOR	1uF 6.3V K	1	
	C4901	NCB20JK-106X	C CAPACITOR	10uF 6.3V K	1	
	C4902	NCB20JK-106X	C CAPACITOR	10uF 6.3V K	1	
	C4903	NCBA1AK-104W	C CAPACITOR	0.1uF 10V K	1	
	C4904	NCBA1HJ-101W	C CAPACITOR	100pF 50V J	1	
	C4905	NCBA1AK-104W	C CAPACITOR	0.1uF 10V K	1	
	C4906	NCBA1CK-103W	C CAPACITOR	0.01uF 16V K	1	
	C4907	NCBA1HJ-101W	C CAPACITOR	100pF 50V J	1	
	C4908	NCBA1AK-104W	C CAPACITOR	0.1uF 10V K	1	
	C4909	NCBA1AK-104W	C CAPACITOR	0.1uF 10V K	1	
	C4910	NCBA1HK-102W	C CAPACITOR	1000pF 50V K	1	
	C4916	NCB20JK-106X	C CAPACITOR	10uF 6.3V K	1	
	C4918	NCB20JK-106X	C CAPACITOR	10uF 6.3V K	1	
	C4921	NCB31CK-105X	C CAPACITOR	1uF 16V K	1	
	C6003	NCBA1AK-104W	C CAPACITOR	0.1uF 10V K	1	
	C6006	NCB31CK-104X	C CAPACITOR	0.1uF 16V K	1	
	C6007	NCJ30JM-106X-U	C CAPACITOR	10uF 6.3V M	1	
	C6008	NCB31CK-104X	C CAPACITOR	0.1uF 16V K	1	

MODEL	MARK	MODEL	MARK	MODEL	MARK	MODEL	MARK
GZ-HM300SAA	A	GZ-HM300SAC	B	GZ-HM300SAG	C	GZ-HM300SAH	D
GZ-HM300SAS	E	GZ-HM300SEK	F	GZ-HM300SEU	G		

Safe	Symbol No.	Parts No.	Parts Name	Description	QTY	Local
	C6009	NCBA1HK-152W	C CAPACITOR	1500pF 50V K	1	
	C6010	NCBA1HK-821W	C CAPACITOR	820pF 50V K	1	
	C6011	NCB31CK-104X	C CAPACITOR	0.1uF 16V K	1	
	C6012	NCBA1HK-102W	C CAPACITOR	1000pF 50V K	1	
	C6015	NDCA1HJ-220W	C CAPACITOR	22pF 50V J	1	
	C6019	NDCA1HJ-220W	C CAPACITOR	22pF 50V J	1	
	C6020	NDCA1HJ-220W	C CAPACITOR	22pF 50V J	1	
	C6021	NDCA1HJ-560W	C CAPACITOR	56pF 50V J	1	
	C6023	NCB31CK-105X	C CAPACITOR	1uF 16V K	1	
	C6024	NCBA1AK-104W	C CAPACITOR	0.1uF 10V K	1	
	C6026	NCBA1HK-221W	C CAPACITOR	220pF 50V K	1	
	C6028	NCB20JK-475X	C CAPACITOR	4.7uF 6.3V K	1	
	C6031	NCB20JK-106X	C CAPACITOR	10uF 6.3V K	1	
	C6032	NCB20JK-106X	C CAPACITOR	10uF 6.3V K	1	
	C6033	NCBA1HK-102W	C CAPACITOR	1000pF 50V K	1	
	C6101	NCJ20JM-226X-R	C CAPACITOR	22uF 6.3V M	1	
	C6102	NCB31CK-105X	C CAPACITOR	1uF 16V K	1	
	C6103	NCB31CK-105X	C CAPACITOR	1uF 16V K	1	
	C6201	NCJ20JM-226X-R	C CAPACITOR	22uF 6.3V M	1	
	C6202	NCB31CK-105X	C CAPACITOR	1uF 16V K	1	
	C6205	NCB20JK-475X	C CAPACITOR	4.7uF 6.3V K	1	
	C6206	NCB20JK-475X	C CAPACITOR	4.7uF 6.3V K	1	
	C6207	NBG80JM-226X	TA E CAPACITOR	22uF 6.3V M	1	
	C6401	NCJ20JM-226X-R	C CAPACITOR	22uF 6.3V M	1	
	C6403	NBG21AM-226X	TA E CAPACITOR	22uF 10V M	1	
	C6404	NCB20JK-106X	C CAPACITOR	10uF 6.3V K	1	
	C6501	NCJ20JM-226X-R	C CAPACITOR	22uF 6.3V M	1	
	C6502	NCB31CK-105X	C CAPACITOR	1uF 16V K	1	
	C6601	NCB11CK-475X	C CAPACITOR	4.7uF 16V K	1	
	C6602	NCB31CK-105X	C CAPACITOR	1uF 16V K	1	
	C6703	NCB20JK-106X	C CAPACITOR	10uF 6.3V K	1	
	C6704	NCB31CK-105X	C CAPACITOR	1uF 16V K	1	
	C6801	NCB20JK-106X	C CAPACITOR	10uF 6.3V K	1	
	C6802	NCB31CK-105X	C CAPACITOR	1uF 16V K	1	
	C6803	NCB20JK-106X	C CAPACITOR	10uF 6.3V K	1	
	C7901	NCB31CK-105X	C CAPACITOR	1uF 16V K	1	
	C7902	NCB31CK-105X	C CAPACITOR	1uF 16V K	1	
	C7903	NCB31CK-105X	C CAPACITOR	1uF 16V K	1	
	C7904	NCB31CK-105X	C CAPACITOR	1uF 16V K	1	
	C7905	NCB30JK-225X	C CAPACITOR	2.2uF 6.3V K	1	
	C7906	NCZ1083-475X	C CAPACITOR	4.7uF/16V	1	
	C7907	NCBA1AK-104W	C CAPACITOR	0.1uF 10V K	1	
	R120	NRSA6AD-680W	MG RESISTOR	68Ω 1/16W D	1	
	R121	NRSA6AD-680W	MG RESISTOR	68Ω 1/16W D	1	
	R122	NRSA6AD-680W	MG RESISTOR	68Ω 1/16W D	1	
	R123	NRSA6AD-680W	MG RESISTOR	68Ω 1/16W D	1	
	R181	NRSA6AJ-682W	MG RESISTOR	6.8kΩ 1/16W J	1	
	R184	NRSA6AJ-104W	MG RESISTOR	100kΩ 1/16W J	1	
	R185	NRSA6AJ-104W	MG RESISTOR	100kΩ 1/16W J	1	
	R1002	NRSA6AJ-223W	MG RESISTOR	22kΩ 1/16W J	1	
	R1005	NRSA6AJ-102W	MG RESISTOR	1kΩ 1/16W J	1	
	R1008	NRSA6AJ-153W	MG RESISTOR	15kΩ 1/16W J	1	
	R1009	NRSA6AJ-153W	MG RESISTOR	15kΩ 1/16W J	1	
	R1012	NRSA6AJ-121W	MG RESISTOR	120Ω 1/16W J	1	
	R1013	NRSA6AJ-473W	MG RESISTOR	47kΩ 1/16W J	1	
	R1015	NRSA6AJ-101W	MG RESISTOR	100Ω 1/16W J	1	
	R1017	NRSA6AJ-393W	MG RESISTOR	39kΩ 1/16W J	1	
	R1021	NRSA6AJ-223W	MG RESISTOR	22kΩ 1/16W J	1	
	R1022	NRSA6AJ-223W	MG RESISTOR	22kΩ 1/16W J	1	
	R1023	NRSA6AJ-474W	MG RESISTOR	470kΩ 1/16W J	1	
	R1025	NRSA6AJ-393W	MG RESISTOR	39kΩ 1/16W J	1	
	R1026	NRSA6AJ-224W	MG RESISTOR	220kΩ 1/16W J	1	
	R1027	NRSA6AD-103W	MG RESISTOR	10kΩ 1/16W D	1	
	R1030	NRSA6AJ-473W	MG RESISTOR	47kΩ 1/16W J	1	
	R1031	NRSA6AJ-102W	MG RESISTOR	1kΩ 1/16W J	1	
	R1032	NRSA6AJ-102W	MG RESISTOR	1kΩ 1/16W J	1	
	R1033	NRSA6AJ-104W	MG RESISTOR	100kΩ 1/16W J	1	
	R1038	NRSA6AJ-103W	MG RESISTOR	10kΩ 1/16W J	1	
	R1042	NRSA6AJ-102W	MG RESISTOR	1kΩ 1/16W J	1	
	R1047	NRSA6AJ-101W	MG RESISTOR	100Ω 1/16W J	1	
	R1050	NRSA6AJ-102W	MG RESISTOR	1kΩ 1/16W J	1	
	R1052	NRSA6AJ-103W	MG RESISTOR	10kΩ 1/16W J	1	
	R1053	NRSA6AJ-104W	MG RESISTOR	100kΩ 1/16W J	1	
	R1054	NRSA6AJ-104W	MG RESISTOR	100kΩ 1/16W J	1	
	R1056	NRSA6AJ-102W	MG RESISTOR	1kΩ 1/16W J	1	
	R1058	NRSA6AJ-102W	MG RESISTOR	1kΩ 1/16W J	1	
	R1061	NRSA6AJ-821W	MG RESISTOR	820Ω 1/16W J	1	
	R1063	NRSA6AJ-103W	MG RESISTOR	10kΩ 1/16W J	1	
	R1076	NRSA6AJ-101W	MG RESISTOR	100Ω 1/16W J	1	
	R1077	NRSA6AJ-101W	MG RESISTOR	100Ω 1/16W J	1	
	R1079	NRSA6AJ-102W	MG RESISTOR	1kΩ 1/16W J	1	
	R1080	NRSA6AJ-102W	MG RESISTOR	1kΩ 1/16W J	1	
	R1083	NRSA6AJ-181W	MG RESISTOR	180Ω 1/16W J	1	
	R1085	NRSA6AJ-102W	MG RESISTOR	1kΩ 1/16W J	1	
	R1086	NRSA6AJ-102W	MG RESISTOR	1kΩ 1/16W J	1	
	R1087	NRSA6AJ-102W	MG RESISTOR	1kΩ 1/16W J	1	
	R1088	NRSA6AJ-102W	MG RESISTOR	1kΩ 1/16W J	1	
	R1091	NRSA6AJ-102W	MG RESISTOR	1kΩ 1/16W J	1	
	R1092	NRSA6AJ-473W	MG RESISTOR	47kΩ 1/16W J	1	
	R1094	NRSA6AJ-101W	MG RESISTOR	100Ω 1/16W J	1	

MODEL	MARK	MODEL	MARK	MODEL	MARK	MODEL	MARK
GZ-HM300SAA	A	GZ-HM300SAC	B	GZ-HM300SAG	C	GZ-HM300SAH	D
GZ-HM300SAS	E	GZ-HM300SEK	F	GZ-HM300SEU	G		

Safe	Symbol No.	Parts No.	Parts Name	Description	QTY	Local
	R1095	NRSA6AJ-102W	MG RESISTOR	1kΩ 1/16W J	1	
	R1096	NRSA6AJ-102W	MG RESISTOR	1kΩ 1/16W J	1	
	R1098	NRSA6AJ-102W	MG RESISTOR	1kΩ 1/16W J	1	
	R1108	NRSA6AJ-101W	MG RESISTOR	100Ω 1/16W J	1	
	R1109	NRSA6AJ-102W	MG RESISTOR	1kΩ 1/16W J	1	
	R1110	NRSA6AJ-104W	MG RESISTOR	100kΩ 1/16W J	1	
	R1111	NRSA6AJ-101W	MG RESISTOR	100Ω 1/16W J	1	
	R1112	NRSA6AJ-101W	MG RESISTOR	100Ω 1/16W J	1	
	R1113	NRSA6AJ-101W	MG RESISTOR	100Ω 1/16W J	1	
	R1115	NRSA6AJ-102W	MG RESISTOR	1kΩ 1/16W J	1	
	R1116	NRSA6AJ-101W	MG RESISTOR	100Ω 1/16W J	1	
	R1117	NRSA6AJ-822W	MG RESISTOR	8.2kΩ 1/16W J	1	
	R1118	NRSA6AJ-101W	MG RESISTOR	100Ω 1/16W J	1	
	R1124	NRSA6AJ-0R0W	MG RESISTOR	0Ω 1/16W J	1	
	R1131	NRSA6AJ-473W	MG RESISTOR	47kΩ 1/16W J	1	
	R1159	NRSA6AJ-473W	MG RESISTOR	47kΩ 1/16W J	1	
	R1160	NRSA6AJ-102W	MG RESISTOR	1kΩ 1/16W J	1	
	R1161	NRSA6AJ-102W	MG RESISTOR	1kΩ 1/16W J	1	
	R1174	NRSA6AJ-101W	MG RESISTOR	100Ω 1/16W J	1	
	R1182	NRSA6AJ-102W	MG RESISTOR	1kΩ 1/16W J	1	
	R1214	NRSA6AJ-102W	MG RESISTOR	1kΩ 1/16W J	1	
	R1218	NRSA6AJ-473W	MG RESISTOR	47kΩ 1/16W J	1	
	R2101	NRSA6AJ-222W	MG RESISTOR	2.2kΩ 1/16W J	1	
	R2102	NRSA6AJ-222W	MG RESISTOR	2.2kΩ 1/16W J	1	
	R2404	NRSA6AJ-100W	MG RESISTOR	10Ω 1/16W J	1	
	R2405	NRSA6AJ-472W	MG RESISTOR	4.7kΩ 1/16W J	1	
	R2406	NRSA6AJ-183W	MG RESISTOR	18kΩ 1/16W J	1	
	R2407	NRSA6AJ-223W	MG RESISTOR	22kΩ 1/16W J	1	
	R2412	NRSA6AJ-100W	MG RESISTOR	10Ω 1/16W J	1	
	R2601	NRSA6AJ-563W	MG RESISTOR	56kΩ 1/16W J	1	
	R2602	NRSA6AJ-682W	MG RESISTOR	6.8kΩ 1/16W J	1	
	R2603	NRSA6AJ-272W	MG RESISTOR	2.7kΩ 1/16W J	1	
	R2701	NRSA6AJ-821W	MG RESISTOR	820Ω 1/16W J	1	
	R2702	NRSA6AJ-821W	MG RESISTOR	820Ω 1/16W J	1	
	R2703	NRSA6AJ-564W	MG RESISTOR	560kΩ 1/16W J	1	
	R2704	NRSA6AJ-564W	MG RESISTOR	560kΩ 1/16W J	1	
	R2705	NRSA6AJ-332W	MG RESISTOR	3.3kΩ 1/16W J	1	
	R3002	NRSA6AJ-820W	MG RESISTOR	82Ω 1/16W J	1	
	R3004	NRSA6AJ-680W	MG RESISTOR	68Ω 1/16W J	1	
	R3005	NRSA6AJ-820W	MG RESISTOR	82Ω 1/16W J	1	
	R3006	NRSA6AJ-102W	MG RESISTOR	1kΩ 1/16W J	1	
	R3010	NRSA6AJ-390W	MG RESISTOR	39Ω 1/16W J	1	
	R3011	NRSA6AJ-390W	MG RESISTOR	39Ω 1/16W J	1	
	R3012	NRSA6AJ-113W	MG RESISTOR	11kΩ 1/16W J	1	
	R3013	NRSA6AJ-0R0W	MG RESISTOR	0Ω 1/16W J	1	
	R3014	NRSA6AJ-0R0W	MG RESISTOR	0Ω 1/16W J	1	
	R3015	NRSA6AJ-0R0W	MG RESISTOR	0Ω 1/16W J	1	
	R3016	NRSA6AJ-0R0W	MG RESISTOR	0Ω 1/16W J	1	
	R3017	NRSA6AJ-0R0W	MG RESISTOR	0Ω 1/16W J	1	
	R3019	NRSA6AJ-103W	MG RESISTOR	10kΩ 1/16W J	1	
	R3020	NRSA6AJ-221W	MG RESISTOR	220Ω 1/16W J	1	
	R3022	NRSA6AJ-103W	MG RESISTOR	10kΩ 1/16W J	1	
	R3031	NRSA6AJ-0R0W	MG RESISTOR	0Ω 1/16W J	1	
	R3032	NRSA6AJ-122W	MG RESISTOR	1.2kΩ 1/16W J	1	
	R3033	NRSA6AJ-122W	MG RESISTOR	1.2kΩ 1/16W J	1	
	R3034	NRSA6AJ-122W	MG RESISTOR	1.2kΩ 1/16W J	1	
	R3036	NRSA6AJ-222W	MG RESISTOR	2.2kΩ 1/16W J	1	
	R3037	NRSA6AJ-222W	MG RESISTOR	2.2kΩ 1/16W J	1	
	R3039	NRSA6AJ-221W	MG RESISTOR	220Ω 1/16W J	1	
	R3040	NRSA6AJ-104W	MG RESISTOR	100kΩ 1/16W J	1	
	R3041	NRSA6AJ-473W	MG RESISTOR	47kΩ 1/16W J	1	
	R3049	NRSA6AJ-820W	MG RESISTOR	82Ω 1/16W J	1	
	R3062	NRSA6AJ-0R0W	MG RESISTOR	0Ω 1/16W J	1	
	R3067	NRSA6AJ-0R0W	MG RESISTOR	0Ω 1/16W J	1	
	R3092	NRSA6AJ-0R0W	MG RESISTOR	0Ω 1/16W J	1	
	R3093	NRSA6AJ-0R0W	MG RESISTOR	0Ω 1/16W J	1	
	R3094	NRSA6AJ-0R0W	MG RESISTOR	0Ω 1/16W J	1	
	R3101	NRSA6AJ-101W	MG RESISTOR	100Ω 1/16W J	1	
	R3102	NRSA6AJ-101W	MG RESISTOR	100Ω 1/16W J	1	
	R3103	NRSA6AJ-101W	MG RESISTOR	100Ω 1/16W J	1	
	R3104	NRSA6AJ-101W	MG RESISTOR	100Ω 1/16W J	1	
	R3111	NRSA6AJ-101W	MG RESISTOR	100Ω 1/16W J	1	
	R3112	NRSA6AJ-101W	MG RESISTOR	100Ω 1/16W J	1	
	R3113	NRSA6AJ-101W	MG RESISTOR	100Ω 1/16W J	1	
	R3114	NRSA6AJ-101W	MG RESISTOR	100Ω 1/16W J	1	
	R3121	NRSA6AJ-101W	MG RESISTOR	100Ω 1/16W J	1	
	R3122	NRSA6AJ-101W	MG RESISTOR	100Ω 1/16W J	1	
	R3123	NRSA6AJ-101W	MG RESISTOR	100Ω 1/16W J	1	
	R3124	NRSA6AJ-101W	MG RESISTOR	100Ω 1/16W J	1	
	R3201	NRSA6AJ-473W	MG RESISTOR	47kΩ 1/16W J	1	
	R3205	NRSA6AJ-473W	MG RESISTOR	47kΩ 1/16W J	1	
	R3751	NRSA6AJ-332W	MG RESISTOR	3.3kΩ 1/16W J	1	
	R3752	NRSA6AJ-822W	MG RESISTOR	8.2kΩ 1/16W J	1	
	R3753	NRSA6AJ-103W	MG RESISTOR	10kΩ 1/16W J	1	
	R3754	NRSA6AJ-103W	MG RESISTOR	10kΩ 1/16W J	1	
	R4517	NRSA6AJ-101W	MG RESISTOR	100Ω 1/16W J	1	
	R4518	NRSA6AJ-0R0W	MG RESISTOR	0Ω 1/16W J	1	
	R4522	NRSA6AJ-101W	MG RESISTOR	100Ω 1/16W J	1	
	R4523	NRSA6AJ-101W	MG RESISTOR	100Ω 1/16W J	1	
	R4524	NRSA6AJ-101W	MG RESISTOR	100Ω 1/16W J	1	

MODEL	MARK	MODEL	MARK	MODEL	MARK	MODEL	MARK
GZ-HM300SAA	A	GZ-HM300SAC	B	GZ-HM300SAG	C	GZ-HM300SAH	D
GZ-HM300SAS	E	GZ-HM300SEK	F	GZ-HM300SEU	G		

Safe	Symbol No.	Parts No.	Parts Name	Description	QTY	Local
	R4525	NRSA6AJ-101W	MG RESISTOR	100Ω 1/16W J	1	
	R4526	NRSA6AJ-101W	MG RESISTOR	100Ω 1/16W J	1	
	R4527	NRSA6AJ-101W	MG RESISTOR	100Ω 1/16W J	1	
	R4529	NRSA6AJ-102W	MG RESISTOR	1kΩ 1/16W J	1	
	R4542	NRSA6AJ-101W	MG RESISTOR	100Ω 1/16W J	1	
	R4550	NRSA6AJ-273W	MG RESISTOR	27kΩ 1/16W J	1	
	R4552	NRSA6AJ-0R0W	MG RESISTOR	0Ω 1/16W J	1	
	R4553	NRSA6AJ-103W	MG RESISTOR	10kΩ 1/16W J	1	
	R4554	NRSA6AD-511W	MG RESISTOR	510Ω 1/16W D	1	
	R4555	NRSA6AJ-682W	MG RESISTOR	6.8kΩ 1/16W J	1	
	R4556	NRSA6AJ-101W	MG RESISTOR	100Ω 1/16W J	1	
	R4557	NRSA6AJ-101W	MG RESISTOR	100Ω 1/16W J	1	
	R4560	NRSA6AD-222W	MG RESISTOR	2.2kΩ 1/16W D	1	
	R4561	NRSA6AD-222W	MG RESISTOR	2.2kΩ 1/16W D	1	
	R4562	NRSA6AD-222W	MG RESISTOR	2.2kΩ 1/16W D	1	
	R4563	NRSA6AD-474W	MG RESISTOR	470kΩ 1/16W D	1	
	R4564	NRSA6AD-103W	MG RESISTOR	10kΩ 1/16W D	1	
	R4565	NRSA6AD-133W	MG RESISTOR	13kΩ 1/16W D	1	
	R4566	NRSA6AD-183W	MG RESISTOR	18kΩ 1/16W D	1	
	R4567	NRSA6AJ-0R0W	MG RESISTOR	0Ω 1/16W J	1	
	R4569	NRSA6AJ-100W	MG RESISTOR	10Ω 1/16W J	1	
	R4575	NRSA6AD-101W	MG RESISTOR	100Ω 1/16W D	1	
	R4576	NRSA6AD-101W	MG RESISTOR	100Ω 1/16W D	1	
	R4577	NRSA6AJ-152W	MG RESISTOR	1.5kΩ 1/16W J	1	
	R4578	NRSA6AJ-152W	MG RESISTOR	1.5kΩ 1/16W J	1	
	R4580	NRSA6AD-151W	MG RESISTOR	150Ω 1/16W D	1	
	R4583	NRSA6AJ-182W	MG RESISTOR	1.8kΩ 1/16W J	1	
	R4584	NRSA6AJ-182W	MG RESISTOR	1.8kΩ 1/16W J	1	
	R4588	NRSA6AJ-102W	MG RESISTOR	1kΩ 1/16W J	1	
	R4590	NRSA6AJ-103W	MG RESISTOR	10kΩ 1/16W J	1	
	R4591	NRSA6AJ-101W	MG RESISTOR	100Ω 1/16W J	1	
	R4901	NRSA6AJ-103W	MG RESISTOR	10kΩ 1/16W J	1	
	R4902	NRSA6AJ-103W	MG RESISTOR	10kΩ 1/16W J	1	
	R4903	NRSA6AJ-103W	MG RESISTOR	10kΩ 1/16W J	1	
	R4906	NRSA6AJ-101W	MG RESISTOR	100Ω 1/16W J	1	
	R4909	NRSA6AJ-331W	MG RESISTOR	330Ω 1/16W J	1	
	R4910	NRSA6AJ-331W	MG RESISTOR	330Ω 1/16W J	1	
	R4913	NRSA6AJ-121W	MG RESISTOR	120Ω 1/16W J	1	
	R4914	NRSA6AJ-121W	MG RESISTOR	120Ω 1/16W J	1	
	R4922	NRSA6AJ-123W	MG RESISTOR	12kΩ 1/16W J	1	
	R4923	NRSA6AJ-123W	MG RESISTOR	12kΩ 1/16W J	1	
	R4924	NRSA6AJ-562W	MG RESISTOR	5.6kΩ 1/16W J	1	
	R4925	NRSA6AJ-122W	MG RESISTOR	1.2kΩ 1/16W J	1	
	R4926	NRSA6AJ-181W	MG RESISTOR	180Ω 1/16W J	1	
	R6002	NRSA6AJ-474W	MG RESISTOR	470kΩ 1/16W J	1	
	R6004	NRSA6AD-624W	MG RESISTOR	620kΩ 1/16W D	1	
	R6005	NRSA6AD-564W	MG RESISTOR	560kΩ 1/16W D	1	
	R6006	NRSA6AD-474W	MG RESISTOR	470kΩ 1/16W D	1	
	R6007	NRSA6AD-624W	MG RESISTOR	620kΩ 1/16W D	1	
	R6008	NRSA6AD-103W	MG RESISTOR	10kΩ 1/16W D	1	
	R6009	NRSA6AD-473W	MG RESISTOR	47kΩ 1/16W D	1	
	R6010	NRSA6AD-473W	MG RESISTOR	47kΩ 1/16W D	1	
	R6013	NRSA6AJ-101W	MG RESISTOR	100Ω 1/16W J	1	
	R6014	NRV142F-R20X	CMF RESISTOR	0.2Ω 1/4W F	1	
	R6015	NRSA6AJ-104W	MG RESISTOR	100kΩ 1/16W J	1	
	R6017	NRSA6AJ-105W	MG RESISTOR	1MΩ 1/16W J	1	
	R6018	NRSA6AJ-0R0W	MG RESISTOR	0Ω 1/16W J	1	
	R6019	NRSA6AJ-102W	MG RESISTOR	1kΩ 1/16W J	1	
	R6101	NRSA6AD-334W	MG RESISTOR	330kΩ 1/16W D	1	
	R6102	NRSA6AD-134W	MG RESISTOR	130kΩ 1/16W D	1	
	R6108	NRSA6AJ-273W	MG RESISTOR	27kΩ 1/16W J	1	
	R6201	NRSA6AD-334W	MG RESISTOR	330kΩ 1/16W D	1	
	R6202	NRSA6AD-134W	MG RESISTOR	130kΩ 1/16W D	1	
	R6204	NRSA6AJ-0R0W	MG RESISTOR	0Ω 1/16W J	1	
	R6206	NRSA63J-0R0X	MG RESISTOR	0Ω 1/10W J	1	
	R6301	NRSA6AD-333W	MG RESISTOR	33kΩ 1/16W D	1	
	R6401	NRSA6AD-434W	MG RESISTOR	430kΩ 1/16W D	1	
	R6402	NRSA6AD-823W	MG RESISTOR	82kΩ 1/16W D	1	
	R6404	NRSA6AJ-333W	MG RESISTOR	33kΩ 1/16W J	1	
	R6409	NRSA6AJ-563W	MG RESISTOR	56kΩ 1/16W J	1	
	R6410	NRSA63J-0R0X	MG RESISTOR	0Ω 1/10W J	1	
	R6411	NRSA63J-0R0X	MG RESISTOR	0Ω 1/10W J	1	
	R6412	NRSA6AJ-222W	MG RESISTOR	2.2kΩ 1/16W J	1	
	R6501	NRSA6AD-303W	MG RESISTOR	30kΩ 1/16W D	1	
	R6502	NRSA6AD-243W	MG RESISTOR	24kΩ 1/16W D	1	
	R6503	NRSA6AJ-0R0W	MG RESISTOR	0Ω 1/16W J	1	
	R6507	NRSA63J-0R0X	MG RESISTOR	0Ω 1/10W J	1	
	R6601	NRSA6AD-753W	MG RESISTOR	75kΩ 1/16W D	1	
	R6602	NRSA6AD-103W	MG RESISTOR	10kΩ 1/16W D	1	
	R6605	NRSA63J-0R0X	MG RESISTOR	0Ω 1/10W J	1	
	R6606	NRSA6AJ-474W	MG RESISTOR	470kΩ 1/16W J	1	
	R6701	NRSA6AD-752W	MG RESISTOR	7.5kΩ 1/16W D	1	
	R6703	NRSA6AD-203W	MG RESISTOR	20kΩ 1/16W D	1	
	R6704	NRSA6AJ-222W	MG RESISTOR	2.2kΩ 1/16W J	1	
	R6705	NRSA6AJ-103W	MG RESISTOR	10kΩ 1/16W J	1	
	R6801	NRSA6AD-163W	MG RESISTOR	16kΩ 1/16W D	1	
	R6802	NRSA6AD-513W	MG RESISTOR	51kΩ 1/16W D	1	
	R6803	NRSA6AJ-0R0W	MG RESISTOR	0Ω 1/16W J	1	
	R6901	NRSA6AD-244W	MG RESISTOR	240kΩ 1/16W D	1	
	R6902	NRSA6AD-304W	MG RESISTOR	300kΩ 1/16W D	1	
	R7904	NRSA6AJ-104W	MG RESISTOR	100kΩ 1/16W J	1	
	RA1001	NRB04CJ-104W	NET RESISTOR	100kΩ J	1	

MODEL	MARK	MODEL	MARK	MODEL	MARK	MODEL	MARK
GZ-HM300SAA	A	GZ-HM300SAC	B	GZ-HM300SAG	C	GZ-HM300SAH	D
GZ-HM300SAS	E	GZ-HM300SEK	F	GZ-HM300SEU	G		

Safe	Symbol No.	Parts No.	Parts Name	Description	QTY	Local
	RA1002	NRZ0087-102W	NET RESISTOR	1kΩ	1	
	RA3003	NRB04CJ-104W	NET RESISTOR	100kΩ J	1	
	RA3007	NRZ0087-820W	NET RESISTOR	82Ω	1	
	RA3008	NRZ0087-820W	NET RESISTOR	82Ω	1	
	RA4502	NRB04CJ-100W	NET RESISTOR	10Ω J	1	
	RA4503	NRB04CJ-100W	NET RESISTOR	10Ω J	1	
	RA4506	NRB04CJ-101W	NET RESISTOR	100Ω J	1	
	L111	NRSA02J-0R0X	MG RESISTOR	0Ω 1/10W J	1	
	L601	NQR0506-002X	EMI FILTER		1	
	L661	NQL38DK-100X	P COIL	10uH K	1	
	L1001	NQL38DK-100X	P COIL	10uH K	1	
	L1002	NQL38DK-100X	P COIL	10uH K	1	
	L1003	NQL38DK-100X	P COIL	10uH K	1	
	L1004	NQL38DK-100X	P COIL	10uH K	1	
	L2401	NQLG13M-100X	COIL	10uH M	1	
	L2404	NQLG13M-100X	COIL	10uH M	1	
	L2406	NQLG13M-100X	COIL	10uH M	1	
	L2407	NQLG13M-100X	COIL	10uH M	1	
	L3001	NQR0499-001X	FERRITE BEADS		1	
	L3010	NQR0286-009X	FERRITE BEADS		1	
	L3011	NQR0286-009X	FERRITE BEADS		1	
	L4501	NQR0640-001X	EMI FILTER		1	
	L4502	NQR0640-001X	EMI FILTER		1	
	L6101	NQLH8GM-100X	COIL	10uH M	1	
	L6201	NQLJ5EM-100X	P COIL	10uH M	1	
	L6401	NQLH7EN-4R7X	COIL	4.7uH N	1	
	L6501	NQLJ5EM-4R7X	P COIL	4.7uH M	1	
	L6601	NQLH5EM-2R2X	COIL	2.2uH M	1	
	L6702	NQLG4EM-4R7X	COIL	4.7uH M	1	
	L6801	NQLG4EM-4R7X	COIL	4.7uH M	1	
	CN101	QGF0309F2-29X	CONNECTOR	FFC/FPC (1-29)	1	
	CN102	QGF0528F4-40X	CONNECTOR	FFC/FPC (1-40)	1	
	CN103	QGF0528F4-50X	CONNECTOR	FFC/FPC (1-50)	1	
	CN104	QGF0534F2-06X	CONNECTOR	FFC/FPC (1-6)	1	
	CN106	QGF0543F3-25X	CONNECTOR	FFC/FPC (1-25)	1	
	CN110	QGB0519J1-20X	CONNECTOR	B-B (1-20)	1	
	CN114	QGF0560F1-40X	CONNECTOR	FFC/FPC (1-40)	1	
	CN117	QGF0543F3-06X	CONNECTOR	FFC/FPC (1-6)	1	
	CN211	QGF0543F3-06X	CONNECTOR	FFC/FPC (1-6)	1	
	CN281	QGA1001F1-02X	CONNECTOR	W-B (1-2)	1	
	CN4203	QGA0401F2-20W	CONNECTOR	W-B (1-20)	1	
	K2101	NQR0559-009X	FERRITE BEADS		1	
	K2102	NQR0559-009X	FERRITE BEADS		1	
	K2103	NQR0559-009X	FERRITE BEADS		1	
	K4501	NRSA63D-330X	MG RESISTOR	33Ω 1/16W D	1	
	K4502	NQR0154-003X	FERRITE CORE		1	
	K4506	NRSA63J-0R0X	MG RESISTOR	0Ω 1/10W J	1	
	K4509	NQR0599-003X	FERRITE BEADS		1	
	K4511	NQR0154-003X	FERRITE CORE		1	
	K4512	NQR0599-003X	FERRITE BEADS		1	
	K4513	NQR0006-001X	FERRITE BEADS		1	
	K4514	NQR0415-001X	EMI FILTER	1uF 10V M	1	
	K4515	NQR0599-003X	FERRITE BEADS		1	
	K4516	NQR0599-003X	FERRITE BEADS		1	
	S101	NSW0322-001X	LEVER SWITCH		1	
	TP1	NNZ0163-001X	EARTH TERMINAL		1	
	TP3	NNZ0163-001X	EARTH TERMINAL		1	
	X1001	NAX0647-001X	C RESONATOR	20.000MHz	1	
	X1002	NAX0491-001X	CRYSTAL	32.768kHz	1	
	X3001	NAX1039-001X	C RESONATOR	48.000MHz	1	
	SENSOR BOARD ASSEMBLY <03>					
	PW351	LYA10205-01G2	SENSOR BOARD ASSY		1	
	CN351	QGF0549C2-10W	CONNECTOR	FFC/FPC (1-10)	1	
	SD BOARD ASSEMBLY <04>					
	PW851	LYA10207-01B	SD BOARD ASSY		1	
	C857	NCB31EK-104X	C CAPACITOR	0.1uF 25V K	1	
	C860	NCB31EK-104X	C CAPACITOR	0.1uF 25V K	1	
	C871	NCB20JK-106X	C CAPACITOR	10uF 6.3V K	1	
	C872	NCB20JK-106X	C CAPACITOR	10uF 6.3V K	1	
	C881	NCB20JK-106X	C CAPACITOR	10uF 6.3V K	1	
	C882	NCB20JK-106X	C CAPACITOR	10uF 6.3V K	1	
	R851	NRSA63J-473X	MG RESISTOR	47kΩ 1/16W J	1	
	R853	NRSA63J-103X	MG RESISTOR	10kΩ 1/16W J	1	
	R856	NRSA63J-103X	MG RESISTOR	10kΩ 1/16W J	1	
	R858	NRSA63J-820X	MG RESISTOR	82Ω 1/16W J	1	
	R860	NRSA63J-820X	MG RESISTOR	82Ω 1/16W J	1	
	R861	NRSA63J-0R0X	MG RESISTOR	0Ω 1/10W J	1	
	R868	NRSA63J-103X	MG RESISTOR	10kΩ 1/16W J	1	
	R871	NRSA63J-103X	MG RESISTOR	10kΩ 1/16W J	1	
	R872	NRSA63J-473X	MG RESISTOR	47kΩ 1/16W J	1	
	R875	NRSA63J-820X	MG RESISTOR	82Ω 1/16W J	1	
	R876	NRSA63J-0R0X	MG RESISTOR	0Ω 1/10W J	1	
	R881	NRSA63J-330X	MG RESISTOR	33Ω 1/16W J	1	
	R882	NRSA63J-330X	MG RESISTOR	33Ω 1/16W J	1	
	R915	NRSA63J-0R0X	MG RESISTOR	0Ω 1/10W J	1	
	R916	NRSA63J-0R0X	MG RESISTOR	0Ω 1/10W J	1	
	RA811	NRB04CJ-820W	NET RESISTOR	82Ω J	1	
	RA812	NRB04CJ-473W	NET RESISTOR	47kΩ J	1	
	RA813	NRB04CJ-820W	NET RESISTOR	82Ω J	1	
	RA814	NRB04CJ-473W	NET RESISTOR	47kΩ J	1	

MODEL	MARK	MODEL	MARK	MODEL	MARK	MODEL	MARK
GZ-HM300SAA	A	GZ-HM300SAC	B	GZ-HM300SAG	C	GZ-HM300SAH	D
GZ-HM300SAS	E	GZ-HM300SEK	F	GZ-HM300SEU	G		

Safe	Symbol No.	Parts No.	Parts Name	Description	QTY	Local
	CN851	QGF0560F1-40X	CONNECTOR	FFC/FPC (1-40)	1	
	CN852	NNZ0239-001X	SD CARD CONNE		1	
	CN853	NNZ0239-001X	SD CARD CONNE		1	
	K801	NQR0608-001X	FERRITE BEADS		1	
	K802	NQR0608-001X	FERRITE BEADS		1	
REAR BOARD ASSEMBLY <05>						
	PW601	LYA10204-04B	REAR BOARD ASSY		1	
	IC601	R1100D331C-X	IC		1	
	IC631	NAL0088-001X	GYRO SENSOR		1	
	Q601	TPCP8302-X	MOS FET ARRAY		1	
	D601	RKZ6.8B2KG-X	Z DIODE		1	
	D602	MA8100-X	Z DIODE		1	
	D602	or UDZW10B-X	Z DIODE		1	
	D604	MA8068-X	Z DIODE		1	
	D604	or UDZW6.8B-X	Z DIODE		1	
	D606	RB751V-40-X	SB DIODE		1	
	D608	RB715W-X	SB DIODE		1	
	D611	LNJ353W83-X	LED		1	
	D612	LHQ974/LM/-X	LED		1	
	D613	MA8068-X	Z DIODE		1	
	D613	or UDZW6.8B-X	Z DIODE		1	
	C603	NCB31HK-102X	C CAPACITOR	1000pF 50V K	1	
	C604	NCB31HK-102X	C CAPACITOR	1000pF 50V K	1	
	C606	NCB31CK-104X	C CAPACITOR	0.1uF 16V K	1	
	C607	NCB31CK-104X	C CAPACITOR	0.1uF 16V K	1	
	C608	NCB31CK-104X	C CAPACITOR	0.1uF 16V K	1	
	C609	NCB31CK-105X	C CAPACITOR	1uF 16V K	1	
	C610	NCB31CK-105X	C CAPACITOR	1uF 16V K	1	
	C630	NCB31CK-683X	C CAPACITOR	0.068uF 16V K	1	
	C631	NCB31HK-102X	C CAPACITOR	1000pF 50V K	1	
	C632	NCJ30JM-106X-U	C CAPACITOR	10uF 6.3V M	1	
	C633	NCB31HK-103X	C CAPACITOR	0.01uF 50V K	1	
	C634	NCB31CK-683X	C CAPACITOR	0.068uF 16V K	1	
	C635	NCB31HK-103X	C CAPACITOR	0.01uF 50V K	1	
	C636	NCJ30JM-106X-U	C CAPACITOR	10uF 6.3V M	1	
	C637	NCB31HK-102X	C CAPACITOR	1000pF 50V K	1	
	C638	NCB31HK-104X	C CAPACITOR	0.1uF 50V K	1	
	C639	NCJ30JM-106X-U	C CAPACITOR	10uF 6.3V M	1	
	R601	NRSA63J-101X	MG RESISTOR	100Ω 1/16W J	1	
	R602	NRSA63J-101X	MG RESISTOR	100Ω 1/16W J	1	
	R603	NRSA63J-0R0X	MG RESISTOR	0Ω 1/10W J	1	
	R604	NRSA63J-0R0X	MG RESISTOR	0Ω 1/10W J	1	
△	R606	NRSA63J-471X	MG RESISTOR	470Ω 1/16W J	1	
△	R607	NRSA63J-0R0X	MG RESISTOR	0Ω 1/10W J	1	
△	R609	NRSA63J-0R0X	MG RESISTOR	0Ω 1/10W J	1	
	R611	NRSA63J-0R0X	MG RESISTOR	0Ω 1/10W J	1	
	R612	NRSA63J-0R0X	MG RESISTOR	0Ω 1/10W J	1	
	R631	NRSA63J-564X	MG RESISTOR	560kΩ 1/16W J	1	
	R632	NRSA63J-564X	MG RESISTOR	560kΩ 1/16W J	1	
	R633	NRSA63J-154X	MG RESISTOR	150kΩ 1/16W J	1	
	R634	NRSA63J-154X	MG RESISTOR	150kΩ 1/16W J	1	
	R640	NRSA63J-0R0X	MG RESISTOR	0Ω 1/10W J	1	
	R641	NRSA63J-0R0X	MG RESISTOR	0Ω 1/10W J	1	
	R642	NRSA63J-0R0X	MG RESISTOR	0Ω 1/10W J	1	
	R643	NRSA63J-0R0X	MG RESISTOR	0Ω 1/10W J	1	
	R693	NRSA63J-682X	MG RESISTOR	6.8kΩ 1/16W J	1	
	R694	NRSA63J-153X	MG RESISTOR	15kΩ 1/16W J	1	
	L601	NRSA63J-0R0X	MG RESISTOR	0Ω 1/10W J	1	
	L602	NQR0251-004X	FERRITE BEADS		1	
	L603	NQR0251-004X	FERRITE BEADS		1	
	L631	NQR0129-002X	FERRITE BEADS		1	
	BT601	QNA0053-001	EXT BATT JACK		1	
△	BT602	QAB0040-001	LITHIUM BATTERY		1	
	CN601	QGF0566C1-50X	CONNECTOR	FFC/FPC (1-50)	1	
△	F601	NMFZ029-2R5X-JA	FUSE	2.5A	1	
△	F602	NMFZ029-2R5X-JA	FUSE	2.5A	1	
	J601	QNS0287-001	3.5 JACK		1	
	J602	QNA0054-001	DC JACK		1	
	J611	QNZ0922-001	USB CONNECTOR		1	
	S691	NSW0323-001X	TACT SWITCH		1	
	S692	NSW0323-001X	TACT SWITCH		1	
	S693	NSW0323-001X	TACT SWITCH		1	
	S694	NSW0323-001X	TACT SWITCH		1	
MONITOR BOARD ASSEMBLY <06>						
	PW701	LYA10205-01G1	MONITOR BOARD ASSY		1	
	IC301	CP7229AT-X	IC		1	
	IC701	HGDESN031A-X	IC		1	
	Q7701	2SC4617/QR/-X	TRANSISTOR		1	
	Q7701	or 2SC5383/E/-X	TRANSISTOR		1	
	Q7701	or 2SD2216J/QR/-X	TRANSISTOR		1	
	Q7702	UMX1N-W	PAIR TRANSISTOR		1	
	Q7702	or KTC801U/G/-X	TRANSISTOR		1	
	Q7702	or RT3CLLM/EF/-X	TRANSISTOR		1	
	Q7702	or XP4501-W	TRANSISTOR		1	
	Q7702	or PUMX1-W	PAIR TRANSISTOR		1	
	Q7703	UMX1N-W	PAIR TRANSISTOR		1	
	Q7703	or KTC801U/G/-X	TRANSISTOR		1	
	Q7703	or RT3CLLM/EF/-X	TRANSISTOR		1	
	Q7703	or XP4501-W	TRANSISTOR		1	
	Q7703	or PUMX1-W	PAIR TRANSISTOR		1	
	D301	QSMR-C13G-X	LED		1	

MODEL	MARK	MODEL	MARK	MODEL	MARK	MODEL	MARK
GZ-HM300SAA	A	GZ-HM300SAC	B	GZ-HM300SAG	C	GZ-HM300SAH	D
GZ-HM300SAS	E	GZ-HM300SEK	F	GZ-HM300SEU	G		

Safe	Symbol No.	Parts No.	Parts Name	Description	QTY	Local
	D302	QSMR-C13G-X	LED		1	
	D303	QSMR-C13G-X	LED		1	
	D304	QSMR-C13G-X	LED		1	
	D7301	RKZ5.1B2KG-X	SB DIODE		1	
	D7701	NESW006/T386-X	LED		1	
	D7702	NESW006/T386-X	LED		1	
	D7703	NESW006/T386-X	LED		1	
	D7704	NESW006/T386-X	LED		1	
	C301	NCB30JK-105X	C CAPACITOR	1uF 6.3V K	1	
	C304	NDC31HJ-102X	C CAPACITOR	1000pF 50V J	1	
	C7303	NCB31CK-104X	C CAPACITOR	0.1uF 16V K	1	
	C7306	NCB31CK-105X	C CAPACITOR	1uF 16V K	1	
	C7307	NCB21CK-105X	C CAPACITOR	1uF 16V K	1	
	C7308	NCB21CK-105X	C CAPACITOR	1uF 16V K	1	
	C7309	NCB21CK-105X	C CAPACITOR	1uF 16V K	1	
	C7701	NCB31CK-104X	C CAPACITOR	0.1uF 16V K	1	
	R301	NRSA63J-391X	MG RESISTOR	390Ω 1/16W J	1	
	R302	NRSA63J-391X	MG RESISTOR	390Ω 1/16W J	1	
	R303	NRSA63J-391X	MG RESISTOR	390Ω 1/16W J	1	
	R304	NRSA63J-391X	MG RESISTOR	390Ω 1/16W J	1	
	R305	NRSA63J-471X	MG RESISTOR	470Ω 1/16W J	1	
	R306	NRSA63J-0R0X	MG RESISTOR	0Ω 1/10W J	1	
	R307	NRSA63J-0R0X	MG RESISTOR	0Ω 1/10W J	1	
	R308	NRSA63J-0R0X	MG RESISTOR	0Ω 1/10W J	1	
	R309	NRSA63J-104X	MG RESISTOR	100kΩ 1/16W J	1	
	R7303	NRSA63J-222X	MG RESISTOR	2.2kΩ 1/16W J	1	
	R7304	NRSA63J-182X	MG RESISTOR	1.8kΩ 1/16W J	1	
	R7305	NRSA63J-105X	MG RESISTOR	1MΩ 1/16W J	1	
	R7306	NRSA63J-473X	MG RESISTOR	47kΩ 1/16W J	1	
	R7307	NRSA63J-473X	MG RESISTOR	47kΩ 1/16W J	1	
	R7308	NRSA63J-473X	MG RESISTOR	47kΩ 1/16W J	1	
	R7315	NRSA63J-0R0X	MG RESISTOR	0Ω 1/10W J	1	
	R7702	NRSA63D-561X	MG RESISTOR	560Ω 1/16W D	1	
	R7703	NRSA63D-240X	MG RESISTOR	24Ω 1/16W D	1	
	R7704	NRSA63D-240X	MG RESISTOR	24Ω 1/16W D	1	
	R7705	NRSA63D-240X	MG RESISTOR	24Ω 1/16W D	1	
	R7706	NRSA63D-240X	MG RESISTOR	24Ω 1/16W D	1	
	L303	NQL382M-100X	COIL	10uH M	1	
	L7701	NRSA63J-0R0X	MG RESISTOR	0Ω 1/10W J	1	
	CN301	QGF0534F2-10X	CONNECTOR	FFC/FPC (1-10)	1	
	CN701	QGF0534F2-24X	CONNECTOR	FFC/FPC (1-24)	1	
	CN703	QGF0534F2-28X	CONNECTOR	FFC/FPC (1-28)	1	
WB BOARD ASSEMBLY <07>						
	PW801	LYA10212-01A	WB BOARD ASSY		1	
	Q801	CPT-290S-C-X	PHOTO TRANSISTOR		1	
HDMI BOARD ASSEMBLY <08>						
	PW901	LYA10211-01A	HDMI BOARD ASSY		1	
	J902	NNZ0243-001X	HDMI CONNECTOR		1	
	J903	NNZ0225-001X	M CONNECTOR	COMPONENT CONN	1	