

# PARTS LIST

## SAFETY PRECAUTION

Parts identified by the  $\triangle$  symbol are critical for safety. Replace only with specified part numbers.

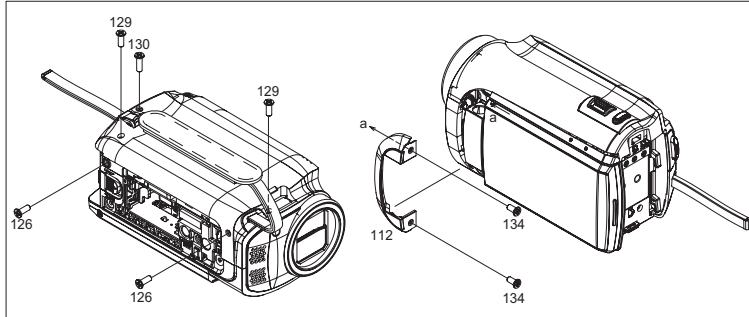
## BEWARE OF BOGUS PARTS

Parts that do not meet specifications may cause trouble in regard to safety and performance. We recommend that genuine JVC parts be used.

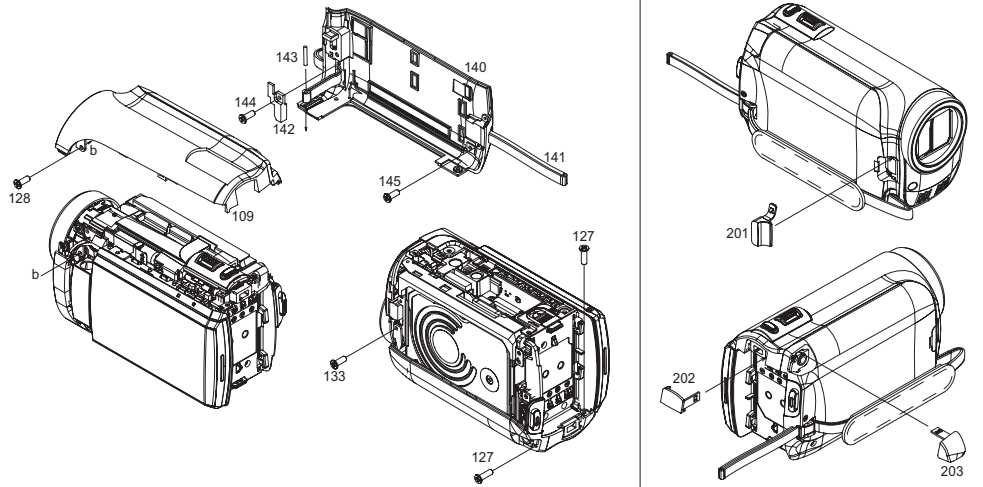
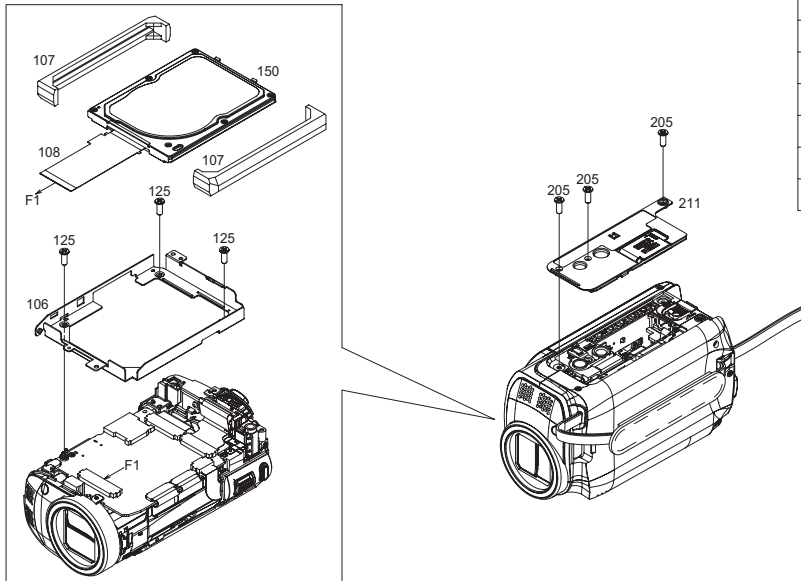
### 1. EXPLODED VIEW

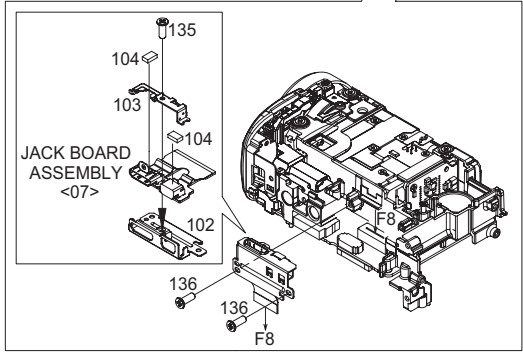
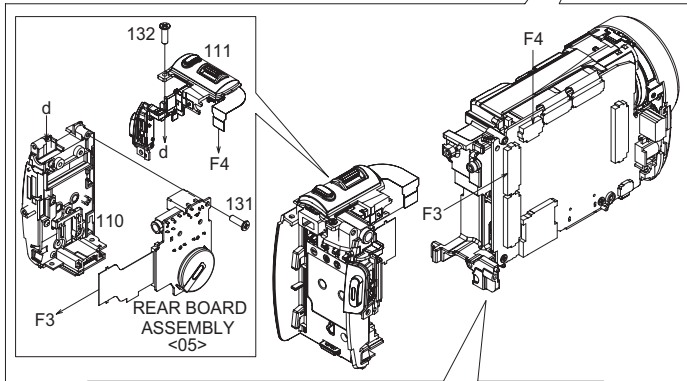
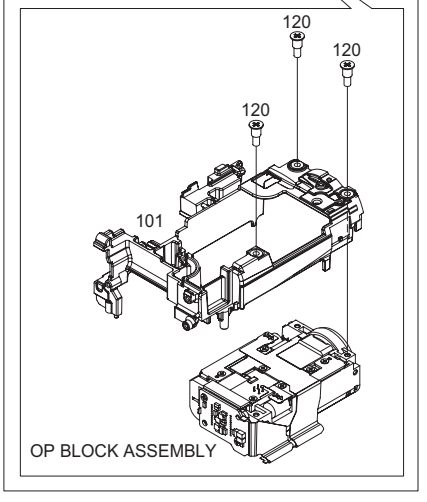
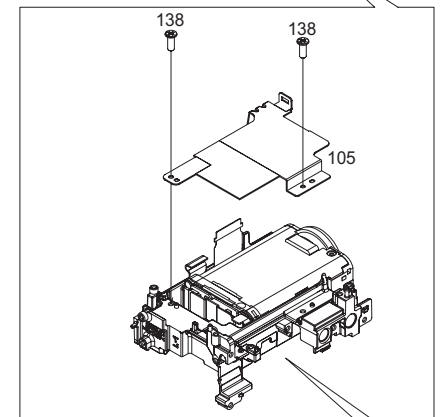
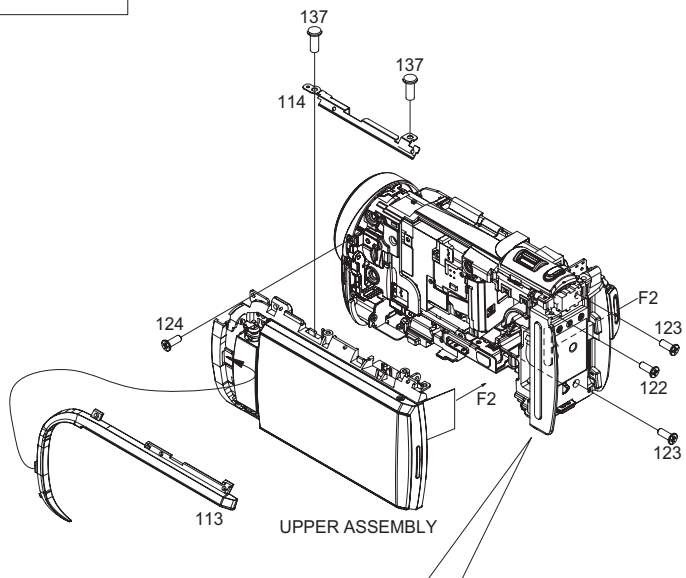
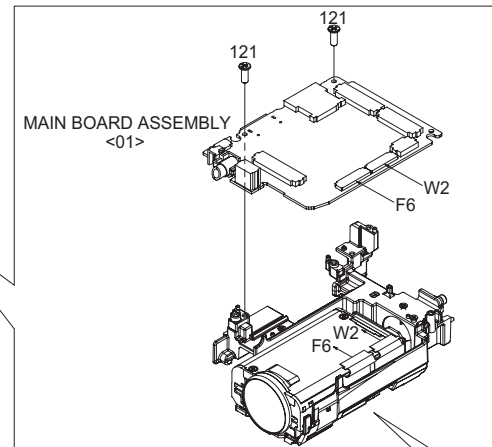
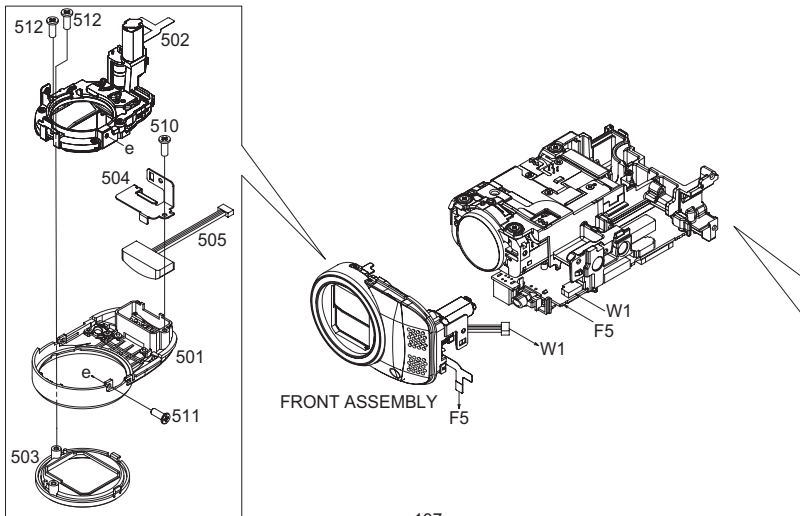
#### 1.1 FINAL ASSEMBLY <M1>

The instruction manual to be provided with this product will differ according to the destination.

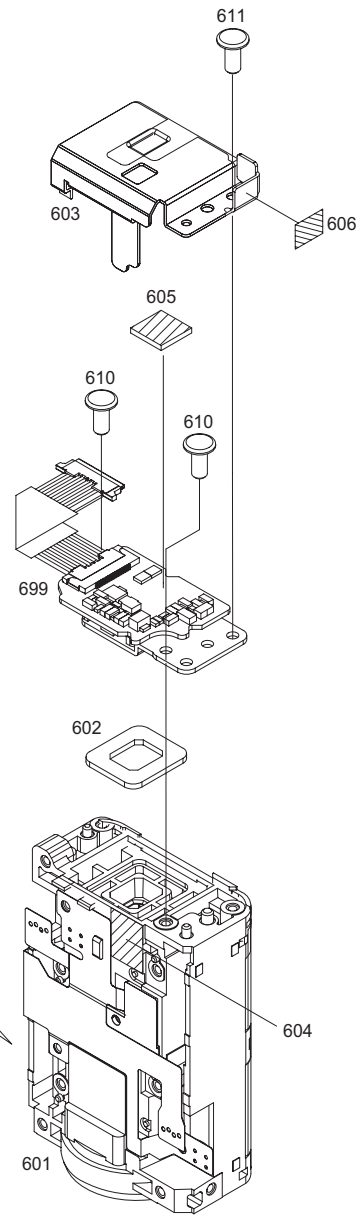
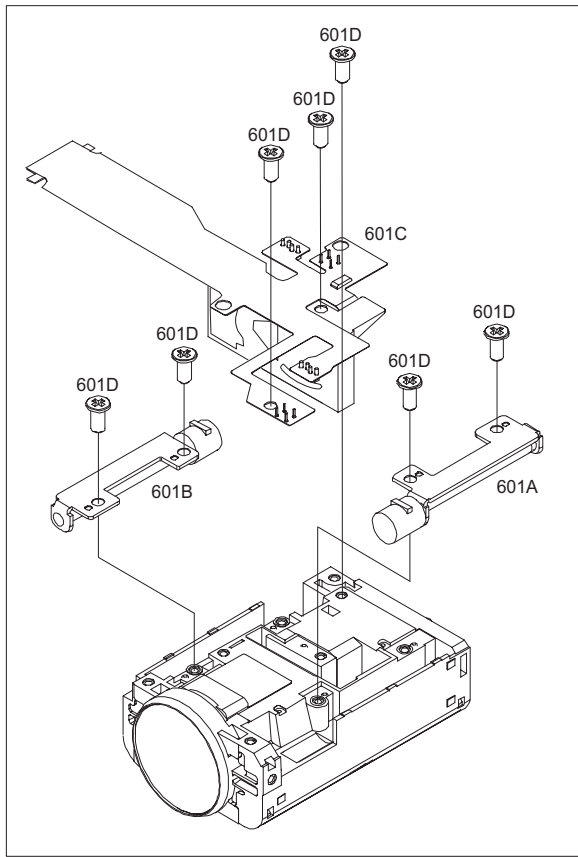


MODEL	MARK
GZ-HD300AEK	A
GZ-HD300AER	B
GZ-HD300AEU	C
GZ-HD300AEZ	D
GZ-HD300BEK	E
GZ-HD300BER	F
GZ-HD300BEU	G
GZ-HD300BEZ	H
GZ-HD300REK	J
GZ-HD300RER	K
GZ-HD300REU	L
GZ-HD300REZ	M
GZ-HD320BEK	N
GZ-HD320BER	P
GZ-HD320BEU	Q
GZ-HD320BEZ	R

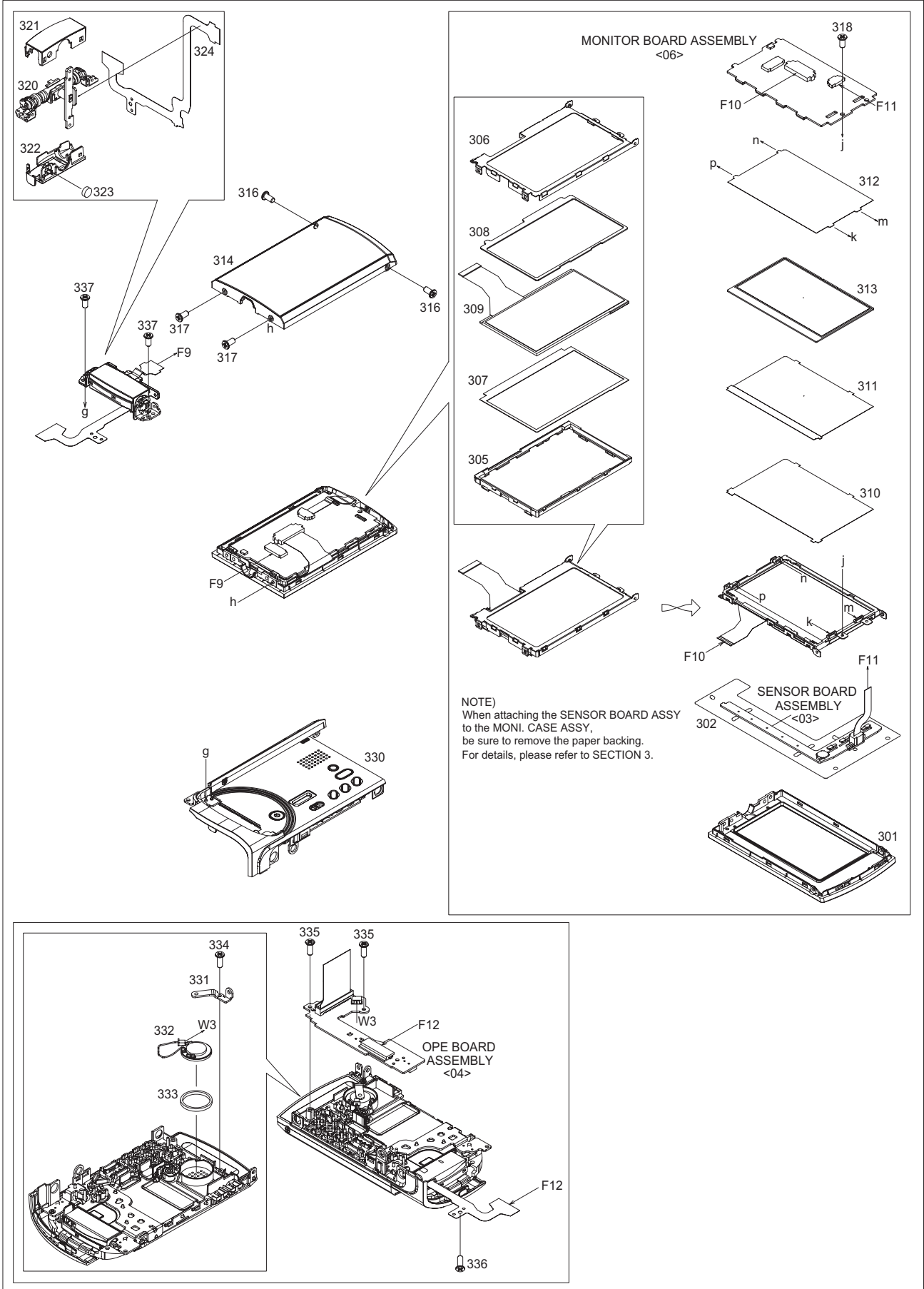




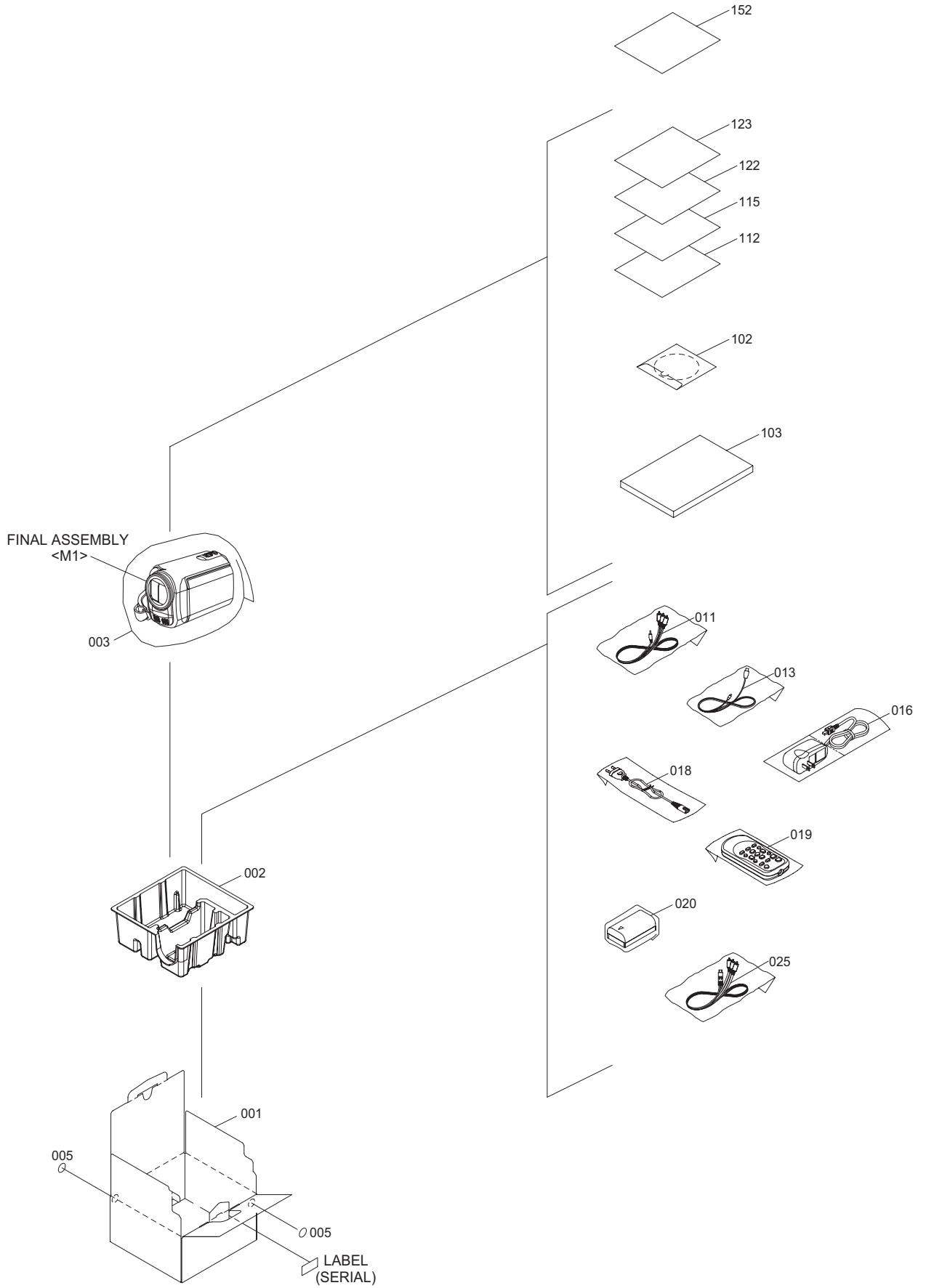
OP BLOCK ASSEMBLY



UPPER ASSEMBLY



# 1.2PACKING AND ACCESSORY ASSEMBLY <M5>



MODEL	MARK	MODEL	MARK	MODEL	MARK	MODEL	MARK	MODEL	MARK	MODEL	MARK
GZ-HD300AEK	A	GZ-HD300AEZ	D	GZ-HD300BEU	G	GZ-HD300RER	K	GZ-HD320BEK	N	GZ-HD320BEZ	R
GZ-HD300AER	B	GZ-HD300BEK	E	GZ-HD300BEZ	H	GZ-HD300REU	L	GZ-HD320BER	P		
GZ-HD300AEU	C	GZ-HD300BER	F	GZ-HD300REK	J	GZ-HD300REZ	M	GZ-HD320BEU	Q		

## 2. PARTS LIST

### FINAL ASSEMBLY <M1>

Symbol No.	Part No.	Part Name	Description	Local
101	LY36913-002A	FRAME ASSY		
102	LY36910-001A	PLATE(HDMI)		
103	LY36911-001A	BKT(HDMI)		
104	LY45291-051A	GASKET	(x2)	
105	LY37035-001A	FRM(PLATE)ASSY		
106	LY37015-001C	HDD CASE ASSY		
107	LY37032-001A	RUBBER SPACER	(x2)	
108	QAL0906-003	FPC		
109	LY22003-003D	TOP COVER		A,B,C,D
109	LY22003-001D	TOP COVER		EF,GH,N,P,Q,R
109	LY22003-004D	TOP COVER		J,K,L,M
110	LY21938-001C	REAR COVER ASSY		
111	LY21940-007C	ZOOM UNIT		A,B,C,D
111	LY21940-005C	ZOOM UNIT		EF,GH,N,P,Q,R
111	LY21940-008C	ZOOM UNIT		J,K,L,M
112	LY36761-003C	COVER(HINGE)ASY		A,B,C,D
112	LY36761-001B	COVER(HINGE)ASY		EF,GH,N,P,Q,R
112	LY36761-004C	COVER(HINGE)ASY		J,K,L,M
113	LY21998-002C	ORNAMENT(TOP)		A,B,C,D,J,K,L,M
113	LY21998-001C	ORNAMENT(TOP)		EF,GH,N,P,Q,R
114	LY36915-001A	BKT(O.TOP)		
120	LY30032-021A	SPECIAL SCREW	OP-FRAME(x3)	
121	LY30031-0D5A	SPECIAL SCREW	MAIN.P-FRM(x2)	
122	LY30031-0D5A	SPECIAL SCREW	REAR-FRAM	
123	LY30031-0D5A	SPECIAL SCREW	REAR-FRAM(x2)	
124	LY30031-0D4A	SPECIAL SCREW	UPPER-FRAM	
125	LY30031-0D5A	SPECIAL SCREW	HDDCS-FRAM(x3)	
126	LY30031-0D5A	SPECIAL SCREW	HDDCV-FRAM(x2)	
127	LY30031-0L8B	SPECIAL SCREW	TOP-REAR(x2)	
128	LY30031-0D5A	SPECIAL SCREW	UPPER-FRAM	
129	LY30031-0D5A	SPECIAL SCREW	HDDCV-HDDC(x2)	
130	LY30031-0L8B	SPECIAL SCREW	HDDCV-REAR	
131	LY30031-0L8B	SPECIAL SCREW	ZOOM-BATTP	
132	LY30031-0L8B	SPECIAL SCREW	ZOOM-REAR	
133	LY30031-0D5A	SPECIAL SCREW	TOP-BAR	
134	LY30031-0D4A	SPECIAL SCREW	CV.HI-HING(x2)	
135	LY30031-0D5A	SPECIAL SCREW	BKTHDM-PLT	
136	LY30031-0D5A	SPECIAL SCREW	HDMIP-FRAM(x2)	
137	LY30031-0L8B	SPECIAL SCREW	UPPER-BKT(x2)	
138	LY30031-0D5A	SPECIAL SCREW	FRMPLT-FRM(x2)	
140	LY36996-003F	HDD COVER ASSY		A,B,C,D
140	LY36996-001F	HDD COVER ASSY		EF,GH,N,P,Q,R
140	LY36996-004F	HDD COVER ASSY		J,K,L,M
141	LY21941-001C	GRIP BELT ASSY		
142	LY36629-001B	HOLDER(G.B)		
143	LY36630-001A	SHAFT(G.B)		
144	LY30031-0L8B	SPECIAL SCREW	HLDGB-HDDC	
145	LY30031-0L8B	SPECIAL SCREW	GRPADJ-HDD	
150	QAL1139-003	HDD	60GB	A,B,C,D,E,F,G,H,I,J,K,L,M
150	QAL1161-003	HDD	120GB	N,P,Q,R
201	LY36631-001A	JACK COVER(USB)		
202	LY36632-001C	JACK COVER(DC)		
203	LY36633-001C	JACK COVER(AV)		
205	LY30031-0D5A	SPECIAL SCREW	BTMCV-FRAM(x3)	
211	LY21972-001E	B.COVER(N)ASSY		
301	LY36637-001D	MONI.CASE ASSY		
302	LY36638-001B	D FACE TAPE		
305	LY21965-001A	LCD CASE		
306	LY21945-001B	LCD BKT		
307	LY36124-001A	SHEET (COVER)	(x2)	
308	LY36702-001A	SPACER (LCD)		
309	QLD0538-001	LCD MODULE		
310	LY36703-001A	SHEET (BEF)		
311	LY35480-001A	SHEET(M/DIFF)		
312	LY35481-001A	SHEET(M.REF)		
313	LY36668-001A	LIGHT GUIDE		
314	LY36916-007C	MONI.COVER ASSY		A,B,C,D
314	LY36916-005B	MONI.COVER ASSY		EF,GH,N,P,Q,R
314	LY36916-008C	MONI.COVER ASSY		J,K,L,M
316	LY30031-079A	SPECIAL SCREW	M.C-LCDBKT(x2)	
317	LY30031-079A	SPECIAL SCREW	M.CO-HINGE(x2)	
318	LY30031-0D4A	SPECIAL SCREW	M.PWB-LCDB	
320	LY36640-001C	HINGE UNIT		

Symbol No.	Part No.	Part Name	Description	Local
321	LY21994-003A	HINGE COVER(U)		A,B,C,D
321	LY21994-001A	HINGE COVER(U)		EF,GH,N,P,Q,R
321	LY21994-004A	HINGE COVER(U)		J,K,L,M
322	LY21952-001C	HINGE COVER(L)		
323	LY45427-001A	P.C.MAGNET		
324	QAL1149-001	FPC		
330	LY21995-003E	U.CASE ASSY		A,B,C,D
330	LY21995-001E	U.CASE ASSY		EF,GH,N,P,Q,R
330	LY21995-004E	U.CASE ASSY		J,K,L,M
331	LY36645-001B	BKT(SPEAKER)		
332	QAS0543-001	SPEAKER		
333	LY45709-001B	SPACER(SPK)		
334	LY30031-0L8B	SPECIAL SCREW	SPK BKT-UP	
335	LY30031-0L8B	SPECIAL SCREW	OPE PWB-UP(x2)	
336	LY30031-0K7A	SPECIAL SCREW	FPC-UPPER	
337	LY30031-0K7A	SPECIAL SCREW	HIN-BKT(UP)(x2)	
501	LY36649-001C	F.COVER ASSY		
502	LY21958-001P	BARRIER UNIT		
503	LY36659-003C	HOOD(SCREW)		
504	LY36660-001A	PLATE(MIC)		
505	LY36139-001A	MIC		
510	LY30031-0L8B	SPECIAL SCREW	PLMIC-CVMI	
511	LY30031-0D4A	SPECIAL SCREW	BARU-FRCV	
512	LY30031-0L8B	SPECIAL SCREW	HDSCR-BARU(x2)	
601	LY36922-001A	OP BLOCK		
601A	PTY36134-101	MOTOR UNIT	FOCUS	
601B	PTY36134-101	MOTOR UNIT	ZOOM	
601C	PTY36922-106	AUTO IRIS UNIT		
601D	PTY36134-530	SCREW	(x7)	
602	LY45766-001A	SHEET		
603	LY36776-001A	SHIELD(CMOS)		
604	LY45801-001A	HEAT SHEET		
605	LY45801-002A	HEAT SHEET		
606	LY45291-050A	GASKET		
610	QYSPSGU1740ZA	TAP SCREW	M1.7 x 4mm(x2)	
611	QYSPSGU1745MA	TAP SCREW	M1.7 x 4.5mm	
699	JVP5-101	CMOS FRM ASSY		

### PACKING AND ACCESSORY ASSEMBLY <M5>

Symbol No.	Part No.	Part Name	Description	Local
001	LY36957-009A	PACKING CASE		A,B,C,D,E,F,G,H,I,J,K,L,M
001	LY36957-008A	PACKING CASE		N,P,Q,R
002	LY21961-001C	CUSHION		
003	LY30023-054A	POLY BAG		
005	LY36917-002B	LABEL(COLOR)	(x2)	A,B,C,D
005	LY36917-004A	LABEL(COLOR)	(x2)	E,F,G,H
005	LY36917-003B	LABEL(COLOR)	(x2)	J,K,L,M
011	QAM0510-001	A/V CABLE		
013	QAM1112-001	USB CABLE		
016	QAL1153-001	AC P ADAPTOR	AP-V20M	A,E,J,N
016	QAL1152-001	AC P ADAPTOR	AP-V20E	B,C,D,E,F,G,H,I,J,K,L,M,P,Q,R
018	QMPP340-190-JC	POWER CORD	1.9m BLACK	A,E,J,N
019	LY21805-002A	REMOTE CTL UNIT	RM-V751US	
020	LY35320-002D	BATTERY PACK	BN-VF808U	
025	QAM1179-001	D CABLE	RCA	
102	LY35273-057A-S	CD ROM ASSY		
103	LYT2060-001B-M	INST BOOK	(ENGLISH)	A,E,J,N
103	LYT2059-001B-M	INST BOOK	(RUSSIAN/UKRAINIAN)	B,G,K,P
103	LYT2057-001B-M	INST BOOK	(GERMAN/DUTCH)	C,F,L,Q
103	LYT2057-002B-M	INST BOOK	(FRENCH/ITALIAN)	C,G,L,Q
103	LYT2057-003B-M	INST BOOK	(SPANISH/PORTUGUESE)	C,G,L,Q
103	LYT2058-001B-M	INST BOOK	(DANISH/FINN)	D,H,M,R
103	LYT2058-002B-M	INST BOOK	(SWEDISH/NORWEGIAN)	D,H,M,R
103	LYT2058-003B-M	INST BOOK	(HUNGARIAN/CZECH)	D,H,M,R
103	LYT2058-004B-M	INST BOOK	(POLISH)	D,H,M,R
112	YU30878	REGISTRATION CARD		A,E,J,N
115	LYT0194-001B	Q.CARD		A,E,J,N
122	LY36961-002A	SHEET(ACC GUID)		
123	LY35208-001A	SHEET(E-SHOP)		A,E,J,N
152	-----	WARRANTY CARD	BT-54038-2CAM	

MODEL	MARK	MODEL	MARK	MODEL	MARK	MODEL	MARK	MODEL	MARK	MODEL	MARK
GZ-HD300AEK	A	GZ-HD300AEZ	D	GZ-HD300BEU	G	GZ-HD300RER	K	GZ-HD320BEK	N	GZ-HD320BEZ	R
GZ-HD300AER	B	GZ-HD300BEK	E	GZ-HD300BEZ	H	GZ-HD300REU	L	GZ-HD320BER	P		
GZ-HD300AEU	C	GZ-HD300BER	F	GZ-HD300REK	J	GZ-HD300REZ	M	GZ-HD320BEU	Q		

### MAIN BOARD ASSEMBLY <01>

△ Symbol No. Part No. Part Name Description Local

△ Symbol No. Part No. Part Name Description Local

PW1	LYA10165-02C	MAIN BOARD ASSY		
IC82	NAL0068-001X	SHOCK SENSOR		
IC1001	MN103SD0QGF	IC(MICRO C ROM)		
IC1001	or MN103SFD0RGF	IC(MICRO C ROM)		
IC1002	NJU7108F3-X	IC		
IC1005	LE25LB1282TT-X	IC		
IC1006	S-35190A-G-X	IC		
IC1007	IC-PST8223U-W	IC		
IC1007	or S-80823CNNB-G-W	IC		
IC1009	R5G05001N302N-X	IC(MICRO C ROM)		
IC1009	or YCBCJVSNS8031-X	IC(MICRO C ROM)		
IC2201	AK4669EN-W	IC		
IC3001	JCY0243	IC		
IC3002	S-1112B31MC-W	IC		
IC3010	TPS2051BDBV-X	IC		
IC3101	HY5MS7B2BLFP6E	IC		
IC3102	HY5MS7B2BLFP6E	IC		
IC3201	SG64N90BF1030H0	IC(MICRO C ROM)		
IC3201	or SG64N90BF1030H3	IC(MICRO C ROM)		
IC3201	or SG64N90BF1030H2	IC(MICRO C ROM)		
IC3721	LY36351-001A	CSP IC ASSY	SERVICE	
IC4501	JCY0245	IC		
IC4502	H55S1222EFP-60M	IC		
IC4507	S-1112B31MC-W	IC		
IC4508	NJM2872BF05-X	IC		
IC4901	AN41905A-X	IC		
IC4904	GP1UF311Y-X	IR DETECT UNIT		
IC4905	NJM2143R-X	IC		
IC5701	LV8075LP-W	IC		
IC6001	FA7736AF	IC		
IC6002	MAX8792ETD-X	IC		
IC6003	NJM2872BF05-X	IC		
IC6004	S-1112B28MC-W	IC		
IC6005	S-1112B18MC-W	IC		
IC6006	R1172N271D-X	IC		

Q421	UMZ1N-W	PAIR TRANSISTOR		
Q421	or XP4601-W	TRANSISTOR		
Q421	or PUMZ1-W	PAIR TRANSISTOR		
Q422	DTC143XE-X	DIGI TRANSISTOR		
Q422	or RT1N432U-X	DIGI TRANSISTOR		
Q422	or UN921FJ-X	DIGI TRANSISTOR		
Q422	or SRC1219EF-X	DIGI TRANSISTOR		
Q422	or KRC419E-X	DIGI TRANSISTOR		
Q651	2SC4617/QR/-X	TRANSISTOR		
Q651	or 2SC5383/E/-X	TRANSISTOR		
Q651	or 2SD2216J/QR/-X	TRANSISTOR		
Q651	or 2SC4617/RS/-X	TRANSISTOR		
Q651	or 2SC5383/F/-X	TRANSISTOR		
Q651	or 2SD2216J/RS/-X	TRANSISTOR		
Q1002	DTC143XE-X	DIGI TRANSISTOR		
Q1002	or UN921FJ-X	DIGI TRANSISTOR		
Q1002	or RT1N432U-X	DIGI TRANSISTOR		
Q1002	or SRC1219EF-X	DIGI TRANSISTOR		
Q1002	or KRC419E-X	DIGI TRANSISTOR		
Q1007	DTC143XE-X	DIGI TRANSISTOR		
Q1007	or UN921FJ-X	DIGI TRANSISTOR		
Q1007	or RT1N432U-X	DIGI TRANSISTOR		
Q1007	or SRC1219EF-X	DIGI TRANSISTOR		
Q1007	or KRC419E-X	DIGI TRANSISTOR		
Q2401	2SC4617/RS/-X	TRANSISTOR		
Q2401	or 2SC5383/F/-X	TRANSISTOR		
Q2402	2SC4617/RS/-X	TRANSISTOR		
Q2402	or 2SC5383/F/-X	TRANSISTOR		
Q2701	UMX18N-W	PAIR TRANSISTOR		
Q2702	DTA143ZE-X	DIGI TRANSISTOR		
Q3001	DTC144EE-X	DIGI TRANSISTOR		
Q3001	or RT1N441U-X	DIGI TRANSISTOR		
Q3001	or KRC404E-P-X	DIGI TRANSISTOR		
Q3001	or UN9213J-X	DIGI TRANSISTOR		
Q3001	or PDTC144EE-X	DIGI TRANSISTOR		
Q3002	3LN01SS-X	MOS FET		
Q3003	DTA144EE-X	DIGI TRANSISTOR		
Q3003	or KRA304E-X	DIGI TRANSISTOR		
Q3003	or PDTA144EE-X	DIGI TRANSISTOR		

Q3003	or UN9113J-X	DIGI TRANSISTOR		
Q3751	XP4312-W	DIGI TRANSISTOR		
Q4502	UMT1N-W	PAIR TRANSISTOR		
Q4502	or XP4401-W	TRANSISTOR		
Q4502	or KTA701U/G/-X	PAIR TRANSISTOR		
Q4502	or PUMT1-W	PAIR TRANSISTOR		
Q4502	or BC856S-X	PAIR TRANSISTOR		
Q6001	SP8J5-X	MOS FET		
Q6201	RSR025P03-X	MOS FET		
Q6202	RSR025N03-X	MOS FET		
Q6504	2SA1577/QR/-X	TRANSISTOR		
Q6505	UMX1N-W	PAIR TRANSISTOR		
Q6505	or KTC801U/G/-X	PAIR TRANSISTOR		
Q6505	or RT3CLLM/EF/-X	TRANSISTOR		
Q6505	or XP4501-W	TRANSISTOR		
Q6505	or PUMX1-W	PAIR TRANSISTOR		
Q6701	RSR025P03-X	MOS FET		
Q6702	RSR025P03-X	MOS FET		
Q6703	RSR025P03-X	MOS FET		
Q6801	RSR025N03-X	MOS FET		
Q6802	RSR025N03-X	MOS FET		
Q7802	UMX1N-W	PAIR TRANSISTOR		
Q7802	or KTC801U/G/-X	PAIR TRANSISTOR		
Q7802	or RT3CLLM/EF/-X	TRANSISTOR		
Q7802	or XP4501-W	TRANSISTOR		
Q7802	or PUMX1-W	PAIR TRANSISTOR		
Q7803	UMX1N-W	PAIR TRANSISTOR		
Q7803	or KTC801U/G/-X	PAIR TRANSISTOR		
Q7803	or RT3CLLM/EF/-X	TRANSISTOR		
Q7803	or XP4501-W	TRANSISTOR		
Q7803	or PUMX1-W	PAIR TRANSISTOR		
Q7804	UMX1N-W	PAIR TRANSISTOR		
Q7804	or KTC801U/G/-X	PAIR TRANSISTOR		
Q7804	or RT3CLLM/EF/-X	TRANSISTOR		
Q7804	or XP4501-W	TRANSISTOR		
Q7804	or PUMX1-W	PAIR TRANSISTOR		

D181	EMZ6.8N-X	Z DIODE		
△ D191	MA111-X	SI DIODE		
△ D191	or SDS511-X	SI DIODE		
△ D191	or 1SS355-X	SI DIODE		
△ D191	or 1SS352-X	SI DIODE		
D421	NSPW300DS/COVW/	LED		
D4501	RB751V-40-X	SB DIODE		
D6101	MA22D23-X	SB DIODE		
D6201	MA22D23-X	SB DIODE		
D6301	MA22D23-X	SB DIODE		
D6401	MA22D23-X	SB DIODE		
D6501	RB481K-X	SB DIODE		
D6502	RB481K-X	SB DIODE		
D6701	MA22D23-X	SB DIODE		
D6702	MA22D23-X	SB DIODE		
D6801	MA22D28-X	SB DIODE		
D6901	RB551V-30-X	SB DIODE		

C82	NCBA1AK-104W	C CAPACITOR	0.1uF 10V K	
C112	NCBA1CK-103W	C CAPACITOR	0.01uF 16V K	
C141	NCB20JM-475X	C CAPACITOR	4.7uF 6.3V M	
C142	NCBA1AK-104W	C CAPACITOR	0.1uF 10V K	
C601	NCB31EK-104X	C CAPACITOR	0.1uF 25V K	
C1009	NCBA1AK-104W	C CAPACITOR	0.1uF 10V K	
C1011	NCBA1CK-103W	C CAPACITOR	0.01uF 16V K	
C1013	NCB30JK-105X	C CAPACITOR	1uF 6.3V K	
C1015	NCBA1AK-104W	C CAPACITOR	0.1uF 10V K	
C1016	NCB30JK-105X	C CAPACITOR	1uF 6.3V K	
C1030	NCBA1AK-104W	C CAPACITOR	0.1uF 10V K	
C1031	NCBA1CK-103W	C CAPACITOR	0.01uF 16V K	
C1032	NCBA1AK-104W	C CAPACITOR	0.1uF 10V K	
C1033	NCBA1AK-104W	C CAPACITOR	0.1uF 10V K	
C1035	NCBA1AK-104W	C CAPACITOR	0.1uF 10V K	
C1036	NCBA1AK-104W	C CAPACITOR	0.1uF 10V K	
C1037	NCBA1AK-104W	C CAPACITOR	0.1uF 10V K	
C1038	NCBA1AK-104W	C CAPACITOR	0.1uF 10V K	
C1039	NCBA1AK-104W	C CAPACITOR	0.1uF 10V K	
C1040	NCBA1AK-104W	C CAPACITOR	0.1uF 10V K	
C1061	NCBA1AK-104W	C CAPACITOR	0.1uF 10V K	
C1064	NCBA1AK-104W	C CAPACITOR	0.1uF 10V K	
C1065	NCBA1AK-104W	C CAPACITOR	0.1uF 10V K	

MODEL	MARK	MODEL	MARK	MODEL	MARK	MODEL	MARK	MODEL	MARK	MODEL	MARK
GZ-HD300AEK	A	GZ-HD300AEZ	D	GZ-HD300BEU	G	GZ-HD300RER	K	GZ-HD320BEK	N	GZ-HD320BEZ	R
GZ-HD300AER	B	GZ-HD300BEK	E	GZ-HD300BEZ	H	GZ-HD300REU	L	GZ-HD320BER	P		
GZ-HD300AEU	C	GZ-HD300BER	F	GZ-HD300REK	J	GZ-HD300REZ	M	GZ-HD320BEU	Q		

△ Symbol No.	Part No.	Part Name	Description	Local	△ Symbol No.	Part No.	Part Name	Description	Local
C1076	NCBA1AK-104W	C CAPACITOR	0.1uF 10V K		C4520	NCB30JK-105X	C CAPACITOR	1uF 6.3V K	
C2201	NCB31CK-105X	C CAPACITOR	1uF 16V K		C4522	NCBA1AK-104W	C CAPACITOR	0.1uF 10V K	
C2203	NCB31CK-105X	C CAPACITOR	1uF 16V K		C4524	NCB30JK-105X	C CAPACITOR	1uF 6.3V K	
C2205	NCB31CK-105X	C CAPACITOR	1uF 16V K		C4525	NCB30JK-105X	C CAPACITOR	1uF 6.3V K	
C2206	NCBA1CK-104W	C CAPACITOR	0.1uF 16V K		C4526	NCB30JK-105X	C CAPACITOR	1uF 6.3V K	
C2208	NCB31CK-105X	C CAPACITOR	1uF 16V K		C4527	NCBA1CK-103W	C CAPACITOR	0.01uF 16V K	
C2209	NCBA1EK-682W	C CAPACITOR	6800pF 25V K		C4529	NCB20JK-475X	C CAPACITOR	4.7uF 6.3V K	
C2210	NCBA1CK-153W	C CAPACITOR	0.015uF 16V K		C4533	NCBA1AK-104W	C CAPACITOR	0.1uF 10V K	
C2401	NCB20JK-106X	C CAPACITOR	10uF 6.3V K		C4535	NCBA1AK-104W	C CAPACITOR	0.1uF 10V K	
C2402	NCB20JK-106X	C CAPACITOR	10uF 6.3V K		C4538	NCBA1AK-104W	C CAPACITOR	0.1uF 10V K	
C2403	NCB20JK-106X	C CAPACITOR	10uF 6.3V K		C4539	NCB20JK-475X	C CAPACITOR	4.7uF 6.3V K	
C2404	NCB20JK-106X	C CAPACITOR	10uF 6.3V K		C4541	NCB20JK-475X	C CAPACITOR	4.7uF 6.3V K	
C2405	NCB20JK-106X	C CAPACITOR	10uF 6.3V K		C4542	NCBA1AK-104W	C CAPACITOR	0.1uF 10V K	
C2406	NCB20JK-106X	C CAPACITOR	10uF 6.3V K		C4544	NCBA1AK-104W	C CAPACITOR	0.1uF 10V K	
C2407	NCBA1CK-104W	C CAPACITOR	0.1uF 16V K		C4546	NCBA1AK-104W	C CAPACITOR	0.1uF 10V K	
C2603	NCBA1AK-683W	C CAPACITOR	0.068uF 10V K		C4547	NCB30JK-105X	C CAPACITOR	1uF 6.3V K	
C2604	NCBA1AK-683W	C CAPACITOR	0.068uF 10V K		C4548	NCB30JK-105X	C CAPACITOR	1uF 6.3V K	
C2605	NCBA1CK-223W	C CAPACITOR	0.022uF 16V K		C4549	NCB30JK-105X	C CAPACITOR	1uF 6.3V K	
C2606	NCBA1CK-223W	C CAPACITOR	0.022uF 16V K		C4554	NCB20JK-475X	C CAPACITOR	4.7uF 6.3V K	
C2607	NCB30JK-105X	C CAPACITOR	1uF 6.3V K		C4555	NCB20JK-475X	C CAPACITOR	4.7uF 6.3V K	
C2608	NCB30JK-105X	C CAPACITOR	1uF 6.3V K		C4558	NCB20JK-475X	C CAPACITOR	4.7uF 6.3V K	
C2609	NCB31CK-105X	C CAPACITOR	1uF 16V K		C4560	NCBA1AK-104W	C CAPACITOR	0.1uF 10V K	
C2651	NCBA1CK-103W	C CAPACITOR	0.01uF 16V K		C4561	NCB30JK-105X	C CAPACITOR	1uF 6.3V K	
C2652	NCBA1CK-103W	C CAPACITOR	0.01uF 16V K		C4562	NCBA1CK-103W	C CAPACITOR	0.01uF 16V K	
C3002	NCB20JK-475X	C CAPACITOR	4.7uF 6.3V K		C4563	NCB30JK-105X	C CAPACITOR	1uF 6.3V K	
C3003	NCBA1CK-103W	C CAPACITOR	0.01uF 16V K		C4565	NCB30JK-105X	C CAPACITOR	1uF 6.3V K	
C3005	NCB30JK-105X	C CAPACITOR	1uF 6.3V K		C4566	NCB20JK-475X	C CAPACITOR	4.7uF 6.3V K	
C3006	NCB20JK-475X	C CAPACITOR	4.7uF 6.3V K		C4567	NCB20JK-475X	C CAPACITOR	4.7uF 6.3V K	
C3007	NCB30JK-105X	C CAPACITOR	1uF 6.3V K		C4569	NCB31EK-104X	C CAPACITOR	0.1uF 25V K	
C3012	NCBA1AK-104W	C CAPACITOR	0.1uF 10V K		C4570	NCB30JK-105X	C CAPACITOR	1uF 6.3V K	
C3019	NCBA1AK-104W	C CAPACITOR	0.1uF 10V K		C4571	NCBA1AK-104W	C CAPACITOR	0.1uF 10V K	
C3024	NCB20JK-475X	C CAPACITOR	4.7uF 6.3V K		C4575	NCB30JK-105X	C CAPACITOR	1uF 6.3V K	
C3027	NCBA1CK-103W	C CAPACITOR	0.01uF 16V K		C4576	NCB30JK-105X	C CAPACITOR	1uF 6.3V K	
C3029	NCBA1AK-104W	C CAPACITOR	0.1uF 10V K		C4901	NCB20JK-106X	C CAPACITOR	10uF 6.3V K	
C3031	NBE41AM-476X	TA E CAPACITOR	47uF 10V M		C4902	NCB20JK-106X	C CAPACITOR	10uF 6.3V K	
C3032	NCBA1AK-104W	C CAPACITOR	0.1uF 10V K		C4903	NCBA1AK-104W	C CAPACITOR	0.1uF 10V K	
C3034	NCBA1AK-104W	C CAPACITOR	0.1uF 10V K		C4904	NCBA1AK-104W	C CAPACITOR	0.1uF 10V K	
C3038	NCBA1AK-104W	C CAPACITOR	0.1uF 10V K		C4905	NCBA1AK-104W	C CAPACITOR	0.1uF 10V K	
C3041	NCBA1AK-104W	C CAPACITOR	0.1uF 10V K		C4906	NCBA1CK-103W	C CAPACITOR	0.01uF 16V K	
C3056	NCBA1AK-104W	C CAPACITOR	0.1uF 10V K		C4907	NDCA1HJ-101W	C CAPACITOR	100pF 50V J	
C3101	NCBA1AK-104W	C CAPACITOR	0.1uF 10V K		C4908	NCBA1AK-104W	C CAPACITOR	0.1uF 10V K	
C3102	NCBA1CK-103W	C CAPACITOR	0.01uF 16V K		C4909	NCBA1AK-104W	C CAPACITOR	0.1uF 10V K	
C3103	NCBA1AK-104W	C CAPACITOR	0.1uF 10V K		C4910	NCBA1HK-102W	C CAPACITOR	1000pF 50V K	
C3104	NCBA1CK-103W	C CAPACITOR	0.01uF 16V K		C4916	NCB20JK-106X	C CAPACITOR	10uF 6.3V K	
C3105	NCBA1AK-104W	C CAPACITOR	0.1uF 10V K		C4921	NCB30JK-105X	C CAPACITOR	1uF 6.3V K	
C3106	NCBA1CK-103W	C CAPACITOR	0.01uF 16V K		C4922	NCBA1AK-104W	C CAPACITOR	0.1uF 10V K	
C3107	NCBA1AK-104W	C CAPACITOR	0.1uF 10V K		C5701	NCB20JK-106X	C CAPACITOR	10uF 6.3V K	
C3108	NCBA1CK-103W	C CAPACITOR	0.01uF 16V K		C6002	NCB21CK-105X	C CAPACITOR	1uF 16V K	
C3201	NCBA1AK-104W	C CAPACITOR	0.1uF 10V K		C6003	NCB21CK-105X	C CAPACITOR	1uF 16V K	
C3721	NCBA1AK-104W	C CAPACITOR	0.1uF 10V K		C6004	NCB31CK-105X	C CAPACITOR	1uF 16V K	
C3722	NCB30JK-105X	C CAPACITOR	1uF 6.3V K		C6005	NCB31CK-105X	C CAPACITOR	1uF 16V K	
C3723	NCB30JK-105X	C CAPACITOR	1uF 6.3V K		C6006	NCB31EK-104X	C CAPACITOR	0.1uF 25V K	
C3724	NCBA1AK-104W	C CAPACITOR	0.1uF 10V K		C6008	NCB31EK-473X	C CAPACITOR	0.047uF 25V K	
C3725	NCB30JK-105X	C CAPACITOR	1uF 6.3V K		C6081	NCB20JK-106X	C CAPACITOR	10uF 6.3V K	
C3726	NCB30JK-105X	C CAPACITOR	1uF 6.3V K		C6101	NCBA1HK-221W	C CAPACITOR	220pF 50V K	
C3727	NCBA1AK-104W	C CAPACITOR	0.1uF 10V K		C6102	NCBA1HK-152W	C CAPACITOR	1500pF 50V K	
C3729	NBE20JM-106X	TA E CAPACITOR	10uF 6.3V M		C6103	NCB31CK-105X	C CAPACITOR	1uF 16V K	
C3730	NBE20JM-107X	TA E CAPACITOR	100uF 6.3V M		C6104	NCB20JK-106X	C CAPACITOR	10uF 6.3V K	
C3731	NCB11AK-106X	C CAPACITOR	10uF 10V K		C6201	NCBA1HK-221W	C CAPACITOR	220pF 50V K	
C3732	NBE20JM-107X	TA E CAPACITOR	100uF 6.3V M		C6202	NCBA1HK-152W	C CAPACITOR	1500pF 50V K	
C3733	NBE20JM-226X	TA E CAPACITOR	22uF 6.3V M		C6203	NCB31CK-105X	C CAPACITOR	1uF 16V K	
C3734	NCB11AK-106X	C CAPACITOR	10uF 10V K		C6204	NCB20JK-106X	C CAPACITOR	10uF 6.3V K	
C3735	NCBA1AK-104W	C CAPACITOR	0.1uF 10V K		C6301	NCBA1HK-221W	C CAPACITOR	220pF 50V K	
C3736	NBE20JM-107X	TA E CAPACITOR	100uF 6.3V M		C6302	NCBA1HK-152W	C CAPACITOR	1500pF 50V K	
C3737	NBE20JM-107X	TA E CAPACITOR	100uF 6.3V M		C6303	NCB31CK-105X	C CAPACITOR	1uF 16V K	
C3738	NCB11AK-106X	C CAPACITOR	10uF 10V K		C6304	NCB20JK-106X	C CAPACITOR	10uF 6.3V K	
C3740	NCB30JK-105X	C CAPACITOR	1uF 6.3V K		C6305	NCB21AK-475X	C CAPACITOR	4.7uF 10V K	
C3741	NCB30JK-105X	C CAPACITOR	1uF 6.3V K		C6306	NCB21AK-475X	C CAPACITOR	4.7uF 10V K	
C4502	NCBA1AK-104W	C CAPACITOR	0.1uF 10V K		C6401	NCBA1HK-221W	C CAPACITOR	220pF 50V K	
C4503	NCB20JK-475X	C CAPACITOR	4.7uF 6.3V K		C6402	NCBA1HK-102W	C CAPACITOR	1000pF 50V K	
C4505	NCB20JK-475X	C CAPACITOR	4.7uF 6.3V K		C6403	NCB31CK-105X	C CAPACITOR	1uF 16V K	
C4506	NCBA1AK-104W	C CAPACITOR	0.1uF 10V K		C6404	NCB20JK-106X	C CAPACITOR	10uF 6.3V K	
C4507	NCB20JK-475X	C CAPACITOR	4.7uF 6.3V K		C6501	NCBA1AK-473W	C CAPACITOR	0.047uF 10V K	
C4508	NCBA1AK-104W	C CAPACITOR	0.1uF 10V K		C6502	NCBA1AK-333W	C CAPACITOR	0.033uF 10V K	
C4511	NCBA1AK-104W	C CAPACITOR	0.1uF 10V K		C6503	NCB31CK-105X	C CAPACITOR	1uF 16V K	
C4515	NCBA1AK-104W	C CAPACITOR	0.1uF 10V K		C6504	NCB31CK-105X	C CAPACITOR	1uF 16V K	
C4518	NCBA1CK-103W	C CAPACITOR	0.01uF 16V K		C6505	NCB31CK-105X	C CAPACITOR	1uF 16V K	
C4519	NCB30JK-105X	C CAPACITOR	1uF 6.3V K		C6506	NCB21CK-105X	C CAPACITOR	1uF 16V K	



MODEL	MARK	MODEL	MARK	MODEL	MARK	MODEL	MARK	MODEL	MARK	MODEL	MARK
GZ-HD300AEK	A	GZ-HD300AEZ	E	GZ-HD300BEU	G	GZ-HD300RER	K	GZ-HD320BEK	N	GZ-HD320BEZ	R
GZ-HD300AER	B	GZ-HD300BEK	D	GZ-HD300BEZ	H	GZ-HD300REU	L	GZ-HD320BER	P		
GZ-HD300AEU	C	GZ-HD300BER	F	GZ-HD300REK	J	GZ-HD300REZ	M	GZ-HD320BEU	Q		

△ Symbol No.	Part No.	Part Name	Description	Local	△ Symbol No.	Part No.	Part Name	Description	Local
C6507	NCB21CK-105X	C CAPACITOR	1uF 16V K		R1038	NRSA6AJ-103W	MG RESISTOR	10kΩ 1/16W J	
C6510	NCB21CK-105X	C CAPACITOR	1uF 16V K		R1040	NRSA6AJ-273W	MG RESISTOR	27kΩ 1/16W J	
C6512	NCB31CK-105X	C CAPACITOR	1uF 16V K		R1042	NRSA6AJ-102W	MG RESISTOR	1kΩ 1/16W J	
C6701	NCBA1EK-472W	C CAPACITOR	4700pF 25V K		R1047	NRSA6AJ-101W	MG RESISTOR	100Ω 1/16W J	
C6702	NCBA1CK-103W	C CAPACITOR	0.01uF 16V K		R1048	NRSA6AJ-102W	MG RESISTOR	1kΩ 1/16W J	
C6704	NCB31CK-105X	C CAPACITOR	1uF 16V K		R1049	NRSA6AJ-102W	MG RESISTOR	1kΩ 1/16W J	
C6705	NCB11AK-106X	C CAPACITOR	10uF 10V K		R1051	NRSA6AJ-0R0W	MG RESISTOR	0Ω 1/16W J	
C6706	NCBA1HK-152W	C CAPACITOR	1500pF 50V K		R1052	NRSA6AJ-103W	MG RESISTOR	10kΩ 1/16W J	
C6707	NDCA1HJ-151W	C CAPACITOR	150pF 50V J		R1053	NRSA6AJ-104W	MG RESISTOR	100kΩ 1/16W J	
C6708	NCB10JK-106X	C CAPACITOR	10uF 6.3V K		R1054	NRSA6AJ-104W	MG RESISTOR	100kΩ 1/16W J	
C6801	NCB21CK-105X	C CAPACITOR	1uF 16V K		R1055	NRSA6AJ-104W	MG RESISTOR	100kΩ 1/16W J	
C6802	NCB11AK-106X	C CAPACITOR	10uF 10V K		R1056	NRSA6AJ-102W	MG RESISTOR	1kΩ 1/16W J	
C6804	NCBA1CK-104W	C CAPACITOR	0.1uF 16V K		R1058	NRSA6AJ-102W	MG RESISTOR	1kΩ 1/16W J	
C6805	NCB31CK-105X	C CAPACITOR	1uF 16V K		R1059	NRSA6AJ-103W	MG RESISTOR	10kΩ 1/16W J	
C6806	NCBA1HK-102W	C CAPACITOR	1000pF 50V K		R1060	NRSA6AJ-102W	MG RESISTOR	1kΩ 1/16W J	
C6807	NCB31CK-105X	C CAPACITOR	1uF 16V K		R1061	NRSA6AJ-821W	MG RESISTOR	820Ω 1/16W J	
C6808	NCB31CK-105X	C CAPACITOR	1uF 16V K		R1063	NRSA6AJ-103W	MG RESISTOR	10kΩ 1/16W J	
C6809	NCB31CK-105X	C CAPACITOR	1uF 16V K		R1069	NRSA6AJ-102W	MG RESISTOR	1kΩ 1/16W J	
C6810	NCBA1EK-472W	C CAPACITOR	4700pF 25V K		R1070	NRSA6AJ-823W	MG RESISTOR	82kΩ 1/16W J	
C6811	NCBA1HK-102W	C CAPACITOR	1000pF 50V K		R1071	NRSA6AJ-623W	MG RESISTOR	62kΩ 1/16W J	
C6813	NCBA1CK-104W	C CAPACITOR	0.1uF 16V K		R1073	NRSA6AJ-103W	MG RESISTOR	10kΩ 1/16W J	
C6901	NCBA1HK-102W	C CAPACITOR	1000pF 50V K		R1074	NRSA6AJ-104W	MG RESISTOR	100kΩ 1/16W J	
C6902	NCBA1HK-392W	C CAPACITOR	3900pF 50V K		R1075	NRSA6AJ-104W	MG RESISTOR	100kΩ 1/16W J	
C6903	NCB21CK-105X	C CAPACITOR	1uF 16V K		R1076	NRSA6AJ-101W	MG RESISTOR	100Ω 1/16W J	
C6904	NCB20JK-106X	C CAPACITOR	10uF 6.3V K		R1077	NRSA6AJ-101W	MG RESISTOR	100Ω 1/16W J	
C6905	NCB31CK-105X	C CAPACITOR	1uF 16V K		R1080	NRSA6AJ-102W	MG RESISTOR	1kΩ 1/16W J	
C6906	NCB31CK-105X	C CAPACITOR	1uF 16V K		R1082	NRSA6AJ-105W	MG RESISTOR	1MΩ 1/16W J	
C6907	NCB31CK-105X	C CAPACITOR	1uF 16V K		R1085	NRSA6AJ-102W	MG RESISTOR	1kΩ 1/16W J	
C6908	NCB31CK-105X	C CAPACITOR	1uF 16V K		R1086	NRSA6AJ-102W	MG RESISTOR	1kΩ 1/16W J	
C7801	NCB11CK-225X	C CAPACITOR	2.2uF 16V K		R1087	NRSA6AJ-102W	MG RESISTOR	1kΩ 1/16W J	
C7803	NCB31CK-105X	C CAPACITOR	1uF 16V K		R1088	NRSA6AJ-102W	MG RESISTOR	1kΩ 1/16W J	
					R1091	NRSA6AJ-102W	MG RESISTOR	1kΩ 1/16W J	
R82	NRSA6AJ-103W	MG RESISTOR	10kΩ 1/16W J		R1092	NRSA6AJ-473W	MG RESISTOR	47kΩ 1/16W J	
R120	NRSA6AD-680W	MG RESISTOR	68Ω 1/16W D		R1094	NRSA6AJ-101W	MG RESISTOR	100Ω 1/16W J	
R121	NRSA6AD-680W	MG RESISTOR	68Ω 1/16W D		R1095	NRSA6AJ-102W	MG RESISTOR	1kΩ 1/16W J	
R122	NRSA6AD-680W	MG RESISTOR	68Ω 1/16W D		R1096	NRSA6AJ-102W	MG RESISTOR	1kΩ 1/16W J	
R123	NRSA6AD-680W	MG RESISTOR	68Ω 1/16W D		R1098	NRSA6AJ-102W	MG RESISTOR	1kΩ 1/16W J	
R142	NRSA6AJ-221W	MG RESISTOR	220Ω 1/16W J		R1109	NRSA6AJ-102W	MG RESISTOR	1kΩ 1/16W J	
R143	NRSA6AJ-473W	MG RESISTOR	47kΩ 1/16W J		R1112	NRSA6AJ-101W	MG RESISTOR	100Ω 1/16W J	
R144	NRSA6AJ-473W	MG RESISTOR	47kΩ 1/16W J		R1113	NRSA6AJ-101W	MG RESISTOR	100Ω 1/16W J	
R145	NRSA6AJ-473W	MG RESISTOR	47kΩ 1/16W J		R1115	NRSA6AJ-102W	MG RESISTOR	1kΩ 1/16W J	
R146	NRSA6AJ-473W	MG RESISTOR	47kΩ 1/16W J		R1116	NRSA6AJ-101W	MG RESISTOR	100Ω 1/16W J	
R147	NRSA6AJ-103W	MG RESISTOR	10kΩ 1/16W J		R1117	NRSA6AJ-822W	MG RESISTOR	8.2kΩ 1/16W J	
R148	NRSA6AJ-680W	MG RESISTOR	68Ω 1/16W J		R1118	NRSA6AJ-101W	MG RESISTOR	100Ω 1/16W J	
R149	NRSA6AJ-680W	MG RESISTOR	68Ω 1/16W J		R1119	NRSA6AJ-104W	MG RESISTOR	100kΩ 1/16W J	
R150	NRSA6AJ-680W	MG RESISTOR	68Ω 1/16W J		R1121	NRSA6AJ-101W	MG RESISTOR	100Ω 1/16W J	
R151	NRSA6AJ-680W	MG RESISTOR	68Ω 1/16W J		R1131	NRSA6AJ-473W	MG RESISTOR	47kΩ 1/16W J	
R181	NRSA6AJ-682W	MG RESISTOR	6.8kΩ 1/16W J		R1159	NRSA6AJ-473W	MG RESISTOR	47kΩ 1/16W J	
R184	NRSA6AJ-104W	MG RESISTOR	100kΩ 1/16W J		R1160	NRSA6AJ-102W	MG RESISTOR	1kΩ 1/16W J	
R185	NRSA6AJ-104W	MG RESISTOR	100kΩ 1/16W J		R1161	NRSA6AJ-102W	MG RESISTOR	1kΩ 1/16W J	
△ R191	NRSA6AJ-102W	MG RESISTOR	1kΩ 1/16W J		R1163	NRSA6AJ-0R0W	MG RESISTOR	0Ω 1/16W J	
R421	NRSA6AJ-392W	MG RESISTOR	3.9kΩ 1/16W J		R1164	NRSA6AJ-0R0W	MG RESISTOR	0Ω 1/16W J	
R422	NRSA6AJ-183W	MG RESISTOR	18kΩ 1/16W J		R1174	NRSA6AJ-101W	MG RESISTOR	100Ω 1/16W J	
R423	NRSA6AJ-392W	MG RESISTOR	3.9kΩ 1/16W J		R1182	NRSA6AJ-102W	MG RESISTOR	1kΩ 1/16W J	
R424	NRSA6AJ-220W	MG RESISTOR	22Ω 1/16W J		R1201	NRSA6AJ-102W	MG RESISTOR	1kΩ 1/16W J	
R601	NRSA6AJ-0R0W	MG RESISTOR	0Ω 1/16W J		R1203	NRSA6AJ-102W	MG RESISTOR	1kΩ 1/16W J	
R651	NRSA63J-201X	MG RESISTOR	200Ω 1/16W J		R1218	NRSA6AJ-473W	MG RESISTOR	47kΩ 1/16W J	
R652	NRSA63J-201X	MG RESISTOR	200Ω 1/16W J		R1224	NRSA6AD-153W	MG RESISTOR	15kΩ 1/16W D	
R653	NRSA6AJ-222W	MG RESISTOR	2.2kΩ 1/16W J		R2205	NRSA6AJ-563W	MG RESISTOR	56kΩ 1/16W J	
R654	NRSA6AJ-104W	MG RESISTOR	100kΩ 1/16W J		R2206	NRSA6AJ-564W	MG RESISTOR	560kΩ 1/16W J	
R1001	NRSA6AJ-0R0W	MG RESISTOR	0Ω 1/16W J		R2209	NRSA6AJ-682W	MG RESISTOR	6.8kΩ 1/16W J	
R1002	NRSA6AJ-181W	MG RESISTOR	180Ω 1/16W J		R2210	NRSA6AJ-272W	MG RESISTOR	2.7kΩ 1/16W J	
R1005	NRSA6AJ-102W	MG RESISTOR	1kΩ 1/16W J		R2305	NRSA6AJ-100W	MG RESISTOR	10Ω 1/16W J	
R1008	NRSA6AJ-153W	MG RESISTOR	15kΩ 1/16W J		R2401	NRSA6AJ-472W	MG RESISTOR	4.7kΩ 1/16W J	
R1009	NRSA6AJ-153W	MG RESISTOR	15kΩ 1/16W J		R2403	NRSA6AJ-472W	MG RESISTOR	4.7kΩ 1/16W J	
R1012	NRSA6AJ-330W	MG RESISTOR	33Ω 1/16W J		R2404	NRSA6AJ-183W	MG RESISTOR	18kΩ 1/16W J	
R1013	NRSA6AJ-473W	MG RESISTOR	47kΩ 1/16W J		R2405	NRSA6AJ-100W	MG RESISTOR	10Ω 1/16W J	
R1015	NRSA6AJ-101W	MG RESISTOR	100Ω 1/16W J		R2601	NRSA6AJ-222W	MG RESISTOR	2.2kΩ 1/16W J	
R1017	NRSA6AJ-393W	MG RESISTOR	39kΩ 1/16W J		R2602	NRSA6AJ-222W	MG RESISTOR	2.2kΩ 1/16W J	
R1021	NRSA6AJ-223W	MG RESISTOR	22kΩ 1/16W J		R2603	NRSA6AJ-0R0W	MG RESISTOR	0Ω 1/16W J	
R1022	NRSA6AJ-223W	MG RESISTOR	22kΩ 1/16W J		R2604	NRSA6AJ-0R0W	MG RESISTOR	0Ω 1/16W J	
R1025	NRSA6AJ-393W	MG RESISTOR	39kΩ 1/16W J		R2701	NRSA6AJ-821W	MG RESISTOR	820Ω 1/16W J	
R1030	NRSA6AJ-473W	MG RESISTOR	47kΩ 1/16W J		R2702	NRSA6AJ-821W	MG RESISTOR	820Ω 1/16W J	
R1031	NRSA6AJ-102W	MG RESISTOR	1kΩ 1/16W J		R2703	NRSA6AJ-564W	MG RESISTOR	560kΩ 1/16W J	
R1032	NRSA6AJ-102W	MG RESISTOR	1kΩ 1/16W J		R2704	NRSA6AJ-564W	MG RESISTOR	560kΩ 1/16W J	
R1033	NRSA6AJ-104W	MG RESISTOR	100kΩ 1/16W J		R2705	NRSA6AJ-332W	MG RESISTOR	3.3kΩ 1/16W J	
R1035	NRSA6AJ-330W	MG RESISTOR	33Ω 1/16W J		R3004	NRSA6AJ-330W	MG RESISTOR	33Ω 1/16W J	
R1036	NRSA6AD-222W	MG RESISTOR	2.2kΩ 1/16W D		R3005	NRSA6AJ-330W	MG RESISTOR	33Ω 1/16W J	

MODEL	MARK	MODEL	MARK	MODEL	MARK	MODEL	MARK	MODEL	MARK	MODEL	MARK
GZ-HD300AEK	A	GZ-HD300AEZ	D	GZ-HD300BEU	G	GZ-HD300RER	K	GZ-HD320BEK	N	GZ-HD320BEZ	R
GZ-HD300AER	B	GZ-HD300BEK	E	GZ-HD300BEZ	H	GZ-HD300REU	L	GZ-HD320BER	P		
GZ-HD300AEU	C	GZ-HD300BER	F	GZ-HD300REK	J	GZ-HD300REZ	M	GZ-HD320BEU	Q		

△ Symbol No.	Part No.	Part Name	Description	Local	△ Symbol No.	Part No.	Part Name	Description	Local
R3010	NRSA6AJ-390W	MG RESISTOR	39Ω 1/16W J		R4560	NRSA6AD-222W	MG RESISTOR	2.2kΩ 1/16W D	
R3011	NRSA6AJ-390W	MG RESISTOR	39Ω 1/16W J		R4561	NRSA6AD-222W	MG RESISTOR	2.2kΩ 1/16W D	
R3012	NRSA6AJ-123W	MG RESISTOR	12kΩ 1/16W J		R4562	NRSA6AD-222W	MG RESISTOR	2.2kΩ 1/16W D	
R3014	NRSA6AJ-0R0W	MG RESISTOR	0Ω 1/16W J		R4563	NRSA6AD-474W	MG RESISTOR	470kΩ 1/16W D	
R3015	NRSA6AJ-221W	MG RESISTOR	220Ω 1/16W J		R4564	NRSA6AD-103W	MG RESISTOR	10kΩ 1/16W D	
R3019	NRSA6AJ-103W	MG RESISTOR	10kΩ 1/16W J		R4565	NRSA6AD-133W	MG RESISTOR	13kΩ 1/16W D	
R3022	NRSA6AJ-103W	MG RESISTOR	10kΩ 1/16W J		R4566	NRSA6AD-103W	MG RESISTOR	10kΩ 1/16W D	
R3025	NRSA6AJ-0R0W	MG RESISTOR	0Ω 1/16W J		R4568	NRSA6AJ-100W	MG RESISTOR	10Ω 1/16W J	
R3028	NRSA6AJ-0R0W	MG RESISTOR	0Ω 1/16W J		R4575	NRSA6AD-560W	MG RESISTOR	56Ω 1/16W D	
R3029	NRSA6AJ-0R0W	MG RESISTOR	0Ω 1/16W J		R4576	NRSA6AD-560W	MG RESISTOR	56Ω 1/16W D	
R3030	NRSA6AJ-104W	MG RESISTOR	100kΩ 1/16W J		R4577	NRSA6AJ-152W	MG RESISTOR	1.5kΩ 1/16W J	
R3032	NRSA6AJ-122W	MG RESISTOR	1.2kΩ 1/16W J		R4578	NRSA6AJ-152W	MG RESISTOR	1.5kΩ 1/16W J	
R3033	NRSA6AJ-122W	MG RESISTOR	1.2kΩ 1/16W J		R4580	NRSA6AD-820W	MG RESISTOR	82Ω 1/16W D	
R3034	NRSA6AJ-122W	MG RESISTOR	1.2kΩ 1/16W J		R4583	NRSA6AJ-182W	MG RESISTOR	1.8kΩ 1/16W J	
R3036	NRSA6AJ-222W	MG RESISTOR	2.2kΩ 1/16W J		R4584	NRSA6AJ-182W	MG RESISTOR	1.8kΩ 1/16W J	
R3037	NRSA6AJ-222W	MG RESISTOR	2.2kΩ 1/16W J		R4588	NRSA6AJ-102W	MG RESISTOR	1kΩ 1/16W J	
R3109	NRSA6AJ-220W	MG RESISTOR	22Ω 1/16W J		R4590	NRSA6AJ-682W	MG RESISTOR	6.8kΩ 1/16W J	
R3110	NRSA6AJ-220W	MG RESISTOR	22Ω 1/16W J		R4591	NRSA6AJ-101W	MG RESISTOR	100Ω 1/16W J	
R3127	NRSA6AJ-220W	MG RESISTOR	22Ω 1/16W J		R4902	NRSA6AJ-103W	MG RESISTOR	10kΩ 1/16W J	
R3128	NRSA6AJ-220W	MG RESISTOR	22Ω 1/16W J		R4903	NRSA6AJ-103W	MG RESISTOR	10kΩ 1/16W J	
R3145	NRSA6AJ-220W	MG RESISTOR	22Ω 1/16W J		R4904	NRSA6AJ-122W	MG RESISTOR	1.2kΩ 1/16W J	
R3146	NRSA6AJ-220W	MG RESISTOR	22Ω 1/16W J		R4905	NRSA6AJ-564W	MG RESISTOR	560kΩ 1/16W J	
R3163	NRSA6AJ-220W	MG RESISTOR	22Ω 1/16W J		R4906	NRSA6AJ-101W	MG RESISTOR	100Ω 1/16W J	
R3164	NRSA6AJ-220W	MG RESISTOR	22Ω 1/16W J		R4908	NRSA6AJ-123W	MG RESISTOR	12kΩ 1/16W J	
R3202	NRSA6AJ-473W	MG RESISTOR	47kΩ 1/16W J		R4909	NRSA6AJ-331W	MG RESISTOR	330Ω 1/16W J	
R3203	NRSA6AJ-104W	MG RESISTOR	100kΩ 1/16W J		R4910	NRSA6AJ-331W	MG RESISTOR	330Ω 1/16W J	
R3204	NRSA6AJ-473W	MG RESISTOR	47kΩ 1/16W J		R4911	NRSA6AJ-470W	MG RESISTOR	47Ω 1/16W J	
R3205	NRSA6AJ-104W	MG RESISTOR	100kΩ 1/16W J		R4913	NRSA6AJ-121W	MG RESISTOR	120Ω 1/16W J	
R3301	NRSA6AJ-270W	MG RESISTOR	27Ω 1/16W J		R4914	NRSA6AJ-121W	MG RESISTOR	120Ω 1/16W J	
R3302	NRSA6AJ-270W	MG RESISTOR	27Ω 1/16W J		R4915	NRSA6AJ-683W	MG RESISTOR	68kΩ 1/16W J	
R3332	NRSA6AJ-270W	MG RESISTOR	27Ω 1/16W J		R4916	NRSA6AJ-683W	MG RESISTOR	68kΩ 1/16W J	
R3333	NRSA6AJ-270W	MG RESISTOR	27Ω 1/16W J		R4917	NRSA6AJ-153W	MG RESISTOR	15kΩ 1/16W J	
R3340	NRSA6AJ-0R0W	MG RESISTOR	0Ω 1/16W J		R4918	NRSA6AJ-104W	MG RESISTOR	100kΩ 1/16W J	
R3341	NRSA6AJ-151W	MG RESISTOR	150Ω 1/16W J		R4919	NRSA6AJ-104W	MG RESISTOR	100kΩ 1/16W J	
R3343	NRSA6AJ-151W	MG RESISTOR	150Ω 1/16W J		R4920	NRSA6AJ-104W	MG RESISTOR	100kΩ 1/16W J	
R3344	NRSA6AJ-0R0W	MG RESISTOR	0Ω 1/16W J		R4921	NRSA6AJ-104W	MG RESISTOR	100kΩ 1/16W J	
R3348	NRSA6AJ-102W	MG RESISTOR	1kΩ 1/16W J		R4922	NRSA6AJ-822W	MG RESISTOR	8.2kΩ 1/16W J	
R3349	NRSA6AJ-103W	MG RESISTOR	10kΩ 1/16W J		R5701	NRSA6AD-183W	MG RESISTOR	18kΩ 1/16W D	
R3350	NRSA6AJ-562W	MG RESISTOR	5.6kΩ 1/16W J		R5702	NRSA6AD-183W	MG RESISTOR	18kΩ 1/16W D	
R3721	NRSA6AJ-100W	MG RESISTOR	10Ω 1/16W J		R5711	NRSA6AJ-474W	MG RESISTOR	470kΩ 1/16W J	
R3722	NRSA6AJ-100W	MG RESISTOR	10Ω 1/16W J		R5712	NRSA6AJ-474W	MG RESISTOR	470kΩ 1/16W J	
R3723	NRSA6AJ-100W	MG RESISTOR	10Ω 1/16W J		R5715	NRSA6AJ-102W	MG RESISTOR	1kΩ 1/16W J	
R3751	NRSA6AJ-332W	MG RESISTOR	3.3kΩ 1/16W J		R5716	NRSA6AJ-102W	MG RESISTOR	1kΩ 1/16W J	
R3752	NRSA6AJ-822W	MG RESISTOR	8.2kΩ 1/16W J		R6003	NRSA6AD-303W	MG RESISTOR	30kΩ 1/16W D	
R3753	NRSA6AJ-103W	MG RESISTOR	10kΩ 1/16W J		R6004	NRSA6AD-473W	MG RESISTOR	47kΩ 1/16W D	
R3754	NRSA6AJ-103W	MG RESISTOR	10kΩ 1/16W J		R6005	NRSA6AJ-474W	MG RESISTOR	470kΩ 1/16W J	
R4501	NRSA6AJ-100W	MG RESISTOR	10Ω 1/16W J		R6011	NRSA6AD-823W	MG RESISTOR	82kΩ 1/16W D	
R4503	NRSA6AJ-100W	MG RESISTOR	10Ω 1/16W J		R6012	NRSA6AD-333W	MG RESISTOR	33kΩ 1/16W D	
R4505	NRSA6AJ-100W	MG RESISTOR	10Ω 1/16W J		R6013	NRSA6AJ-103W	MG RESISTOR	10kΩ 1/16W J	
R4520	NRSA6AJ-101W	MG RESISTOR	100Ω 1/16W J		R6014	NRSA6AJ-104W	MG RESISTOR	100kΩ 1/16W J	
R4522	NRSA6AJ-101W	MG RESISTOR	100Ω 1/16W J		R6021	NRSA6AD-154W	MG RESISTOR	150kΩ 1/16W D	
R4524	NRSA6AJ-101W	MG RESISTOR	100Ω 1/16W J		R6022	NRSA6AD-393W	MG RESISTOR	39kΩ 1/16W D	
R4526	NRSA6AJ-101W	MG RESISTOR	100Ω 1/16W J		R6101	NRSA6AJ-362W	MG RESISTOR	3.6kΩ 1/16W J	
R4527	NRSA6AJ-101W	MG RESISTOR	100Ω 1/16W J		R6103	NRSA6AJ-0R0W	MG RESISTOR	0Ω 1/16W J	
R4530	NRSA6AJ-102W	MG RESISTOR	1kΩ 1/16W J		R6104	NRSA6AD-203W	MG RESISTOR	20kΩ 1/16W D	
R4533	NRSA6AJ-101W	MG RESISTOR	100Ω 1/16W J		R6107	NRSA6AD-163W	MG RESISTOR	16kΩ 1/16W D	
R4534	NRSA6AJ-100W	MG RESISTOR	10Ω 1/16W J		R6109	NRSA6AD-104W	MG RESISTOR	100kΩ 1/16W D	
R4535	NRSA6AJ-100W	MG RESISTOR	10Ω 1/16W J		R6201	NRSA6AJ-822W	MG RESISTOR	8.2kΩ 1/16W J	
R4536	NRSA6AJ-101W	MG RESISTOR	100Ω 1/16W J		R6202	NRSA6AJ-0R0W	MG RESISTOR	0Ω 1/16W J	
R4537	NRSA6AJ-100W	MG RESISTOR	10Ω 1/16W J		R6203	NRSA6AD-103W	MG RESISTOR	10kΩ 1/16W D	
R4538	NRSA6AJ-100W	MG RESISTOR	10Ω 1/16W J		R6204	NRSA6AD-204W	MG RESISTOR	200kΩ 1/16W D	
R4539	NRSA6AJ-100W	MG RESISTOR	10Ω 1/16W J		R6301	NRSA6AJ-362W	MG RESISTOR	3.6kΩ 1/16W J	
R4540	NRSA6AJ-101W	MG RESISTOR	100Ω 1/16W J		R6302	NRSA63J-0R0X	MG RESISTOR	0Ω 1/10W J	
R4541	NRSA6AJ-100W	MG RESISTOR	10Ω 1/16W J		R6303	NRSA6AD-183W	MG RESISTOR	18kΩ 1/16W D	
R4542	NRSA6AJ-100W	MG RESISTOR	10Ω 1/16W J		R6304	NRSA6AD-103W	MG RESISTOR	10kΩ 1/16W D	
R4543	NRSA6AJ-100W	MG RESISTOR	10Ω 1/16W J		R6305	NRSA6AD-301W	MG RESISTOR	300Ω 1/16W D	
R4544	NRSA6AJ-100W	MG RESISTOR	10Ω 1/16W J		R6306	NRSA63J-0R0X	MG RESISTOR	0Ω 1/10W J	
R4545	NRSA6AJ-100W	MG RESISTOR	10Ω 1/16W J		R6401	NRSA6AJ-362W	MG RESISTOR	3.6kΩ 1/16W J	
R4546	NRSA6AJ-100W	MG RESISTOR	10Ω 1/16W J		R6402	NRSA63J-0R0X	MG RESISTOR	0Ω 1/10W J	
R4547	NRSA6AJ-100W	MG RESISTOR	10Ω 1/16W J		R6403	NRSA6AD-303W	MG RESISTOR	30kΩ 1/16W D	
R4548	NRSA6AJ-100W	MG RESISTOR	10Ω 1/16W J		R6404	NRSA6AD-133W	MG RESISTOR	13kΩ 1/16W D	
R4549	NRSA6AJ-100W	MG RESISTOR	10Ω 1/16W J		R6405	NRSA6AD-151W	MG RESISTOR	150Ω 1/16W D	
R4550	NRSA6AJ-273W	MG RESISTOR	27kΩ 1/16W J		R6410	NRSA6AD-104W	MG RESISTOR	100kΩ 1/16W D	
R4553	NRSA6AJ-103W	MG RESISTOR	10kΩ 1/16W J		R6501	NRSA6AJ-272W	MG RESISTOR	2.7kΩ 1/16W J	
R4554	NRSA6AD-511W	MG RESISTOR	510Ω 1/16W D		R6502	NRSA6AJ-682W	MG RESISTOR	6.8kΩ 1/16W J	
R4555	NRSA6AD-682W	MG RESISTOR	6.8kΩ 1/16W D		R6503	NRSA6AD-114W	MG RESISTOR	110kΩ 1/16W D	
R4556	NRSA6AJ-101W	MG RESISTOR	100Ω 1/16W J		R6505	NRSA6AD-103W	MG RESISTOR	10kΩ 1/16W D	
R4557	NRSA6AJ-101W	MG RESISTOR	100Ω 1/16W J		R6514	NRSA6AD-153W	MG RESISTOR	15kΩ 1/16W D	



MODEL	MARK	MODEL	MARK	MODEL	MARK	MODEL	MARK	MODEL	MARK	MODEL	MARK
GZ-HD300AEK	A	GZ-HD300AEZ	D	GZ-HD300BEU	G	GZ-HD300RER	K	GZ-HD320BEK	N	GZ-HD320BEZ	R
GZ-HD300AER	B	GZ-HD300BEK	E	GZ-HD300BEZ	H	GZ-HD300REU	L	GZ-HD320BER	P		
GZ-HD300AEU	C	GZ-HD300BER	F	GZ-HD300REK	J	GZ-HD300REZ	M	GZ-HD320BEU	Q		

### OPE BOARD ASSEMBLY <04>

### MONITOR BOARD ASSEMBLY <06>

Symbol No.	Part No.	Part Name	Description	Local
PW2	LYA10153-02B2	OPE BOARD ASSY		
R401	NRSA63J-682X	MG RESISTOR	6.8kΩ 1/16W J	
R402	NRSA63J-153X	MG RESISTOR	15kΩ 1/16W J	
R403	NRSA63J-473X	MG RESISTOR	47kΩ 1/16W J	
CN401	QGF0566C1-40X	CONNECTOR	FFC/FPC (1-40)	
CN402	QGF0534F2-28X	CONNECTOR	FFC/FPC (1-28)	
CN403	QGA1001F1-02X	CONNECTOR	W-B (1-2)	
S401	NSW0294-001X	LEVER SWITCH		
S402	NSW0198-001X	TACT SWITCH	POWER	
S403	NSW0198-001X	TACT SWITCH	DIRECT	
S404	NSW0198-001X	TACT SWITCH	PLAY/REC	
S405	NSW0198-001X	TACT SWITCH	DISP	
S406	NSW0198-001X	TACT SWITCH	UPLOAD	
S407	NSW0198-001X	TACT SWITCH	IPOD	
S408	NSW0099-001X	SLIDE SWITCH	MOVE/STILL	
WR1	QAL1146-001	FPC	OPE-MAIN	

Symbol No.	Part No.	Part Name	Description	Local
PW1	LYA10153-02B1	MONITOR BOARD ASSY		
IC701	HGDES031A-X	IC		
IC7301	TC7SZ04FU-F-X	IC(DIGITAL)		
Q701	2SC4617/QR/-X	TRANSISTOR		
Q701	or 2SC5383/E/-X	TRANSISTOR		
Q701	or 2SD2216J/QR/-X	TRANSISTOR		
Q702	2SC4617/QR/-X	TRANSISTOR		
Q702	or 2SC5383/E/-X	TRANSISTOR		
Q702	or 2SD2216J/QR/-X	TRANSISTOR		
Q7301	2SC4617/QR/-X	TRANSISTOR		
Q7301	or 2SD2216J/QR/-X	TRANSISTOR		
Q7301	or 2SC5383/E/-X	TRANSISTOR		
Q7302	2SA1774/QR/-X	TRANSISTOR		
Q7302	or 2SB1462J/QR/-X	TRANSISTOR		
Q7302	or 2SA1989/QR/-X	TRANSISTOR		
Q7303	2SC4617/QR/-X	TRANSISTOR		
Q7303	or 2SD2216J/QR/-X	TRANSISTOR		
Q7303	or 2SC5383/E/-X	TRANSISTOR		
Q7305	DTC143XE-X	DIGI TRANSISTOR		
Q7305	or UN921FJ-X	DIGI TRANSISTOR		
Q7305	or SRC1219EF-X	DIGI TRANSISTOR		
Q7305	or KRC419E-X	DIGI TRANSISTOR		
Q7305	or RT1N432U-X	DIGI TRANSISTOR		
Q7306	DTC124EE-X	DIGI TRANSISTOR		
Q7306	or UN9212J-X	DIGI TRANSISTOR		
Q7306	or SRC1203EF-X	DIGI TRANSISTOR		
Q7306	or KRC403E-X	DIGI TRANSISTOR		
Q7306	or RT1N241U-X	DIGI TRANSISTOR		
Q7701	2SC4617/QR/-X	TRANSISTOR		
Q7701	or 2SC5383/E/-X	TRANSISTOR		
Q7701	or 2SD2216J/QR/-X	TRANSISTOR		
Q7702	UMX1N-W	PAIR TRANSISTOR		
Q7702	or KTC801U/G/-X	PAIR TRANSISTOR		
Q7702	or RT3CLLM/EF/-X	TRANSISTOR		
Q7702	or XP4501-W	TRANSISTOR		
Q7702	or PUMX1-W	PAIR TRANSISTOR		
Q7703	UMX1N-W	PAIR TRANSISTOR		
Q7703	or KTC801U/G/-X	PAIR TRANSISTOR		
Q7703	or RT3CLLM/EF/-X	TRANSISTOR		
Q7703	or XP4501-W	TRANSISTOR		
Q7703	or PUMX1-W	PAIR TRANSISTOR		
D707	SMLA12BC7/NP/-X	LED		
D7301	1SS355-X	SI DIODE		
D7301	or MA111-X	SI DIODE		
D7301	or SDS511-X	SI DIODE		
D7301	or 1SS352-X	SI DIODE		
D7302	UDZS5.1B-X	Z DIODE		
D7302	or MA8051/M/-X	Z DIODE		
D7701	NSSW006/T294-X	LED		
D7702	NSSW006/T294-X	LED		
D7703	NSSW006/T294-X	LED		
D7704	NSSW006/T294-X	LED		
C701	NCB30JK-105X	C CAPACITOR	1uF 6.3V K	
C702	NCB30JK-105X	C CAPACITOR	1uF 6.3V K	
C7302	NCB20JK-106X	C CAPACITOR	10uF 6.3V K	
C7303	NCB20JK-106X	C CAPACITOR	10uF 6.3V K	
C7305	NCB11CK-475X	C CAPACITOR	4.7uF 16V K	
C7307	NCB20JK-106X	C CAPACITOR	10uF 6.3V K	
C7308	NCB21CK-104X	C CAPACITOR	0.1uF 16V K	
C7309	NCB21CK-105X	C CAPACITOR	1uF 16V K	
C7310	NCB21CK-105X	C CAPACITOR	1uF 16V K	
C7311	NCB21CK-105X	C CAPACITOR	1uF 16V K	
C7312	NCB31CK-105X	C CAPACITOR	1uF 16V K	
C7314	NCB31CK-105X	C CAPACITOR	1uF 16V K	
R701	NRSA63J-472X	MG RESISTOR	4.7kΩ 1/16W J	
R702	NRSA63J-123X	MG RESISTOR	12kΩ 1/16W J	
R703	NRSA63J-471X	MG RESISTOR	470Ω 1/16W J	
R707	NRSA63J-104X	MG RESISTOR	100kΩ 1/16W J	
R708	NRSA63J-472X	MG RESISTOR	4.7kΩ 1/16W J	
R709	NRSA63J-392X	MG RESISTOR	3.9kΩ 1/16W J	

### REAR BOARD ASSEMBLY <05>

Symbol No.	Part No.	Part Name	Description	Local
PW4	LYA10153-02B4	REAR BOARD ASSY		
IC631	NAL0074-001X	GYRO SENSOR		
D601	MA8068-X	Z DIODE		
D602	MA8068-X	Z DIODE		
D603	UDZS16B-X	Z DIODE		
D604	EMZ6.8N-X	Z DIODE		
C603	NCB31HK-102X	C CAPACITOR	1000pF 50V K	
C604	NCB31HK-102X	C CAPACITOR	1000pF 50V K	
C605	NCB31CK-104X	C CAPACITOR	0.1uF 16V K	
C606	NCB31CK-104X	C CAPACITOR	0.1uF 16V K	
C607	NCB31CK-104X	C CAPACITOR	0.1uF 16V K	
C631	NCB20JK-106X	C CAPACITOR	10uF 6.3V K	
C632	NCB31CK-103X	C CAPACITOR	0.01uF 16V K	
C633	NCB20JK-475X	C CAPACITOR	4.7uF 6.3V K	
C634	NCB21CK-224X	C CAPACITOR	0.22uF 16V K	
C635	NCB31CK-104X	C CAPACITOR	0.1uF 16V K	
C636	NCB31CK-104X	C CAPACITOR	0.1uF 16V K	
C637	NCB21CK-224X	C CAPACITOR	0.22uF 16V K	
C638	NCB20JK-475X	C CAPACITOR	4.7uF 6.3V K	
C639	NCB31CK-104X	C CAPACITOR	0.1uF 16V K	
R601	NRSA63J-101X	MG RESISTOR	100Ω 1/16W J	
R602	NRSA63J-101X	MG RESISTOR	100Ω 1/16W J	
R631	NRSA63J-105X	MG RESISTOR	1MΩ 1/16W J	
R632	NRSA63J-751X	MG RESISTOR	750Ω 1/16W J	
R633	NRSA63J-751X	MG RESISTOR	750Ω 1/16W J	
R634	NRSA63J-105X	MG RESISTOR	1MΩ 1/16W J	
R635	NRSA63J-0R0X	MG RESISTOR	0Ω 1/10W J	
R636	NRSA63J-0R0X	MG RESISTOR	0Ω 1/10W J	
R637	NRSA63J-0R0X	MG RESISTOR	0Ω 1/10W J	
R638	NRSA63J-0R0X	MG RESISTOR	0Ω 1/10W J	
R639	NRSA63J-0R0X	MG RESISTOR	0Ω 1/10W J	
R640	NRSA63J-0R0X	MG RESISTOR	0Ω 1/10W J	
L601	NRSA63J-0R0X	MG RESISTOR	0Ω 1/10W J	
L602	NQR0251-004X	FERRITE BEADS		
L603	NQR0251-004X	FERRITE BEADS		
L631	NQR0129-002X	FERRITE BEADS		
BT601	LY35736-001A	BATT.TERMINAL		
△ BT602	QAB0050-001	LITHIUM BATTERY		
CN601	QGF0534F2-36X	CONNECTOR	FFC/FPC (1-36)	
J601	QNS0287-001	3.5 JACK		
J602	QNA0050-002	DC JACK		
OT1	LY45764-001A	SPACER(REAR)		
WR1	QAL1182-001	FPC	REAR-MAIN	

MODEL	MARK	MODEL	MARK	MODEL	MARK	MODEL	MARK	MODEL	MARK	MODEL	MARK
GZ-HD300AEK	A	GZ-HD300AEZ	D	GZ-HD300BEU	G	GZ-HD300RER	K	GZ-HD320BEK	N	GZ-HD320BEZ	R
GZ-HD300AER	B	GZ-HD300BEK	E	GZ-HD300BEZ	H	GZ-HD300REU	L	GZ-HD320BER	P		
GZ-HD300AEU	C	GZ-HD300BER	F	GZ-HD300REK	J	GZ-HD300REZ	M	GZ-HD320BEU	Q		

△ Symbol No. Part No. Part Name Description Local

R710	NRSA63D-470X	MG RESISTOR	47Ω 1/16W D	
R7301	NRSA63J-102X	MG RESISTOR	1kΩ 1/16W J	
R7302	NRSA63J-273X	MG RESISTOR	27kΩ 1/16W J	
R7303	NRSA63J-222X	MG RESISTOR	2.2kΩ 1/16W J	
R7304	NRSA63D-221X	MG RESISTOR	220Ω 1/16W D	
R7305	NRSA63D-272X	MG RESISTOR	2.7kΩ 1/16W D	
R7306	NRSA63D-332X	MG RESISTOR	3.3kΩ 1/16W D	
R7307	NRSA63J-104X	MG RESISTOR	100kΩ 1/16W J	
R7310	NRSA63J-472X	MG RESISTOR	4.7kΩ 1/16W J	
R7311	NRSA63J-182X	MG RESISTOR	1.8kΩ 1/16W J	
R7312	NRSA63J-473X	MG RESISTOR	47kΩ 1/16W J	
R7313	NRSA63J-473X	MG RESISTOR	47kΩ 1/16W J	
R7314	NRSA63J-473X	MG RESISTOR	47kΩ 1/16W J	
R7315	NRSA63J-105X	MG RESISTOR	1MΩ 1/16W J	
R7318	NRSA63J-123X	MG RESISTOR	12kΩ 1/16W J	
R7701	NRSA63D-391X	MG RESISTOR	390Ω 1/16W D	
R7702	NRSA63D-682X	MG RESISTOR	6.8kΩ 1/16W D	
R7703	NRSA63D-330X	MG RESISTOR	33Ω 1/16W D	
R7704	NRSA63D-330X	MG RESISTOR	33Ω 1/16W D	
R7705	NRSA63D-330X	MG RESISTOR	33Ω 1/16W D	
R7706	NRSA63D-330X	MG RESISTOR	33Ω 1/16W D	
L7302	NQL382M-100X	COIL	10uH M	
CN701	QGF0534F2-24X	CONNECTOR	FFC/FPC (1-24)	
CN702	QGF0528F4-08X	CONNECTOR	FFC/FPC (1-8)	
CN703	QGF0309F2-29X	CONNECTOR	FFC/FPC (1-29)	
OT1	LY45528-001A	SHEET REF(LOGO)		

### JACK BOARD ASSEMBLY <07>

△ Symbol No. Part No. Part Name Description Local

PW1	LYA10168-01A	JACK BOARD ASSY		
J902	NNZ0218-001X	HDMI CONNECTOR		
J903	NNZ0225-001X	M CONNECTOR		