

JVC

PARTS LIST

CAMCORDER

GZ-E10SEK
GZ-E15BEU

GZ-E10SEU
GZ-E15REK

GZ-E15BEK
GZ-E15SEK



■ PRECAUTIONS ON SCHEMATIC DIAGRAMS

- Due to the improvement in performance, some part numbers shown in the circuit diagrams may not agree with those indicated in the Parts List.
- The parts numbers, values and rated voltage etc. in the Schematic Diagrams are for reference only.
- Since the circuit diagrams are standard ones, the circuits and circuit constants may be subject to change for improvement without any notice.

■ PRECAUTIONS ON PARTS LIST

- The parts identified by the \triangle symbol are critical for safety. Whenever replacing these parts, be sure to use specified ones to secure the safety.
- The parts not indicated in this Parts List and those which are filled with lines --- in the Parts No. columns will not be supplied.
- P.W. BOARD Ass'y will not be supplied, but those which are filled with the Parts No. in the Parts No. columns will be supplied.
- When ordering chips, screws etc., place bulk orders (unit of tens) whenever possible to improve shipping efficiency.
- There are cases where the actual implemented parts in the sets and the service parts are different. When ordering parts, make sure to refer to the Parts List.

■ PRECAUTIONS ON SERVICE

Certain parts of the power circuits and the GNDs differ according to the models. Care must be taken for the following points as the differences are indicated separately in the LIVE GND () and the ISOLATED (NEUTRAL) GND () .

1. Do not touch the LIVE GND, or do not touch the LIVE GND and the ISOLATED (NEUTRAL) GND at the same time. It may cause an electric shock.
Before pulling out the chassis or other parts, make sure to pull out the power cord from the wall outlet first.
2. Do not short circuit between the LIVE GND and ISOLATED (NEUTRAL) GND, or never measure the LIVE GND and ISOLATED (NEUTRAL) GND at the same time using measuring instruments (oscilloscope, etc.). It may blow fuses or damage other parts.

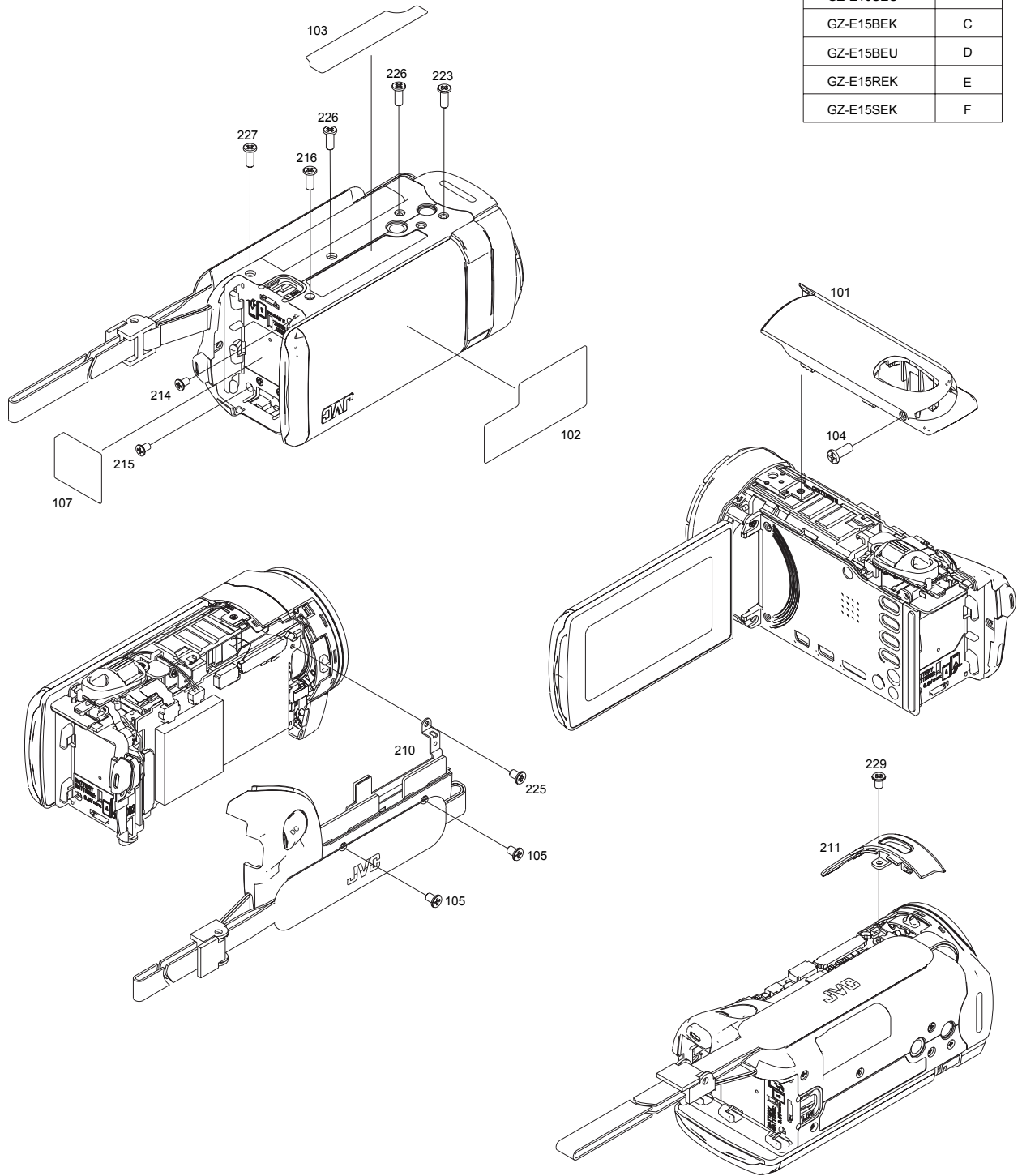
■ DEVIATION TOLERANCE RANGE

DEVIATION TOLERANCE RANGE									
F	G	J	K	M	N	R	H	Z	P
$\pm 1\%$	$\pm 2\%$	$\pm 5\%$	$\pm 10\%$	$\pm 20\%$	$\pm 30\%$	+30% -10%	+50% -10%	+80% -20%	+100% -0%

FINAL ASSEMBLY<M1>

The instruction manual to be provided with this product will differ according to the destination.

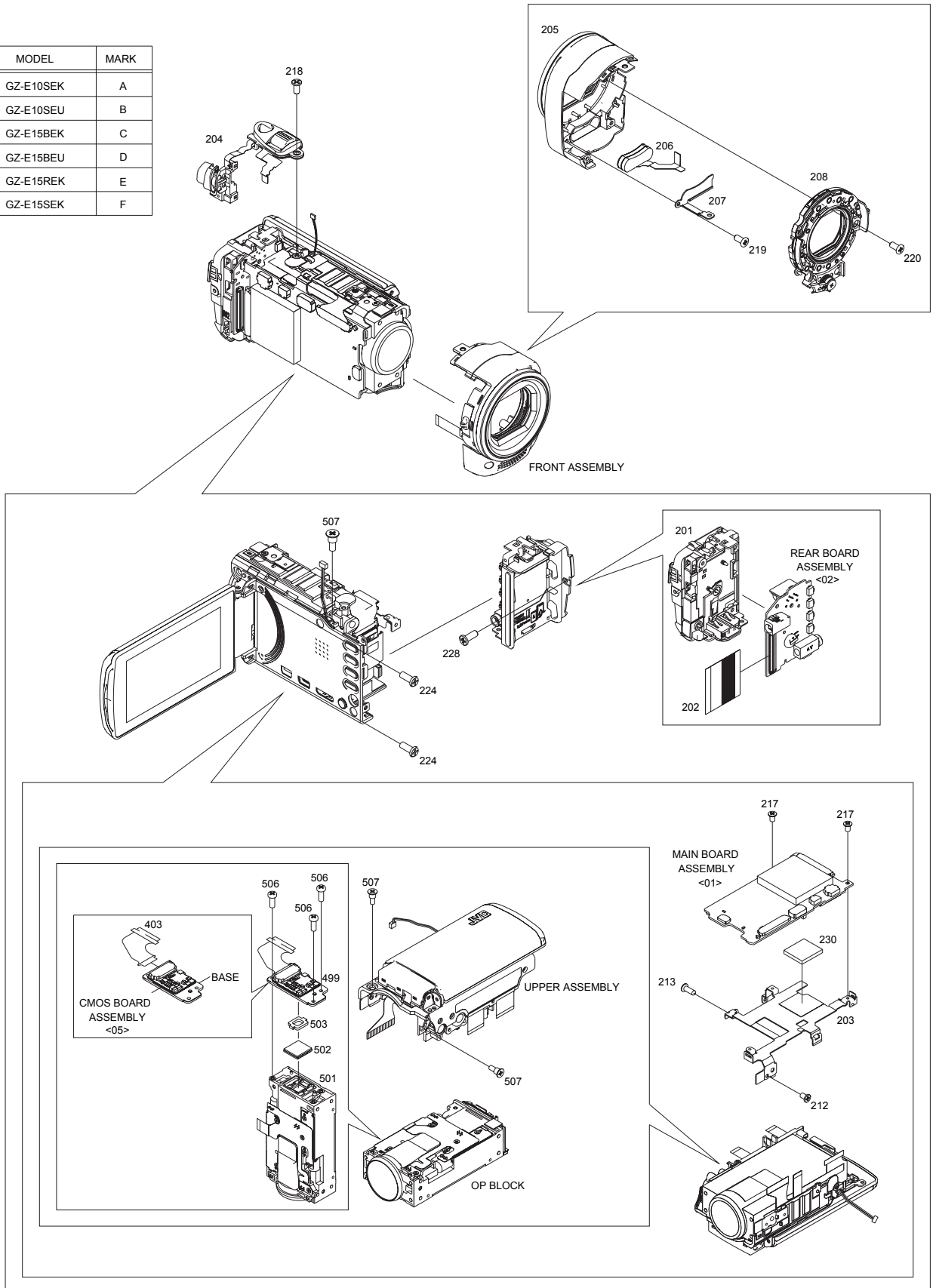
MODEL	MARK
GZ-E10SEK	A
GZ-E10SEU	B
GZ-E15BEK	C
GZ-E15BEU	D
GZ-E15REK	E
GZ-E15SEK	F



FINAL ASSEMBLY<M1>

The instruction manual to be provided with this product will differ according to the destination.

MODEL	MARK
GZ-E10SEK	A
GZ-E10SEU	B
GZ-E15BEK	C
GZ-E15BEU	D
GZ-E15REK	E
GZ-E15SEK	F

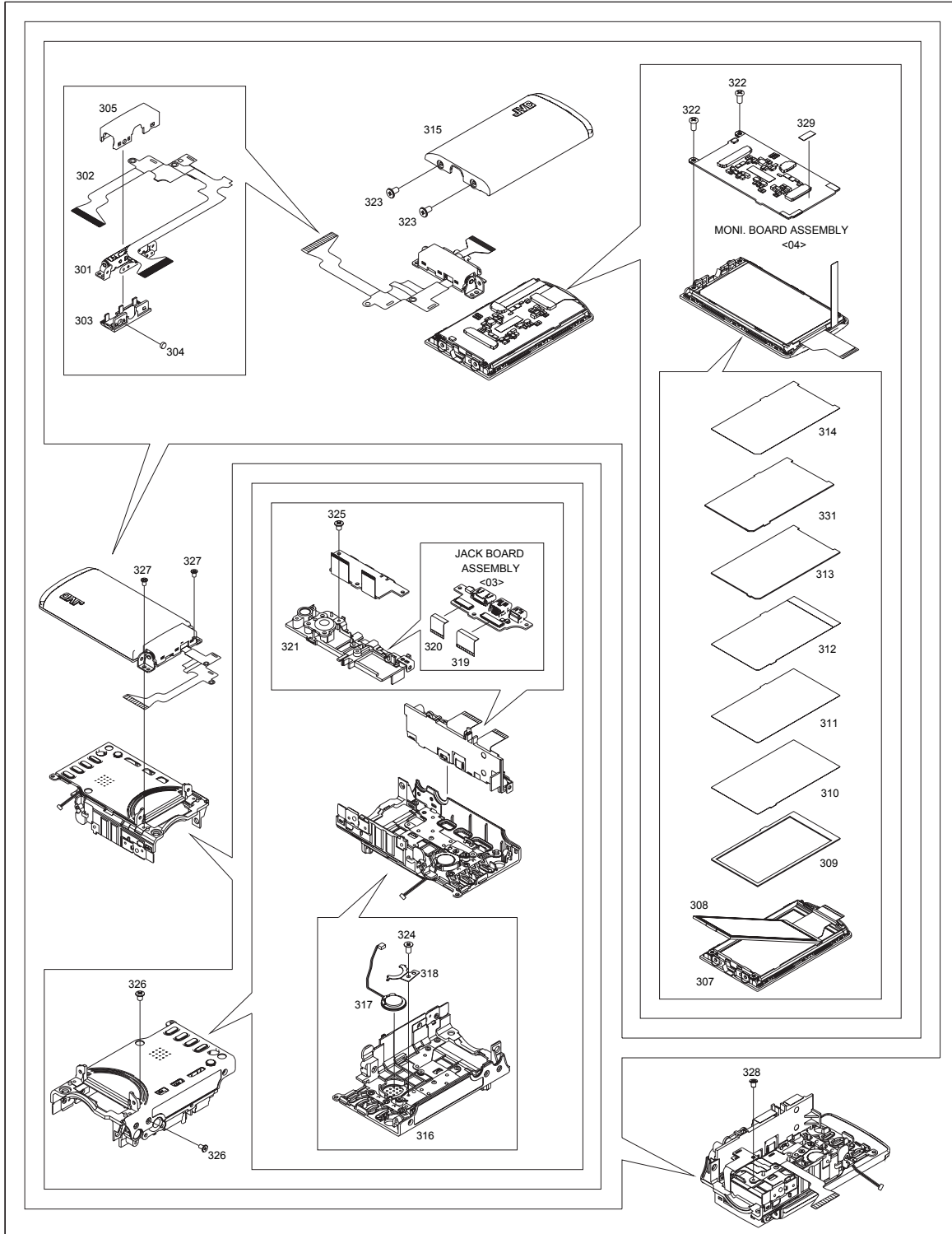


FINAL ASSEMBLY<M1>

The instruction manual to be provided with this product will differ according to the destination.

MODEL	MARK
GZ-E10SEK	A
GZ-E10SEU	B
GZ-E15BEK	C
GZ-E15BEU	D
GZ-E15REK	E
GZ-E15SEK	F

UPPER ASSEMBLY

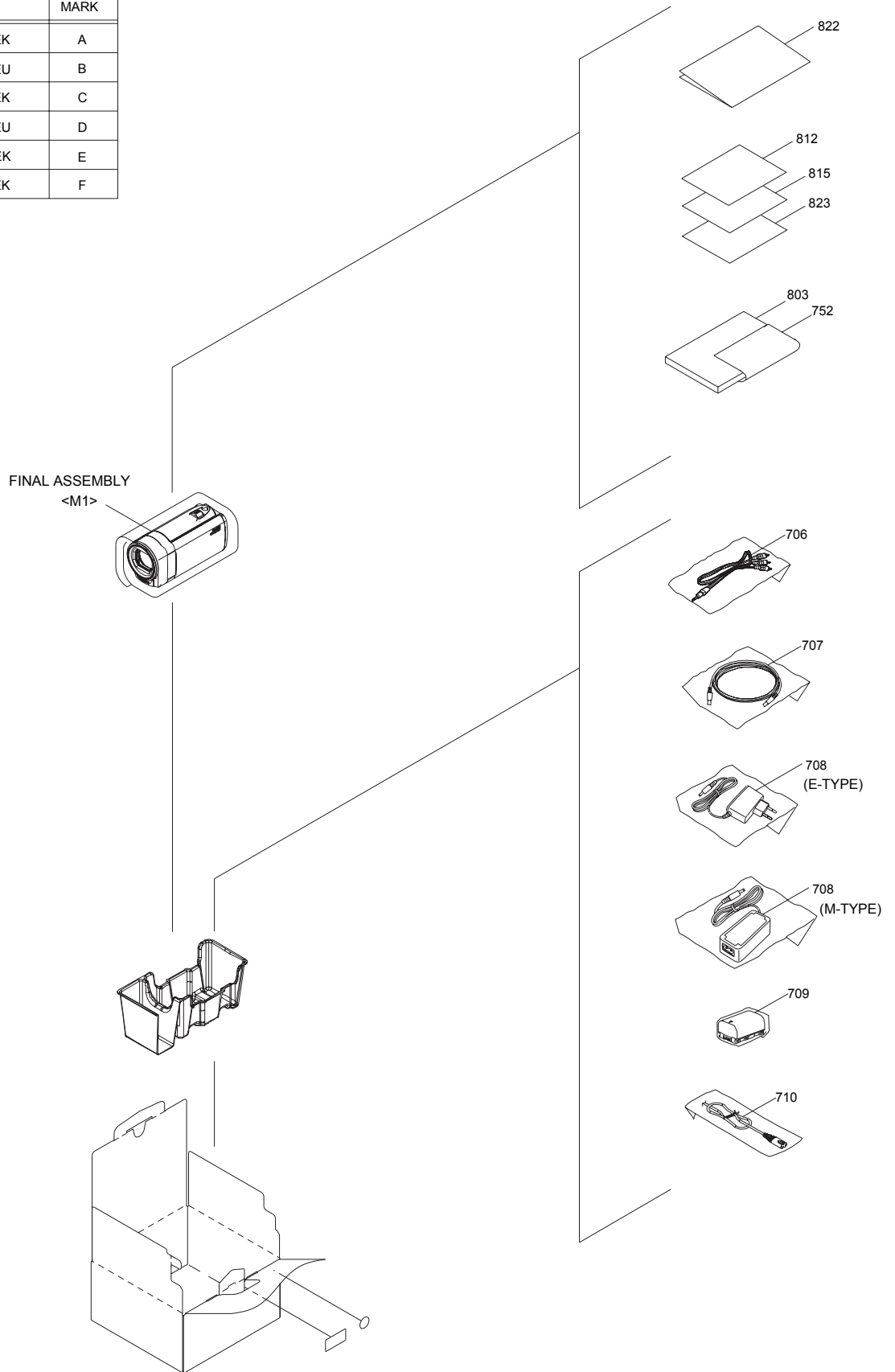


MODEL	MARK	MODEL	MARK	MODEL	MARK	MODEL	MARK
GZ-E10SEK	A	GZ-E10SEU	B	GZ-E15BEK	C	GZ-E15BEU	D
GZ-E15REK	E	GZ-E15SEK	F				

Safe	Symbol No.	Parts No.	Parts Name	Description	QTY	Local
FINAL ASSEMBLY <M1MM>						
	101	LY37600-002D	TOP COVER ASSY		1	A,B,F
	101	LY37600-001D	TOP COVER ASSY		1	C,D
	101	LY37600-003D	TOP COVER ASSY		1	E
	102	-----	STICKER	AP	1	
△	103	LY38159-005A	RATING LABEL A1		1	A
△	103	LY38159-004A	RATING LABEL A1		1	B
△	103	LY38159-015A	RATING LABEL A1		1	C
△	103	LY38159-014A	RATING LABEL A1		1	D
△	103	LY38159-020A	RATING LABEL A1		1	E
△	103	LY38159-017A	RATING LABEL A1		1	F
	104	LY30031-0R3A	SPECIAL SCREW	TOP-REAR	1	
	105	LY30031-0R2A	SPECIAL SCREW	LOWER-BKT LOWER	2	
	107	-----	REAR LABEL A1		1	
	201	LY37584-001D	REAR COVER ASSY		1	
	202	WJT0298-001A-E	E-CARD WIRE	REAR P-MAI	1	
	203	-----	SHLD(MAIN)		1	
	204	LY22199-002A	OPE UNIT		1	A,B,F
	204	LY22199-001A	OPE UNIT		1	C,D
	204	LY22199-005A	OPE UNIT		1	E
	205	LY22208-026A	F.COVER ASSY C1A		1	A,B,F
	205	LY22208-025A	F.COVER ASSY C1		1	C,D
	205	LY22208-027A	F.COVER ASSY C1A		1	E
	206	QAN0111-001	MICROPHONE UNIT		1	
	207	-----	PLATE (MIC)		1	
	208	LY22191-001E	SHUTTER ASSY		1	
	210	LY37597-001K	L.CASE ASY CIA		1	A,B,F
	210	LY37597-001H	L.CASE ASY CIA		1	C,D,E
	211	LY37627-001C	WINDOW (WB)		1	
	212	LY30031-0R2A	SPECIAL SCREW	SHLD-BKT HINGE	1	
	213	LY30031-0R3A	SPECIAL SCREW	SHLD-T.HOLDER	1	
	214	LY30031-0R3A	SPECIAL SCREW	REAR-UPPER	1	
	215	LY30031-0R2A	SPECIAL SCREW	REAR-SHLD	1	
	216	LY30031-0R3A	SPECIAL SCREW	UPPER-T.HOLDER R	1	
	217	LY30031-0R2A	SPECIAL SCREW	M,PWB - SHLD MAIN	2	
	218	LY30031-0R1A	SPECIAL SCREW	OPE-UPPER	1	
	219	LY30031-0R1A	SPECIAL SCREW	P.MIC-FRONT	1	
	220	LY30031-0R1A	SPECIAL SCREW	SHUTTER-FRONT	1	
	223	LY30031-0R3A	SPECIAL SCREW	UPPER-T.HOLDER F	1	
	224	LY30031-0R3A	SPECIAL SCREW	UPPER-FRONT	2	
	225	LY30031-0R2A	SPECIAL SCREW	BKT LOWER-SHLD	1	
	226	LY30031-0R3A	SPECIAL SCREW	LOWER-T.HOLDER	2	
	227	LY30031-0R1A	SPECIAL SCREW	REAR-LOWER	1	
	228	LY30031-0R1A	SPECIAL SCREW	LOWER-REAR	1	
	229	LY30031-0R2A	SPECIAL SCREW	WIN WB-SHLD	1	
	230	-----	HEAT SHEET	FELIX IC	1	
	301	LY21558-005A	HINGE UNIT		1	
	302	QAL1321-002	FPC	MONI-MAIN	1	
	303	LY37617-001A	H COVER (L)		1	
	304	QQR1878-001	P.C.MAGNET		1	
	305	LY37616-002B	H COVER (U) CIA		1	A,B,F
	305	LY37616-001B	H COVER (U) CIA		1	C,D
	305	LY37616-003B	H COVER (U) CIA		1	E
	307	LY37605-002A	M.CASE ASY CIA		1	
	308	QLD0691-001	LCD MODULE		1	
	309	LY37606-001A	SHEET CLEARANCE		1	
	310	LY37607-001A	SHEET BEF(MAIN)		1	
	311	LY37620-001A	SHEET (M.REF)		1	
	312	LY37608-001A	SHEET (M.DIFF)		1	
	313	LY37609-001A	LIGHT GUIDE		1	
	314	LY37610-001A	SHEET (M.REF)		1	
	315	LY37614-018A	M COVER ASSY CIA		1	A,B,F
	315	LY37614-017A	M.COVER ASSY CIA		1	C,D
	315	LY37614-019A	M COVER ASSY CIA		1	E
	316	LY37621-013B	U.FRAME ASSY		1	
	317	QAS0628-001	SPEAKER		1	
	318	-----	BKT(SPK)		1	
	319	QAL1380-001	FPC	JACK FPC	1	
	320	QAL1379-001	FPC	HDMI FPC	1	
	321	LY37611-001D	T.BASE ASSY		1	
	322	LY30031-0R1A	SPECIAL SCREW	M.PWB-M.CASE	2	
	323	LY30031-0N5A	SPECIAL SCREW	M.COVER-HINGE	2	
	324	LY30031-0H5A	SPECIAL SCREW	BKT SPK-BKT HINGE	1	
	325	LY30031-0H5A	SPECIAL SCREW	J.PWB-J.PLATE	1	
	326	LY30031-0Q7A	SPECIAL SCREW	UPPER-T.HOLDER	2	
	327	LY30031-0Q5A	SPECIAL SCREW	HINGE-BKT HINGE	2	
	328	LY30031-0H5A	SPECIAL SCREW	MONI FPC-BKT HINGE	1	
	329	-----	SPACER(A)		1	
	331	LY38042-001A	SHEET CLEAR (CI)		1	
	403	QAL1322-001	FPC		1	
	499	LYA20082-02A	CMOS BOARD ASSY	CMOS BOARD ASSY(INCL.BASE/FPC)	1	
	501	LY37655-001B	OP BLOCK		1	
	502	-----	IR CUT FILTER		1	
	503	-----	SHEET		1	
	506	QYSPSGU1745MA	TAP SCREW	M1.7 x 4.5mm	3	
	507	LY30032-038A	SPECIAL SCREW	UPPER-OP	3	

PACKING AND ACCESSORY ASSEMBLY <M5>

MODEL	MARK
GZ-E10SEK	A
GZ-E10SEU	B
GZ-E15BEK	C
GZ-E15BEU	D
GZ-E15REK	E
GZ-E15SEK	F



MODEL	MARK	MODEL	MARK	MODEL	MARK	MODEL	MARK
GZ-E10SEK	A	GZ-E10SEU	B	GZ-E15BEK	C	GZ-E15BEU	D
GZ-E15REK	E	GZ-E15SEK	F				

Safe	Symbol No.	Parts No.	Parts Name	Description	QTY	Local
------	------------	-----------	------------	-------------	-----	-------

PACKING AND ACCESSORY ASSEMBLY <M5MM>

	706	QAM1309-001	A/V CABLE		1	
	707	QAM1369-001	USB CABLE	(TYPE A-MINI TYPE B)	1	
△	708	QAL1318-001	AC P ADAPTOR	AC-V10M	1	A,C,E,F
△	708	QAL1316-001	AC P ADAPTOR	AC-V10E	1	B,D
△	709	LY37559-003A	BATTERY PACK	BN-VG108E	1	
△	710	QMPP430-100-JD	POWER CORD(EK)	1m BLACK	1	A,C,E,F
	752	-----	WARRANTY CARD	BT-54045-1	1	
△	803	LYT2394-001A-M	INST BOOK	(ENGLISH)	1	A,C,E,F
△	803	LYT2394-003A-M	INST BOOK	(DANISH/FINN/HUNGARIAN/CZ ECH/SWEDISH/POLISH/NORW EGIAN)	1	B,D
	812	-----	REGIST. CARD		1	A,C,E,F
	815	-----	Q.CARD		1	A,C,E,F
	822	-----	SHEET ACC.GUIDE	AP	1	
	823	-----	SHEET(E-SHOP)		1	A,C,E,F

MAIN BOARD ASSEMBLY <01>

	PW1001	LYA10323-02D	MAIN BOARD ASSY		1	A,F
	PW1001	LYA10323-02A	MAIN BOARD ASSY		1	B,C,D,E
	IC1003	R1EX25004ATA-X	IC		1	
	IC1003 or	CAT25040YI-G-X	IC		1	
	IC1004	R5G05001N311N-X	IC(MCU)		1	
	IC2061	BU76312GUW-X	IC		1	
	IC3001	JCY0246	IC		1	
	IC3002	XC6213B312NG-X	IC		1	
	IC3003	XC8101AA01NG-X	IC		1	
	IC3003 or	XC8101AA01N-X	IC		1	
	IC3101	K4X1G323PF-8GD8	IC		1	
	IC3202	TC58EVG0S8EBAIB	IC		1	
	IC4601	R2A30451BM-X	IC		1	
	IC6001	BD9362GUL-X	IC		1	
	IC6102	XC6215B282NG-X	IC		1	
	IC6501	XC6220B271MG-X	IC		1	
	IC6901	MAX8934EETI-X	IC		1	
	Q2462	DSC9001/R/-X	TRANSISTOR		1	
	Q2462 or	2SC5383/F/-X	TRANSISTOR		1	
	Q2661	RT3X99M-X	TRANSISTOR		1	
	Q2662	DRA9143Z-X	DIGI TRANSISTOR		1	
	Q2662 or	LTA014EEB-X	DIGI TRANSISTOR		1	
	Q3001	RT3T22M-X	DIGI TRANSISTOR		1	
	Q3002	RT3T22M-X	DIGI TRANSISTOR		1	
	Q3003	FK330601-X	MOS FET		1	
	Q3004	FC694601-W	MOS FET		1	
	Q4502	DSA9001/R/-X	TRANSISTOR		1	
	Q4502 or	2SA1774/RS/-X	TRANSISTOR		1	
	Q4602	CPT-290S-C-X	PHOTO TRANSISTOR		1	
	Q6101	MTM13124-X	MOS FET		1	
	Q6102	DRC9143X-X	DIGI TRANSISTOR		1	
	Q6102 or	RT1N432U-X	DIGI TRANSISTOR		1	
	Q6903	DRC9143X-X	DIGI TRANSISTOR		1	
	Q6903 or	RT1N432U-X	DIGI TRANSISTOR		1	
	Q6904	FK330601-X	MOS FET		1	
	D6003	DB22320-X	SB DIODE		1	
	D6601	DB2J407-X	SB DIODE		1	
	D6901	DA3S103E-X	SI DIODE		1	
	D9002	DZ3S068D-X	Z DIODE		1	
	D9002 or	EMZ6.8N-X	Z DIODE		1	
	D9003	RKZ6.8B2KG-X	Z DIODE		1	
	D9003 or	DZ2J068/M/-X	Z DIODE		1	
	C1004	NCBA1AK-104W	C CAPACITOR	0.1uF 10V K	1	
	C1009	NCBA1AK-104W	C CAPACITOR	0.1uF 10V K	1	
	C1010	NCBA1AK-104W	C CAPACITOR	0.1uF 10V K	1	
	C1022	NCBA1AK-104W	C CAPACITOR	0.1uF 10V K	1	
	C2161	NCBA1CK-153W	C CAPACITOR	0.015uF 16V K	1	
	C2162	NCBA1CK-153W	C CAPACITOR	0.015uF 16V K	1	
	C2163	NCBA1CK-103W	C CAPACITOR	0.01uF 16V K	1	
	C2164	NCBA1CK-103W	C CAPACITOR	0.01uF 16V K	1	
	C2165	NCB31CK-105X	C CAPACITOR	1uF 16V K	1	
	C2166	NCB31CK-105X	C CAPACITOR	1uF 16V K	1	
	C2263	NCBA1CK-103W	C CAPACITOR	0.01uF 16V K	1	
	C2264	NCBA1CK-103W	C CAPACITOR	0.01uF 16V K	1	
	C2361	NCB31CK-105X	C CAPACITOR	1uF 16V K	1	
	C2362	NCBA1CK-104W	C CAPACITOR	0.1uF 16V K	1	
	C2363	NCBA1CK-104W	C CAPACITOR	0.1uF 16V K	1	
	C2462	NCB20JK-106X	C CAPACITOR	10uF 6.3V K	1	
	C2463	NCB20JK-106X	C CAPACITOR	10uF 6.3V K	1	
	C2464	NCB20JK-106X	C CAPACITOR	10uF 6.3V K	1	
	C2465	NCBA1CK-104W	C CAPACITOR	0.1uF 16V K	1	
	C2661	NCB31CK-105X	C CAPACITOR	1uF 16V K	1	
	C2662	NCB31CK-105X	C CAPACITOR	1uF 16V K	1	
	C3001	NCBA1AK-104W	C CAPACITOR	0.1uF 10V K	1	
	C3002	NCBA1AK-104W	C CAPACITOR	0.1uF 10V K	1	
	C3003	NCBA1AK-104W	C CAPACITOR	0.1uF 10V K	1	
	C3007	NCBA1AK-104W	C CAPACITOR	0.1uF 10V K	1	
	C3008	NCBA1AK-104W	C CAPACITOR	0.1uF 10V K	1	
	C3009	NCBA1AK-104W	C CAPACITOR	0.1uF 10V K	1	
	C3011	NCBA1AK-104W	C CAPACITOR	0.1uF 10V K	1	
	C3012	NCBA1AK-104W	C CAPACITOR	0.1uF 10V K	1	
	C3014	NCBA1AK-104W	C CAPACITOR	0.1uF 10V K	1	
	C3015	NCB31CK-104X	C CAPACITOR	0.1uF 16V	1	
	C3016	NCBA1AK-104W	C CAPACITOR	0.1uF 10V K	1	

MODEL	MARK	MODEL	MARK	MODEL	MARK	MODEL	MARK
GZ-E10SEK	A	GZ-E10SEU	B	GZ-E15BEK	C	GZ-E15BEU	D
GZ-E15REK	E	GZ-E15SEK	F				

Safe	Symbol No.	Parts No.	Parts Name	Description	QTY	Local
	C3024	NCBA1AK-104W	C CAPACITOR	0.1uF 10V K	1	
	C3026	NCBA1AK-104W	C CAPACITOR	0.1uF 10V K	1	
	C3028	NCB20JK-106X	C CAPACITOR	10uF 6.3V K	1	
	C3032	NCB31CK-105X	C CAPACITOR	1uF 16V K	1	
	C3041	NCBA1AK-104W	C CAPACITOR	0.1uF 10V K	1	
	C3042	NCBA1AK-104W	C CAPACITOR	0.1uF 10V K	1	
	C3045	NCBA1AK-104W	C CAPACITOR	0.1uF 10V K	1	
	C3047	NRSA6AJ-0R0W	MG RESISTOR	0Ω 1/16W J	1	
	C3048	NRSA6AJ-0R0W	MG RESISTOR	0Ω 1/16W J	1	
	C3050	NCBA1AK-104W	C CAPACITOR	0.1uF 10V K	1	
	C3054	NCB20JK-106X	C CAPACITOR	10uF 6.3V K	1	
	C3059	NCB31CK-105X	C CAPACITOR	1uF 16V K	1	
	C3060	NCBA0JK-224W	C CAPACITOR	0.22uF 6.3V K	1	
	C3072	NCB20JK-106X	C CAPACITOR	10uF 6.3V K	1	
	C3075	NCB20JK-106X	C CAPACITOR	10uF 6.3V K	1	
	C3076	NCBA1AK-104W	C CAPACITOR	0.1uF 10V K	1	
	C3085	NCZ1104-107X	C CAPACITOR	100uF	1	A,F
	C3101	NCBA1AK-104W	C CAPACITOR	0.1uF 10V K	1	
	C3102	NCBA1AK-104W	C CAPACITOR	0.1uF 10V K	1	
	C3103	NCBA1AK-104W	C CAPACITOR	0.1uF 10V K	1	
	C3104	NCBA1AK-104W	C CAPACITOR	0.1uF 10V K	1	
	C3201	NCBA1AK-104W	C CAPACITOR	0.1uF 10V K	1	
	C3461	NCB20JK-106X	C CAPACITOR	10uF 6.3V K	1	
	C3761	NCB31CK-105X	C CAPACITOR	1uF 16V K	1	
	C4604	NCB20JK-106X	C CAPACITOR	10uF 6.3V K	1	
	C6001	NCB20JK-106X	C CAPACITOR	10uF 6.3V K	1	
	C6002	NCB31CK-105X	C CAPACITOR	1uF 16V K	1	
	C6003	NCB31CK-105X	C CAPACITOR	1uF 16V K	1	
	C6004	NCB21CK-225X	C CAPACITOR	2.2uF 16V K	1	
	C6009	NCBA1CK-103W	C CAPACITOR	0.01uF 16V K	1	
	C6010	NCBA1CK-103W	C CAPACITOR	0.01uF 16V K	1	
	C6101	NCB31CK-105X	C CAPACITOR	1uF 16V K	1	
	C6103	NCB20JK-106X	C CAPACITOR	10uF 6.3V K	1	
	C6104	NCB20JK-106X	C CAPACITOR	10uF 6.3V K	1	
	C6105	NCB20JK-106X	C CAPACITOR	10uF 6.3V K	1	
	C6106	NCB31CK-105X	C CAPACITOR	1uF 16V K	1	
	C6108	NCJ20JM-226X-R	C CAPACITOR	22uF 6.3V M	1	A,B,F
	C6109	NCB31CK-105X	C CAPACITOR	1uF 16V K	1	
	C6110	NCB31CK-105X	C CAPACITOR	1uF 16V K	1	
	C6201	NCB20JK-106X	C CAPACITOR	10uF 6.3V K	1	
	C6202	NCB20JK-106X	C CAPACITOR	10uF 6.3V K	1	
	C6203	NCB31CK-105X	C CAPACITOR	1uF 16V K	1	
	C6301	NCB20JK-106X	C CAPACITOR	10uF 6.3V K	1	
	C6302	NCB20JK-106X	C CAPACITOR	10uF 6.3V K	1	
	C6303	NCB31CK-105X	C CAPACITOR	1uF 16V K	1	
	C6401	NCB20JK-106X	C CAPACITOR	10uF 6.3V K	1	
	C6402	NCB20JK-106X	C CAPACITOR	10uF 6.3V K	1	
	C6403	NCB31CK-105X	C CAPACITOR	1uF 16V K	1	
	C6501	NCB20JK-106X	C CAPACITOR	10uF 6.3V K	1	
	C6502	NCB20JK-106X	C CAPACITOR	10uF 6.3V K	1	
	C6503	NCB31CK-105X	C CAPACITOR	1uF 16V K	1	
	C6505	NCJ20JM-226X-R	C CAPACITOR	22uF 6.3V M	1	A,B,F
	C6506	NCJ20JM-226X-R	C CAPACITOR	22uF 6.3V M	1	A,B,F
	C6601	NCB31CK-105X	C CAPACITOR	1uF 16V K	1	
	C6603	NCB21CK-475X	C CAPACITOR	4.7uF 16V K	1	
	C6604	NCB21CK-475X	C CAPACITOR	4.7uF 16V K	1	
	C6901	NCJ20JM-226X-R	C CAPACITOR	22uF 6.3V M	1	A,B,F
	C6903	NCB20JK-475X	C CAPACITOR	4.7uF 6.3V K	1	
	C6904	NCB20JK-475X	C CAPACITOR	4.7uF 6.3V K	1	
	C6905	NCB31CK-105X	C CAPACITOR	1uF 16V K	1	
	C6906	NCBA1AK-104W	C CAPACITOR	0.1uF 10V K	1	
	C6907	NCB31CK-105X	C CAPACITOR	1uF 16V K	1	
	C6910	NCB20JK-475X	C CAPACITOR	4.7uF 6.3V K	1	
	C9001	NCBA1AK-104W	C CAPACITOR	0.1uF 10V K	1	
	C9010	NCB20JK-475X	C CAPACITOR	4.7uF 6.3V K	1	
	C9016	NCBA1AK-104W	C CAPACITOR	0.1uF 10V K	1	
	C9017	NCBA1AK-104W	C CAPACITOR	0.1uF 10V K	1	
	R1002	NRSA6AJ-105W	MG RESISTOR	1MΩ 1/16W J	1	
	R1005	NRSA6AJ-473W	MG RESISTOR	47kΩ 1/16W J	1	
	R1006	NRSA6AJ-102W	MG RESISTOR	1kΩ 1/16W J	1	
	R1011	NRSA6AJ-102W	MG RESISTOR	1kΩ 1/16W J	1	
	R1012	NRSA6AJ-104W	MG RESISTOR	100kΩ 1/16W J	1	
	R1013	NRSA6AJ-102W	MG RESISTOR	1kΩ 1/16W J	1	
	R1014	NRSA6AJ-103W	MG RESISTOR	10kΩ 1/16W J	1	
	R1017	NRSA6AJ-331W	MG RESISTOR	330Ω 1/16W J	1	
	R1018	NRSA6AJ-331W	MG RESISTOR	330Ω 1/16W J	1	
	R1022	NRSA6AJ-103W	MG RESISTOR	10kΩ 1/16W J	1	
	R1028	NRSA6AJ-101W	MG RESISTOR	100Ω 1/16W J	1	
	R1030	NRSA6AJ-102W	MG RESISTOR	1kΩ 1/16W J	1	
	R1032	NRSA6AJ-103W	MG RESISTOR	10kΩ 1/16W J	1	
	R1034	NRSA6AJ-105W	MG RESISTOR	1MΩ 1/16W J	1	
	R1035	NRSA6AJ-104W	MG RESISTOR	100kΩ 1/16W J	1	
	R1053	NRSA6AJ-474W	MG RESISTOR	470kΩ 1/16W J	1	
	R1063	NRSA6AJ-0R0W	MG RESISTOR	0Ω 1/16W J	1	
	R1064	NRSA6AJ-0R0W	MG RESISTOR	0Ω 1/16W J	1	
	R1070	NRSA6AJ-102W	MG RESISTOR	1kΩ 1/16W J	1	
	R1071	NRSA6AJ-102W	MG RESISTOR	1kΩ 1/16W J	1	
	R1073	NRSA6AJ-474W	MG RESISTOR	470kΩ 1/16W J	1	
	R1074	NRSA6AJ-474W	MG RESISTOR	470kΩ 1/16W J	1	
	R1075	NRSA6AJ-474W	MG RESISTOR	470kΩ 1/16W J	1	

MODEL	MARK	MODEL	MARK	MODEL	MARK	MODEL	MARK
GZ-E10SEK	A	GZ-E10SEU	B	GZ-E15BEK	C	GZ-E15BEU	D
GZ-E15REK	E	GZ-E15SEK	F				

Safe	Symbol No.	Parts No.	Parts Name	Description	QTY	Local
	R1076	NRSA6AJ-474W	MG RESISTOR	470kΩ 1/16W J	1	
	R1077	NRSA6AJ-474W	MG RESISTOR	470kΩ 1/16W J	1	
	R1078	NRSA6AJ-474W	MG RESISTOR	470kΩ 1/16W J	1	
	R1080	NRSA6AJ-474W	MG RESISTOR	470kΩ 1/16W J	1	
	R1082	NRSA6AJ-474W	MG RESISTOR	470kΩ 1/16W J	1	
	R1083	NRSA6AJ-103W	MG RESISTOR	10kΩ 1/16W J	1	
	R1084	NRSA6AJ-224W	MG RESISTOR	220kΩ 1/16W J	1	
	R1085	NRSA6AJ-0R0W	MG RESISTOR	0Ω 1/16W J	1	
	R1090	NRSA6AJ-0R0W	MG RESISTOR	0Ω 1/16W J	1	
	R1094	NRSA6AJ-474W	MG RESISTOR	470kΩ 1/16W J	1	
	R1095	NRSA6AJ-474W	MG RESISTOR	470kΩ 1/16W J	1	
	R2161	NRSA6AJ-222W	MG RESISTOR	2.2kΩ 1/16W J	1	
	R2162	NRSA6AJ-222W	MG RESISTOR	2.2kΩ 1/16W J	1	
	R2462	NRSA6AJ-472W	MG RESISTOR	4.7kΩ 1/16W J	1	
	R2463	NRSA6AJ-183W	MG RESISTOR	18kΩ 1/16W J	1	
	R2464	NRSA6AJ-100W	MG RESISTOR	10Ω 1/16W J	1	
	R2661	NRSA6AJ-821W	MG RESISTOR	820Ω 1/16W J	1	
	R2662	NRSA6AJ-821W	MG RESISTOR	820Ω 1/16W J	1	
	R2663	NRSA6AJ-564W	MG RESISTOR	560kΩ 1/16W J	1	
	R2664	NRSA6AJ-564W	MG RESISTOR	560kΩ 1/16W J	1	
	R3002	NRSA6AJ-102W	MG RESISTOR	1kΩ 1/16W J	1	
	R3004	NRSA6AJ-223W	MG RESISTOR	22kΩ 1/16W J	1	
	R3005	NRSA6AJ-223W	MG RESISTOR	22kΩ 1/16W J	1	
	R3008	NRSA6AJ-101W	MG RESISTOR	100Ω 1/16W J	1	
	R3009	NRSA6AJ-101W	MG RESISTOR	100Ω 1/16W J	1	
	R3020	NRSA6AD-512W	MG RESISTOR	5.1kΩ 1/16W D	1	
	R3021	NRSA6AD-123W	MG RESISTOR	12kΩ 1/16W D	1	
	R3022	NRSA6AD-151W	MG RESISTOR	150Ω 1/16W D	1	
	R3023	NRSA6AD-153W	MG RESISTOR	15kΩ 1/16W D	1	
	R3024	NRSA6AD-113W	MG RESISTOR	11kΩ 1/16W D	1	
	R3025	NRSA6AD-332W	MG RESISTOR	3.3kΩ 1/16W D	1	
	R3028	NRSA6AJ-680W	MG RESISTOR	68Ω 1/16W J	1	
	R3031	NRSA6AJ-101W	MG RESISTOR	100Ω 1/16W J	1	
	R3032	NRSA6AJ-101W	MG RESISTOR	100Ω 1/16W J	1	
	R3033	NRSA6AJ-101W	MG RESISTOR	100Ω 1/16W J	1	
	R3034	NRSA6AJ-101W	MG RESISTOR	100Ω 1/16W J	1	
	R3035	NRSA6AJ-101W	MG RESISTOR	100Ω 1/16W J	1	
	R3036	NRSA6AJ-101W	MG RESISTOR	100Ω 1/16W J	1	
	R3048	NRSA6AJ-273W	MG RESISTOR	27kΩ 1/16W J	1	
	R3052	NRSA6AJ-222W	MG RESISTOR	2.2kΩ 1/16W J	1	
	R3053	NRSA6AJ-222W	MG RESISTOR	2.2kΩ 1/16W J	1	
	R3054	NRSA6AJ-222W	MG RESISTOR	2.2kΩ 1/16W J	1	
	R3057	NRSA6AJ-222W	MG RESISTOR	2.2kΩ 1/16W J	1	
	R3058	NRSA6AJ-473W	MG RESISTOR	47kΩ 1/16W J	1	
	R3061	NRSA6AJ-0R0W	MG RESISTOR	0Ω 1/16W J	1	
	R3065	NRSA6AJ-100W	MG RESISTOR	10Ω 1/16W J	1	
	R3069	NRSA6AJ-102W	MG RESISTOR	1kΩ 1/16W J	1	
	R3075	NRSA6AJ-0R0W	MG RESISTOR	0Ω 1/16W J	1	
	R3076	NRSA6AJ-0R0W	MG RESISTOR	0Ω 1/16W J	1	
	R3079	NRSA6AJ-100W	MG RESISTOR	10Ω 1/16W J	1	
	R3081	NRSA6AJ-100W	MG RESISTOR	10Ω 1/16W J	1	
	R3096	NRSA6AJ-0R0W	MG RESISTOR	0Ω 1/16W J	1	
	R3097	NRSA6AJ-102W	MG RESISTOR	1kΩ 1/16W J	1	
	R3098	NRSA6AJ-100W	MG RESISTOR	10Ω 1/16W J	1	
	R3128	NRSA6AJ-152W	MG RESISTOR	1.5kΩ 1/16W J	1	
	R3129	NRSA6AJ-153W	MG RESISTOR	15kΩ 1/16W J	1	
	R3130	NRSA6AJ-153W	MG RESISTOR	15kΩ 1/16W J	1	
	R3131	NRSA6AJ-393W	MG RESISTOR	39kΩ 1/16W J	1	
	R3132	NRSA6AJ-393W	MG RESISTOR	39kΩ 1/16W J	1	
	R3133	NRSA6AJ-473W	MG RESISTOR	47kΩ 1/16W J	1	
	R3134	NRSA6AJ-222W	MG RESISTOR	2.2kΩ 1/16W J	1	
	R3135	NRSA6AJ-222W	MG RESISTOR	2.2kΩ 1/16W J	1	
	R3246	NRSA6AD-750W	MG RESISTOR	75Ω 1/16W D	1	
	R4606	NRSA6AJ-331W	MG RESISTOR	330Ω 1/16W J	1	
	R4607	NRSA6AJ-331W	MG RESISTOR	330Ω 1/16W J	1	
	R4608	NRSA6AJ-121W	MG RESISTOR	120Ω 1/16W J	1	
	R4609	NRSA6AJ-121W	MG RESISTOR	120Ω 1/16W J	1	
	R4680	NRSA6AJ-103W	MG RESISTOR	10kΩ 1/16W J	1	
	R6002	NRSA6AD-624W	MG RESISTOR	620kΩ 1/16W D	1	
	R6006	NRSA6AD-434W	MG RESISTOR	430kΩ 1/16W D	1	
	R6007	NRSA6AD-684W	MG RESISTOR	680kΩ 1/16W D	1	
	R6008	NRSA6AD-564W	MG RESISTOR	560kΩ 1/16W D	1	
	R6103	NRSA6AJ-104W	MG RESISTOR	100kΩ 1/16W J	1	
	R6107	NRSA63J-0R0X	MG RESISTOR	0Ω 1/10W J	1	
	R6114	NRSA6AJ-185W	MG RESISTOR	1.8MΩ 1/16W J	1	
	R6306	NRSA02J-0R0X	MG RESISTOR	0Ω 1/10W J	1	
	R6307	NRSA63J-0R0X	MG RESISTOR	0Ω 1/10W J	1	
	R6504	NRSA6AD-124W	MG RESISTOR	120kΩ 1/16W D	1	
	R6505	NRSA6AD-364W	MG RESISTOR	360kΩ 1/16W D	1	
	R6506	NRSA6AD-153W	MG RESISTOR	15kΩ 1/16W D	1	
	R6606	NRSA6AD-100W	MG RESISTOR	10Ω 1/16W D	1	
	R6901	NRSA6AD-103W	MG RESISTOR	10kΩ 1/16W D	1	
	R6902	NRSA6AD-152W	MG RESISTOR	1.5kΩ 1/16W D	1	
	R6903	NRSA6AD-133W	MG RESISTOR	13kΩ 1/16W D	1	
	R6913	NRSA6AD-622W	MG RESISTOR	6.2kΩ 1/16W D	1	
	R6914	NRSA6AJ-0R0W	MG RESISTOR	0Ω 1/16W J	1	
	R6922	NRSA6AJ-105W	MG RESISTOR	1MΩ 1/16W J	1	
	R9001	NRSA6AJ-682W	MG RESISTOR	6.8kΩ 1/16W J	1	
	R9002	NRSA6AJ-223W	MG RESISTOR	22kΩ 1/16W J	1	
	R9003	NRSA6AJ-104W	MG RESISTOR	100kΩ 1/16W J	1	
	R9004	NRSA6AJ-104W	MG RESISTOR	100kΩ 1/16W J	1	
	R9011	NRSA6AJ-101W	MG RESISTOR	100Ω 1/16W J	1	

MODEL	MARK	MODEL	MARK	MODEL	MARK	MODEL	MARK
GZ-E10SEK	A	GZ-E10SEU	B	GZ-E15BEK	C	GZ-E15BEU	D
GZ-E15REK	E	GZ-E15SEK	F				

Safe	Symbol No.	Parts No.	Parts Name	Description	QTY	Local
	R9012	NRSA6AJ-101W	MG RESISTOR	100Ω 1/16W J	1	
	R9013	NRSA6AJ-101W	MG RESISTOR	100Ω 1/16W J	1	
	R9014	NRSA6AJ-0R0W	MG RESISTOR	0Ω 1/16W J	1	
	R9015	NRSA6AJ-101W	MG RESISTOR	100Ω 1/16W J	1	
	R9016	NRSA6AJ-101W	MG RESISTOR	100Ω 1/16W J	1	
	R9017	NRSA6AJ-0R0W	MG RESISTOR	0Ω 1/16W J	1	
	R9018	NRSA6AJ-103W	MG RESISTOR	10kΩ 1/16W J	1	
	R9019	NRSA6AJ-0R0W	MG RESISTOR	0Ω 1/16W J	1	
	R9043	NRSA6AJ-0R0W	MG RESISTOR	0Ω 1/16W J	1	
	R9507	NRSA6AJ-472W	MG RESISTOR	4.7kΩ 1/16W J	1	
	RA1001	NRB04CJ-103W	NET RESISTOR	10kΩ J	1	
	RA1002	NRB04CJ-102W	NET RESISTOR	1kΩ J	1	
	RA3002	NRB04CJ-100W	NET RESISTOR	10Ω J	1	
	RA3003	NRB04CJ-100W	NET RESISTOR	10Ω J	1	
	RA3004	NRB04CJ-0R0W	NET RESISTOR	0Ω J	1	
	RA3008	NRB04CJ-0R0W	NET RESISTOR	0Ω J	1	
	RA3009	NRB04CJ-102W	NET RESISTOR	1kΩ J	1	
	RA3010	NRB04CJ-0R0W	NET RESISTOR	0Ω J	1	
	RA3011	NRB04CJ-472W	NET RESISTOR	4.7kΩ J	1	
	RA9001	NRB04CJ-473W	NET RESISTOR	47kΩ J	1	
	L2461	NQLJ93M-100X	COIL	10uH M	1	
	L2462	NQLJ93M-100X	COIL	10uH M	1	
	L3001	NQR0679-003X	CHOKE COIL		1	
	L3002	NQR0679-003X	CHOKE COIL		1	
	L3003	NRSA63J-0R0X	MG RESISTOR	0Ω 1/10W J	1	A,F
	L3461	NQLJ93M-100X	COIL	10uH M	1	
	L4601	NQR0573-005X	FERRITE BEADS		1	
	L6101	NQLG4EN-2R3X	COIL	2.3uH N	1	
	L6201	NQLK25N-2R2X	COIL	2.2uH N	1	
	L6301	NQLG4EN-2R3X	COIL	2.3uH N	1	
	L6401	NQLK25N-4R7X	COIL	4.7uH N	1	
	L6501	NQLJ5EM-2R2X	P COIL	2.2uH M	1	
	L6601	NQLJ5EM-100X	P COIL	10uH M	1	
	L9001	NQR0654-001X	EMI FILTER		1	
	L9002	NQR0022-004X	FERRITE BEADS		1	
	CN4602	QGF0543F3-14X	CONNECTOR	FFC/FPC (1-14)	1	
	CN9001	QGF0574F1-40X	CONNECTOR	FFC/FPC (1-40)	1	
	CN9002	QGF0534F5-06X	CONNECTOR	FFC/FPC (1-6)	1	
	CN9003	QGB0519J1-30X	CONNECTOR	B-B (1-30)	1	
	CN9004	QGF0543F3-18X	CONNECTOR	FFC/FPC (1-18)	1	
	CN9007	QGA1001F1-02X	CONNECTOR	W-B (1-2)	1	
	CN9008	QGF0543F3-06X	CONNECTOR	FFC/FPC (1-6)	1	
	CN9009	NNZ0255-001X	SD CARD CONNE		1	
	CN9012	QGF0574F1-34X	CONNECTOR	FFC/FPC (1-34)	1	
	CN9013	QGF0543F3-24X	CONNECTOR	FFC/FPC (1-24)	1	
	CN9014	QGF0543F3-15X	CONNECTOR	FFC/FPC (1-15)	1	
△	F6003	NMFZ007-R50X-K	FUSE	0.5A 50V	1	
	K2101	NRSA6AJ-0R0W	MG RESISTOR	0Ω 1/16W J	1	
	K2102	NRSA6AJ-0R0W	MG RESISTOR	0Ω 1/16W J	1	
	K2103	NRSA6AJ-0R0W	MG RESISTOR	0Ω 1/16W J	1	
	K3001	NQR0499-001X	FERRITE BEADS		1	
	K3002	NQR0499-001X	FERRITE BEADS		1	
	K3004	NQR0154-004X	FERRITE CORE		1	
	K3006	NQR0286-009X	FERRITE BEADS		1	
	K9001	NQR0286-009X	FERRITE BEADS		1	
	LC3001	NQR0652-001X	EMI FILTER		1	
	TH9001	NAD0048-473X	N THERMISTOR	47kΩ	1	
	TP9004	NNZ0163-001X	EARTH TERMINAL		1	
	X1001	NAX0491-001X	CRYSTAL	32.768kHz	1	
	X3001	NAX1118-001X	C RESONATOR		1	
REAR BOARD ASSEMBLY <02>						
	PW601	LYA20111-01A3	REAR BOARD ASSY		1	
	IC601	XC6215B332NG-X	IC		1	
	IC901	NAL0105-001X	GYRO SENSOR		1	
	D601	DZ2J068/M/-X	Z DIODE		1	
	D604	DZ2J068/M/-X	Z DIODE		1	
	D605	DZ2J068/M/-X	Z DIODE		1	
	D606	DB2J314-X	SB DIODE		1	
	D609	DB22320-X	SB DIODE		1	
	D611	LNJ326W83-X	LED	ACCESS/GREEN	1	
	D612	SML-D12V8W/PQ-X	LED	POWER/CHARGE/RED	1	
	C603	NCBA1HK-102W	C CAPACITOR	1000pF 50V K	1	
	C604	NCBA1HK-102W	C CAPACITOR	1000pF 50V K	1	
	C607	NCBA1AK-104W	C CAPACITOR	0.1uF 10V K	1	
	C609	NCB31CK-105X	C CAPACITOR	1uF 16V K	1	
	C610	NCB31CK-105X	C CAPACITOR	1uF 16V K	1	
	C901	NCBA1CK-473W	C CAPACITOR	0.047uF 16V K	1	
	C902	NCBA1CK-473W	C CAPACITOR	0.047uF 16V K	1	
	C903	NCBA1CK-104W	C CAPACITOR	0.1uF 16V K	1	
	C904	NCBA1HK-222W	C CAPACITOR	2200pF 50V K	1	
	C905	NCBA1HK-222W	C CAPACITOR	2200pF 50V K	1	
	C906	NCBA1CK-104W	C CAPACITOR	0.1uF 16V K	1	
	C907	NCBA1CK-104W	C CAPACITOR	0.1uF 16V K	1	
	R601	NRSA6AJ-101W	MG RESISTOR	100Ω 1/16W J	1	
	R602	NRSA6AJ-101W	MG RESISTOR	100Ω 1/16W J	1	
△	R610	NRSA6AJ-471W	MG RESISTOR	470Ω 1/16W J	1	
	R693	NRSA6AJ-682W	MG RESISTOR	6.8kΩ 1/16W J	1	
	R694	NRSA6AJ-153W	MG RESISTOR	15kΩ 1/16W J	1	
	R695	NRSA6AJ-473W	MG RESISTOR	47kΩ 1/16W J	1	
	R902	NRSA6AJ-470W	MG RESISTOR	47Ω 1/16W J	1	
	R905	NRSA6AJ-470W	MG RESISTOR	47Ω 1/16W J	1	

MODEL	MARK	MODEL	MARK	MODEL	MARK	MODEL	MARK
GZ-E10SEK	A	GZ-E10SEU	B	GZ-E15BEK	C	GZ-E15BEU	D
GZ-E15REK	E	GZ-E15SEK	F				

Safe	Symbol No.	Parts No.	Parts Name	Description	QTY	Local
	L601	NRSA6AJ-0R0W	MG RESISTOR	0Ω 1/16W J	1	
	L602	NQR0645-001X	FERRITE BEADS		1	
	L603	NQR0645-001X	FERRITE BEADS		1	
	BT601	QNA0060-001	EXT BATT JACK		1	
△	BT602	QAB0088-001	LITHIUM BATTERY		1	
	CN601	QGF0574F1-40X	CONNECTOR	FFC/FPC (1-40)	1	
△	F601	NMFZ028-2R5X-J1	FUSE	2.5A	1	
△	F602	NMFZ028-2R5X-J1	FUSE	2.5A	1	
	J601	QNS0297-001X	3.5 JACK		1	
	J602	QNA0059-001X	DC JACK		1	
	K901	NQR0129-002X	FERRITE BEADS		1	
	S691	NSW0323-001X	TACT SWITCH		1	
	S692	NSW0323-001X	TACT SWITCH		1	
	S693	NSW0323-001X	TACT SWITCH		1	
	S694	NSW0323-001X	TACT SWITCH		1	
JACK BOARD ASSEMBLY <03>						
	PW201	LYA20111-01A1	JACK BOARD ASSY		1	
	CN201	QGF0543F3-18X	CONNECTOR	FFC/FPC (1-18)	1	
	CN203	QGF0543F3-15X	CONNECTOR	FFC/FPC (1-15)	1	
△	F201	NMFZ028-2R5X-J1	FUSE	2.5A	1	
	J201	NNZ0212-001X	HDMI CONNECTOR		1	
	J203	NNZ0251-001X	USB CONNECTOR		1	
	S201	NSW0323-001X	TACT SWITCH		1	
MONITOR BOARD ASSEMBLY <04>						
	PW701	LYA20111-01A2	MONITOR BOARD ASSY		1	
	IC722	HGDESM031A-X	IC		1	
	D721	SWCA07/A/-X	LED		1	
	D722	SWCA07/A/-X	LED		1	
	D723	SWCA07/A/-X	LED		1	
	C709	NCB31CK-105X	C CAPACITOR	1uF 16V K	1	
	C711	NCB31CK-105X	C CAPACITOR	1uF 16V K	1	
	C712	NCB31CK-105X	C CAPACITOR	1uF 16V K	1	
	C713	NCJA0JK-105W-A	C CAPACITOR	1uF 6.3V K	1	
	C721	NCB31CK-105X	C CAPACITOR	1uF 16V K	1	
	C746	NCB21EK-105X	C CAPACITOR	1uF 25V K	1	
	C747	NCB21EK-105X	C CAPACITOR	1uF 25V K	1	
	C748	NCB31CK-105X	C CAPACITOR	1uF 16V K	1	
	C749	NCB31CK-105X	C CAPACITOR	1uF 16V K	1	
	C750	NCB21CK-225X	C CAPACITOR	2.2uF 16V K	1	
	C752	NCB31CK-105X	C CAPACITOR	1uF 16V K	1	
	C753	NCB31CK-105X	C CAPACITOR	1uF 16V K	1	
	C754	NCB31CK-105X	C CAPACITOR	1uF 16V K	1	
	C755	NCB31CK-105X	C CAPACITOR	1uF 16V K	1	
	C756	NCB31CK-105X	C CAPACITOR	1uF 16V K	1	
	C757	NCB31CK-105X	C CAPACITOR	1uF 16V K	1	
	CN701	QGF0574F1-34X	CONNECTOR	FFC/FPC (1-34)	1	
	CN702	QGF0319F1-39X	CONNECTOR	FFC/FPC (1-39)	1	
	K709	NRSA6AJ-0R0W	MG RESISTOR	0Ω 1/16W J	1	