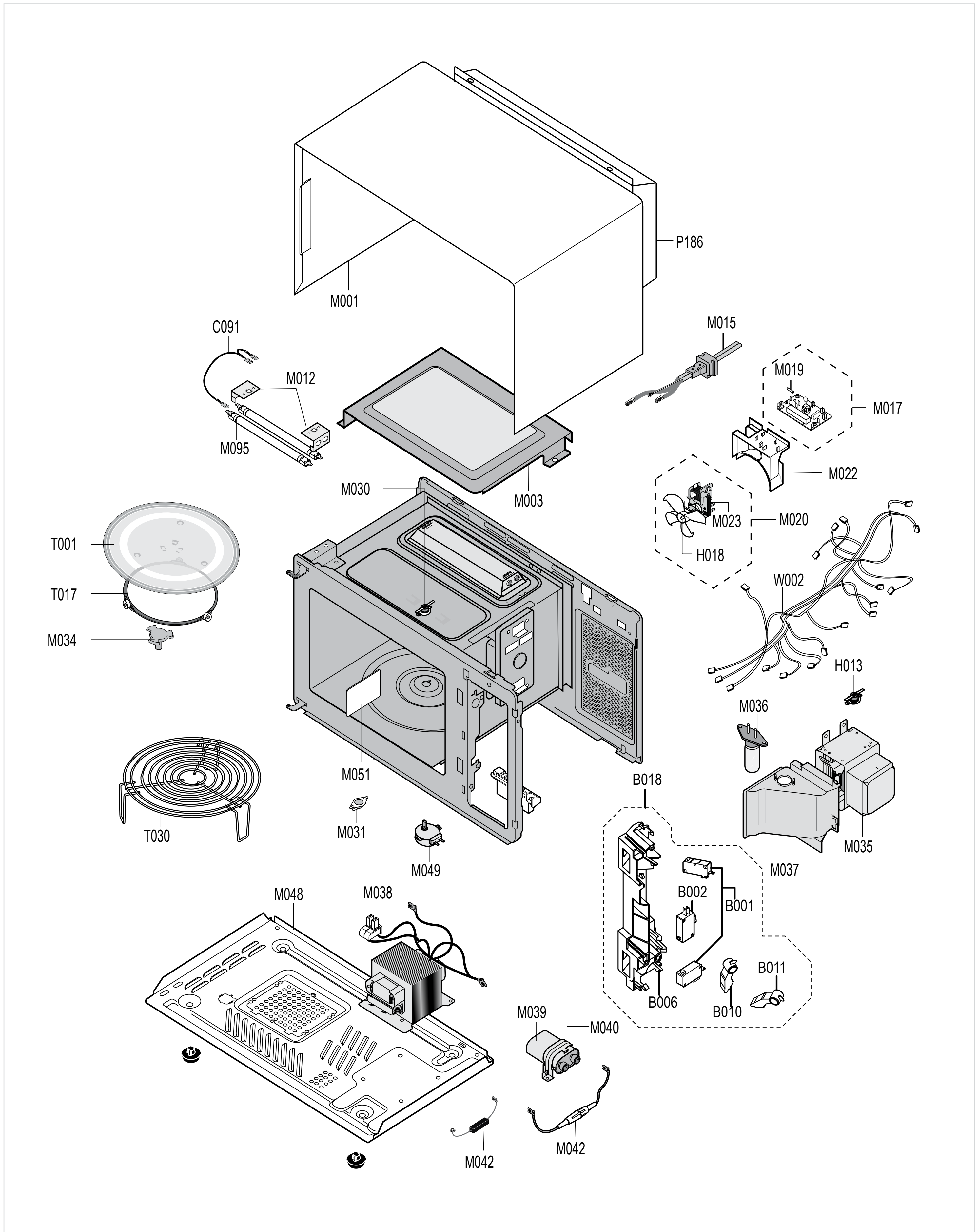


5-1 Exploded Views



5. Exploded Views and Parts List

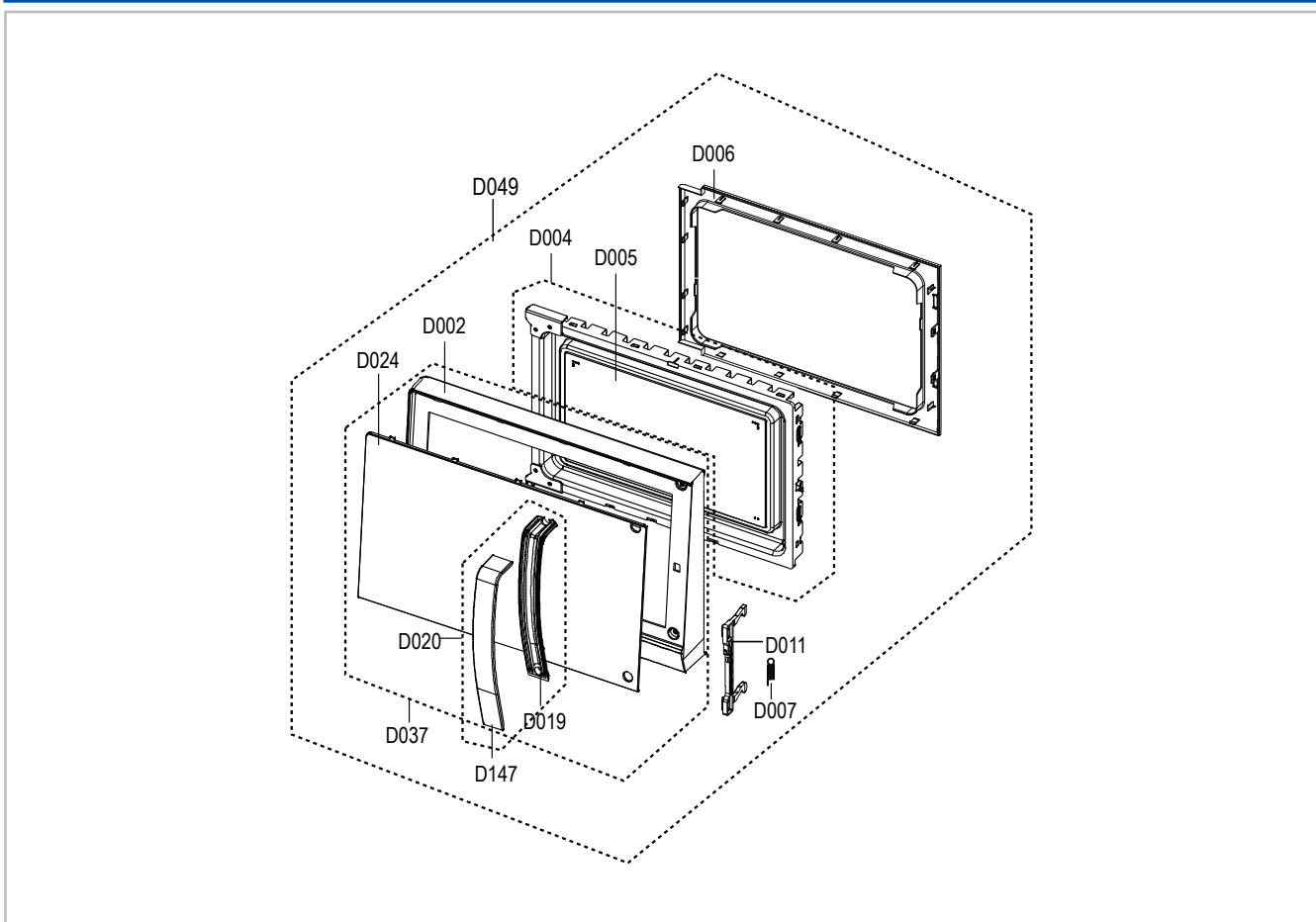
5-2 Main Parts List

(S.N.A : SERVICE NOT AVAILABLE)

No.	Code No.	Description	Specification	Q'ty	SA/SNA	Remark
B001	3405-001034	SWITCH-MICRO	125/250VAC,16A,200GF,SPST-N	2	SA	ASSY BODY LATCH
B002	3405-001032	SWITCH-MICRO	125/250VAC,16A,200GF,SPDT	1	SA	ASSY BODY LATCH
B006	DE72-00137B	LATCH-BODY	PG113R,NYLON,WHT,-,-,-,-	1	SA	-
B010	DE66-00093A	LEVER SWITCH (A)	NC2000 PP-TH53 NTR HA	1	SA	-
B011	DE66-00094A	LEVER-SWITCH(B)	NC2000,PP-TH53,-,-,-,-,N	1	SA	-
B018	DE96-00120B	ASSY BODY LATCH	M1717N NC2000 (HANDLE)	1	SA	-
C091	DE39-30097B	LEAD WIRE-G	L100,MBQ45,GRILL,-,-,-,-	1	SA	-
H013	DE47-20009A	THERMOSTAT	PW2N-520PB,160/60,250V/7.5A,H	1	SA	MGT
H018	DE31-90057A	BLADE-FAN	PP,T1.5,-,3RD-W,-,-,-	1	SA	-
M001	DE64-01177G	PANEL-OUTER	MW81P-X,C/STEEL,T0.5,-,-,-,G	1	SA	-
M003	DE61-00263B	BRACKET-UPPER	QUARTZ,NC2000,SECC,T0.4,W2	1	SA	-
M012	DE61-00265A	BRACKET-HEATER	N7Q88,ALSTAR,T0.5,W49.5,L	2	SNA	-
M015	DE96-00385F	ASSY POWER CORD	CEE,EU,250V/16A,1500MM,3	1	SA	-
M017	DE96-00010C	ASSY NOISE FILTER	SN-3WED(12),250V12A,EU	1	SA	-
M019	3601-001019	FUSE-CARTRIDGE	250V,12A,SLOW-BLOW,CERAMI	1	SA	-
M020	DE96-00031A	ASSY-MOTOR FAN	SMF-3RDEA,230V50HZ,2400RP	1	SA	-
M022	DE71-00148A	COVER-BLOWER	PP,T1.5NTR MW850WA NC2000	1	SA	-
M023	DE31-10184A	MOTOR-FAN	SMF-3RDEA,230V50Hz,2400rpm,3rd	1	SA	-
M030	DE47-20032B	THERMOSTAT	PW2N,-,-,30,0,85/75,-,-,-,187	1	SA	GRILL
M031	DE47-00002B	THERMOSTAT	PW2N,-,-,100,110,-,-,-,187H,3	1	SA	CAVITY
M034	DE67-00140A	COUPLER	PPS,(ESS840),3G,BRN,NEW	1	SA	-
M035	OM75S(31)ESGN	ASSY-MGT		1	SA	-
M036	4713-001046	LAMP-INCANDESCENT	240V,104mA,25W,ORG,-,-	1	SA	CV/AIR
M037	DE71-60457C	COVER-AIR	3RD-0.7(BTM),PP(FB53 G30),-,-,-	1	SA	-
M038	DE26-00099A	TRANS H.V	SHV-EURO1-1,230V,50HZ,2330V,3.	1	SA	-
M039	2501-001011	C-OIL	910nF,2100V,BK,54x35x75mm,20mm	1	SA	-
M040	DE61-00139A	BRACKET-HVC	NC2000,SECC,T0.8,-,-,-,0.6/0	1	SA	-
M042	DE59-00002A	DIODE-H.V	2CL4512H,450mA, 13KV,MWO ALL,	1	SA	-
M042	DE91-70061J	ASSY-H.V.FUSE	THV060T-0650-H,5KV0.65A,WL	1	SA	-
M048	DE80-00023A	BASE PLATE	SGCC T0.6 MW850WA NC2000	1	SA	-
M049	DE31-10154D	MOTOR SYNCHRONOUS	ST-16EX73MAAA,CMO,-,FR	1	SA	-
M051	DE71-00151A	COVER MGT	PP,T2,W54,L129,GE-WHTMW850WA	1	SA	-
M095	DE47-00024A	HEATER	SHQ-E2712A,-,-,450W,-,115V,280	2	SA	-
P186	DE71-60298C	COVER-BACK	M6Q45,SECC,T0.4,W279,L373,-,-	1	SNA	-
T001	DE74-00027A	TRAY-COOKING	GLASS,T5,-,NC2000	1	SA	-
T017	DE97-00193B	ASSY-GUIDE ROLLER	NC2000 0.6,T2*P1198(14	1	SA	-
T030	DE74-70071F	RACK-WIRE	0.7CU.FT,MSWR10,T2.5 / 3.5,PI2	1	SA	-
W002	DE96-00227B	ASSY-WIRE HARNESS A	G273VR/BWT,230V50HZ	1	SA	-

5. Exploded Views and Parts List

5-3 Door Part List

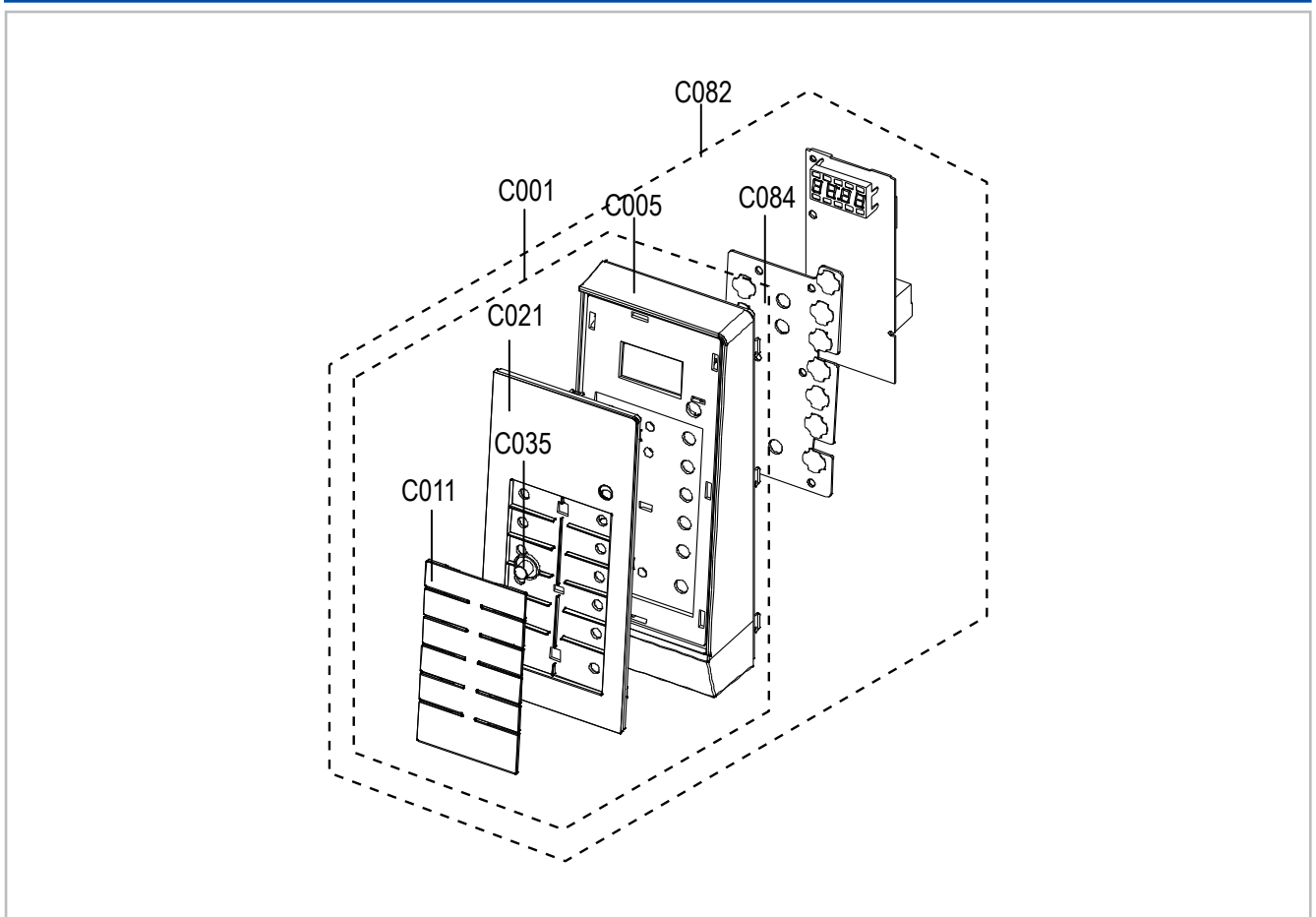


(S.N.A : SERVICE NOT AVAILABLE)

No.	Code No.	Description	Specification	Q'ty	SA/ SNA	Remark
D002	DE64-02184A	DOOR-A	MUSE0.8,ABS(HG0760SR),-,,-,-,	1	SA	-
D004	DE92-50133C	ASSY DOOR-E	MW4593G,-,BLK,3RD-0.7,-,-,-	1	SA	-
D005	DE01-00112A	FILM-DOOR	-,PET,-,L268,T0.15,W150,NTR,-,	1	SA	-
D006	DE64-40008B	DOOR-C	-,PP,CE745G,-,-,-,BLK,-	1	SA	-
D007	DE61-00198B	SPRING ETC-KEY	ES-JJ215/216,HSWR,PI0.7,D	1	SA	-
D011	DE64-00264A	DOOR-KEY	3RD-W,NEW,POM,-,BLK,-,-,-,	1	SA	-
D019	DE64-02186A	HANDLE DOOR	MUSE0.8,ABS,-,-,-,-,WHITE,-	1	SNA	-
D020	DE94-02042A	ASSY HANDLE	MW82N-X/XEF,HANDLE-BLK, COVE	1	SA	-
D024	DE64-02185A	SCREEN-DOOR(B)	MUSE0.8,SAN,-,-,-,-,BLACK	1	SA	-
D037	DE94-02026A	ASSY DOOR A	MW82N-X/XEF,-,WHITE CONTROL,	1	SNA	-
D049	DE94-02033B	ASSY DOOR	GW72N/XET,ABS,WHT,0.7 TACT	1	SNA	-
D147	DE63-00592A	COVER HANDLE	MUSE0.8,ABS(HG0760SR),-,,-,-	1	SNA	-

5. Exploded Views and Parts List

5-4 Control Part List



(S.N.A : SERVICE NOT AVAILABLE)

No.	Code No.	Description	Specification	Q'ty	SA/ SNA	Remark
C001	DE94-02034H	ASSY CONTROL PANEL	GW76N,WHITE,ABS,0.7 M	1	SA	-
C005	DE64-02191A	CONTROL-PANEL	MW86N,ABS(HG0760SR),-,-,-,	1	SA	-
C011	DE64-02193A	BUTTON-SELECT(A)	GW76N,PC(LEXAN141R),-,-	1	SA	-
C021	DE63-00594A	COVER-PANEL	GW76N,SAN,-,-,-,-,BLACK,-	1	SNA	-
C035	DE64-02179A	BUTTON-CLOCK	MUSE,ABS(HG0760SR),-,-,WHIT	1	SA	-
C035	DE64-02179A	BUTTON-CLOCK	MUSE,ABS(HG0760SR),-,-,WHIT	1	SA	-
C082	DE94-02035E	ASSY CONTROL BOX	GW76N/XEO,WHITE,ABS,0.7	1	SNA	-
C084	DE96-00769B	ASSY KEY MODULE	GW76N,DKM-GE86N-01,0.7 M	1	SA	-

5. Exploded Views and Parts List

5-5 Standard Parts List

(S.N.A : SERVICE NOT AVAILABLE)

Level	Code No.	Description	Specification	Q'ty	SA/ SNA	Remark
1-1	6002-001250	SCREW-TAPPING	TH,+,2,M4,L8,Tin-Ni,SWRC18	3	SNA	B/HEATER,O/PANEL
1-1	6002-001325	SCREW-TAPPING	TH,TORX,2S,M4,L12,ZPC(YEL)	1	SA	C-BACK
1-1	6006-001170	SCREW-ASSY TAPP	WS,TH,+,M4,L10,ZPC(YEL)	3	SA	N/F EARTH&BKT UPPER,P/C EARTH,PCB EARTH
1-1	6006-001176	SCREW-ASSY TAPT	WT,PH,+,M4,L8,ZPC(YEL)	4	SNA	BKT HVC + HV DIODE,CVT TCO,MGT-TCO
1-1	DE60-10051A	SCREW-TAP PH	-,MSWR,PH,M4,-,L6,-,-	1	SA	DRIVE MOTOR
1-1	DE60-10080A	SCREW-WASHER	-,M5,L12,-,2S,-,-	5	SA	HVT,MGT
1-1	DE60-10082I	SCREW-A	-,M4,L10,FEFZY,-,-,-,-	12	SA	BASE PLATE,BODY LATCH,C/BOX,COVER AIR,COVER BLOWER,O/PANEL
1-1	DE60-30016A	NUT-FLANGE	M4,MSWR10,-,-,-,-,-,-	2	SA	F-MOTOR
1-3	6002-000643	SCREW-TAPPING	TH,+,2S,M4,L10,ZPC(YEL),SW	2	SNA	HANDLE
1-2	6002-000630	SCREW-TAPPING	PH,+,2S,M3,L8,ZPC(YEL),SWR	2	SNA	ASSY PCB
1-3	6002-000630	SCREW-TAPPING	PH,+,2S,M3,L8,ZPC(YEL),SWR	8	SNA	-