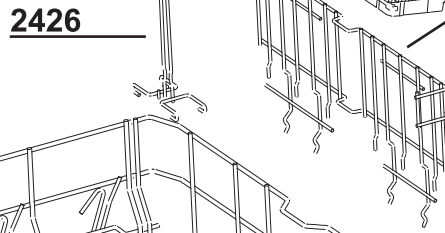
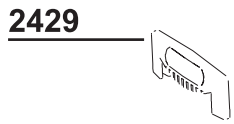
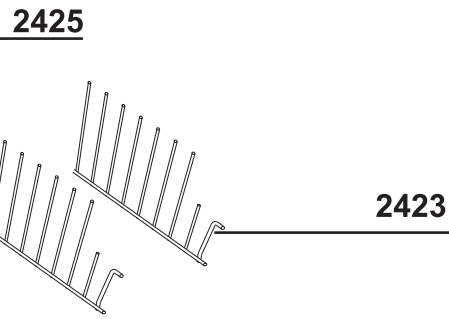
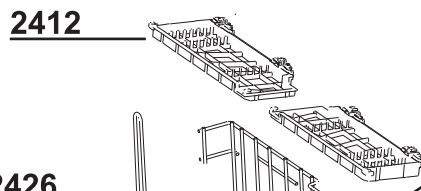
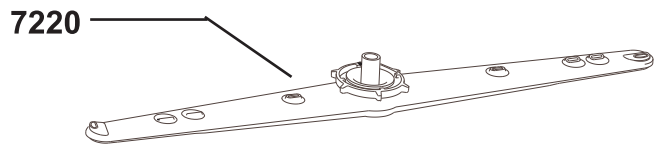
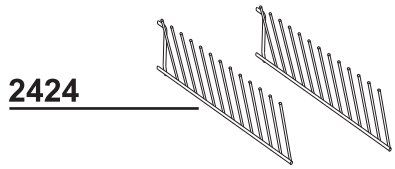
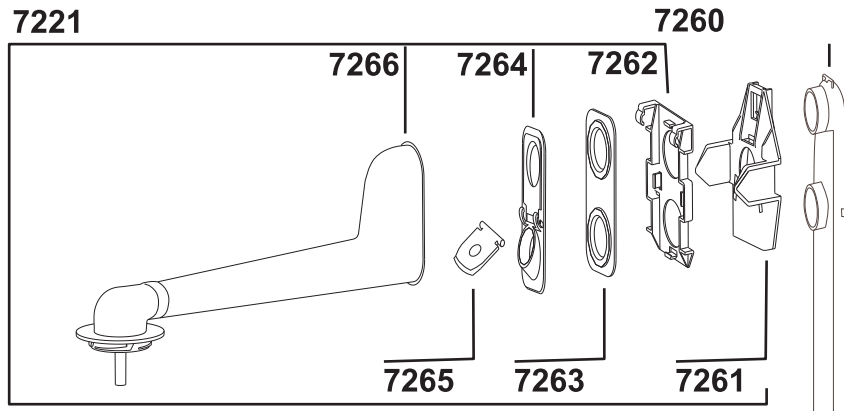
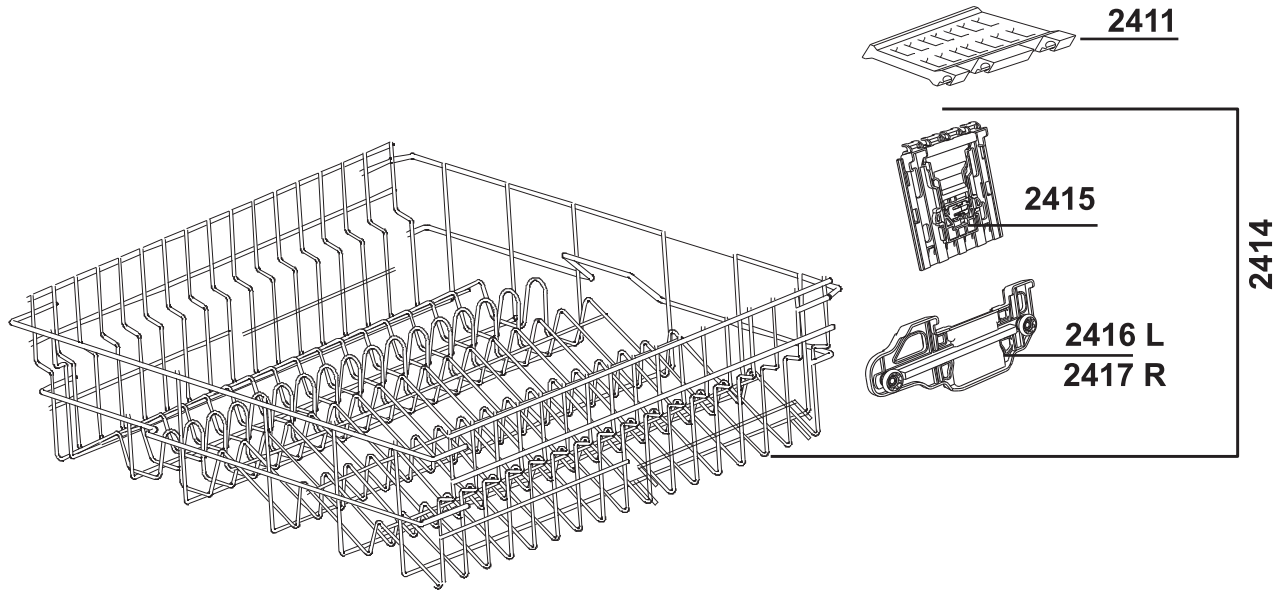
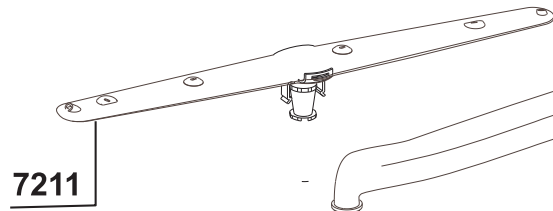
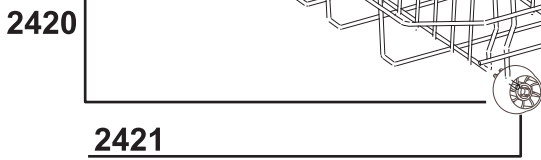


| | | | | |
|--------------------------|------------|--------|-------|--|
| R | Date/Tarih | Rev No | | |
| Main Body Gövde Grubu | | | Çizen | |
| 18 9981 1673 | | | Onay | |

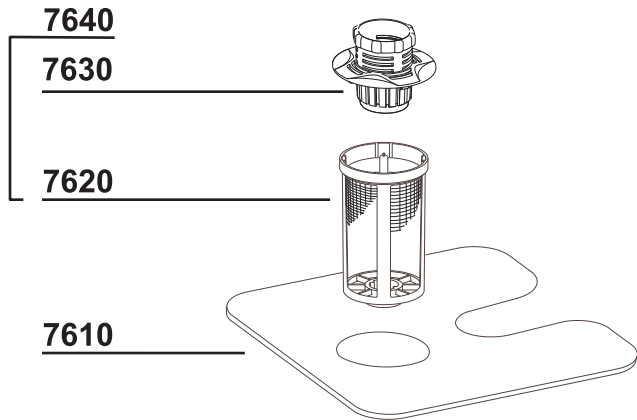
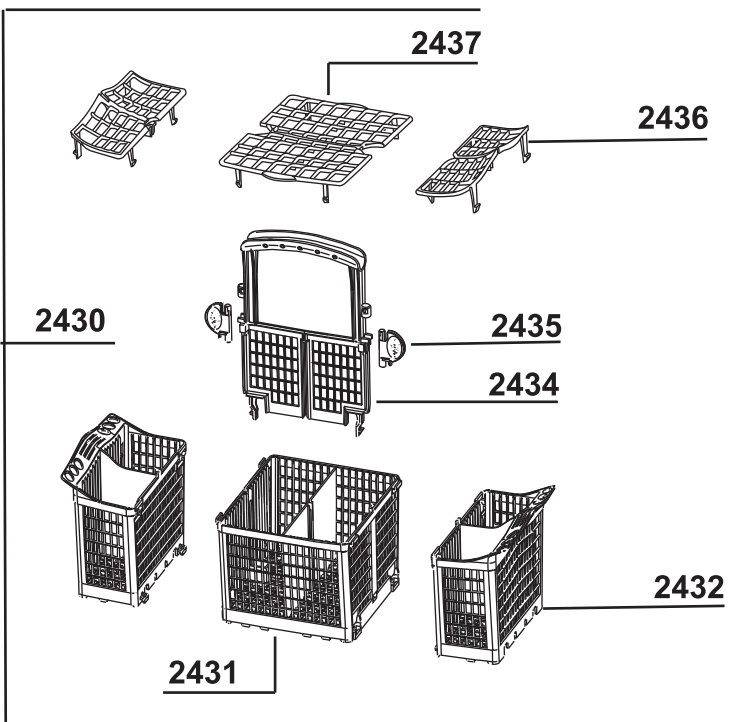
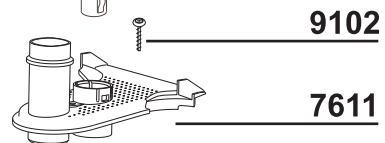


2423

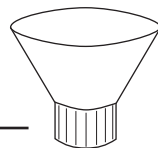


9102

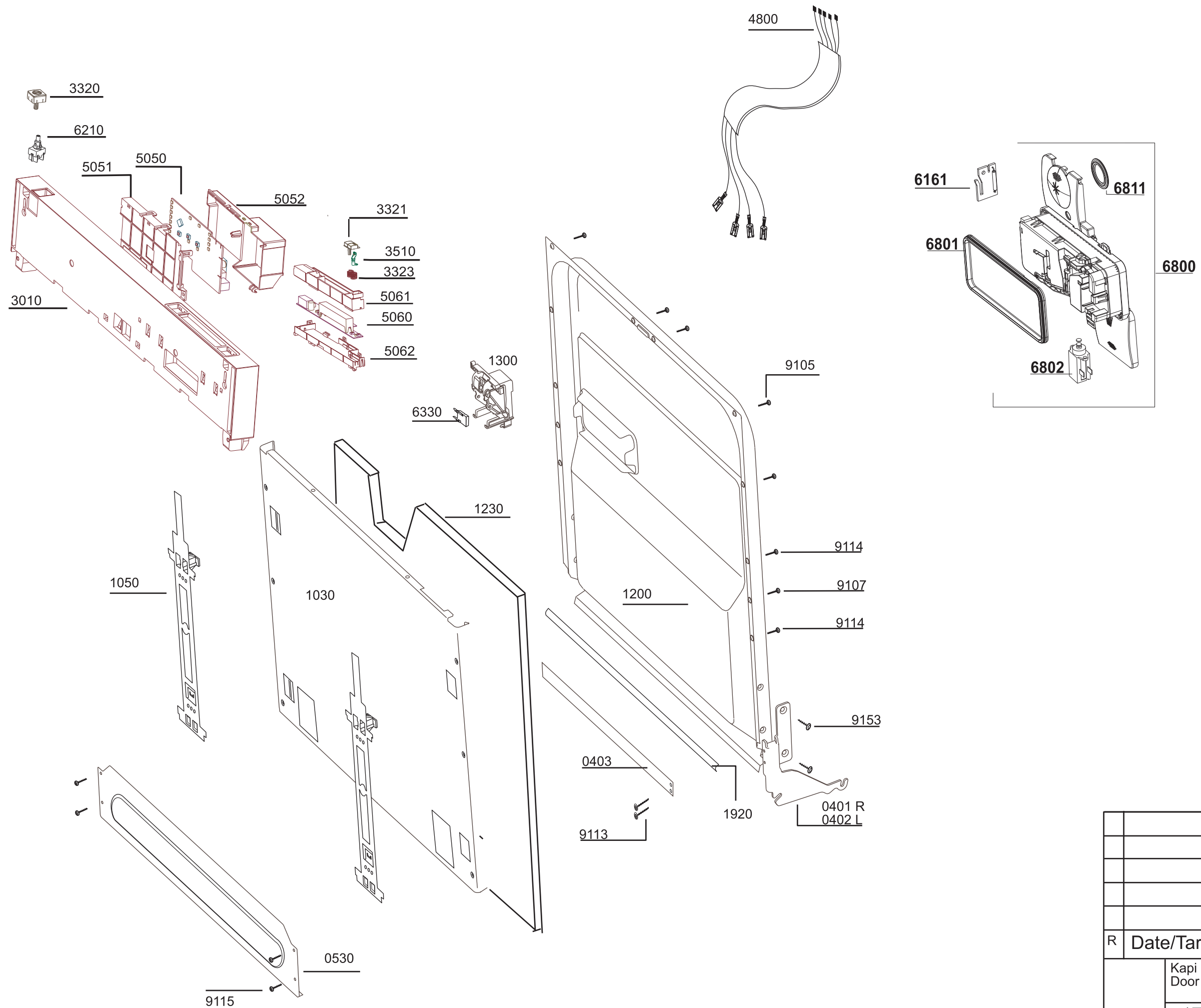
2421



9935



| | | |
|------------------|------------|--------|
| | | |
| R | Date/Tarih | Rev No |
| Inner Tub | | |
| Su Sistemi Grubu | | |
| 17 9982 5704 | | |



| | | | | |
|---|----------------------|--------|--|--|
| | | | | |
| | | | | |
| | | | | |
| | | | | |
| | | | | |
| R | Date/Tarih | Rev No | | |
| | Kapi gr. Door gr. | | | |
| | 17 9983 5704 | | | |

| REF | PART NO | DESCRIPTION | QTY |
|------|------------|--|-----|
| 40 | 1880080292 | BOTTOM TRAY | 1 |
| 110 | 1880350100 | ADJUSTABLE FOOT (LONG) | 4 |
| 220 | 1880090310 | SIDE PANEL (LEFT) NORDIC | 1 |
| 221 | 1880090410 | SIDE PANEL (RIGHT) NORDIC | 1 |
| 240 | 1880012300 | REAR BOTTOM SUPPORT | 1 |
| 401 | 1880290200 | HINGE ARM (RIGHT) | 1 |
| 402 | 1880290100 | HINGE ARM (LEFT) | 1 |
| 403 | 1880040100 | HINGE ARM SUPPORT | 1 |
| 440 | 1881030100 | HINGE SPRING | 2 |
| 470 | 1881040200 | HINGE PULLEY | 2 |
| 472 | 1881090100 | HINGE SPRING HOLDER (LEFT) | 1 |
| 473 | 1881090200 | HINGE SPRING HOLDER (RIGHT) | 1 |
| 530 | 1880030110 | KICK PLATE | 1 |
| 650 | 1882430400 | INNER TUB INSULATION | 1 |
| 1030 | 1880070410 | B/I OUTER DOOR | 1 |
| 1050 | 1882670100 | PANEL LEVEL ADJUSTMENT PART GR | 2 |
| 1200 | 1732600100 | INNER DOOR (BITUMEN INSULATED) | 1 |
| 1201 | 1880020100 | FRONT LOWER SUPPORT | 1 |
| 1230 | 1882270100 | BI DOOR INSULATION | 1 |
| 1300 | 1880300200 | DOOR LOCK GROUP STANDARD | 1 |
| 1310 | 1881970100 | DOOR LOCK HOOK | 1 |
| 1910 | 1882490100 | DOOR SEALING GASKET | 1 |
| 1911 | 1882250100 | DOOR SEALING END ADDITION PART RIGHT, | 1 |
| 1912 | 1882250200 | DOOR SEALING END ADDITION PART LEFT | 1 |
| 1920 | 1882470100 | DOOR LOWER SEALING GASKET-3 | 1 |
| 2000 | 1740001900 | WELDED MECHANICAL GROUP | 1 |
| 2006 | 1855840000 | VAPOUR FOIL KR 2273 75mm*700mm | 1 |
| 2411 | 1883600500 | ADJUSTABLE SHELF GROUP. | 4 |
| 2412 | 1732500700 | SHELF GROUP (RAL 7037 RIGHT) | 1 |
| 2414 | 1733400900 | UPPER RACK GR. | 1 |
| 2415 | 1895300700 | UPPER BASKET MECH. MAIN FRAME Ral 7037 | 2 |
| 2416 | 1894900100 | UPPER BASKET MECH.ROLLER FRAME (LEFT) | 1 |
| 2417 | 1894900200 | UPPER BASKET MECH.ROLLER FRAME (RIGHT) | 1 |
| 2420 | 1733300600 | LOWER RACK GR. | 1 |
| 2421 | 1885900400 | LOWER RACK WHEEL GROUP | 8 |
| 2425 | 1733360400 | PLASTIC LOCK LEFT (RAL 7037) | 2 |
| 2426 | 1733370400 | PLASTIC LOCK RIGHT (RAL 7037) | 2 |
| 2428 | 1733390400 | BOTTLE HOLDER RAL 7037 | 1 |
| 2429 | 1732570100 | LOWER BASKET HANDLE_Blomberg | 1 |
| 2429 | 1733350300 | MULTI PURPOSE SHELF WIRE | 1 |
| 2430 | 1737500100 | CUTLERY BASKET GROUP. | 1 |
| 2431 | 1899920100 | CUTLERY BASKET INTERMEDIATE | 1 |
| 2432 | 1732540100 | CUTLERY BASKET ACCESORIES | 2 |
| 2434 | 1732560100 | CUTLERY BASKET LATCH | 1 |
| 2435 | 1732550100 | CUTLERY BASKET LATCH | 2 |
| 2436 | 1732580100 | SEPERATION _ ACCESORIES | 2 |
| 2437 | 1899890100 | 3 WAY SPLIT CUTLERY BASKET MIDDLE SEPERA | 1 |
| 2610 | 1880240100 | RAIL | 2 |
| 2611 | 1880580100 | RAIL CAP REAR | 2 |
| 2612 | 1880570100 | RAIL CAP FRONT | 2 |
| 3010 | 1744925704 | PANEL PRINTED GVN 1380 (ARC 552) | 1 |
| 3320 | 1729491300 | START-STOP/CANCEL CAP-IARC 552 | 1 |
| 3320 | 1729651300 | ON/OFF SWITCH CAP ARC 552 INOX | 1 |
| 3321 | 1898111300 | PRG SELECTING CAP ARC 552 INOX | 1 |
| 3322 | 1898121300 | HALF LOAD CAP-GRAPH PRINTED ARC 552 | 1 |

| | | | |
|------|------------|--|---|
| 3323 | 1729730100 | KEY SPRING | 4 |
| 3326 | 1729720100 | PRG FOLLOWING FILM | 1 |
| 3510 | 1729660100 | LIGHT PIPE | 2 |
| 4000 | 1740700100 | MOTOR & SPRAY PUMP | 1 |
| 4001 | 1880390100 | MOTOR FIXING CAP | 1 |
| 4002 | 1740150100 | MOTOR BRACKET | 1 |
| 4003 | 1881440100 | CIRCULATION PUMP DAMPENING RUBBER | 1 |
| 4004 | 1740600100 | MOTOR BRACKET GROUP | 1 |
| 4200 | 1883790300 | CAPACITOR | 1 |
| 4210 | 1883880100 | INTERFERENCE FILTER | 1 |
| 4300 | 1740300300 | DRAIN PUMP GROUP | 1 |
| 4500 | 1888130100 | FLOW-THROUGH HEATER Ø 32 | 1 |
| 4504 | 1719970100 | SOLO PUMP INLET HOSE - 2 | 1 |
| 4800 | 1735680200 | CABLE HARNESS | 1 |
| 4901 | 1892101600 | MAIN PLUG EURO 220-230 V | 1 |
| 5050 | 1899420405 | CONTROL BOARD _B322 | 1 |
| 5051 | 1729640100 | CART HOLDER FRONT | 1 |
| 5052 | 1886630200 | CART HOLDER REAR.. | 1 |
| 5056 | 1881830100 | TURBIDITY FRAME | 1 |
| 5057 | 1800681100 | O-RING (TURBIDITY) | 1 |
| 5058 | 1898900301 | TURBIDITY CARD-LED HOLDER GR... | 1 |
| 5060 | 1880600705 | DISPLAY GR | 1 |
| 5061 | 1729630100 | B3 DISPLAY KART HOLDER BACK PART | 1 |
| 5062 | 1729620100 | B3 DISPLAY CARD HOLDER FRONT PART | 1 |
| 5830 | 1729900200 | COUNTER GROUP 2 | 1 |
| 5831 | 1729900100 | COUNTER GROUP 2 | 1 |
| 6160 | 1809700000 | SALT LEVEL INDICATOR SWITCH GROUP | 1 |
| 6161 | 1718830100 | RINSE INDICATOR ASSY. | 1 |
| 6210 | 1833120400 | ON/OFF SWITCH | 1 |
| 6311 | 1883240100 | MICRO SWITCH | 1 |
| 6315 | 1729930101 | COUNTER GROUP | 1 |
| 6330 | 1831830001 | DOOR SWITCH (LOW END) | 1 |
| 6800 | 1718900200 | DETERGENT DISPENSER GROUP..... | 1 |
| 6801 | 1718670100 | DETERGENT GASKET DISPENSER GROUP | 1 |
| 6802 | 1831470000 | THERMOACTUATOR | 1 |
| 6811 | 1718730100 | GASKET OF RINSE ADJUSTMENT DEVICE | 1 |
| 7000 | 1885090100 | AQUASTOP (SINGLE VALVE) | 1 |
| 7011 | 1889010200 | HOSE HOLDER LOWER PART | 1 |
| 7012 | 1889020100 | HOSE HOLDER UPPER PART | 1 |
| 7100 | 1744000100 | WATER SOFTENER GROUP-ALTO | 1 |
| 7103 | 1800720600 | WATER SOFTENER SEAL | 1 |
| 7140 | 1883900100 | WATER SOFTENER CAP GROUP | 1 |
| 7160 | 1741600100 | REGENERATION UNIT | 1 |
| 7161 | 1882630100 | REGENERATION UNIT COVER GASKET | 1 |
| 7162 | 1882620500 | REGENERATION UNIT COVER | 1 |
| 7169 | 1800862100 | HOSE | 1 |
| 7211 | 1746100100 | LOWER SPRAY ARM COMPLETE | 1 |
| 7215 | 2002372100 | HOSE CLAMP. | 1 |
| 7220 | 1746200100 | UPPER SPRAY GROUP | 1 |
| 7221 | 1880900300 | UPPER SPRAY ARM GROUP | 1 |
| 7232 | 1737930100 | TOP WATER FREDING NOZZLE HOLDER | 1 |
| 7234 | 1737940100 | TOP WATER FREDING NOZZLE | 1 |
| 7260 | 1737900100 | WATER SUPPLY TUBE GROUP (WELDED) | 1 |
| 7261 | 1737910100 | UPPER SPRAY ARM FEEDING HOSE GUIDE | 1 |
| 7262 | 1733430100 | UPPER SPRAY ARM FEEDING SEALING HOLDER | 1 |
| 7263 | 1881280100 | UPPER SPRAY ARM FEEDING HOSE GASKET | 1 |

| | | | |
|------|------------|--|----|
| 7264 | 1881360100 | UPPER SPRAY ARM FEEDING HOSE WATER GUIDE | 1 |
| 7265 | 1881370100 | UPPER SPRAY ARM FEEDING HOSE REAR GUIDE | 1 |
| 7266 | 1740270100 | UPPER SPRAY ARM FEEDING HOSE ALT-0 | 1 |
| 7510 | 1741500600 | SUMP | 1 |
| 7550 | 1740110100 | HOSE BETWEEN SUMP AND HEATER | 1 |
| 7560 | 1888100100 | OVER FLOW INDICATOR GROUP | 1 |
| 7561 | 1884280100 | SIFHON | 2 |
| 7610 | 1740400100 | METAL FILTER GR.. | 1 |
| 7611 | 1740900200 | FILTER SUPPORT GROUP | 1 |
| 7612 | 1882640701 | THREE WAY VALVE(MID-END) | 1 |
| 7620 | 1740220100 | MICROFILTER GROUP ALT-0 | 1 |
| 7630 | 1740230100 | COARSE FILTER ALT-0. | 1 |
| 7640 | 1740800100 | FILTER GROUP ALT-0 | 1 |
| 7810 | 1740160300 | DISCHARGE HOSE ASS | 1 |
| 7831 | 1740170100 | HOSE (PUMP - HEATER) | 1 |
| 7835 | 1800632000 | HOSE | 1 |
| 7839 | 1800864100 | HOSE. | 1 |
| 7842 | 1800862300 | HOSE | 1 |
| 7910 | 1740050100 | SUMP GASKET | 1 |
| 8000 | 1718470100 | FAN MOTOR GROUP. | 1 |
| 8001 | 1719560100 | FAN OUTLET PIPE - lower part | 1 |
| 8002 | 1719570100 | FAN OUTLET PIPE - upper part | 1 |
| 8003 | 1719580100 | FAN OUTLET PART | 1 |
| 8004 | 1719510100 | FAN SUCTION PIPE | 1 |
| 8005 | 1719490100 | FAN SUCTION CAP SEAL | 1 |
| 8006 | 1719590100 | FAN SUCTION CAP | 1 |
| 9012 | 2002372200 | HOSE CLAMP | 1 |
| 9013 | 2002372400 | HOSE CLAMP | 1 |
| 9014 | 2002372500 | HOSE CLAMP | 1 |
| 9015 | 2002373200 | HOSE CLAMP (ø 40.0) | 2 |
| 9016 | 2002370800 | HOSE CLAMP (ø 15.88) | 3 |
| 9018 | 1889280600 | SUMP CLAMP SCREW TYPE. | 1 |
| 9021 | 1882310100 | BI FIXATION RUBBER | 2 |
| 9021 | 1882390100 | BUILT IN UPPER FIXING PART | 2 |
| 9022 | 1883170100 | POWER CORD FIXING PART. | 1 |
| 9026 | 2002370900 | HOSE CLAMP | 2 |
| 9102 | 1889340100 | PT SCREW 4X16 | 2 |
| 9104 | 1803430000 | PT SCREW 4X14 | 4 |
| 9105 | 1883430100 | PT SCREW 4X16 SIDE WALLS | 10 |
| 9106 | 1889270100 | SCREW TERMINAL GROUP - REAR BRACKET | 2 |
| 9107 | 1882820100 | INNER DOOR STOPER | 2 |
| 9113 | 1883470100 | BOLT M4X8 | 18 |
| 9114 | 1883460100 | PT SCREW (INNER DOOR - OUTER DOOR) | 4 |
| 9115 | 1801080100 | PT SCREW 3,9X9,5 | 18 |
| 9118 | 1883410100 | SCREW (SIDE WALLS - INNER TUB) | 4 |
| 9123 | 1801080200 | PT SCREW (3,9*19) | 1 |
| 9153 | 1802860200 | SCREW M5*8 | 4 |
| 9154 | 1882290100 | SCREW CAP SIDE WALLS | 4 |
| 9155 | 1883440100 | PT SCREW (Ø 5*22) | 1 |
| 9213 | 1831780000 | WASHER | 2 |
| 9520 | 1882150100 | O-RING (FLOW DIVERTER) | 2 |
| 9640 | 1882280200 | NOISE ISOLATION FOR TUB RAL 7037. | 1 |
| 9641 | 1880280300 | NOISE ISOLATION FOR (B/I) LEFT | 2 |
| 9935 | 1850330000 | SALT FUNNEL | 1 |