

JVC

PARTS LIST

CAMCORDER

GS-TD1BEK

GS-TD1BEU



■ PRECAUTIONS ON SCHEMATIC DIAGRAMS

- Due to the improvement in performance, some part numbers shown in the circuit diagrams may not agree with those indicated in the Parts List.
- The parts numbers, values and rated voltage etc. in the Schematic Diagrams are for reference only.
- Since the circuit diagrams are standard ones, the circuits and circuit constants may be subject to change for improvement without any notice.

■ PRECAUTIONS ON PARTS LIST

- The parts identified by the \triangle symbol are critical for safety. Whenever replacing these parts, be sure to use specified ones to secure the safety.
- The parts not indicated in this Parts List and those which are filled with lines --- in the Parts No. columns will not be supplied.
- P.W. BOARD Ass'y will not be supplied, but those which are filled with the Parts No. in the Parts No. columns will be supplied.
- When ordering chips, screws etc., place bulk orders (unit of tens) whenever possible to improve shipping efficiency.
- There are cases where the actual implemented parts in the sets and the service parts are different. When ordering parts, make sure to refer to the Parts List.

■ PRECAUTIONS ON SERVICE

Certain parts of the power circuits and the GNDs differ according to the models. Care must be taken for the following points as the differences are indicated separately in the LIVE GND () and the ISOLATED (NEUTRAL) GND () .

1. Do not touch the LIVE GND, or do not touch the LIVE GND and the ISOLATED (NEUTRAL) GND at the same time. It may cause an electric shock.
Before pulling out the chassis or other parts, make sure to pull out the power cord from the wall outlet first.
2. Do not short circuit between the LIVE GND and ISOLATED (NEUTRAL) GND, or never measure the LIVE GND and ISOLATED (NEUTRAL) GND at the same time using measuring instruments (oscilloscope, etc.). It may blow fuses or damage other parts.

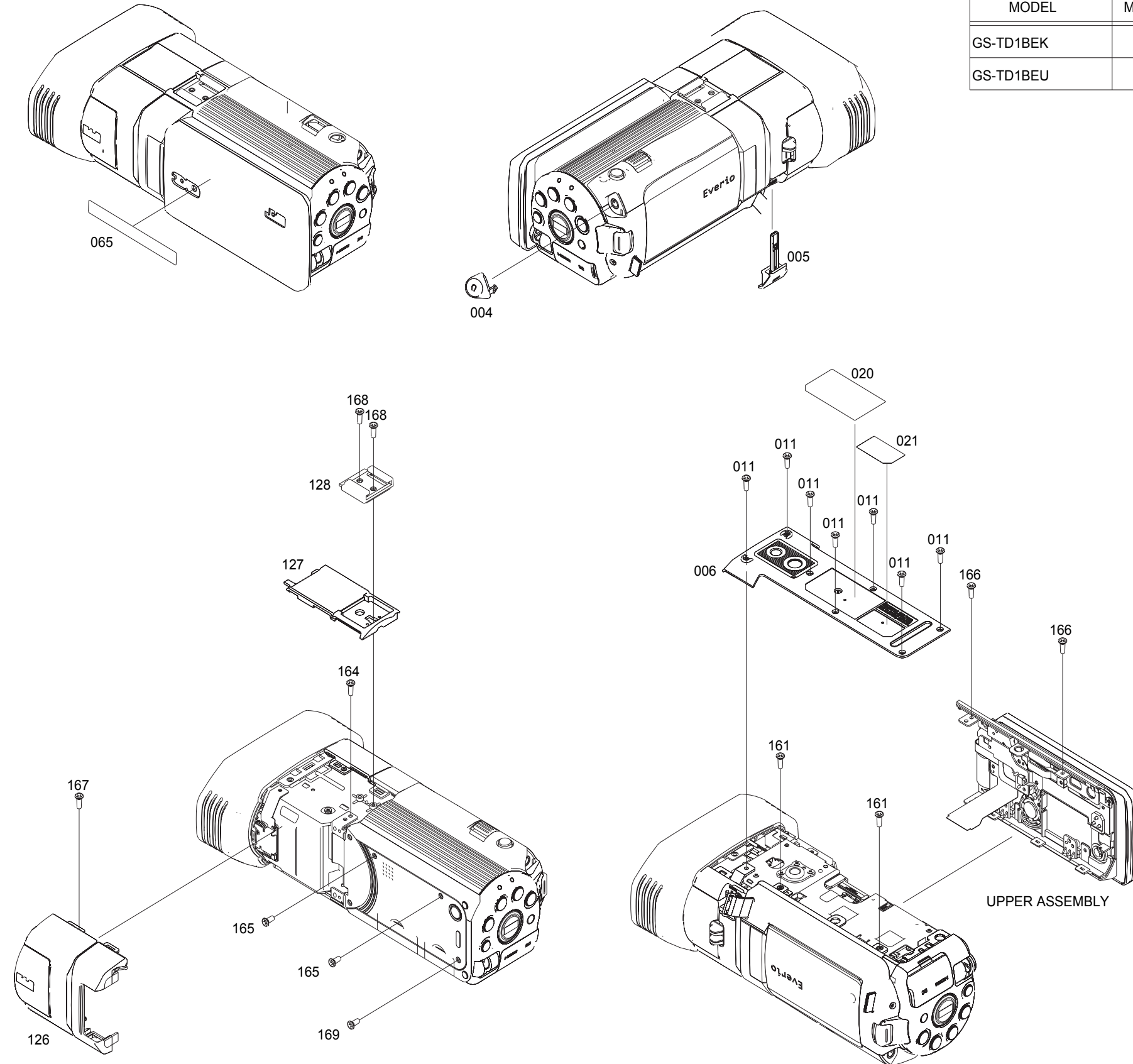
■ DEVIATION TOLERANCE RANGE

DEVIATION TOLERANCE RANGE									
F	G	J	K	M	N	R	H	Z	P
± 1%	± 2%	± 5%	±10%	±20%	±30%	+30% -10%	+50% -10%	+80% -20%	+100% -0%

FINAL ASSEMBLY<M1>

The instruction manual to be provided with this product will differ according to the destination.

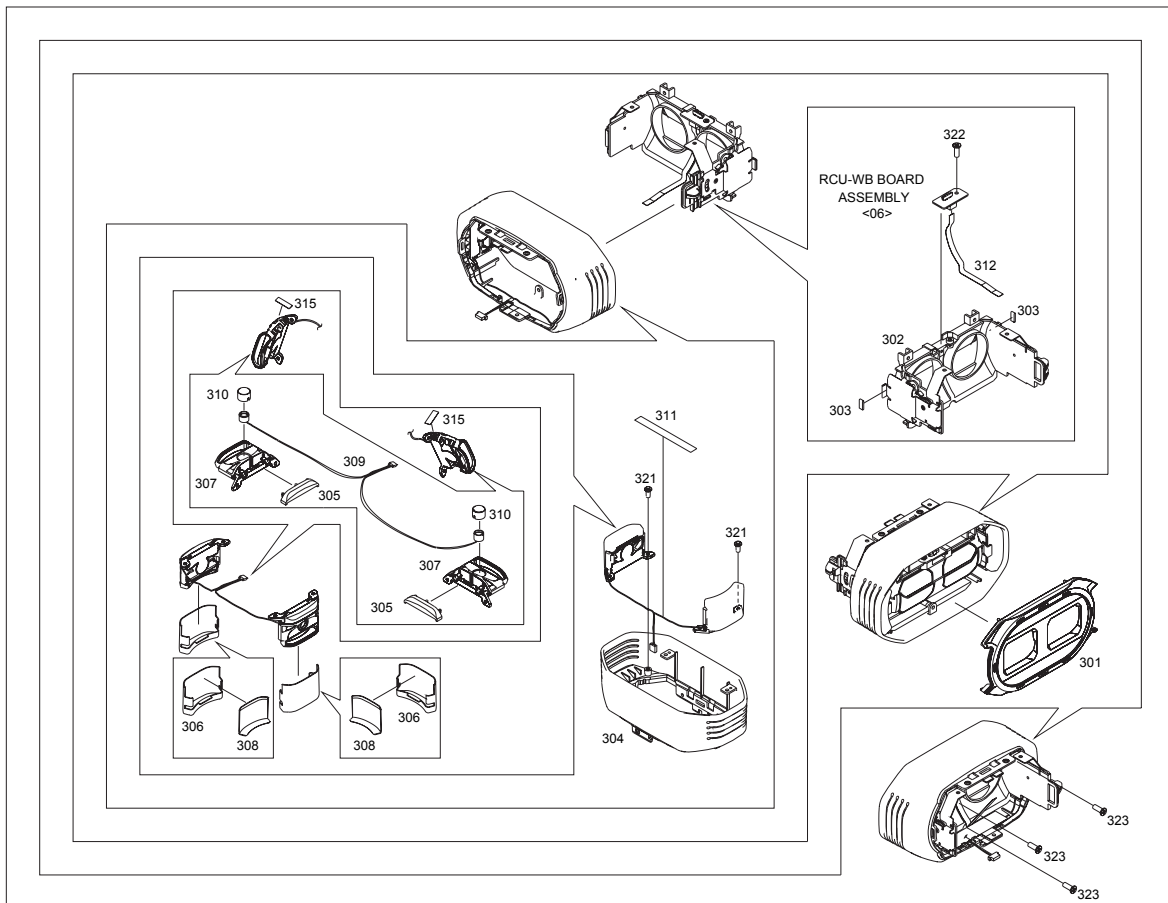
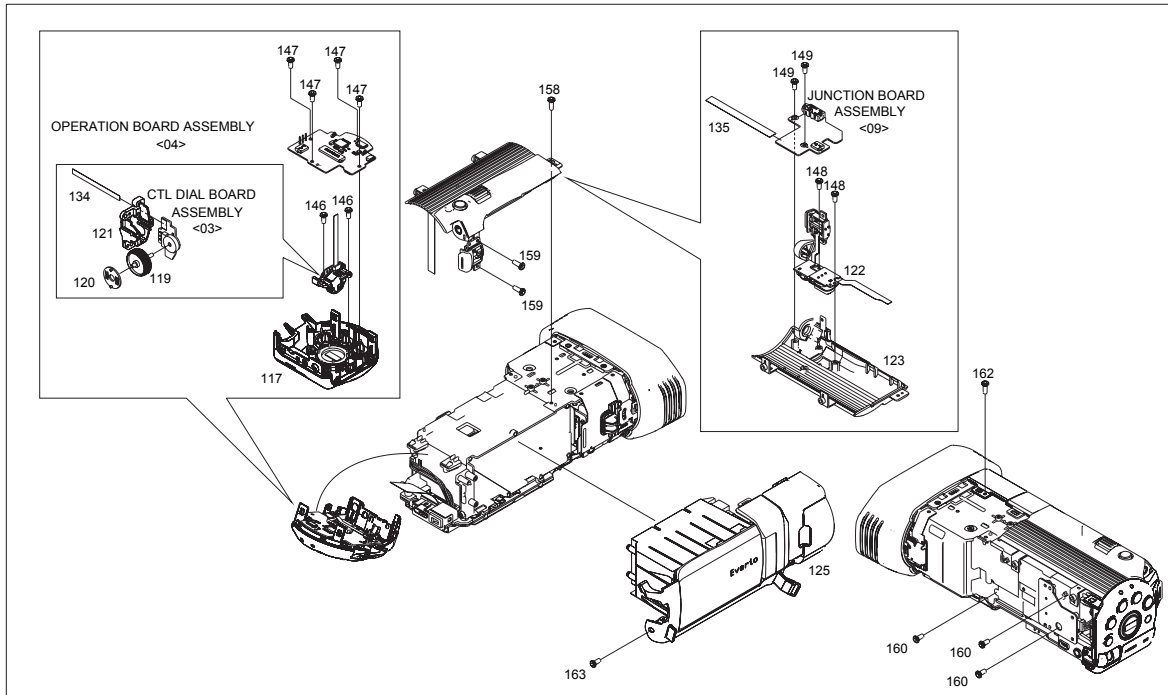
MODEL	MARK
GS-TD1BEK	A
GS-TD1BEU	B



FINAL ASSEMBLY<M1>

The instruction manual to be provided with this product will differ according to the destination.

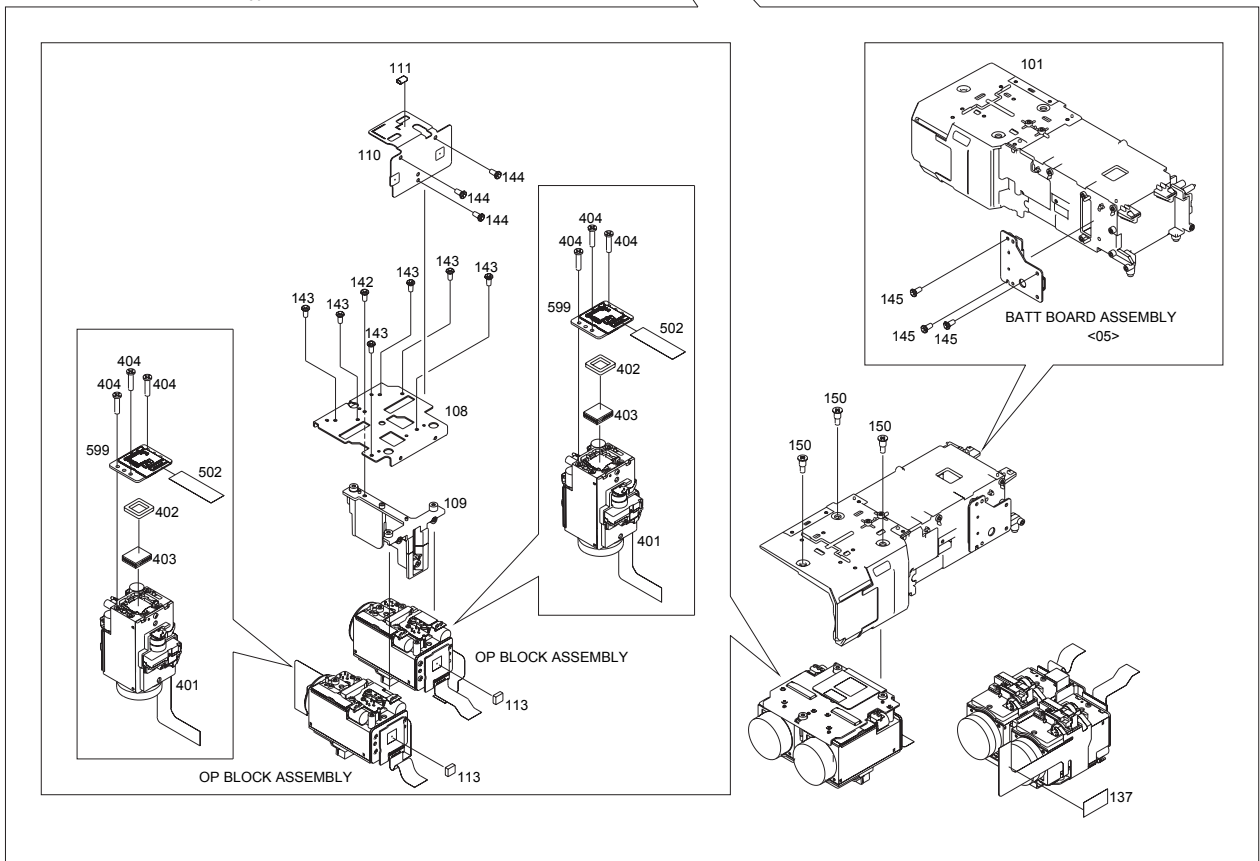
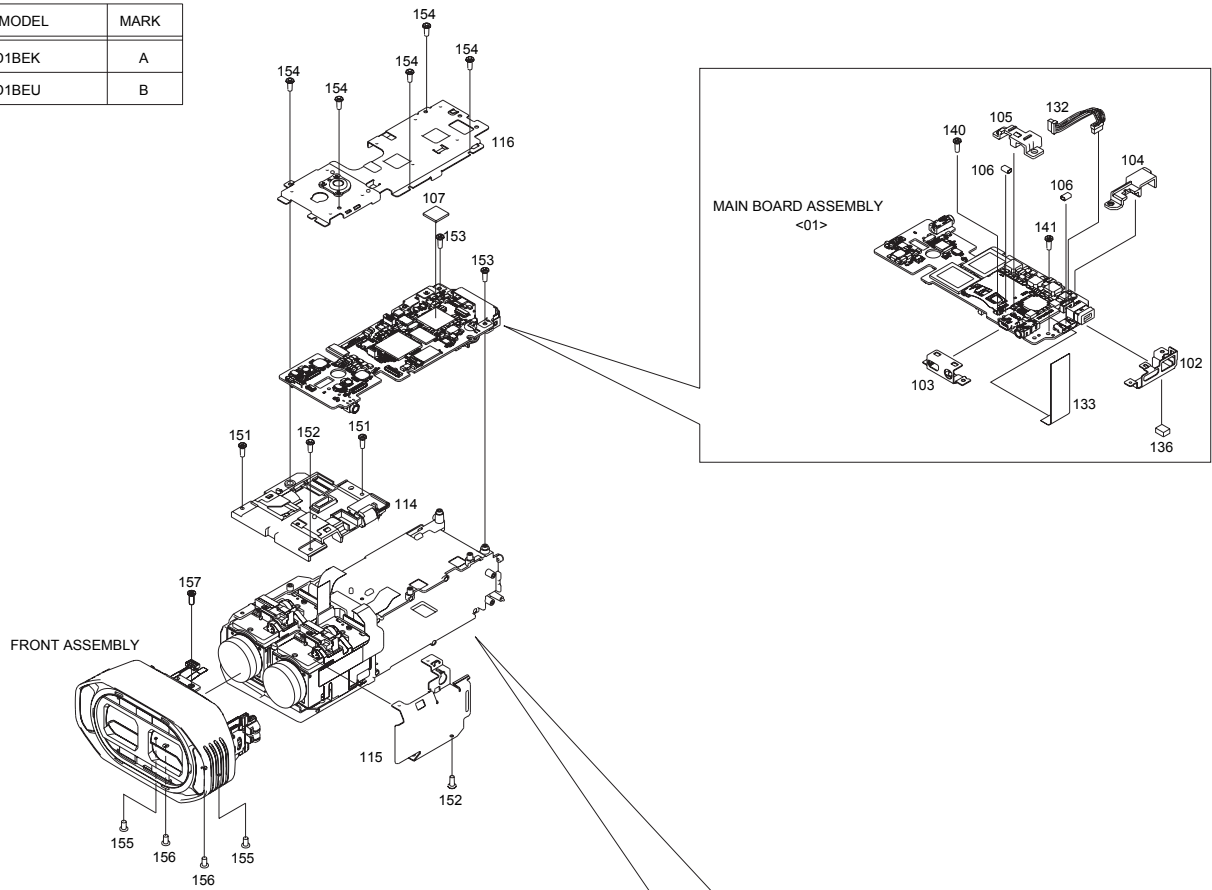
MODEL	MARK
GS-TD1BEK	A
GS-TD1BEU	B



FINAL ASSEMBLY<M1>

The instruction manual to be provided with this product will differ according to the destination.

MODEL	MARK
GS-TD1BEK	A
GS-TD1BEU	B

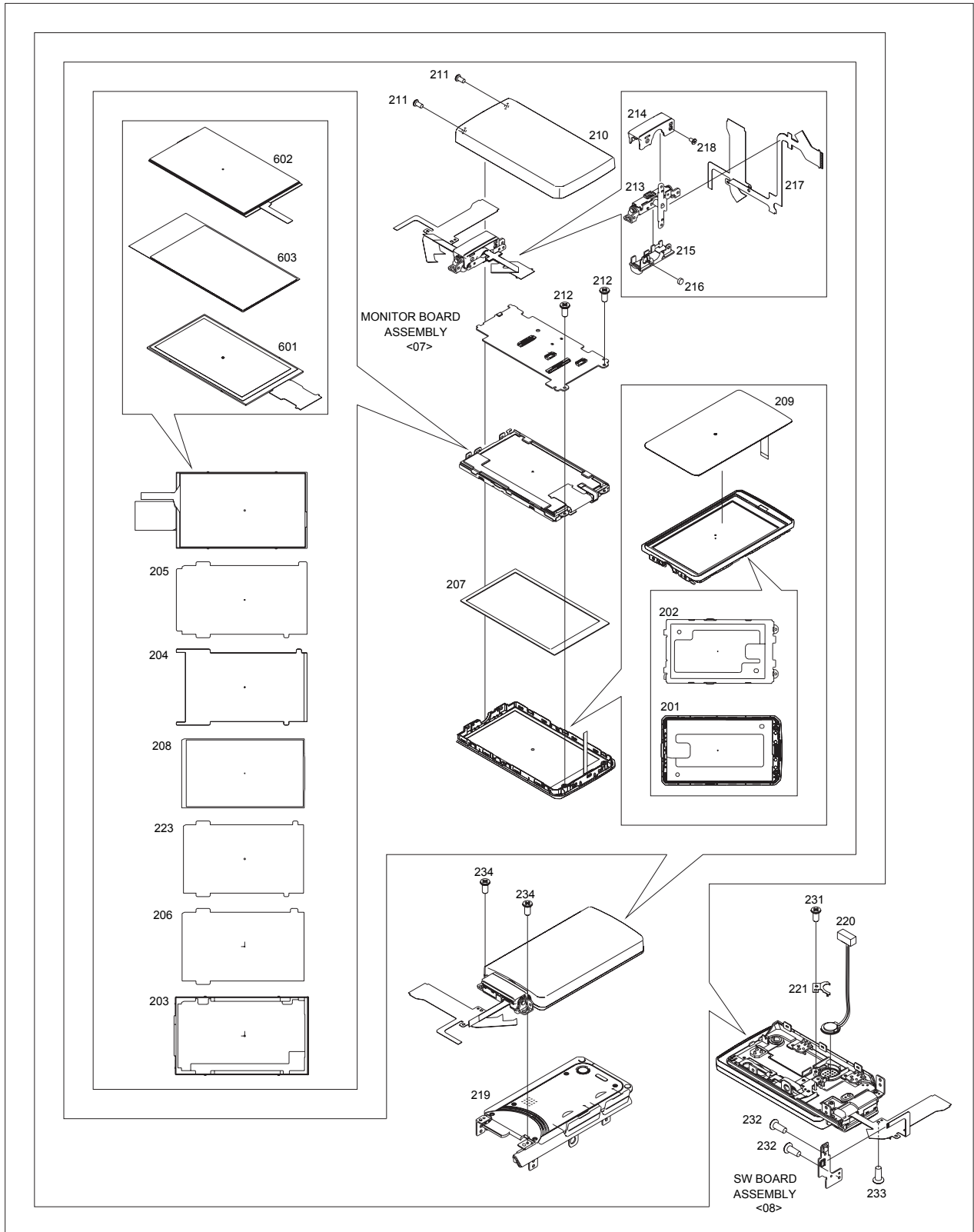


FINAL ASSEMBLY<M1>

The instruction manual to be provided with this product will differ according to the destination.

MODEL	MARK
GS-TD1BEK	A
GS-TD1BEU	B

UPPER ASSEMBLY



MODEL	MARK	MODEL	MARK
GS-TD1BEK	A	GS-TD1BEU	B

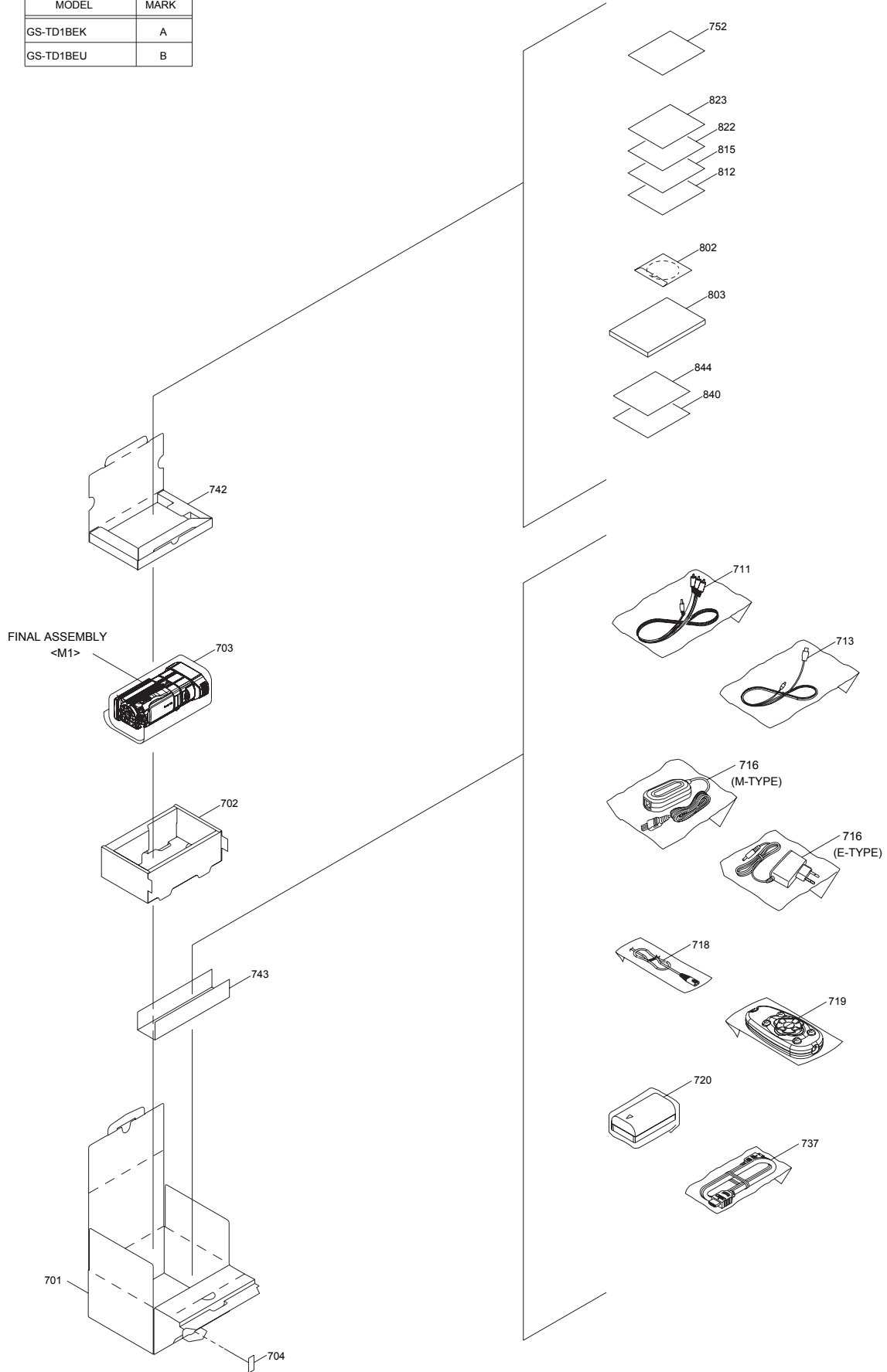
Safe	Symbol No.	Parts No.	Parts Name	Description	QTY	Local
FINAL ASSEMBLY <M1MM>						
	004	LY37931-001B	J.COVER (HP)AY		1	
	005	LY37953-001B	J.COVER(MIC) AY		1	
	006	LY37944-001B	B.COVER ASY		1	
	011	LY30031-0R6A	SPECIAL SCREW	BOTTOM COVER	7	
△	020	LY37993-004C	RATING LABEL		1	A
△	020	LY37993-003C	RATING LABEL		1	B
	021	-----	REAR LABEL A		1	
	065	-----	STICKER		1	
	101	LY37912-001A	FRAME ASSY		1	
	102	LY37913-001A	BKT(HDMI)		1	
	103	LY37914-001A	BKT(USB)		1	
	104	LY37915-001A	HOLDER(HDMI)		1	
	105	LY37916-001A	HOLDER(USB)		1	
	106	-----	GASKET	HDMI/USB	2	
	107	-----	HEAT SHEET	IC	1	
	108	LY37917-001A	BKT(OP)		1	
	109	LY37918-001B	HOLDER(OP)		1	
	110	LY37919-001A	HEAT SINK(CMOS)		1	
	111	-----	GASKET	HEAT SINK(CMOS)	1	
	113	-----	HEAT SHEET	CMOS	2	
	114	LY22271-001B	HOLDER (BOTTOM)		1	
	115	LY37920-001A	BKT(FRONT R)		1	
	116	LY37921-001B	BKT(BOTTOM)ASSY		1	
	117	LY37923-001C	REAR COVER ASSY		1	
	119	LY37860-002A	KNOB(DIAL)		1	
	120	LY37862-001A	BRUSH(DIAL)		1	
	121	LY37922-001B	HOLDER(DIAL)		1	
	122	LY22238-002A	ZOOM UNIT		1	
	123	LY22275-001A	COVER(TOP)		1	
	125	LY22276-001C	LOWER CASE ASSY		1	
	126	LY37951-001B	S.COVER(U) ASSY		1	
	127	LY37934-001A	TOP COVER 2		1	
	128	LY36303-001A	SHOE ASSY		1	
	132	WJJ1193-001A-E	E-SI C WIRE C-C	TERM-MAIN	1	
	133	QUQV05-2806AA-E	FFC WIRE	OPE-MAIN	1	
	134	QUQV05-0604AA-E	FFC WIRE	DIAL	1	
	135	QUQV05-1006AA-E	FFC WIRE	OPE-JUNCTI	1	
	136	-----	SPACER(A)		1	
	137	-----	SPACER(A)		1	
	140	LY30031-0D4A	SPECIAL SCREW	HOLDER-BKT(HDMI)	1	
	141	LY30031-0D4A	SPECIAL SCREW	HOLDER-BKT(USB)	1	
	142	LY30031-0L8B	SPECIAL SCREW	BKT(OP)-HOLDER(OP)	1	
	143	LY30031-0L8B	SPECIAL SCREW	BKT(OP)-OP	6	
	144	LY30031-0L8B	SPECIAL SCREW	H SNK(CMOS)-HLD(OP)	3	
	145	LY30031-0D4A	SPECIAL SCREW	BATT PWB-FRAME	3	
	146	LY30031-0L8B	SPECIAL SCREW	HLD(DIAL)-REAR CVR	2	
	147	LY30031-0L8B	SPECIAL SCREW	OPE PWB-REAR CVR	4	
	148	LY30031-0P9A	SPECIAL SCREW	ZOOM UNIT-TOP CVR	2	
	149	LY30031-0P9A	SPECIAL SCREW	JCT PWB-TOP CVR	2	
	150	LY30032-021A	SPECIAL SCREW	OP SA-FRAME	3	
	151	LY30031-0D4A	SPECIAL SCREW	HOLDER(BOTTOM)-FRAME	2	
	152	LY30031-0D4A	SPECIAL SCREW	BKT(FRONT R)	2	
	153	LY30031-0D4A	SPECIAL SCREW	MAIN PWB-FRAME	2	
	154	LY30031-0D4A	SPECIAL SCREW	BKT(BOTTOM)	5	
	155	LY30031-0D4A	SPECIAL SCREW	SHUTTER-FRAME	2	
	156	LY30031-0D4A	SPECIAL SCREW	HOOD-FRAME	2	
	157	LY30031-0L8B	SPECIAL SCREW	HOOD-HOLDER(BOTTOM)	1	
	158	LY30031-0D4A	SPECIAL SCREW	TOP CVR-FRAME	1	
	159	LY30031-0D4A	SPECIAL SCREW	TRIGGER-FRAME	2	
	160	LY30031-0L8B	SPECIAL SCREW	FRAME-L.CASE	3	
	161	LY30031-0D4A	SPECIAL SCREW	L.CASE-BKT(BOTTOM)	2	
	162	LY30031-0D4A	SPECIAL SCREW	L.CASE-FRAME(TOP)	1	
	163	LY30031-0R6A	SPECIAL SCREW	L.CASE-FRAME(REAR)	1	
	164	LY30031-0D4A	SPECIAL SCREW	BKT(HINGE)-FRAME	1	
	165	LY30031-0S1A	SPECIAL SCREW	U.CASE-FRAME	2	
	166	LY30031-0D4A	SPECIAL SCREW	U.CASE-FRAME(BOTTOM)	2	
	167	LY30031-0D4A	SPECIAL SCREW	S.CVR(U)-FRAME	1	
	168	LY30031-0R6A	SPECIAL SCREW	SHOE-FRAME	2	
	169	LY30031-0R6A	SPECIAL SCREW	U.CASE-FRA	1	
	201	LY22264-001A	MONI CASE		1	
	202	LY37818-002A	BKT LCD ASSY		1	
	203	LY22230-001A	LCD CASE		1	
	204	LY37708-001A	SHEET(PRISM)		1	
	205	LY37709-001A	SHEET(DIFF)		1	
	206	LY37710-001A	SHEET(REF)		1	
	207	LY37711-001B	SPACER(LCD)		1	
	208	LY37713-001A	LIGHT GUIDE		1	
	209	QAL1348-001	TOUCH PANEL		1	
	210	LY37902-001B	MONI COVER ASSY		1	
	211	LY30031-0R7A	SPECIAL SCREW	HINGE-MONI	2	
	212	LY30031-0R3A	SPECIAL SCREW	M.PWB-M.CA	2	
	213	LY22233-001A	HINGE UNIT		1	
	214	LY37904-001A	HINGE COVER(U)		1	
	215	LY37719-001A	HINGE COVER (L)		1	
	216	-----	P.C.MAGNET		1	
	217	QAL1345-001	FPC	MONI(HINGE)	1	
	218	LY30031-0D4A	SPECIAL SCREW	HINGE COVER U-L	1	
	219	LY22266-001A	U.CASE ASSY		1	
	220	QAS0619-001	SPEAKER		1	
	221	LY37246-001B	BKT(SPK)		1	
	223	LY38031-001A	SHEET (CLEAR)		1	

MODEL	MARK	MODEL	MARK
GS-TD1BEK	A	GS-TD1BEU	B

Safe	Symbol No.	Parts No.	Parts Name	Description	QTY	Local
231		LY30031-016A	SPECIAL SCREW	BKT(SPK)-B(HIN)	1	
232		LY30031-0R3A	SPECIAL SCREW	SWPWB-U.CA	2	
233		LY30031-016A	SPECIAL SCREW	FPC-B(HIN)	1	
234		LY30031-0R7A	SPECIAL SCREW	HINGE-B(HIN)	2	
301		LY37960-001C	FRONT COVER ASY		1	
302		LY37945-001A	SHUTTER ASSY		1	
303		-----	GASKET	BKT SHUTTER	2	
304		LY22284-001B	HOOD		1	
305		LY37956-001A	COVER MIC		2	
306		LY37957-001A	WIRE MESH		2	
307		LY37958-001A	HOLDER MIC		2	
308		LY46117-001A	FILTER (MIC)		2	
309		QAN0117-001	MICROPHONE UNIT		1	
310		LY37909-001A	MIC GEL		2	
311		-----	SPACER(A)	MIC WIRE	1	
312		WJT0270-001A-E	E-CARD WIRE	IR/WB	1	
315		-----	SPACER(A)		2	
321		LY30031-0R3A	SPECIAL SCREW	HOOD-MIC	2	
322		LY30031-0R3A	SPECIAL SCREW	SHUTTER-IR/WB PWB	1	
323		LY30031-0R3A	SPECIAL SCREW	SHUTTER-FRONT	3	
401		LY10683-001A	JOV ASSY		2	
402		-----	SHEET		2	
403		-----	IR CUT FILTER		2	
404		QYSPSGU1750ZA	TAP SCREW	M1.7 x 5mm	6	
502		QAL1334-001	FPC		2	
599		LYA10278-01A	CMOS BOARD ASSY	CMOS BOARD ASSY(INCL.BASE/FPC)	2	
601		QLD0684-001	LCD MODULE		1	
602		QLD0685-001	LCD BARRIER		1	
603		LY37712-001A	SPACER(BARRIER)		1	

PACKING AND ACCESSORY ASSEMBLY <M5>

MODEL	MARK
GS-TD1BEK	A
GS-TD1BEU	B



No.YF387

created date:2011-03-16

MODEL	MARK	MODEL	MARK
GS-TD1BEK	A	GS-TD1BEU	B

Safe	Symbol No.	Parts No.	Parts Name	Description	QTY	Local
PACKING AND ACCESSORY ASSEMBLY <M5MM>						
	701	-----	PACKING CASE	PRODUCTION	1	A
	701	-----	PACKING CASE	PRODUCTION	1	B
	702	-----	CUSHION		1	
	703	-----	POLY BAG		1	A
	703	-----	POLY BAG		1	B
	704	-----	LABEL		1	
	711	QAM1309-001	A/V CABLE		1	
	713	QAM1313-001	USB CABLE	(A TYPE -MINI B TYPE)	1	
△	716	QAL1153-002	AC P ADAPTOR	AP-V20M	1	A
△	716	QAL1152-002	AC P ADAPTOR	AP-V20E	1	B
△	718	QMPP420-100-JR	POWER CORD(EK)	1m BLACK	1	A
	719	LY37345-001A	REMOTE CTL UNIT	RM-V760U	1	
△	720	LY35455-002C	BATTERY PACK	BN-VF815U	1	
	737	QAM1357-001	HDMI CABLE		1	
	742	-----	PACKING CASE(IB)		1	A
	742	-----	PACKING CASE(IB)		1	B
	743	-----	SHEET(ACC)		1	
	752	-----	WARRANTY CARD	BT-54043-1	1	
	802	LY37342-031A-S1	CD ROM ASSY		1	
△	803	LYT2318-001A-M	INST BOOK	(ENGLISH)	1	A
△	803	LYT2317-001A-M	INST BOOK	(GERMAN/FRENCH/DUTCH)	1	B
△	803	LYT2317-002A-M	INST BOOK	(SPANISH/ITALIAN/PORTUGU ESE)	1	B
△	803	LYT2317-003A-M	INST BOOK	(DANISH/SWEDISH/NORWEGI AN)	1	B
△	803	LYT2317-004A-M	INST BOOK	(RUSSIAN/FINN/UKRAINIAN)	1	B
△	803	LYT2317-005A-M	INST BOOK	(HUNGARIAN/CZECH/POLISH)	1	B
	812	-----	REGIST. CARD	YU30878	1	A
	815	-----	Q.CARD	LYT0194-001B	1	A
	822	-----	SHEET ACC. GUID	LY38012-002A	1	
	823	-----	SHEET(E-SHOP)	LY35208-001A	1	A
	840	-----	SHEET(FLAP)	LYT2353-003A-M	1	
	844	-----	SHEET(3D)	LYT2363-001A-M	1	
MAIN BOARD ASSEMBLY <01>						
	PW101	LYA10270-01B	MAIN BOARD ASSY		1	
	IC601	R1154N033B-X	IC		1	
	IC801	THGBM2G8D8FBAIB	IC	32GB	1	
	IC802	THGBM2G8D8FBAIB	IC	32GB	1	
	IC1001	M395FWAXG7GG3-X	IC(MICRO C ROM)	AP_MP_FLAS	1	
	IC1002	NJU7108F3-X	IC		1	
	IC1003	R1EX25004ATA-X	IC		1	
	IC1004	R5G05001N302N-X	IC(MICRO C ROM)		1	
	IC2101	BU76312GUW-X	IC		1	
	IC2701	BH3547F-X	IC		1	
	IC3001	JCY0246	IC		1	
	IC3005	TPS2051BDBV-X	IC		1	
	IC3101	K4X1G323PF-8GD8	IC		1	
	IC3102	K4X1G323PF-8GD8	IC		1	
△	IC4801	LV8075LP-W	IC		1	
△	IC4802	LV8075LP-W	IC		1	
	IC4803	AN41905A-X	IC		1	
	IC4804	AN41905A-X	IC		1	
	IC4806	BU7262FVM-W	IC		1	
	IC5001	MN864716-X	IC		1	
	IC5004	XC6213B182NG-X	IC		1	
	IC5005	NJM2872BF05-X	IC		1	
	IC5601	XC6LX453CSG324C	IC		1	
	IC5602	MM3404A26U-X	IC		1	
	IC5603	TC7MBL3257CFK-X	IC		1	
	IC5604	M25P16-VMP6G	IC(MICRO C ROM)		1	
	IC6001	FA7736AF	IC		1	
	IC6002	IC-PST8223U-W	IC		1	
	IC6003	NJM2872BF05-X	IC		1	
	IC6004	S-1112B28MC-W	IC		1	
	IC6005	MAX8792ETD-X	IC		1	
	IC6006	R1172N271D-X	IC		1	
	IC7301	BU7963GUW-X	IC		1	
	Q1002	RT1N441U-X	DIGI TRANSISTOR		1	
	Q1002 or	DRC9144E-X	DIGI TRANSISTOR		1	
	Q2601	2SC5383/EF/-X	TRANSISTOR		1	
	Q2601 or	DSC9001/R/-X	TRANSISTOR		1	
	Q2602	2SC5383/EF/-X	TRANSISTOR		1	
	Q2602 or	DSC9001/R/-X	TRANSISTOR		1	
	Q2701	RT1N441U-X	DIGI TRANSISTOR		1	
	Q2701 or	DRC9144E-X	DIGI TRANSISTOR		1	
	Q2702	ISA1989AU1/RS-X	TRANSISTOR		1	
	Q2702 or	DSA9001/R/-X	TRANSISTOR		1	
	Q2702 or	2SA1774/RS/-X	TRANSISTOR		1	
	Q2703	RT3X99M-X	TRANSISTOR		1	
	Q2801	RT3X99M-X	TRANSISTOR		1	
	Q3001	RT3T22M-X	DIGI TRANSISTOR		1	
	Q3007	FK330601-X	MOS FET		1	
	Q6001	TPCP8305-X	MOS FET ARRAY		1	
	Q6201	KMB3D0P30SA-X	MOS FET		1	
	Q6202	SSM3K302T-X	MOS FET		1	
	Q6701	KMB3D0P30SA-X	MOS FET		1	
	Q6702	KMB3D0P30SA-X	MOS FET		1	
	Q6703	KMB3D0P30SA-X	MOS FET		1	
	Q6801	RSR025N03-X	MOS FET		1	
	Q6802	RSR025N03-X	MOS FET		1	
△	D603	DB2J314-X	SB DIODE		1	
	D2101	DZ2J068/M/-X	Z DIODE		1	

MODEL	MARK	MODEL	MARK
GS-TD1BEK	A	GS-TD1BEU	B

Safe	Symbol No.	Parts No.	Parts Name	Description	QTY	Local
	D2101 or D2801	UDZW6.8B-X DZ2J068/M-X	Z DIODE Z DIODE		1 1	
	D2801 or D6002 D6002 or D6101 D6201 D6301 D6401 D6701 D6702 D6801 D6901	UDZW6.8B-X DZ2J068/M-X UDZW6.8B-X DB2J407-X DB2J317-X DB2J407-X DB2J407-X DB22320-X DB22320-X DB22320-X DB2J407-X	Z DIODE Z DIODE Z DIODE SB DIODE SB DIODE SB DIODE SB DIODE SB DIODE SB DIODE SB DIODE SB DIODE		1 1 1 1 1 1 1 1 1 1 1	
	C142 C146 C147 C148 C603 C604 C801 C804 C807	NCBA1AK-104W NCB20JK-106X NCB20JK-106X NCB20JK-106X NCB31CK-105X NCB31CK-105X NCB20JK-106X NCBA1AK-104W NCBA1AK-104W	C CAPACITOR C CAPACITOR C CAPACITOR C CAPACITOR C CAPACITOR C CAPACITOR C CAPACITOR C CAPACITOR C CAPACITOR	0.1uF 10V K 10uF 6.3V K 10uF 6.3V K 10uF 6.3V K 1uF 16V K 1uF 16V K 10uF 6.3V K 0.1uF 10V K 0.1uF 10V K	1 1 1 1 1 1 1 1 1	
	C808 C811 C1004 C1007 C1008 C1009 C1010 C1011 C2101 C2102 C2103 C2104 C2105 C2106 C2107 C2108 C2109 C2110 C2111 C2112	NCBA1AK-104W NCBA1AK-104W NCBA1AK-104W NCBA1AK-104W NCBA1CK-103W NCBA1AK-104W NCBA1AK-104W NCBA1AK-104W NCB31CK-105X NCB31CK-105X NCBA1CK-103W NCBA1CK-103W NCBA1CK-103W NCBA1CK-103W NCBA1CK-103W NCBA1CK-103W NCBA1CK-103W NCBA1CK-103W NCB31CK-105X NCB31CK-105X NCBA1CK-103W NCBA1CK-103W NCBA1CK-103W NCBA1CK-103W NCB31CK-105X NCB31CK-105X NCBA1HK-102W NCBA1HK-102W	C CAPACITOR C CAPACITOR	0.1uF 10V K 0.1uF 10V K 0.1uF 10V K 0.1uF 10V K 0.01uF 16V K 0.1uF 10V K 0.1uF 10V K 0.1uF 10V K 1uF 16V K 1uF 16V K 0.01uF 16V K 0.01uF 16V K 0.01uF 16V K 0.01uF 16V K 0.01uF 16V K 0.01uF 16V K 0.01uF 16V K 1uF 16V K 1uF 16V K 1000pF 50V K 1000pF 50V K	1 1	
	C2113 C2114 C2501 C2502 C2503 C2504 C2613 C2616 C2617 C2619 C2702 C2703 C2704 C2705 C2706 C2707 C2708 C2801 C2802 C3001	NCBA1CK-103W NCBA1CK-103W NCBA1AK-104W NCB31CK-105X NCB31CK-105X NCB31CK-105X NCB20JK-106X NCB20JK-106X NCB20JK-106X NCB20JK-106X NBE20JM-476X NBE20JM-476X NCB31CK-105X NBE20JM-476X NCB31CK-105X NCB31CK-105X NCB20JK-106X NCBA1HK-102W NCBA1HK-102W NCBA1AK-104W	C CAPACITOR C CAPACITOR C CAPACITOR C CAPACITOR C CAPACITOR C CAPACITOR C CAPACITOR C CAPACITOR C CAPACITOR C CAPACITOR TA E CAPACITOR TA E CAPACITOR C CAPACITOR TA E CAPACITOR C CAPACITOR C CAPACITOR C CAPACITOR C CAPACITOR C CAPACITOR C CAPACITOR C CAPACITOR	0.01uF 16V K 0.01uF 16V K 0.1uF 10V K 1uF 16V K 1uF 16V K 1uF 16V K 10uF 6.3V K 10uF 6.3V K 10uF 6.3V K 10uF 6.3V K 47uF 6.3V M 47uF 6.3V M 1uF 16V K 47uF 6.3V M 1uF 16V K 1uF 16V K 10uF 6.3V K 1000pF 50V K 1000pF 50V K 0.1uF 10V K	1 1	
	C3002 C3003 C3004 C3005 C3007 C3008 C3013 C3015 C3017 C3018 C3020 C3021 C3022 C3023 C3024 C3026 C3027 C3030 C3031 C3034	NCBA1AK-104W NCBA1AK-104W NCBA1AK-104W NCBA1AK-104W NCBA1AK-104W NCBA1AK-104W NCBA1AK-104W NCBA1AK-104W NCBA1AK-104W NCBA1AK-104W NCBA1AK-104W NCB31CK-105X NCBA1AK-104W NCBA1AK-104W NCBA1AK-104W NCBA1AK-104W NCBA1AK-104W NCBA1AK-104W NCBA1AK-104W NCBA1AK-104W NCBA1AK-104W	C CAPACITOR C CAPACITOR	0.1uF 10V K 0.1uF 10V K 0.1uF 10V K 0.1uF 10V K 0.1uF 10V K 0.1uF 10V K 0.1uF 10V K 0.1uF 10V K 0.1uF 10V K 0.1uF 10V K 0.1uF 10V K 1uF 16V K 0.1uF 10V K 0.1uF 10V K 0.1uF 10V K 0.1uF 10V K 0.1uF 10V K 0.1uF 10V K 0.1uF 10V K 0.1uF 10V K 0.1uF 10V K	1 1	
	C3035 C3037 C3038 C3039 C3040 C3043 C3044 C3046 C3049 C3050	NCBA1AK-104W NCBA1AK-104W NCBA1AK-104W NCBA1AK-104W NCBA1AK-104W NCBA1CK-223W NCBA1CK-223W NCBA1CK-223W NCBA1AK-104W NCBA1AK-104W	C CAPACITOR C CAPACITOR C CAPACITOR C CAPACITOR C CAPACITOR C CAPACITOR C CAPACITOR C CAPACITOR C CAPACITOR C CAPACITOR	0.1uF 10V K 0.1uF 10V K 0.1uF 10V K 0.1uF 10V K 0.1uF 10V K 0.022uF 16V K 0.022uF 16V K 0.022uF 16V K 0.1uF 10V K 0.1uF 10V K	1 1 1 1 1 1 1 1 1 1	

MODEL	MARK	MODEL	MARK
GS-TD1BEK	A	GS-TD1BEU	B

Safe	Symbol No.	Parts No.	Parts Name	Description	QTY	Local
	C3052	NCB31CK-105X	C CAPACITOR	1uF 16V K	1	
	C3053	NCBA1AK-104W	C CAPACITOR	0.1uF 10V K	1	
	C3054	NCBA1AK-104W	C CAPACITOR	0.1uF 10V K	1	
	C3055	NCBA1CK-223W	C CAPACITOR	0.022uF 16V K	1	
	C3058	NCBA1CK-223W	C CAPACITOR	0.022uF 16V K	1	
	C3059	NCBA1CK-223W	C CAPACITOR	0.022uF 16V K	1	
	C3068	NCBA1AK-104W	C CAPACITOR	0.1uF 10V K	1	
	C3071	NCBA1AK-104W	C CAPACITOR	0.1uF 10V K	1	
	C3092	NCBA1AK-104W	C CAPACITOR	0.1uF 10V K	1	
	C3094	NCB31CK-105X	C CAPACITOR	1uF 16V K	1	
	C3095	NCBA1AK-104W	C CAPACITOR	0.1uF 10V K	1	
	C3096	NCB31CK-105X	C CAPACITOR	1uF 16V K	1	
	C4504	NCJ30JM-106X-A	C CAPACITOR	10uF 6.3V M	1	
	C4505	NCBA1AK-104W	C CAPACITOR	0.1uF 10V K	1	
	C4801	NCBA1AK-104W	C CAPACITOR	0.1uF 10V K	1	
	C4802	NCBA1AK-104W	C CAPACITOR	0.1uF 10V K	1	
	C4803	NCBA1CK-103W	C CAPACITOR	0.01uF 16V K	1	
	C4804	NCBA1CK-103W	C CAPACITOR	0.01uF 16V K	1	
	C4805	NCBA1CK-103W	C CAPACITOR	0.01uF 16V K	1	
	C4806	NCBA1CK-103W	C CAPACITOR	0.01uF 16V K	1	
	C4807	NCBA1AK-104W	C CAPACITOR	0.1uF 10V K	1	
	C4808	NCBA1AK-104W	C CAPACITOR	0.1uF 10V K	1	
	C4809	NCBA1AK-104W	C CAPACITOR	0.1uF 10V K	1	
	C4810	NCBA1AK-104W	C CAPACITOR	0.1uF 10V K	1	
	C4811	NCBA1AK-104W	C CAPACITOR	0.1uF 10V K	1	
	C4812	NCBA1AK-104W	C CAPACITOR	0.1uF 10V K	1	
	C4815	NCB20JK-106X	C CAPACITOR	10uF 6.3V K	1	
	C4816	NCB20JK-106X	C CAPACITOR	10uF 6.3V K	1	
	C4817	NCBA1AK-104W	C CAPACITOR	0.1uF 10V K	1	
	C4818	NCBA1AK-104W	C CAPACITOR	0.1uF 10V K	1	
	C4819	NCB20JK-106X	C CAPACITOR	10uF 6.3V K	1	
	C4820	NCB20JK-106X	C CAPACITOR	10uF 6.3V K	1	
	C4821	NCB20JK-106X	C CAPACITOR	10uF 6.3V K	1	
	C4822	NCB20JK-106X	C CAPACITOR	10uF 6.3V K	1	
	C4823	NCBA1AK-104W	C CAPACITOR	0.1uF 10V K	1	
	C4824	NCBA1AK-104W	C CAPACITOR	0.1uF 10V K	1	
	C4825	NCBA1AK-104W	C CAPACITOR	0.1uF 10V K	1	
	C4826	NCBA1AK-104W	C CAPACITOR	0.1uF 10V K	1	
	C4827	NCBA1AK-104W	C CAPACITOR	0.1uF 10V K	1	
	C4828	NCBA1AK-104W	C CAPACITOR	0.1uF 10V K	1	
	C4829	NCBA1CK-103W	C CAPACITOR	0.01uF 16V K	1	
	C4830	NCBA1CK-103W	C CAPACITOR	0.01uF 16V K	1	
	C4831	NDCA1HJ-101W	C CAPACITOR	100pF 50V J	1	
	C4832	NDCA1HJ-101W	C CAPACITOR	100pF 50V J	1	
	C4835	NCBA1AK-104W	C CAPACITOR	0.1uF 10V K	1	
	C4836	NCBA1AK-104W	C CAPACITOR	0.1uF 10V K	1	
	C4837	NCB20JK-106X	C CAPACITOR	10uF 6.3V K	1	
	C4838	NCB20JK-106X	C CAPACITOR	10uF 6.3V K	1	
	C4843	NDCA1HJ-100W	C CAPACITOR	10pF 50V J	1	
	C4844	NDCA1HJ-100W	C CAPACITOR	10pF 50V J	1	
	C4845	NCB31CK-224X	C CAPACITOR	0.22uF 16V K	1	
	C4846	NCB31CK-224X	C CAPACITOR	0.22uF 16V K	1	
	C4847	NCBA1CK-333W	C CAPACITOR	0.033uF 16V K	1	
	C4848	NCBA1CK-333W	C CAPACITOR	0.033uF 16V K	1	
	C5007	NCBA1AK-104W	C CAPACITOR	0.1uF 10V K	1	
	C5008	NCBA1AK-104W	C CAPACITOR	0.1uF 10V K	1	
	C5011	NCBA1AK-104W	C CAPACITOR	0.1uF 10V K	1	
	C5016	NCBA1AK-104W	C CAPACITOR	0.1uF 10V K	1	
	C5017	NCBA1AK-104W	C CAPACITOR	0.1uF 10V K	1	
	C5018	NCB31CK-105X	C CAPACITOR	1uF 16V K	1	
	C5601	NCB31CK-105X	C CAPACITOR	1uF 16V K	1	
	C5602	NCB31CK-105X	C CAPACITOR	1uF 16V K	1	
	C5603	NCB20JK-106X	C CAPACITOR	10uF 6.3V K	1	
	C5604	NCB20JK-106X	C CAPACITOR	10uF 6.3V K	1	
	C5605	NCBA1AK-104W	C CAPACITOR	0.1uF 10V K	1	
	C5609	NCBA1AK-104W	C CAPACITOR	0.1uF 10V K	1	
	C5612	NCBA1AK-104W	C CAPACITOR	0.1uF 10V K	1	
	C5614	NCBA1AK-104W	C CAPACITOR	0.1uF 10V K	1	
	C5618	NCBA1AK-104W	C CAPACITOR	0.1uF 10V K	1	
	C5621	NCBA1AK-104W	C CAPACITOR	0.1uF 10V K	1	
	C5622	NCBA1AK-104W	C CAPACITOR	0.1uF 10V K	1	
	C5623	NCBA1AK-104W	C CAPACITOR	0.1uF 10V K	1	
	C5624	NCB20JK-106X	C CAPACITOR	10uF 6.3V K	1	
	C6001	NCBA1CK-104W	C CAPACITOR	0.1uF 16V K	1	
	C6002	NCBA1CK-104W	C CAPACITOR	0.1uF 16V K	1	
	C6006	NCJ21CK-475X-R	C CAPACITOR	4.7uF 16V K	1	
	C6007	NCB31CK-105X	C CAPACITOR	1uF 16V K	1	
	C6008	NCBA1AK-104W	C CAPACITOR	0.1uF 10V K	1	
	C6009	NCBA1AK-104W	C CAPACITOR	0.1uF 10V K	1	
	C6010	NCBA1AK-104W	C CAPACITOR	0.1uF 10V K	1	
	C6011	NCB31CK-105X	C CAPACITOR	1uF 16V K	1	
	C6101	NCBA1HK-221W	C CAPACITOR	220pF 50V K	1	
	C6102	NCBA1HK-152W	C CAPACITOR	1500pF 50V K	1	
	C6104	NCB20JK-106X	C CAPACITOR	10uF 6.3V K	1	
	C6201	NCBA1HK-221W	C CAPACITOR	220pF 50V K	1	
	C6202	NCBA1HK-152W	C CAPACITOR	1500pF 50V K	1	
	C6203	NCB31CK-105X	C CAPACITOR	1uF 16V K	1	
	C6204	NCB20JK-106X	C CAPACITOR	10uF 6.3V K	1	
	C6205	NCB20JK-106X	C CAPACITOR	10uF 6.3V K	1	
	C6301	NCBA1HK-221W	C CAPACITOR	220pF 50V K	1	
	C6302	NCBA1HK-152W	C CAPACITOR	1500pF 50V K	1	
	C6303	NCB31CK-105X	C CAPACITOR	1uF 16V K	1	

MODEL	MARK	MODEL	MARK
GS-TD1BEK	A	GS-TD1BEU	B

Safe	Symbol No.	Parts No.	Parts Name	Description	QTY	Local
	C6304	NCB20JK-106X	C CAPACITOR	10uF 6.3V K	1	
	C6305	NCB20JK-475X	C CAPACITOR	4.7uF 6.3V K	1	
	C6306	NCB20JK-475X	C CAPACITOR	4.7uF 6.3V K	1	
	C6401	NCBA1HK-221W	C CAPACITOR	220pF 50V K	1	
	C6402	NCBA1HK-102W	C CAPACITOR	1000pF 50V K	1	
	C6403	NCB31CK-105X	C CAPACITOR	1uF 16V K	1	
	C6404	NCB20JK-106X	C CAPACITOR	10uF 6.3V K	1	
	C6701	NCBA1EK-472W	C CAPACITOR	4700pF 25V K	1	
	C6702	NCBA1CK-103W	C CAPACITOR	0.01uF 16V K	1	
	C6704	NCB31CK-105X	C CAPACITOR	1uF 16V K	1	
	C6705	NCB11AK-106X	C CAPACITOR	10uF 10V K	1	
	C6706	NCBA1HK-152W	C CAPACITOR	1500pF 50V K	1	
	C6707	NDCA1HJ-151W	C CAPACITOR	150pF 50V J	1	
	C6708	NCB20JK-106X	C CAPACITOR	10uF 6.3V K	1	
	C6801	NCB31CK-105X	C CAPACITOR	1uF 16V K	1	
	C6803	NBG40JM-107X	TA E CAPACITOR	100uF 6.3V M	1	
	C6804	NCBA1AK-104W	C CAPACITOR	0.1uF 10V K	1	
	C6805	NCB31CK-105X	C CAPACITOR	1uF 16V K	1	
	C6806	NCBA1HK-102W	C CAPACITOR	1000pF 50V K	1	
	C6807	NCB31CK-105X	C CAPACITOR	1uF 16V K	1	
	C6808	NCB31CK-105X	C CAPACITOR	1uF 16V K	1	
	C6809	NCB31CK-105X	C CAPACITOR	1uF 16V K	1	
	C6813	NCBA1AK-104W	C CAPACITOR	0.1uF 10V K	1	
	C6901	NCBA1HK-102W	C CAPACITOR	1000pF 50V K	1	
	C6902	NCBA1HK-392W	C CAPACITOR	3900pF 50V K	1	
	C6903	NCB31CK-105X	C CAPACITOR	1uF 16V K	1	
	C6904	NCB20JK-106X	C CAPACITOR	10uF 6.3V K	1	
	C6906	NCB31CK-105X	C CAPACITOR	1uF 16V K	1	
	C6907	NCB31CK-105X	C CAPACITOR	1uF 16V K	1	
	C7302	NCBA1AK-104W	C CAPACITOR	0.1uF 10V K	1	
	R147	NRSA6AJ-103W	MG RESISTOR	10kΩ 1/16W J	1	
	R155	NRSA6AJ-220W	MG RESISTOR	22Ω 1/16W J	1	
△	R606	NRSA6AJ-471W	MG RESISTOR	470Ω 1/16W J	1	
	R803	NRSA6AJ-0R0W	MG RESISTOR	0Ω 1/16W J	1	
	R804	NRSA6AJ-0R0W	MG RESISTOR	0Ω 1/16W J	1	
	R805	NRSA6AJ-103W	MG RESISTOR	10kΩ 1/16W J	1	
	R1005	NRSA6AJ-473W	MG RESISTOR	47kΩ 1/16W J	1	
	R1006	NRSA6AJ-102W	MG RESISTOR	1kΩ 1/16W J	1	
	R1007	NRSA6AJ-474W	MG RESISTOR	470kΩ 1/16W J	1	
	R1011	NRSA6AJ-102W	MG RESISTOR	1kΩ 1/16W J	1	
	R1012	NRSA6AJ-104W	MG RESISTOR	100kΩ 1/16W J	1	
	R1013	NRSA6AJ-102W	MG RESISTOR	1kΩ 1/16W J	1	
	R1014	NRSA6AJ-103W	MG RESISTOR	10kΩ 1/16W J	1	
	R1017	NRSA6AJ-181W	MG RESISTOR	180Ω 1/16W J	1	
	R1018	NRSA6AJ-181W	MG RESISTOR	180Ω 1/16W J	1	
	R1022	NRSA6AJ-103W	MG RESISTOR	10kΩ 1/16W J	1	
	R1030	NRSA6AJ-102W	MG RESISTOR	1kΩ 1/16W J	1	
	R1032	NRSA6AJ-103W	MG RESISTOR	10kΩ 1/16W J	1	
	R1034	NRSA6AJ-105W	MG RESISTOR	1MΩ 1/16W J	1	
	R1035	NRSA6AJ-104W	MG RESISTOR	100kΩ 1/16W J	1	
	R1044	NRSA6AJ-102W	MG RESISTOR	1kΩ 1/16W J	1	
	R1053	NRSA6AJ-474W	MG RESISTOR	470kΩ 1/16W J	1	
	R1065	NRSA6AJ-0R0W	MG RESISTOR	0Ω 1/16W J	1	
	R1066	NRSA6AJ-0R0W	MG RESISTOR	0Ω 1/16W J	1	
	R1070	NRSA6AJ-823W	MG RESISTOR	82kΩ 1/16W J	1	
	R1071	NRSA6AJ-623W	MG RESISTOR	62kΩ 1/16W J	1	
	R1073	NRSA6AJ-103W	MG RESISTOR	10kΩ 1/16W J	1	
	R1074	NRSA6AJ-104W	MG RESISTOR	100kΩ 1/16W J	1	
	R1075	NRSA6AJ-104W	MG RESISTOR	100kΩ 1/16W J	1	
	R1082	NRSA6AJ-105W	MG RESISTOR	1MΩ 1/16W J	1	
	R1084	NRSA6AJ-471W	MG RESISTOR	470Ω 1/16W J	1	
	R2101	NRSA6AJ-221W	MG RESISTOR	220Ω 1/16W J	1	
	R2102	NRSA6AJ-221W	MG RESISTOR	220Ω 1/16W J	1	
	R2103	NRSA6AJ-222W	MG RESISTOR	2.2kΩ 1/16W J	1	
	R2104	NRSA6AJ-222W	MG RESISTOR	2.2kΩ 1/16W J	1	
	R2105	NRSA6AJ-682W	MG RESISTOR	6.8kΩ 1/16W J	1	
	R2106	NRSA6AJ-682W	MG RESISTOR	6.8kΩ 1/16W J	1	
	R2501	NRSA6AJ-100W	MG RESISTOR	10Ω 1/16W J	1	
	R2601	NRSA6AJ-472W	MG RESISTOR	4.7kΩ 1/16W J	1	
	R2602	NRSA6AJ-472W	MG RESISTOR	4.7kΩ 1/16W J	1	
	R2603	NRSA6AJ-183W	MG RESISTOR	18kΩ 1/16W J	1	
	R2701	NRSA6AJ-333W	MG RESISTOR	33kΩ 1/16W J	1	
	R2702	NRSA6AJ-103W	MG RESISTOR	10kΩ 1/16W J	1	
	R2703	NRSA6AJ-103W	MG RESISTOR	10kΩ 1/16W J	1	
	R2704	NRSA6AJ-104W	MG RESISTOR	100kΩ 1/16W J	1	
	R2707	NRSA6AJ-223W	MG RESISTOR	22kΩ 1/16W J	1	
	R2708	NRSA6AJ-472W	MG RESISTOR	4.7kΩ 1/16W J	1	
	R2709	NRSA6AJ-332W	MG RESISTOR	3.3kΩ 1/16W J	1	
	R2710	NRSA6AJ-221W	MG RESISTOR	220Ω 1/16W J	1	
	R2711	NRSA6AJ-221W	MG RESISTOR	220Ω 1/16W J	1	
	R2712	NRSA6AJ-472W	MG RESISTOR	4.7kΩ 1/16W J	1	
	R2801	NRSA6AJ-332W	MG RESISTOR	3.3kΩ 1/16W J	1	
	R2802	NRSA6AJ-821W	MG RESISTOR	820Ω 1/16W J	1	
	R2803	NRSA6AJ-821W	MG RESISTOR	820Ω 1/16W J	1	
	R2805	NRSA6AJ-563W	MG RESISTOR	56kΩ 1/16W J	1	
	R2806	NRSA6AJ-563W	MG RESISTOR	56kΩ 1/16W J	1	
	R2815	NRSA6AD-750W	MG RESISTOR	75Ω 1/16W D	1	
	R3002	NRSA6AD-113W	MG RESISTOR	11kΩ 1/16W D	1	
	R3003	NRSA6AD-153W	MG RESISTOR	15kΩ 1/16W D	1	
	R3004	NRSA6AD-682W	MG RESISTOR	6.8kΩ 1/16W D	1	
	R3006	NRSA6AJ-0R0W	MG RESISTOR	0Ω 1/16W J	1	
	R3007	NRSA6AJ-0R0W	MG RESISTOR	0Ω 1/16W J	1	
	R3008	NRSA6AJ-0R0W	MG RESISTOR	0Ω 1/16W J	1	

MODEL	MARK	MODEL	MARK
GS-TD1BEK	A	GS-TD1BEU	B

Safe	Symbol No.	Parts No.	Parts Name	Description	QTY	Local
	R3009	NRSA6AJ-0R0W	MG RESISTOR	0Ω 1/16W J	1	
	R3010	NRSA6AJ-0R0W	MG RESISTOR	0Ω 1/16W J	1	
	R3011	NRSA6AJ-0R0W	MG RESISTOR	0Ω 1/16W J	1	
	R3013	NRSA6AD-123W	MG RESISTOR	12kΩ 1/16W D	1	
	R3016	NRSA6AJ-0R0W	MG RESISTOR	0Ω 1/16W J	1	
	R3020	NRSA6AJ-0R0W	MG RESISTOR	0Ω 1/16W J	1	
	R3021	NRSA6AJ-0R0W	MG RESISTOR	0Ω 1/16W J	1	
	R3022	NRSA6AJ-0R0W	MG RESISTOR	0Ω 1/16W J	1	
	R3023	NRSA6AJ-0R0W	MG RESISTOR	0Ω 1/16W J	1	
	R3024	NRSA6AJ-0R0W	MG RESISTOR	0Ω 1/16W J	1	
	R3025	NRSA6AJ-0R0W	MG RESISTOR	0Ω 1/16W J	1	
	R3039	NRSA6AD-271W	MG RESISTOR	270Ω 1/16W D	1	
	R3048	NRSA6AJ-0R0W	MG RESISTOR	0Ω 1/16W J	1	
	R3057	NRSA6AJ-0R0W	MG RESISTOR	0Ω 1/16W J	1	
	R3058	NRSA6AJ-0R0W	MG RESISTOR	0Ω 1/16W J	1	
	R3059	NRSA6AJ-0R0W	MG RESISTOR	0Ω 1/16W J	1	
	R3061	NRSA6AJ-0R0W	MG RESISTOR	0Ω 1/16W J	1	
	R3064	NRSA6AJ-102W	MG RESISTOR	1kΩ 1/16W J	1	
	R3065	NRSA6AJ-0R0W	MG RESISTOR	0Ω 1/16W J	1	
	R3067	NRSA6AJ-470W	MG RESISTOR	47Ω 1/16W J	1	
	R3068	NRSA6AJ-470W	MG RESISTOR	47Ω 1/16W J	1	
	R3071	NCBA1AK-104W	C CAPACITOR	0.1uF 10V K	1	
	R3081	NRSA6AJ-0R0W	MG RESISTOR	0Ω 1/16W J	1	
	R3082	NRSA6AJ-0R0W	MG RESISTOR	0Ω 1/16W J	1	
	R3083	NRSA6AJ-0R0W	MG RESISTOR	0Ω 1/16W J	1	
	R3084	NRSA6AJ-0R0W	MG RESISTOR	0Ω 1/16W J	1	
	R3085	NRSA6AJ-0R0W	MG RESISTOR	0Ω 1/16W J	1	
	R3089	NRSA6AJ-0R0W	MG RESISTOR	0Ω 1/16W J	1	
	R3090	NRSA6AJ-0R0W	MG RESISTOR	0Ω 1/16W J	1	
	R3091	NRSA6AJ-0R0W	MG RESISTOR	0Ω 1/16W J	1	
	R3092	NRSA6AJ-0R0W	MG RESISTOR	0Ω 1/16W J	1	
	R3093	NRSA6AJ-0R0W	MG RESISTOR	0Ω 1/16W J	1	
	R3094	NRSA6AJ-0R0W	MG RESISTOR	0Ω 1/16W J	1	
	R3098	NRSA6AJ-0R0W	MG RESISTOR	0Ω 1/16W J	1	
	R3101	NRSA6AJ-0R0W	MG RESISTOR	0Ω 1/16W J	1	
	R3102	NRSA6AJ-0R0W	MG RESISTOR	0Ω 1/16W J	1	
	R3103	NRSA6AJ-0R0W	MG RESISTOR	0Ω 1/16W J	1	
	R3116	NRSA6AJ-220W	MG RESISTOR	22Ω 1/16W J	1	
	R3117	NRSA6AJ-101W	MG RESISTOR	100Ω 1/16W J	1	
	R3118	NRSA6AJ-0R0W	MG RESISTOR	0Ω 1/16W J	1	
	R3123	NRSA6AJ-101W	MG RESISTOR	100Ω 1/16W J	1	
	R3124	NRSA6AJ-101W	MG RESISTOR	100Ω 1/16W J	1	
	R3125	NRSA63J-0R0X	MG RESISTOR	0Ω 1/10W J	1	
	R3126	NRSA6AJ-101W	MG RESISTOR	100Ω 1/16W J	1	
	R3127	NRSA6AJ-101W	MG RESISTOR	100Ω 1/16W J	1	
	R3131	NRSA6AJ-153W	MG RESISTOR	15kΩ 1/16W J	1	
	R3132	NRSA6AJ-153W	MG RESISTOR	15kΩ 1/16W J	1	
	R3133	NRSA6AJ-393W	MG RESISTOR	39kΩ 1/16W J	1	
	R3134	NRSA6AJ-393W	MG RESISTOR	39kΩ 1/16W J	1	
	R3135	NRSA6AJ-473W	MG RESISTOR	47kΩ 1/16W J	1	
	R3136	NRSA6AJ-473W	MG RESISTOR	47kΩ 1/16W J	1	
	R3137	NRSA6AJ-103W	MG RESISTOR	10kΩ 1/16W J	1	
	R3138	NRSA6AJ-153W	MG RESISTOR	15kΩ 1/16W J	1	
	R3139	NRSA6AJ-273W	MG RESISTOR	27kΩ 1/16W J	1	
	R3140	NRSA6AJ-393W	MG RESISTOR	39kΩ 1/16W J	1	
	R3141	NRSA6AJ-102W	MG RESISTOR	1kΩ 1/16W J	1	
	R3142	NRSA6AJ-153W	MG RESISTOR	15kΩ 1/16W J	1	
	R3144	NRSA6AJ-393W	MG RESISTOR	39kΩ 1/16W J	1	
	R3175	NRSA6AJ-0R0W	MG RESISTOR	0Ω 1/16W J	1	
	R4501	NRSA6AJ-101W	MG RESISTOR	100Ω 1/16W J	1	
	R4502	NRSA6AJ-101W	MG RESISTOR	100Ω 1/16W J	1	
	R4806	NRSA6AJ-103W	MG RESISTOR	10kΩ 1/16W J	1	
	R4807	NRSA6AJ-103W	MG RESISTOR	10kΩ 1/16W J	1	
	R4808	NRSA6AJ-103W	MG RESISTOR	10kΩ 1/16W J	1	
	R4809	NRSA6AJ-103W	MG RESISTOR	10kΩ 1/16W J	1	
	R4814	NRSA6AJ-331W	MG RESISTOR	330Ω 1/16W J	1	
	R4815	NRSA6AJ-331W	MG RESISTOR	330Ω 1/16W J	1	
	R4816	NRSA6AJ-331W	MG RESISTOR	330Ω 1/16W J	1	
	R4817	NRSA6AJ-331W	MG RESISTOR	330Ω 1/16W J	1	
	R4818	NRSA6AJ-0R0W	MG RESISTOR	0Ω 1/16W J	1	
	R4819	NRSA6AJ-0R0W	MG RESISTOR	0Ω 1/16W J	1	
	R4820	NRSA6AJ-121W	MG RESISTOR	120Ω 1/16W J	1	
	R4821	NRSA6AJ-121W	MG RESISTOR	120Ω 1/16W J	1	
	R4822	NRSA6AJ-121W	MG RESISTOR	120Ω 1/16W J	1	
	R4823	NRSA6AJ-121W	MG RESISTOR	120Ω 1/16W J	1	
	R4828	NRSA6AJ-123W	MG RESISTOR	12kΩ 1/16W J	1	
	R4829	NRSA6AJ-123W	MG RESISTOR	12kΩ 1/16W J	1	
	R4830	NRSA6AJ-183W	MG RESISTOR	18kΩ 1/16W J	1	
	R4831	NRSA6AJ-183W	MG RESISTOR	18kΩ 1/16W J	1	
	R4832	NRSA6AJ-183W	MG RESISTOR	18kΩ 1/16W J	1	
	R4833	NRSA6AJ-183W	MG RESISTOR	18kΩ 1/16W J	1	
	R4834	NRSA6AJ-331W	MG RESISTOR	330Ω 1/16W J	1	
	R4835	NRSA6AJ-331W	MG RESISTOR	330Ω 1/16W J	1	
	R4836	NRSA6AJ-334W	MG RESISTOR	330kΩ 1/16W J	1	
	R4837	NRSA6AJ-334W	MG RESISTOR	330kΩ 1/16W J	1	
	R4838	NRSA6AJ-394W	MG RESISTOR	390kΩ 1/16W J	1	
	R4839	NRSA6AJ-394W	MG RESISTOR	390kΩ 1/16W J	1	
	R4840	NRSA6AJ-394W	MG RESISTOR	390kΩ 1/16W J	1	
	R4841	NRSA6AJ-394W	MG RESISTOR	390kΩ 1/16W J	1	
	R4842	NRSA6AJ-473W	MG RESISTOR	47kΩ 1/16W J	1	
	R4843	NRSA6AJ-473W	MG RESISTOR	47kΩ 1/16W J	1	
	R4844	NRSA6AJ-473W	MG RESISTOR	47kΩ 1/16W J	1	

MODEL	MARK	MODEL	MARK
GS-TD1BEK	A	GS-TD1BEU	B

Safe	Symbol No.	Parts No.	Parts Name	Description	QTY	Local
	R4845	NRSA6AJ-473W	MG RESISTOR	47kΩ 1/16W J	1	
	R4846	NRSA6AJ-473W	MG RESISTOR	47kΩ 1/16W J	1	
	R4847	NRSA6AJ-473W	MG RESISTOR	47kΩ 1/16W J	1	
	R4848	NRSA6AJ-473W	MG RESISTOR	47kΩ 1/16W J	1	
	R4849	NRSA6AJ-473W	MG RESISTOR	47kΩ 1/16W J	1	
	R4850	NRSA6AJ-821W	MG RESISTOR	820Ω 1/16W J	1	
	R4851	NRSA6AJ-821W	MG RESISTOR	820Ω 1/16W J	1	
	R4862	NRSA6AJ-103W	MG RESISTOR	10kΩ 1/16W J	1	
	R4869	NRSA6AJ-334W	MG RESISTOR	330kΩ 1/16W J	1	
	R4870	NRSA6AJ-334W	MG RESISTOR	330kΩ 1/16W J	1	
	R5006	NRSA6AJ-0R0W	MG RESISTOR	0Ω 1/16W J	1	
	R5007	NRSA6AJ-0R0W	MG RESISTOR	0Ω 1/16W J	1	
	R5008	NRSA6AJ-0R0W	MG RESISTOR	0Ω 1/16W J	1	
	R5017	NRSA6AJ-103W	MG RESISTOR	10kΩ 1/16W J	1	
	R5025	NRSA6AJ-102W	MG RESISTOR	1kΩ 1/16W J	1	
	R5026	NRSA6AJ-102W	MG RESISTOR	1kΩ 1/16W J	1	
	R5029	NRSA6AD-511W	MG RESISTOR	510Ω 1/16W D	1	
	R5030	NRSA6AJ-562W	MG RESISTOR	5.6kΩ 1/16W J	1	
	R5034	NRSA6AJ-0R0W	MG RESISTOR	0Ω 1/16W J	1	
	R5035	NRSA6AJ-0R0W	MG RESISTOR	0Ω 1/16W J	1	
	R5036	NRSA6AJ-102W	MG RESISTOR	1kΩ 1/16W J	1	
	R5037	NRSA6AJ-182W	MG RESISTOR	1.8kΩ 1/16W J	1	
	R5038	NRSA6AJ-182W	MG RESISTOR	1.8kΩ 1/16W J	1	
	R5039	NRSA6AJ-103W	MG RESISTOR	10kΩ 1/16W J	1	
	R5040	NRSA6AJ-103W	MG RESISTOR	10kΩ 1/16W J	1	
	R5042	NRSA6AJ-101W	MG RESISTOR	100Ω 1/16W J	1	
	R5605	NRSA6AJ-0R0W	MG RESISTOR	0Ω 1/16W J	1	
	R5607	NRSA6AJ-222W	MG RESISTOR	2.2kΩ 1/16W J	1	
	R5612	NRSA6AJ-222W	MG RESISTOR	2.2kΩ 1/16W J	1	
	R5625	NRSA6AJ-0R0W	MG RESISTOR	0Ω 1/16W J	1	
	R5627	NRSA6AJ-0R0W	MG RESISTOR	0Ω 1/16W J	1	
	R5628	NRSA6AJ-222W	MG RESISTOR	2.2kΩ 1/16W J	1	
	R5640	NRSA6AJ-223W	MG RESISTOR	22kΩ 1/16W J	1	
	R5642	NRSA6AJ-472W	MG RESISTOR	4.7kΩ 1/16W J	1	
	R5646	NRSA6AJ-472W	MG RESISTOR	4.7kΩ 1/16W J	1	
	R5648	NRSA6AJ-223W	MG RESISTOR	22kΩ 1/16W J	1	
	R5649	NRSA6AJ-472W	MG RESISTOR	4.7kΩ 1/16W J	1	
	R5651	NRSA6AJ-472W	MG RESISTOR	4.7kΩ 1/16W J	1	
	R5653	NRSA6AJ-0R0W	MG RESISTOR	0Ω 1/16W J	1	
	R5654	NRSA6AJ-0R0W	MG RESISTOR	0Ω 1/16W J	1	
	R5655	NRSA6AJ-0R0W	MG RESISTOR	0Ω 1/16W J	1	
	R5657	NRSA6AJ-0R0W	MG RESISTOR	0Ω 1/16W J	1	
	R5658	NRSA6AJ-472W	MG RESISTOR	4.7kΩ 1/16W J	1	
	R5659	NRSA6AJ-471W	MG RESISTOR	470Ω 1/16W J	1	
	R5663	NRSA6AJ-0R0W	MG RESISTOR	0Ω 1/16W J	1	
	R6001	NRSA6AD-684W	MG RESISTOR	680kΩ 1/16W D	1	
	R6002	NRSA6AD-274W	MG RESISTOR	270kΩ 1/16W D	1	
	R6003	NRSA6AD-684W	MG RESISTOR	680kΩ 1/16W D	1	
	R6004	NRSA6AD-154W	MG RESISTOR	150kΩ 1/16W D	1	
	R6005	NRSA6AD-303W	MG RESISTOR	30kΩ 1/16W D	1	
	R6006	NRSA6AD-473W	MG RESISTOR	47kΩ 1/16W D	1	
	R6008	NRSA6AJ-103W	MG RESISTOR	10kΩ 1/16W J	1	
	R6009	NRSA6AJ-104W	MG RESISTOR	100kΩ 1/16W J	1	
	R6010	NRSA6AD-332W	MG RESISTOR	3.3kΩ 1/16W D	1	
	R6011	NRSA6AD-273W	MG RESISTOR	27kΩ 1/16W D	1	
	R6101	NRSA6AJ-362W	MG RESISTOR	3.6kΩ 1/16W J	1	
	R6102	NRSA6AD-123W	MG RESISTOR	12kΩ 1/16W D	1	
	R6103	NRSA6AD-153W	MG RESISTOR	15kΩ 1/16W D	1	
	R6105	NRSA63J-0R0X	MG RESISTOR	0Ω 1/10W J	1	
	R6201	NRSA6AJ-822W	MG RESISTOR	8.2kΩ 1/16W J	1	
	R6202	NRSA6AD-203W	MG RESISTOR	20kΩ 1/16W D	1	
	R6203	NRSA6AD-104W	MG RESISTOR	100kΩ 1/16W D	1	
	R6301	NRSA6AJ-362W	MG RESISTOR	3.6kΩ 1/16W J	1	
	R6302	NRSA6AD-153W	MG RESISTOR	15kΩ 1/16W D	1	
	R6303	NRSA6AD-822W	MG RESISTOR	8.2kΩ 1/16W D	1	
	R6310	NRSA6AJ-0R0W	MG RESISTOR	0Ω 1/16W J	1	
	R6401	NRSA6AJ-362W	MG RESISTOR	3.6kΩ 1/16W J	1	
	R6402	NRSA6AD-303W	MG RESISTOR	30kΩ 1/16W D	1	
	R6403	NRSA6AD-133W	MG RESISTOR	13kΩ 1/16W D	1	
	R6701	NRSA6AJ-561W	MG RESISTOR	560Ω 1/16W J	1	
	R6702	NRSA6AD-433W	MG RESISTOR	43kΩ 1/16W D	1	
	R6703	NRSA6AD-103W	MG RESISTOR	10kΩ 1/16W D	1	
	R6704	NRSA6AD-393W	MG RESISTOR	39kΩ 1/16W D	1	
	R6705	NRSA6AJ-822W	MG RESISTOR	8.2kΩ 1/16W J	1	
	R6706	NRSA6AD-153W	MG RESISTOR	15kΩ 1/16W D	1	
	R6707	NRSA6AD-114W	MG RESISTOR	110kΩ 1/16W D	1	
	R6708	NRSA6AJ-472W	MG RESISTOR	4.7kΩ 1/16W J	1	
	R6709	NRSA6AJ-224W	MG RESISTOR	220kΩ 1/16W J	1	
	R6710	NRSA6AJ-185W	MG RESISTOR	1.8MΩ 1/16W J	1	
	R6711	NRSA6AJ-185W	MG RESISTOR	1.8MΩ 1/16W J	1	
	R6712	NRZ0072-R200X	MG RESISTOR	0.2Ω 1/4W F	1	
	R6801	NRSA6AD-204W	MG RESISTOR	200kΩ 1/16W D	1	
	R6803	NRSA6AD-513W	MG RESISTOR	51kΩ 1/16W D	1	
	R6804	NRSA6AD-104W	MG RESISTOR	100kΩ 1/16W D	1	
	R6805	NRSA6AD-393W	MG RESISTOR	39kΩ 1/16W D	1	
	R6806	NRSA6AD-104W	MG RESISTOR	100kΩ 1/16W D	1	
	R6807	NRSA6AD-104W	MG RESISTOR	100kΩ 1/16W D	1	
	R6808	NRSA6AJ-0R0W	MG RESISTOR	0Ω 1/16W J	1	
	R6810	NRSA6AJ-104W	MG RESISTOR	100kΩ 1/16W J	1	
	R6811	NRSA63J-0R0X	MG RESISTOR	0Ω 1/10W J	1	
	R6814	NRSA6AJ-0R0W	MG RESISTOR	0Ω 1/16W J	1	
	R6901	NRSA6AJ-472W	MG RESISTOR	4.7kΩ 1/16W J	1	
	R6902	NRSA6AJ-102W	MG RESISTOR	1kΩ 1/16W J	1	

MODEL	MARK	MODEL	MARK
GS-TD1BEK	A	GS-TD1BEU	B

Safe	Symbol No.	Parts No.	Parts Name	Description	QTY	Local
	R6904	NRSA6AJ-273W	MG RESISTOR	27kΩ 1/16W J	1	
	R7302	NRSA6AJ-0R0W	MG RESISTOR	0Ω 1/16W J	1	
	R7303	NRSA6AJ-103W	MG RESISTOR	10kΩ 1/16W J	1	
	R7304	NRSA6AJ-561W	MG RESISTOR	560Ω 1/16W J	1	
	R7305	NRSA6AJ-102W	MG RESISTOR	1kΩ 1/16W J	1	
	R7307	NRSA6AJ-0R0W	MG RESISTOR	0Ω 1/16W J	1	
	R7308	NRSA6AJ-0R0W	MG RESISTOR	0Ω 1/16W J	1	
	R7309	NRSA6AJ-0R0W	MG RESISTOR	0Ω 1/16W J	1	
	R7310	NRSA6AJ-0R0W	MG RESISTOR	0Ω 1/16W J	1	
	R7311	NRSA6AJ-0R0W	MG RESISTOR	0Ω 1/16W J	1	
	R7312	NRSA6AJ-0R0W	MG RESISTOR	0Ω 1/16W J	1	
	RA141	NRB04CJ-473W	NET RESISTOR	47kΩ J	1	
	RA803	NRB04CJ-473W	NET RESISTOR	47kΩ J	1	
	RA804	NRB04CJ-473W	NET RESISTOR	47kΩ J	1	
	RA1001	NRB04CJ-103W	NET RESISTOR	10kΩ J	1	
	RA1002	NRB04CJ-102W	NET RESISTOR	1kΩ J	1	
	RA3001	NRB04CJ-0R0W	NET RESISTOR	0Ω J	1	
	RA3002	NRB04CJ-0R0W	NET RESISTOR	0Ω J	1	
	RA3003	NRB04CJ-680W	NET RESISTOR	68Ω J	1	
	RA3004	NRB04CJ-0R0W	NET RESISTOR	0Ω J	1	
	RA3005	NRB04CJ-0R0W	NET RESISTOR	0Ω J	1	
	RA3006	NRB04CJ-0R0W	NET RESISTOR	0Ω J	1	
	RA3007	NRB04CJ-0R0W	NET RESISTOR	0Ω J	1	
	RA3008	NRB04CJ-680W	NET RESISTOR	68Ω J	1	
	RA3011	NRB04CJ-102W	NET RESISTOR	1kΩ J	1	
	RA3012	NRB04CJ-0R0W	NET RESISTOR	0Ω J	1	
	RA3013	NRB04CJ-101W	NET RESISTOR	100Ω J	1	
	RA3015	NRB04CJ-223W	NET RESISTOR	22kΩ J	1	
	RA3018	NRB04CJ-472W	NET RESISTOR	4.7kΩ J	1	
	RA3019	NRB04CJ-102W	NET RESISTOR	1kΩ J	1	
	RA3020	NRB04CJ-102W	NET RESISTOR	1kΩ J	1	
	RA5601	NRB04CJ-0R0W	NET RESISTOR	0Ω J	1	
	RA5602	NRB04CJ-0R0W	NET RESISTOR	0Ω J	1	
	RA5603	NRB04CJ-0R0W	NET RESISTOR	0Ω J	1	
	RA5604	NRB04CJ-0R0W	NET RESISTOR	0Ω J	1	
	L101	NQR0679-003X	CHOKO COIL		1	
	L102	NQR0679-003X	CHOKO COIL		1	
	L131	NQR0654-001X	EMI FILTER		1	
	L2602	NRSA63J-0R0X	MG RESISTOR	0Ω 1/10W J	1	
	L2603	NRSA63J-0R0X	MG RESISTOR	0Ω 1/10W J	1	
	L2604	NQL79GM-470X	COIL	47uH M	1	
	L2605	NQR0154-004X	FERRITE CORE		1	
	L2606	NQR0154-004X	FERRITE CORE		1	
	L2701	NRSA63J-0R0X	MG RESISTOR	0Ω 1/10W J	1	
	L2801	NQR0286-006X	FERRITE BEADS		1	
	L2802	NQR0286-006X	FERRITE BEADS		1	
	L3001	NRSA63J-0R0X	MG RESISTOR	0Ω 1/10W J	1	
	L3002	NRSA63J-0R0X	MG RESISTOR	0Ω 1/10W J	1	
	L3004	NQR0154-004X	FERRITE CORE		1	
	L3005	NQR0154-004X	FERRITE CORE		1	
	L3006	NRSA6AJ-0R0W	MG RESISTOR	0Ω 1/16W J	1	
	L3008	NRSA63J-0R0X	MG RESISTOR	0Ω 1/10W J	1	
	L3022	NRSA6AJ-0R0W	MG RESISTOR	0Ω 1/16W J	1	
	L3024	NRSA63J-0R0X	MG RESISTOR	0Ω 1/10W J	1	
	L3025	NRSA63J-0R0X	MG RESISTOR	0Ω 1/10W J	1	
	L5002	NRSA6AJ-0R0W	MG RESISTOR	0Ω 1/16W J	1	
	L5004	NRSA6AJ-0R0W	MG RESISTOR	0Ω 1/16W J	1	
	L6101	NQLG4EM-390X	COIL	39uH M	1	
	L6201	NQL52EM-390X	COIL	39uH M	1	
	L6301	NQLG4EM-390X	COIL	39uH M	1	
	L6401	NQLG4EM-390X	COIL	39uH M	1	
	L6701	NQL52EM-470X	COIL	47uH M	1	
	L6901	NQL79GM-470X	COIL	47uH M	1	
	L7301	NRSA02J-0R0X	MG RESISTOR	0Ω 1/10W J	1	
△	BT602	QAB0040-001	LITHIUM BATTERY		1	
	CN101	QGF0534F6-28X	CONNECTOR	FFC/FPC (1-28)	1	
	CN104	QGA1002C1-06X	CONNECTOR	W-B (1-6)	1	
	CN109	QGF0543F3-06X	CONNECTOR	FFC/FPC (1-6)	1	
	CN110	QGB0519J1-30X	CONNECTOR	B-B (1-30)	1	
	CN114	NNZ0239-001X	SD CARD CONNE		1	
	CN211	QGA1001F1-04X	CONNECTOR	W-B (1-4)	1	
	CN403	QGF0321F1-51X	CONNECTOR	FFC/FPC (1-51)	1	
	CN4501	QGF0319F1-31X	CONNECTOR	FFC/FPC (1-31)	1	
	CN4502	QGF0319F1-31X	CONNECTOR	FFC/FPC (1-31)	1	
	CN4901	QGF0319F1-31X	CONNECTOR	FFC/FPC (1-31)	1	
	CN4902	QGF0319F1-31X	CONNECTOR	FFC/FPC (1-31)	1	
△	F6001	NMFZ007-2R5X-K	FUSE	2.5A 24V	1	
△	F6002	NMFZ007-2R5X-K	FUSE	2.5A 24V	1	
	J101	NNZ0246-001X	USB CONNECTOR		1	
	J102	NNZ0259-001X	HDMI CONNECTOR		1	
	J211	QNS0297-001X	3.5 JACK		1	
	J281	QNS0297-001X	3.5 JACK		1	
	J6001	QNA0040-001	DC JACK		1	
	K141	NQR0129-003X	FERRITE BEADS		1	
	K801	NRSA63J-0R0X	MG RESISTOR	0Ω 1/10W J	1	
	K2101	NRSA6AJ-0R0W	MG RESISTOR	0Ω 1/16W J	1	
	K2102	NRSA6AJ-0R0W	MG RESISTOR	0Ω 1/16W J	1	
	K2103	NRSA6AJ-0R0W	MG RESISTOR	0Ω 1/16W J	1	
	K2105	NQR0286-006X	FERRITE BEADS		1	
	K2106	NQR0286-006X	FERRITE BEADS		1	
	K2107	NQR0286-006X	FERRITE BEADS		1	
△	K4501	NQR0286-006X	FERRITE BEADS		1	

MODEL	MARK	MODEL	MARK
GS-TD1BEK	A	GS-TD1BEU	B

Safe	Symbol No.	Parts No.	Parts Name	Description	QTY	Local
K4801		NQLJ93M-100X	COIL	10uH M	1	
K4802		NQLJ93M-100X	COIL	10uH M	1	
K4803		NQLJ93M-100X	COIL	10uH M	1	
K4804		NQLJ93M-100X	COIL	10uH M	1	
K4805		NQR0286-006X	FERRITE BEADS		1	
K4806		NQR0286-006X	FERRITE BEADS		1	
K4807		NQR0286-006X	FERRITE BEADS		1	
K4808		NQR0286-006X	FERRITE BEADS		1	
K5601		NQR0154-004X	FERRITE CORE		1	
K5602		NRSA63J-0R0X	MG RESISTOR	0Ω 1/10W J	1	
K5603		NRSA63J-0R0X	MG RESISTOR	0Ω 1/10W J	1	
K5604		NRSA63J-0R0X	MG RESISTOR	0Ω 1/10W J	1	
K5606		NRSA63J-0R0X	MG RESISTOR	0Ω 1/10W J	1	
K5607		NRSA63J-0R0X	MG RESISTOR	0Ω 1/10W J	1	
K5608		NRSA63J-0R0X	MG RESISTOR	0Ω 1/10W J	1	
K5609		NQR0154-004X	FERRITE CORE		1	
TP1		NNZ0163-001X	EARTH TERMINAL		1	
TP2		NNZ0163-001X	EARTH TERMINAL		1	
TP3		NNZ0163-001X	EARTH TERMINAL		1	
TP4		NNZ0252-001X	EARTH TERMINAL	TAKEUCHI	1	
TP5		NNZ0163-001X	EARTH TERMINAL		1	
X1001		NAX0491-001X	CRYSTAL	32.768kHz	1	
X3001		NAX1118-001X	C RESONATOR		1	
X4501		NAX1155-001X	CXO		1	
CTL-DIAL BOARD ASSEMBLY <03>						
PW301		LYA10276-01A3	CTL-DIAL BOARD ASSY		1	
CN301		QGF0543F3-06X	CONNECTOR	FFC/FPC (1-6)	1	
S301		NSW0339-001X	ROTARY ENCODER		1	
OPERATION BOARD ASSEMBLY <04>						
PW401		LYA10276-01A1	OPERATION BOARD ASSY		1	
IC401		KSM-2003TN5B	IR DETECT UNIT		1	
IC9405		NAL0094-001X	GYRO SENSOR		1	
D410		KLB-16B-X	LED		1	
D412		SML-D12M8W-X	LED		1	
D413		SML-D12V8W/PQ-X	LED		1	
C9411		NCBA1CK-103W	C CAPACITOR	0.01uF 16V K	1	
C9412		NCBA1CK-473W	C CAPACITOR	0.047uF 16V K	1	
C9413		NCBA1EK-472W	C CAPACITOR	4700pF 25V K	1	
C9414		NCBA1CK-473W	C CAPACITOR	0.047uF 16V K	1	
C9415		NCJ20JM-226X-A	C CAPACITOR	22uF 6.3V M	1	
C9416		NCBA1AK-104W	C CAPACITOR	0.1uF 10V K	1	
C9417		NCBA1CK-103W	C CAPACITOR	0.01uF 16V K	1	
C9418		NCBA1AK-104W	C CAPACITOR	0.1uF 10V K	1	
C9419		NCBA1EK-472W	C CAPACITOR	4700pF 25V K	1	
C9420		NCB31CK-105X	C CAPACITOR	1uF 16V K	1	
C9421		NCB31CK-105X	C CAPACITOR	1uF 16V K	1	
C9422		NCJ20JM-226X-A	C CAPACITOR	22uF 6.3V M	1	
R401		NRSA6AJ-682W	MG RESISTOR	6.8kΩ 1/16W J	1	
R402		NRSA6AJ-153W	MG RESISTOR	15kΩ 1/16W J	1	
R403		NRSA6AJ-473W	MG RESISTOR	47kΩ 1/16W J	1	
R404		NRSA6AJ-682W	MG RESISTOR	6.8kΩ 1/16W J	1	
R407		NRSA6AJ-682W	MG RESISTOR	6.8kΩ 1/16W J	1	
R9413		NRSA6AJ-0R0W	MG RESISTOR	0Ω 1/16W J	1	
R9414		NRSA6AJ-222W	MG RESISTOR	2.2kΩ 1/16W J	1	
R9415		NRSA6AJ-104W	MG RESISTOR	100kΩ 1/16W J	1	
R9416		NRSA6AJ-0R0W	MG RESISTOR	0Ω 1/16W J	1	
R9417		NRSA6AJ-222W	MG RESISTOR	2.2kΩ 1/16W J	1	
R9420		NRSA6AJ-104W	MG RESISTOR	100kΩ 1/16W J	1	
CN401		QGF0534F6-28X	CONNECTOR	FFC/FPC (1-28)	1	
CN402		QGF0534F6-06X	CONNECTOR	FFC/FPC (1-6)	1	
CN403		QGF0543F3-10X	CONNECTOR	FFC/FPC (1-10)	1	
K9401		NQR0286-004X	FERRITE BEADS		1	
S401		NSW0323-001X	TACT SWITCH		1	
S402		NSW0198-001X	TACT SWITCH		1	
S403		NSW0198-001X	TACT SWITCH		1	
S404		NSW0198-001X	TACT SWITCH		1	
S405		NSW0198-001X	TACT SWITCH		1	
S406		NSW0198-001X	TACT SWITCH		1	
S407		NSW0198-001X	TACT SWITCH		1	
TP401		NNZ0163-001X	EARTH TERMINAL		1	
TP402		NNZ0163-001X	EARTH TERMINAL		1	
BATT BOARD ASSEMBLY <05>						
PW501		LYA10276-01A2	BATT BOARD ASSY		1	
D603		DZ2J068/M-X	Z DIODE		1	
D603	or	UDZW6.8B-X	Z DIODE		1	
D603	or	RKZ6.8B2KG-X	Z DIODE		1	
C601		NCBA1AK-104W	C CAPACITOR	0.1uF 10V K	1	
CN601		QGA1002F1-06X	CONNECTOR	W-B (1-6)	1	
J601		LY35422-001A	BATT.TERM UNIT		1	
RCU-WB BOARD ASSEMBLY <06>						
PW601		LYA10276-01A5	RCU-WB BOARD ASSY		1	
IC4001		GP1UF311Y-X	IR DETECT UNIT		1	
CN4001		QGF0565C1-06W	CONNECTOR	FFC/FPC (1-6)	1	
MONITOR BOARD ASSEMBLY <07>						
PW701		LYA10279-04A	MONITOR BOARD ASSY		1	
IC701		HGDESN031A-X	IC		1	
IC7001		BU7964GUW-X	IC		1	
IC7501		TC7W125FU-X	IC(DIGITAL)		1	
IC7502		MAX17062ETB-X	IC		1	

MODEL	MARK	MODEL	MARK
GS-TD1BEK	A	GS-TD1BEU	B

Safe	Symbol No.	Parts No.	Parts Name	Description	QTY	Local	
	IC7701	RT9293BGJ6-X	IC		1		
	Q7201	RT1P432U-X	DIGI TRANSISTOR		1		
	Q7201	or DRA9143X-X	DIGI TRANSISTOR		1		
	Q7206	RT3T11M-X	DIGI TRANSISTOR		1		
	Q7207	RT3T11M-X	DIGI TRANSISTOR		1		
	Q7501	RT1N441U-X	DIGI TRANSISTOR		1		
	Q7501	or DRC9144E-X	DIGI TRANSISTOR		1		
	Q7502	RT1N441U-X	DIGI TRANSISTOR		1		
	Q7502	or DRC9144E-X	DIGI TRANSISTOR		1		
	D7002	DB2J314-X	SB DIODE		1		
	D7501	DB2J407-X	SB DIODE		1		
	D7701	NSSW206A/T484-X	LED		1		
	D7702	NSSW206A/T484-X	LED		1		
	D7703	NSSW206A/T484-X	LED		1		
	D7704	NSSW206A/T484-X	LED		1		
	D7705	NSSW206A/T484-X	LED		1		
	D7706	NSSW206A/T484-X	LED		1		
	D7707	NSSW206A/T484-X	LED		1		
	D7708	NSSW206A/T484-X	LED		1		
	D7709	DB2J501-X	SB DIODE		1		
	C7001	NCBA1AK-104W	C CAPACITOR	0.1uF 10V K	1		
	C7005	NCB31CK-105X	C CAPACITOR	1uF 16V K	1		
	C7006	NCB31AK-474X	C CAPACITOR	0.47uF 10V K	1		
	C7007	NCB31CK-105X	C CAPACITOR	1uF 16V K	1		
	C7008	NCB20JK-475X	C CAPACITOR	4.7uF 6.3V K	1		
	C7009	NCB20JK-475X	C CAPACITOR	4.7uF 6.3V K	1		
	C7010	NCB31CK-105X	C CAPACITOR	1uF 16V K	1		
	C7011	NCB31CK-105X	C CAPACITOR	1uF 16V K	1		
	C7012	NCB21AK-475X	C CAPACITOR	4.7uF 10V K	1		
	C7013	NCB31CK-105X	C CAPACITOR	1uF 16V K	1		
	C7014	NCB21CK-475X	C CAPACITOR	4.7uF 16V K	1		
	C7015	NCB31CK-105X	C CAPACITOR	1uF 16V K	1		
	C7016	NCB21AK-475X	C CAPACITOR	4.7uF 10V K	1		
	C7203	NCBA1EK-472W	C CAPACITOR	4700pF 25V K	1		
	C7204	NCBA1EK-472W	C CAPACITOR	4700pF 25V K	1		
	C7507	NCBA1CK-103W	C CAPACITOR	0.01uF 16V K	1		
	C7511	NCB31CK-105X	C CAPACITOR	1uF 16V K	1		
	C7512	NCB11AK-106X	C CAPACITOR	10uF 10V K	1		
	C7513	NCB11AK-106X	C CAPACITOR	10uF 10V K	1		
	C7514	NCB11AK-106X	C CAPACITOR	10uF 10V K	1		
	C7515	NCBA1CK-333W	C CAPACITOR	0.033uF 16V K	1		
	C7516	NCBA1HK-561W	C CAPACITOR	560pF 50V K	1		
	C7701	NCB30JK-225X	C CAPACITOR	2.2uF 6.3V K	1		
	C7702	NCB41HK-105X	C CAPACITOR	1uF 50V K	1		
	R7001	NRSA6AJ-103W	MG RESISTOR	10kΩ 1/16W J	1		
	R7003	NRSA6AJ-0R0W	MG RESISTOR	0Ω 1/16W J	1		
	R7004	NRSA6AJ-561W	MG RESISTOR	560Ω 1/16W J	1		
	R7005	NRSA6AJ-102W	MG RESISTOR	1kΩ 1/16W J	1		
	R7201	NRSA6AJ-104W	MG RESISTOR	100kΩ 1/16W J	1		
	R7525	NRSA6AJ-0R0W	MG RESISTOR	0Ω 1/16W J	1		
	R7526	NRSA6AJ-0R0W	MG RESISTOR	0Ω 1/16W J	1		
	R7532	NRSA6AJ-103W	MG RESISTOR	10kΩ 1/16W J	1		
	R7533	NRSA6AJ-103W	MG RESISTOR	10kΩ 1/16W J	1		
	R7535	NRSA6AJ-0R0W	MG RESISTOR	0Ω 1/16W J	1		
	R7537	NRSA63J-220X	MG RESISTOR	22Ω 1/16W J	1		
	R7538	NRSA6AJ-473W	MG RESISTOR	47kΩ 1/16W J	1		
	R7539	NRSA6AD-392W	MG RESISTOR	3.9kΩ 1/16W D	1		
	R7540	NRSA6AD-153W	MG RESISTOR	15kΩ 1/16W D	1		
	R7701	NRSA6AJ-823W	MG RESISTOR	82kΩ 1/16W J	1		
	R7702	NRSA6AJ-103W	MG RESISTOR	10kΩ 1/16W J	1		
	R7703	NRSA6AJ-100W	MG RESISTOR	10Ω 1/16W J	1		
	L7001	NQL382M-100X	COIL	10uH M	1		
	L7002	NRSA02J-0R0X	MG RESISTOR	0Ω 1/10W J	1		
	L7003	NRSA02J-0R0X	MG RESISTOR	0Ω 1/10W J	1		
	L7501	NRSA02J-0R0X	MG RESISTOR	0Ω 1/10W J	1		
	L7502	NQLJ5EM-470X	P COIL	47uH M	1		
	L7503	NRSA02J-0R0X	MG RESISTOR	0Ω 1/10W J	1		
	L7701	NRSA02J-0R0X	MG RESISTOR	0Ω 1/10W J	1		
	L7702	NQLJ5EM-100X	P COIL	10uH M	1		
	CN701	QGF0319F1-41X	CONNECTOR	FFC/FPC (1-41)	1		
	CN702	QGF0528F4-08X	CONNECTOR	FFC/FPC (1-8)	1		
	CN704	QGF0528F4-08X	CONNECTOR	FFC/FPC (1-8)	1		
	CN7003	QGF0319F2-61X	CONNECTOR	FFC/FPC (1-61)	1		
	F7501	NMFZ007-R20X-K	FUSE	0.2A 50V	1		
	SW BOARD ASSEMBLY <08>						
	PW801	LYA10276-01A6	SW BOARD ASSY		1		
	CN701	QGF0543F3-06X	CONNECTOR	FFC/FPC (1-6)	1		
	CN702	QGA1001F1-02X	CONNECTOR	W-B (1-2)	1		
	S701	NSW0322-001X	LEVER SWITCH		1		
	JUNCTION BOARD ASSEMBLY <09>						
	PW901	LYA10276-01A4	JUNCTION BOARD ASSY		1		
	D2901	DZ2J068/M-X	Z DIODE		1		
	D2901	or UDZW6.8B-X	Z DIODE		1		
	C2908	NCBA1HK-102W	C CAPACITOR	1000pF 50V K	1		
	C2909	NCBA1HK-102W	C CAPACITOR	1000pF 50V K	1		
	C2910	NCB20JK-475X	C CAPACITOR	4.7uF 6.3V K	1		
	L2902	NQR0286-006X	FERRITE BEADS		1		
	L2903	NQR0286-006X	FERRITE BEADS		1		
	CN801	QGF0543F3-10X	CONNECTOR	FFC/FPC (1-10)	1		
	CN802	QGF0534F6-06X	CONNECTOR	FFC/FPC (1-6)	1		
	J291	QNS0297-001X	3.5 JACK		1		
	OT1	LY30035-0S3A	SPACER(A)		1		