

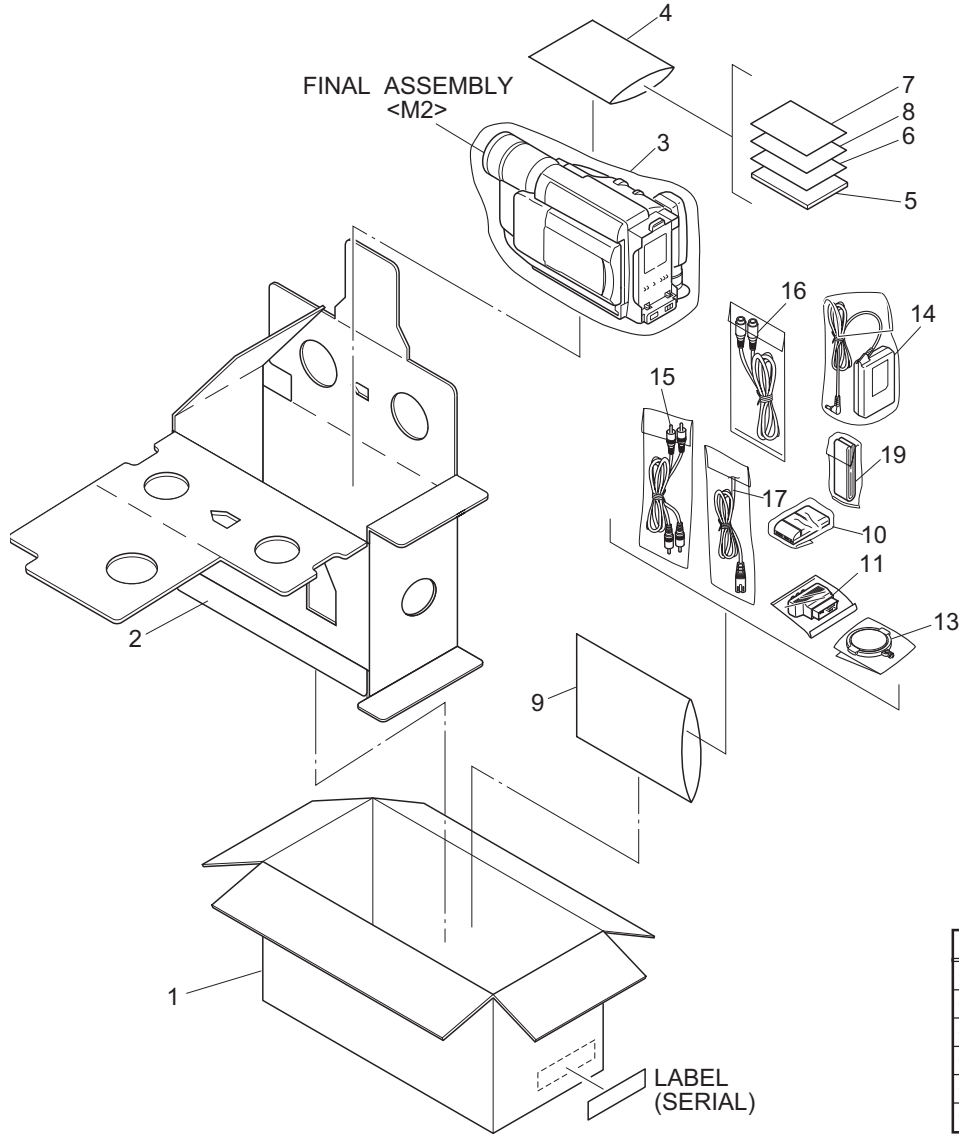
# PARTS LIST

## SAFETY PRECAUTION

Parts identified by the  $\triangle$  symbol are critical for safety. Replace only with specified part numbers.

### 1. PACKING AND ACCESSORY ASSY <M1>

The instruction manual to be provided with this product will differ according to the destination.



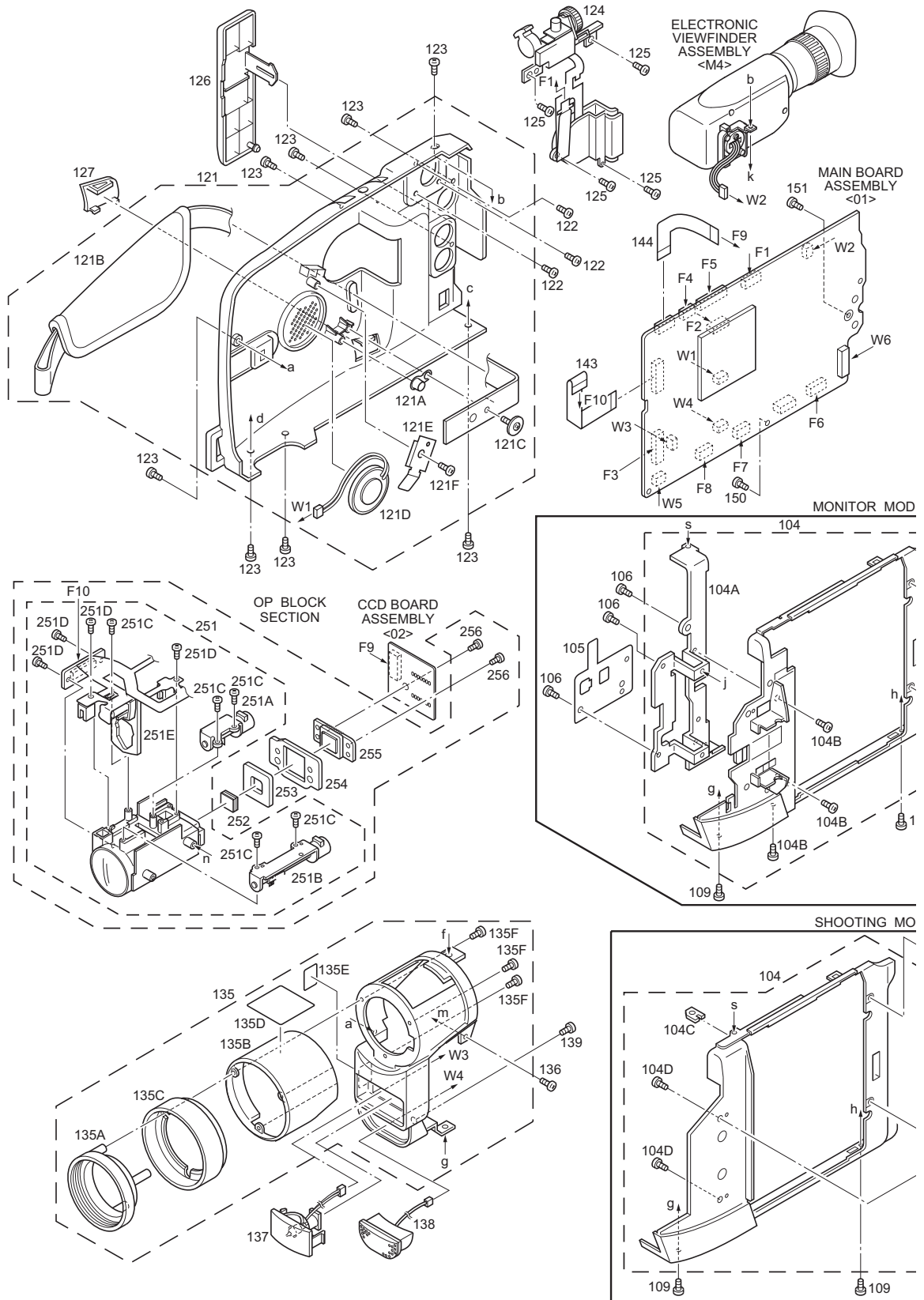
### PACKING AND ACCESSORY ASSY <M1>

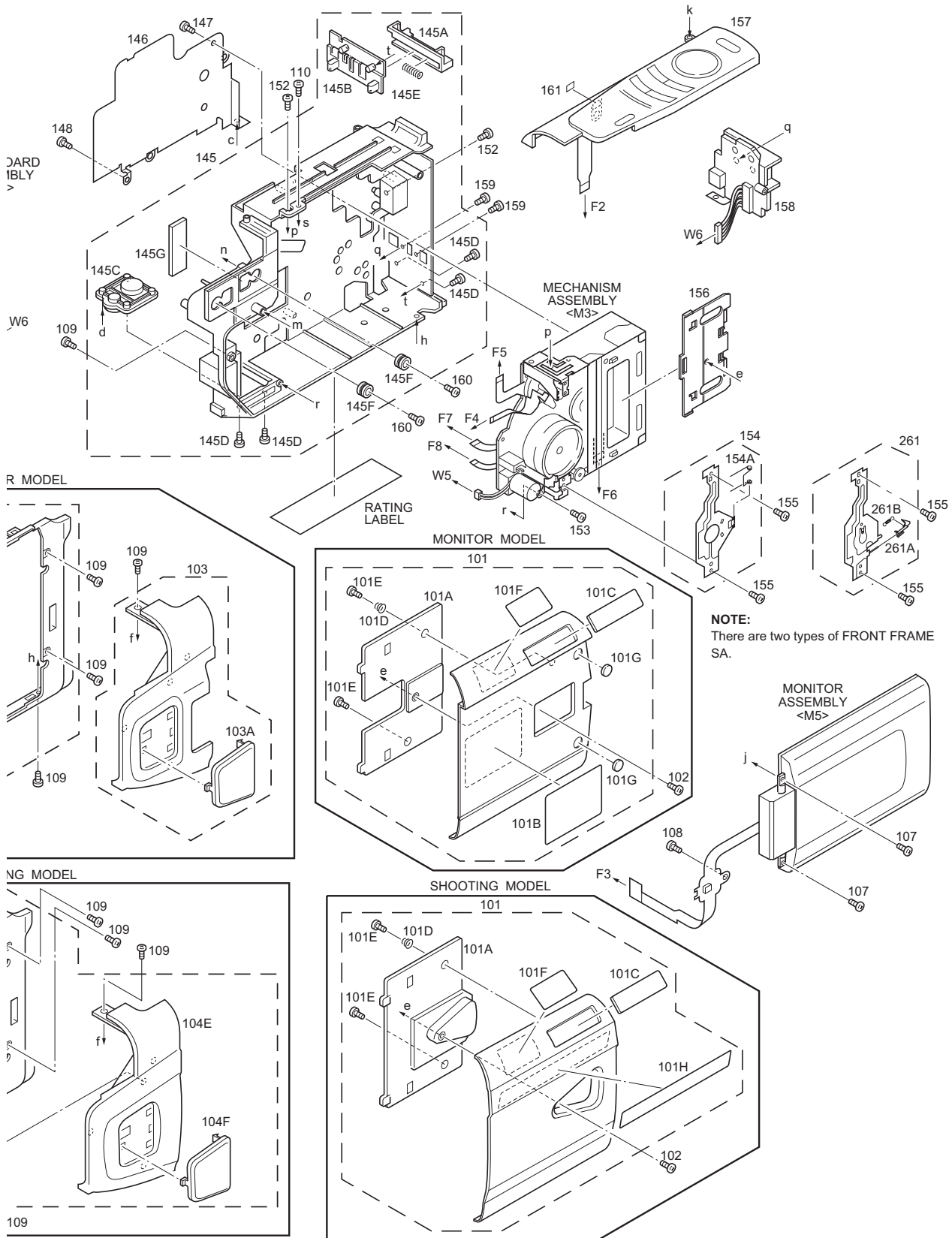
$\triangle$ Symbol No.	Part No.	Part Name	Description	Local	$\triangle$ Symbol No.	Part No.	Part Name	Description	Local
1	LY33071-002B	PACKING CASE		A,B,C	$\triangle$ 5	LYT1060-014B	INST BOOK	(HUNGARIAN)	C,F
1	LY33071-001B	PACKING CASE		D,E,F	6	LYT0194-001B	Q.CARD	(JUK)	A,D
2	LY33075-001B	CUSHION			7	BT-54008-4	GUARANTY CARD		A,D
3	LY30023-002A	POLY BAG			8	BT-54013-5	WARRANTY CARD		B,C,E,F
4	QPA02003506P	POLY BAG	20cm x 35cm	A,D	9	QPA02003506P	POLY BAG	20cm x 35cm	A,D
4	QPA02003506	POLY BAG	20cm x 35cm	B,C,E,F	9	QPA02003506	POLY BAG	20cm x 35cm	B,C,E,F
$\triangle$ 5	LYT1061-001B	INST BOOK	(ENGLISH)	A,D	$\triangle$ 10	YQ10629E	BATTERY PACK ASSY		
$\triangle$ 5	LYT1060-002C	INST BOOK	(GERMAN)	B,E	11	PEMC1174	CONNECTOR		
$\triangle$ 5	LYT1060-003C	INST BOOK	(FRENCH)	B,E	13	LY43388-001A	LENS CAP ASSY		
$\triangle$ 5	LYT1060-004C	INST BOOK	(DUTCH)	B,E	$\triangle$ 14	LY20955-001C	AC ADAPTER	AP-V13E	
$\triangle$ 5	LYT1060-005C	INST BOOK	(SPANISH)	B,E	$\triangle$ 14	or LY20956-001B	AC ADAPTER	AP-V11E	
$\triangle$ 5	LYT1060-006C	INST BOOK	(ITALIAN)	B,E	15	PEAC0362-150	A/V RCA CABLE		
$\triangle$ 5	LYT1060-011B	INST BOOK	(RUSSIAN)	C,F	16	QAM0004-003	S CABLE		
$\triangle$ 5	LYT1060-012B	INST BOOK	(CZECH)	C,F	$\triangle$ 17	QMPP110-190-JR	POWER CORD(EK)	1.9m BLACK	A,D
$\triangle$ 5	LYT1060-013B	INST BOOK	(POLISH)	C,F	$\triangle$ 17	QMPL120-190-JR	POWER CORD(EU)	1.9m BLACK	B,C,E,F
					19	LY20186-001A	SHOULDER STRAP		

## 2. FINAL ASSY <M2>

### BEWARE OF BOGUS PARTS

Parts that do not meet specifications may cause trouble in regard to safety and performance. We recommend that genuine JVC parts be used.





## FINAL ASSEMBLY <M2>

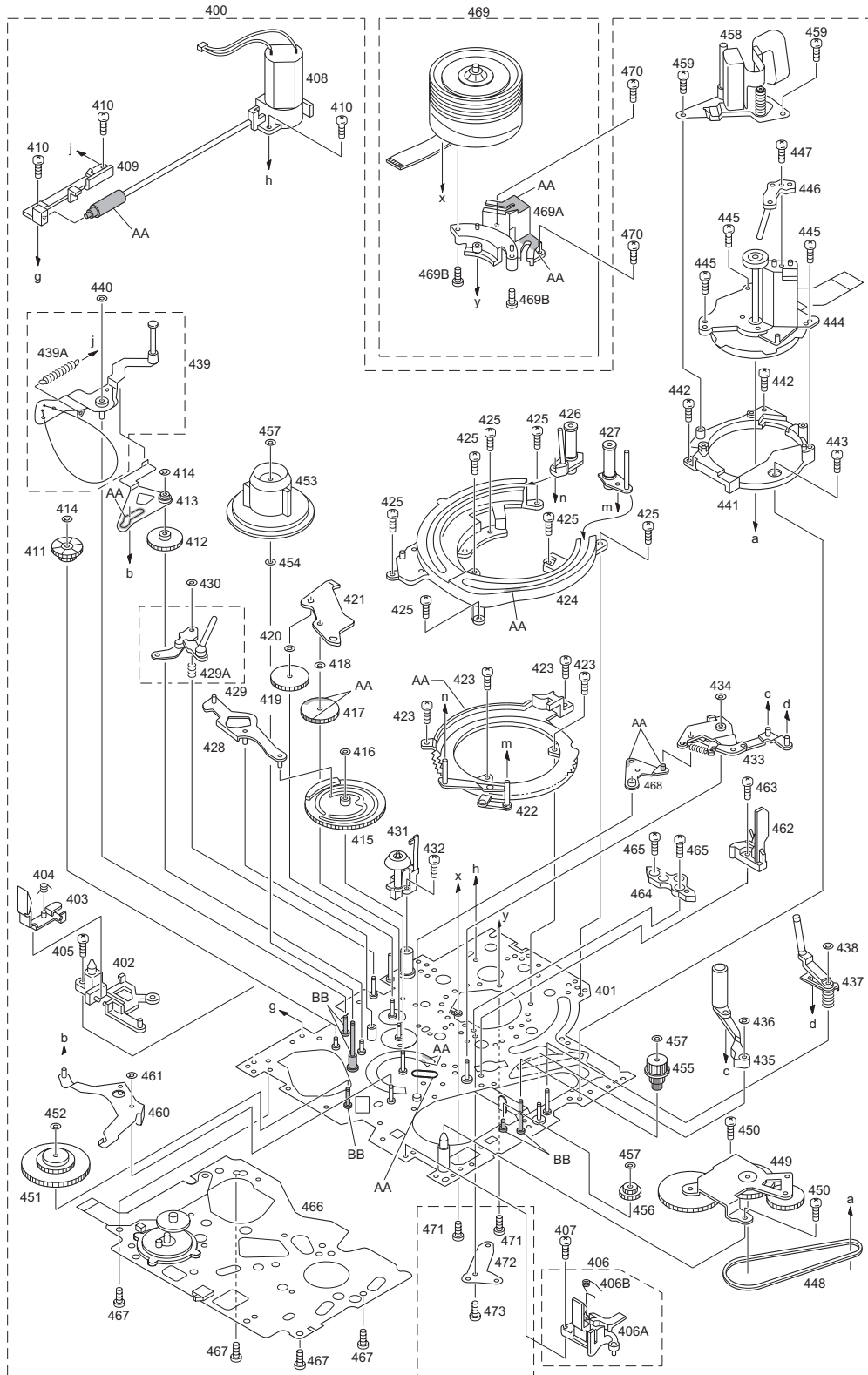
△ Symbol No.	Part No.	Part Name	Description	Local
101	LY20928-003D	C.COVER(S) ASSY		A
101	LY20928-001D	C.COVER(S) ASSY		B,C
101	LY20927-001C	C.COVER(M) ASSY		D
101	LY20927-002C	C.COVER(M) ASSY		E,F
101A	LY32959-001A	P.PLATE (S)		A,B,C
101A	LY32952-001A	P.PLATE(M)		D,E,F
101B	LY44124-001B	LABEL (CAUTION)		D,E,F
101C	LY42883-001B	MARK		
101D	LY43336-001A	SPRING		
101E	YQ43762	SPECIAL SCREW	(x2)	
101F	LY44007-001A	STICKER(C)		B,C,E,F
101G	LY40076-001A	SPACER	(x2)	D,E,F
101H	LY43982-001A	STICKER(B)		A,B,C
102	QYSLSF20D0R	TAP SCREW	2mm x 13mm	A,B,C
102	QYSLSF2060D	TAP SCREW	2mm x 6mm	D,E,F
103	LY33068-001C	COV.(UPPER/M)ASSY		D,E,F
103A	LY20917-001A	ORNAMENT		D,E,F
104	LY20954-001D	UPPER CASE(S)ASSY		A,B,C
104	LY20950-001C	UPPER CASE(M)ASSY		D,E,F
104A	LY20918-001B	BRACKET(MON.)		D,E,F
104B	QYSLSP2020D	SCREW	2mm x 2mm(x3)	D,E,F
104C	LY43988-001A	BRACKET		A,B,C
104D	QYSLSF2060D	TAP SCREW	2mm x 6mm(x2)	A,B,C
104E	LY10415-001D	COVER(UPPER/S)		A,B,C
104F	LY20917-001A	ORNAMENT		A,B,C
105	LY43942-001B	SHEET(FPC)		D,E,F
106	QYSLSF2060Z	TAP SCREW	2mm x 6mm(x3)	D,E,F
107	LY30018-090A	SPECIAL SCREW	(x2)	D,E,F
108	QYSLSP2030D	SCREW	2mm x 3mm	D,E,F
109	QYSLSF2060D	TAP SCREW	2mm x 6mm(x6)	
110	QYSLSP2030D	SCREW	2mm x 3mm	
121	LY20925-002C	LOWER CASE ASSY		A,B,C
121	LY20925-001D	LOWER CASE ASSY		D,E,F
121A	LY40081-001A	CAP		
121B	LY20682-001A	GRIP BELT		
121C	LY30018-003A	SPECIAL SCREW		
121D	QAS0061-001	SPEAKER		D,E,F
121E	LY42764-001B	HOLDER(SPEAKER)		D,E,F
121F	QYSLSF2050Z	TAP SCREW	2mm x 5mm	D,E,F
122	QYSLSF2050Z	TAP SCREW	2mm x 5mm(x3)	
123	QYSLSF2060D	TAP SCREW	2mm x 6mm(x8)	
124	LY10393-001B	ZOOM UNIT		
125	QYSLSF2050Z	TAP SCREW	2mm x 5mm(x4)	
126	LY31945-003A	COVER(JACK)		
127	LY32955-001A	COVER(JIG)		
135	LY20926-001C	F. COVER ASSY		
135A	LY32951-001C	HOOD		
135B	LY32949-001A	RING		
135C	LY32950-001A	COVER(HOOD)		
135D	LY43983-001A	STICKER(A)		
△ 135E	LY44141-001A	CAUTION LABEL		
135F	QYSLSF2070D	SPECIAL SCREW	2mm x 7mm(x3)	
136	QYSLSF2060D	TAP SCREW	2mm x 6mm	
137	LY33067-001A	DC LIGHT		
138	LY32981-001A	MIC		
139	QYSLSF2070D	SPECIAL SCREW	2mm x 7mm	
143	WJT0086-001A	E-CARD WIRE	OP BLOCK - MAIN CN15	
144	QAL0450-001	FPC	MAIN CN22 - CCD CN5301	
145	LY20949-001B	FRAME ASSY		
145A	LY32972-001A	KNOB(BATT.)		
145B	LY32973-001B	HOLDER(KNOB)		
145C	YQ31843	BASE		
145D	QYSLSF2060D	TAP SCREW	2mm x 6mm(x4)	
145E	LY30002-053A	COMPRES. SPRING		
145F	LY41082-001A	CUSHION(OP)	(x2)	
145G	LY30029-0A4A	SPACER(A)		
146	LY32966-001A	S.CASE(MAIN)		
147	QYSPSPU1720Z	SCREW	1.7mm x 2mm	
148	QYSPSTU1725M	TAP SCREW	1.7mm x 2.5mm	
150	QYSLSF2060D	TAP SCREW	2mm x 6mm	
151	QYSLSF2060D	TAP SCREW	2mm x 6mm	
152	LY41173-001A	SPECIAL SCREW	(x2)	
153	QYSLSF1750D	TAP SCREW	1.7mm x 5mm	
154	LY31790-001A	FRONT FRAME ASSY		
154A	YQ44144-1-1	TAPE GUIDE		
155	SPSH1725M	SCREW	(x2)	

△ Symbol No.	Part No.	Part Name	Description	Local
156	LY32953-001A	C.COVER INSIDE		
157	LY10392-001C	TOP OPE UNIT		
158	LY20952-001C	REAR BOARD ASSY		
159	QYSLSF2060D	TAP SCREW	2mm x 6mm(x2)	
160	LY30018-0G9A	SPECIAL SCREW	(x2)	
161	LY30030-072A	SPACER(A)		
251	LY33085-001A	OP BLOCK ASSY		
251A	LY30724-001B	FOCUS MOTOR		
251B	LY30723-001B	ZOOM MOTOR		
251C	PTY31727-216	SCERW	(x5)	
251D	PTY33085-001	SCERW	(x4)	
251E	PTY33085-006	IRIS MOTOR UNIT		
252	LY44004-001A	OP LPF		
253	LY44005-001A	SHEET		
254	LY32975-001A	SPACER		
255	LYH30437-001	CCD BASE ASSY		
256	LY30018-011A	SPECIAL SCREW	(x2)	
261	LY44193-001B	FRONT FRAME SA		
261A	LY33428-001B	TAPE GUIDE		
261B	LY44176-002A	TENSION SPRING		

### 3. MECHANISM ASSEMBLY <M3>

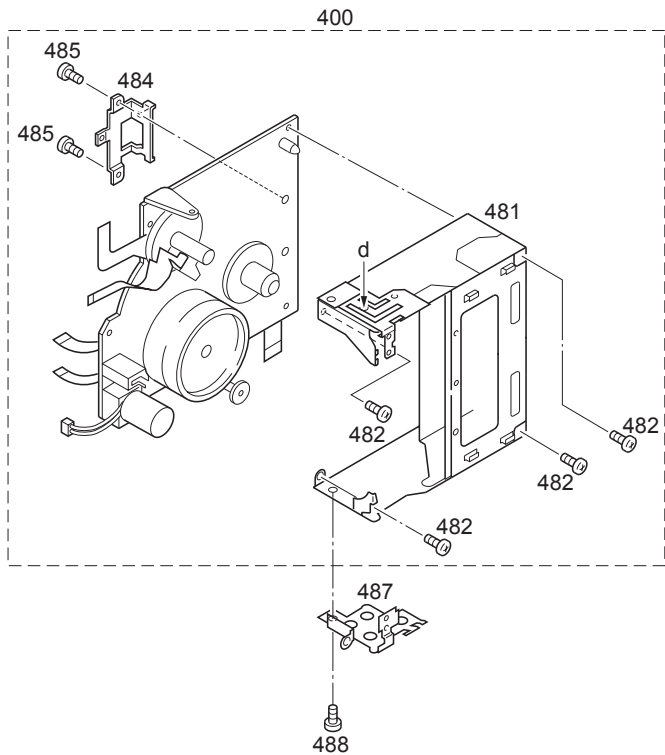
#### BEWARE OF BOGUS PARTS

Parts that do not meet specifications may cause trouble in regard to safety and performance. We recommend that genuine JVC parts be used.



Classification	Part No.	Symbol in drawing
Grease	KYODO-SH-JP	AA
Oil	YTU94027	BB

**NOTE:** The section marked in AA and BB indicate lubrication and greasing areas.

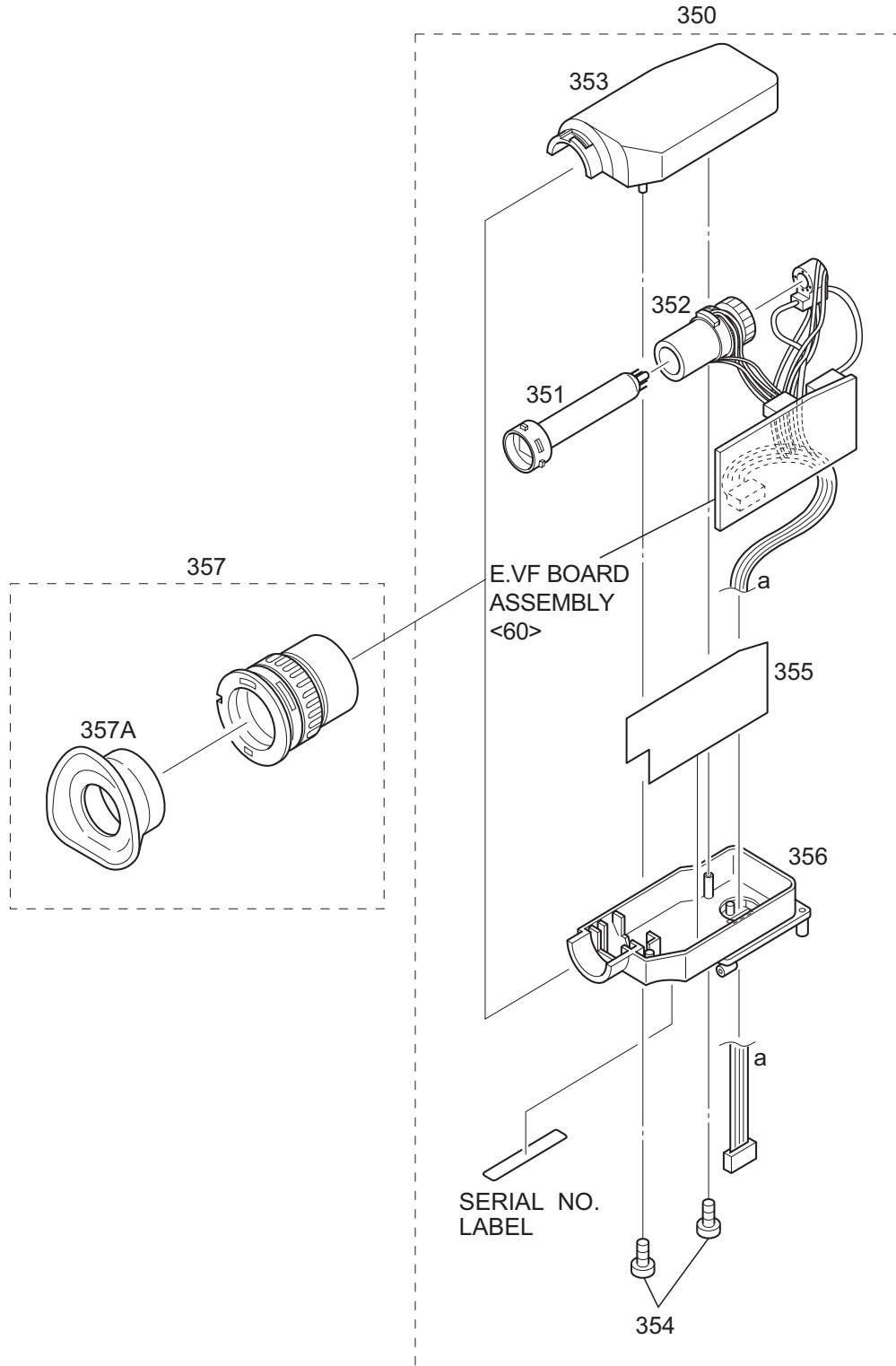


**MECHANISM ASSEMBLY <M3>**

Symbol No.	Part No.	Part Name	Description	Local
400	YMA0040A-E	MECHA(B)ASSY		
401	LY20612-001B	MAIN DECK ASSY		
402	LY31817-001A	CASSETTE GUIDE(LEFT)		
403	LY31815-001A	SW LEVER(LEFT)		
404	LY42581-001A	TORSION SPRING		
405	LY42722-001A	SCREW		
406	YQ44339A-7	CASSETTE GUIDE ASSY(RIGHT)		
406A	YQ32162-1-3	SW.LEVER(RIGHT)		
406B	YQ44340-1-4	TORSION SPRING		
407	LY42819-001A	SCREW		
408	LY31826-001A	MOTOR BRACKET ASSY		
409	LY20951-001A	WORM BRACKET		
410	LY42722-001A	SCREW	(x3)	
411	LY31925-001A	WHEEL GEAR		
412	LY42730-001A	MIDDLE GEAR		
413	LY42521-001A	CANCEL LEVER ASSY		
414	LY42754-003A	SLIT WASHER	(x2)	
415	YQ20827-2-1	CONTROL CAM		
416	PQM30017-25	SLIT WASHER		
417	LY42733-001A	LOADING GEAR(T)ASSY		
418	LY42754-003A	SLIT WASHER		
419	LY42732-001A	LOADING GEAR(S)ASSY		
420	LY42754-003A	SLIT WASHER		
421	LY42403-001A	COVER PLATE		
422	LY42452-001A	LOADING RING ASSY		
423	LY42728-001A	SCREW	(x4)	
424	LY10239-001A	GUIDE RAIL		
425	LY42728-001A	SCREW	(x7)	
426	LY30161-001B	POLE BASE(S)ASSY		
427	LY30162-002A	POLE BASE(T)ASSY		
428	LY42523-001A	DRIVE LEVER ASSY		
429	LY44000-001A	SLANT ARM ASSY		
429A	LY43992-001A	TORSION SPRING(S)		
430	LY42754-003A	SLIT WASHER		
431	LY42739-003A	ROLLER BASE ASSY		
432	LY42722-001A	SCREW		
433	LY42494-001A	LINK ARM ASSY		
434	PQM30017-25	SLIT WASHER		
435	LY40018-002A	PINCH ROLLER ARM ASSY		
436	PQM30017-25	SLIT WASHER		
437	LY42541-001B	TAKE UP GUIDE ARM ASSY		

Symbol No.	Part No.	Part Name	Description	Local
438	LY42754-003A	SLIT WASHER		
439	LY42571-001A	TENSION ARM ASSY		
439A	LY42669-001A	TENSION SPRING		
440	LY42754-003A	SLIT WASHER		
441	YQ20797-1-5	MOTOR BASE		
442	LY42722-001A	SCREW	(x2)	
443	YQ44460	SCREW		
444	QAR0212-002	CAPSTAN MOTOR		
445	YQ44304	TAPPING SCREW	(x3)	
446	LY42731-001A	SLANT POLE BASE ASSY		
447	YQ44304	TAPPING SCREW		
448	YQ43710-2	TIMING BELT		
449	LY42678-003A	CENTER PULLEY UNIT		
450	LY42722-002A	SCREW	(x2)	
451	LY42670-001A	SUPPLY CLUTCH ASSY		
452	LY42754-003A	SLIT WASHER		
453	YQ31861-1-7	REEL DISC		
454	LY42755-001A	WASHER		
455	LY31924-001A	TAKE UP GEAR		
456	LY42738-001A	BRAKE SUB GEAR		
457	LY42754-003A	SLIT WASHER	(x3)	
458	LY42544-002A	A/C HEAD UNIT		
459	SPSN1750Z	SCREW	(x2)	
460	LY42517-001A	EJECT LEVER ASSY		
461	LY42754-003A	SLIT WASHER		
462	YQ31833-1-1	LED GUIDE		
463	LY42722-001A	SCREW		
464	LY42729-001A	DRUM SPACER		
465	LY42722-001A	SCREW	(x2)	
466	QSW0888-002	ROTARY ENCODER		
467	LY42722-002A	SCREW	(x4)	
468	LY31814-001A	LINK LEVER		
469	YDV2099C	DRUM FINAL ASSY		
469A	YDM1003-1-5	CATCHER		
469B	QYSPSPU1735M	SCREW	(x2)	
470	LY42722-001A	SCREW	(x2)	
471	SPSH1740Z	SCREW	(x2)	
472	LY43542-001A	BRUSH		
473	LY42722-003A	SCREW		
481	LY31808-001C	CASSETTE HOUSING FINAL ASSY		
482	LY42722-003A	SCREW	(x4)	
484	LY32326-001A	BRACKET(MECHA)		
485	LY42722-003A	SCREW	(x2)	
487	LY31807-001A	SIDE BRACKET L		
488	LY42722-003A	SCREW		

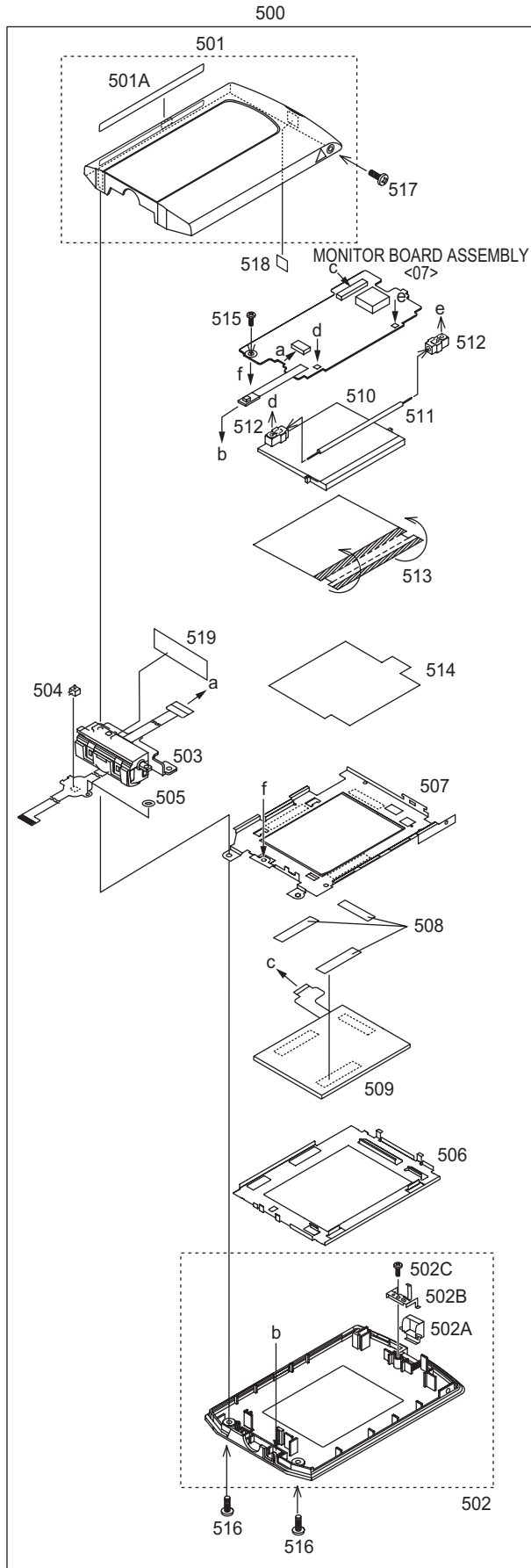
#### 4. ELECTRONIC VIEWFINDER ASSEMBLY <M4>



#### ELECTRONIC VIEWFINDER ASSY<M4>

△ Symbol No.	Part No.	Part Name	Description	Local
△ 350	LY20701-013A	B/W VF ASSY		
△ 351	PEDP0193	CRT		
△ 352	QQD0026-001	DEFLECTION YOKE		
△ 353	LY10165-001B	CASE(L)		
354	QYSPSGU1760M	TAP SCREW	(x2)	
△ 355	LY41280-001A	SHEET(SHIELD)		
△ 356	PTY20701-011	BOTTOM CASE ASSY		
357	PTY20374-201	LENS ASSY		
357A	LY20411-001A	EYE CAP		

## 5. MONITOR ASSEMBLY <M5> [D, E, F]



## MONITOR ASSEMBLY <M5>

Symbol No.	Part No.	Part Name	Description	Local
500	LY20947-001A	MONITOR ASSY		
501	LY33066-001A	M.COVER ASSY		
501A	LY43982-001A	STICKER(B)		
502	LY33077-001B	M.CASE ASSY		
502A	LY32967-001B	KNOB(LOCK)		
502B	LY32988-001A	LOCK SPRING		
502C	QYSLSF2050Z	TAP SCREW	2mm x 5mm	
503	LY33005-001B	MON.HINGE ASSY		
504	NSW0200-001X	LEVER SWITCH		
505	LY44159-001A	WASHER		
506	LY20814-001A	S.CASE(2.5)		
507	LY20798-001B	LCD FRAME(2.5)		
508	LY30029-0R5A	SPACER(A)	(x3)	
509	QLD0248-001	LCD MODULE		
510	LY43938-001A	LIGHT SCREEN		
511	QLL0142-001	LAMP		
512	LY43936-001A	HOLDER(LAMP)	(x2)	
513	LY43396-001A	SHEET(REFLECT)		
514	LY43362-001A	DIFF.SHEET(2.5)		
515	QYSLSP2040D	SCREW	2mm x 4mm	
516	QYSLSF2060D	TAP SCREW	2mm x 6mm(x2)	
517	QYSLSP2040D	SCREW	2mm x 4mm	
518	LY44129-001A	SHEET(M.SENSOR)		
519	LY30030-092A	SPACER(A)		



## 6. ELECTRICAL PARTS LIST

### MAIN BOARD ASSEMBLY <01>

△ Symbol No.	Part No.	Part Name	Description	Local	△ Symbol No.	Part No.	Part Name	Description	Local
PW1	YB10400EB1-02	MAIN BOARD ASSY		A,B,C	Q2401	or RN1104-X	DIGI TRANSISTOR		D,E,F
PW1	YB10400EA1-02	MAIN BOARD ASSY		D,E,F	Q2401	or BCR148T-X	DIGI TRANSISTOR		D,E,F
IC101	UPD703039-050	IC(MICRO C ROM)			Q3501	HN1C01FU/G/-X	PAIR TRANSISTOR		
IC101	or UPD70F3040-050	IC(MICRO C ROM)			Q3502	HN1C01FU/G/-X	PAIR TRANSISTOR		
IC102	CAT25C16SI-X	IC			Q3505	DTC144EE-X	DIGI TRANSISTOR		
IC102	or 25LC160-I/SN-X	IC			Q3505	or UN9213J-X	DIGI TRANSISTOR		
IC102	or M95160-WMN6-X	IC			Q3505	or RN1104-X	DIGI TRANSISTOR		
IC102	or AT25160N-10SC-X	IC			Q3505	or BCR148T-X	DIGI TRANSISTOR		
IC103	RS5C314-X	IC			Q3901	HN1A01FU/G/-X	PAIR TRANSISTOR		
IC104	BD4827FVE-W	IC			Q4001	DTC144EE-X	DIGI TRANSISTOR		
△ IC1601	LB11955WA-MPB	IC			Q4001	or UN9213J-X	DIGI TRANSISTOR		
IC1602	TA75S393F-X	IC			Q4001	or RN1104-X	DIGI TRANSISTOR		
IC2001	MC74AC04DT-X	IC			Q4001	or BCR148T-X	DIGI TRANSISTOR		
IC2001	or TC74AC04FT-X	IC(DIGITAL)			Q4201	2SC4617/QR/-X	TRANSISTOR		
IC2401	NJM2149V-X	IC		D,E,F	Q4201	or 2SC4783/5-6/-X	TRANSISTOR		
IC3501	HA118224F	IC			Q4201	or BC847BT-X	TRANSISTOR		
IC4001	JCY0140-3	IC			Q4202	2SC4617/QR/-X	TRANSISTOR		
IC4002	MSM548331TA	IC(DIGITAL)			Q4202	or 2SC4783/5-6/-X	TRANSISTOR		
IC4003	UPD6467GR-529-X	IC(MICRO C ROM)			Q4251	RPM-22PB	TRANSISTOR		
IC4201	BA10324AF-XE	IC			Q4501	DTC114EE-X	DIGI TRANSISTOR		
IC4201	or LM324AD-X	IC			Q4501	or UN9211J-X	DIGI TRANSISTOR		
IC4202	BA10324AF-XE	IC			Q4501	or RN1102-X	DIGI TRANSISTOR		
IC4202	or LM324AD-X	IC			Q4501	or BCR133T-X	DIGI TRANSISTOR		
IC4501	UPD16835AGS-X	IC			Q4701	2SA1774/QR/-X	TRANSISTOR		
IC4702	BA7665FS-X	IC			Q4701	or 2SA1836/5-6/-X	TRANSISTOR		
IC5201	HD49335F	IC			Q4701	or BC857BT-X	TRANSISTOR		
IC5202	MN31121SA-X	IC			Q4702	2SA1774/QR/-X	TRANSISTOR		
IC6001	FA7706F	IC			Q4702	or 2SA1836/5-6/-X	TRANSISTOR		
IC6002	XC6202P33P-X	IC			Q4702	or BC857BT-X	TRANSISTOR		
Q101	2SA1774/RS/-X	TRANSISTOR			Q6101	QS6U24-W	MOS FET		
Q101	or 2SA1836/6-7/-X	TRANSISTOR			Q6201	SSM5G01TU-X	MOS FET		
Q101	or BC857BT-X	TRANSISTOR			Q6301	FDC6506P-X	MOS FET		
Q102	DTC144EE-X	DIGI TRANSISTOR			Q6306	2SK3577-X	MOS FET		
Q102	or UN9213J-X	DIGI TRANSISTOR			Q6401	SSM5G01TU-X	MOS FET		
Q102	or RN1104-X	DIGI TRANSISTOR			Q6501	SSM5G01TU-X	MOS FET		
Q102	or BCR148T-X	DIGI TRANSISTOR			Q6608	DTC144EE-X	DIGI TRANSISTOR		
Q103	2SC4617/QR/-X	TRANSISTOR			Q6608	or UN9213J-X	DIGI TRANSISTOR		
Q103	or 2SC4783/5-6/-X	TRANSISTOR			Q6608	or RN1104-X	DIGI TRANSISTOR		
Q105	2SC4617/RS/-X	TRANSISTOR			Q6608	or BCR148T-X	DIGI TRANSISTOR		
Q105	or BC847BT-X	TRANSISTOR			Q6701	RSQ035P03-W	MOS FET		
Q108	DTC114EE-X	DIGI TRANSISTOR			Q6702	2SC4097/QR/-X	TRANSISTOR		
Q108	or UN9211J-X	DIGI TRANSISTOR			Q6702	or 2SC4173/3-4/-X	TRANSISTOR		
Q108	or RN1102-X	DIGI TRANSISTOR			Q6702	or BC817-25W-X	TRANSISTOR		
Q108	or BCR133T-X	DIGI TRANSISTOR			Q6802	DTA144EUA-X	DIGI TRANSISTOR		
Q109	DTC114EE-X	DIGI TRANSISTOR			Q6811	2SA1577/QR/-X	TRANSISTOR		
Q109	or UN9211J-X	DIGI TRANSISTOR			Q6811	or 2SA1608/3-4/-X	TRANSISTOR		
Q109	or RN1102-X	DIGI TRANSISTOR			Q6811	or BC807-25W-X	TRANSISTOR		
Q109	or BCR133T-X	DIGI TRANSISTOR			Q7001	PUMX1-W	PAIR TRANSISTOR		D,E,F
Q1601	2SD1664/QR/-W	TRANSISTOR			Q7001	or UMX1N-W	PAIR TRANSISTOR		D,E,F
Q2001	DTA114TE-X	DIGI TRANSISTOR			Q7001	or HN1C01FU/G/-X	PAIR TRANSISTOR		D,E,F
Q2001	or BCR129T-X	DIGI TRANSISTOR			Q7002	PUMX1-W	PAIR TRANSISTOR		D,E,F
Q2007	PUMX1-W	PAIR TRANSISTOR			Q7002	or UMX1N-W	PAIR TRANSISTOR		D,E,F
Q2007	or UMX1N-W	PAIR TRANSISTOR			Q7002	or HN1C01FU/G/-X	PAIR TRANSISTOR		D,E,F
Q2007	or HN1C01FU/G/-X	PAIR TRANSISTOR			Q7003	PUMX1-W	PAIR TRANSISTOR		D,E,F
Q2007	or BC847S-X	PAIR TRANSISTOR			Q7003	or UMX1N-W	PAIR TRANSISTOR		D,E,F
Q2008	PUMT1-W	PAIR TRANSISTOR			Q7003	or HN1C01FU/G/-X	PAIR TRANSISTOR		D,E,F
Q2008	or HN1A01FU/G/-X	PAIR TRANSISTOR			Q7301	2SA1774/QR/-X	TRANSISTOR		
Q2021	DTC144EE-X	DIGI TRANSISTOR			Q7301	or 2SA1836/5-6/-X	TRANSISTOR		
Q2021	or UN9213J-X	DIGI TRANSISTOR			Q7301	or BC857BT-X	TRANSISTOR		
Q2021	or RN1104-X	DIGI TRANSISTOR			Q7302	CPH3101-X	TRANSISTOR		D,E,F
Q2021	or BCR148T-X	DIGI TRANSISTOR			Q7303	2SC4617/QR/-X	TRANSISTOR		D,E,F
Q2022	DTC144EE-X	DIGI TRANSISTOR			Q7303	or 2SC4783/5-6/-X	TRANSISTOR		D,E,F
Q2022	or UN9213J-X	DIGI TRANSISTOR			Q7303	or BC847BT-X	TRANSISTOR		D,E,F
Q2022	or RN1104-X	DIGI TRANSISTOR			△ D101	SB007W03Q-X	SB DIODE		
Q2022	or BCR148T-X	DIGI TRANSISTOR			△ D101	or RB715F-X	SB DIODE		
Q2023	2SC4617/QR/-X	TRANSISTOR			D102	UDZS7.5B-X	Z DIODE		
Q2023	or 2SC4783/5-6/-X	TRANSISTOR			D103	1SS355-X	SI DIODE		
Q2023	or BC847BT-X	TRANSISTOR			D104	1SS355-X	SI DIODE		
Q2071	2SC4617/QR/-X	TRANSISTOR			D4001	DAN222-X	SI DIODE		
Q2071	or 2SC4783/5-6/-X	TRANSISTOR			D5201	1SS355-X	SI DIODE		
Q2071	or BC847BT-X	TRANSISTOR			D6301	RB160M-30-X	SB DIODE		
Q2401	DTC144EE-X	DIGI TRANSISTOR		D,E,F	D6601	RB480Y-W	SB DIODE		
Q2401	or UN9213J-X	DIGI TRANSISTOR		D,E,F	D6602	RB480Y-W	SB DIODE		
					D6616	UDZS7.5B-X	Z DIODE		

△ Symbol No.	Part No.	Part Name	Description	Local	△ Symbol No.	Part No.	Part Name	Description	Local
D6701	CRS09-X	SB DIODE			C2033	NBE20JM-475X	TA E CAPACITOR	4.7uF 6.3V M	
D6702	CRS09-X	SB DIODE			C2034	NCB31CK-104X	C CAPACITOR	0.1uF 16V K	
C103	NBE20JM-106X	TA E CAPACITOR	10uF 6.3V M		C2035	NBE20JM-226X	TA E CAPACITOR	22uF 6.3V M	
C104	NCB31EK-103X	C CAPACITOR	0.01uF 25V K		C2036	NBE20JM-106X	TA E CAPACITOR	10uF 6.3V M	
C105	NCB21CK-224X	C CAPACITOR	0.22uF 16V K		C2038	NCB21CK-474X	C CAPACITOR	0.47uF 16V K	
C107	NCB31EK-103X	C CAPACITOR	0.01uF 25V K		C2040	NDC31HJ-680X	C CAPACITOR	68pF 50V J	
C108	NBE21AM-225X	TA E CAPACITOR	2.2uF 10V M		C2051	NCB31EK-103X	C CAPACITOR	0.01uF 25V K	
C109	NBE20JM-106X	TA E CAPACITOR	10uF 6.3V M		C2071	NBE20JM-106X	TA E CAPACITOR	10uF 6.3V M	
C110	NDC31HJ-101X	C CAPACITOR	100pF 50V J		C2072	NCB31HK-222X	C CAPACITOR	2200pF 50V K	
C112	NEA70JM-226X	E CAPACITOR	22uF 6.3V M		C2401	NEA70GM-476X	E CAPACITOR	47uF 4V M	D,E,F
C113	NCB31EK-103X	C CAPACITOR	0.01uF 25V K		C2402	NCB21CK-105X	C CAPACITOR	1uF 16V K	D,E,F
C114	NCB31EK-103X	C CAPACITOR	0.01uF 25V K		C2403	NBE20JM-475X	TA E CAPACITOR	4.7uF 6.3V M	D,E,F
C115	NCF31EZ-104X	C CAPACITOR	0.1uF 25V Z		C2404	NCF31EZ-104X	C CAPACITOR	0.1uF 25V Z	D,E,F
C116	NCB31EK-103X	C CAPACITOR	0.01uF 25V K		C3506	NCB31EK-103X	C CAPACITOR	0.01uF 25V K	
C118	NCF31EZ-104X	C CAPACITOR	0.1uF 25V Z		C3507	NCB31EK-103X	C CAPACITOR	0.01uF 25V K	
C119	NCB31EK-103X	C CAPACITOR	0.01uF 25V K		C3508	NCB31EK-103X	C CAPACITOR	0.01uF 25V K	
C120	NCB31EK-103X	C CAPACITOR	0.01uF 25V K		C3509	NDC31HJ-221X	C CAPACITOR	220pF 50V J	
C121	NCF31EZ-104X	C CAPACITOR	0.1uF 25V Z		C3510	NCB31CK-104X	C CAPACITOR	0.1uF 16V K	
C122	NCF31EZ-104X	C CAPACITOR	0.1uF 25V Z		C3512	NCB10JK-106X	C CAPACITOR	10uF 6.3V K	
C123	NDC31HJ-100X	C CAPACITOR	10pF 50V J		C3513	NCB31CK-223X	C CAPACITOR	0.022uF 16V K	
C124	NDC31HJ-120X	C CAPACITOR	12pF 50V J		C3514	NCB30JK-105X	C CAPACITOR	1uF 6.3V K	
C125	NCB31EK-103X	C CAPACITOR	0.01uF 25V K		C3515	NCB31EK-103X	C CAPACITOR	0.01uF 25V K	
C126	NDC31HJ-100X	C CAPACITOR	10pF 50V J		C3516	NDC31HJ-100X	C CAPACITOR	10pF 50V J	
C127	NCB31CK-333X	C CAPACITOR	0.033uF 16V K		C3902	NCB31EK-103X	C CAPACITOR	0.01uF 25V K	
C128	NCB21CK-474X	C CAPACITOR	0.47uF 16V K		C3903	NDC31HJ-3R0X	C CAPACITOR	3pF 50V J	
C129	NCB31CK-333X	C CAPACITOR	0.033uF 16V K		C4002	NCF31EZ-104X	C CAPACITOR	0.1uF 25V Z	
C131	NCF31EZ-104X	C CAPACITOR	0.1uF 25V Z		C4003	NCF31EZ-104X	C CAPACITOR	0.1uF 25V Z	
C132	NCF31EZ-104X	C CAPACITOR	0.1uF 25V Z		C4004	NCF31EZ-104X	C CAPACITOR	0.1uF 25V Z	
C133	NCF31EZ-104X	C CAPACITOR	0.1uF 25V Z		C4005	NCF31EZ-104X	C CAPACITOR	0.1uF 25V Z	
C134	NCF31EZ-104X	C CAPACITOR	0.1uF 25V Z		C4007	NCF31EZ-104X	C CAPACITOR	0.1uF 25V Z	
C138	NCB31EK-103X	C CAPACITOR	0.01uF 25V K		C4008	NCF31EZ-104X	C CAPACITOR	0.1uF 25V Z	
C140	NCB31EK-103X	C CAPACITOR	0.01uF 25V K		C4009	NDC31HG-100X	C CAPACITOR	10pF 50V G	
C142	NDC31HJ-3R0X	C CAPACITOR	3pF 50V J		C4010	NDC31HG-100X	C CAPACITOR	10pF 50V G	
C1201	NCB31HK-102X	C CAPACITOR	1000pF 50V K		C4012	NCF31EZ-104X	C CAPACITOR	0.1uF 25V Z	
C1202	NBE20JM-106X	TA E CAPACITOR	10uF 6.3V M		C4013	NCF31EZ-104X	C CAPACITOR	0.1uF 25V Z	
C1205	NCB31EK-153X	C CAPACITOR	0.015uF 25V K		C4014	NCB31CK-104X	C CAPACITOR	0.1uF 16V K	
C1206	NBE20JM-106X	TA E CAPACITOR	10uF 6.3V M		C4015	NCF31EZ-104X	C CAPACITOR	0.1uF 25V Z	
C1601	NCB21EK-104X	C CAPACITOR	0.1uF 25V K		C4016	NCB31CK-104X	C CAPACITOR	0.1uF 16V K	
C1602	NCB30JK-105X	C CAPACITOR	1uF 6.3V K		C4017	NCF31EZ-104X	C CAPACITOR	0.1uF 25V Z	
C1603	NCB31EK-103X	C CAPACITOR	0.01uF 25V K		C4018	NCF31EZ-104X	C CAPACITOR	0.1uF 25V Z	
C1604	NCB31EK-103X	C CAPACITOR	0.01uF 25V K		C4019	NCF31EZ-104X	C CAPACITOR	0.1uF 25V Z	D,E,F
C1605	NCB31EK-103X	C CAPACITOR	0.01uF 25V K		C4020	NCB31CK-104X	C CAPACITOR	0.1uF 16V K	D,E,F
C1606	NCB21EK-104X	C CAPACITOR	0.1uF 25V K		C4021	NCF31EZ-104X	C CAPACITOR	0.1uF 25V Z	
C1607	NCB21CK-474X	C CAPACITOR	0.47uF 16V K		C4023	NCF31EZ-104X	C CAPACITOR	0.1uF 25V Z	
C1608	NCB31HK-332X	C CAPACITOR	3300pF 50V K		C4024	NCF31EZ-104X	C CAPACITOR	0.1uF 25V Z	
C1609	NBE20JM-106X	TA E CAPACITOR	10uF 6.3V M		C4025	NCB31CK-104X	C CAPACITOR	0.1uF 16V K	
C1610	NCB31HK-681X	C CAPACITOR	680pF 50V K		C4026	NCB10JK-106X	C CAPACITOR	10uF 6.3V K	
C1611	NCB31CK-104X	C CAPACITOR	0.1uF 16V K		C4027	NCF31EZ-104X	C CAPACITOR	0.1uF 25V Z	
C1612	NCB21CK-105X	C CAPACITOR	1uF 16V K		C4028	NCF31EZ-104X	C CAPACITOR	0.1uF 25V Z	
C1613	NCB31CK-333X	C CAPACITOR	0.033uF 16V K		C4029	NCB31CK-104X	C CAPACITOR	0.1uF 16V K	
C1614	NCB31CK-104X	C CAPACITOR	0.1uF 16V K		C4030	NCF31EZ-104X	C CAPACITOR	0.1uF 25V Z	
C1615	NCB31CK-104X	C CAPACITOR	0.1uF 16V K		C4031	NCB30JK-105X	C CAPACITOR	1uF 6.3V K	
C1616	NCB31CK-104X	C CAPACITOR	0.1uF 16V K		C4032	NCF31EZ-104X	C CAPACITOR	0.1uF 25V Z	
C1617	NCB31CK-104X	C CAPACITOR	0.1uF 16V K		C4033	NCF31EZ-104X	C CAPACITOR	0.1uF 25V Z	
C1618	NCB31CK-104X	C CAPACITOR	0.1uF 16V K		C4034	NCF31EZ-104X	C CAPACITOR	0.1uF 25V Z	
C1619	NCB31CK-104X	C CAPACITOR	0.1uF 16V K		C4035	NCF31EZ-104X	C CAPACITOR	0.1uF 25V Z	
C1620	NBE21AM-106X	TA E CAPACITOR	10uF 10V M		C4036	NCF31EZ-104X	C CAPACITOR	0.1uF 25V Z	
C1621	NBP51EM-106X	TA E CAPACITOR	10uF 25V M		C4037	NCF31EZ-104X	C CAPACITOR	0.1uF 25V Z	
C1622	NDC31HJ-101X	C CAPACITOR	100pF 50V J		C4038	NCF31EZ-104X	C CAPACITOR	0.1uF 25V Z	
C1623	NCB31CK-104X	C CAPACITOR	0.1uF 16V K		C4039	NCF31EZ-104X	C CAPACITOR	0.1uF 25V Z	
C1624	NBE20JM-106X	TA E CAPACITOR	10uF 6.3V M		C4040	NCF31EZ-104X	C CAPACITOR	0.1uF 25V Z	
C2001	NBE20JM-106X	TA E CAPACITOR	10uF 6.3V M		C4044	NCB30JK-105X	C CAPACITOR	1uF 6.3V K	
C2002	NFV91HJ-183X	MPPS CAPACITOR	0.018uF 50V J		C4045	NCB30JK-105X	C CAPACITOR	1uF 6.3V K	
C2003	NDC31HJ-331X	C CAPACITOR	330pF 50V J		C4046	NDC31HJ-221X	C CAPACITOR	220pF 50V J	
C2004	NBE20JM-226X	TA E CAPACITOR	22uF 6.3V M		C4047	NCF31EZ-104X	C CAPACITOR	0.1uF 25V Z	
C2005	NCB21CK-105X	C CAPACITOR	1uF 16V K		C4048	NCF31EZ-104X	C CAPACITOR	0.1uF 25V Z	
C2021	NCB31EK-103X	C CAPACITOR	0.01uF 25V K		C4049	NCB10JK-106X	C CAPACITOR	10uF 6.3V K	
C2022	NBE20JM-156X	TA E CAPACITOR	15uF 6.3V M		C4201	NEA71HM-225X	E CAPACITOR	2.2uF 50V M	
C2023	NBP21CM-105X	TA E CAPACITOR	1uF 16V M		C4202	NCF31EZ-104X	C CAPACITOR	0.1uF 25V Z	
C2024	NCB31HK-102X	C CAPACITOR	1000pF 50V K		C4203	NCB31CK-104X	C CAPACITOR	0.1uF 16V K	
C2025	NCB21CK-105X	C CAPACITOR	1uF 16V K		C4205	NCB31EK-103X	C CAPACITOR	0.01uF 25V K	
C2026	NCB31HK-222X	C CAPACITOR	2200pF 50V K		C4206	NCB31CK-104X	C CAPACITOR	0.1uF 16V K	
C2027	NCB21CK-474X	C CAPACITOR	0.47uF 16V K		C4207	NCB31EK-103X	C CAPACITOR	0.01uF 25V K	
C2028	NCB21CK-105X	C CAPACITOR	1uF 16V K		C4208	NCB31CK-104X	C CAPACITOR	0.1uF 16V K	
C2029	NCB21CK-105X	C CAPACITOR	1uF 16V K		C4209	NCB31CK-104X	C CAPACITOR	0.1uF 16V K	
C2031	NCB31CK-104X	C CAPACITOR	0.1uF 16V K		C4210	NCF21CZ-105X	C CAPACITOR	1uF 16V Z	
C2032	NCB31HK-472X	C CAPACITOR	4700pF 50V K		C4211	NCB31CK-104X	C CAPACITOR	0.1uF 16V K	
					C4251	NEA71HM-335X	E CAPACITOR	3.3uF 50V M	

△ Symbol No.	Part No.	Part Name	Description	Local	△ Symbol No.	Part No.	Part Name	Description	Local
C4252	NCB31CK-104X	C CAPACITOR	0.1uF 16V K		C6302	NCB10JK-106X	C CAPACITOR	10uF 6.3V K	
C4253	NCB31EK-153X	C CAPACITOR	0.015uF 25V K		C6303	NBE40JM-476X	TA E CAPACITOR	47uF 6.3V M	
C4254	NCB31EK-153X	C CAPACITOR	0.015uF 25V K		C6305	NCB31HK-561X	C CAPACITOR	560pF 50V K	
C4256	NEA71CM-106X	E CAPACITOR	10uF 16V M		C6307	NEA71CM-106X	E CAPACITOR	10uF 16V M	
C4502	NDC31HJ-330X	C CAPACITOR	33pF 50V J		C6310	NCB31HK-102X	C CAPACITOR	1000pF 50V K	
C4503	NCB31CK-333X	C CAPACITOR	0.033uF 16V K		C6401	NCB21CK-105X	C CAPACITOR	1uF 16V K	
C4504	NCB31CK-333X	C CAPACITOR	0.033uF 16V K		C6402	NCF21CZ-105X	C CAPACITOR	1uF 16V Z	
C4505	NCB31EK-103X	C CAPACITOR	0.01uF 25V K		C6501	NCB21CK-105X	C CAPACITOR	1uF 16V K	
C4506	NCB31EK-103X	C CAPACITOR	0.01uF 25V K		C6502	NCF21CZ-105X	C CAPACITOR	1uF 16V Z	
C4507	NCB31CK-104X	C CAPACITOR	0.1uF 16V K		C6602	NCF21CZ-105X	C CAPACITOR	1uF 16V Z	
C4508	NCF31EZ-104X	C CAPACITOR	0.1uF 25V Z		C6603	NCB11EK-105X	C CAPACITOR	1uF 25V K	
C4509	NBE21AM-106X	TA E CAPACITOR	10uF 10V M		C6606	NCB11EK-105X	C CAPACITOR	1uF 25V K	
C4510	NCF31EZ-104X	C CAPACITOR	0.1uF 25V Z		C6607	NCF21CZ-105X	C CAPACITOR	1uF 16V Z	
C4702	NDC31HJ-270X	C CAPACITOR	27pF 50V J		C6610	NCB31EK-103X	C CAPACITOR	0.01uF 25V K	
C4703	NDC31HJ-5R0X	C CAPACITOR	5pF 50V J		C6616	NCB21CK-105X	C CAPACITOR	1uF 16V K	
C4704	NCB30JK-105X	C CAPACITOR	1uF 6.3V K		C6701	NCB21CK-105X	C CAPACITOR	1uF 16V K	
C4705	NCB31EK-103X	C CAPACITOR	0.01uF 25V K		C6702	NCB41CK-106X	C CAPACITOR	10uF 16V K	
C4706	NEA70GM-107X	E CAPACITOR	100uF 4V M		C6711	NCB31HK-472X	C CAPACITOR	4700pF 50V K	
C4707	NEA70JM-226X	E CAPACITOR	22uF 6.3V M		C6802	NCF21CZ-105X	C CAPACITOR	1uF 16V Z	
C4708	NCF31EZ-104X	C CAPACITOR	0.1uF 25V Z		C6803	NCB31CK-104X	C CAPACITOR	0.1uF 16V K	
C4709	NBE20JM-106X	TA E CAPACITOR	10uF 6.3V M		C6811	NCB21CK-105X	C CAPACITOR	1uF 16V K	
C4713	NEA70JM-226X	E CAPACITOR	22uF 6.3V M		C7001	NBP41EM-475X	TA E CAPACITOR	4.7uF 25V M	D,E,F
C4714	NEA70GM-107X	E CAPACITOR	100uF 4V M		C7002	NCB31EK-103X	C CAPACITOR	0.01uF 25V K	D,E,F
C4715	NCB31EK-103X	C CAPACITOR	0.01uF 25V K		C7003	NBE20JM-106X	TA E CAPACITOR	10uF 6.3V M	D,E,F
C4716	NDC31HJ-270X	C CAPACITOR	27pF 50V J		C7004	NCB31EK-103X	C CAPACITOR	0.01uF 25V K	D,E,F
C4717	NDC31HJ-5R0X	C CAPACITOR	5pF 50V J		C7005	NCB31EK-103X	C CAPACITOR	0.01uF 25V K	D,E,F
C5201	NCB10JK-106X	C CAPACITOR	10uF 6.3V K		C7006	NCB11EK-105X	C CAPACITOR	1uF 25V K	D,E,F
C5202	NCB10JK-106X	C CAPACITOR	10uF 6.3V K		C7007	NCB11EK-105X	C CAPACITOR	1uF 25V K	D,E,F
C5203	NBP21CM-685X	TA E CAPACITOR	6.8uF 16V M		C7008	NCB11EK-105X	C CAPACITOR	1uF 25V K	D,E,F
C5204	NCB11EK-105X	C CAPACITOR	1uF 25V K		C7302	NBE20JM-106X	TA E CAPACITOR	10uF 6.3V M	D,E,F
C5205	NCF31EZ-104X	C CAPACITOR	0.1uF 25V Z		C7303	NBE20JM-106X	TA E CAPACITOR	10uF 6.3V M	
C5207	NCF31EZ-104X	C CAPACITOR	0.1uF 25V Z		C7304	NDC31HJ-100X	C CAPACITOR	10pF 50V J	
C5209	NCF31EZ-104X	C CAPACITOR	0.1uF 25V Z						
C5211	NCF31EZ-104X	C CAPACITOR	0.1uF 25V Z		R101	NRSA63J-104X	MG RESISTOR	100kΩ 1/16W J	
C5212	NCF31EZ-104X	C CAPACITOR	0.1uF 25V Z		R102	NRSA63J-331X	MG RESISTOR	330Ω 1/16W J	
C5213	NCF31EZ-104X	C CAPACITOR	0.1uF 25V Z		R103	NRSA63J-331X	MG RESISTOR	330Ω 1/16W J	
C5214	NCF31EZ-104X	C CAPACITOR	0.1uF 25V Z		R105	NRSA63J-103X	MG RESISTOR	10kΩ 1/16W J	
C5215	NDC31HJ-102X	C CAPACITOR	1000pF 50V J		R106	NRSA63J-222X	MG RESISTOR	2.2kΩ 1/16W J	
C5216	NCB21CK-105X	C CAPACITOR	1uF 16V K		R107	NRVA63D-153X	CMF RESISTOR	15kΩ 1/16W D	
C5218	NCB30JK-105X	C CAPACITOR	1uF 6.3V K		R108	NRVA63D-243X	CMF RESISTOR	24kΩ 1/16W D	
C5219	NDC31HJ-101X	C CAPACITOR	100pF 50V J		R109	NRVA63D-183X	CMF RESISTOR	18kΩ 1/16W D	
C5220	NCF31EZ-104X	C CAPACITOR	0.1uF 25V Z		R110	NRSA63J-103X	MG RESISTOR	10kΩ 1/16W J	
C5221	NCB31EK-103X	C CAPACITOR	0.01uF 25V K		R111	NRSA63J-273X	MG RESISTOR	27kΩ 1/16W J	
C5222	NCF31EZ-104X	C CAPACITOR	0.1uF 25V Z		R112	NRSA63J-331X	MG RESISTOR	330Ω 1/16W J	
C5223	NCF31EZ-104X	C CAPACITOR	0.1uF 25V Z		R113	NRSA63J-103X	MG RESISTOR	10kΩ 1/16W J	
C5224	NCB11EK-105X	C CAPACITOR	1uF 25V K		R114	NRSA63J-332X	MG RESISTOR	3.3kΩ 1/16W J	
C5225	NCF31EZ-104X	C CAPACITOR	0.1uF 25V Z		R115	NRSA63J-101X	MG RESISTOR	100Ω 1/16W J	
C5226	NCF31EZ-104X	C CAPACITOR	0.1uF 25V Z		R117	NRSA63J-102X	MG RESISTOR	1kΩ 1/16W J	
C5231	NCB31CK-104X	C CAPACITOR	0.1uF 16V K		R118	NRSA63J-103X	MG RESISTOR	10kΩ 1/16W J	
C6002	NEA71EM-106X	E CAPACITOR	10uF 25V M		R119	NRSA63J-103X	MG RESISTOR	10kΩ 1/16W J	
C6004	NCF21CZ-105X	C CAPACITOR	1uF 16V Z		R120	NRSA63J-273X	MG RESISTOR	27kΩ 1/16W J	
C6005	NCB21CK-105X	C CAPACITOR	1uF 16V K		R121	NRSA63J-273X	MG RESISTOR	27kΩ 1/16W J	
C6006	NCB31EK-103X	C CAPACITOR	0.01uF 25V K		R122	NRSA63J-393X	MG RESISTOR	39kΩ 1/16W J	
C6007	NCB21CK-105X	C CAPACITOR	1uF 16V K		R123	NRSA63J-474X	MG RESISTOR	470kΩ 1/16W J	
C6008	NCB21CK-105X	C CAPACITOR	1uF 16V K		R124	NRSA63J-222X	MG RESISTOR	2.2kΩ 1/16W J	
C6009	NDC31HJ-101X	C CAPACITOR	100pF 50V J		R125	NRSA63J-273X	MG RESISTOR	27kΩ 1/16W J	
C6010	NCB21CK-224X	C CAPACITOR	0.22uF 16V K		R126	NRSA63J-153X	MG RESISTOR	15kΩ 1/16W J	
C6011	NCB31EK-103X	C CAPACITOR	0.01uF 25V K		R127	NRSA63J-221X	MG RESISTOR	220Ω 1/16W J	
C6012	NCB21CK-224X	C CAPACITOR	0.22uF 16V K		R128	NRSA63J-102X	MG RESISTOR	1kΩ 1/16W J	
C6013	NCB21CK-154X	C CAPACITOR	0.15uF 16V K		R129	NRSA63J-102X	MG RESISTOR	1kΩ 1/16W J	
C6014	NCB31CK-104X	C CAPACITOR	0.1uF 16V K		R130	NRSA63J-105X	MG RESISTOR	1MΩ 1/16W J	
C6015	NCB31CK-104X	C CAPACITOR	0.1uF 16V K		R131	NRSA63J-473X	MG RESISTOR	47kΩ 1/16W J	
C6016	NCB31EK-473X	C CAPACITOR	0.047uF 25V K		R132	NRSA63J-222X	MG RESISTOR	2.2kΩ 1/16W J	
C6017	NCF21CZ-105X	C CAPACITOR	1uF 16V Z		R133	NRSA63J-222X	MG RESISTOR	2.2kΩ 1/16W J	
C6018	NCB21CK-224X	C CAPACITOR	0.22uF 16V K		R134	NRSA63J-331X	MG RESISTOR	330Ω 1/16W J	
C6019	NCB11EK-105X	C CAPACITOR	1uF 25V K		R135	NRSA63J-333X	MG RESISTOR	33kΩ 1/16W J	
C6020	NCB21CK-224X	C CAPACITOR	0.22uF 16V K		R136	NRSA63J-474X	MG RESISTOR	470kΩ 1/16W J	
C6021	NCB31EK-103X	C CAPACITOR	0.01uF 25V K		R137	NRSA63J-474X	MG RESISTOR	470kΩ 1/16W J	
C6101	NCB21CK-105X	C CAPACITOR	1uF 16V K		R138	NRSA63J-333X	MG RESISTOR	33kΩ 1/16W J	
C6102	NCB10JK-106X	C CAPACITOR	10uF 6.3V K		R139	NRSA63J-104X	MG RESISTOR	100kΩ 1/16W J	
C6105	NCB31HK-681X	C CAPACITOR	680pF 50V K		R140	NRSA63J-753X	MG RESISTOR	75kΩ 1/16W J	
C6110	NCB31HK-152X	C CAPACITOR	1500pF 50V K		R141	NRSA63J-334X	MG RESISTOR	330kΩ 1/16W J	
C6201	NCB21CK-105X	C CAPACITOR	1uF 16V K		R142	NRSA63J-103X	MG RESISTOR	10kΩ 1/16W J	
C6202	NCB10JK-106X	C CAPACITOR	10uF 6.3V K		R143	NRSA63J-105X	MG RESISTOR	1MΩ 1/16W J	
C6203	NBE40JM-476X	TA E CAPACITOR	47uF 6.3V M		R144	NRSA63J-221X	MG RESISTOR	220Ω 1/16W J	
C6205	NCB31HK-472X	C CAPACITOR	4700pF 50V K		R145	NRSA63J-222X	MG RESISTOR	2.2kΩ 1/16W J	
C6210	NCB31HK-472X	C CAPACITOR	4700pF 50V K		R146	NRSA63J-222X	MG RESISTOR	2.2kΩ 1/16W J	
C6301	NCB11CK-225X	C CAPACITOR	2.2uF 16V K		R147	NRSA63J-472X	MG RESISTOR	4.7kΩ 1/16W J	

△ Symbol No.	Part No.	Part Name	Description	Local	△ Symbol No.	Part No.	Part Name	Description	Local
R148	NRSA63J-222X	MG RESISTOR	2.2kΩ 1/16W J		R2072	NRSA63J-103X	MG RESISTOR	10kΩ 1/16W J	
R149	NRSA63J-222X	MG RESISTOR	2.2kΩ 1/16W J		R2401	NRSA63J-392X	MG RESISTOR	3.9kΩ 1/16W J	D,E,F
R150	NRSA63J-222X	MG RESISTOR	2.2kΩ 1/16W J		R2402	NRSA63J-332X	MG RESISTOR	3.3kΩ 1/16W J	D,E,F
R151	NRSA63J-222X	MG RESISTOR	2.2kΩ 1/16W J		R2403	NRSA63J-103X	MG RESISTOR	10kΩ 1/16W J	D,E,F
R152	NRSA63J-474X	MG RESISTOR	470kΩ 1/16W J		R3501	NRSA63J-221X	MG RESISTOR	220Ω 1/16W J	
R153	NRSA63J-474X	MG RESISTOR	470kΩ 1/16W J		R3502	NRSA63J-102X	MG RESISTOR	1kΩ 1/16W J	
R154	NRSA63J-222X	MG RESISTOR	2.2kΩ 1/16W J		R3506	NRSA63J-102X	MG RESISTOR	1kΩ 1/16W J	
R155	NRSA63J-104X	MG RESISTOR	100kΩ 1/16W J		R3507	NRSA63J-101X	MG RESISTOR	100Ω 1/16W J	
△ R156	NRSA63J-102X	MG RESISTOR	1kΩ 1/16W J		R3508	NRSA63J-153X	MG RESISTOR	15kΩ 1/16W J	
R157	NRSA63J-0R0X	MG RESISTOR	0Ω 1/16W J		R3901	NRSA63J-100X	MG RESISTOR	10Ω 1/16W J	
R158	NRSA63J-474X	MG RESISTOR	470kΩ 1/16W J		R3902	NRSA63J-101X	MG RESISTOR	100Ω 1/16W J	
R159	NRSA63J-474X	MG RESISTOR	470kΩ 1/16W J		R3903	NRSA63J-182X	MG RESISTOR	1.8kΩ 1/16W J	
R161	NRSA63J-0R0X	MG RESISTOR	0Ω 1/16W J		R4001	NRSA63J-102X	MG RESISTOR	1kΩ 1/16W J	
R162	NRSA63J-0R0X	MG RESISTOR	0Ω 1/16W J		R4002	NRSA63J-105X	MG RESISTOR	1MΩ 1/16W J	
R163	NRSA63J-103X	MG RESISTOR	10kΩ 1/16W J		R4003	NRSA63J-563X	MG RESISTOR	56kΩ 1/16W J	
R164	NRSA63J-221X	MG RESISTOR	220Ω 1/16W J		R4004	NRSA63D-153X	MG RESISTOR	15kΩ 1/16W D	
R165	NRSA63J-151X	MG RESISTOR	150Ω 1/16W J		R4009	NRSA63D-103X	MG RESISTOR	10kΩ 1/16W D	
R166	NRSA63J-105X	MG RESISTOR	1MΩ 1/16W J		R4010	NRSA63D-153X	MG RESISTOR	15kΩ 1/16W D	D,E,F
R167	NRSA63J-183X	MG RESISTOR	18kΩ 1/16W J		R4013	NRSA63J-102X	MG RESISTOR	1kΩ 1/16W J	
R168	NRSA63J-562X	MG RESISTOR	5.6kΩ 1/16W J		R4014	NRSA63J-103X	MG RESISTOR	10kΩ 1/16W J	
R169	NRSA63J-103X	MG RESISTOR	10kΩ 1/16W J		R4015	NRSA63J-0R0X	MG RESISTOR	0Ω 1/16W J	
R170	NRSA63J-103X	MG RESISTOR	10kΩ 1/16W J		R4019	NRSA63D-822X	MG RESISTOR	8.2kΩ 1/16W D	
R171	NRSA63J-105X	MG RESISTOR	1MΩ 1/16W J		R4020	NRSA63D-471X	MG RESISTOR	470Ω 1/16W D	
R172	NRSA63J-0R0X	MG RESISTOR	0Ω 1/16W J		R4021	NRSA63D-181X	MG RESISTOR	180Ω 1/16W D	
R173	NRSA63J-105X	MG RESISTOR	1MΩ 1/16W J		R4022	NRSA63D-182X	MG RESISTOR	1.8kΩ 1/16W D	
R174	NRSA63J-331X	MG RESISTOR	330Ω 1/16W J		R4025	NRSA63D-222X	MG RESISTOR	2.2kΩ 1/16W D	
R175	NRSA63J-472X	MG RESISTOR	4.7kΩ 1/16W J		R4026	NRSA63J-563X	MG RESISTOR	56kΩ 1/16W J	
R176	NRSA63J-222X	MG RESISTOR	2.2kΩ 1/16W J		R4027	NRSA63J-104X	MG RESISTOR	100kΩ 1/16W J	
R177	NRSA63J-474X	MG RESISTOR	470kΩ 1/16W J		R4028	NRSA63J-104X	MG RESISTOR	100kΩ 1/16W J	
R178	NRSA63J-222X	MG RESISTOR	2.2kΩ 1/16W J		R4029	NRSA63J-104X	MG RESISTOR	100kΩ 1/16W J	D,E,F
R179	NRSA63J-474X	MG RESISTOR	470kΩ 1/16W J		R4032	NRSA63J-0R0X	MG RESISTOR	0Ω 1/16W J	
R180	NRSA63J-0R0X	MG RESISTOR	0Ω 1/16W J		R4033	NRSA63J-392X	MG RESISTOR	3.9kΩ 1/16W J	
R1601	NRV142F-R33X	CMF RESISTOR	0.33Ω 1/4W F		R4034	NRSA63J-332X	MG RESISTOR	3.3kΩ 1/16W J	
R1602	NRV142F-R33X	CMF RESISTOR	0.33Ω 1/4W F		R4035	NRSA63J-332X	MG RESISTOR	3.3kΩ 1/16W J	
R1603	NRSA63J-153X	MG RESISTOR	15kΩ 1/16W J		R4036	NRSA63J-101X	MG RESISTOR	100Ω 1/16W J	
R1604	NRSA63J-153X	MG RESISTOR	15kΩ 1/16W J		R4037	NRSA63J-102X	MG RESISTOR	1kΩ 1/16W J	
R1605	NRSA63J-102X	MG RESISTOR	1kΩ 1/16W J		R4038	NRSA63J-471X	MG RESISTOR	470Ω 1/16W J	
R1606	NRSA63J-104X	MG RESISTOR	100kΩ 1/16W J		R4039	NRSA63J-471X	MG RESISTOR	470Ω 1/16W J	
R1607	NRSA63J-471X	MG RESISTOR	470Ω 1/16W J		R4040	NRSA63J-121X	MG RESISTOR	120Ω 1/16W J	
R1608	NRSA63J-154X	MG RESISTOR	150kΩ 1/16W J		R4201	NRSA63J-103X	MG RESISTOR	10kΩ 1/16W J	
R1609	NRSA63J-471X	MG RESISTOR	470Ω 1/16W J		R4202	NRSA63J-0R0X	MG RESISTOR	0Ω 1/16W J	
R1610	NRSA63J-104X	MG RESISTOR	100kΩ 1/16W J		R4203	NRSA63J-223X	MG RESISTOR	22kΩ 1/16W J	
R1611	NRSA63J-153X	MG RESISTOR	15kΩ 1/16W J		R4204	NRSA63J-331X	MG RESISTOR	330Ω 1/16W J	
R1612	NRSA63J-153X	MG RESISTOR	15kΩ 1/16W J		R4205	NRSA63J-105X	MG RESISTOR	1MΩ 1/16W J	
R1613	NRSA63J-104X	MG RESISTOR	100kΩ 1/16W J		R4206	NRSA63J-103X	MG RESISTOR	10kΩ 1/16W J	
R1615	NRSA63J-152X	MG RESISTOR	1.5kΩ 1/16W J		R4207	NRSA63J-104X	MG RESISTOR	100kΩ 1/16W J	
R1616	NRSA63J-152X	MG RESISTOR	1.5kΩ 1/16W J		R4208	NRSA63J-472X	MG RESISTOR	4.7kΩ 1/16W J	
R1617	NRSA63J-153X	MG RESISTOR	15kΩ 1/16W J		R4209	NRSA63J-104X	MG RESISTOR	100kΩ 1/16W J	
R1618	NRSA63J-153X	MG RESISTOR	15kΩ 1/16W J		R4210	NRSA63J-105X	MG RESISTOR	1MΩ 1/16W J	
R1619	NRSA63J-334X	MG RESISTOR	330kΩ 1/16W J		R4211	NRSA63J-243X	MG RESISTOR	24kΩ 1/16W J	
R1620	NRSA63J-221X	MG RESISTOR	220Ω 1/16W J		R4214	NRSA63J-472X	MG RESISTOR	4.7kΩ 1/16W J	
R1621	NRSA63J-331X	MG RESISTOR	330Ω 1/16W J		R4215	NRSA63J-683X	MG RESISTOR	68kΩ 1/16W J	
R1622	NRSA63J-152X	MG RESISTOR	1.5kΩ 1/16W J		R4216	NRSA63J-103X	MG RESISTOR	10kΩ 1/16W J	
R1624	NRSA63J-333X	MG RESISTOR	33kΩ 1/16W J		R4217	NRSA63J-102X	MG RESISTOR	1kΩ 1/16W J	
R1625	NRSA63J-123X	MG RESISTOR	12kΩ 1/16W J		R4218	NRSA63J-392X	MG RESISTOR	3.9kΩ 1/16W J	
R1626	NRSA63J-103X	MG RESISTOR	10kΩ 1/16W J		R4219	NRSA63J-104X	MG RESISTOR	100kΩ 1/16W J	
R1627	NRSA63J-223X	MG RESISTOR	22kΩ 1/16W J		R4220	NRSA63J-152X	MG RESISTOR	1.5kΩ 1/16W J	
R1628	NRSA63J-103X	MG RESISTOR	10kΩ 1/16W J		R4221	NRSA63J-334X	MG RESISTOR	330kΩ 1/16W J	
R1643	NRSA63J-0R0X	MG RESISTOR	0Ω 1/16W J		R4222	NRSA63J-224X	MG RESISTOR	220kΩ 1/16W J	
R2001	NRSA63J-104X	MG RESISTOR	100kΩ 1/16W J		R4223	NRSA63J-333X	MG RESISTOR	33kΩ 1/16W J	
R2002	NRSA63J-332X	MG RESISTOR	3.3kΩ 1/16W J		R4224	NRSA63J-223X	MG RESISTOR	22kΩ 1/16W J	
R2003	NRSA63J-102X	MG RESISTOR	1kΩ 1/16W J		R4251	NRSA63J-182X	MG RESISTOR	1.8kΩ 1/16W J	
R2004	NRSA63J-681X	MG RESISTOR	680Ω 1/16W J		R4252	NRSA63J-103X	MG RESISTOR	10kΩ 1/16W J	
R2005	NRSA63J-272X	MG RESISTOR	2.7kΩ 1/16W J		R4253	NRSA63J-103X	MG RESISTOR	10kΩ 1/16W J	
R2006	NRSA63J-102X	MG RESISTOR	1kΩ 1/16W J		R4254	NRSA63J-684X	MG RESISTOR	680kΩ 1/16W J	
R2011	NRSA63J-101X	MG RESISTOR	100Ω 1/16W J		R4255	NRSA63J-222X	MG RESISTOR	2.2kΩ 1/16W J	
R2012	NRSA63J-101X	MG RESISTOR	100Ω 1/16W J		R4256	NRSA63J-824X	MG RESISTOR	820kΩ 1/16W J	
R2021	NRSA63J-103X	MG RESISTOR	10kΩ 1/16W J		R4257	NRSA63J-822X	MG RESISTOR	8.2kΩ 1/16W J	
R2022	NRSA63J-334X	MG RESISTOR	330kΩ 1/16W J		R4258	NRSA63J-104X	MG RESISTOR	100kΩ 1/16W J	
R2023	NRSA63J-820X	MG RESISTOR	82Ω 1/16W J		R4259	NRSA63J-683X	MG RESISTOR	68kΩ 1/16W J	
R2024	NRSA63J-183X	MG RESISTOR	18kΩ 1/16W J		R4262	NRSA63J-302X	MG RESISTOR	3kΩ 1/16W J	
R2025	NRSA63J-823X	MG RESISTOR	82kΩ 1/16W J		△ R4501	NRSA63J-6R8X	MG RESISTOR	6.8Ω 1/16W J	
R2027	NRSA63J-102X	MG RESISTOR	1kΩ 1/16W J		△ R4502	NRSA63J-6R8X	MG RESISTOR	6.8Ω 1/16W J	
R2028	NRSA63J-102X	MG RESISTOR	1kΩ 1/16W J		△ R4503	NRSA63J-6R8X	MG RESISTOR	6.8Ω 1/16W J	
R2030	NRSA63J-104X	MG RESISTOR	100kΩ 1/16W J		△ R4504	NRSA63J-6R8X	MG RESISTOR	6.8Ω 1/16W J	
R2031	NRSA63J-332X	MG RESISTOR	3.3kΩ 1/16W J		R4505	NRSA63J-103X	MG RESISTOR	10kΩ 1/16W J	
R2051	NRSA63J-102X	MG RESISTOR	1kΩ 1/16W J		R4507	NRSA63J-103X	MG RESISTOR	10kΩ 1/16W J	
R2071	NRSA63J-473X	MG RESISTOR	47kΩ 1/16W J		R4508	NRSA63J-223X	MG RESISTOR	22kΩ 1/16W J	

△ Symbol No.	Part No.	Part Name	Description	Local	△ Symbol No.	Part No.	Part Name	Description	Local
R4509	NRSA63J-182X	MG RESISTOR	1.8kΩ 1/16W J		R7004	NRSA63D-123X	MG RESISTOR	12kΩ 1/16W D	D,E,F
R4516	NRSA63J-271X	MG RESISTOR	270Ω 1/16W J		R7005	NRSA63J-223X	MG RESISTOR	22kΩ 1/16W J	D,E,F
R4527	NRSA63J-0R0X	MG RESISTOR	0Ω 1/16W J		R7006	NRSA63D-332X	MG RESISTOR	3.3kΩ 1/16W D	D,E,F
R4701	NRSA63D-561X	MG RESISTOR	560Ω 1/16W D		R7007	NRSA63D-123X	MG RESISTOR	12kΩ 1/16W D	D,E,F
R4703	NRSA63J-681X	MG RESISTOR	680Ω 1/16W J		R7008	NRSA63J-223X	MG RESISTOR	22kΩ 1/16W J	D,E,F
R4704	NRSA63J-122X	MG RESISTOR	1.2kΩ 1/16W J		R7009	NRSA63D-332X	MG RESISTOR	3.3kΩ 1/16W D	D,E,F
R4706	NRSA63D-680X	MG RESISTOR	68Ω 1/16W D		R7010	NRSA63D-123X	MG RESISTOR	12kΩ 1/16W D	D,E,F
R4707	NRSA63D-561X	MG RESISTOR	560Ω 1/16W D		R7011	NRSA63J-223X	MG RESISTOR	22kΩ 1/16W J	D,E,F
R4709	NRSA63J-681X	MG RESISTOR	680Ω 1/16W J		R7012	NRSA63D-103X	MG RESISTOR	10kΩ 1/16W D	D,E,F
R4710	NRSA63J-122X	MG RESISTOR	1.2kΩ 1/16W J		R7013	NRSA63D-103X	MG RESISTOR	10kΩ 1/16W D	D,E,F
R4712	NRSA63D-680X	MG RESISTOR	68Ω 1/16W D		R7014	NRSA63D-103X	MG RESISTOR	10kΩ 1/16W D	D,E,F
R4713	NRSA63D-680X	MG RESISTOR	68Ω 1/16W D		R7015	NRSA63D-103X	MG RESISTOR	10kΩ 1/16W D	D,E,F
R5201	NRSA63J-0R0X	MG RESISTOR	0Ω 1/16W J		R7016	NRSA63D-103X	MG RESISTOR	10kΩ 1/16W D	D,E,F
R5203	NRSA63J-105X	MG RESISTOR	1MΩ 1/16W J		R7017	NRSA63D-103X	MG RESISTOR	10kΩ 1/16W D	D,E,F
R5204	NRSA63J-105X	MG RESISTOR	1MΩ 1/16W J		R7301	NRSA63D-102X	MG RESISTOR	1kΩ 1/16W D	
R5205	NRSA63J-105X	MG RESISTOR	1MΩ 1/16W J		R7303	NRVA63D-821X	CMF RESISTOR	820Ω 1/16W D	
R5206	NRSA63J-105X	MG RESISTOR	1MΩ 1/16W J		R7310	NRSA63J-0R0X	MG RESISTOR	0Ω 1/16W J	A,B,C
R5208	NRSA63J-333X	MG RESISTOR	33kΩ 1/16W J		R7311	NRSA63J-103X	MG RESISTOR	10kΩ 1/16W J	D,E,F
R5212	NRSA63J-104X	MG RESISTOR	100kΩ 1/16W J		R7312	NRSA63J-152X	MG RESISTOR	1.5kΩ 1/16W J	D,E,F
R5213	NRSA63J-0R0X	MG RESISTOR	0Ω 1/16W J		R7313	NRSA63J-473X	MG RESISTOR	47kΩ 1/16W J	D,E,F
R5214	NRSA63J-121X	MG RESISTOR	120Ω 1/16W J		RA101	NRZ0038-222X	NET RESISTOR	2.2kΩ	
R5215	NRSA63J-0R0X	MG RESISTOR	0Ω 1/16W J		RA102	NRZ0038-222X	NET RESISTOR	2.2kΩ	
R5218	NRSA63J-100X	MG RESISTOR	10Ω 1/16W J		RA103	NRZ0038-222X	NET RESISTOR	2.2kΩ	
R5219	NRSA63J-222X	MG RESISTOR	2.2kΩ 1/16W J		RA104	NRZ0038-222X	NET RESISTOR	2.2kΩ	
R6001	NRSA63J-104X	MG RESISTOR	100kΩ 1/16W J		RA107	NRZ0038-222X	NET RESISTOR	2.2kΩ	
R6002	NRSA63J-333X	MG RESISTOR	33kΩ 1/16W J		RA108	NRZ0038-222X	NET RESISTOR	2.2kΩ	
R6003	NRVA63D-912X	CMF RESISTOR	9.1kΩ 1/16W D		RA109	NRZ0038-474X	NET RESISTOR	470kΩ	
R6004	NRVA63D-681X	CMF RESISTOR	680Ω 1/16W D		RA110	NRZ0038-474X	NET RESISTOR	470kΩ	
R6005	NRVA63D-153X	CMF RESISTOR	15kΩ 1/16W D		RA111	NRZ0038-474X	NET RESISTOR	470kΩ	
R6008	NRVA63D-103X	CMF RESISTOR	10kΩ 1/16W D		RA112	NRZ0038-104X	NET RESISTOR	100kΩ	
R6011	NRSA02J-0R0X	MG RESISTOR	0Ω 1/10W J		RA6020	NRZ0038-102X	NET RESISTOR	1kΩ	
R6012	NRSA63J-103X	MG RESISTOR	10kΩ 1/16W J		L101	NQL365K-220X	COIL	22uH K	
R6015	NRSA63J-104X	MG RESISTOR	100kΩ 1/16W J		L1601	NQL144M-1R0X	P COIL	1uH M	
R6021	NRSA63J-222X	MG RESISTOR	2.2kΩ 1/16W J		L1602	NQL144K-100X	P COIL	10uH K	
R6024	NRSA63J-224X	MG RESISTOR	220kΩ 1/16W J		L2001	NQL144K-470X	P COIL	47uH K	
R6025	NRSA63J-104X	MG RESISTOR	100kΩ 1/16W J		L2003	NQL034K-470X	P COIL	47uH K	
R6026	NRSA63J-104X	MG RESISTOR	100kΩ 1/16W J		L2004	NQR0406-003X	FERRITE BEADS		
R6027	NRSA63J-104X	MG RESISTOR	100kΩ 1/16W J		L2005	NQR0406-003X	FERRITE BEADS		
R6028	NRSA63J-104X	MG RESISTOR	100kΩ 1/16W J		L2021	NQL315K-470X	COIL	47uH K	
R6029	NRSA63J-104X	MG RESISTOR	100kΩ 1/16W J		L2022	NQR0406-003X	FERRITE BEADS		
R6036	NRSA63J-0R0X	MG RESISTOR	0Ω 1/16W J		L2023	NQR0406-003X	FERRITE BEADS		
R6103	NRVA63D-223X	CMF RESISTOR	22kΩ 1/16W D		L2051	NRSA63J-0R0X	MG RESISTOR	0Ω 1/16W J	
R6104	NRVA63D-103X	CMF RESISTOR	10kΩ 1/16W D		L2052	NRSA63J-0R0X	MG RESISTOR	0Ω 1/16W J	
R6203	NRVA63D-103X	CMF RESISTOR	10kΩ 1/16W D		L2071	NRSA63J-0R0X	MG RESISTOR	0Ω 1/16W J	
R6204	NRVA63D-123X	CMF RESISTOR	12kΩ 1/16W D		L2072	NRSA63J-0R0X	MG RESISTOR	0Ω 1/16W J	
R6303	NRVA63D-183X	CMF RESISTOR	18kΩ 1/16W D		L2401	NQL315K-470X	COIL	47uH K	D,E,F
R6304	NRVA63D-472X	CMF RESISTOR	4.7kΩ 1/16W D		L3502	NQL315K-220X	COIL	22uH K	
R6306	NRSA63J-0R0X	MG RESISTOR	0Ω 1/16W J		L3503	NQL085J-5R6X	COIL	5.6uH J	
R6307	NRSA63J-104X	MG RESISTOR	100kΩ 1/16W J		△ L4001	NQL365K-220X	COIL	22uH K	
R6314	NRS12BK-R47W	MG RESISTOR	0.47Ω 1/2W K		△ L4002	NQL365K-220X	COIL	22uH K	
R6401	NRSA63J-0R0X	MG RESISTOR	0Ω 1/16W J		L4201	NQR0006-001X	FERRITE BEADS		
R6501	NRSA63J-0R0X	MG RESISTOR	0Ω 1/16W J		L4501	NQR0006-001X	FERRITE BEADS		
R6502	NRSA63J-471X	MG RESISTOR	470Ω 1/16W J		L4502	NQL034K-220X	P COIL	22uH K	
R6603	NRVA63D-683X	CMF RESISTOR	68kΩ 1/16W D		L4701	NQL365K-220X	COIL	22uH K	
R6604	NRVA63D-392X	CMF RESISTOR	3.9kΩ 1/16W D		L5201	NQL315K-220X	COIL	22uH K	
R6605	NRSA63J-274X	MG RESISTOR	270kΩ 1/16W J		L5202	NQL315K-220X	COIL	22uH K	
R6606	NRSA63J-272X	MG RESISTOR	2.7kΩ 1/16W J		L5203	NQL315K-220X	COIL	22uH K	
R6612	NRSA63J-823X	MG RESISTOR	82kΩ 1/16W J		L5204	NQL315K-220X	COIL	22uH K	
R6613	NRSA63J-104X	MG RESISTOR	100kΩ 1/16W J		L5205	NQR0129-002X	FERRITE BEADS		
R6614	NRSA63J-153X	MG RESISTOR	15kΩ 1/16W J		L5206	NQR0129-002X	FERRITE BEADS		
R6616	NRSA63J-102X	MG RESISTOR	1kΩ 1/16W J		L6001	NQL64EM-100X	COIL	10uH M	
R6702	NRSA63J-330X	MG RESISTOR	33Ω 1/16W J		L6002	NQL64EM-100X	COIL	10uH M	
R6704	NRVA63D-123X	CMF RESISTOR	12kΩ 1/16W D		L6101	NQL64EM-330X	COIL	33uH M	
R6706	NRZ0058-R20X	MG RESISTOR	0.2Ω		L6201	NQL64EM-470X	COIL	47uH M	
R6707	NRS016J-121X	MG RESISTOR	120Ω 1W J		L6301	NQL52EM-220X	COIL	22uH M	
R6708	NRS016J-121X	MG RESISTOR	120Ω 1W J		L6401	NQLZ011-470X	COIL	47uH M	
R6709	NRS016J-121X	MG RESISTOR	120Ω 1W J		L6501	NQLZ011-470X	COIL	47uH M	
R6710	NRVA63D-823X	CMF RESISTOR	82kΩ 1/16W D		L6601	NQLZ011-221X	COIL	220uH M	
R6711	NRVA63D-333X	CMF RESISTOR	33kΩ 1/16W D		L6701	NQL73EM-100X	COIL	10uH M	
R6713	NRSA63J-562X	MG RESISTOR	5.6kΩ 1/16W J		L7001	NQL365K-220X	COIL	22uH K	D,E,F
R6715	NRSA63J-222X	MG RESISTOR	2.2kΩ 1/16W J		L7002	NQL365K-220X	COIL	22uH K	D,E,F
R6803	NRSA63J-563X	MG RESISTOR	56kΩ 1/16W J		L7301	NQL144K-100X	P COIL	10uH K	
R6804	NRSA63J-333X	MG RESISTOR	33kΩ 1/16W J		CN1	QGF0507F3-10X	CONNECTOR	FFC/FPC (1-10)	
R6812	NRSA63J-222X	MG RESISTOR	2.2kΩ 1/16W J		CN2	QGF0508F1-14X	CONNECTOR	FFC/FPC (1-14)	
R6961	NRSA63J-223X	MG RESISTOR	22kΩ 1/16W J		CN3	QGF0505F2-18X	CONNECTOR	FFC/FPC (1-18)	
R7001	NRSA63D-123X	MG RESISTOR	12kΩ 1/16W D	D,E,F	CN4	QGA1201F2-02X	CONNECTOR	W-B (1-2)	
R7002	NRSA63D-103X	MG RESISTOR	10kΩ 1/16W D	D,E,F					
R7003	NRSA63D-332X	MG RESISTOR	3.3kΩ 1/16W D	D,E,F					

Symbol No.	Part No.	Part Name	Description	Local	Symbol No.	Part No.	Part Name	Description	Local
CN5	QGF0507F3-11X	CONNECTOR	FFC/FPC (1-11)		Q7504	or UN9213J-X	DIGI TRANSISTOR		
CN6	QGA1201C2-02X	CONNECTOR	W-B (1-2)		Q7504	or RN1104-X	DIGI TRANSISTOR		
CN7	QGF0507F3-11X	CONNECTOR	FFC/FPC (1-11)		Q7504	or BCR148T-X	DIGI TRANSISTOR		
CN8	QGA1201C2-02X	CONNECTOR	W-B (1-2)		Q7601	2SC4617/QR/-X	TRANSISTOR		
CN12	QGA1201F2-03X	CONNECTOR	W-B (1-3)		Q7601	or BC847BT-X	TRANSISTOR		
CN13	QGF0507F4-14X	CONNECTOR	FFC/FPC (1-14)		Q7602	2SA1774/QR/-X	TRANSISTOR		
CN15	QGF0507F3-24X	CONNECTOR	FFC/FPC (1-24)		Q7602	or BC857BT-X	TRANSISTOR		
CN16	QGF0508F1-25X	CONNECTOR	FFC/FPC (1-25)	D,E,F	Q7603	2SC4617/QR/-X	TRANSISTOR		
CN18	QGF0503C1-13X	CONNECTOR	FFC/FPC (1-13)		Q7603	or BC847BT-X	TRANSISTOR		
CN22	QGF0507F3-14X	CONNECTOR	FFC/FPC (1-14)		Q7604	2SA1774/QR/-X	TRANSISTOR		
CN25	QGB0801M1-20X	CONNECTOR	B-B (1-20)		Q7604	or BC857BT-X	TRANSISTOR		
CN27	QGA1201C2-02X	CONNECTOR	W-B (1-2)	D,E,F	Q7605	DTA144EE-X	DIGI TRANSISTOR		
CN28	QGA1002F1-10X	CONNECTOR	W-B (1-10)		Q7605	or UN9113J-X	DIGI TRANSISTOR		
△ F6001	NMFZ007-2R5X-K	FUSE	2.5A 24V		Q7605	or RN2104-X	DIGI TRANSISTOR		
△ F6002	NMFZ007-1R25X-K	FUSE	1.25A 32V		Q7605	or BCR198T-X	DIGI TRANSISTOR		
△ F6004	NMFZ007-R40X-K	FUSE	0.4A 50V		Q7606	DTA144EE-X	DIGI TRANSISTOR		
△ F6005	NMFZ007-1R25X-K	FUSE	1.25A 32V		Q7606	or UN9113J-X	DIGI TRANSISTOR		
△ F6006	NMFZ015-2R0X-M	FUSE	2A		Q7606	or RN2104-X	DIGI TRANSISTOR		
△ F6007	NMFZ007-1R25X-K	FUSE	1.25A 32V		Q7606	or BCR198T-X	DIGI TRANSISTOR		
△ F6008	NMFZ007-1R25X-K	FUSE	1.25A 32V		Q7607	DTA144EE-X	DIGI TRANSISTOR		
△ F7301	NMFZ007-R50X-K	FUSE	0.5A 50V		Q7607	or UN9113J-X	DIGI TRANSISTOR		
△ J101	QAB0050-001	LI BATTERY			Q7607	or RN2104-X	DIGI TRANSISTOR		
J504	LY33041-001A	JACK UNIT			Q7607	or BCR198T-X	DIGI TRANSISTOR		
J505	QND0068-001	S JACK			Q7608	DTC144EE-X	DIGI TRANSISTOR		
SD1	LY43421-001A	SHIELD PLATE			Q7608	or UN9213J-X	DIGI TRANSISTOR		
WR1	WJV0039-001A	E-PRIMARY WIRE	JP2001/2002- JP2003/2004		Q7608	or RN1104-X	DIGI TRANSISTOR		
X101	NAX0571-001	CRYSTAL	16.000MHz		Q7608	or BCR148T-X	DIGI TRANSISTOR		
X102	NAX0267-001X	CRYSTAL	32.768KHz		D7601	MA365-X	VARI CAP DIODE		
X4001	QAX0708-001	CRYSTAL	28.375MHz		D7602	RB471E-W	SB DIODE		
OT1	LY30016-049A	SPACER-A			D7603	UDZ55.1B-X	Z DIODE		
OT2	PU59915-105	#500SPACER0.01			D7604	MA741WA-X	SB DIODE		
OT3	PU59915-105	#500SPACER0.01							

### CCD BOARD ASSEMBLY <02>

Symbol No.	Part No.	Part Name	Description	Local
PW1	YB10400A2-02	CCD BOARD ASSY		
Q5301	2SC3931/CD/-X	TRANSISTOR		
Q5301	or 2SC4774/RS/-X	TRANSISTOR		
C5301	NCF31EZ-104X	C CAPACITOR	0.1uF 25V Z	
C5302	NBP21EM-155X	TA E CAPACITOR	1.5uF 25V M	
C5303	NCB31HK-222X	C CAPACITOR	2200pF 50V K	
C5304	NCF31EZ-104X	C CAPACITOR	0.1uF 25V Z	
C5305	NDC31HJ-270X	C CAPACITOR	27pF 50V J	
R5301	NRSA63J-105X	MG RESISTOR	1MΩ 1/16W J	
R5302	NRSA63J-562X	MG RESISTOR	5.6kΩ 1/16W J	
CN5301	QGF0505F1-14X	CONNECTOR	FFC/FPC (1-14)	

### MONITOR BOARD ASSEMBLY <07> [D, E, F]

Symbol No.	Part No.	Part Name	Description	Local
PW1	YB20935A	MONITOR BOARD ASSY		
IC7601	MN5814	IC		
IC7602	BA4558F-X	IC		
IC7603	SN74AHC1G04K-X	IC		
IC7604	DN8797MS-X	IC		
Q7501	2SD1664/QR/-W	TRANSISTOR		
Q7502	2SD1664/QR/-W	TRANSISTOR		
Q7503	DTA144EE-X	DIGI TRANSISTOR		
Q7503	or UN9113J-X	DIGI TRANSISTOR		
Q7503	or RN2104-X	DIGI TRANSISTOR		
Q7503	or BCR198T-X	DIGI TRANSISTOR		
Q7504	DTC144EE-X	DIGI TRANSISTOR		

C7501	NCZ1016-120X	C CAPACITOR		
C7502	NCB21EK-273X	C CAPACITOR	0.027uF 25V K	
C7503	NCB31EK-103X	C CAPACITOR	0.01uF 25V K	
C7504	NCB10JK-106X	C CAPACITOR	10uF 6.3V K	
C7601	NBE20JM-106X	TA E CAPACITOR	10uF 6.3V M	
C7602	NCB31EK-103X	C CAPACITOR	0.01uF 25V K	
C7606	NCB31EK-103X	C CAPACITOR	0.01uF 25V K	
C7607	NBP41EM-475X	TA E CAPACITOR	4.7uF 25V M	
C7608	NCB31EK-103X	C CAPACITOR	0.01uF 25V K	
C7609	NBP41CM-106X	TA E CAPACITOR	10uF 16V M	
C7610	NDC31HJ-330X	C CAPACITOR	33pF 50V J	
C7611	NCB31EK-103X	C CAPACITOR	0.01uF 25V K	
C7612	NCB31EK-103X	C CAPACITOR	0.01uF 25V K	
C7613	NCB31EK-103X	C CAPACITOR	0.01uF 25V K	
C7614	NCB21CK-334X	C CAPACITOR	0.33uF 16V K	
C7615	NDC31HJ-331X	C CAPACITOR	330pF 50V J	
C7616	NDC31HJ-560X	C CAPACITOR	56pF 50V J	
C7617	NDC31HJ-220X	C CAPACITOR	22pF 50V J	
C7618	NCB31EK-103X	C CAPACITOR	0.01uF 25V K	
C7619	NDC31HJ-270X	C CAPACITOR	27pF 50V J	
C7620	NDC31HJ-270X	C CAPACITOR	27pF 50V J	
C7621	NCB31EK-103X	C CAPACITOR	0.01uF 25V K	
C7622	NCB11CK-225X	C CAPACITOR	2.2uF 16V K	
C7623	NCB31EK-682X	C CAPACITOR	6800pF 25V K	
C7624	NCB31EK-103X	C CAPACITOR	0.01uF 25V K	
C7626	NBP41EM-475X	TA E CAPACITOR	4.7uF 25V M	
C7627	NCB31EK-103X	C CAPACITOR	0.01uF 25V K	

R7501	NRSA63J-102X	MG RESISTOR	1kΩ 1/16W J	
R7502	NRSA63J-102X	MG RESISTOR	1kΩ 1/16W J	
R7503	NRSA63J-102X	MG RESISTOR	1kΩ 1/16W J	
R7601	NRSA63D-103X	MG RESISTOR	10kΩ 1/16W D	
R7602	NRSA63D-752X	MG RESISTOR	7.5kΩ 1/16W D	
R7603	NRSA63D-333X	MG RESISTOR	33kΩ 1/16W J	
R7604	NRSA63J-123X	MG RESISTOR	12kΩ 1/16W J	
R7605	NRSA63J-123X	MG RESISTOR	12kΩ 1/16W J	
R7606	NRSA63D-153X	MG RESISTOR	15kΩ 1/16W D	
R7607	NRSA63D-822X	MG RESISTOR	8.2kΩ 1/16W D	
R7608	NRSA63J-682X	MG RESISTOR	6.8kΩ 1/16W J	
R7610	NRSA63J-104X	MG RESISTOR	100kΩ 1/16W J	
R7611	NRSA63J-223X	MG RESISTOR	22kΩ 1/16W J	
R7612	NRSA63J-474X	MG RESISTOR	470kΩ 1/16W J	
R7613	NRSA63J-103X	MG RESISTOR	10kΩ 1/16W J	
R7615	NRSA63J-0R0X	MG RESISTOR	0Ω 1/16W J	
R7617	NRSA63J-0R0X	MG RESISTOR	0Ω 1/16W J	

△ Symbol No.	Part No.	Part Name	Description	Local	△ Symbol No.	Part No.	Part Name	Description	Local
R7618	NRSA63J-0R0X	MG RESISTOR	0Ω 1/16W J		C7003	QEDP1AM-227	E CAPACITOR	220uF 10V M	
R7621	NRSA63J-102X	MG RESISTOR	1kΩ 1/16W J		C7004	QEDP1AM-227	E CAPACITOR	220uF 10V M	
R7622	NRSA63J-103X	MG RESISTOR	10kΩ 1/16W J		C7005	NCF21CZ-105X	CAPACITOR	1uF 16V Z	
R7624	NRSA63J-102X	MG RESISTOR	1kΩ 1/16W J		C7006	NCB21HK-152X	CAPACITOR	0.0015uF 50V K	
R7625	NRSA63J-0R0X	MG RESISTOR	0Ω 1/16W J		C7007	NCB11CK-105X	CAPACITOR	1uF 16V K	
R7628	NRSA63J-471X	MG RESISTOR	470Ω 1/16W J		C7008	NCF21CZ-105X	CAPACITOR	1uF 16V Z	
R7629	NRSA63J-471X	MG RESISTOR	470Ω 1/16W J		C7009	PECA1131-A107	E CAPACITOR	100uF 10V	
R7630	NRSA63J-471X	MG RESISTOR	470Ω 1/16W J		C7010	CM316UJ472J100A	CAPACITOR	0.0056uF 100V	
R7631	NRSA63J-0R0X	MG RESISTOR	0Ω 1/16W J		C7011	NDC21HJ-180X	CAPACITOR	18pF 50V J	
R7632	NRSA02J-0R0X	MG RESISTOR	0Ω 1/10W J		C7012	QEK1HM-105Z	E CAPACITOR	1uF 50V M	
R7633	NRSA63J-104X	MG RESISTOR	100kΩ 1/16W J		C7013	NCF21HZ-104X	CAPACITOR	0.1uF 50V Z	
R7635	NRSA63J-223X	MG RESISTOR	22kΩ 1/16W J		C7014	NCF21HZ-104X	CAPACITOR	0.1uF 50V Z	
R7636	NRSA63J-223X	MG RESISTOR	22kΩ 1/16W J		C7015	QCZ0212-151	CAPACITOR	150pF 1kV K	
R7637	NRSA63J-223X	MG RESISTOR	22kΩ 1/16W J		C7016	PECA1006	CAPACITOR	330pF 500V	
R7638	NRSA63J-223X	MG RESISTOR	22kΩ 1/16W J		L7001	QQR0970-001	LINEARITY COIL		
R7639	NRSA63J-223X	MG RESISTOR	22kΩ 1/16W J		L7002	PU49994-220	COIL	22uH	
R7640	NRSA02J-182X	MG RESISTOR	1.8kΩ 1/10W J		L7003	PELN1101-680JY	COIL	68uH	
R7641	NRSA02J-331X	MG RESISTOR	330Ω 1/10W J		△ T7001	QQH0011-002	FB TRANS		
R7645	NRSA63J-682X	MG RESISTOR	6.8kΩ 1/16W J		CN7001	B4B-ZR	CAP HOUSING		
R7646	NRSA63J-392X	MG RESISTOR	3.9kΩ 1/16W J		CN7002	WJK0095-006A	WIRE ASSY,for PAL		
R7648	NRSA63J-103X	MG RESISTOR	10kΩ 1/16W J		OT1	PU59915-105	SPACER#500,for L7001		
R7650	NRSA63J-103X	MG RESISTOR	10kΩ 1/16W J						
R7654	NRSA63J-103X	MG RESISTOR	10kΩ 1/16W J						
L7501	NQLZ010-680X	COIL	68uH						
L7502	NQL03BK-100X	P COIL	10uH K						
L7601	NQL315K-220X	COIL	22uH K						
L7604	NQL315K-220X	COIL	22uH K						
L7605	NQL085J-4R7X	COIL	4.7uH J						
T7501	NQS0056-001X	SW TARN SF							
CN7601	QGF0303F1-25W	CONNECTOR	FFC/FPC (1-25)						
CN7602	QGF0508F1-24X	CONNECTOR	FFC/FPC (1-24)						
△ F7501	NMFZ007-R40X-K	FUSE	0.4A 50V						
OT1	QAL0449-001	FPC	J7601-J7603						

### E.VF BOARD ASSEMBLY <60>

△ Symbol No.	Part No.	Part Name	Description	Local
PW	LY41289-006A	E.VF BOARD ASSY		
IC7001	BA7149F-XE	IC		
Q7001	2SD968A(RS)	PH TRANSISTOR		
Q7002	2SA1748(QR)	PH TRANSISTOR		
Q7003	2SA1748(QR)	PH TRANSISTOR		
D7001	MA142WA	DIODE		
R7002	NRSA02J-3R9X	MG RESISTOR	3.9Ω 1/10W J	
R7003	NRVA02D-185X	CMF RESISTOR	15kΩ 1/10W D	
R7005	NRSA02J-102X	MG RESISTOR	1kΩ 1/10W J	
R7006	NRSA02J-113X	MG RESISTOR	11kΩ 1/10W J	
R7007	NRSA02J-330X	MG RESISTOR	33Ω 1/10W J	
R7008	NRSA02J-394X	MG RESISTOR	390kΩ 1/10W J	
R7009	NRSA02J-103X	MG RESISTOR	10kΩ 1/10W J	
R7010	NRVA02D-104X	CMF RESISTOR	100kΩ 1/10W D	
R7011	NRSA02J-223X	MG RESISTOR	22kΩ 1/10W J	
R7012	NRSA02J-221X	MG RESISTOR	220Ω 1/10W J	
R7013	NRSA02J-102X	MG RESISTOR	1kΩ 1/10W J	
R7014	NRSA02J-472X	MG RESISTOR	4.7kΩ 1/10W J	
R7015	NRSA02J-223X	MG RESISTOR	22kΩ 1/10W J	
R7016	NRSA02J-122X	MG RESISTOR	1.2kΩ 1/10W J	
R7017	NRSA02J-472X	MG RESISTOR	4.7kΩ 1/10W J	
R7018	NRSA02J-223X	MG RESISTOR	22kΩ 1/10W J	
R7019	NRSA02J-120X	MG RESISTOR	12Ω 1/10W J	
R7020	NRSA02J-685X	MG RESISTOR	6.8MΩ 1/10W J	
R7021	NRSA02J-475X	MG RESISTOR	4.7MΩ 1/10W J	
R7022	NRSA02J-475X	MG RESISTOR	4.7MΩ 1/10W J	
R7023	NRSA02J-564X	MG RESISTOR	560kΩ 1/10W J	
R7024	NRSA02J-105X	MG RESISTOR	1MΩ 1/10W J	
R7025	NRSA02J-275X	MG RESISTOR	2.7MΩ 1/10W J	
R7026	NRSA02J-275X	MG RESISTOR	2.7MΩ 1/10W J	
VR7001	NVP0001-221X	TRIM RESISTOR	V.SIZE	
VR7002	NVP0001-225X	TRIM RESISTOR	BRIGHT	
VR7003	PERE0595-565	V RESISTOR	FOCUS	
C7001	QFV11HJ-104A	F CAPACITOR	0.1uF 50V J	
C7002	QEDP1AM-227	E CAPACITOR	220uF 10V M	