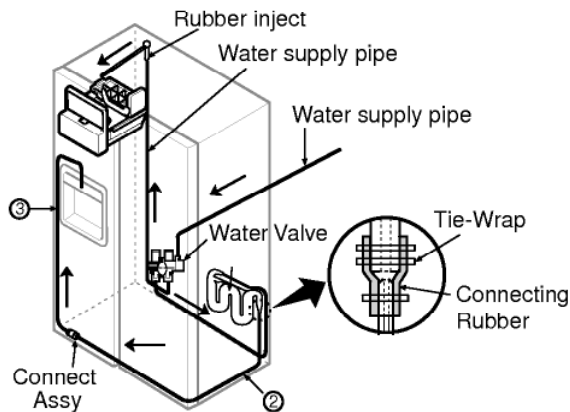


HOW TO DISASSEMBLE AND ASSEMBLE

9. WATER TANK AND WATER LINE

► The water tank at back and lower part of a refrigerator is fixed by one screw and has a capacity containing 7 glasses (180cc per glass) of cold water. It will take time to make more cold water in the tank.

* The first portion of dispensed water is not cold even though the refrigerator is working. In this case, dispense ice first in the cup and then water to make a cold water.



9-1. How to disassemble the water supply pipe ①

- 1) Disconnect five fixtures mounted on the rear wall of the refrigerator after disconnecting the water supply pipe ① from a water valve.
- 2) Remove a tie-wrap and two screws connected to the rubber inject.
- 3) Replace the water supply pipe ① after disconnecting the water supply pipe ① from a rubber inject. And assemble the parts by performing disassembly in reverse order.

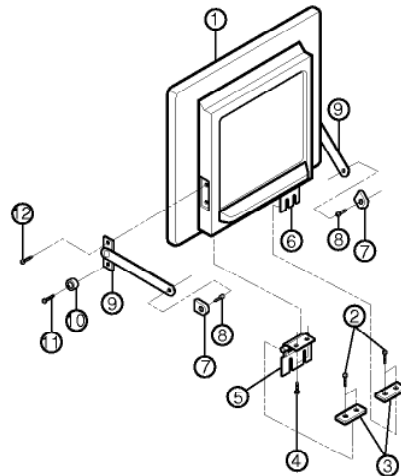
9-2. How to disassemble the water tank and the water supply pipe

- 1) Disconnect the water supply pipe ② from a water valve on the back and lower part of the freezer.
- 2) Disconnect the connector Assy. in water supply pipe at lower part of the freezer door.
- 3) Pull out the water supply pipe ② from the thermal insulation materials after removing one screw and six tie-wraps in the lower part of a refrigerator compartment.
- 4) Replace a water tank or a water supply pipe ② and assemble the parts by performing disassembly in reverse order.

Note : • The water supply pipe ③ cannot be disassembled.
• Tightly fasten six tie-wraps to prevent leakage.

10. HOME BAR

10-1. Home Bar related parts



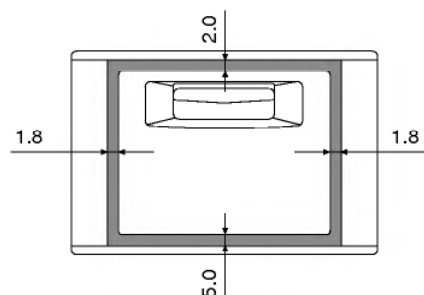
1 DOOR ASSY, H/BAR	7 CAP. ARM
2 SEREW, TAP TITE(HINGE-H/B)	8 SCREW TAP TITE(ARM)
3 BRACKET HINGE	9 ARM ASSY
4 SCREW MACHINE(HINGE-H/B)	10 STOPPER
5 HINGE ASSY H/BAR	11 SCREW, MACHINE(STOP ARM-H/B)
6 HINGE ASSY H/BAR	12 SCREW MACHINE(HINGE-H/B)

10-2. Home Bar parts disassembly and assembly

- 1) Disconnect H/Bar Door Assy ①.
- 2) Loosen two screws ⑧ attached on the refrigerator compartment door with a phillips screwdriver. And loosen 4 screws ② and two screws ③. Pull H/Bar door Assy ①. forward to disassemble.
- 3) Loosen two screws ⑪, ⑩ fixed on H/Bar door Assy. and two screws ⑫ with a cross driver to disassemble arm Assy.
- 4) Assemble parts by performing the disassembly in reverse order.

Note : • Assemble carefully parts ⑪, ⑧, ⑫ until they are fixed firmly when assembling them.

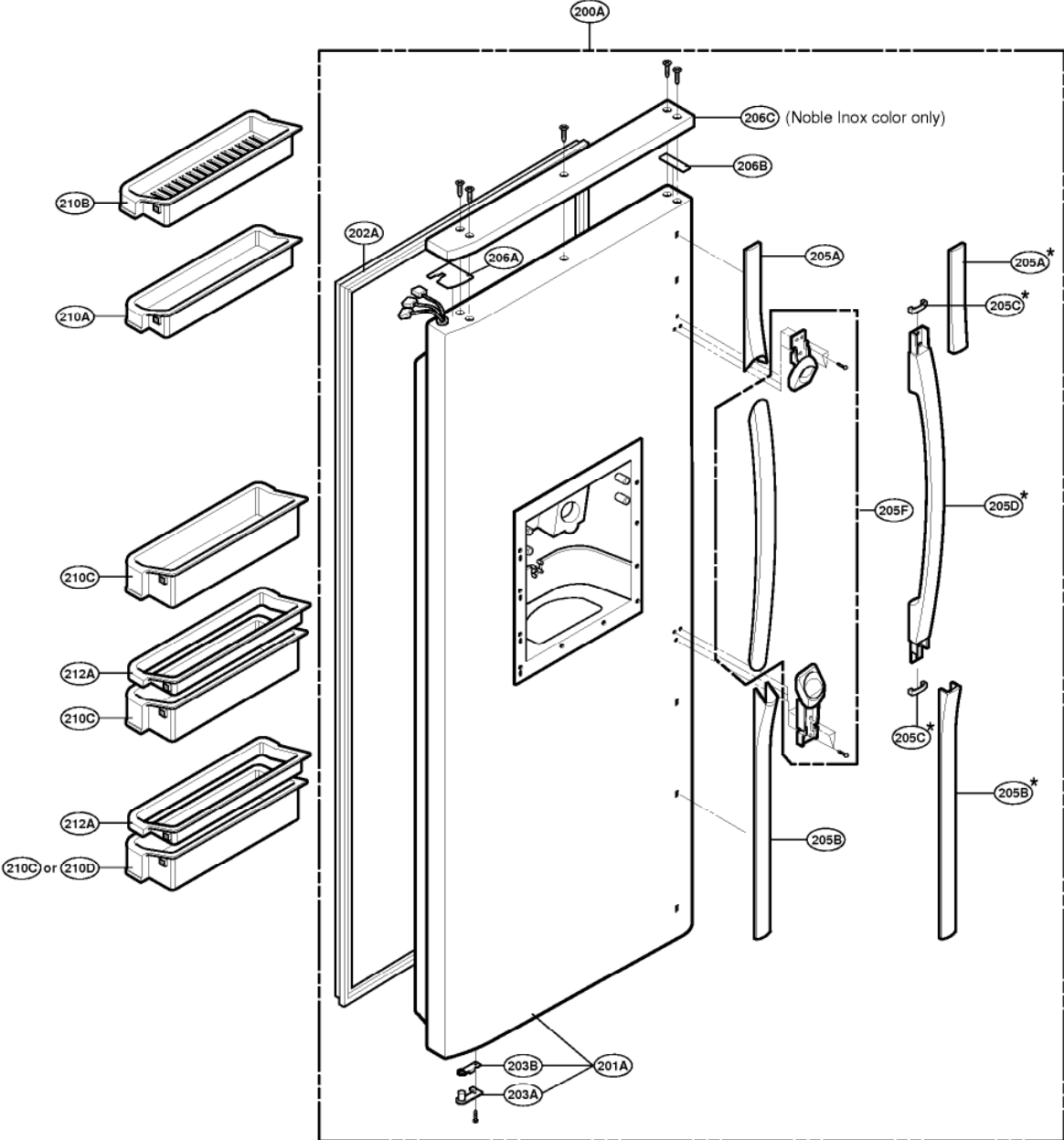
• Adjust exterior gap by adjusting parts ②, ⑧ and when assembling.



EXPLODED VIEW

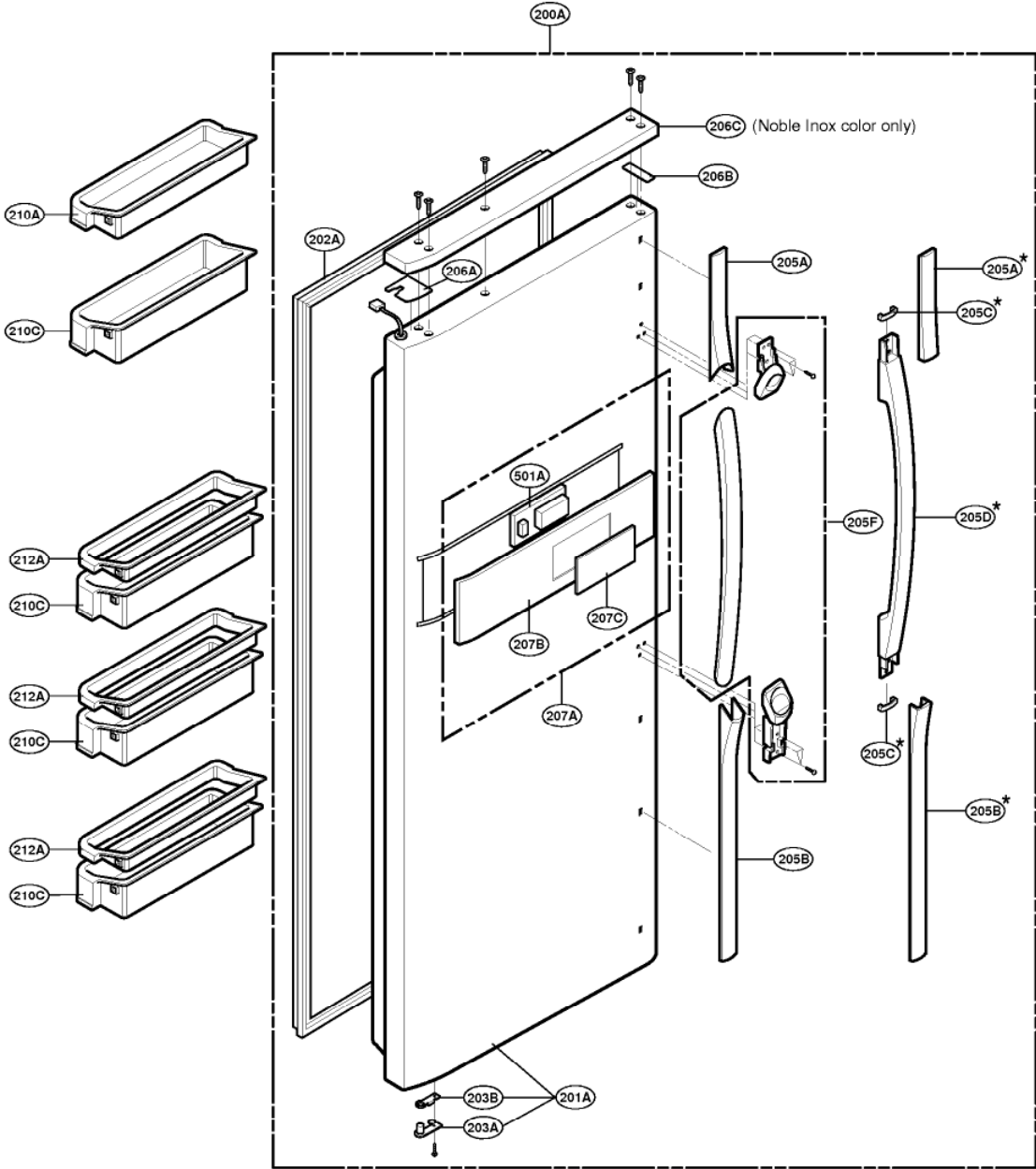
Ref No. : GR-P267 / GR-L267

FREEZER DOOR PART



Ref No. : GR-C267 / GR-B267

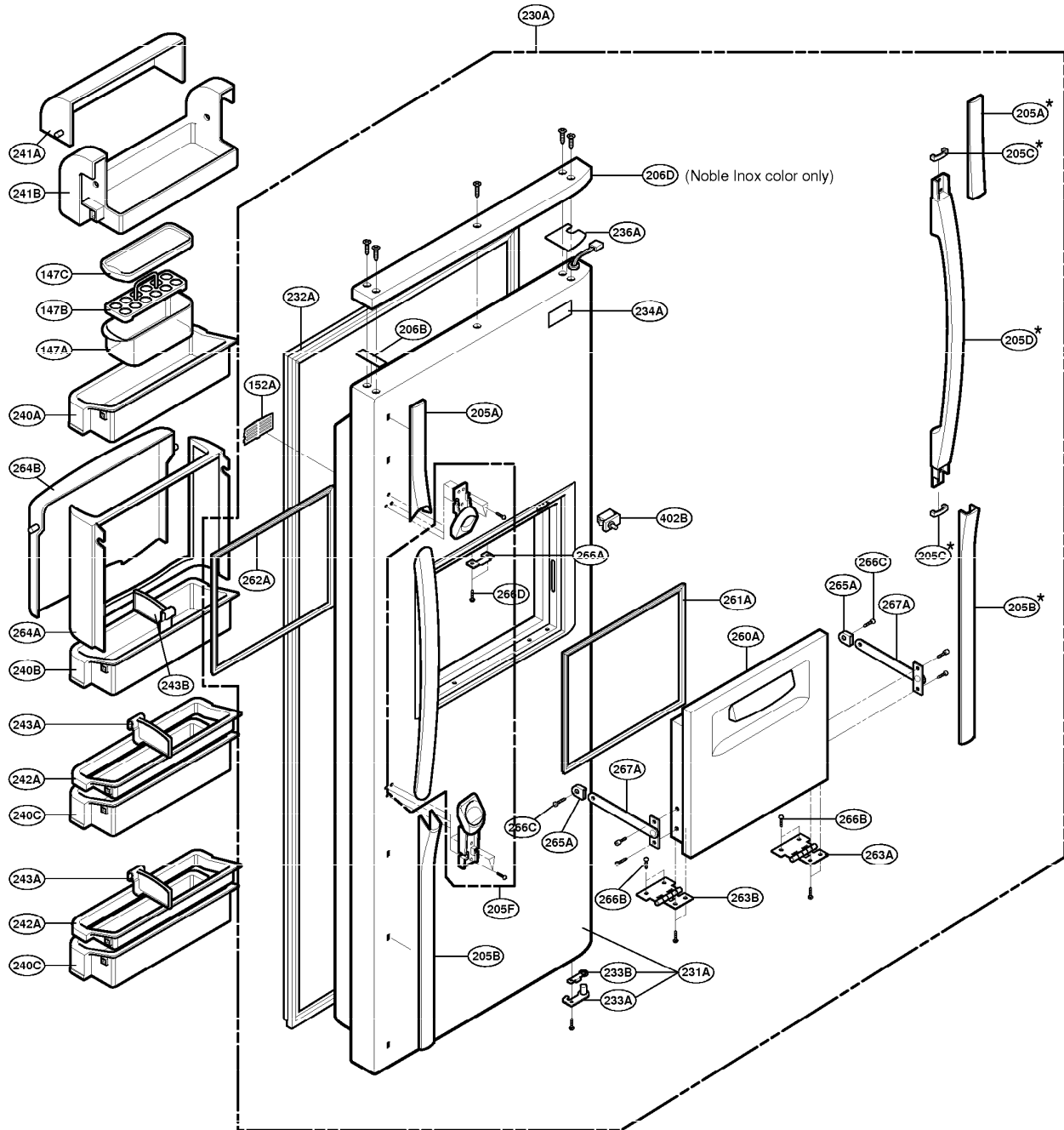
FREEZER DOOR PART



EXPLODED VIEW

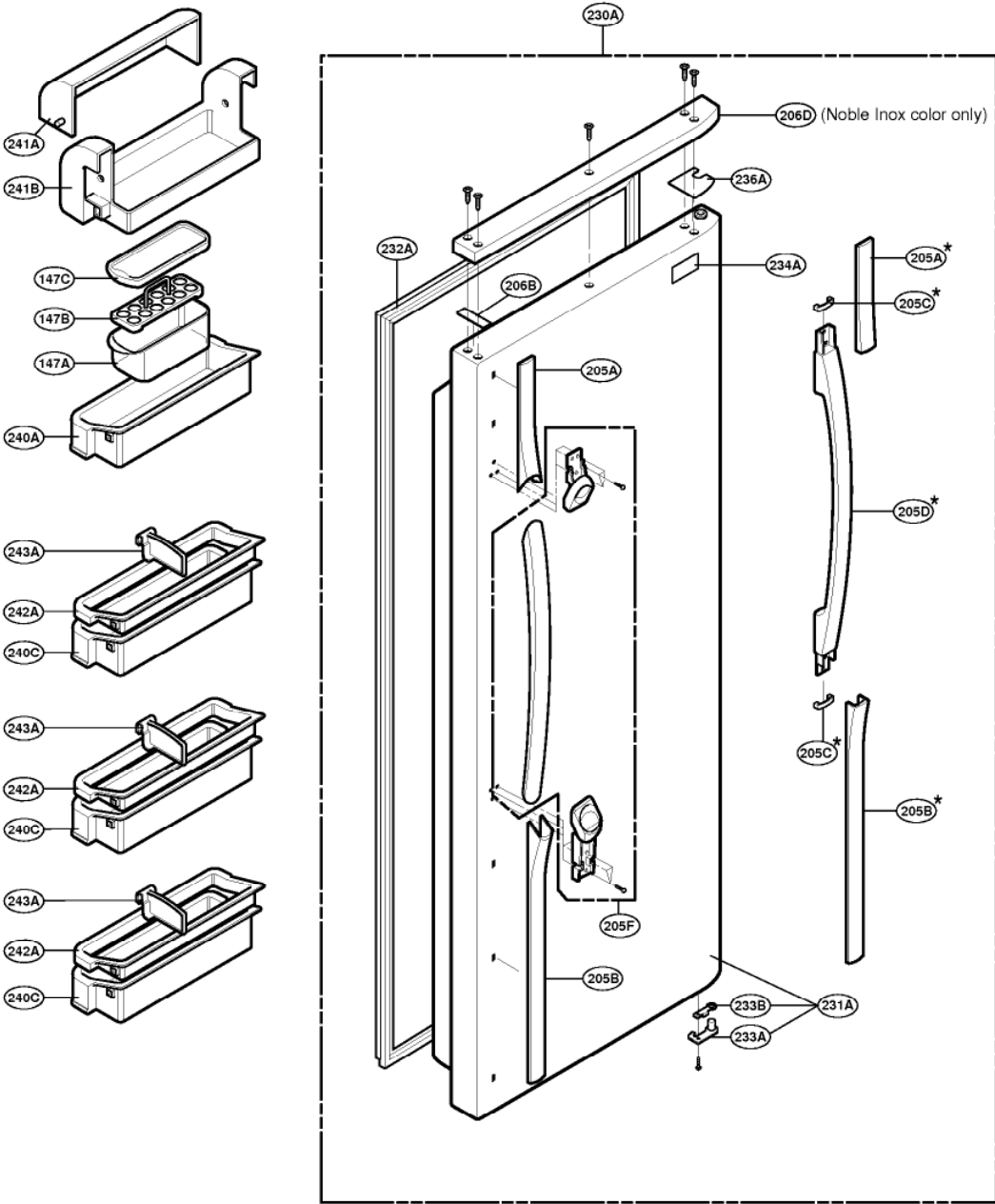
Ref No. : GR-P267 / GR-C267

REFRIGERATOR DOOR PART



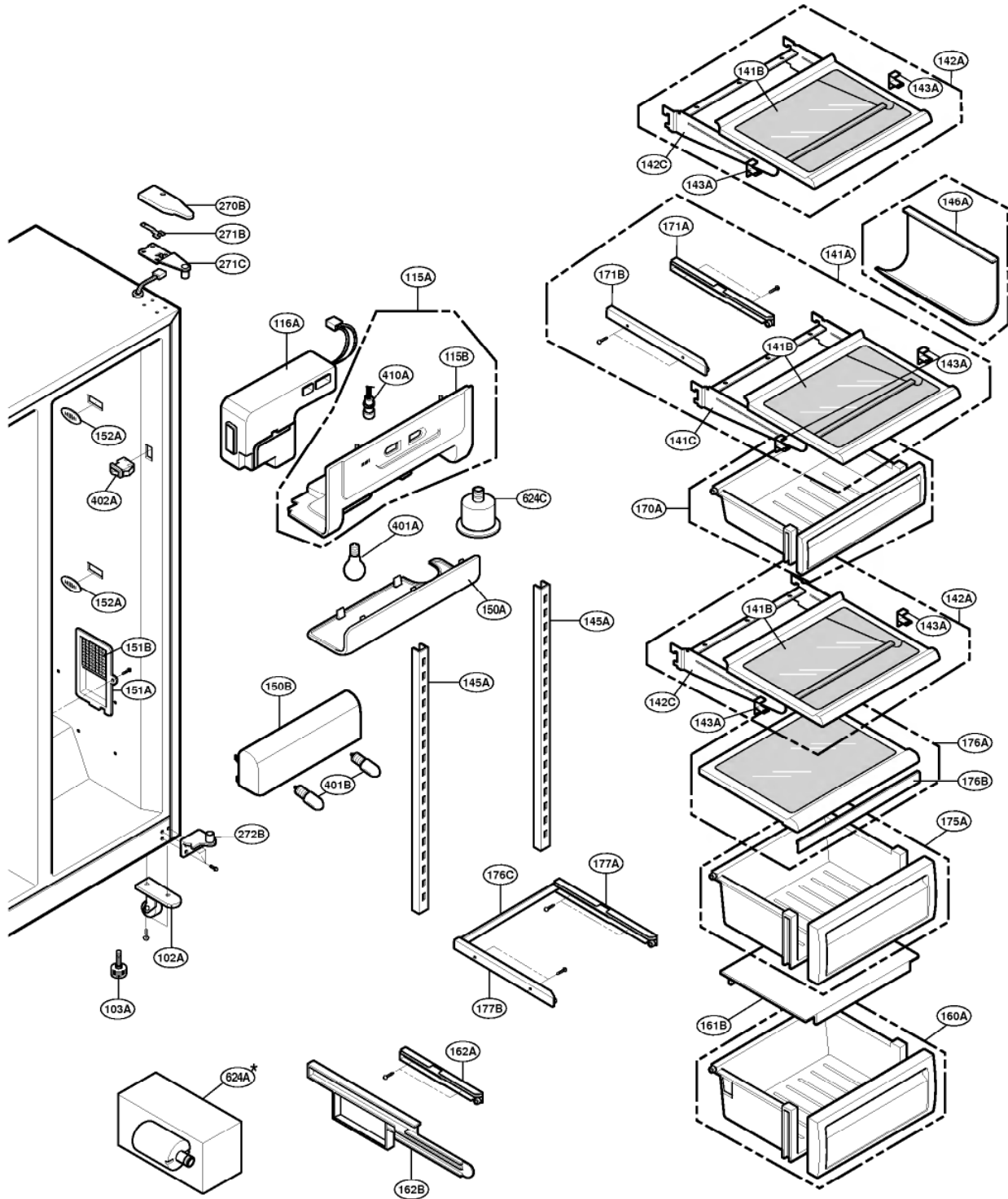
EXPLODED VIEW

Ref No. : GR-C267 / GR-B267
 REFRIGERATOR DOOR PART



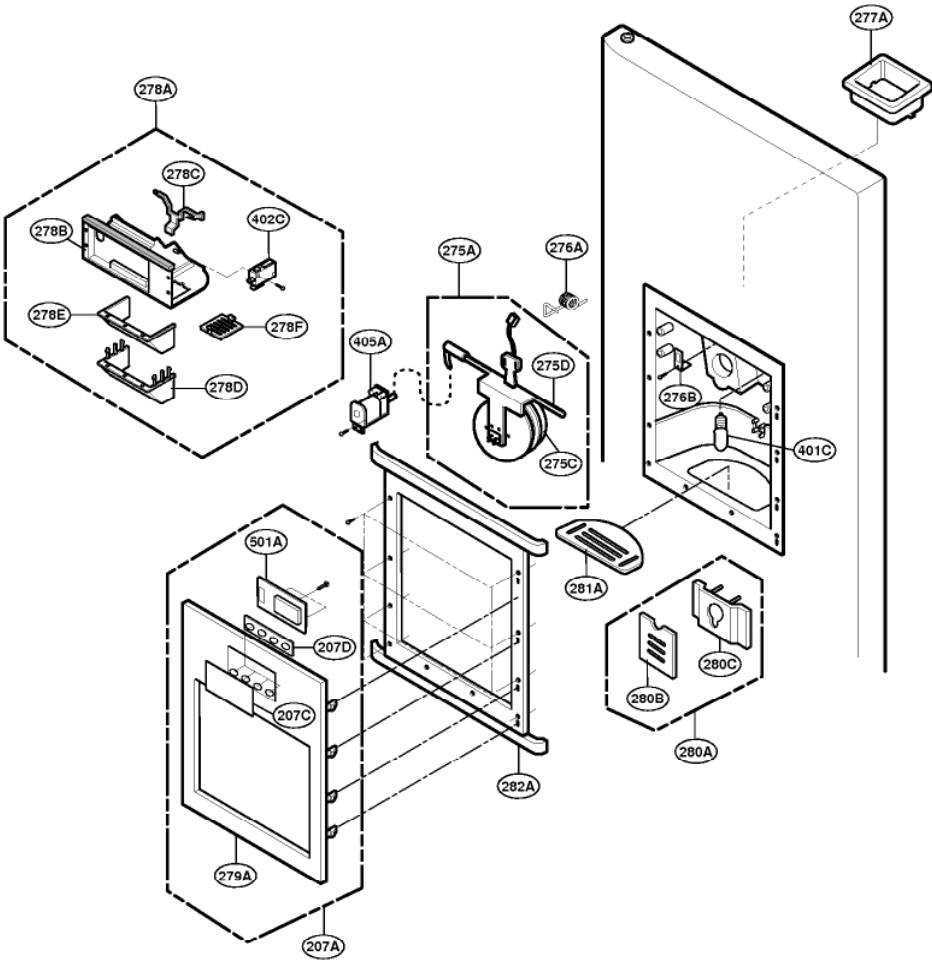
EXPLODED VIEW

REFRIGERATOR COMPARTMENT



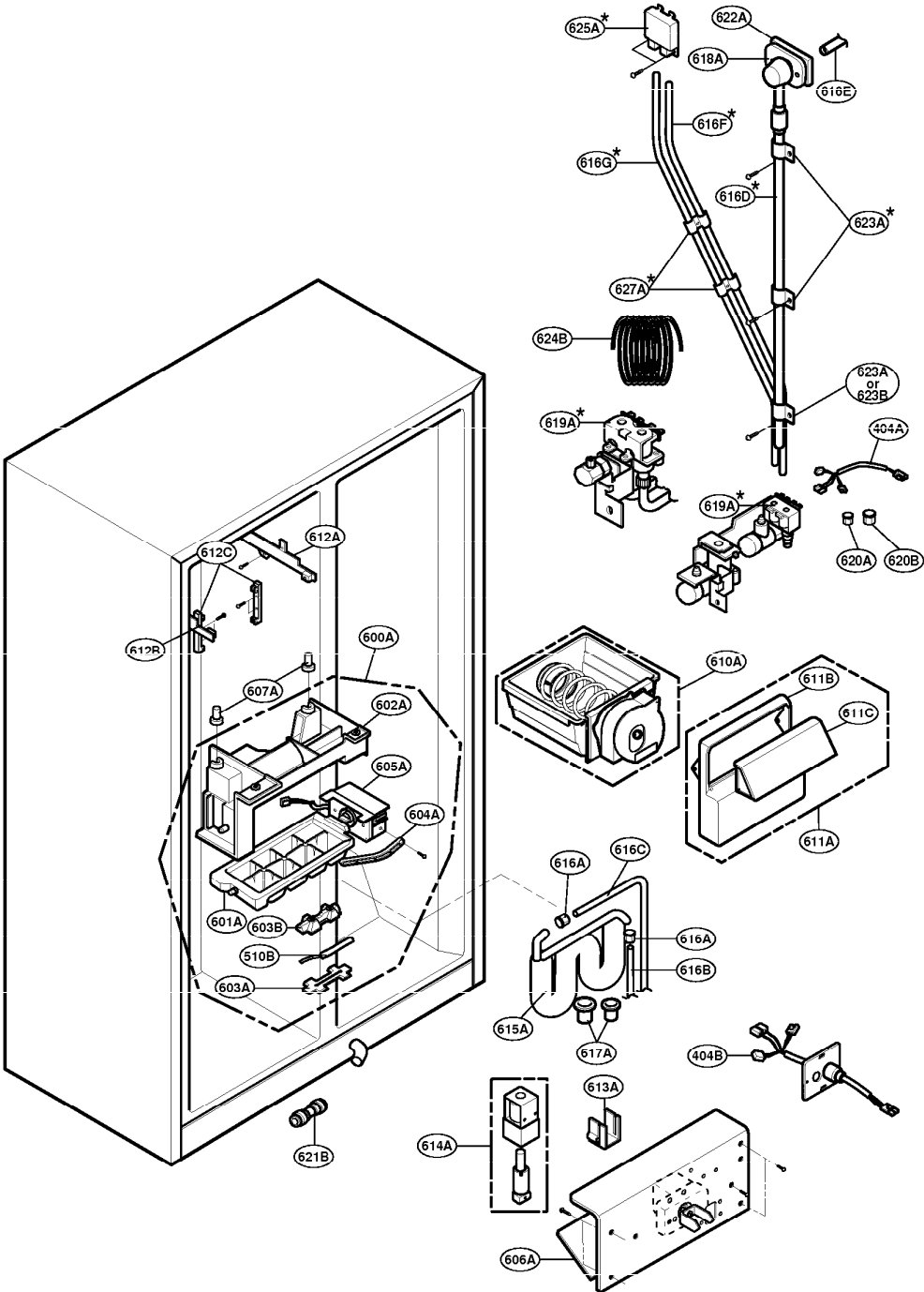
EXPLODED VIEW

DISPENSER PART



EXPLODED VIEW

ICE & WATER PART



EXPLODED VIEW

MACHINE COMPARTMENT

