

# PARTS LIST

## SAFETY PRECAUTION

Parts identified by the  $\triangle$  symbol are critical for safety. Replace only with specified part numbers.

## BEWARE OF BOGUS PARTS

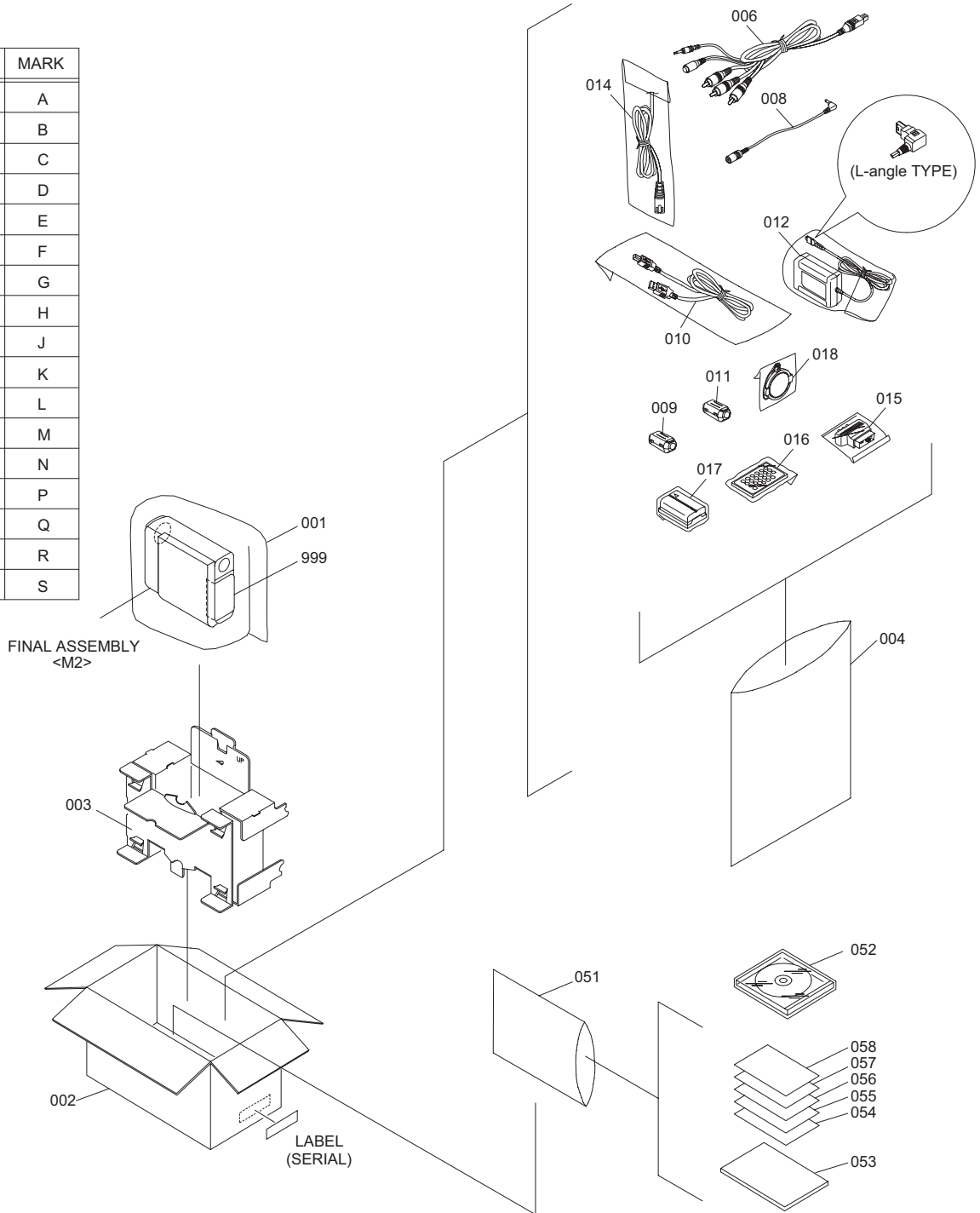
Parts that do not meet specifications may cause trouble in regard to safety and performance. We recommend that genuine JVC parts be used.

### 1. EXPLODED VIEW

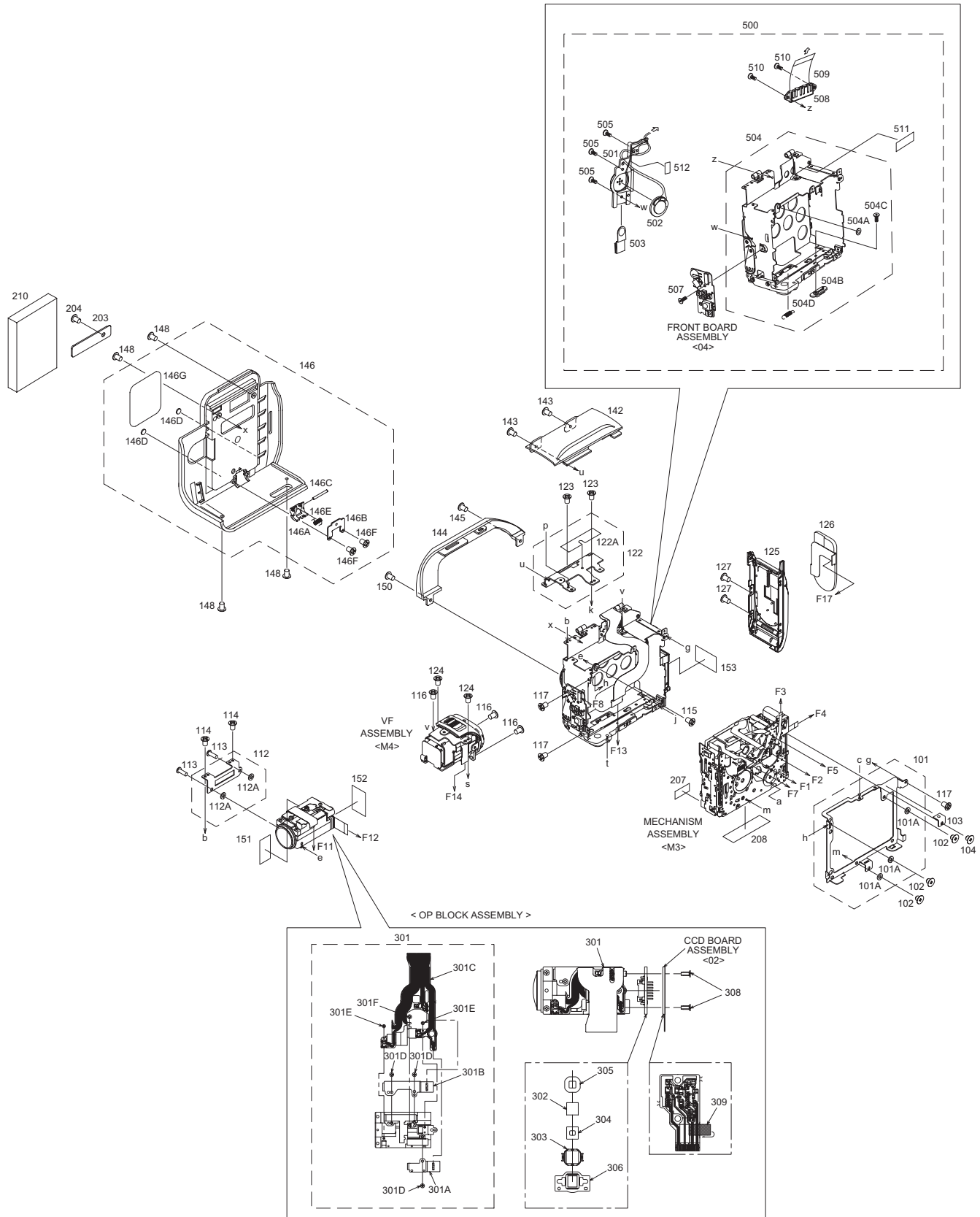
#### 1.1 PACKING AND ACCESSORY ASSEMBLY <M1>

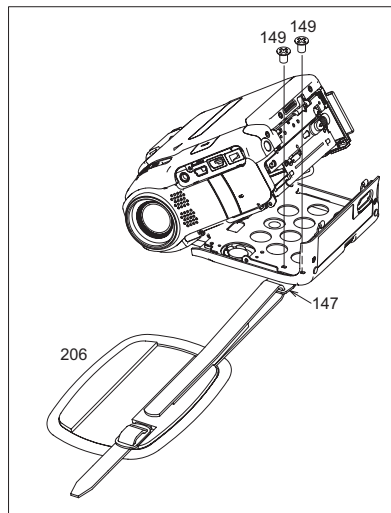
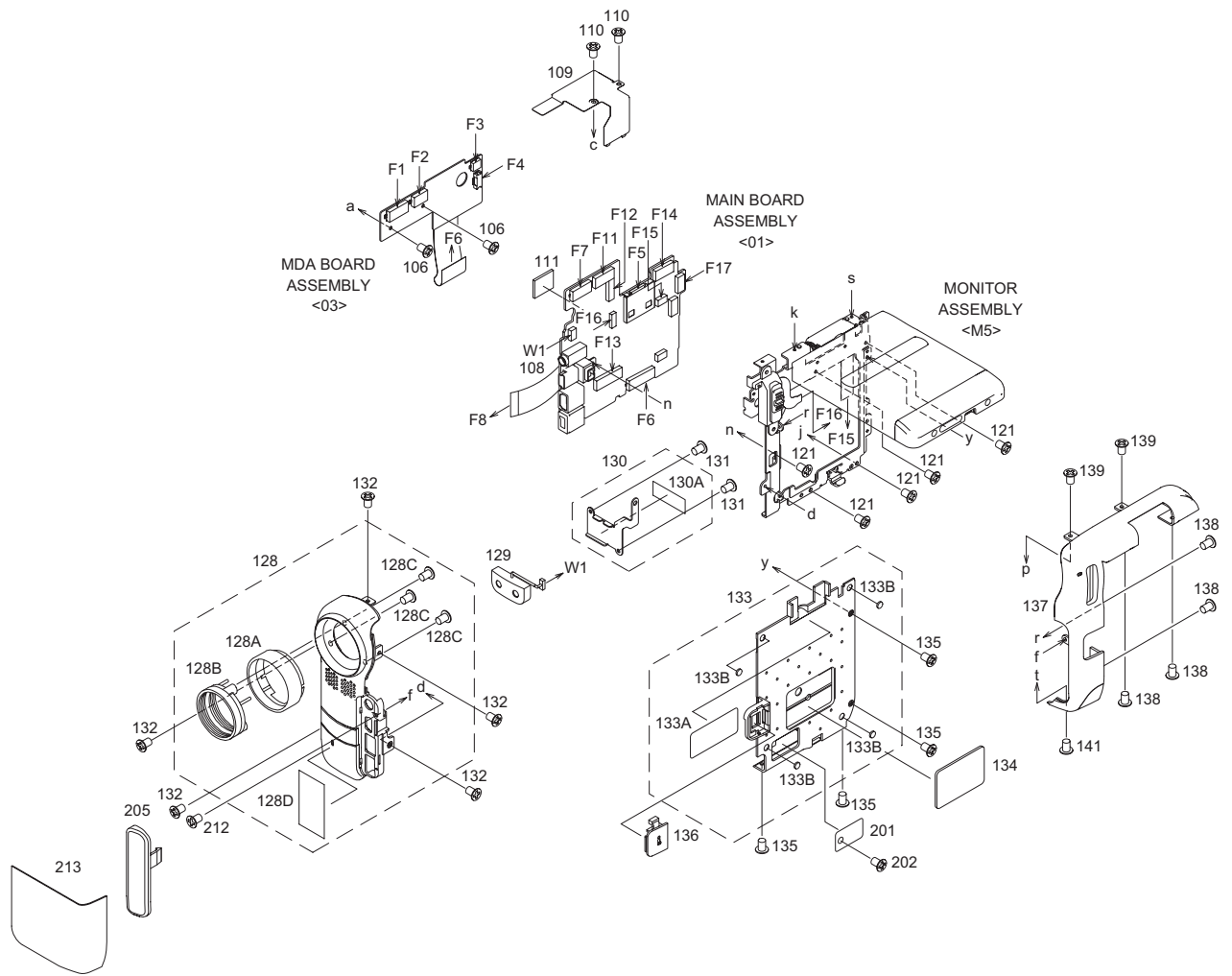
The instruction manual to be provided with this product will differ according to the destination.

MODEL	MARK
GR-DX27EK	A
GR-DX27EX	B
GR-DX27EY	C
GR-DX27EZ	D
GR-DX28EK	E
GR-DX28EX	F
GR-DX28EZ	G
GR-DX37EK	H
GR-DX37ER	J
GR-DX37EX	K
GR-DX37EY	L
GR-DX37EZ	M
GR-DX48EX	N
GR-DX57EK	P
GR-DX57EX	Q
GR-DX57EY	R
GR-DX57EZ	S

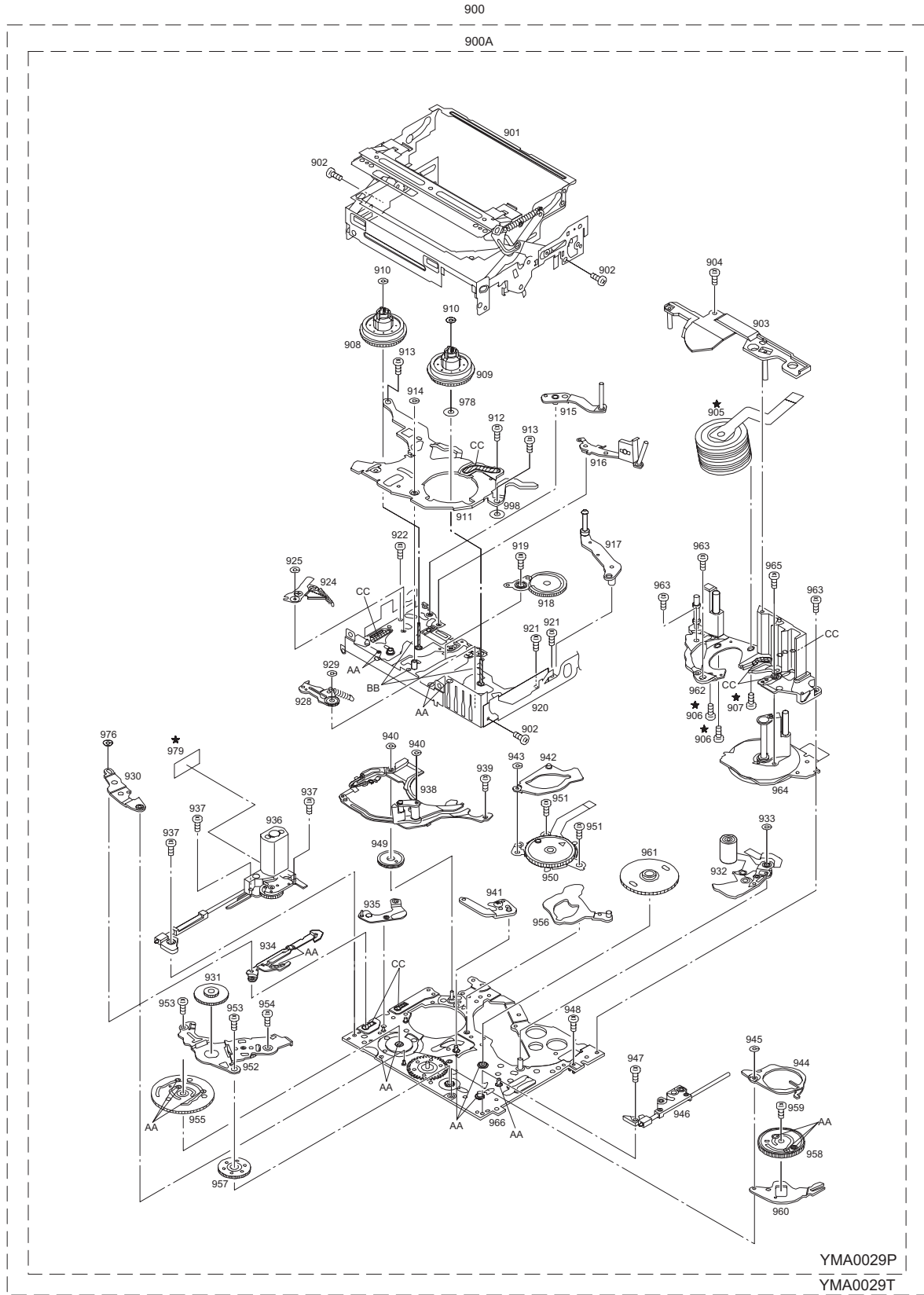


## 1.2 FINAL ASSEMBLY <M2>





### 1.3 MECHANISM ASSEMBLY <M3>



YMA0029P

YMA0029T

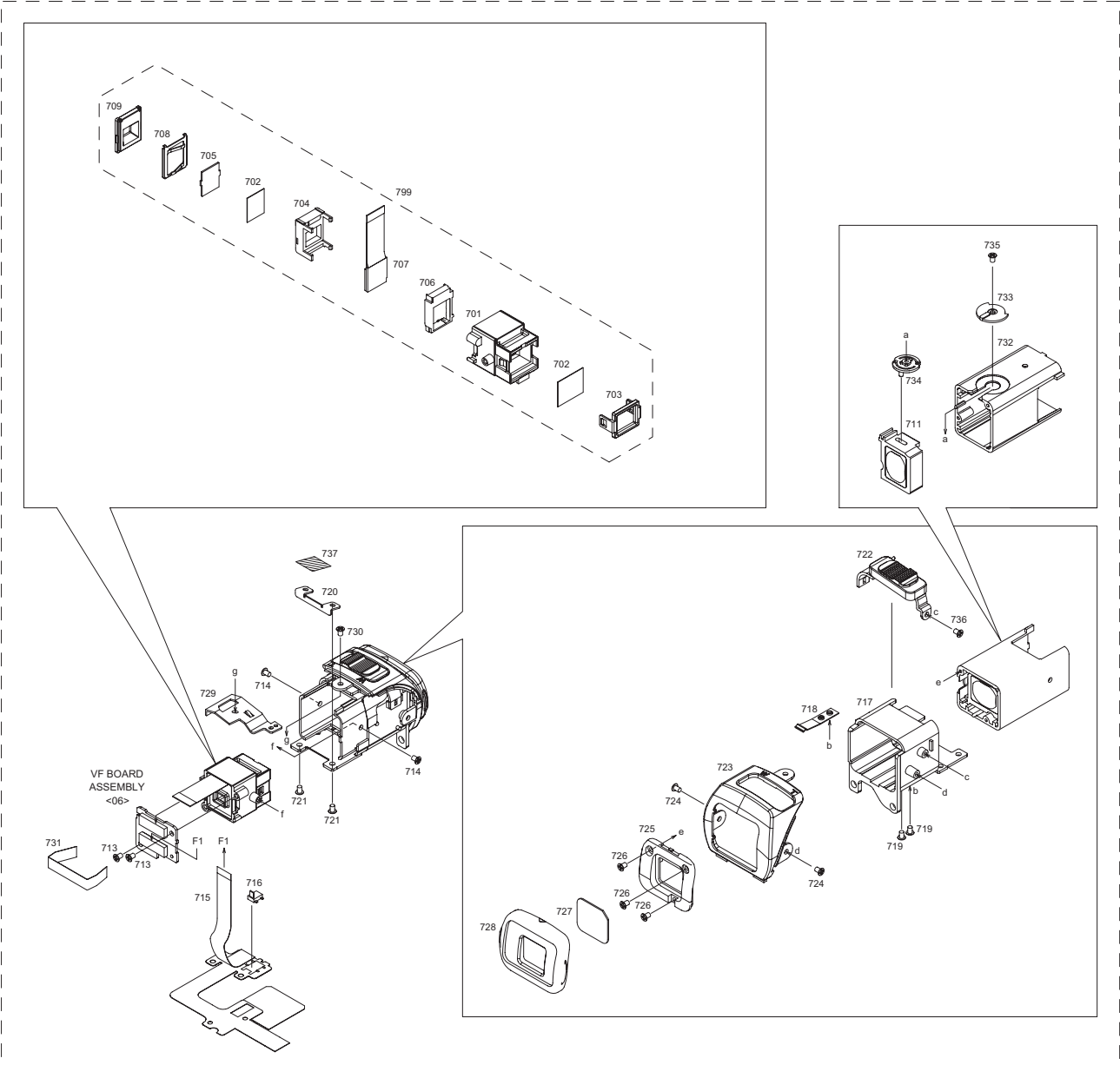
Classification	Part No.	Symbol in drawing
Grease	KYODO-SH-JB	AA
Oil	YTU94027	BB
Grease (HANARL)	RX-410R	CC

NOTE1: The section marked in AA, BB and CC indicate lubrication and greasing areas.

NOTE2: Mark ★ is not contained in 900A.

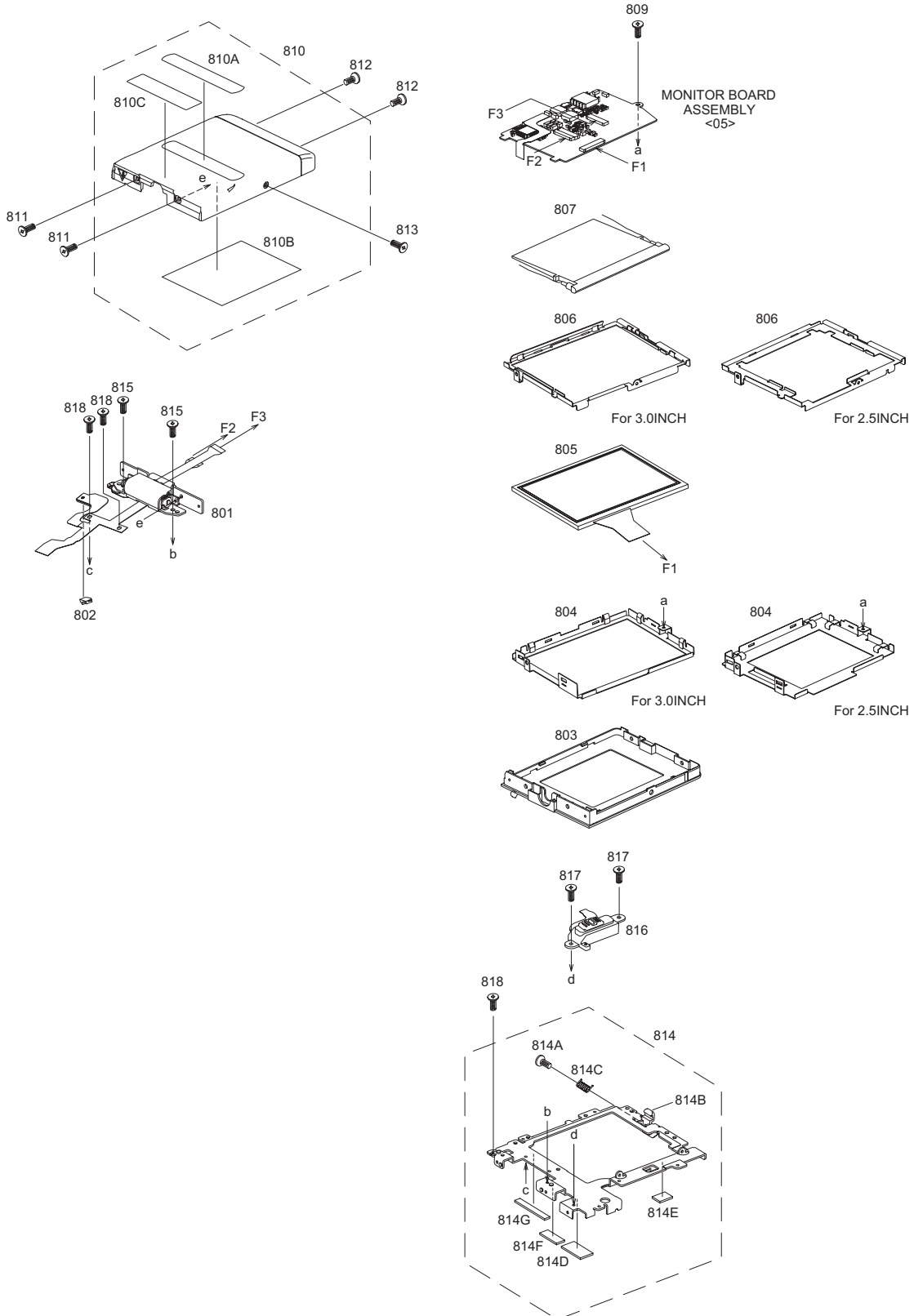
# 1.4 VF(COLOR) ASSEMBLY <M4>

700



# 1.5 MONITOR ASSEMBLY <M5>

800



MODEL	MARK	MODEL	MARK	MODEL	MARK	MODEL	MARK
GR-DX27EK	A	GR-DX28EK	E	GR-DX37ER	J	GR-DX48EX	N
GR-DX27EX	B	GR-DX28EX	F	GR-DX37EX	K	GR-DX57EK	P
GR-DX27EY	C	GR-DX28EZ	G	GR-DX37EY	L	GR-DX57EX	Q
GR-DX27EZ	D	GR-DX37EK	H	GR-DX37EZ	M	GR-DX57EY	R
						GR-DX57EZ	S

## 2. PARTS LIST

### PACKING AND ACCESSORY ASSEMBLY <M1>

△ Symbol No.	Part No.	Part Name	Description	Local
001	LY30023-003A	POLY BAG		
002	LY33819-002A	PACKING CASE	JVM F,G,H,K,L,M,N,P,Q,R,S	
002	LY33819-004A	PACKING CASE	JVM A,B,C,D	
002	LY33819-007A	PACKING CASE	JVM E,H	
003	LY21227-001B	CUSHION		
004	QPA02503505P	POLY BAG	25cm x 35cm	
006	QAM0542-001	MULTI CABLE	MULTI	
008	QAM0572-001	AUDIO CABLE	MIC	
009	QQR0917-002	CORE FILTER	MIC 2T	
010	QAM0538-001	USB CABLE	USB E,F,G,H,K,L,M,N,P,Q,R,S	
011	QQR0491-002	FERRITE CORE	USB 1T E,F,G,H,K,L,M,N,P,Q,R,S	
△ 012	LY21104-012A	AC ADAPTER	L-ANGLE TYPE AP-V14E	
△ 012	or LY21153-003A	AC ADAPTER	L-ANGLE TYPE AP-V15E	
△ 014	QMPP210-190-JR	POWER CORD(EK)	BS PULG 1.9m BLACK A,E,H,P	
△ 014	QMPL270-190-JR	POWER CORD(EK)	CEE PULG 1.9m BLACK B,C,D,F,G,H,K,L,M,N,P,Q,R,S	
015	QAM0302-001	ADAPTOR PLUG	PERI-RCAS	
016	LY21186-002A	REMOTE CONTROL UNIT	RM-V720U	
△ 017	LY32203-003A	BATTERY PACK ASSY	BN-V107U-S	
018	LY33772-001D	HOOD CAP ASSY		
051	QPA02003506	POLY BAG	DOCUMENT 20cm x 35cm B,C,D,F,G,H,K,L,M,N,P,Q,R,S	
051	YQM30061-3	POLY BAG	DOCUMENT A,E,H,P	
052	LY32210-064B	CD ROM ASSY	E,F,H,K,N,P,Q	
052	LY32210-067B	CD ROM ASSY	G,J,L,M,R,S	
△ 053	LYT1246-001A	INST BOOK(EN)	(ENGLISH) A,E,H,P	
△ 053	LYT1246-002A	INST BOOK(GE)	(GERMAN) B,C,F,K,L,N,Q,R	
△ 053	LYT1246-003A	INST BOOK(FR)	(FRENCH) B,F,K,N,Q	
△ 053	LYT1246-004A	INST BOOK(DU)	(DUTCH) B,F,K,N,Q	
△ 053	LYT1246-005A	INST BOOK(SP)	(SPANISH) B,F,K,N,Q	
△ 053	LYT1246-006A	INST BOOK(IT)	(ITALIAN) B,F,K,N,Q	
△ 053	LYT1246-007A	INST BOOK(DA)	(DANISH) C,L,R	
△ 053	LYT1246-008A	INST BOOK(FI)	(FINN) C,L,R	
△ 053	LYT1246-009A	INST BOOK(SW)	(SWEDISH) C,L,R	
△ 053	LYT1246-010A	INST BOOK(NO)	(NORWEGIAN) C,L,R	
△ 053	LYT1246-011A	INST BOOK(RU)	(RUSSIAN) D,G,J,M,S	
△ 053	LYT1246-012A	INST BOOK(CZ)	(CZECH) D,G,M,S	
△ 053	LYT1246-013A	INST BOOK(PO)	(POLISH) D,G,M,S	
△ 053	LYT1246-014A	INST BOOK(HU)	(HUNGARIAN) D,G,M,S	
△ 053	LYT1246-015A	INST BOOK(PT)	(PORTUGUESE) B,F,K,N,Q	
054	LYT1254-001A	INST BOOK(SOFT.EN)	(SOFT.ENGLISH) E,H,P	
054	LYT1254-002A	INST BOOK(SOFT.GE)	(SOFT.GERMAN) F,K,L,N,Q,R	
054	LYT1254-003A	INST BOOK(SOFT.FR)	(SOFT.FRENCH) F,K,N,Q	
054	LYT1254-004A	INST BOOK(SOFT.DU)	(SOFT.DUTCH) F,K,N,Q	
054	LYT1254-005A	INST BOOK(SOFT.SP)	(SOFT.SPANISH) F,K,N,Q	
054	LYT1254-006A	INST BOOK(SOFT.IT)	(SOFT.ITALIAN) F,K,N,Q	
054	LYT1254-007A	INST BOOK(SOFT.DA)	(SOFT.DANISH) L,R	
054	LYT1254-008A	INST BOOK(SOFT.FI)	(SOFT.FINN) L,R	
054	LYT1254-009A	INST BOOK(SOFT.SW)	(SOFT.SWEDISH) L,R	
054	LYT1254-010A	INST BOOK(SOFT.NO)	(SOFT.NORWEGIAN) L,R	
054	LYT1254-011A	INST BOOK(SOFT.RU)	(SOFT.RUSSIAN) G,J,M,S	
054	LYT1254-018A	INST BOOK(SOFT.PT)	(SOFT.PORTUGUESE) F,K,N,Q	
055	-----	WARRANTY CARD	B,C,D,F,G,H,K,L,M,N,P,Q,R,S	
056	LYT0194-001B	Q.CARD	A,E,H,P	
057	YU30878	REGIST. CARD	E,H,P	
058	BT-54008-6	GUARANTY CARD	A,E,H,P	
999	LY44670-001A	SHEET		

### FINAL ASSEMBLY <M2>

△ Symbol No.	Part No.	Part Name	Description	Local
101	LY34147-001A	BKT(MECHA)ASSY		
101A	LY42796-001A	BUSH	(x3)	
102	LY30032-002A	SPECIAL SCREW	MECHA-BKT(x3)	
103	LY34174-001A	BKT(PRE-REC)		
104	LY30031-015A	SPECIAL SCREW	BKTP/R-MEC	
106	LY30031-015A	SPECIAL SCREW	MDAPWB-MEC(x2)	
108	WJT0137-001B	E-CARD WIRE	FRONT-MAIN	
109	LY34061-001A	SHIELD COVER		
110	LY30031-041A	SPECIAL SCREW	SH.P/R-M.B(x2)	
111	LY30034-054A	SPACER(A)	SENSOR FPC	
112	LY33959-001A	BRACKET(OP)ASSY		
112A	LY42796-003A	BUSH	(x2)	

△ Symbol No.	Part No.	Part Name	Description	Local
113	LY30032-007A	SPECIAL SCREW	OP-OP BKT(x2)	
114	LY30031-016A	SPECIAL SCREW	OP/BKT-ARM(x2)	
115	LY30032-007A	SPECIAL SCREW	ARM-OP	
116	LY30031-016A	SPECIAL SCREW	VF-ARM(x3)	
117	LY30031-016A	SPECIAL SCREW	M.BKT-ARM(x3)	
121	LY30031-016A	SPECIAL SCREW	FRMUP-ARM(x5)	
122	LY34230-001A	BKT(TOP)ASSY	JVM	
122A	LY44634-001A	SPACER	JVM	
123	LY30031-016A	SPECIAL SCREW	BKTT1-ARM(x2)	
124	LY30031-016A	SPECIAL SCREW	BKTT2-ARM(x2)	
125	LY33900-001E	REAR COVER ASSY(N-SD)		
126	LY33787-001C	CAMERA OPE UNIT		
127	LY30031-016A	SPECIAL SCREW	REAR-ARM(x2)	
128	LY21122-001A	FRONT COVER ASSY	JVM N	
128	LY21122-001G	FRONT COVER ASSY	JVM F,G,H,K,L,M,N,P,Q,R,S	
128	LY21122-004G	FRONT COVER ASSY	JVM A,B,C,D	
128	LY21122-005F	FRONT COVER ASSY	JVM E,H	
128A	LY33763-001A	RING		
128B	LY33764-001B	HOOD		
128C	LY30031-039A	SPECIAL SCREW	(x3)	
128D	LY30034-077A	SPACER(A)		
129	LY33770-001B	MIC ASSY		
130	LY44631-001A	BKT(MIC) ASSY	JVM	
130A	LY30034-058A	SPACER(A)	JVM	
131	LY30031-031A	SPECIAL SCREW	HOLDER-FRT(x2)	
132	LY30031-016A	SPECIAL SCREW	FRONT-ARM(x5)	
△ 133	LY33901-001F	UPPER CASE ASSY		
133A	LY44602-001B	SHEET(CAUTION)		
133B	LY42350-001A	FOOT	(x4)	
134	LY34171-001A	PLATE(NON S.OPE)		
135	LY30031-016A	SPECIAL SCREW	UPPR-FRMUP(x4)	
136	LY33905-001C	COVER(DV)ASSY		
137	LY33776-001F	SIDE COVER(L)ASSY		
138	LY30031-016A	SPECIAL SCREW	SCOVL-FRM(x4)	
139	LY30031-016A	SPECIAL SCREW	SCOVL-BKTT(x2)	
141	LY30031-0E7A	SPECIAL SCREW	SCOVL-FRMU	
142	LY21127-001B	TOP COVER	F,G,H,K,L,M,N,P,Q,R,S	
142	LY21127-003B	TOP COVER	A,B,C,D,E,H	
143	LY30031-016A	SPECIAL SCREW	TPCOV-BKTT(x2)	
144	LY21124-001B	SIDE COVER(R)		
145	LY30031-027A	SPECIAL SCREW	SCOVR-ARM	
△ 146	LY33778-001F	CASSETTE COVER ASSY		
146A	LY33779-001B	KNOB(B.LOCK)		
146B	LY33780-001B	HOLDER(B.LOCK)		
146C	LY44442-001A	SPRING SHAFT		
146D	LY42350-001A	FOOT	(x2)	
146E	LY44600-001B	TORSION SPRING		
146F	LY30031-002A	SPECIAL SCREW	HOLDER-RCA(x2)	
△ 146G	LY34169-001A	LABEL(C.COVER)		
147	LY33782-001A	HOOK(F)		
148	LY30031-016A	SPECIAL SCREW	C.COV-ARM(x4)	
149	LY30031-016A	SPECIAL SCREW	HOOK-ARM(x2)	
150	LY30031-016A	SPECIAL SCREW	SCOVR-ARMF	
151	LY30034-044A	SPACER(A)	OP FPC	
152	LY44619-001A	SPACER	CCD PWB	
153	LY44626-001A	SHEET(N-SD)	ARMAY REAR	
201	LY44560-001A	COVER(JIG CON)		
202	LY30031-016A	SPECIAL SCREW	COVJIG-FRM	
203	LY34157-001B	COVER(ADJ)		
204	LY30031-016A	SPECIAL SCREW	COVADJ-ARM	
205	LY33907-001C	JACK COVER ASSY		
205	LY33907-002C	JACK COVER ASSY	E,F,G,H,K,L,M,N,P,Q,R,S	
206	LY21225-001B	GRIP BELT ASSY	A,B,C,D	
207	LY40699-002A	LABEL(PUSH)		
208	LY32001-004A	LABEL(HOUSING)		
210	LY34218-001B	DUMMY BATTERY		
212	LY30031-023A	SPECIAL SCREW	SCOVR-FRONT	
213	LY30034-060A	SPACER(A)	F-WINDOW	
301	J3H-101A	OP BLOCK ASSY		
301A	LY44455-001A	J3H FOCUS MOTOR		
301B	LY44456-001A	J3H ZOOM MOTOR		
301C	LY44457-001B	J3H IRIS		
301D	QYSPSGU1430ZA	TAP SCREW	(x3)	
301E	LY44596-001A	SPECIAL SCREW	(x2)	
301F	LY44613-001A	SPECIAL SCREW		
302	LY44458-001A	OP LPF		
303	LY33816-001A	LPF HOLDER		

MODEL	MARK	MODEL	MARK	MODEL	MARK	MODEL	MARK
GR-DX27EK	A	GR-DX28EK	E	GR-DX37ER	J	GR-DX48EX	N
GR-DX27EX	B	GR-DX28EX	F	GR-DX37EX	K	GR-DX57EK	P
GR-DX27EY	C	GR-DX28EZ	G	GR-DX37EY	L	GR-DX57EX	Q
GR-DX27EZ	D	GR-DX37EK	H	GR-DX37EZ	M	GR-DX57EY	R
						GR-DX57EZ	S

Symbol No.	Part No.	Part Name	Description	Local
304	LY44461-001A	MASK		
305	LY44462-001B	SHEET		
306	LYH30547-001A	CCD BASE ASSY		
308	LY44482-001B	SPECIAL SCREW	(x2)	
309	LY30034-043A	SPACER(A)	CCD FPC	
500	LU04D301C	LOWER UNIT ASSY	JAPAN	
501	LY33962-001D	COVER(SPK)		
502	QAS0196-001	SPEAKER		
503	LY33967-001B	BKT(SPEAKER)		
504	LY21190-001D	ARM ASSY		
504A	LY42796-003A	BUSH		
504B	LY34175-001A	KNOB(LOCK)		
504C	QYSPSGT1730ZA	TAP SCREW	KNOB	
504D	LY30001-023A	TENSION SPRING		
505	LY30031-016A	SPECIAL SCREW	COV(SPK-AR)(x3)	
507	LY30031-016A	SPECIAL SCREW	FRONTP-ARM	
508	LY32575-002A	BATTERY TERNIMAL		
509	QAL0549-001	FPC	BATT FPC	
510	LY30031-016A	SPECIAL SCREW	BATT.TE-AR(x2)	
511	LY30034-031A	SPACER(A)		
512	LY30034-056A	SPACER(A)		

Symbol No.	Part No.	Part Name	Description	Local
952	LY32860-001D	GEAR COVER ASSY		
953	YQ43893	MINI SCREW	(x2)	
954	YQ43893-4	MINI SCREW		
955	LY43676-001A	MAIN CAM ASSY		
956	LY41941-001B	SLIDE ARM ASSY		
957	LY43678-001A	CONNECT GEAR 2		
958	LY43679-001C	SUB CAM ASSY		
959	LY42120-001A	MINI SCREW		
960	LY43692-001A	CONTROL ARM ASSY		
961	LY32859-001A	REEL GEAR 1		
962	LY31508-004D	DRUM BASE ASSY		
963	LY43675-006B	MINI SCREW	(x3)	
964	QAR0142-001	CAPSTAN MOTOR		
965	YQ43893	MINI SCREW		
966	LY10367-001L	MAIN DECK ASSY		
976	YQ44246	SLIT WASHER		
978	LY44609-001A	WASHER		
979	LY44502-001A	SPACER	JVM/BJVC	
998	QYWFM163013	WASHER	6.3mm/21.1mm x 0.01mm	

### VF(COLOR) ASSEMBLY <M4>

### MECHANISM ASSEMBLY <M3>

Symbol No.	Part No.	Part Name	Description	Local
900	YMA0029T	MECHA(A)ASSY	Y/E Y07442	
900A	YMA0029P	MECHA(A)ASSY	JVM/BJVC	
901	LY32870-001Q	CASSETTEHOUSING ASSY		
902	YQ43893-8	MINI SCREW	(x3)	
903	LYH30420-001A	UPPER BASE ASSY		
904	QYSPSPU1425M	SCREW	M1.4 x 2.5mm	
905	YDV2102B	DRUM ASSY	M/B SET022	
906	LY44533-001A	DAMPER SCREW ASSY	JVM/BJVC(x2)	
907	LY44533-002A	DAMPER SCREW ASSY	JVM/BJVC	
908	LY31538-001F	REEL DISK ASSY		
909	LY31538-002H	REEL DISK ASSY		
910	YQ44246	SLIT WASHER	(x2)	
911	LY10372-001H	REEL COVER ASSY		
912	LY42120-002A	MINI SCREW		
913	LY41945-003A	MINI SCREW	(x2)	
914	YQ44246	SLIT WASHER		
915	LY43725-001F	TENSION ARM ASSY		
916	LYH40269-001A	SLANT POLE ARM ASSY		
917	LY43731-001F	TAKE UP ARM ASSY		
918	LY31531-001E	SWING ARM ASSY		
919	YQ43893-9	MINI SCREW		
920	LYH30424-001A	SLIDE DECK FINAL ASSY		
921	YQ43893	MINI SCREW	(x2)	
922	LY43023-001A	MINI SCREW		
924	LYH30419-001A	PAD ARM ASSY		
925	YQ44246	SLIT WASHER		
928	LYH40270-001A	TAKE UP BRAKE ASSY		
929	YQ44246	SLIT WASHER		
930	LY43684-001B	TENSION CONTROL LEVER ASSY		
931	LY32861-001B	CENTER GEAR		
932	LY31516-001H	PINCH ROLLER ARM FINAL ASSY		
933	YQ44246	SLIT WASHER		
934	LY43681-001A	TENSION CONTROL PLATE ASSY		
935	LY43687-001A	BRAKE CONTROL LEVER ASSY		
936	LYH30421-001A	MOTOR BRACKET ASSY		
937	YQ43893	MINI SCREW	(x3)	
938	LYH30422-001A	GUIDE RAIL ASSY		
939	YQ43893	MINI SCREW		
940	YQ44246	SLIT WASHER	(x2)	
941	LY32843-001F	SLIDE LEVER2 ASSY		
942	LY43690-001A	LOADING PLATE ASSY		
943	YQ44246	SLIT WASHER		
944	LY32858-001B	EJECT LEVER		
945	YQ44246	SLIT WASHER		
946	LYH40271-001A	BASE R ASSY		
947	YQ43893	MINI SCREW		
948	LY41945-001B	MINI SCREW		
949	LY43665-001A	MODE GEAR		
950	QSW0876-005	ROTARY ENCODER		
951	YQ43893	MINI SCREW	(x2)	

Symbol No.	Part No.	Part Name	Description	Local
700	VU04D301E	VF UNIT ASSY	JAPAN	
701	LY21135-001E	FRAME(VF)		
702	LY44417-001A	SHEET(POLA)	(x2)	
703	LY33735-001A	STOPPER(POLA)		
704	LY33738-001A	HOLDER(SHEET)		
705	LY44419-001A	SHEET(DIFF)		
706	LY33736-001B	GUIDE(LCD)		
707	QLD0313-001	LCD MODULE		
708	LY33746-001A	SPRING(LCD)		
709	LY33739-001A	CASE(B.LIGHT)		
711	LY33799-001C	LENS HOLDER ASSY		
713	LY30031-031A	SPECIAL SCREW	VF PWB-FRM(x2)	
714	LY30031-031A	SPECIAL SCREW	CASEVF-FRM(x2)	
715	QAL0550-002	FPC	VF FPC	
716	NSW0200-001X	LEVER SWITCH	TEZUKE	
717	LY21137-001C	GUIDE(OUTER)		
718	LY33804-001B	PLATE(CLICK)		
719	LY30031-005A	SPECIAL SCREW	OUTER-PLT(x2)	
720	LY33805-001A	BRACKET		
721	LY30031-0E1A	SPECIAL SCREW	BKT-FPCPWB(x2)	
722	LY33803-001C	ZOOM UNIT		
723	LY21172-001D	VF COVER		
724	LY30031-002A	SPECIAL SCREW	COV.-OUTER(x2)	
725	LY21171-001C	HOLDER(EYE)		
726	LY30031-046A	SPECIAL SCREW	HOLDR-CASE(x3)	
727	LY44548-001A	SHEET(LENS)		
728	LY21136-001D	EYE CUP		
729	LY33988-001A	BRACKET(TOP2)		
730	LY30031-0E1A	SPECIAL SCREW	COVVF-BKT2	
731	LY30034-035B	SPACER(A)	VF PWB	
732	LY21134-001E	CASE(VF)		
733	LY33801-001C	LEVER(1)		
734	LY33802-001B	LEVER(2)		
735	LY30031-026A	SPECIAL SCREW		
736	LY30031-002A	SPECIAL SCREW	SW-OUTER	
737	LY30034-051A	SPACER(A)	SW PWB	
799	LY34201-001D	FRAME ASSY		

### MONITOR ASSEMBLY <M5>

Symbol No.	Part No.	Part Name	Description	Local
△ 800	MU04D32502E	MONITOR UNIT ASSY	JAPAN	ABCDEFGHIJKLM
△ 800	MU04D33002E	MONITOR UNIT ASSY	JAPAN	N,P,Q,R,S
801	LY33795-001C	HINGE UNIT ASSY		
802	NSW0217-001X	DETECT SWITCH		
803	LY21191-001D	MONITOR CASE(2.5)		ABCDEFGHIJKLM
803	LY21130-001D	MONITOR CASE(3)		N,P,Q,R,S
804	LY33793-001A	LCD BKT 3 (1)		N,P,Q,R,S



MODEL	MARK	MODEL	MARK	MODEL	MARK	MODEL	MARK
GR-DX27EK	A	GR-DX28EK	E	GR-DX37ER	J	GR-DX48EX	N
GR-DX27EX	B	GR-DX28EX	F	GR-DX37EX	K	GR-DX57EK	P
GR-DX27EY	C	GR-DX28EZ	G	GR-DX37EY	L	GR-DX57EY	R
GR-DX27EZ	D	GR-DX37EK	H	GR-DX37EZ	M	GR-DX57EZ	S

△ Symbol No.	Part No.	Part Name	Description	Local
804	LY33902-001A	LCD BKT 2.5(1)		ABCDEFHJKL
805	QLD0314-001	LCD MODULE		ABCDEFHJKL
805	QLD0315-001	LCD MODULE		N,P,Q,R,S
806	LY33794-001A	LCD BKT 3 (2)		N,P,Q,R,S
806	LY33903-001A	LCD BKT 2.5(2)		ABCDEFHJKL
807	QLL0157-001	BACK LIGHT		ABCDEFHJKL
807	QLL0158-001	BACK LIGHT		N,P,Q,R,S
809	LY30031-041A	SPECIAL SCREW	MONPWB-BKT	
△ 810	LY21131-002E	MONITOR COVER ASSY		ABCDEFHJKL
△ 810	LY21132-002E	MONITOR COVER ASSY		N,P,Q,R,S
810A	LY33790-001B	MARK		
810B	LY30034-069A	SPACER(A)		
810C	LY44620-001B	STICKER		
811	LY30031-013A	SPECIAL SCREW	MCOV-HINGE(x2)	
812	LY30031-0E6A	SPECIAL SCREW	MCOV2-BKT(x2)	
813	LY30031-0E5A	SPECIAL SCREW	MCOV1-FRM	
814	LY33977-001C	FRAME(UP)ASSY		
814A	LY30032-006A	SPECIAL SCREW		
814B	LY33975-001A	KNOB(MONI.LOCK)		
814C	LY44517-001B	TORSION SPRING		
814D	LY30034-049A	SPACER(A)		
814E	LY30034-057A	SPACER(A)		
814F	LY30034-065A	SPACER(A)		
814G	LY30034-070A	SPACER(A)		
815	LY30031-009A	SPECIAL SCREW	HING-FRMUP(x2)	
816	LY21128-001C	POWER(OPE)UNIT		
817	LY30031-016A	SPECIAL SCREW	FRMUP-POWE(x2)	
818	LY30031-005A	SPECIAL SCREW	FPC-FRMUP(x3)	

△ Symbol No.	Part No.	Part Name	Description	Local
IC4902	NJM3414AV-X	IC		
IC4951	AN41902A	IC		
IC5001	JCY0185	IC		TG/VDR
IC6001	XC6202P33M-X	IC		
IC6002	R1224N102G-X	IC		
IC6101	FA3698F	IC		SW_REG IC
IC8701	PIX-MC10	IC		100PIN0.5P EFGHJKLMNPQRS
IC8702	HY57V161610DTC7	IC		SDRAM16M EFGHJKLMNPQRS
Q1001	DTA114EM-X	DIGI TRANSISTOR		
Q1002	EMD3-W	PAIR TRANSISTOR		
Q1003	EMD3-W	PAIR TRANSISTOR		
Q1004	EMD3-W	PAIR TRANSISTOR		
Q1005	DTC143XM-X	DIGI TRANSISTOR		
Q1007	2SC5658/QRS/-X	TRANSISTOR		
Q1008	DTC124EM-X	DIGI TRANSISTOR		
Q1009	2SJ347-X	MOS FET		
Q1010	DTC144EM-X	DIGI TRANSISTOR		
Q1011	DTC143EM-X	DIGI TRANSISTOR		
Q1012	EMD3-W	PAIR TRANSISTOR		
Q2201	DTC144EE-X	DIGI TRANSISTOR		
Q2201	or UN9213J-X	DIGI TRANSISTOR		
Q2401	2SC5658/QRS/-X	TRANSISTOR		
Q2403	2SC5658/QRS/-X	TRANSISTOR		
Q2601	2SA2029/QRS/-X	TRANSISTOR		
Q2801	EMX1-W	TRANSISTOR		
Q3001	2SC5658/QRS/-X	TRANSISTOR		
Q3003	2SC5658/QRS/-X	TRANSISTOR		
Q3701	EMT1-W	PAIR TRANSISTOR		
Q3702	EMZ1-W	PAIR TRANSISTOR		
Q3704	2SA2029/QRS/-X	TRANSISTOR		
Q3705	EMT1-W	PAIR TRANSISTOR		
Q3706	DTC114EE-X	DIGI TRANSISTOR		HJKLMPQRS
Q3706	or UN9211J-X	DIGI TRANSISTOR		HJKLMPQRS
Q3707	DTC114EE-X	DIGI TRANSISTOR		HJKLMPQRS
Q3707	or UN9211J-X	DIGI TRANSISTOR		HJKLMPQRS
Q3731	2SC5658/QRS/-X	TRANSISTOR		HJKLMPQRS
Q3733	EMZ1-W	PAIR TRANSISTOR		HJKLMPQRS
Q3734	2SC5658/QRS/-X	TRANSISTOR		HJKLMPQRS
Q3735	EMZ1-W	PAIR TRANSISTOR		HJKLMPQRS
Q4701	2SC4655J/BC/-X	TRANSISTOR		
Q4951	DTC114EM-X	DIGI TRANSISTOR		
Q6001	QS6U24-W	MOS FET		
Q6201	QS6U24-W	MOS FET		
Q6202	2SA1577/RS/-X	TRANSISTOR		
Q6203	QS6U24-W	MOS FET		
Q6204	QS6U24-W	MOS FET		
Q6205	2SA1577/RS/-X	TRANSISTOR		
Q6206	DTC124TM-X	DIGI TRANSISTOR		
Q6207	QS6U24-W	MOS FET		
Q6208	QS6U24-W	MOS FET		
Q6209	SSM3J14T-X	MOS FET		
Q6210	2SC5658/QRS/-X	TRANSISTOR		
Q6211	2SC5658/QRS/-X	TRANSISTOR		
Q6212	EMZ1-W	PAIR TRANSISTOR		
Q6213	SSM3J14T-X	MOS FET		
Q6214	2SK3019-X	MOS FET		
Q6701	SSM3J14T-X	MOS FET		
D1001	DA221-X	DIODE ARRAY		
D1001	or MA133-X	SI DIODE		
D3001	EC2C01C-TR-X	VARI CAP DIODE		
D3002	EC2C01C-TR-X	VARI CAP DIODE		
D3003	EC2C01C-TR-X	VARI CAP DIODE		
D3004	RB551V-30-X	SB DIODE		
D4901	RB751V-40-X	SB DIODE		
D5001	1SS355-X	SI DIODE		
D5001	or MA111-X	SI DIODE		
△ D6001	RB706D-40-X	SB DIODE		
△ D6002	RB715F-X	SB DIODE		
D6201	RB480Y-W	SB DIODE		
D6202	EDZ4.7B-X	Z DIODE		
D6203	RB480Y-W	SB DIODE		
D6701	DG1M3-X	SB DIODE		
D6702	DG1M3-X	SB DIODE		
C1001	NDCA1HJ-8R0W	C CAPACITOR		8pF 50V J
C1002	NDCA1HJ-100W	C CAPACITOR		10pF 50V J

### MAIN BOARD ASSEMBLY <01>

△ Symbol No.	Part No.	Part Name	Description	Local
PW1	YB10456C-02	MAIN BOARD ASSY		A,B,C,D
PW1	YB10457B-02	MAIN BOARD ASSY		E,F,G,N
PW1	YB10457A-02	MAIN BOARD ASSY		HJKLMPQRS
IC1001	MN103S33NJY	IC(MICRO C ROM)	MASK	ABCDEF,FGN
IC1001	or MN103SF33NY4JY	IC(MICRO C ROM)	FLASH	ABCDEF,FGN
IC1001	MN103S33NJX	IC(MICRO C ROM)	MASK	HJKLMPQRS
IC1001	or MN103SF33NY4JX	IC(MICRO C ROM)	FLASH	HJKLMPQRS
IC1002	MB90097PFV153-X	IC(MICRO C ROM)	MB90099	
IC1003	SN74AHC1G00K-X	IC		
IC1003	or SN74AHC1G00DC-X	IC		
IC1003	or 74HC1G00GW-X	IC		
IC1003	or MC74HC1G00DF-X	IC		
IC1004	NJU7108F3-X	IC		
IC1004	or TC75S56FU-X	IC		
IC1005	M95320-WDW6-X	IC		
IC1006	RS5C314-X	IC		
IC1007	IC-PST3423U-X	IC		
IC1007	or S-80823CNNB-X	IC		
IC1701	BA10358FVM-W	IC	REELAMP5V	
IC1702	NJM2407R-W	IC	REELSMT	
IC2101	BU7800FV-X	IC		EFGHJKLMNPQRS
IC2201	AK4564VQ	IC	48P0.5	
IC3001	JCY0152	IC	JCY0152	
IC3006	JCY0177-W	IC		
IC3201	JCP8075	IC		
IC3501	JCY0132	IC		
IC3502	SN74AHC1G04K-X	IC		
IC3502	or SN74AHC1G04DC-X	IC(DIGITAL)		
IC3701	BH7612FV-X	IC		
IC3731	MM1504XN-X	IC		HJKLMPQRS
IC4201	HD49340NP-X	IC	CDS/AD QFN	
IC4202	MM1613AN-X	IC	REG 3V	
IC4301	JCY0200	IC	CAMERA DSP	
IC4302	R1160N151B-X	IC	REG 1.5V	
IC4701	NJM2143R-X	IC		
IC4701	or TA75W01FU-X	IC		
IC4702	NJM2143R-X	IC		
IC4702	or TA75W01FU-X	IC		
IC4703	NJM2143R-X	IC		
IC4703	or TA75W01FU-X	IC		
IC4704	NJM3414AV-X	IC		
IC4901	JCY0207	IC		

MODEL	MARK	MODEL	MARK	MODEL	MARK	MODEL	MARK
GR-DX27EK	A	GR-DX28EK	E	GR-DX37ER	J	GR-DX48EX	N
GR-DX27EX	B	GR-DX28EX	F	GR-DX37EX	K	GR-DX57EK	P
GR-DX27EY	C	GR-DX28EZ	G	GR-DX37EY	L	GR-DX57EX	Q
GR-DX27EZ	D	GR-DX37EK	H	GR-DX37EZ	M	GR-DX57EY	R
						GR-DX57EZ	S

△ Symbol No.	Part No.	Part Name	Description	Local	△ Symbol No.	Part No.	Part Name	Description	Local
C1003	NCFA1AZ-104W	C CAPACITOR	0.1uF 10V Z		C2604	NCBA1CK-223W	C CAPACITOR	0.022uF 16V K	
C1004	NCFA1AZ-104W	C CAPACITOR	0.1uF 10V Z		C2605	NCBA1EK-472W	C CAPACITOR	4700pF 25V K	
C1005	NCFA1AZ-104W	C CAPACITOR	0.1uF 10V Z		C2606	NCBA1EK-472W	C CAPACITOR	4700pF 25V K	
C1007	NCFA1AZ-104W	C CAPACITOR	0.1uF 10V Z		C2609	NCBA1HK-102W	C CAPACITOR	1000pF 50V K	
C1008	NCFA1AZ-104W	C CAPACITOR	0.1uF 10V Z		C2610	NCBA1HK-102W	C CAPACITOR	1000pF 50V K	
C1009	NCFA1AZ-104W	C CAPACITOR	0.1uF 10V Z		C2611	NCBA1AK-104W	C CAPACITOR	0.1uF 10V K	
C1010	NCFA1AZ-104W	C CAPACITOR	0.1uF 10V Z		C2612	NCBA1AK-104W	C CAPACITOR	0.1uF 10V K	
C1011	NCFA1AZ-104W	C CAPACITOR	0.1uF 10V Z		C2613	NCJA0JK-105W-A	C CAPACITOR	1uF 6.3V K	
C1012	NCFA1AZ-104W	C CAPACITOR	0.1uF 10V Z		C2614	NDCA1HJ-101W	C CAPACITOR	100pF 50V J	
C1013	NCFA1AZ-104W	C CAPACITOR	0.1uF 10V Z		C2615	NDCA1HJ-101W	C CAPACITOR	100pF 50V J	
C1014	NCFA1AZ-104W	C CAPACITOR	0.1uF 10V Z		C2616	NCBA1CK-103W	C CAPACITOR	0.01uF 16V K	
C1015	NCFA1AZ-104W	C CAPACITOR	0.1uF 10V Z		C2617	NCBA1CK-103W	C CAPACITOR	0.01uF 16V K	
C1019	NCFA1HZ-103W	C CAPACITOR	0.01uF 50V Z		C2618	NCBA1AK-104W	C CAPACITOR	0.1uF 10V K	
C1020	NCBA1EK-682W	C CAPACITOR	6800pF 25V K		C2619	NCBA1AK-104W	C CAPACITOR	0.1uF 10V K	
C1021	NCBA1EK-682W	C CAPACITOR	6800pF 25V K		C2621	NCBA1HK-102W	C CAPACITOR	1000pF 50V K	
C1022	NCFA1HZ-103W	C CAPACITOR	0.01uF 50V Z		C2622	NCBA1HK-102W	C CAPACITOR	1000pF 50V K	
C1024	NCFA1HZ-103W	C CAPACITOR	0.01uF 50V Z		C2651	NCBA1HK-102W	C CAPACITOR	1000pF 50V K	
C1025	NCFA1HZ-103W	C CAPACITOR	0.01uF 50V Z		C2652	NCBA1HK-102W	C CAPACITOR	1000pF 50V K	
C1029	NCFA1HZ-103W	C CAPACITOR	0.01uF 50V Z		C2655	NCBA1CK-473W	C CAPACITOR	0.047uF 16V K	
C1030	NBZ0015-106X	TA E CAPACITOR	10uF 6.3V M		C2656	NCBA1CK-473W	C CAPACITOR	0.047uF 16V K	
C1032	NCFA1HZ-103W	C CAPACITOR	0.01uF 50V Z		C2801	NCBA1CK-103W	C CAPACITOR	0.01uF 16V K	
C1035	NCFA1HZ-103W	C CAPACITOR	0.01uF 50V Z		C2802	NCBA1CK-103W	C CAPACITOR	0.01uF 16V K	
C1036	NCFA1AZ-104W	C CAPACITOR	0.1uF 10V Z		C3001	NBZ0015-106X	TA E CAPACITOR	10uF 6.3V M	
C1037	NCFA1HZ-103W	C CAPACITOR	0.01uF 50V Z		C3003	NCB30JK-105X	C CAPACITOR	1uF 6.3V K	
C1038	NCFA1HZ-103W	C CAPACITOR	0.01uF 50V Z		C3005	NBZ0015-106X	TA E CAPACITOR	10uF 6.3V M	
C1039	NCFA1HZ-103W	C CAPACITOR	0.01uF 50V Z		C3006	NCB30JK-105X	C CAPACITOR	1uF 6.3V K	
C1040	NDCA1HJ-100W	C CAPACITOR	10pF 50V J		C3007	NBE20GM-476X	TA E CAPACITOR	47uF 4V M	
C1041	NCFA1AZ-104W	C CAPACITOR	0.1uF 10V Z		C3008	NBZ0015-106X	TA E CAPACITOR	10uF 6.3V M	
C1042	NCFA1AZ-104W	C CAPACITOR	0.1uF 10V Z		C3009	NCB30JK-105X	C CAPACITOR	1uF 6.3V K	
C1043	NCFA1AZ-104W	C CAPACITOR	0.1uF 10V Z		C3011	NCBA1AK-104W	C CAPACITOR	0.1uF 10V K	
C1044	NDCA1HJ-470W	C CAPACITOR	47pF 50V J		C3012	NCBA1AK-104W	C CAPACITOR	0.1uF 10V K	
C1045	NDCA1HJ-470W	C CAPACITOR	47pF 50V J		C3013	NCBA1CK-103W	C CAPACITOR	0.01uF 16V K	
C1046	NCF31AZ-105X	C CAPACITOR	1uF 10V Z		C3015	NCBA1CK-103W	C CAPACITOR	0.01uF 16V K	
C1047	NCFA1HZ-103W	C CAPACITOR	0.01uF 50V Z		C3016	NCBA1AK-104W	C CAPACITOR	0.1uF 10V K	
C1048	NCFA1HZ-103W	C CAPACITOR	0.01uF 50V Z		C3017	NCBA1AK-104W	C CAPACITOR	0.1uF 10V K	
C1049	NCFA1HZ-103W	C CAPACITOR	0.01uF 50V Z		C3020	NCBA1AK-104W	C CAPACITOR	0.1uF 10V K	
C1050	NCFA1HZ-103W	C CAPACITOR	0.01uF 50V Z		C3021	NCBA1AK-104W	C CAPACITOR	0.1uF 10V K	
C1051	NCB31CK-223X	C CAPACITOR	0.022uF 16V K		C3022	NCBA1AK-104W	C CAPACITOR	0.1uF 10V K	
C1052	NCB31CK-223X	C CAPACITOR	0.022uF 16V K		C3023	NDCA1HJ-330W	C CAPACITOR	33pF 50V J	
C1053	NCB31CK-223X	C CAPACITOR	0.022uF 16V K		C3024	NCBA1HK-102W	C CAPACITOR	1000pF 50V K	
C1054	NCB31CK-223X	C CAPACITOR	0.022uF 16V K		C3025	NCBA1AK-104W	C CAPACITOR	0.1uF 10V K	
C1055	NCFA1AZ-104W	C CAPACITOR	0.1uF 10V Z		C3026	NCJA0JK-105W-A	C CAPACITOR	1uF 6.3V K	
C1064	NBE20JM-226X	TA E CAPACITOR	22uF 6.3V M		C3027	NCBA1EK-472W	C CAPACITOR	4700pF 25V K	
C1701	NCBA1AK-104W	C CAPACITOR	0.1uF 10V K		C3028	NDCA1EJ-271W	C CAPACITOR	270pF 25V J	
C1702	NCBA1AK-104W	C CAPACITOR	0.1uF 10V K		C3029	NCBA1CK-103W	C CAPACITOR	0.01uF 16V K	
C1703	NBE20JM-106X	TA E CAPACITOR	10uF 6.3V M		C3030	NCBA1AK-104W	C CAPACITOR	0.1uF 10V K	
C2101	NCJA0JK-105W-A	C CAPACITOR	1uF 6.3V K	EF9GJKLJMNOPRS	C3031	NCBA1AK-104W	C CAPACITOR	0.1uF 10V K	
C2102	NCJA0JK-105W-A	C CAPACITOR	1uF 6.3V K	EF9GJKLJMNOPRS	C3032	NCBA1HK-102W	C CAPACITOR	1000pF 50V K	
C2103	NCBA1HK-222W	C CAPACITOR	2200pF 50V K	EF9GJKLJMNOPRS	C3033	NDCA1HJ-150W	C CAPACITOR	15pF 50V J	
C2104	NCBA1HK-222W	C CAPACITOR	2200pF 50V K	EF9GJKLJMNOPRS	C3036	NDCA1HJ-8R0W	C CAPACITOR	8pF 50V J	
C2105	NBZ0015-106X	TA E CAPACITOR	10uF 6.3V M	EF9GJKLJMNOPRS	C3037	NDCA1HJ-8R0W	C CAPACITOR	8pF 50V J	
C2106	NCBA1AK-104W	C CAPACITOR	0.1uF 10V K	EF9GJKLJMNOPRS	C3038	NCBA1AK-104W	C CAPACITOR	0.1uF 10V K	
C2107	NCBA1AK-104W	C CAPACITOR	0.1uF 10V K	EF9GJKLJMNOPRS	C3039	NCBA1AK-104W	C CAPACITOR	0.1uF 10V K	
C2108	NBE90JM-475X	TA E CAPACITOR	4.7uF 6.3V M	EF9GJKLJMNOPRS	C3042	NCBA1CK-103W	C CAPACITOR	0.01uF 16V K	
C2201	NCBA1AK-104W	C CAPACITOR	0.1uF 10V K	EF9GJKLJMNOPRS	C3043	NCBA1CK-103W	C CAPACITOR	0.01uF 16V K	
C2202	NCJA0JK-105W-A	C CAPACITOR	1uF 6.3V K		C3044	NCBA1AK-104W	C CAPACITOR	0.1uF 10V K	
C2203	NCJA0JK-105W-A	C CAPACITOR	1uF 6.3V K		C3045	NCBA1AK-104W	C CAPACITOR	0.1uF 10V K	
C2204	NCJA0JK-105W-A	C CAPACITOR	1uF 6.3V K		C3046	NCBA1CK-103W	C CAPACITOR	0.01uF 16V K	
C2205	NCJA0JK-105W-A	C CAPACITOR	1uF 6.3V K		C3047	NCBA1AK-104W	C CAPACITOR	0.1uF 10V K	
C2209	NCJA0JK-105W-A	C CAPACITOR	1uF 6.3V K		C3048	NCBA1CK-473W	C CAPACITOR	0.047uF 16V K	
C2210	NCJA0JK-105W-A	C CAPACITOR	1uF 6.3V K		C3049	NCBA1HK-222W	C CAPACITOR	2200pF 50V K	
C2211	NCBA1AK-104W	C CAPACITOR	0.1uF 10V K	EF9GJKLJMNOPRS	C3050	NCBA1CK-103W	C CAPACITOR	0.01uF 16V K	
C2212	NCBA1AK-104W	C CAPACITOR	0.1uF 10V K	EF9GJKLJMNOPRS	C3055	NCBA1CK-103W	C CAPACITOR	0.01uF 16V K	
C2213	NCBA1AK-104W	C CAPACITOR	0.1uF 10V K		C3064	NCBA1HK-102W	C CAPACITOR	1000pF 50V K	
C2214	NCBA1AK-104W	C CAPACITOR	0.1uF 10V K		C3077	NCBA1AK-104W	C CAPACITOR	0.1uF 10V K	
C2215	NCBA1AK-104W	C CAPACITOR	0.1uF 10V K		C3078	NCB30JK-105X	C CAPACITOR	1uF 6.3V K	
C2216	NCBA1AK-104W	C CAPACITOR	0.1uF 10V K		C3079	NBZ0015-106X	TA E CAPACITOR	10uF 6.3V M	
C2217	NCBA1AK-104W	C CAPACITOR	0.1uF 10V K		C3080	NCBA1HK-102W	C CAPACITOR	1000pF 50V K	
C2218	NCBA1AK-104W	C CAPACITOR	0.1uF 10V K		C3201	NBZ0015-106X	TA E CAPACITOR	10uF 6.3V M	
C2223	NCBA1AK-104W	C CAPACITOR	0.1uF 10V K		C3202	NCB21AK-105X	C CAPACITOR	1uF 10V K	
C2224	NCBA1AK-104W	C CAPACITOR	0.1uF 10V K		C3203	NCB21AK-105X	C CAPACITOR	1uF 10V K	
C2401	NBZ0015-106X	TA E CAPACITOR	10uF 6.3V M		C3204	NBZ0015-106X	TA E CAPACITOR	10uF 6.3V M	
C2402	NBZ0015-106X	TA E CAPACITOR	10uF 6.3V M		C3205	NBE20GM-476X	TA E CAPACITOR	47uF 4V M	
C2403	NBZ0015-106X	TA E CAPACITOR	10uF 6.3V M		C3206	NCBA1CK-103W	C CAPACITOR	0.01uF 16V K	
C2404	NBZ0015-106X	TA E CAPACITOR	10uF 6.3V M		C3207	NCBA1CK-103W	C CAPACITOR	0.01uF 16V K	
C2405	NCBA1AK-104W	C CAPACITOR	0.1uF 10V K		C3208	NCBA1CK-103W	C CAPACITOR	0.01uF 16V K	
C2406	NBZ0015-106X	TA E CAPACITOR	10uF 6.3V M		C3209	NCBA1CK-103W	C CAPACITOR	0.01uF 16V K	
C2603	NCBA1CK-223W	C CAPACITOR	0.022uF 16V K		C3210	NCBA1CK-103W	C CAPACITOR	0.01uF 16V K	

MODEL	MARK	MODEL	MARK	MODEL	MARK	MODEL	MARK
GR-DX27EK	A	GR-DX28EK	E	GR-DX37ER	J	GR-DX48EX	N
GR-DX27EX	B	GR-DX28EX	F	GR-DX37EX	K	GR-DX57EK	P
GR-DX27EY	C	GR-DX28EZ	G	GR-DX37EY	L	GR-DX57EY	R
GR-DX27EZ	D	GR-DX37EK	H	GR-DX37EZ	M	GR-DX57EZ	S

△ Symbol No.	Part No.	Part Name	Description	Local	△ Symbol No.	Part No.	Part Name	Description	Local
C3211	NCBA1CK-103W	C CAPACITOR	0.01uF 16V K		C3744	NDCA1HJ-5R0W	C CAPACITOR	5pF 50V J	HJKLMPQRS
C3212	NCBA1CK-103W	C CAPACITOR	0.01uF 16V K		C3745	NDCA1HJ-330W	C CAPACITOR	33pF 50V J	HJKLMPQRS
C3213	NCBA1CK-103W	C CAPACITOR	0.01uF 16V K		C3746	NCB20JM-475X	C CAPACITOR	4.7uF 6.3V M	HJKLMPQRS
C3214	NCBA1CK-103W	C CAPACITOR	0.01uF 16V K		C3747	NCBA1CK-103W	C CAPACITOR	0.01uF 16V K	HJKLMPQRS
C3215	NCBA1CK-103W	C CAPACITOR	0.01uF 16V K		C4201	NBE20GM-476X	TA E CAPACITOR	47uF 4V M	
C3216	NCBA1AK-104W	C CAPACITOR	0.1uF 10V K		C4202	NCBA1AK-104W	C CAPACITOR	0.1uF 10V K	
C3217	NCB30JK-105X	C CAPACITOR	1uF 6.3V K		C4203	NCB30JK-105X	C CAPACITOR	1uF 6.3V K	
C3218	NCBA1AK-104W	C CAPACITOR	0.1uF 10V K		C4204	NCBA1AK-104W	C CAPACITOR	0.1uF 10V K	
C3219	NCBA1AK-104W	C CAPACITOR	0.1uF 10V K		C4205	NCBA1AK-104W	C CAPACITOR	0.1uF 10V K	
C3220	NCBA1AK-104W	C CAPACITOR	0.1uF 10V K		C4206	NCB21CK-105X	C CAPACITOR	1uF 16V K	
C3221	NCB30JK-105X	C CAPACITOR	1uF 6.3V K		C4207	NCBA1AK-104W	C CAPACITOR	0.1uF 10V K	
C3222	NCBA1AK-104W	C CAPACITOR	0.1uF 10V K		C4208	NCB30JK-105X	C CAPACITOR	1uF 6.3V K	
C3223	NCBA1AK-104W	C CAPACITOR	0.1uF 10V K		C4209	NCBA1CK-223W	C CAPACITOR	0.022uF 16V K	
C3224	NCBA1AK-104W	C CAPACITOR	0.1uF 10V K		C4210	NCBA1AK-104W	C CAPACITOR	0.1uF 10V K	
C3225	NCBA1AK-104W	C CAPACITOR	0.1uF 10V K		C4211	NCBA1AK-104W	C CAPACITOR	0.1uF 10V K	
C3226	NCBA1AK-104W	C CAPACITOR	0.1uF 10V K		C4212	NCBA1AK-104W	C CAPACITOR	0.1uF 10V K	
C3227	NCBA1CK-103W	C CAPACITOR	0.01uF 16V K		C4213	NCBA1AK-104W	C CAPACITOR	0.1uF 10V K	
C3228	NCBA1CK-103W	C CAPACITOR	0.01uF 16V K		C4214	NCBA1AK-104W	C CAPACITOR	0.1uF 10V K	
C3229	NCBA1CK-103W	C CAPACITOR	0.01uF 16V K		C4215	NCBA1AK-104W	C CAPACITOR	0.1uF 10V K	
C3230	NCBA1CK-103W	C CAPACITOR	0.01uF 16V K		C4216	NCBA1AK-104W	C CAPACITOR	0.1uF 10V K	
C3231	NCBA1CK-103W	C CAPACITOR	0.01uF 16V K		C4217	NCB30JK-105X	C CAPACITOR	1uF 6.3V K	
C3232	NCBA1CK-103W	C CAPACITOR	0.01uF 16V K		C4218	NCBA1AK-104W	C CAPACITOR	0.1uF 10V K	
C3233	NCBA1CK-103W	C CAPACITOR	0.01uF 16V K		C4219	NBE20GM-476X	TA E CAPACITOR	47uF 4V M	
C3234	NCBA1CK-103W	C CAPACITOR	0.01uF 16V K		C4301	NCBA1AK-104W	C CAPACITOR	0.1uF 10V K	
C3235	NCBA1CK-103W	C CAPACITOR	0.01uF 16V K		C4302	NCBA1AK-104W	C CAPACITOR	0.1uF 10V K	
C3236	NCBA1CK-103W	C CAPACITOR	0.01uF 16V K		C4303	NCBA1AK-104W	C CAPACITOR	0.1uF 10V K	
C3237	NCBA1CK-103W	C CAPACITOR	0.01uF 16V K		C4304	NCBA1AK-104W	C CAPACITOR	0.1uF 10V K	
C3240	NDCA1HJ-101W	C CAPACITOR	100pF 50V J	HJKLMPQRS	C4305	NCBA1AK-104W	C CAPACITOR	0.1uF 10V K	
C3501	NBZ0015-106X	TA E CAPACITOR	10uF 6.3V M		C4306	NCBA1AK-104W	C CAPACITOR	0.1uF 10V K	
C3502	NBZ0015-106X	TA E CAPACITOR	10uF 6.3V M		C4307	NCBA1AK-104W	C CAPACITOR	0.1uF 10V K	
C3503	NBZ0015-106X	TA E CAPACITOR	10uF 6.3V M		C4308	NCBA1AK-104W	C CAPACITOR	0.1uF 10V K	
C3504	NCBA1AK-473W	C CAPACITOR	0.047uF 10V K		C4309	NCBA1AK-104W	C CAPACITOR	0.1uF 10V K	
C3505	NCBA1CK-223W	C CAPACITOR	0.022uF 16V K		C4310	NCBA1AK-104W	C CAPACITOR	0.1uF 10V K	
C3506	NCJA0JK-105W-A	C CAPACITOR	1uF 6.3V K		C4311	NCBA1AK-104W	C CAPACITOR	0.1uF 10V K	
C3507	NCBA1CK-103W	C CAPACITOR	0.01uF 16V K		C4312	NCBA1AK-104W	C CAPACITOR	0.1uF 10V K	
C3508	NCBA1CK-103W	C CAPACITOR	0.01uF 16V K		C4313	NBZ0015-106X	TA E CAPACITOR	10uF 6.3V M	
C3509	NCBA1CK-103W	C CAPACITOR	0.01uF 16V K		C4314	NCBA1AK-104W	C CAPACITOR	0.1uF 10V K	
C3510	NCBA1AK-104W	C CAPACITOR	0.1uF 10V K		C4315	NBZ0015-106X	TA E CAPACITOR	10uF 6.3V M	
C3511	NCBA1CK-103W	C CAPACITOR	0.01uF 16V K		C4316	NCBA1CK-103W	C CAPACITOR	0.01uF 16V K	
C3512	NCBA1AK-104W	C CAPACITOR	0.1uF 10V K		C4317	NBZ0015-106X	TA E CAPACITOR	10uF 6.3V M	
C3513	NCBA1AK-104W	C CAPACITOR	0.1uF 10V K		C4701	NBZ0015-106X	TA E CAPACITOR	10uF 6.3V M	
C3514	NCBA1AK-473W	C CAPACITOR	0.047uF 10V K		C4702	NCFA1AZ-104W	C CAPACITOR	0.1uF 10V Z	
C3515	NCBA1AK-473W	C CAPACITOR	0.047uF 10V K		C4703	NCFA1AZ-104W	C CAPACITOR	0.1uF 10V Z	
C3516	NCBA1AK-473W	C CAPACITOR	0.047uF 10V K		C4704	NCFA1AZ-104W	C CAPACITOR	0.1uF 10V Z	
C3517	NCBA1CK-103W	C CAPACITOR	0.01uF 16V K		C4705	NCB30JK-105X	C CAPACITOR	1uF 6.3V K	
C3518	NCBA1CK-103W	C CAPACITOR	0.01uF 16V K		C4707	NCFA1AZ-104W	C CAPACITOR	0.1uF 10V Z	
C3519	NCBA1HK-102W	C CAPACITOR	1000pF 50V K		C4708	NCBA1CK-103W	C CAPACITOR	0.01uF 16V K	
C3520	NCBA1CK-103W	C CAPACITOR	0.01uF 16V K		C4709	NCFA1AZ-104W	C CAPACITOR	0.1uF 10V Z	
C3521	NCBA1AK-104W	C CAPACITOR	0.1uF 10V K		C4710	NCFA1AZ-104W	C CAPACITOR	0.1uF 10V Z	
C3522	NCB20JM-475X	C CAPACITOR	4.7uF 6.3V M		C4711	NCFA1AZ-104W	C CAPACITOR	0.1uF 10V Z	
C3523	NCBA1CK-103W	C CAPACITOR	0.01uF 16V K		C4901	NCFA1AZ-104W	C CAPACITOR	0.1uF 10V Z	
C3524	NCBA1CK-103W	C CAPACITOR	0.01uF 16V K		C4902	NBZ0015-106X	TA E CAPACITOR	10uF 6.3V M	
C3525	NCB20JM-475X	C CAPACITOR	4.7uF 6.3V M		C4903	NCFA1AZ-104W	C CAPACITOR	0.1uF 10V Z	
C3526	NCBA1CK-103W	C CAPACITOR	0.01uF 16V K		C4904	NBZ0015-106X	TA E CAPACITOR	10uF 6.3V M	
C3527	NDCA1EJ-221W	C CAPACITOR	220pF 25V J		C4905	NCFA1AZ-104W	C CAPACITOR	0.1uF 10V Z	
C3528	NCBA1CK-103W	C CAPACITOR	0.01uF 16V K		C4906	NCFA1AZ-104W	C CAPACITOR	0.1uF 10V Z	
C3701	NBZ0015-106X	TA E CAPACITOR	10uF 6.3V M		C4907	NCFA1AZ-104W	C CAPACITOR	0.1uF 10V Z	
C3706	NCJA0JK-105W-A	C CAPACITOR	1uF 6.3V K		C4908	NCFA1AZ-104W	C CAPACITOR	0.1uF 10V Z	
C3707	NCBA1CK-103W	C CAPACITOR	0.01uF 16V K		C4909	NCBA1CK-103W	C CAPACITOR	0.01uF 16V K	
C3708	NCBA1AK-104W	C CAPACITOR	0.1uF 10V K		C4911	NDCA1HJ-680W	C CAPACITOR	68pF 50V J	
C3709	NCBA1CK-103W	C CAPACITOR	0.01uF 16V K		C4912	NCFA1AZ-104W	C CAPACITOR	0.1uF 10V Z	
C3710	NBE90GM-226X	TA E CAPACITOR	22uF 4V M		C4914	NDCA1HJ-680W	C CAPACITOR	68pF 50V J	
C3711	NBE90GM-226X	TA E CAPACITOR	22uF 4V M		C4915	NDCA1HJ-121W	C CAPACITOR	120pF 50V J	
C3712	NBE20GM-107X	TA E CAPACITOR	100uF 4V M		C4916	NCFA1AZ-104W	C CAPACITOR	0.1uF 10V Z	
C3713	NBE20GM-107X	TA E CAPACITOR	100uF 4V M		C4917	NCFA1AZ-104W	C CAPACITOR	0.1uF 10V Z	
C3715	NCBA1CK-103W	C CAPACITOR	0.01uF 16V K		C4951	NCFA1AZ-104W	C CAPACITOR	0.1uF 10V Z	
C3731	NCBA1CK-103W	C CAPACITOR	0.01uF 16V K	HJKLMPQRS	C4952	NBZ0015-106X	TA E CAPACITOR	10uF 6.3V M	
C3732	NCBA1HK-102W	C CAPACITOR	1000pF 50V K	HJKLMPQRS	C4953	NCFA1AZ-104W	C CAPACITOR	0.1uF 10V Z	
C3733	NDCA1HJ-3R0W	C CAPACITOR	3pF 50V J	HJKLMPQRS	C4954	NBZ0015-106X	TA E CAPACITOR	10uF 6.3V M	
C3734	NDCA1HJ-5R0W	C CAPACITOR	5pF 50V J	HJKLMPQRS	C4955	NCFA1AZ-104W	C CAPACITOR	0.1uF 10V Z	
C3735	NDCA1HJ-330W	C CAPACITOR	33pF 50V J	HJKLMPQRS	C4956	NBZ0015-106X	TA E CAPACITOR	10uF 6.3V M	
C3736	NCBA1HK-102W	C CAPACITOR	1000pF 50V K	HJKLMPQRS	C4957	NDCA1HJ-220W	C CAPACITOR	22pF 50V J	
C3738	NCBA1CK-103W	C CAPACITOR	0.01uF 16V K	HJKLMPQRS	C4958	NDCA1HJ-220W	C CAPACITOR	22pF 50V J	
C3739	NCBA1CK-103W	C CAPACITOR	0.01uF 16V K	HJKLMPQRS	C5001	NCBA1AK-104W	C CAPACITOR	0.1uF 10V K	
C3740	NCJA0JK-105W-A	C CAPACITOR	1uF 6.3V K	HJKLMPQRS	C5002	NCBA1AK-104W	C CAPACITOR	0.1uF 10V K	
C3741	NCJA0JK-105W-A	C CAPACITOR	1uF 6.3V K	HJKLMPQRS	C5003	NCBA1AK-104W	C CAPACITOR	0.1uF 10V K	
C3742	NCBA1AK-104W	C CAPACITOR	0.1uF 10V K	HJKLMPQRS	C5004	NCBA1AK-104W	C CAPACITOR	0.1uF 10V K	
C3743	NDCA1HJ-3R0W	C CAPACITOR	3pF 50V J	HJKLMPQRS	C5005	NBE20JM-226X	TA E CAPACITOR	22uF 6.3V M	

MODEL	MARK	MODEL	MARK	MODEL	MARK	MODEL	MARK
GR-DX27EK	A	GR-DX28EK	E	GR-DX37ER	J	GR-DX48EX	N
GR-DX27EX	B	GR-DX28EX	F	GR-DX37EX	K	GR-DX57EK	P
GR-DX27EY	C	GR-DX28EZ	G	GR-DX37EY	L	GR-DX57EX	Q
GR-DX27EZ	D	GR-DX37EK	H	GR-DX37EZ	M	GR-DX57EY	R
						GR-DX57EZ	S

△ Symbol No.	Part No.	Part Name	Description	Local	△ Symbol No.	Part No.	Part Name	Description	Local
C5006	NBE20GM-476X	TA E CAPACITOR	47uF 4V M		C6701	NCB21CK-105X	C CAPACITOR	1uF 16V K	
C5007	NCBA1AK-104W	C CAPACITOR	0.1uF 10V K		C6702	NCB21CK-105X	C CAPACITOR	1uF 16V K	
C5008	NCBA1AK-104W	C CAPACITOR	0.1uF 10V K		C8701	NBE20JM-106X	TA E CAPACITOR	10uF 6.3V M	EFGHJKLNPQRS
C5009	NCBA1AK-104W	C CAPACITOR	0.1uF 10V K		C8702	NBE20JM-106X	TA E CAPACITOR	10uF 6.3V M	EFGHJKLNPQRS
C5010	NBP21VM-105X	TA E CAPACITOR	1uF 35V M		C8703	NCBA1AK-104W	C CAPACITOR	0.1uF 10V K	EFGHJKLNPQRS
C5011	NBZ0003-475X	TA E CAPACITOR	4.7uF 20V M		C8704	NCBA1AK-104W	C CAPACITOR	0.1uF 10V K	EFGHJKLNPQRS
C5012	NBE21AM-106X	TA E CAPACITOR	10uF 10V M		C8705	NCBA1AK-104W	C CAPACITOR	0.1uF 10V K	EFGHJKLNPQRS
C5013	NCB21EK-104X	C CAPACITOR	0.1uF 25V K		C8706	NCBA1AK-104W	C CAPACITOR	0.1uF 10V K	EFGHJKLNPQRS
C5014	NCBA1AK-104W	C CAPACITOR	0.1uF 10V K		C8707	NCBA1AK-104W	C CAPACITOR	0.1uF 10V K	EFGHJKLNPQRS
C5015	NCBA1AK-104W	C CAPACITOR	0.1uF 10V K		C8708	NCBA1AK-104W	C CAPACITOR	0.1uF 10V K	EFGHJKLNPQRS
C5016	NCBA1AK-104W	C CAPACITOR	0.1uF 10V K		C8709	NCBA1AK-104W	C CAPACITOR	0.1uF 10V K	EFGHJKLNPQRS
C5017	NCB21EK-104X	C CAPACITOR	0.1uF 25V K		C8710	NCBA1AK-104W	C CAPACITOR	0.1uF 10V K	EFGHJKLNPQRS
C5018	NCBA1AK-104W	C CAPACITOR	0.1uF 10V K		C8711	NCBA1AK-104W	C CAPACITOR	0.1uF 10V K	EFGHJKLNPQRS
C5019	NCBA1AK-104W	C CAPACITOR	0.1uF 10V K		C8712	NCBA1AK-104W	C CAPACITOR	0.1uF 10V K	EFGHJKLNPQRS
C5023	NBZ0015-106X	TA E CAPACITOR	10uF 6.3V M		C8715	NCBA1AK-104W	C CAPACITOR	0.1uF 10V K	EFGHJKLNPQRS
C5024	NCBA1AK-104W	C CAPACITOR	0.1uF 10V K		C8717	NCBA1AK-104W	C CAPACITOR	0.1uF 10V K	EFGHJKLNPQRS
C6001	NCB31CK-104X	C CAPACITOR	0.1uF 16V K		R1001	NRSA6AJ-105W	MG RESISTOR	1MΩ 1/16W J	
C6002	NCJA0JK-105W-A	C CAPACITOR	1uF 6.3V K		R1002	NRSA6AJ-104W	MG RESISTOR	100kΩ 1/16W J	
C6004	NCB21CK-105X	C CAPACITOR	1uF 16V K		R1003	NRSA6AJ-104W	MG RESISTOR	100kΩ 1/16W J	
C6005	NCB10JK-106X	C CAPACITOR	10uF 6.3V K		R1006	NRSA6AJ-102W	MG RESISTOR	1kΩ 1/16W J	
C6006	NCB21CK-105X	C CAPACITOR	1uF 16V K		R1007	NRSA6AJ-103W	MG RESISTOR	10kΩ 1/16W J	
C6101	NCBA1AK-104W	C CAPACITOR	0.1uF 10V K		R1008	NRSA6AJ-103W	MG RESISTOR	10kΩ 1/16W J	
C6103	NCBA1AK-104W	C CAPACITOR	0.1uF 10V K		R1009	NRSA6AJ-103W	MG RESISTOR	10kΩ 1/16W J	
C6105	NCB21CK-105X	C CAPACITOR	1uF 16V K		R1010	NRSA6AJ-102W	MG RESISTOR	1kΩ 1/16W J	
C6106	NBP41DM-106X	TA E CAPACITOR	10uF 20V M		R1011	NRSA6AJ-332W	MG RESISTOR	3.3kΩ 1/16W J	
C6107	NCB21CK-105X	C CAPACITOR	1uF 16V K		R1012	NRSA6AJ-102W	MG RESISTOR	1kΩ 1/16W J	
C6108	NCB21CK-105X	C CAPACITOR	1uF 16V K		R1013	NRSA6AJ-102W	MG RESISTOR	1kΩ 1/16W J	
C6109	NCBA1AK-104W	C CAPACITOR	0.1uF 10V K		R1014	NRSA6AJ-102W	MG RESISTOR	1kΩ 1/16W J	
C6110	NCBA1AK-104W	C CAPACITOR	0.1uF 10V K		R1015	NRSA6AJ-102W	MG RESISTOR	1kΩ 1/16W J	
C6111	NCJA0JK-105W-A	C CAPACITOR	1uF 6.3V K		R1016	NRSA6AJ-103W	MG RESISTOR	10kΩ 1/16W J	
C6112	NCJA0JK-105W-A	C CAPACITOR	1uF 6.3V K		R1017	NRSA6AJ-474W	MG RESISTOR	470kΩ 1/16W J	
C6113	NCJA0JK-105W-A	C CAPACITOR	1uF 6.3V K		R1018	NRSA6AJ-474W	MG RESISTOR	470kΩ 1/16W J	
C6114	NCJA0JK-105W-A	C CAPACITOR	1uF 6.3V K		R1019	NRSA6AJ-0R0W	MG RESISTOR	0Ω 1/16W J	
C6115	NCBA1AK-104W	C CAPACITOR	0.1uF 10V K		R1020	NRSA6AJ-104W	MG RESISTOR	100kΩ 1/16W J	
C6116	NCBA1AK-104W	C CAPACITOR	0.1uF 10V K		R1021	NRSA6AJ-332W	MG RESISTOR	3.3kΩ 1/16W J	
C6117	NCBA1AK-333W	C CAPACITOR	0.033uF 10V K		R1022	NRSA6AJ-102W	MG RESISTOR	1kΩ 1/16W J	
C6118	NCBA1HK-561W	C CAPACITOR	560pF 50V K		R1023	NRSA6AJ-102W	MG RESISTOR	1kΩ 1/16W J	
C6119	NCBA1HK-272W	C CAPACITOR	2700pF 50V K		R1024	NRSA6AJ-101W	MG RESISTOR	100Ω 1/16W J	EFGHJKLNPQRS
C6120	NCBA1HK-561W	C CAPACITOR	560pF 50V K		R1025	NRSA6AJ-101W	MG RESISTOR	100Ω 1/16W J	EFGHJKLNPQRS
C6121	NCBA1CK-223W	C CAPACITOR	0.022uF 16V K		R1027	NRSA6AJ-332W	MG RESISTOR	3.3kΩ 1/16W J	
C6122	NCBA1HK-471W	C CAPACITOR	470pF 50V K		R1030	NRSA6AJ-753W	MG RESISTOR	75kΩ 1/16W J	
C6123	NCBA1AK-104W	C CAPACITOR	0.1uF 10V K		R1031	NRSA6AJ-334W	MG RESISTOR	330kΩ 1/16W J	
C6124	NCBA1AK-104W	C CAPACITOR	0.1uF 10V K		R1032	NRSA6AJ-332W	MG RESISTOR	3.3kΩ 1/16W J	
C6125	NDCA1HJ-101W	C CAPACITOR	100pF 50V J		R1033	NRSA6AJ-332W	MG RESISTOR	3.3kΩ 1/16W J	
C6126	NCBA1AK-473W	C CAPACITOR	0.047uF 10V K		R1034	NRSA6AJ-332W	MG RESISTOR	3.3kΩ 1/16W J	
C6127	NCBA1AK-104W	C CAPACITOR	0.1uF 10V K		R1035	NRSA6AJ-102W	MG RESISTOR	1kΩ 1/16W J	
C6128	NCBA1AK-473W	C CAPACITOR	0.047uF 10V K		R1037	NRSA6AJ-561W	MG RESISTOR	560Ω 1/16W J	
C6129	NCBA1CK-103W	C CAPACITOR	0.01uF 16V K		R1038	NRSA6AJ-101W	MG RESISTOR	100Ω 1/16W J	EFGHJKLNPQRS
C6130	NCBA1CK-103W	C CAPACITOR	0.01uF 16V K		R1039	NRSA6AJ-152W	MG RESISTOR	1.5kΩ 1/16W J	
C6131	NCBA1CK-103W	C CAPACITOR	0.01uF 16V K		R1041	NRSA6AJ-682W	MG RESISTOR	6.8kΩ 1/16W J	
C6132	NCBA1CK-103W	C CAPACITOR	0.01uF 16V K		R1042	NRSA6AJ-223W	MG RESISTOR	22kΩ 1/16W J	
C6133	NCBA1HK-102W	C CAPACITOR	1000pF 50V K		R1043	NRSA6AJ-104W	MG RESISTOR	100kΩ 1/16W J	
C6134	NCB21CK-105X	C CAPACITOR	1uF 16V K		R1044	NRSA6AJ-104W	MG RESISTOR	100kΩ 1/16W J	
C6201	NCB21CK-105X	C CAPACITOR	1uF 16V K		R1045	NRSA6AJ-105W	MG RESISTOR	1MΩ 1/16W J	
C6202	NCB21CK-105X	C CAPACITOR	1uF 16V K		R1046	NRSA6AJ-104W	MG RESISTOR	100kΩ 1/16W J	
C6203	NCBA1HK-102W	C CAPACITOR	1000pF 50V K		R1047	NRSA6AJ-104W	MG RESISTOR	100kΩ 1/16W J	
C6205	NCJA0JK-105W-A	C CAPACITOR	1uF 6.3V K		R1048	NRSA6AJ-103W	MG RESISTOR	10kΩ 1/16W J	
C6206	NCB21CK-105X	C CAPACITOR	1uF 16V K		R1049	NRSA6AJ-623W	MG RESISTOR	62kΩ 1/16W J	
C6207	NCB10JK-106X	C CAPACITOR	10uF 6.3V K		R1050	NRSA6AJ-823W	MG RESISTOR	82kΩ 1/16W J	
C6208	NCBA1EK-472W	C CAPACITOR	4700pF 25V K		R1051	NRSA6AJ-473W	MG RESISTOR	47kΩ 1/16W J	
C6209	NCB21CK-105X	C CAPACITOR	1uF 16V K		R1052	NRSA6AJ-104W	MG RESISTOR	100kΩ 1/16W J	
C6210	NCB10JK-106X	C CAPACITOR	10uF 6.3V K		R1053	NRSA6AJ-222W	MG RESISTOR	2.2kΩ 1/16W J	
C6211	NCBA1HK-102W	C CAPACITOR	1000pF 50V K		R1054	NRSA6AJ-104W	MG RESISTOR	100kΩ 1/16W J	
C6212	NCB21CK-105X	C CAPACITOR	1uF 16V K		R1055	NRSA6AJ-334W	MG RESISTOR	330kΩ 1/16W J	
C6213	NCB30JK-105X	C CAPACITOR	1uF 6.3V K		R1056	NRSA6AJ-334W	MG RESISTOR	330kΩ 1/16W J	
C6214	NCBA1AK-683W	C CAPACITOR	0.068uF 10V K		R1057	NRSA6AJ-102W	MG RESISTOR	1kΩ 1/16W J	
C6215	NCB21CK-105X	C CAPACITOR	1uF 16V K		R1058	NRSA6AJ-102W	MG RESISTOR	1kΩ 1/16W J	
C6216	NCB30JK-105X	C CAPACITOR	1uF 6.3V K		R1059	NRSA6AJ-102W	MG RESISTOR	1kΩ 1/16W J	
C6217	NCJA0JK-105W-A	C CAPACITOR	1uF 6.3V K		R1060	NRSA6AJ-103W	MG RESISTOR	10kΩ 1/16W J	
C6218	NCB21CK-105X	C CAPACITOR	1uF 16V K		R1061	NRSA6AJ-561W	MG RESISTOR	560Ω 1/16W J	
C6219	NCB21CK-105X	C CAPACITOR	1uF 16V K		R1062	NRSA6AJ-224W	MG RESISTOR	220kΩ 1/16W J	
C6220	NCB21CK-105X	C CAPACITOR	1uF 16V K		R1065	NRSA6AJ-153W	MG RESISTOR	15kΩ 1/16W J	
C6222	NCBA1AK-104W	C CAPACITOR	0.1uF 10V K		R1067	NRSA6AJ-334W	MG RESISTOR	330kΩ 1/16W J	
C6224	NCB21CK-105X	C CAPACITOR	1uF 16V K		R1068	NRSA6AJ-102W	MG RESISTOR	1kΩ 1/16W J	
C6225	NCB21CK-105X	C CAPACITOR	1uF 16V K		R1069	NRSA6AJ-104W	MG RESISTOR	100kΩ 1/16W J	
C6226	NCBA1AK-104W	C CAPACITOR	0.1uF 10V K		R1070	NRSA6AJ-154W	MG RESISTOR	150kΩ 1/16W J	
C6227	NCB21CK-105X	C CAPACITOR	1uF 16V K		R1071	NRSA6AJ-272W	MG RESISTOR	2.7kΩ 1/16W J	
C6228	NCB21CK-105X	C CAPACITOR	1uF 16V K						

MODEL	MARK	MODEL	MARK	MODEL	MARK	MODEL	MARK
GR-DX27EK	A	GR-DX28EK	E	GR-DX37ER	J	GR-DX48EX	N
GR-DX27EX	B	GR-DX28EX	F	GR-DX37EX	K	GR-DX57EK	P
GR-DX27EY	C	GR-DX28EZ	G	GR-DX37EY	L	GR-DX57EX	Q
GR-DX27EZ	D	GR-DX37EK	H	GR-DX37EZ	M	GR-DX57EY	R
						GR-DX57EZ	S

△ Symbol No.	Part No.	Part Name	Description	Local	△ Symbol No.	Part No.	Part Name	Description	Local
R1072	NRSA6AJ-183W	MG RESISTOR	18kΩ 1/16W J		R2803	NRSA6AJ-564W	MG RESISTOR	560kΩ 1/16W J	
R1073	NRSA6AJ-103W	MG RESISTOR	10kΩ 1/16W J		R2804	NRSA6AJ-564W	MG RESISTOR	560kΩ 1/16W J	
R1074	NRSA6AJ-472W	MG RESISTOR	4.7kΩ 1/16W J		R2805	NRSA6AJ-332W	MG RESISTOR	3.3kΩ 1/16W J	
R1075	NRSA6AJ-473W	MG RESISTOR	47kΩ 1/16W J		R2806	NRSA6AJ-0R0W	MG RESISTOR	0Ω 1/16W J	
R1076	NRSA6AJ-473W	MG RESISTOR	47kΩ 1/16W J		R2807	NRSA6AJ-0R0W	MG RESISTOR	0Ω 1/16W J	EFGHJKLMNPQRS
R1077	NRSA6AJ-104W	MG RESISTOR	100kΩ 1/16W J		R2808	NRSA6AJ-0R0W	MG RESISTOR	0Ω 1/16W J	EFGHJKLMNPQRS
R1078	NRSA6AJ-393W	MG RESISTOR	39kΩ 1/16W J		R2809	NRSA6AJ-0R0W	MG RESISTOR	0Ω 1/16W J	EFGHJKLMNPQRS
R1079	NRSA6AJ-223W	MG RESISTOR	22kΩ 1/16W J		R3002	NRSA6AJ-103W	MG RESISTOR	10kΩ 1/16W J	
R1080	NRSA6AJ-822W	MG RESISTOR	8.2kΩ 1/16W J		R3004	NRSA6AJ-103W	MG RESISTOR	10kΩ 1/16W J	
R1081	NRSA6AJ-103W	MG RESISTOR	10kΩ 1/16W J		R3005	NRSA6AJ-100W	MG RESISTOR	10Ω 1/16W J	
R1082	NRSA6AJ-123W	MG RESISTOR	12kΩ 1/16W J		R3006	NRSA6AJ-100W	MG RESISTOR	10Ω 1/16W J	
R1083	NRSA6AJ-102W	MG RESISTOR	1kΩ 1/16W J		R3007	NRSA6AJ-562W	MG RESISTOR	5.6kΩ 1/16W J	
R1084	NRSA6AJ-102W	MG RESISTOR	1kΩ 1/16W J		R3008	NRSA6AJ-222W	MG RESISTOR	2.2kΩ 1/16W J	
R1085	NRSA6AJ-102W	MG RESISTOR	1kΩ 1/16W J		R3009	NRSA6AJ-103W	MG RESISTOR	10kΩ 1/16W J	
R1086	NRSA6AJ-332W	MG RESISTOR	3.3kΩ 1/16W J		R3010	NRSA6AJ-103W	MG RESISTOR	10kΩ 1/16W J	
R1087	NRSA6AJ-332W	MG RESISTOR	3.3kΩ 1/16W J		R3011	NRSA6AJ-224W	MG RESISTOR	220kΩ 1/16W J	
R1088	NRSA6AJ-332W	MG RESISTOR	3.3kΩ 1/16W J		R3013	NRSA6AJ-242W	MG RESISTOR	2.4kΩ 1/16W J	
R1089	NRSA6AJ-332W	MG RESISTOR	3.3kΩ 1/16W J		R3014	NRSA6AJ-392W	MG RESISTOR	3.9kΩ 1/16W J	
R1090	NRSA6AJ-682W	MG RESISTOR	6.8kΩ 1/16W J		R3015	NRSA6AJ-392W	MG RESISTOR	3.9kΩ 1/16W J	
R1091	NRSA6AJ-103W	MG RESISTOR	10kΩ 1/16W J		R3016	NRVA6AD-560W	CMF RESISTOR	56Ω 1/16W D	
R1092	NRSA6AJ-103W	MG RESISTOR	10kΩ 1/16W J		R3017	NRVA6AD-560W	CMF RESISTOR	56Ω 1/16W D	
R1093	NRSA6AJ-103W	MG RESISTOR	10kΩ 1/16W J		R3018	NRVA6AD-560W	CMF RESISTOR	56Ω 1/16W D	
R1094	NRSA6AJ-103W	MG RESISTOR	10kΩ 1/16W J		R3019	NRVA6AD-560W	CMF RESISTOR	56Ω 1/16W D	
R1095	NRSA6AJ-102W	MG RESISTOR	1kΩ 1/16W J		R3020	NRVA6AD-512W	CMF RESISTOR	5.1kΩ 1/16W D	
R1097	NRSA6AJ-104W	MG RESISTOR	100kΩ 1/16W J		R3021	NRSA6AJ-0R0W	MG RESISTOR	0Ω 1/16W J	
R1098	NRSA6AJ-223W	MG RESISTOR	22kΩ 1/16W J		R3025	NRSA6AJ-102W	MG RESISTOR	1kΩ 1/16W J	
R1701	NRSA6AJ-823W	MG RESISTOR	82kΩ 1/16W J		R3027	NRSA6AJ-103W	MG RESISTOR	10kΩ 1/16W J	
R1702	NRSA6AJ-222W	MG RESISTOR	2.2kΩ 1/16W J		R3029	NRSA6AJ-822W	MG RESISTOR	8.2kΩ 1/16W J	
R1703	NRSA6AJ-222W	MG RESISTOR	2.2kΩ 1/16W J		R3030	NRSA6AJ-224W	MG RESISTOR	220kΩ 1/16W J	
R1704	NRSA6AJ-222W	MG RESISTOR	2.2kΩ 1/16W J		R3031	NRSA6AJ-224W	MG RESISTOR	220kΩ 1/16W J	
R1705	NRSA6AJ-222W	MG RESISTOR	2.2kΩ 1/16W J		R3032	NRSA6AJ-105W	MG RESISTOR	1MΩ 1/16W J	
R1706	NRSA6AJ-823W	MG RESISTOR	82kΩ 1/16W J		R3034	NRSA6AJ-222W	MG RESISTOR	2.2kΩ 1/16W J	
R1707	NRSA6AJ-103W	MG RESISTOR	10kΩ 1/16W J		R3036	NRSA6AJ-103W	MG RESISTOR	10kΩ 1/16W J	
R1708	NRSA6AJ-124W	MG RESISTOR	120kΩ 1/16W J		R3037	NRSA6AJ-681W	MG RESISTOR	680Ω 1/16W J	
R1709	NRSA6AJ-103W	MG RESISTOR	10kΩ 1/16W J		R3038	NRSA6AJ-103W	MG RESISTOR	10kΩ 1/16W J	
R1710	NRSA6AJ-124W	MG RESISTOR	120kΩ 1/16W J		R3042	NRSA6AJ-823W	MG RESISTOR	82kΩ 1/16W J	
R1711	NRSA6AJ-102W	MG RESISTOR	1kΩ 1/16W J		R3043	NRSA6AJ-123W	MG RESISTOR	12kΩ 1/16W J	
R1712	NRSA6AJ-102W	MG RESISTOR	1kΩ 1/16W J		R3044	NRSA6AJ-0R0W	MG RESISTOR	0Ω 1/16W J	
R1713	NRSA02J-0R0X	MG RESISTOR	0Ω 1/10W J		R3046	NRSA6AJ-181W	MG RESISTOR	180Ω 1/16W J	
R2101	NRSA6AJ-471W	MG RESISTOR	470Ω 1/16W J	EFGHJKLMNPQRS	R3047	NRSA6AJ-472W	MG RESISTOR	4.7kΩ 1/16W J	
R2102	NRSA6AJ-471W	MG RESISTOR	470Ω 1/16W J	EFGHJKLMNPQRS	R3049	NRSA6AJ-561W	MG RESISTOR	560Ω 1/16W J	
R2103	NRSA6AJ-0R0W	MG RESISTOR	0Ω 1/16W J	EFGHJKLMNPQRS	R3050	NRSA6AJ-561W	MG RESISTOR	560Ω 1/16W J	
R2105	NRSA6AJ-0R0W	MG RESISTOR	0Ω 1/16W J	EFGHJKLMNPQRS	R3053	NRSA6AJ-0R0W	MG RESISTOR	0Ω 1/16W J	
R2201	NRSA6AJ-224W	MG RESISTOR	220kΩ 1/16W J		R3057	NRSA6AJ-151W	MG RESISTOR	150Ω 1/16W J	
R2202	NRSA6AJ-564W	MG RESISTOR	560kΩ 1/16W J		R3071	NRSA6AJ-0R0W	MG RESISTOR	0Ω 1/16W J	
R2203	NRSA6AJ-393W	MG RESISTOR	39kΩ 1/16W J		R3077	NRSA6AJ-0R0W	MG RESISTOR	0Ω 1/16W J	
R2204	NRSA6AJ-154W	MG RESISTOR	150kΩ 1/16W J		R3081	NRSA6AJ-471W	MG RESISTOR	470Ω 1/16W J	EFGHJKLMNPQRS
R2206	NRSA6AJ-333W	MG RESISTOR	33kΩ 1/16W J		R3201	NRSA6AJ-101W	MG RESISTOR	100Ω 1/16W J	
R2207	NRSA6AJ-333W	MG RESISTOR	33kΩ 1/16W J		R3202	NRSA6AD-183W	MG RESISTOR	18kΩ 1/16W D	
R2208	NRSA6AJ-223W	MG RESISTOR	22kΩ 1/16W J		R3203	NRSA6AD-123W	MG RESISTOR	12kΩ 1/16W D	
R2209	NRSA6AJ-223W	MG RESISTOR	22kΩ 1/16W J		R3204	NRSA6AD-821W	MG RESISTOR	820Ω 1/16W D	
R2212	NRSA6AJ-2R7W	MG RESISTOR	2.7Ω 1/16W J		R3205	NRSA6AD-821W	MG RESISTOR	820Ω 1/16W D	
R2213	NRSA6AJ-2R7W	MG RESISTOR	2.7Ω 1/16W J		R3207	NRSA6AJ-0R0W	MG RESISTOR	0Ω 1/16W J	
R2217	NRSA6AJ-100W	MG RESISTOR	10Ω 1/16W J		R3212	NRSA6AJ-151W	MG RESISTOR	150Ω 1/16W J	HJKLMNPQRS
R2225	NRSA6AJ-0R0W	MG RESISTOR	0Ω 1/16W J		R3213	NRSA6AJ-101W	MG RESISTOR	100Ω 1/16W J	
R2226	NRSA6AJ-0R0W	MG RESISTOR	0Ω 1/16W J		R3214	NRSA6AJ-101W	MG RESISTOR	100Ω 1/16W J	
R2227	NRSA6AJ-0R0W	MG RESISTOR	0Ω 1/16W J	A,B,C,D	R3339	NRSA6AJ-0R0W	MG RESISTOR	0Ω 1/16W J	
R2228	NRSA6AJ-0R0W	MG RESISTOR	0Ω 1/16W J	A,B,C,D	R3501	NRSA6AJ-471W	MG RESISTOR	470Ω 1/16W J	
R2231	NRSA6AJ-102W	MG RESISTOR	1kΩ 1/16W J		R3502	NRSA6AJ-104W	MG RESISTOR	100kΩ 1/16W J	
R2401	NRSA6AJ-472W	MG RESISTOR	4.7kΩ 1/16W J		R3503	NRSA6AJ-102W	MG RESISTOR	1kΩ 1/16W J	
R2402	NRSA6AJ-472W	MG RESISTOR	4.7kΩ 1/16W J		R3504	NRSA6AD-241W	MG RESISTOR	240Ω 1/16W D	
R2407	NRSA6AJ-100W	MG RESISTOR	10Ω 1/16W J		R3505	NRSA6AD-241W	MG RESISTOR	240Ω 1/16W D	
R2601	NRSA6AJ-222W	MG RESISTOR	2.2kΩ 1/16W J		R3506	NRSA6AD-241W	MG RESISTOR	240Ω 1/16W D	
R2602	NRSA6AJ-222W	MG RESISTOR	2.2kΩ 1/16W J		R3507	NRSA6AD-241W	MG RESISTOR	240Ω 1/16W D	
R2604	NRSA6AJ-103W	MG RESISTOR	10kΩ 1/16W J		R3508	NRSA6AJ-223W	MG RESISTOR	22kΩ 1/16W J	
R2605	NRSA6AJ-332W	MG RESISTOR	3.3kΩ 1/16W J		R3511	NRSA6AJ-101W	MG RESISTOR	100Ω 1/16W J	
R2607	NRSA6AJ-223W	MG RESISTOR	22kΩ 1/16W J		R3521	NRSA6AJ-0R0W	MG RESISTOR	0Ω 1/16W J	
R2608	NRSA6AJ-223W	MG RESISTOR	22kΩ 1/16W J		R3522	NRSA6AJ-0R0W	MG RESISTOR	0Ω 1/16W J	
R2609	NRSA6AJ-334W	MG RESISTOR	330kΩ 1/16W J		R3523	NRSA6AJ-0R0W	MG RESISTOR	0Ω 1/16W J	
R2610	NRSA6AJ-334W	MG RESISTOR	330kΩ 1/16W J		R3524	NRSA6AJ-0R0W	MG RESISTOR	0Ω 1/16W J	
R2611	NRSA6AJ-103W	MG RESISTOR	10kΩ 1/16W J		R3525	NRSA6AJ-0R0W	MG RESISTOR	0Ω 1/16W J	
R2612	NRSA6AJ-103W	MG RESISTOR	10kΩ 1/16W J		R3526	NRSA6AJ-0R0W	MG RESISTOR	0Ω 1/16W J	
R2613	NRSA6AJ-103W	MG RESISTOR	10kΩ 1/16W J		R3527	NRSA6AJ-0R0W	MG RESISTOR	0Ω 1/16W J	
R2614	NRSA6AJ-103W	MG RESISTOR	10kΩ 1/16W J		R3701	NRSA6AD-271W	MG RESISTOR	270Ω 1/16W D	
R2615	NRSA6AJ-334W	MG RESISTOR	330kΩ 1/16W J		R3703	NRSA6AJ-332W	MG RESISTOR	3.3kΩ 1/16W J	
R2616	NRSA6AJ-334W	MG RESISTOR	330kΩ 1/16W J		R3704	NRSA6AD-301W	MG RESISTOR	300Ω 1/16W D	
R2801	NRSA6AJ-821W	MG RESISTOR	820Ω 1/16W J		R3706	NRSA6AJ-332W	MG RESISTOR	3.3kΩ 1/16W J	
R2802	NRSA6AJ-821W	MG RESISTOR	820Ω 1/16W J		R3707	NRSA6AD-680W	MG RESISTOR	68Ω 1/16W D	

MODEL	MARK	MODEL	MARK	MODEL	MARK	MODEL	MARK
GR-DX27EK	A	GR-DX28EK	E	GR-DX37ER	J	GR-DX48EX	N
GR-DX27EX	B	GR-DX28EX	F	GR-DX37EX	K	GR-DX57EK	P
GR-DX27EY	C	GR-DX28EZ	G	GR-DX37EY	L	GR-DX57EX	Q
GR-DX27EZ	D	GR-DX37EK	H	GR-DX37EZ	M	GR-DX57EY	R
						GR-DX57EZ	S

Symbol No.	Part No.	Part Name	Description	Local
R3708	NRSA6AD-680W	MG RESISTOR	68Ω 1/16W D	
R3709	NRSA6AD-680W	MG RESISTOR	68Ω 1/16W D	
R3710	NRSA6AJ-103W	MG RESISTOR	10kΩ 1/16W J	
R3711	NRSA6AJ-103W	MG RESISTOR	10kΩ 1/16W J	
R3712	NRSA6AJ-105W	MG RESISTOR	1MΩ 1/16W J	
R3713	NRSA6AJ-104W	MG RESISTOR	100kΩ 1/16W J	
R3714	NRSA6AJ-823W	MG RESISTOR	82kΩ 1/16W J	
R3715	NRSA6AJ-103W	MG RESISTOR	10kΩ 1/16W J	
R3716	NRSA6AJ-0R0W	MG RESISTOR	0Ω 1/16W J	
R3718	NRSA6AJ-0R0W	MG RESISTOR	0Ω 1/16W J	
R3722	NRSA6AD-750W	MG RESISTOR	75Ω 1/16W D	
R3724	NRSA6AJ-472W	MG RESISTOR	4.7kΩ 1/16W J	
R3725	NRSA6AD-750W	MG RESISTOR	75Ω 1/16W D	
R3726	NRSA6AJ-472W	MG RESISTOR	4.7kΩ 1/16W J	
R3727	NRSA6AJ-472W	MG RESISTOR	4.7kΩ 1/16W J	
R3728	NRSA6AD-750W	MG RESISTOR	75Ω 1/16W D	
R3730	NRSA6AJ-472W	MG RESISTOR	4.7kΩ 1/16W J	
R3731	NRSA6AJ-472W	MG RESISTOR	4.7kΩ 1/16W J HJKLMPQRS	
R3732	NRSA6AJ-101W	MG RESISTOR	100Ω 1/16W J HJKLMPQRS	
R3733	NRSA6AD-561W	MG RESISTOR	560Ω 1/16W D HJKLMPQRS	
R3734	NRSA6AJ-822W	MG RESISTOR	8.2kΩ 1/16W J HJKLMPQRS	
R3735	NRSA6AD-182W	MG RESISTOR	1.8kΩ 1/16W D HJKLMPQRS	
R3736	NRSA6AJ-183W	MG RESISTOR	18kΩ 1/16W J HJKLMPQRS	
R3737	NRSA6AJ-183W	MG RESISTOR	18kΩ 1/16W J HJKLMPQRS	
R3738	NRSA6AJ-681W	MG RESISTOR	680Ω 1/16W J HJKLMPQRS	
R3739	NRSA6AJ-821W	MG RESISTOR	820Ω 1/16W J HJKLMPQRS	
R3740	NRSA6AJ-821W	MG RESISTOR	820Ω 1/16W J HJKLMPQRS	
R3741	NRSA6AJ-102W	MG RESISTOR	1kΩ 1/16W J HJKLMPQRS	
R3742	NRSA6AJ-104W	MG RESISTOR	100kΩ 1/16W J HJKLMPQRS	
R3743	NRSA6AJ-104W	MG RESISTOR	100kΩ 1/16W J HJKLMPQRS	
R3744	NRSA6AD-561W	MG RESISTOR	560Ω 1/16W D HJKLMPQRS	
R3745	NRSA6AD-152W	MG RESISTOR	1.5kΩ 1/16W D HJKLMPQRS	
R3746	NRSA6AJ-222W	MG RESISTOR	2.2kΩ 1/16W J HJKLMPQRS	
R3747	NRSA6AJ-102W	MG RESISTOR	1kΩ 1/16W J HJKLMPQRS	
R3748	NRSA6AJ-474W	MG RESISTOR	470kΩ 1/16W J HJKLMPQRS	
R4201	NRSA6AJ-333W	MG RESISTOR	33kΩ 1/16W J	
R4202	NRSA63J-470X	MG RESISTOR	47Ω 1/16W J	
R4203	NRSA6AJ-100W	MG RESISTOR	10Ω 1/16W J	
R4204	NRSA6AJ-100W	MG RESISTOR	10Ω 1/16W J	
R4301	NRSA6AJ-220W	MG RESISTOR	22Ω 1/16W J	
R4303	NRSA6AJ-0R0W	MG RESISTOR	0Ω 1/16W J	
R4304	NRSA6AJ-0R0W	MG RESISTOR	0Ω 1/16W J	
R4305	NRSA6AJ-0R0W	MG RESISTOR	0Ω 1/16W J	
R4306	NRSA6AJ-0R0W	MG RESISTOR	0Ω 1/16W J	
R4307	NRSA6AJ-470W	MG RESISTOR	47Ω 1/16W J	
R4308	NRSA6AJ-470W	MG RESISTOR	47Ω 1/16W J	
R4310	NRSA6AJ-0R0W	MG RESISTOR	0Ω 1/16W J	
R4313	NRSA6AJ-0R0W	MG RESISTOR	0Ω 1/16W J	
R4315	NRSA6AJ-0R0W	MG RESISTOR	0Ω 1/16W J	
R4317	NRSA6AJ-0R0W	MG RESISTOR	0Ω 1/16W J	
R4319	NRSA6AJ-0R0W	MG RESISTOR	0Ω 1/16W J	
R4320	NRSA6AJ-0R0W	MG RESISTOR	0Ω 1/16W J	
R4321	NRSA6AJ-0R0W	MG RESISTOR	0Ω 1/16W J	
R4322	NRSA6AJ-470W	MG RESISTOR	47Ω 1/16W J	
R4323	NRSA6AJ-101W	MG RESISTOR	100Ω 1/16W J	
R4324	NRSA6AJ-101W	MG RESISTOR	100Ω 1/16W J	
R4325	NRSA6AJ-101W	MG RESISTOR	100Ω 1/16W J	
R4326	NRSA6AJ-101W	MG RESISTOR	100Ω 1/16W J	
R4327	NRSA6AJ-101W	MG RESISTOR	100Ω 1/16W J	
R4701	NRSA6AJ-103W	MG RESISTOR	10kΩ 1/16W J	
R4702	NRSA6AJ-104W	MG RESISTOR	100kΩ 1/16W J	
R4703	NRSA6AJ-683W	MG RESISTOR	68kΩ 1/16W J	
R4704	NRSA6AJ-153W	MG RESISTOR	15kΩ 1/16W J	
R4705	NRSA6AJ-564W	MG RESISTOR	560kΩ 1/16W J	
R4706	NRSA6AJ-105W	MG RESISTOR	1MΩ 1/16W J	
R4707	NRSA6AJ-243W	MG RESISTOR	24kΩ 1/16W J	
R4708	NRSA6AJ-331W	MG RESISTOR	330Ω 1/16W J	
R4709	NRSA6AJ-103W	MG RESISTOR	10kΩ 1/16W J	
R4710	NRSA6AJ-105W	MG RESISTOR	1MΩ 1/16W J	
R4712	NRSA6AJ-472W	MG RESISTOR	4.7kΩ 1/16W J	
R4713	NRSA6AJ-102W	MG RESISTOR	1kΩ 1/16W J	
R4714	NRSA6AJ-683W	MG RESISTOR	68kΩ 1/16W J	
R4715	NRSA6AJ-472W	MG RESISTOR	4.7kΩ 1/16W J	
R4716	NRSA6AJ-104W	MG RESISTOR	100kΩ 1/16W J	
R4717	NRSA6AJ-103W	MG RESISTOR	10kΩ 1/16W J	
R4718	NRSA6AJ-104W	MG RESISTOR	100kΩ 1/16W J	
R4722	NRSA6AJ-822W	MG RESISTOR	8.2kΩ 1/16W J	
R4723	NRSA6AJ-103W	MG RESISTOR	10kΩ 1/16W J	

Symbol No.	Part No.	Part Name	Description	Local
R4724	NRSA6AJ-103W	MG RESISTOR	10kΩ 1/16W J	
R4725	NRSA6AJ-0R0W	MG RESISTOR	0Ω 1/16W J	
R4726	NRSA6AJ-0R0W	MG RESISTOR	0Ω 1/16W J	
R4727	NRSA6AJ-0R0W	MG RESISTOR	0Ω 1/16W J	
R4728	NRSA6AJ-0R0W	MG RESISTOR	0Ω 1/16W J	
R4729	NRSA6AJ-0R0W	MG RESISTOR	0Ω 1/16W J	
R4730	NRSA6AJ-0R0W	MG RESISTOR	0Ω 1/16W J	
R4733	NRSA6AJ-0R0W	MG RESISTOR	0Ω 1/16W J	
R4734	NRSA6AJ-0R0W	MG RESISTOR	0Ω 1/16W J	
R4735	NRSA6AJ-0R0W	MG RESISTOR	0Ω 1/16W J	
R4901	NRSA6AJ-243W	MG RESISTOR	24kΩ 1/16W J	
R4902	NRSA6AJ-103W	MG RESISTOR	10kΩ 1/16W J	
R4903	NRSA6AJ-822W	MG RESISTOR	8.2kΩ 1/16W J	
R4904	NRSA6AJ-103W	MG RESISTOR	10kΩ 1/16W J	
R4905	NRSA6AJ-153W	MG RESISTOR	15kΩ 1/16W J	
R4906	NRSA6AJ-684W	MG RESISTOR	680kΩ 1/16W J	
R4907	NRSA6AJ-105W	MG RESISTOR	1MΩ 1/16W J	
R4908	NRSA6AJ-472W	MG RESISTOR	4.7kΩ 1/16W J	
R4909	NRSA6AJ-105W	MG RESISTOR	1MΩ 1/16W J	
R4910	NRSA6AJ-101W	MG RESISTOR	100Ω 1/16W J	
R4911	NRSA6AJ-101W	MG RESISTOR	100Ω 1/16W J	
R4912	NRSA6AJ-101W	MG RESISTOR	100Ω 1/16W J	
R4914	NRSA6AJ-104W	MG RESISTOR	100kΩ 1/16W J	
R4917	NRSA6AJ-103W	MG RESISTOR	10kΩ 1/16W J	
R4918	NRSA6AJ-103W	MG RESISTOR	10kΩ 1/16W J	
R4921	NRSA6AJ-0R0W	MG RESISTOR	0Ω 1/16W J	
R4922	NRSA6AJ-103W	MG RESISTOR	10kΩ 1/16W J	
R4923	NRSA6AJ-123W	MG RESISTOR	12kΩ 1/16W J	
R4924	NRSA6AJ-123W	MG RESISTOR	12kΩ 1/16W J	
R4925	NRSA6AJ-0R0W	MG RESISTOR	0Ω 1/16W J	
R4926	NRSA6AJ-0R0W	MG RESISTOR	0Ω 1/16W J	
R4927	NRSA6AJ-0R0W	MG RESISTOR	0Ω 1/16W J	
R4928	NRSA6AJ-0R0W	MG RESISTOR	0Ω 1/16W J	
R4929	NRSA6AJ-0R0W	MG RESISTOR	0Ω 1/16W J	
R4930	NRSA6AJ-0R0W	MG RESISTOR	0Ω 1/16W J	
R4931	NRSA6AJ-0R0W	MG RESISTOR	0Ω 1/16W J	
R4932	NRSA6AJ-0R0W	MG RESISTOR	0Ω 1/16W J	
R4933	NRSA6AJ-0R0W	MG RESISTOR	0Ω 1/16W J	
R4934	NRSA6AJ-0R0W	MG RESISTOR	0Ω 1/16W J	
R4935	NRSA6AJ-104W	MG RESISTOR	100kΩ 1/16W J	
R4944	NRSA6AJ-0R0W	MG RESISTOR	0Ω 1/16W J	
R4945	NRSA6AJ-103W	MG RESISTOR	10kΩ 1/16W J	
R4947	NRSA6AJ-153W	MG RESISTOR	15kΩ 1/16W J	
R4948	NRSA6AJ-103W	MG RESISTOR	10kΩ 1/16W J	
R4949	NRSA6AJ-0R0W	MG RESISTOR	0Ω 1/16W J	
R4950	NRSA6AJ-683W	MG RESISTOR	68kΩ 1/16W J	
R4951	NRSA6AJ-102W	MG RESISTOR	1kΩ 1/16W J	
R4952	NRSA6AJ-102W	MG RESISTOR	1kΩ 1/16W J	
R4953	NRSA6AJ-102W	MG RESISTOR	1kΩ 1/16W J	
R4954	NRSA6AJ-102W	MG RESISTOR	1kΩ 1/16W J	
R4955	NRSA6AJ-101W	MG RESISTOR	100Ω 1/16W J	
R4956	NRSA6AJ-4R7W	MG RESISTOR	4.7Ω 1/16W J	
R4957	NRSA6AJ-4R7W	MG RESISTOR	4.7Ω 1/16W J	
R4958	NRSA6AJ-0R0W	MG RESISTOR	0Ω 1/16W J	
R4959	NRSA6AJ-4R7W	MG RESISTOR	4.7Ω 1/16W J	
R4960	NRSA6AJ-4R7W	MG RESISTOR	4.7Ω 1/16W J	
R4961	NRSA6AJ-271W	MG RESISTOR	270Ω 1/16W J	
R4962	NRSA6AJ-0R0W	MG RESISTOR	0Ω 1/16W J	
R4963	NRSA6AJ-0R0W	MG RESISTOR	0Ω 1/16W J	
R4964	NRSA6AJ-0R0W	MG RESISTOR	0Ω 1/16W J	
R4965	NRSA6AJ-0R0W	MG RESISTOR	0Ω 1/16W J	
R5001	NRSA6AJ-104W	MG RESISTOR	100kΩ 1/16W J	
R5003	NRSA6AJ-220W	MG RESISTOR	22Ω 1/16W J	
R5004	NRSA6AJ-220W	MG RESISTOR	22Ω 1/16W J	
R5005	NRSA6AJ-220W	MG RESISTOR	22Ω 1/16W J	
R5006	NRSA6AJ-100W	MG RESISTOR	10Ω 1/16W J	
R5007	NRSA6AJ-100W	MG RESISTOR	10Ω 1/16W J	
R5008	NRSA6AJ-0R0W	MG RESISTOR	0Ω 1/16W J	
R5009	NRSA6AJ-470W	MG RESISTOR	47Ω 1/16W J	
R5011	NRSA6AJ-470W	MG RESISTOR	47Ω 1/16W J	
R5012	NRSA6AJ-102W	MG RESISTOR	1kΩ 1/16W J	
R5013	NRSA6AJ-102W	MG RESISTOR	1kΩ 1/16W J	
R5014	NRSA6AJ-102W	MG RESISTOR	1kΩ 1/16W J	
R6001	NRSA6AJ-224W	MG RESISTOR	220kΩ 1/16W J	
△ R6002	NRSA63J-471X	MG RESISTOR	470Ω 1/16W J	
△ R6003	NRSA63J-102X	MG RESISTOR	1kΩ 1/16W J	
R6005	NRSA6AD-513W	MG RESISTOR	51kΩ 1/16W D	
R6006	NRSA6AD-243W	MG RESISTOR	24kΩ 1/16W D	

MODEL	MARK	MODEL	MARK	MODEL	MARK	MODEL	MARK
GR-DX27EK	A	GR-DX28EK	E	GR-DX37ER	J	GR-DX48EX	N
GR-DX27EX	B	GR-DX28EX	F	GR-DX37EX	K	GR-DX57EK	P
GR-DX27EY	C	GR-DX28EZ	G	GR-DX37EY	L	GR-DX57EX	Q
GR-DX27EZ	D	GR-DX37EK	H	GR-DX37EZ	M	GR-DX57EY	R
						GR-DX57EZ	S

△ Symbol No.	Part No.	Part Name	Description	Local	△ Symbol No.	Part No.	Part Name	Description	Local
R6101	NRSA6AD-103W	MG RESISTOR	10kΩ 1/16W D		RA3001	NRZ0034-560W	NET RESISTOR	56Ω 1/32W J	
R6102	NRSA6AJ-751W	MG RESISTOR	750Ω 1/16W J		RA3002	NRZ0034-560W	NET RESISTOR	56Ω 1/32W J	
R6103	NRSA6AD-622W	MG RESISTOR	6.2kΩ 1/16W D		RA3003	NRZ0034-100W	NET RESISTOR	10Ω 1/32W J	
R6104	NRSA6AJ-333W	MG RESISTOR	33kΩ 1/16W J		RA3004	NRZ0034-103W	NET RESISTOR	10kΩ 1/32W J	
R6105	NRSA6AJ-562W	MG RESISTOR	5.6kΩ 1/16W J		RA3005	NRZ0040-0R0X	NET RESISTOR	0Ω 1/16W J	
R6106	NRSA6AJ-223W	MG RESISTOR	22kΩ 1/16W J		RA3201	NRZ0034-101W	NET RESISTOR	100Ω 1/32W J	
R6107	NRSA6AJ-472W	MG RESISTOR	4.7kΩ 1/16W J		RA3202	NRZ0034-101W	NET RESISTOR	100Ω 1/32W J	
R6108	NRSA6AJ-823W	MG RESISTOR	82kΩ 1/16W J		RA4201	NRZ0034-100W	NET RESISTOR	10Ω 1/32W J	
R6109	NRSA6AJ-823W	MG RESISTOR	82kΩ 1/16W J		RA4202	NRZ0034-100W	NET RESISTOR	10Ω 1/32W J	
R6110	NRSA6AD-153W	MG RESISTOR	15kΩ 1/16W D		RA4305	NRZ0034-100W	NET RESISTOR	10Ω 1/32W J	
R6112	NRSA6AJ-0R0W	MG RESISTOR	0Ω 1/16W J		RA4306	NRZ0034-100W	NET RESISTOR	10Ω 1/32W J	
R6113	NRSA6AJ-102W	MG RESISTOR	1kΩ 1/16W J		RA4307	NRZ0034-100W	NET RESISTOR	10Ω 1/32W J	
R6202	NRSA6AD-223W	MG RESISTOR	22kΩ 1/16W D		RA4308	NRZ0034-100W	NET RESISTOR	10Ω 1/32W J	
R6204	NRSA6AD-822W	MG RESISTOR	8.2kΩ 1/16W D		L1001	NQL402M-100X	COIL	10uH M	
R6205	NRSA6AJ-473W	MG RESISTOR	47kΩ 1/16W J		L1002	NQL402M-100X	COIL	10uH M	
R6206	NRSA6AJ-102W	MG RESISTOR	1kΩ 1/16W J		L2101	NQL402M-100X	COIL	10uH M	EFGHJKLMNPQRS
R6207	NRSA6AD-183W	MG RESISTOR	18kΩ 1/16W D		L2401	NQL402M-100X	COIL	10uH M	
R6208	NRSA6AD-123W	MG RESISTOR	12kΩ 1/16W D		L2402	NQL402M-100X	COIL	10uH M	
R6210	NRSA6AD-123W	MG RESISTOR	12kΩ 1/16W D		L2601	NQR0269-013X	FERRITE BEADS		
R6211	NRSA6AD-153W	MG RESISTOR	15kΩ 1/16W D		L2602	NQR0269-013X	FERRITE BEADS		
R6213	NRSA6AD-183W	MG RESISTOR	18kΩ 1/16W D		L2603	NQR0269-013X	FERRITE BEADS		
R6215	NRSA6AD-472W	MG RESISTOR	4.7kΩ 1/16W D		L2651	NQR0269-013X	FERRITE BEADS		
R6216	NRSA6AJ-103W	MG RESISTOR	10kΩ 1/16W J		L2652	NQR0269-013X	FERRITE BEADS		
R6217	NRSA6AJ-152W	MG RESISTOR	1.5kΩ 1/16W J		L2653	NQR0269-013X	FERRITE BEADS		
R6219	NRSA6AD-243W	MG RESISTOR	24kΩ 1/16W D		L2801	NQR0251-004X	FERRITE BEADS		
R6220	NRSA6AD-302W	MG RESISTOR	3kΩ 1/16W D		L2802	NQR0251-004X	FERRITE BEADS		
R6221	NRSA6AD-104W	MG RESISTOR	100kΩ 1/16W D		L2803	NRSA63J-0R0X	MG RESISTOR	0Ω 1/16W J	
R6222	NRSA6AD-123W	MG RESISTOR	12kΩ 1/16W D		L2804	NRSA63J-0R0X	MG RESISTOR	0Ω 1/16W J	
R6223	NRSA6AD-103W	MG RESISTOR	10kΩ 1/16W D		L2805	NRSA63J-0R0X	MG RESISTOR	0Ω 1/16W J	
R6225	NRSA6AD-473W	MG RESISTOR	47kΩ 1/16W D		L3001	NQR0129-002X	FERRITE BEADS		
R6226	NRSA6AD-562W	MG RESISTOR	5.6kΩ 1/16W D		L3002	NQR0129-002X	FERRITE BEADS		
R6227	NRSA6AD-273W	MG RESISTOR	27kΩ 1/16W D		L3004	NQR0006-001X	FERRITE BEADS		
R6228	NRSA6AD-473W	MG RESISTOR	47kΩ 1/16W D		L3005	NQR0006-001X	FERRITE BEADS		
R6229	NRSA6AJ-272W	MG RESISTOR	2.7kΩ 1/16W J		L3007	NQL085J-2R2X	COIL	2.2uH J	
R6230	NRSA6AD-473W	MG RESISTOR	47kΩ 1/16W D		L3008	NQL085J-120X	COIL	12uH J	
R6231	NRSA6AD-332W	MG RESISTOR	3.3kΩ 1/16W D		L3012	NQR0129-002X	FERRITE BEADS		
R6232	NRSA6AD-123W	MG RESISTOR	12kΩ 1/16W D		L3015	NQR0006-001X	FERRITE BEADS		
R6233	NRSA6AD-203W	MG RESISTOR	20kΩ 1/16W D		L3201	NQR0129-002X	FERRITE BEADS		
R6234	NRSA6AJ-101W	MG RESISTOR	100Ω 1/16W J		L3202	NQR0129-002X	FERRITE BEADS		
R6235	NRSA6AJ-222W	MG RESISTOR	2.2kΩ 1/16W J		L3203	NQR0006-001X	FERRITE BEADS		
R6236	NRSA6AD-563W	MG RESISTOR	56kΩ 1/16W D		L3204	NQL38DK-100X	P COIL	10uH K	
R6237	NRSA6AD-473W	MG RESISTOR	47kΩ 1/16W D		L3501	NQR0129-002X	FERRITE BEADS		
R6238	NRSA6AJ-104W	MG RESISTOR	100kΩ 1/16W J		L3502	NQL402M-100X	COIL	10uH M	
R6239	NRSA6AJ-0R0W	MG RESISTOR	0Ω 1/16W J		L3503	NQR0006-001X	FERRITE BEADS		
R6701	NRV142F-R20X	CMF RESISTOR	0.2Ω 1/4W F		L3504	NQR0006-001X	FERRITE BEADS		
R6702	NRSA6AD-104W	MG RESISTOR	100kΩ 1/16W D		L3505	NQR0006-001X	FERRITE BEADS		
R6703	NRSA6AD-123W	MG RESISTOR	12kΩ 1/16W D		L3701	NQL38DK-100X	P COIL	10uH K	
R6704	NRSA6AD-823W	MG RESISTOR	82kΩ 1/16W D		L3731	NQL085J-6R8X	COIL	6.8uH J H,K,L,M,P,Q,R,S	
R6705	NRSA6AD-333W	MG RESISTOR	33kΩ 1/16W D		L3732	NQL085J-6R8X	COIL	6.8uH J H,K,L,M,P,Q,R,S	
R6706	NRSA63J-0R0X	MG RESISTOR	0Ω 1/16W J		L4201	NQL38DK-100X	P COIL	10uH K	
R8701	NRSA6AJ-0R0W	MG RESISTOR	0Ω 1/16W J	EFGHJKLMNPQRS	L4202	NQL38DK-100X	P COIL	10uH K	
R8702	NRS181J-220X	MG RESISTOR	22Ω 1/8W J	EFGHJKLMNPQRS	L4301	NQR0129-002X	FERRITE BEADS		
R8703	NRS181J-220X	MG RESISTOR	22Ω 1/8W J	EFGHJKLMNPQRS	L4302	NQR0129-002X	FERRITE BEADS		
R8704	NRSA6AJ-105W	MG RESISTOR	1MΩ 1/16W J	EFGHJKLMNPQRS	L4701	NQL38DK-100X	P COIL	10uH K	
R8705	NRSA6AJ-152W	MG RESISTOR	1.5kΩ 1/16W J	EFGHJKLMNPQRS	L4901	NQR0129-002X	FERRITE BEADS		
R8706	NRSA6AJ-334W	MG RESISTOR	330kΩ 1/16W J	EFGHJKLMNPQRS	L4902	NQL38DK-100X	P COIL	10uH K	
R8707	NRSA6AJ-0R0W	MG RESISTOR	0Ω 1/16W J	EFGHJKLMNPQRS	L4953	NQR0129-002X	FERRITE BEADS		
R8708	NRSA6AJ-0R0W	MG RESISTOR	0Ω 1/16W J	EFGHJKLMNPQRS	L4954	NQL38DK-100X	P COIL	10uH K	
R8709	NRSA6AJ-105W	MG RESISTOR	1MΩ 1/16W J	EFGHJKLMNPQRS	L4955	NQL38DK-100X	P COIL	10uH K	
R8710	NRSA6AJ-0R0W	MG RESISTOR	0Ω 1/16W J	EFGHJKLMNPQRS	L5001	NQL38DK-100X	P COIL	10uH K	
R8711	NRSA6AJ-100W	MG RESISTOR	10Ω 1/16W J	EFGHJKLMNPQRS	L5002	NQR0129-002X	FERRITE BEADS		
R8712	NRSA6AJ-100W	MG RESISTOR	10Ω 1/16W J	EFGHJKLMNPQRS	L5003	NQR0129-002X	FERRITE BEADS		
R8713	NRSA6AJ-100W	MG RESISTOR	10Ω 1/16W J	EFGHJKLMNPQRS	L5004	NQR0129-002X	FERRITE BEADS		
R8715	NRSA6AJ-0R0W	MG RESISTOR	0Ω 1/16W J	EFGHJKLMNPQRS	L5005	NQL38DK-100X	P COIL	10uH K	
R8717	NRSA6AJ-0R0W	MG RESISTOR	0Ω 1/16W J	EFGHJKLMNPQRS	L5006	NQL38DK-100X	P COIL	10uH K	
R8718	NRSA6AJ-0R0W	MG RESISTOR	0Ω 1/16W J	EFGHJKLMNPQRS	L5009	NQL38DK-100X	P COIL	10uH K	
R8720	NRSA6AJ-0R0W	MG RESISTOR	0Ω 1/16W J	EFGHJKLMNPQRS	L5011	NQL38DK-100X	P COIL	10uH K	
R8721	NRSA6AJ-0R0W	MG RESISTOR	0Ω 1/16W J	EFGHJKLMNPQRS	L6001	NQL62EM-820X	COIL	82uH M	
R8722	NRSA6AJ-224W	MG RESISTOR	220kΩ 1/16W J	EFGHJKLMNPQRS	L6101	NQL62EM-100X	COIL	10uH M	
R8723	NRSA6AJ-334W	MG RESISTOR	330kΩ 1/16W J	EFGHJKLMNPQRS	L6102	NQL62EM-100X	COIL	10uH M	
RA1001	NRZ0034-473W	NET RESISTOR	47kΩ 1/32W J		L6201	NQL62EM-390X	COIL	39uH M	
RA1002	NRZ0034-104W	NET RESISTOR	100kΩ 1/32W J		L6202	NQL62EM-390X	COIL	39uH M	
RA1003	NRZ0034-104W	NET RESISTOR	100kΩ 1/32W J		L6203	NQL62EM-100X	COIL	10uH M	
RA1004	NRZ0034-104W	NET RESISTOR	100kΩ 1/32W J		L6204	NQL144K-220X	P COIL	22uH K	
RA1005	NRZ0034-103W	NET RESISTOR	10kΩ 1/32W J		L6205	NQL62EM-470X	COIL	47uH M	
RA1006	NRZ0034-102W	NET RESISTOR	1kΩ 1/32W J		L6206	NQL62EM-470X	COIL	47uH M	
RA1007	NRZ0034-102W	NET RESISTOR	1kΩ 1/32W J		L6207	NQLZ011-221X	COIL	220uH M	
RA1008	NRZ0034-104W	NET RESISTOR	100kΩ 1/32W J						

MODEL	MARK	MODEL	MARK	MODEL	MARK	MODEL	MARK
GR-DX27EK	A	GR-DX28EK	E	GR-DX37ER	J	GR-DX48EX	N
GR-DX27EX	B	GR-DX28EX	F	GR-DX37EX	K	GR-DX57EX	P
GR-DX27EY	C	GR-DX28EZ	G	GR-DX37EY	L	GR-DX57EY	Q
GR-DX27EZ	D	GR-DX37EK	H	GR-DX37EZ	M	GR-DX57EZ	R
							S

Symbol No.	Part No.	Part Name	Description	Local
L6208	NQL38DK-100X	P COIL	10uH K	
L6701	NQL52EM-100X	COIL	10uH M	
L8701	NQR0129-002X	FERRITE BEADS		EEFGJKLMMNPPQRS
L8702	NQR0129-002X	FERRITE BEADS		EEFGJKLMMNPPQRS
CN101	QGF0532F2-21X	CONNECTOR	BATT.TERM. FFC/FPC (1-21)	
CN102	QGF0517F2-20X	CONNECTOR	CCD FFC/FPC (1-20)	
CN103	QGF0537F2-30X	CONNECTOR	MDA PWB FFC/FPC (1-30)	
CN104	QGF0307F2-39W	CONNECTOR	MONI PWB FFC/FPC (1-39)	
CN105	QGB0512L4-40X	CONNECTOR	JIG CN B-B (1-40)	
CN106	QGF0517F2-16X	CONNECTOR	SENSOR FFC/FPC (1-16)	
CN107	QGF0537F1-28X	CONNECTOR	OP FFC/FPC (1-28)	
CN108	QGF0517F2-07X	CONNECTOR	POWER SW FFC/FPC (1-7)	
CN109	QGF0532F2-13X	CONNECTOR	OPERATION FFC/FPC (1-13)	
CN110	QGF0517F1-08X	CONNECTOR	HEAD FFC/FPC (1-8)	
CN111	QGA1001F1-04X	CONNECTOR	INT MIC W-B (1-4)	
CN112	QGF0517F2-12X	CONNECTOR	FRONT PWB FFC/FPC (1-12)	
CN113	QGF0532F2-22X	CONNECTOR	VF PWB FFC/FPC (1-22)	
△ F4951	NMFZ007-R20X-K	FUSE	0.2A 50V	
△ F4952	NMFZ007-R20X-K	FUSE	0.2A 50V	
△ F6001	NMFZ007-1R0X-K	FUSE	1A 32V	
△ F6101	NMFZ007-2R0X-K	FUSE	2A 32V	
△ F6201	NMFZ007-1R25X-K	FUSE	1.25A 32V	
J101	QNS0233-001	3.5 JACK	EXT MIC	
J102	QNZ0497-001	USB(B) CONNECTOR	USB USB(MINI-B)	EEFGJKLMMNPPQRS
J103	QNZ0669-002	M CONNECTOR	MULTI	
J104	QNA0037-002	DC JACK	DC JACK	
J105	QNZ0518-002	D CONNECTOR	DV	
X1001	NAX0645-001X	CRYSTAL		
X1002	NAX0564-001X	CRYSTAL		
X3002	NAX0480-001X	CRYSTAL	24.576MHz	
X5001	NAX0587-001X	CXO		
X8701	NAX0398-001X	C OSCILLATOR		EEFGJKLMMNPPQRS
OT1	LY30034-040A	SPACER(A)	IC8003	A,B,C,D
OT1	LY30034-041A	SPACER(A)	C6201	EEFGJKLMMNPPQRS
OT2	LY44158-001A	SHEET(SHIELD)		
OT3	LY44621-001A	SPACER	MIC WIRE	
OT4	LY44622-001A	SPACER	FRONT FFC	
OT5	LY30034-063A	SPACER(A)	BATT FPC	
OT6	LY30034-055A	SPACER(A)	JVM ONLY	
OT7	LY30034-055A	SPACER(A)	FOR J101	A,B,C,D
SD1	LY34062-001A	SHIELD CASE	PRE/REC	

### CCD BOARD ASSEMBLY <02>

Symbol No.	Part No.	Part Name	Description	Local
PW1	YB10458A-01	CCD BOARD ASSY		
Q5501	2SC3931/CD/-X	TRANSISTOR		
C5501	NBZ0003-475X	TA E CAPACITOR	4.7uF 20V M	
C5502	NCB21EK-104X	C CAPACITOR	0.1uF 25V K	
C5503	NBE21AM-106X	TA E CAPACITOR	10uF 10V M	
C5504	NCB31CK-104X	C CAPACITOR	0.1uF 16V K	
C5505	NCB21EK-104X	C CAPACITOR	0.1uF 25V K	
C5506	NCB31CK-104X	C CAPACITOR	0.1uF 16V K	
C5507	NCB31HK-222X	C CAPACITOR	2200pF 50V K	
R5501	NRSA63J-182X	MG RESISTOR	1.8kΩ 1/16W J	
R5503	NRSA63J-0R0X	MG RESISTOR	0Ω 1/16W J	
R5506	NRSA02J-0R0X	MG RESISTOR	0Ω 1/10W J	
R5507	NRSA63J-0R0X	MG RESISTOR	0Ω 1/16W J	
L5501	NQL38DK-100X	P COIL	10uH K	
L5502	NQL38DK-100X	P COIL	10uH K	

### MDA BOARD ASSEMBLY <03>

Symbol No.	Part No.	Part Name	Description	Local
PW1	YB10459A-01	MDA BOARD ASSY		

Symbol No.	Part No.	Part Name	Description	Local
△ IC1601	BD6637KV	IC	MDA 64PIN	
Q1601	UMC3N-W	DIGI TRANSISTOR	LD ON	
D1602	DAP222-X	DIODE ARRAY	LD OUT	
D1602	or MA132WA-X	SI DIODE		
D1603	DAP222-X	DIODE ARRAY	LD ON	
D1603	or MA132WA-X	SI DIODE		
D1604	DAP222-X	DIODE ARRAY	C.ERR-3V	
D1604	or MA132WA-X	SI DIODE		
C1601	NCBA1CK-103W	C CAPACITOR	0.01uF 16V K	
C1602	NBZ0015-106X	TA E CAPACITOR	10uF 6.3V M	
C1603	NBZ0015-106X	TA E CAPACITOR	10uF 6.3V M	
C1605	NCBA1AK-104W	C CAPACITOR	0.1uF 10V K	
C1606	NCBA1HK-152W	C CAPACITOR	1500pF 50V K	
C1607	NCBA1CK-473W	C CAPACITOR	0.047uF 16V K	
C1614	NBE91AM-475X	TA E CAPACITOR	4.7uF 10V M	
C1618	NCBA1HK-222W	C CAPACITOR	2200pF 50V K	
C1619	NCBA1HK-222W	C CAPACITOR	2200pF 50V K	
C1620	NCBA1HK-222W	C CAPACITOR	2200pF 50V K	
C1621	NCB30JK-105X	C CAPACITOR	1uF 6.3V K	
C1622	NCBA1CK-223W	C CAPACITOR	0.022uF 16V K	
C1623	NCBA1AK-473W	C CAPACITOR	0.047uF 10V K	
C1624	NCBA1CK-103W	C CAPACITOR	0.01uF 16V K	
C1625	NDCA1HJ-101W	C CAPACITOR	100pF 50V J	
C1626	NCBA1EK-472W	C CAPACITOR	4700pF 25V K	
C1627	NCBA1EK-472W	C CAPACITOR	4700pF 25V K	
C1628	NCB31CK-224X	C CAPACITOR	0.22uF 16V K	
C1629	NCJ31EK-224X-A	C CAPACITOR	0.22uF 25V K	
C1630	NCJ31EK-224X-A	C CAPACITOR	0.22uF 25V K	
C1631	NBZ0015-106X	TA E CAPACITOR	10uF 6.3V M	
C1632	NCB21CK-474X	C CAPACITOR	0.47uF 16V K	
C1633	NCB30JK-474X	C CAPACITOR	0.47uF 6.3V K	
R1601	NRSA6AJ-681W	MG RESISTOR	680Ω 1/16W J	
R1602	NRSA6AJ-124W	MG RESISTOR	120kΩ 1/16W J	
R1603	NRSA6AJ-472W	MG RESISTOR	4.7kΩ 1/16W J	
R1604	NRSA6AJ-104W	MG RESISTOR	100kΩ 1/16W J	
R1610	NRSA6AJ-391W	MG RESISTOR	390Ω 1/16W J	
R1611	NRSA6AJ-391W	MG RESISTOR	390Ω 1/16W J	
R1612	NRSA6AJ-104W	MG RESISTOR	100kΩ 1/16W J	
R1613	NRSA6AJ-102W	MG RESISTOR	1kΩ 1/16W J	
R1614	NRZ0072-R330X	MG RESISTOR	0.33Ω 1/4W F	
R1616	NRSA6AD-392W	MG RESISTOR	3.9kΩ 1/16W D	
R1617	NRZ0072-R330X	MG RESISTOR	0.33Ω 1/4W F	
R1620	NRSA6AJ-683W	MG RESISTOR	68kΩ 1/16W J	
R1621	NRSA6AJ-103W	MG RESISTOR	10kΩ 1/16W J	
R1622	NRSA6AJ-103W	MG RESISTOR	10kΩ 1/16W J	
R1624	NRSA6AD-183W	MG RESISTOR	18kΩ 1/16W D	
R1625	NRSA6AD-681W	MG RESISTOR	680Ω 1/16W D	
R1629	NRSA6AJ-564W	MG RESISTOR	560kΩ 1/16W J	
R1630	NRSA6AJ-0R0W	MG RESISTOR	0Ω 1/16W J	
R1631	NRSA6AJ-0R0W	MG RESISTOR	0Ω 1/16W J	
R1635	NRSA6AJ-332W	MG RESISTOR	3.3kΩ 1/16W J	
R1636	NRSA6AJ-123W	MG RESISTOR	12kΩ 1/16W J	
R1637	NRSA6AJ-154W	MG RESISTOR	150kΩ 1/16W J	
R1638	NRSA6AJ-0R0W	MG RESISTOR	0Ω 1/16W J	
R1639	NRSA02J-0R0X	MG RESISTOR	0Ω 1/10W J	
R1640	NRSA02J-0R0X	MG RESISTOR	0Ω 1/10W J	
R1641	NRSA6AJ-0R0W	MG RESISTOR	0Ω 1/16W J	
R1642	NRSA6AJ-0R0W	MG RESISTOR	0Ω 1/16W J	
L1601	NQL382M-100X	COIL	10uH M	
CN301	QGF0532F2-18X	CONNECTOR	CAPSTAN FFC/FPC (1-18)	
CN302	QGF0532F2-11X	CONNECTOR	DRUM MOTOR FFC/FPC (1-11)	
CN303	QGF0532F2-06X	CONNECTOR	RENCODER FFC/FPC (1-6)	
CN304	QGF0517F2-06X	CONNECTOR	LOAD MOTOR FFC/FPC (1-6)	
CN305	QGF0537F1-30X	CONNECTOR	MAIN PWB FFC/FPC (1-30)	
△ F1601	NMFZ007-R20X-K	FUSE	0.2A 50V	
△ F1602	NMFZ007-R50X-K	FUSE	0.5A 50V	
OT1	LY44587-001A	SHEET(MDA)	MECHA	
OT2	LY30034-080A	SPACER(A)	IC1601	
OT3	LY30034-036A	SPACER(A)	FOR IC1001	
OT4	LY30034-037A	SPACER(A)	FOR IC2201	
WR1	WJT0142-001B	E-CARD WIRE	MAIN PWB	



MODEL	MARK	MODEL	MARK	MODEL	MARK	MODEL	MARK
GR-DX27EK	A	GR-DX28EK	E	GR-DX37ER	J	GR-DX48EX	N
GR-DX27EX	B	GR-DX28EX	F	GR-DX37EX	K	GR-DX57EK	P
GR-DX27EY	C	GR-DX28EZ	G	GR-DX37EY	L	GR-DX57EX	Q
GR-DX27EZ	D	GR-DX37EK	H	GR-DX37EZ	M	GR-DX57EY	R
						GR-DX57EZ	S

### FRONT BOARD ASSEMBLY <04>

Symbol No.	Part No.	Part Name	Description	Local
PW1	YB10460A-01	FRONT BOARD ASSY		
IC401	RPM7138-S	IR DETECT UNIT	IR	
Q401	RPM-22PB	PHOTO TRANSISTOR	W/B	
Q6501	DTC114EM-X	DIGI TRANSISTOR		
Q6502	EMT1-W	PAIR TRANSISTOR		
Q6503	EMT1-W	PAIR TRANSISTOR		
Q6504	2SA2029/QRS/-X	TRANSISTOR		
D401	SML-211UT-X	LED	TALLY	
D6501	LWE67C/U2V45C/X	LED	WHITE	
D6502	LWE67C/U2V45C/X	LED	WHITE	
D6503	LWE67C/U2V45C/X	LED	WHITE	
D6504	LWE67C/U2V45C/X	LED	WHITE	
C401	NBXJ0JM-106X	TA E CAPACITOR		
C402	NCBA1AK-104W	C CAPACITOR	0.1uF 10V K	
R401	NRSA6AJ-152W	MG RESISTOR	1.5kΩ 1/16W J	
R402	NRSA6AJ-470W	MG RESISTOR	47Ω 1/16W J	
R6501	NRSA6AJ-561W	MG RESISTOR	560Ω 1/16W J	
R6502	NRSA6AJ-121W	MG RESISTOR	120Ω 1/16W J	
R6503	NRSA6AJ-120W	MG RESISTOR	12Ω 1/16W J	
R6504	NRSA6AJ-120W	MG RESISTOR	12Ω 1/16W J	
R6505	NRSA6AJ-120W	MG RESISTOR	12Ω 1/16W J	
R6506	NRSA6AJ-120W	MG RESISTOR	12Ω 1/16W J	
L401	NQR0265-001X	FERRITE BEADS		
BT401	QAB0040-001	LITHIUM BATTERY		
CN401	QGF0532F2-12X	CONNECTOR	MAIN PWB FFC/FPC (1-12)	
S401	NSW0122-001X	DETECT SWITCH	EJECT SW	
OT1	LY30034-038A	SPACER(A)	BT401	
OT2	LY30034-028A	SPACER(A)	Q401	
OT3	LY30034-042A	SPACER(A)	FOR FFC	

### MONITOR BOARD ASSEMBLY <05>

Symbol No.	Part No.	Part Name	Description	Local
PW1	YB10461A-02	MONITOR BOARD ASSY		
IC7601	CXA3657R	IC	SONY MT+VF	
IC7602	MM1613BN-X	IC	3.1V	
IC7604	DN8797MS-X	IC		
Q7501	2SD1664/QR/-W	TRANSISTOR		
Q7502	2SD1664/QR/-W	TRANSISTOR		
Q7503	DTA144EE-X	DIGI TRANSISTOR		
Q7503 or	RN2104-X	DIGI TRANSISTOR		
Q7503 or	UN9113J-X	DIGI TRANSISTOR		
Q7504	2SC4617/QR/-X	TRANSISTOR		
Q7504 or	2SC4738/YG/-X	TRANSISTOR		
D7601	UDZS5.6B-X	Z DIODE	1.5kΩ 1/10W J	
C7501	NCZ1016-150X	C CAPACITOR	15pF 2kV J	
C7502	NCZ1016-150X	C CAPACITOR	15pF 2kV J	
C7503	NFV41HJ-183X	MPPS CAPACITOR	0.018uF 50V J	
C7504	NCB31EK-103X	C CAPACITOR	0.01uF 25V K	
C7510	NCB10JK-106X	C CAPACITOR	10uF 6.3V K	
C7602	NCB31EK-103X	C CAPACITOR	0.01uF 25V K	
C7603	NCB30JK-105X	C CAPACITOR	1uF 6.3V K	
C7607	NBE20JM-106X	TA E CAPACITOR	10uF 6.3V M	
C7608	NCB31CK-223X	C CAPACITOR	0.022uF 16V K	
C7609	NBE21AM-335X	TA E CAPACITOR	3.3uF 10V M	
C7610	NCB31HK-682X	C CAPACITOR	6800pF 50V K	
C7611	NCB31CK-104X	C CAPACITOR	0.1uF 16V K	
C7612	NCB31EK-103X	C CAPACITOR	0.01uF 25V K	
C7613	NCB31CK-104X	C CAPACITOR	0.1uF 16V K	
C7614	NCB31CK-104X	C CAPACITOR	0.1uF 16V K	
C7615	NCB31CK-104X	C CAPACITOR	0.1uF 16V K	

Symbol No.	Part No.	Part Name	Description	Local
C7616	NCB31CK-104X	C CAPACITOR	0.1uF 16V K	
C7617	NBE21AM-106X	TA E CAPACITOR	10uF 10V M	
C7618	NCB20JM-475X	C CAPACITOR	4.7uF 6.3V M	
C7619	NCB20JM-475X	C CAPACITOR	4.7uF 6.3V M	
C7620	NCB21CK-474X	C CAPACITOR	0.47uF 16V K	
C7621	NCB21CK-105X	C CAPACITOR	1uF 16V K	
C7622	NCB20JM-475X	C CAPACITOR	4.7uF 6.3V M	
C7623	NCB31CK-104X	C CAPACITOR	0.1uF 16V K	
C7624	NCB31CK-104X	C CAPACITOR	0.1uF 16V K	
C7625	NBE20JM-106X	TA E CAPACITOR	10uF 6.3V M	
C7626	NCB31CK-104X	C CAPACITOR	0.1uF 16V K	
C7627	NCB31CK-104X	C CAPACITOR	0.1uF 16V K	
C7628	NCB31CK-104X	C CAPACITOR	0.1uF 16V K	
C7629	NCB21CK-105X	C CAPACITOR	1uF 16V K	
C7630	NCB21CK-105X	C CAPACITOR	1uF 16V K	
R7501	NRSA63J-102X	MG RESISTOR	1kΩ 1/16W J	
R7502	NRSA63J-102X	MG RESISTOR	1kΩ 1/16W J	
R7506	NRSA63J-473X	MG RESISTOR	47kΩ 1/16W J	
R7507	NRSA63J-473X	MG RESISTOR	47kΩ 1/16W J	
R7606	NRSA63J-0R0X	MG RESISTOR	0Ω 1/16W J	
R7608	NRSA63J-103X	MG RESISTOR	10kΩ 1/16W J	
R7609	NRSA63J-0R0X	MG RESISTOR	0Ω 1/16W J	
R7610	NRSA63J-0R0X	MG RESISTOR	0Ω 1/16W J	
R7611	NRSA63J-0R0X	MG RESISTOR	0Ω 1/16W J	
R7612	NRSA63J-0R0X	MG RESISTOR	0Ω 1/16W J	
R7613	NRSA63J-0R0X	MG RESISTOR	0Ω 1/16W J	
R7614	NRSA63J-100X	MG RESISTOR	10Ω 1/16W J	
R7615	NRSA63J-100X	MG RESISTOR	10Ω 1/16W J	
R7616	NRSA63J-100X	MG RESISTOR	10Ω 1/16W J	
R7618	NRSA63J-105X	MG RESISTOR	1MΩ 1/16W J	
L7501	NQL76EM-680X	COIL	68uH M	
L7502	NQL76EM-220X	COIL	22uH M	
L7601	NQL04DK-100X	COIL	10uH K	
L7602	NRSA02J-0R0X	MG RESISTOR	0Ω 1/10W J	
L7603	NQL38DK-101X	P COIL	100uH K	
L7604	NQL04DK-100X	COIL	10uH K	
△ T7501	NQS0060-001X	SW TARN SF		
CN7601	QGF0530F3-20W	CONNECTOR	MAIN FFC/FPC (1-20)	
CN7602	QGF0530F3-20W	CONNECTOR	MAIN FFC/FPC (1-20)	
CN7603	QGF0530F3-24W	CONNECTOR	LCD FFC/FPC (1-24)	
△ F7501	NMFZ007-R40X-K	FUSE	0.4A 50V	
OT1	LY44581-001A	SHEET(CUSHION)		
WR1	QAL0548-001	FPC		

### VF BOARD ASSEMBLY <06>

Symbol No.	Part No.	Part Name	Description	Local
PW1	YB10462A	VF BOARD ASSY		
Q7001	2SC4617/QR/-X	TRANSISTOR		
Q7001 or	2SC4738/YG/-X	TRANSISTOR		
D7001	E1S35AW0C501-X	LED		
D7002	UDZS5.6B-X	Z DIODE	1.5kΩ 1/10W J	
C7003	NCB31CK-104X	C CAPACITOR	0.1uF 16V K	
C7004	NCB21CK-105X	C CAPACITOR	1uF 16V K	
R7001	NRVA63D-682X	CMF RESISTOR	6.8kΩ 1/16W D	
R7002	NRVA63D-272X	CMF RESISTOR	2.7kΩ 1/16W D	
R7003	NRVA63D-390X	CMF RESISTOR	39Ω 1/16W D	
R7004	NRSA63J-105X	MG RESISTOR	1MΩ 1/16W J	
R7005	NRSA63J-0R0X	MG RESISTOR	0Ω 1/16W J	
R7006	NRSA63J-103X	MG RESISTOR	10kΩ 1/16W J	
CN7001	QGF0532F2-20X	CONNECTOR	MAIN FFC/FPC (1-20)	
CN7002	QGF0532F2-20X	CONNECTOR	LCD FFC/FPC (1-20)	