

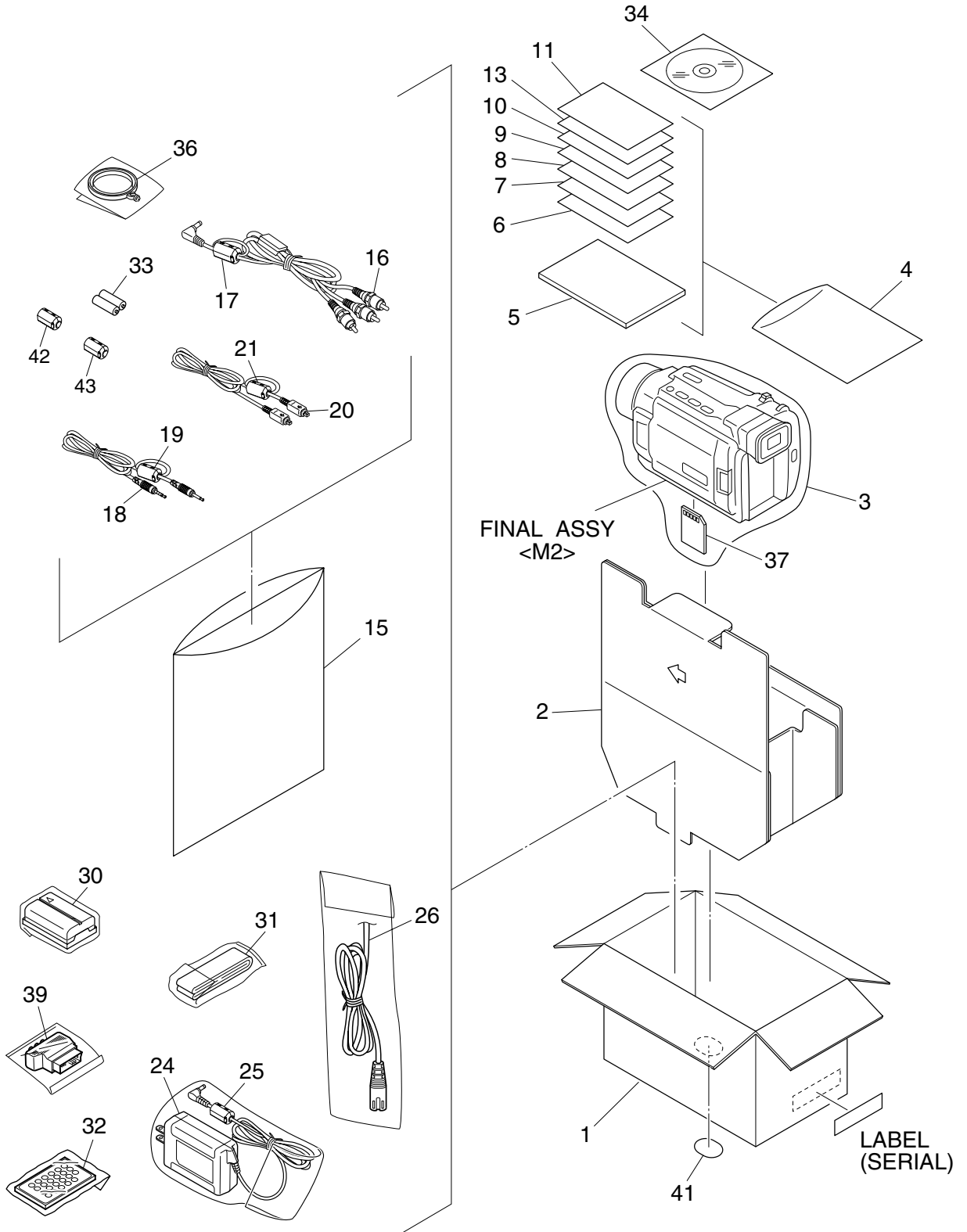
# SECTION 5 PARTS LIST

## SAFETY PRECAUTION

Parts identified by the ⚠ symbol are critical for safety. Replace only with specified part numbers.

### 5.1 PACKING AND ACCESSORY ASSEMBLY <M1>

The instruction manual to be provided with this product will differ according to the destination.



# △ REF No. PART No. PART NAME, DESCRIPTION  
 \*\*\*\*\*

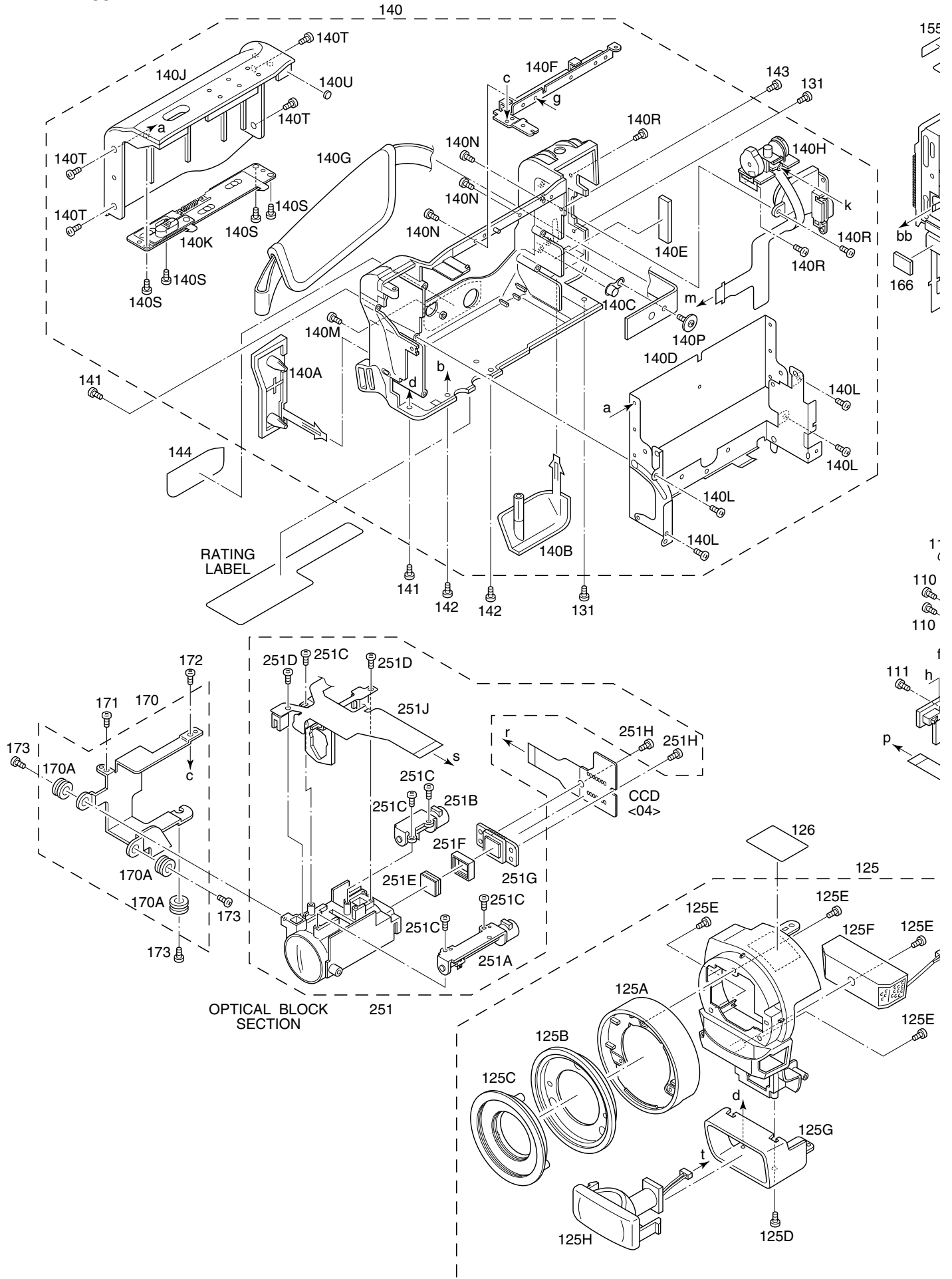
**PACKING AND ACCESSORY ASSEMBLY <M1>**

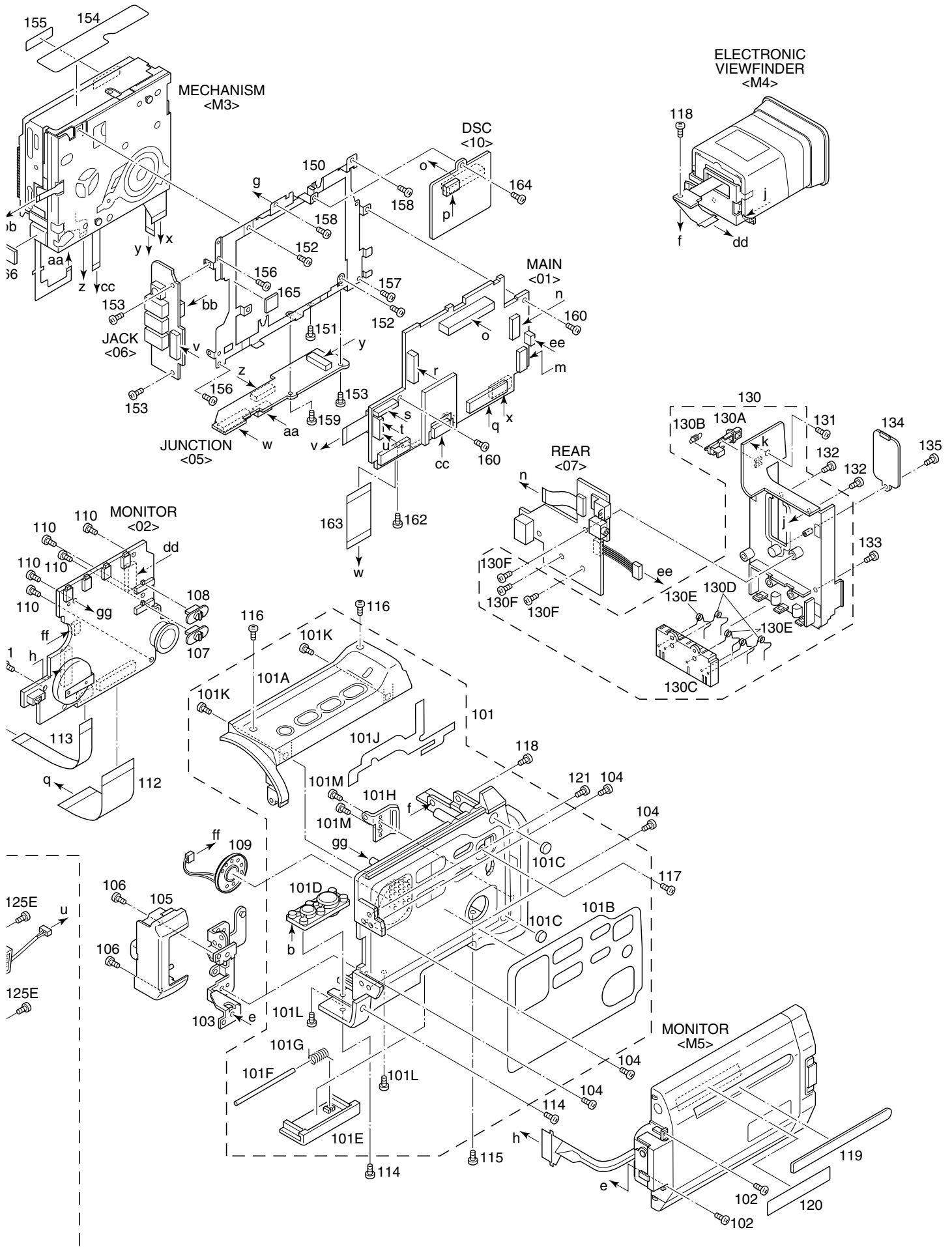
1	LY32567-003A	PACKING CASE,F
	LY32567-006B	PACKING CASE,A,B,C,D,E
2	LY32568-001A	CUSHION
3	LY30023-008A	POLY BAG
4	QPA02003506	POLY BAG,A,B,D,F
	YQM30061-3	POLY BAG,C,E
△ 5	LYT0909-002A	INST.BOOK(GE),A,B,D,F
△	LYT0909-003A	INST.BOOK(FR),A,D,F
△	LYT0909-004A	INST.BOOK(DU),A,D,F
△	LYT0909-005A	INST.BOOK(SP),A,D,F
△	LYT0909-006A	INST.BOOK(IT),A,D,F
△	LYT0909-007A	INST.BOOK(DA),B
△	LYT0909-008A	INST.BOOK(FI),B
△	LYT0909-009A	INST.BOOK(SW),B
△	LYT0909-010A	INST.BOOK(NO),B
△	LYT0910-001A	INST.BOOK(EN),C,E
△ 6	LYT0912-001A	INST.BOOK(SOFT.EN),C,E
△	LYT0912-002A	INST.BOOK(SOFT.GE),A,B,D,F
△	LYT0912-003A	INST.BOOK(SOFT.FR),A,D,F
△	LYT0912-004A	INST.BOOK(SOFT.DU),A,D,F
△	LYT0912-005A	INST.BOOK(SOFT.SP),A,D,F
△	LYT0912-006A	INST.BOOK(SOFT.IT),A,D,F
△	LYT0912-007A	INST.BOOK(SOFT.DA),B
△	LYT0912-008A	INST.BOOK(SOFT.FI),B
△	LYT0912-009A	INST.BOOK(SOFT.SW),B
△	LYT0912-010A	INST.BOOK(SOFT.NO),B
7	LYT0934-001A	SHEET(AGREMENT)
8	LYT0194-001B	Q.CARD(JUK),C,E
9	BT-54013-2	WARRANTY CARD,A,B,D,F
10	BT-54008-2	GUARANTY CARD,C,E
11	LYT0867-001A	PAMPHLET(EK),C,E
13	LYT0889-010A	SHEET(E.UE),B
15	QPA01703005	POLY BAG
16	QAM0212-001	CABLE ASSY,AUDIO/VIDEO CABLE
17	QQR0918-002	CORE FILTER
18	PEAC0428-150	CABLE ASSY,EDITING CABLE
19	QQR0491-002	CORE FILTER
20	QAM0324-001	USB CABLE
21	QQR0491-002	CORE FILTER
△ 24	LY20847-001C	AC ADAPTER,AP-V12EG
25	QQR0917-002	CORE FILTER
△ 26	QMPL120-190-JR	POWER CORD,A,B,D,F
△	QMPP110-190-JR	POWER CORD,C,E
△ 30	LY32566-001A	BATTERY PACK,BN-V408U-B
31	LY20186-001A	SHOULDER STRAP
32	LY20750-001A	REMOTE CONTROL UNIT,RM-V717U
33	-	BATTERY,AAA(R03),X2
34	LY32210-023A	CD ROM ASSY
36	LY43294-002A	CAP(HOOD)ASSY
37	QAM0404-002	MEMORY CARD,8MB(MMC)
39	QAM0302-001	ADAPTOR PLUG
41	LY43496-001A	STICKER(EK),C,E
42	QQR0919-002	CORE FILTER
43	QQR0491-002	CORE FILTER

MODEL	MARK
GR-DVL365EG-X	A
GR-DVL365EG-Y	B
GR-DVL365EK	C
GR-DVL367EG-X	D
GR-DVL367EK	E
GR-DVL567EG-X	F

- **INSTRUCTIONS**
- GE ..... GERMAN
- FR ..... FRENCH
- DU ..... DUTCH
- SP ..... SPANISH
- IT ..... ITALIAN
- EN ..... ENGLISH
- DA ..... DANISH
- FI ..... FINNISH
- SW ..... SWEDISH
- NO ..... NORWEGIAN

5.2 FINAL ASSEMBLY <M2>

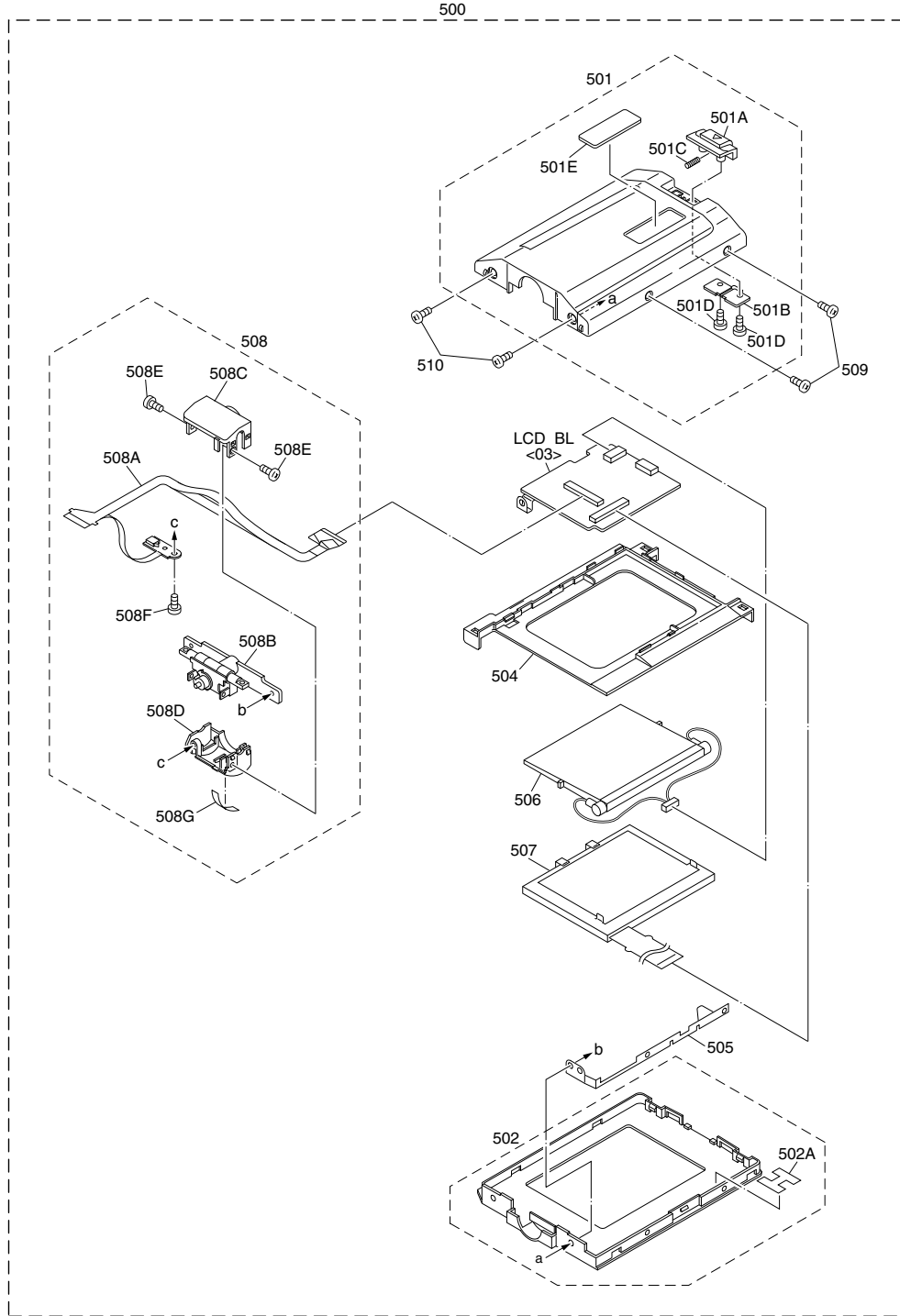




#	△ REF No.	PART No.	PART NAME, DESCRIPTION
*****			
<b>FINAL ASSEMBLY &lt;M2&gt;</b>			
101		LY20774-005B	UPPER CASE(2.5)ASSY,A,B,C,D,E
		LY20797-004B	UPPER CASE(3.5)ASSY,F
101A		LY20775-001A	TOP COVER(2.5),A,B,C,D,E
		LY20776-001A	TOP COVER(3.5),F
101B		LY32371-003A	PLATE(UPPER)
101C		LY40664-001A	SPACER,X2
101D		LY31019-001A	BASE
101E		LY32375-001A	COVER(SD)
101F		LY43292-001A	SHAFT
101G		LY43293-001A	SPRING
101H		LY43261-001A	HOOK(UPPER)
101J		LY43540-001A	EARTH SHEET(2.5),A,B,C,D,E
		LY43541-001A	EARTH SHEET(3.5),F
101K		LY30018-023A	SPECIAL SCREW,X2
101L		LY30018-084A	SPECIAL SCREW,X2
101M		LY30018-038A	SPECIAL SCREW,X2,F
		LY30018-084A	SPECIAL SCREW,X2,A,B,C,D,E
102		LY30018-0D6A	SPECIAL SCREW,X2
103		LY32373-001A	BRACKET(MONITOR)
104		LY30018-066A	SPECIAL SCREW,X4
105		LY20777-001A	COVER(HINGE)
106		LY30018-047A	SPECIAL SCREW,X2
107		LY43263-001A	KNOB(SLIDE)
108		LY43263-002A	KNOB(SLIDE)
109		QAS0048-001	SPEAKER
110		LY30018-023A	SPECIAL SCREW,X5
111		LY30018-047A	SPECIAL SCREW
112		QUQ105-4007AA	FFC WIRE,MONI CN761-MAIN CN101
113		QUQ105-1011AA	FFC WIRE,MONI CN762-DSC CN8002
114		LY30018-084A	SPECIAL SCREW,X2
115		LY30018-084A	SPECIAL SCREW
116		LY30018-047A	SPECIAL SCREW,X2
117		LY30018-047A	SPECIAL SCREW
118		LY30018-064A	SPECIAL SCREW,X2
119		LY32378-009A	WINDOW(MONI2.5),A,B,C,D,E
		LY32379-005A	WINDOW(MONI3.5),F
120		LY43566-003A	STICKER(SIDE),D,E,F
		LY43566-005A	STICKER(SIDE),A,B,C
121		LY30018-084A	SPECIAL SCREW
125		LY32382-003A	FRONT COVER ASSY
125A		LY32383-001A	HOOD
125B		LY32384-001A	RING
125C		LY32385-001A	HOOD(SCREW)
125D		LY30018-084A	SPECIAL SCREW
125E		LY30018-0A7A	SPECIAL SCREW,X4
125F		LY32343-001A	MIC
125G		LY32388-001A	BASE(LIGHT)
125H		LY32338-001A	DC LIGHT ASSY
126		LY43567-003A	STICKER(TOP)
130		LY10317-001A	REAR UNIT
130A		LY32408-001A	KNOB(BATT.RELE)
130B		LY30001-018A	TENSION SPRING
130C		LY32409-001A	TERMINAL BASE
130D		LY43291-001A	TERMINAL(R),X2
130E		LY43290-001A	TERMINAL(L),X3
130F		LY30018-084A	SPECIAL SCREW,X3
131		LY30018-084A	SPECIAL SCREW,X3
132		LY30018-0C9A	SPECIAL SCREW,X2
133		LY30018-0C9A	SPECIAL SCREW
134		LY41691-001A	COVER(JIG)
135		LY30018-037A	SPECIAL SCREW
140		LY20769-004C	LOWER CASE ASSY

#	△ REF No.	PART No.	PART NAME, DESCRIPTION
140A		LY32363-001A	COVER(JACK)
140B		LY32364-001A	COVER(DC)
140C		LY40592-001A	CAP(GRIP BELT)
140D		LY20770-001A	ARM ASSY
140E		LY30029-0T9A	SPACER(A)
140F		LY32365-001A	PLATE
140G		LY20780-001A	GRIP BELT
140H		LY10304-001A	ZOOM UNIT
140J		LY10309-001A	CASSETTE COVER
140K		LY43254-001B	LOCK ASSY
140L		LY30018-084A	SPECIAL SCREW,X4
140M		LY30018-038A	SPECIAL SCREW
140N		LY30018-038A	SPECIAL SCREW,X3
140P		LY30018-0D1A	SPECIAL SCREW
140R		LY30018-084A	SPECIAL SCREW,X3
140S		LY30018-023A	SPECIAL SCREW,X4
140T		LY30018-038A	SPECIAL SCREW,X4
140U		LY43609-001A	SPACER(B)
141		LY30018-084A	SPECIAL SCREW,X2
142		LY30018-084A	SPECIAL SCREW,X2
143		LY30018-0C9A	SPECIAL SCREW
144		LY43256-001A	PLATE(ADJUST)
150		LY20778-001A	BRACKET(MECHA)
151		YQ43893-4	MINI SCREW
152		LY30019-026A	SPECIAL SCREW,X2
153		QYSPSPT1730R	SCREW,X3
154		LY40698-002A	LABEL(HOUSING)
155		LY40699-002A	LABEL(PUSH)
156		LY30018-084A	SPECIAL SCREW,X2
157		LY30018-066A	SPECIAL SCREW
158		LY30018-066A	SPECIAL SCREW,X2
159		LY30018-038A	SPECIAL SCREW
160		LY30019-038A	SPECIAL SCREW,X2
162		YQ43893-4	MINI SCREW
163		WJT0066-001A	E-CARD WIRE,MAIN CN113-JUNC CN571
164		LY30019-038A	SPECIAL SCREW
165		LY30029-0V6A	SPACER(A)
166		LY30029-0X1A	SPACER(A)
170		LY43257-001B	BRACKET(OP)ASSY
170A		LY42796-001A	BUSH,X3
171		LY30018-084A	SPECIAL SCREW
172		LY30018-066A	SPECIAL SCREW
173		LY30019-029B	SPECIAL SCREW,X3
<b>- OPTICAL BLOCK SECTION -</b>			
251		J7A-253A	OPTICAL BLOCK ASSY
251A		LY30723-001B	ZOOM MOTOR
251B		LY30724-001B	FOCUS MOTOR
251C		LY30727-002A	SCREW,X5
251D		LY30727-001A	SCREW,X2
251E		LY42936-001A	OPTICAL LPF
251F		LY31639-003A	SPACER RUBBER
251G		LYH30375-004A	CCD BASE ASSY
251H		QYSPSGU1750Z	SCREW,X2
251J		LY32560-001A	IRIS MOTOR

5.3 MONITOR ASSEMBLY <M5> [GR-DVL567EG]



# ▲ REF No. PART No. PART NAME, DESCRIPTION  
 \*\*\*\*\*

**MONITOR ASSEMBLY <M5>**

#	REF No.	PART No.	PART NAME, DESCRIPTION
500	LYH20246-037B		MONITOR ASSY
501	LY20809-002A		MONITOR COVER(3.5)ASSY
501A	LY31620-004A		KNOB(LOCK 1)
501B	LY42180-002A		KNOB(LOCK 2)
501C	LY30002-044A		COMPRESSION SPRING
501D	LY30018-084A		SPECIAL SCREW,X2
501E	LY42883-001A		MARK
502	LY20598-002A		MONITOR CASE ASSY
502A	LY42388-001A		EARTH MON(2)
504	LY20568-001A		HOLDER(3.5PWB)

# ▲ REF No. PART No. PART NAME, DESCRIPTION

505	LY31622-001A	BRACKET(EARTH)
506	QLL0115-001	BACK LIGHT
507	QLD0203-001	LCD MODULE
508	LY32695-001A	MONITOR FPC ASSY
508A	LY32574-001A	MONITOR FPC ASSY
508B	LY32079-001A	HINGE ASSY
508C	LY32380-001A	HINGE COVER(U)
508D	LY32381-001A	HINGE COVER(L)
508E	LY30018-058A	SPECIAL SCREW,X2
508F	LY30018-023A	SPECIAL SCREW
508G	LY30029-0Q5A	SPACER(A)
509	QYSPST1730R	SCREW,X2
510	LY30018-0F2A	SPECIAL SCREW,X2

## 5.4 ELECTRICAL PARTS LIST

#	△	REF No.	PART No.	PART NAME, DESCRIPTION	#	△	REF No.	PART No.	PART NAME, DESCRIPTION	
*****										
<b>MAIN BOARD ASSEMBLY &lt;01&gt;</b>										
			PW	YB10359PB-03				Q1009	DTC144EE	DIGI TRANSISTOR
				YB10359QD-03					or PDTC144EE	DIGI TRANSISTOR
			IC1001	UPD703039F1-A26					or UN9213J	DIGI TRANSISTOR
				or UPD70F3040F1A26				Q1301	2SC4617/QR/-X	TRANSISTOR
			IC1002	RS5C314					or 2SD2216J/QR/-X	TRANSISTOR
			IC1003	X25170S8I-2.5-X				Q1401	DTA114EE	DIGI TRANSISTOR
				or CAT25C16SI					or PDTA114EE	DIGI TRANSISTOR
				or 25LC160-I/SN-X					or RN2102	DIGI TRANSISTOR
				or AT25160N-10SC-X					or UN9111J	DIGI TRANSISTOR
			IC1004	TC7S556FU				Q1402	UMC3N	DIGI TRANSISTOR
			IC1005	TC7S00FU				Q1403	UMC3N	DIGI TRANSISTOR
				or SN74AHC1G00K				Q1601	UMC3N	DIGI TRANSISTOR
			IC1006	MB90097PFV145				Q2001	UMX1N	PAIR TRANSISTOR
			IC1007	TC74VHC08FT				Q2002	2SC4617/RS/-X	TRANSISTOR
				or SN74LV08APW					or 2SD2216J/RS/-X	TRANSISTOR
			IC1008	IC-PST3423U-X				Q2101	2SC4617/RS/-X	TRANSISTOR
			IC1303	SN74LV02APW					or 2SD2216J/RS/-X	TRANSISTOR
			IC1401	UPD703040YF-M09				Q2102	2SC4617/RS/-X	TRANSISTOR
				UPD703040YF-M06					or 2SD2216J/RS/-X	TRANSISTOR
				or UPD70F3040YFM09				Q2103	DTC144EE	DIGI TRANSISTOR
				or UPD70F3040YFM06					or UN9213J	DIGI TRANSISTOR
△			IC1601	BD6631KV				Q2501	UMX18N	PAIR TRANSISTOR
			IC1602	TC7W14FU				Q3701	UMT2N	PAIR TRANSISTOR
				or SN74AHC2G14T					or XP6401	TRANSISTOR
			IC2001	AK4560AVQ				Q3702	UMZ1N	PAIR TRANSISTOR
			IC2501	AK4550VT					or XP4601	TRANSISTOR
			IC3001	JCY0152				Q4301	UMT2N	PAIR TRANSISTOR
			IC3004	MC74VHC1G04DF					or XP6401	TRANSISTOR
			IC3007	JCY0174				Q4302	UMT2N	PAIR TRANSISTOR
			IC3501	JCY0132					or XP6401	TRANSISTOR
			IC3502	SN74AHC1G04K				Q4801	2SC4655/BC/-X	TRANSISTOR
			IC3701	BA7665FS				Q4802	2SC4617/RS/-X	TRANSISTOR
			IC4201	HD49334F				Q4803	DTC143EE	DIGI TRANSISTOR
			IC4202	MM1385HN				Q4804	DTA144EE	DIGI TRANSISTOR
			IC4301	JCY0158				Q4805	DTA143EE	DIGI TRANSISTOR
			IC4302	TMS4C2973-28-X				Q4806	2SC4617/QR/-X	TRANSISTOR
			IC4802	TA75W01FU				Q4851	2SC4617/RS/-X	TRANSISTOR
			IC4803	TA75W01FU				Q6001	DTC144EE	DIGI TRANSISTOR
			IC4804	LM358DR2					or PDTC144EE	DIGI TRANSISTOR
			IC4851	UPD16879GS					or RN1104	DIGI TRANSISTOR
			IC5501	JCY0117					or UN9213J	DIGI TRANSISTOR
			IC6001	S-80842ANNP-W				Q6002	MCH6613	MOS FET
				or S-80842CNNB-W				Q6004	2SB1188/QR/-W	TRANSISTOR
			IC6101	FA3698F				Q6201	MCH3308	MOS FET
			Q1001	DTC124EE				Q6202	2SA1577/RS/-X	TRANSISTOR
				or UN9212J				Q6203	MCH3308	MOS FET
			Q1002	2SC4617/QR/-X				Q6204	CPH3314	MOS FET
				or 2SD2216J/QR/-X				Q6205	CPH3101	TRANSISTOR
			Q1003	DTC143EE				Q6206	2SC4617/RS/-X	TRANSISTOR
				or UN921LJ				Q6207	2SD2444K	TRANSISTOR
			Q1005	2SJ347				Q6208	MCH3308	MOS FET
			Q1006	DTA114EE				Q6210	MCH3308	MOS FET
				or PDTA114EE				Q6211	MCH3308	MOS FET
				or UN9111J				Q6212	HN1C01FU/G/-X	PAIR TRANSISTOR
			Q1007	DTC144EE					or PUMX1	PAIR TRANSISTOR
				or PDTC144EE					or UMX1N	PAIR TRANSISTOR
				or UN9213J				Q6213	2SA1577/RS/-X	TRANSISTOR
			Q1008	DTA114EE				Q6214	DTC144EE	DIGI TRANSISTOR
				or PDTA114EE					or PDTC144EE	DIGI TRANSISTOR
				or UN9111J					or RN1104	DIGI TRANSISTOR
									or UN9213J	DIGI TRANSISTOR
								Q6215	HN1A01FU/G/-X	PAIR TRANSISTOR
									or PUMT1	PAIR TRANSISTOR
									or UMT1N	PAIR TRANSISTOR

#	△ REF No.	PART No.	PART NAME, DESCRIPTION	#	△ REF No.	PART No.	PART NAME, DESCRIPTION
		Q6216	2SC4617/RS-X	TRANSISTOR	R1050	NRSA6AJ-223W	MG RESISTOR 22kΩ, 1/16W
		Q6217	UMZ1N	PAIR TRANSISTOR	R1051	NRSA6AJ-272W	MG RESISTOR 2.7kΩ, 1/16W
		Q6701	CPH3314	MOS FET	R1052	NRSA6AJ-183W	MG RESISTOR 18kΩ, 1/16W
		D1001	DA221	DIODE	R1053	NRSA6AJ-154W	MG RESISTOR 150kΩ, 1/16W
		D1301	1SS376	DIODE	R1054	NRSA6AJ-473W	MG RESISTOR 47kΩ, 1/16W
		D1302	1SS376	DIODE	R1055	NRSA6AJ-103W	MG RESISTOR 10kΩ, 1/16W
		D1602	DAP222	DIODE	R1056	NRSA6AJ-472W	MG RESISTOR 4.7kΩ, 1/16W
		D1603	DAP222	DIODE	R1057	NRSA6AJ-473W	MG RESISTOR 47kΩ, 1/16W
		D1604	DAP222	DIODE	R1058	NRSA6AJ-222W	MG RESISTOR 2.2kΩ, 1/16W
		D3001	EC2C01C	VARI CAP DIODE	R1060	NRSA6AJ-473W	MG RESISTOR 47kΩ, 1/16W
		D3002	EC2C01C	VARI CAP DIODE	R1066	NRSA6AJ-473W	MG RESISTOR 47kΩ, 1/16W
		D3003	EC2C01C	VARI CAP DIODE	R1071	NRSA6AJ-474W	MG RESISTOR 470kΩ, 1/16W
		D3004	MA2Z720	SB DIODE	R1072	NRSA6AJ-104W	MG RESISTOR 100kΩ, 1/16W
		D5501	1SS355	DIODE	R1076	NRSA6AJ-0R0W	MG RESISTOR 0Ω, 1/16W
△	D6002	RB715F	SB DIODE	R1077	NRSA6AJ-0R0W	MG RESISTOR 0Ω, 1/16W	
		D6201	CRS01	SB DIODE	R1078	NRSA6AJ-102W	MG RESISTOR 1kΩ, 1/16W
		D6202	CRS01	SB DIODE	R1079	NRSA6AJ-102W	MG RESISTOR 1kΩ, 1/16W
		D6203	CRS01	SB DIODE	R1080	NRSA6AJ-102W	MG RESISTOR 1kΩ, 1/16W
		D6204	CRS01	SB DIODE	R1081	NRSA6AJ-103W	MG RESISTOR 10kΩ, 1/16W
		D6205	CRS01	SB DIODE	R1082	NRSA6AJ-103W	MG RESISTOR 10kΩ, 1/16W
		D6206	RB480Y	SB DIODE	R1083	NRSA6AJ-103W	MG RESISTOR 10kΩ, 1/16W
		D6207	UDZS9.1B	ZENER DIODE	R1302	NRSA6AJ-472W	MG RESISTOR 4.7kΩ, 1/16W
		D6208	RB480Y	SB DIODE	R1306	NRSA6AJ-472W	MG RESISTOR 4.7kΩ, 1/16W
		D6701	EP10HY03	SB DIODE	R1307	NRSA6AJ-0R0W	MG RESISTOR 0Ω, 1/16W
		D6702	EP10HY03	SB DIODE	R1308	NRSA6AJ-0R0W	MG RESISTOR 0Ω, 1/16W
		R101	NRSA63J-0R0X	MG RESISTOR 0Ω, 1/16W	R1401	NRSA6AJ-105W	MG RESISTOR 1MΩ, 1/16W
		R102	NRSA63J-0R0X	MG RESISTOR 0Ω, 1/16W	R1402	NRSA6AJ-102W	MG RESISTOR 1kΩ, 1/16W
		R1001	NRSA6AJ-104W	MG RESISTOR 100kΩ, 1/16W	R1403	NRSA6AJ-103W	MG RESISTOR 10kΩ, 1/16W
		R1002	NRSA6AJ-224W	MG RESISTOR 220kΩ, 1/16W	R1404	NRSA6AJ-472W	MG RESISTOR 4.7kΩ, 1/16W
		R1003	NRSA6AJ-472W	MG RESISTOR 4.7kΩ, 1/16W	R1405	NRSA6AJ-332W	MG RESISTOR 3.3kΩ, 1/16W
		R1004	NRSA6AJ-103W	MG RESISTOR 10kΩ, 1/16W	R1406	NRSA6AJ-332W	MG RESISTOR 3.3kΩ, 1/16W
		R1005	NRSA6AJ-153W	MG RESISTOR 15kΩ, 1/16W	R1407	NRSA6AJ-332W	MG RESISTOR 3.3kΩ, 1/16W
		R1006	NRSA6AJ-103W	MG RESISTOR 10kΩ, 1/16W	R1408	NRSA6AD-753W	MG RESISTOR 75kΩ, 1/16W
		R1007	NRSA6AJ-334W	MG RESISTOR 330kΩ, 1/16W	R1409	NRSA6AJ-334W	MG RESISTOR 330kΩ, 1/16W
		R1008	NRSA6AJ-102W	MG RESISTOR 1kΩ, 1/16W	R1411	NRSA6AJ-332W	MG RESISTOR 3.3kΩ, 1/16W
		R1009	NRSA6AJ-561W	MG RESISTOR 560Ω, 1/16W	R1412	NRSA6AJ-332W	MG RESISTOR 3.3kΩ, 1/16W
		R1010	NRSA6AJ-561W	MG RESISTOR 560Ω, 1/16W	R1413	NRSA6AJ-332W	MG RESISTOR 3.3kΩ, 1/16W
		R1015	NRSA6AJ-474W	MG RESISTOR 470kΩ, 1/16W	R1414	NRSA6AJ-332W	MG RESISTOR 3.3kΩ, 1/16W
		R1016	NRSA6AJ-473W	MG RESISTOR 47kΩ, 1/16W	R1415	NRSA6AJ-472W	MG RESISTOR 4.7kΩ, 1/16W
		R1017	NRSA6AJ-561W	MG RESISTOR 560Ω, 1/16W	R1416	NRSA6AJ-472W	MG RESISTOR 4.7kΩ, 1/16W
		R1018	NRSA6AJ-103W	MG RESISTOR 10kΩ, 1/16W	R1417	NRSA6AJ-101W	MG RESISTOR 100Ω, 1/16W
		R1019	NRSA6AJ-623W	MG RESISTOR 62kΩ, 1/16W	R1420	NRSA6AJ-473W	MG RESISTOR 47kΩ, 1/16W
		R1020	NRSA6AJ-331W	MG RESISTOR 330Ω, 1/16W	R1421	NRSA6AJ-103W	MG RESISTOR 10kΩ, 1/16W
		R1021	NRSA6AJ-331W	MG RESISTOR 330Ω, 1/16W	R1422	NRSA6AJ-153W	MG RESISTOR 15kΩ, 1/16W
		R1022	NRSA6AJ-331W	MG RESISTOR 330Ω, 1/16W	R1423	NRSA6AJ-820W	MG RESISTOR 82Ω, 1/16W
		R1023	NRSA6AJ-103W	MG RESISTOR 10kΩ, 1/16W	R1424	NRSA6AJ-104W	MG RESISTOR 100kΩ, 1/16W
		R1024	NRSA6AJ-823W	MG RESISTOR 82kΩ, 1/16W	R1425	NRSA6AJ-473W	MG RESISTOR 47kΩ, 1/16W
		R1026	NRSA6AJ-104W	MG RESISTOR 100kΩ, 1/16W	R1601	NRSA6AJ-681W	MG RESISTOR 680Ω, 1/16W
		R1027	NRSA6AJ-104W	MG RESISTOR 100kΩ, 1/16W	R1602	NRSA6AJ-124W	MG RESISTOR 120kΩ, 1/16W
		R1028	NRSA6AJ-185W	MG RESISTOR 1.8MΩ, 1/16W	R1603	NRSA6AJ-472W	MG RESISTOR 4.7kΩ, 1/16W
		R1029	NRSA6AJ-473W	MG RESISTOR 47kΩ, 1/16W	R1604	NRSA6AJ-104W	MG RESISTOR 100kΩ, 1/16W
		R1030	NRSA6AJ-104W	MG RESISTOR 100kΩ, 1/16W	R1605	NRV142F-R22X	CMF RESISTOR 0.22Ω, 1/4W
		R1031	NRSA6AJ-102W	MG RESISTOR 1kΩ, 1/16W	R1609	NRV142F-R33X	CMF RESISTOR 0.33Ω, 1/4W
		R1032	NRSA6AJ-104W	MG RESISTOR 100kΩ, 1/16W	R1610	NRSA6AJ-471W	MG RESISTOR 470Ω, 1/16W
		R1036	NRSA6AJ-102W	MG RESISTOR 1kΩ, 1/16W	R1611	NRSA6AJ-471W	MG RESISTOR 470Ω, 1/16W
		R1037	NRSA6AJ-103W	MG RESISTOR 10kΩ, 1/16W	R1612	NRSA6AJ-104W	MG RESISTOR 100kΩ, 1/16W
		R1038	NRSA6AJ-104W	MG RESISTOR 100kΩ, 1/16W	R1613	NRSA6AJ-102W	MG RESISTOR 1kΩ, 1/16W
		R1039	NRSA6AJ-103W	MG RESISTOR 10kΩ, 1/16W	R1614	NRSA6AJ-102W	MG RESISTOR 1kΩ, 1/16W
		R1044	NRSA6AJ-123W	MG RESISTOR 12kΩ, 1/16W	R1615	NRSA6AJ-102W	MG RESISTOR 1kΩ, 1/16W
		R1045	NRSA6AJ-822W	MG RESISTOR 8.2kΩ, 1/16W	R1616	NRSA6AJ-391W	MG RESISTOR 390Ω, 1/16W
		R1046	NRSA6AJ-103W	MG RESISTOR 10kΩ, 1/16W	R1617	NRSA6AJ-683W	MG RESISTOR 68kΩ, 1/16W
		R1047	NRSA6AJ-473W	MG RESISTOR 47kΩ, 1/16W	R1618	NRSA6AJ-683W	MG RESISTOR 68kΩ, 1/16W
		R1048	NRSA6AJ-104W	MG RESISTOR 100kΩ, 1/16W	R1619	NRSA6AJ-393W	MG RESISTOR 39kΩ, 1/16W
		R1049	NRSA6AJ-393W	MG RESISTOR 39kΩ, 1/16W	R1620	NRSA6AJ-103W	MG RESISTOR 10kΩ, 1/16W



#	△ REF No.	PART No.	PART NAME, DESCRIPTION	#	△ REF No.	PART No.	PART NAME, DESCRIPTION
R1621		NRSA6AJ-103W	MG RESISTOR 10kΩ,1/16W	R2508		NRSA6AJ-223W	MG RESISTOR 22kΩ,1/16W
R1622		NRSA6AJ-103W	MG RESISTOR 10kΩ,1/16W	R2509		NRSA6AJ-564W	MG RESISTOR 560kΩ,1/16W
R1624		NRVA6AD-123W	CMF RESISTOR 12kΩ,1/16W	R2510		NRSA6AJ-564W	MG RESISTOR 560kΩ,1/16W
R1625		NRSA6AJ-181W	MG RESISTOR 180Ω,1/16W	R2511		NRSA6AJ-103W	MG RESISTOR 10kΩ,1/16W
R1626		NRSA6AJ-181W	MG RESISTOR 180Ω,1/16W	R2512		NRSA6AJ-103W	MG RESISTOR 10kΩ,1/16W
R1628		NRVA6AD-271W	CMF RESISTOR 270Ω,1/16W	R2513		NRSA6AJ-332W	MG RESISTOR 3.3kΩ,1/16W
R1629		NRSA6AJ-564W	MG RESISTOR 560kΩ,1/16W	R3002		NRSA6AJ-103W	MG RESISTOR 10kΩ,1/16W
R1630		NRSA6AJ-0R0W	MG RESISTOR 0Ω,1/16W	R3003		NRSA6AJ-105W	MG RESISTOR 1MΩ,1/16W
R1631		NRSA6AJ-0R0W	MG RESISTOR 0Ω,1/16W	R3004		NRSA6AJ-103W	MG RESISTOR 10kΩ,1/16W
R1635		NRSA6AJ-472W	MG RESISTOR 4.7kΩ,1/16W	R3005		NRSA6AJ-100W	MG RESISTOR 10Ω,1/16W
R1636		NRSA6AJ-103W	MG RESISTOR 10kΩ,1/16W	R3006		NRSA6AJ-100W	MG RESISTOR 10Ω,1/16W
R1637		NRSA6AJ-154W	MG RESISTOR 150kΩ,1/16W	R3007		NRSA6AJ-562W	MG RESISTOR 5.6kΩ,1/16W
R2001		NRSA6AJ-0R0W	MG RESISTOR 0Ω,1/16W	R3008		NRSA6AJ-222W	MG RESISTOR 2.2kΩ,1/16W
R2005		NRSA6AJ-104W	MG RESISTOR 100kΩ,1/16W	R3009		NRSA6AJ-103W	MG RESISTOR 10kΩ,1/16W
R2006		NRSA6AJ-100W	MG RESISTOR 10Ω,1/16W	R3010		NRSA6AJ-103W	MG RESISTOR 10kΩ,1/16W
R2007		NRSA6AJ-102W	MG RESISTOR 1kΩ,1/16W	R3011		NRSA6AJ-224W	MG RESISTOR 220kΩ,1/16W
R2008		NRSA6AJ-102W	MG RESISTOR 1kΩ,1/16W	R3013		NRSA6AJ-242W	MG RESISTOR 2.4kΩ,1/16W
R2009		NRSA6AJ-332W	MG RESISTOR 3.3kΩ,1/16W	R3014		NRSA6AJ-392W	MG RESISTOR 3.9kΩ,1/16W
R2014		NRSA6AJ-820W	MG RESISTOR 82Ω,1/16W	R3015		NRSA6AJ-392W	MG RESISTOR 3.9kΩ,1/16W
R2015		NRSA6AJ-820W	MG RESISTOR 82Ω,1/16W	R3016		NRVA6AD-560W	CMF RESISTOR 56Ω,1/16W
R2016		NRSA6AJ-820W	MG RESISTOR 82Ω,1/16W	R3017		NRVA6AD-560W	CMF RESISTOR 56Ω,1/16W
R2017		NRSA6AJ-102W	MG RESISTOR 1kΩ,1/16W	R3018		NRVA6AD-560W	CMF RESISTOR 56Ω,1/16W
R2018		NRSA6AJ-103W	MG RESISTOR 10kΩ,1/16W	R3019		NRVA6AD-560W	CMF RESISTOR 56Ω,1/16W
R2019		NRSA6AJ-2R7W	MG RESISTOR 2.7Ω,1/16W	R3020		NRVA6AD-512W	CMF RESISTOR 5.1kΩ,1/16W
R2020		NRSA6AJ-2R7W	MG RESISTOR 2.7Ω,1/16W	R3027		NRSA6AJ-103W	MG RESISTOR 10kΩ,1/16W
R2023		NRSA6AJ-102W	MG RESISTOR 1kΩ,1/16W	R3029		NRSA6AJ-682W	MG RESISTOR 6.8kΩ,1/16W
R2024		NRSA6AJ-183W	MG RESISTOR 18kΩ,1/16W	R3030		NRSA6AJ-224W	MG RESISTOR 220kΩ,1/16W
R2025		NRSA6AJ-104W	MG RESISTOR 100kΩ,1/16W	R3031		NRSA6AJ-224W	MG RESISTOR 220kΩ,1/16W
R2028		NRSA6AJ-224W	MG RESISTOR 220kΩ,1/16W	R3032		NRSA6AJ-105W	MG RESISTOR 1MΩ,1/16W
R2029		NRSA6AJ-0R0W	MG RESISTOR 0Ω,1/16W	R3033		NRSA6AJ-103W	MG RESISTOR 10kΩ,1/16W
R2103		NRSA6AJ-153W	MG RESISTOR 15kΩ,1/16W	R3034		NRSA6AJ-222W	MG RESISTOR 2.2kΩ,1/16W
R2104		NRSA6AJ-153W	MG RESISTOR 15kΩ,1/16W	R3036		NRSA6AJ-103W	MG RESISTOR 10kΩ,1/16W
R2105		NRSA6AJ-472W	MG RESISTOR 4.7kΩ,1/16W	R3037		NRSA6AJ-681W	MG RESISTOR 680Ω,1/16W
R2106		NRSA6AJ-472W	MG RESISTOR 4.7kΩ,1/16W	R3040		NRSA6AJ-222W	MG RESISTOR 2.2kΩ,1/16W
R2107		NRSA6AJ-153W	MG RESISTOR 15kΩ,1/16W	R3041		NRSA6AJ-561W	MG RESISTOR 560Ω,1/16W
R2108		NRSA6AJ-153W	MG RESISTOR 15kΩ,1/16W	R3042		NRSA6AJ-561W	MG RESISTOR 560Ω,1/16W
R2109		NRSA6AJ-182W	MG RESISTOR 1.8kΩ,1/16W	R3043		NRSA6AJ-122W	MG RESISTOR 1.2kΩ,1/16W
R2110		NRSA6AJ-182W	MG RESISTOR 1.8kΩ,1/16W	R3044		NRSA6AJ-152W	MG RESISTOR 1.5kΩ,1/16W
R2111		NRSA6AJ-153W	MG RESISTOR 15kΩ,1/16W	R3045		NRSA6AJ-123W	MG RESISTOR 12kΩ,1/16W
R2112		NRSA6AJ-153W	MG RESISTOR 15kΩ,1/16W	R3046		NRSA6AJ-823W	MG RESISTOR 82kΩ,1/16W
R2113		NRSA6AJ-222W	MG RESISTOR 2.2kΩ,1/16W	R3049		NRSA6AJ-100W	MG RESISTOR 10Ω,1/16W
R2114		NRSA6AJ-222W	MG RESISTOR 2.2kΩ,1/16W	R3051		NRSA6AJ-0R0W	MG RESISTOR 0Ω,1/16W
R2115		NRSA6AJ-472W	MG RESISTOR 4.7kΩ,1/16W	R3057		NRSA6AJ-100W	MG RESISTOR 10Ω,1/16W
R2116		NRSA6AJ-472W	MG RESISTOR 4.7kΩ,1/16W	R3059		NRSA6AJ-101W	MG RESISTOR 100Ω,1/16W
R2117		NRSA6AJ-472W	MG RESISTOR 4.7kΩ,1/16W	R3071		NRSA6AJ-0R0W	MG RESISTOR 0Ω,1/16W
R2118		NRSA6AJ-472W	MG RESISTOR 4.7kΩ,1/16W	R3074		NRSA6AJ-0R0W	MG RESISTOR 0Ω,1/16W
R2119		NRSA6AJ-332W	MG RESISTOR 3.3kΩ,1/16W	R3501		NRSA6AJ-471W	MG RESISTOR 470Ω,1/16W
R2120		NRSA6AJ-332W	MG RESISTOR 3.3kΩ,1/16W	R3502		NRSA6AJ-104W	MG RESISTOR 100kΩ,1/16W
R2121		NRSA6AJ-473W	MG RESISTOR 47kΩ,1/16W	R3503		NRSA6AJ-102W	MG RESISTOR 1kΩ,1/16W
R2122		NRSA6AJ-473W	MG RESISTOR 47kΩ,1/16W	R3504		NRSA6AD-241W	MG RESISTOR 240Ω,1/16W
R2123		NRSA6AJ-104W	MG RESISTOR 100kΩ,1/16W	R3505		NRSA6AD-241W	MG RESISTOR 240Ω,1/16W
R2124		NRSA6AJ-104W	MG RESISTOR 100kΩ,1/16W	R3506		NRSA6AD-241W	MG RESISTOR 240Ω,1/16W
R2125		NRSA6AJ-0R0W	MG RESISTOR 0Ω,1/16W	R3507		NRSA6AD-241W	MG RESISTOR 240Ω,1/16W
R2126		NRSA6AJ-0R0W	MG RESISTOR 0Ω,1/16W	R3508		NRSA6AJ-223W	MG RESISTOR 22kΩ,1/16W
R2129		NRSA6AJ-104W	MG RESISTOR 100kΩ,1/16W	R3511		NRSA6AJ-101W	MG RESISTOR 100Ω,1/16W
R2201		NRSA6AJ-122W	MG RESISTOR 1.2kΩ,1/16W	R3521		NRSA6AJ-0R0W	MG RESISTOR 0Ω,1/16W
R2202		NRSA6AJ-122W	MG RESISTOR 1.2kΩ,1/16W	R3522		NRSA6AJ-0R0W	MG RESISTOR 0Ω,1/16W
R2203		NRSA6AJ-0R0W	MG RESISTOR 0Ω,1/16W	R3701		NRSA6AD-241W	MG RESISTOR 240Ω,1/16W
R2501		NRSA6AJ-0R0W	MG RESISTOR 0Ω,1/16W	R3702		NRSA6AD-241W	MG RESISTOR 240Ω,1/16W
R2502		NRSA6AJ-0R0W	MG RESISTOR 0Ω,1/16W	R3703		NRSA6AJ-472W	MG RESISTOR 4.7kΩ,1/16W
R2504		NRSA6AJ-0R0W	MG RESISTOR 0Ω,1/16W	R3706		NRSA6AD-221W	MG RESISTOR 220Ω,1/16W
R2505		NRSA6AJ-273W	MG RESISTOR 27kΩ,1/16W	R3707		NRSA6AD-221W	MG RESISTOR 220Ω,1/16W
R2506		NRSA6AJ-273W	MG RESISTOR 27kΩ,1/16W	R3708		NRSA6AJ-472W	MG RESISTOR 4.7kΩ,1/16W
R2507		NRSA6AJ-223W	MG RESISTOR 22kΩ,1/16W	R3711		NRSA6AD-680W	MG RESISTOR 68Ω,1/16W

#	△	REF No.	PART No.	PART NAME, DESCRIPTION	#	△	REF No.	PART No.	PART NAME, DESCRIPTION
R3712			NRSA6AD-680W	MG RESISTOR 68Ω,1/16W	R4816			NRSA6AJ-105W	MG RESISTOR 1MΩ,1/16W
R3713			NRSA6AD-680W	MG RESISTOR 68Ω,1/16W	R4817			NRSA6AJ-334W	MG RESISTOR 330kΩ,1/16W
R3714			NRSA6AJ-123W	MG RESISTOR 12kΩ,1/16W	R4818			NRSA6AJ-154W	MG RESISTOR 150kΩ,1/16W
R3715			NRSA6AJ-103W	MG RESISTOR 10kΩ,1/16W	R4819			NRSA6AJ-103W	MG RESISTOR 10kΩ,1/16W
R3717			NRSA6AJ-561W	MG RESISTOR 560Ω,1/16W	R4820			NRSA6AJ-104W	MG RESISTOR 100kΩ,1/16W
R3718			NRSA6AJ-561W	MG RESISTOR 560Ω,1/16W	R4821			NRSA6AJ-104W	MG RESISTOR 100kΩ,1/16W
R3719			NRSA6AJ-103W	MG RESISTOR 10kΩ,1/16W	R4822			NRSA6AJ-333W	MG RESISTOR 33kΩ,1/16W
R3724			NRSA6AJ-392W	MG RESISTOR 3.9kΩ,1/16W	R4823			NRSA6AJ-102W	MG RESISTOR 1kΩ,1/16W
R4202			NRSA6AJ-0R0W	MG RESISTOR 0Ω,1/16W	R4824			NRSA6AJ-472W	MG RESISTOR 4.7kΩ,1/16W
R4205			NRSA6AJ-333W	MG RESISTOR 33kΩ,1/16W	R4825			NRSA6AJ-222W	MG RESISTOR 2.2kΩ,1/16W
R4206			NRSA6AJ-102W	MG RESISTOR 1kΩ,1/16W	R4826			NRSA6AJ-473W	MG RESISTOR 47kΩ,1/16W
R4207			NRSA6AJ-102W	MG RESISTOR 1kΩ,1/16W	R4827			NRSA6AJ-0R0W	MG RESISTOR 0Ω,1/16W
R4208			NRSA6AJ-102W	MG RESISTOR 1kΩ,1/16W	R4828			NRSA6AJ-0R0W	MG RESISTOR 0Ω,1/16W
R4301			NRSA6AJ-101W	MG RESISTOR 100Ω,1/16W	R4833			NRSA6AJ-104W	MG RESISTOR 100kΩ,1/16W
R4302			NRSA6AJ-101W	MG RESISTOR 100Ω,1/16W	R4836			NRSA6AJ-102W	MG RESISTOR 1kΩ,1/16W
R4304			NRSA6AJ-0R0W	MG RESISTOR 0Ω,1/16W	R4837			NRSA6AJ-0R0W	MG RESISTOR 0Ω,1/16W
R4305			NRSA6AJ-0R0W	MG RESISTOR 0Ω,1/16W	R4841			NRSA6AJ-0R0W	MG RESISTOR 0Ω,1/16W
R4307			NRSA6AD-333W	MG RESISTOR 33kΩ,1/16W	R4842			NRSA6AJ-0R0W	MG RESISTOR 0Ω,1/16W
R4308			NRSA6AD-682W	MG RESISTOR 6.8kΩ,1/16W	R4843			NRSA6AJ-0R0W	MG RESISTOR 0Ω,1/16W
R4309			NRSA6AJ-0R0W	MG RESISTOR 0Ω,1/16W	R4844			NRSA6AJ-151W	MG RESISTOR 150Ω,1/16W
R4311			NRSA6AD-272W	MG RESISTOR 2.7kΩ,1/16W	R4846			NRSA6AJ-0R0W	MG RESISTOR 0Ω,1/16W
R4312			NRSA6AD-272W	MG RESISTOR 2.7kΩ,1/16W	R4854			NRSA6AJ-0R0W	MG RESISTOR 0Ω,1/16W
R4313			NRSA6AD-272W	MG RESISTOR 2.7kΩ,1/16W	R4856			NRSA63J-6R8X	MG RESISTOR 6.8Ω,1/16W
R4314			NRSA6AD-123W	MG RESISTOR 12kΩ,1/16W	R4857			NRSA63J-6R8X	MG RESISTOR 6.8Ω,1/16W
R4315			NRSA6AD-103W	MG RESISTOR 10kΩ,1/16W	R4858			NRSA6AJ-333W	MG RESISTOR 33kΩ,1/16W
R4316			NRSA6AD-131W	MG RESISTOR 130Ω,1/16W	R4859			NRSA6AJ-0R0W	MG RESISTOR 0Ω,1/16W
R4317			NRSA6AJ-0R0W	MG RESISTOR 0Ω,1/16W	R4860			NRSA6AJ-0R0W	MG RESISTOR 0Ω,1/16W
R4318			NRSA6AJ-152W	MG RESISTOR 1.5kΩ,1/16W	R4862			NRSA63J-6R8X	MG RESISTOR 6.8Ω,1/16W
R4319			NRSA6AD-131W	MG RESISTOR 130Ω,1/16W	R4863			NRSA63J-6R8X	MG RESISTOR 6.8Ω,1/16W
R4320			NRSA6AJ-0R0W	MG RESISTOR 0Ω,1/16W	R4864			NRSA6AJ-102W	MG RESISTOR 1kΩ,1/16W
R4321			NRSA6AJ-152W	MG RESISTOR 1.5kΩ,1/16W	R4865			NRSA6AJ-102W	MG RESISTOR 1kΩ,1/16W
R4322			NRSA6AD-131W	MG RESISTOR 130Ω,1/16W	R4866			NRSA6AJ-102W	MG RESISTOR 1kΩ,1/16W
R4323			NRSA6AD-820W	MG RESISTOR 82Ω,1/16W	R4867			NRSA6AJ-102W	MG RESISTOR 1kΩ,1/16W
R4324			NRSA6AJ-152W	MG RESISTOR 1.5kΩ,1/16W	R4868			NRSA6AJ-0R0W	MG RESISTOR 0Ω,1/16W
R4326			NRSA6AJ-0R0W	MG RESISTOR 0Ω,1/16W	R4870			NRSA6AJ-271W	MG RESISTOR 270Ω,1/16W
R4327			NRSA6AJ-152W	MG RESISTOR 1.5kΩ,1/16W	R4871			NRSA6AJ-0R0W	MG RESISTOR 0Ω,1/16W
R4328			NRSA6AJ-0R0W	MG RESISTOR 0Ω,1/16W	R4874			NRSA6AJ-0R0W	MG RESISTOR 0Ω,1/16W
R4329			NRSA6AJ-0R0W	MG RESISTOR 0Ω,1/16W	R5501			NRSA6AJ-0R0W	MG RESISTOR 0Ω,1/16W
R4333			NRSA6AJ-0R0W	MG RESISTOR 0Ω,1/16W	R5503			NRSA6AJ-0R0W	MG RESISTOR 0Ω,1/16W
R4336			NRSA6AJ-0R0W	MG RESISTOR 0Ω,1/16W	R5504			NRSA6AJ-0R0W	MG RESISTOR 0Ω,1/16W
R4337			NRSA6AJ-0R0W	MG RESISTOR 0Ω,1/16W	R5505			NRSA6AJ-0R0W	MG RESISTOR 0Ω,1/16W
R4338			NRSA6AJ-220W	MG RESISTOR 22Ω,1/16W	R5506			NRSA6AJ-0R0W	MG RESISTOR 0Ω,1/16W
R4339			NRSA6AJ-0R0W	MG RESISTOR 0Ω,1/16W	R5507			NRSA6AJ-0R0W	MG RESISTOR 0Ω,1/16W
R4340			NRSA6AJ-0R0W	MG RESISTOR 0Ω,1/16W	R5509			NRSA6AJ-470W	MG RESISTOR 47Ω,1/16W
R4341			NRSA6AJ-0R0W	MG RESISTOR 0Ω,1/16W	R5510			NRSA6AJ-470W	MG RESISTOR 47Ω,1/16W
R4343			NRSA6AJ-0R0W	MG RESISTOR 0Ω,1/16W	R5511			NRSA6AJ-470W	MG RESISTOR 47Ω,1/16W
R4344			NRSA6AJ-0R0W	MG RESISTOR 0Ω,1/16W	R5512			NRSA6AJ-102W	MG RESISTOR 1kΩ,1/16W
R4346			NRSA63J-0R0X	MG RESISTOR 0Ω,1/16W	R5513			NRSA6AJ-102W	MG RESISTOR 1kΩ,1/16W
R4347			NRSA6AJ-223W	MG RESISTOR 22kΩ,1/16W	R5514			NRSA6AJ-102W	MG RESISTOR 1kΩ,1/16W
R4348			NRSA6AJ-223W	MG RESISTOR 22kΩ,1/16W	R6001			NRSA6AJ-104W	MG RESISTOR 100kΩ,1/16W
R4349			NRSA6AJ-223W	MG RESISTOR 22kΩ,1/16W	R6002			NRSA6AJ-104W	MG RESISTOR 100kΩ,1/16W
R4350			NRSA6AJ-223W	MG RESISTOR 22kΩ,1/16W	R6003			NRSA6AJ-224W	MG RESISTOR 220kΩ,1/16W
R4351			NRSA6AJ-223W	MG RESISTOR 22kΩ,1/16W	R6004			NRSA6AJ-183W	MG RESISTOR 18kΩ,1/16W
R4804			NRSA6AJ-102W	MG RESISTOR 1kΩ,1/16W	R6005			NRSA6AJ-104W	MG RESISTOR 100kΩ,1/16W
R4805			NRSA6AJ-103W	MG RESISTOR 10kΩ,1/16W	△ R6009			NRSA63J-102X	MG RESISTOR 1kΩ,1/16W
R4806			NRSA6AJ-683W	MG RESISTOR 68kΩ,1/16W	R6010			NRSA6AJ-473W	MG RESISTOR 47kΩ,1/16W
R4807			NRSA6AJ-823W	MG RESISTOR 82kΩ,1/16W	R6011			NRSA6AJ-102W	MG RESISTOR 1kΩ,1/16W
R4808			NRSA6AJ-243W	MG RESISTOR 24kΩ,1/16W	R6012			NRVA6AD-104W	CMF RESISTOR 100kΩ,1/16W
R4809			NRSA6AJ-681W	MG RESISTOR 680Ω,1/16W	R6013			NRVA6AD-683W	CMF RESISTOR 68kΩ,1/16W
R4810			NRSA6AJ-103W	MG RESISTOR 10kΩ,1/16W	R6101			NRVA6AD-103W	CMF RESISTOR 10kΩ,1/16W
R4811			NRSA6AJ-824W	MG RESISTOR 820kΩ,1/16W	R6102			NRVA6AD-751W	CMF RESISTOR 750Ω,1/16W
R4812			NRSA6AJ-153W	MG RESISTOR 15kΩ,1/16W	R6103			NRVA6AD-103W	CMF RESISTOR 10kΩ,1/16W
R4814			NRSA6AJ-105W	MG RESISTOR 1MΩ,1/16W	R6106			NRSA6AJ-333W	MG RESISTOR 33kΩ,1/16W
R4815			NRSA6AJ-472W	MG RESISTOR 4.7kΩ,1/16W					

#	△ REF No.	PART No.	PART NAME, DESCRIPTION		#	△ REF No.	PART No.	PART NAME, DESCRIPTION	
R6107		NRVA6AD-562W	CMF RESISTOR	5.6kΩ,1/16W	RA3003		NRZ0034-100W	NETWORK RESISTOR	10Ω
R6108		NRSA6AJ-223W	MG RESISTOR	22kΩ,1/16W	RA3004		NRZ0034-103W	NETWORK RESISTOR	10kΩ
R6113		NRSA6AJ-472W	MG RESISTOR	4.7kΩ,1/16W	RA3005		NRZ0040-0R0X	NETWORK RESISTOR	0Ω
R6114		NRSA6AJ-823W	MG RESISTOR	82kΩ,1/16W	RA4301		NRZ0034-101W	NETWORK RESISTOR	100Ω
R6115		NRSA6AJ-823W	MG RESISTOR	82kΩ,1/16W	RA4302		NRZ0034-101W	NETWORK RESISTOR	100Ω
R6116		NRVA6AD-153W	CMF RESISTOR	15kΩ,1/16W	RA4303		NRZ0034-101W	NETWORK RESISTOR	100Ω
R6117		NRSA6AJ-0R0W	MG RESISTOR	0Ω,1/16W	RA4307		NRZ0034-221W	NETWORK RESISTOR	220Ω
R6118		NRSA6AJ-102W	MG RESISTOR	1kΩ,1/16W	RA4308		NRZ0034-221W	NETWORK RESISTOR	220Ω
R6124		NRSA6AJ-102W	MG RESISTOR	1kΩ,1/16W	RA4309		NRZ0034-221W	NETWORK RESISTOR	220Ω
R6201		NRVA6AD-223W	CMF RESISTOR	22kΩ,1/16W	RA4310		NRZ0034-221W	NETWORK RESISTOR	220Ω
R6202		NRSA6AJ-474W	MG RESISTOR	470kΩ,1/16W	C1003		NBE20JM-106X	T CAPACITOR	10μF,6.3V
R6203		NRVA6AD-103W	CMF RESISTOR	10kΩ,1/16W	C1004		NCFA1AZ-104W	CAPACITOR	0.1μF,10V
R6204		NRSA6AJ-473W	MG RESISTOR	47kΩ,1/16W	C1006		NDCA1HJ-130W	CAPACITOR	13pF,50V
R6205		NRSA6AJ-102W	MG RESISTOR	1kΩ,1/16W	C1007		NCFA1HZ-103W	CAPACITOR	0.01μF,50V
R6206		NRVA6AD-183W	CMF RESISTOR	18kΩ,1/16W	C1009		NCFA1HZ-103W	CAPACITOR	0.01μF,50V
R6207		NRVA6AD-123W	CMF RESISTOR	12kΩ,1/16W	C1010		NCFA1HZ-103W	CAPACITOR	0.01μF,50V
R6208		NRVA6AD-123W	CMF RESISTOR	12kΩ,1/16W	C1013		NCFA1HZ-103W	CAPACITOR	0.01μF,50V
R6209		NRVA6AD-153W	CMF RESISTOR	15kΩ,1/16W	C1014		NCFA1HZ-103W	CAPACITOR	0.01μF,50V
R6210		NRVA6AD-183W	CMF RESISTOR	18kΩ,1/16W	C1015		NCFA1HZ-103W	CAPACITOR	0.01μF,50V
R6212		NRVA6AD-472W	CMF RESISTOR	4.7kΩ,1/16W	C1016		NCFA1HZ-103W	CAPACITOR	0.01μF,50V
R6213		NRSA6AJ-103W	MG RESISTOR	10kΩ,1/16W	C1017		NCFA1HZ-103W	CAPACITOR	0.01μF,50V
R6214		NRSA6AJ-152W	MG RESISTOR	1.5kΩ,1/16W	C1019		NCFA1HZ-103W	CAPACITOR	0.01μF,50V
R6215		NRSA6AJ-473W	MG RESISTOR	47kΩ,1/16W	C1023		NCFA1AZ-104W	CAPACITOR	0.1μF,10V
R6217		NRSA6AJ-151W	MG RESISTOR	150Ω,1/16W	C1026		NCFA1AZ-104W	CAPACITOR	0.1μF,10V
R6218		NRSA6AJ-104W	MG RESISTOR	100kΩ,1/16W	C1027		NCFA1HZ-103W	CAPACITOR	0.01μF,50V
R6219		NRVA6AD-243W	CMF RESISTOR	24kΩ,1/16W	C1028		NCFA1HZ-103W	CAPACITOR	0.01μF,50V
R6220		NRVA6AD-302W	CMF RESISTOR	3kΩ,1/16W	C1029		NCFA1HZ-103W	CAPACITOR	0.01μF,50V
R6221		NRVA6AD-104W	CMF RESISTOR	100kΩ,1/16W	C1030		NCFA1HZ-103W	CAPACITOR	0.01μF,50V
R6222		NRVA6AD-103W	CMF RESISTOR	10kΩ,1/16W	C1031		NCF31AZ-105X	CAPACITOR	1μF,10V
R6223		NRVA6AD-123W	CMF RESISTOR	12kΩ,1/16W	C1034		NCFA1HZ-103W	CAPACITOR	0.01μF,50V
R6224		NRVA6AD-473W	CMF RESISTOR	47kΩ,1/16W	C1036		NCFA1HZ-103W	CAPACITOR	0.01μF,50V
R6225		NRVA6AD-562W	CMF RESISTOR	5.6kΩ,1/16W	C1037		NCFA1HZ-103W	CAPACITOR	0.01μF,50V
R6226		NRVA6AD-223W	CMF RESISTOR	22kΩ,1/16W	C1038		NCFA1HZ-103W	CAPACITOR	0.01μF,50V
R6227		NRVA6AD-473W	CMF RESISTOR	47kΩ,1/16W	C1039		NCFA1HZ-103W	CAPACITOR	0.01μF,50V
R6228		NRVA6AD-473W	CMF RESISTOR	47kΩ,1/16W	C1307		NCFA1AZ-104W	CAPACITOR	0.1μF,10V
R6229		NRVA6AD-332W	CMF RESISTOR	3.3kΩ,1/16W	C1401		NDCA1HJ-150W	CAPACITOR	15pF,50V
R6230		NRSA6AJ-272W	MG RESISTOR	2.7kΩ,1/16W	C1402		NDCA1HJ-150W	CAPACITOR	15pF,50V
R6231		NRVA6AD-104W	CMF RESISTOR	100kΩ,1/16W	C1403		NCBA1AK-104W	CAPACITOR	0.1μF,10V
R6232		NRVA6AD-473W	CMF RESISTOR	47kΩ,1/16W	C1404		NCBA1AK-104W	CAPACITOR	0.1μF,10V
R6233		NRSA6AJ-822W	MG RESISTOR	8.2kΩ,1/16W	C1405		NCBA1AK-104W	CAPACITOR	0.1μF,10V
R6234		NRSA6AJ-273W	MG RESISTOR	27kΩ,1/16W	C1406		NCBA1AK-104W	CAPACITOR	0.1μF,10V
R6235		NRVA6AD-683W	CMF RESISTOR	68kΩ,1/16W	C1407		NCBA1AK-104W	CAPACITOR	0.1μF,10V
R6236		NRVA6AD-473W	CMF RESISTOR	47kΩ,1/16W	C1409		NCBA1CK-103W	CAPACITOR	0.01μF,16V
R6237		NRVA6AD-753W	CMF RESISTOR	75kΩ,1/16W	C1410		NCBA1CK-103W	CAPACITOR	0.01μF,16V
R6238		NRVA6AD-104W	CMF RESISTOR	100kΩ,1/16W	C1411		NCBA1CK-103W	CAPACITOR	0.01μF,16V
R6239		NRSA6AJ-103W	MG RESISTOR	10kΩ,1/16W	C1412		NCBA1CK-223W	CAPACITOR	0.022μF,16V
R6240		NRSA6AJ-333W	MG RESISTOR	33kΩ,1/16W	C1413		NCBA1CK-223W	CAPACITOR	0.022μF,16V
R6241		NRSA6AJ-102W	MG RESISTOR	1kΩ,1/16W	C1414		NCBA1CK-223W	CAPACITOR	0.022μF,16V
R6242		NRSA6AJ-104W	MG RESISTOR	100kΩ,1/16W	C1415		NCBA1CK-223W	CAPACITOR	0.022μF,16V
R6243		NRSA6AJ-823W	MG RESISTOR	82kΩ,1/16W	C1416		NCBA1AK-104W	CAPACITOR	0.1μF,10V
R6244		NRSA6AJ-152W	MG RESISTOR	1.5kΩ,1/16W	C1601		NCBA1CK-103W	CAPACITOR	0.01μF,16V
R6245		NRSA6AJ-562W	MG RESISTOR	5.6kΩ,1/16W	C1602		NBE20JM-106X	T CAPACITOR	10μF,6.3V
R6246		NRSA6AJ-222W	MG RESISTOR	2.2kΩ,1/16W	C1603		NBE20JM-106X	T CAPACITOR	10μF,6.3V
R6701		NRZ0058-R20X	MG RESISTOR	0.2Ω,1/2W	C1605		NCBA1AK-104W	CAPACITOR	0.1μF,10V
R6702		NRVA6AD-104W	CMF RESISTOR	100kΩ,1/16W	C1606		NCBA1HK-152W	CAPACITOR	0.0015μF,50V
R6703		NRVA6AD-123W	CMF RESISTOR	12kΩ,1/16W	C1607		NCBA1AK-473W	CAPACITOR	0.047μF,10V
R6704		NRVA6AD-823W	CMF RESISTOR	82kΩ,1/16W	C1614		NBE20JM-106X	T CAPACITOR	10μF,6.3V
R6705		NRVA6AD-333W	CMF RESISTOR	33kΩ,1/16W	C1618		NCBA1HK-222W	CAPACITOR	0.0022μF,50V
RA1008		NRZ0034-104W	NETWORK RESISTOR	100kΩ	C1619		NCBA1HK-222W	CAPACITOR	0.0022μF,50V
RA1009		NRZ0034-104W	NETWORK RESISTOR	100kΩ	C1620		NCBA1HK-222W	CAPACITOR	0.0022μF,50V
RA1010		NRZ0034-104W	NETWORK RESISTOR	100kΩ	C1621		NCB30JK-105X	CAPACITOR	1μF,6.3V
RA1401		NRZ0034-473W	NETWORK RESISTOR	47kΩ	C1622		NCBA1CK-223W	CAPACITOR	0.022μF,16V
RA3001		NRZ0034-560W	NETWORK RESISTOR	56Ω	C1623		NCBA1AK-473W	CAPACITOR	0.047μF,10V
RA3002		NRZ0034-560W	NETWORK RESISTOR	56Ω	C1624		NCBA1CK-103W	CAPACITOR	0.01μF,16V

#	△ REF No.	PART No.	PART NAME, DESCRIPTION	#	△ REF No.	PART No.	PART NAME, DESCRIPTION
C1625		NCBA1AK-473W	CAPACITOR 0.047μF,10V	C2515		NCB30JK-105X	CAPACITOR 1μF,6.3V
C1626		NCBA1HK-331W	CAPACITOR 330pF,50V	C2516		NCB31CK-104X	CAPACITOR 0.1μF,16V
C1627		NCBA1CK-822W	CAPACITOR 0.0082μF,16V	C2517		NCB31CK-104X	CAPACITOR 0.1μF,16V
C1628		NCB21CK-224X	CAPACITOR 0.22μF,16V	C3001		NBE20JM-106X	T CAPACITOR 10μF,6.3V
C1632		NBE20JM-106X	T CAPACITOR 10μF,6.3V	C3003		NCB30JK-105X	CAPACITOR 1μF,6.3V
C1633		NCB21CK-474X	CAPACITOR 0.47μF,16V	C3005		NBE20JM-106X	T CAPACITOR 10μF,6.3V
C1641		NCB21CK-474X	CAPACITOR 0.47μF,16V	C3007		NCB10JK-106X	CAPACITOR 10μF,6.3V
C2001		NBE20JM-106X	T CAPACITOR 10μF,6.3V	C3008		NBE20JM-106X	T CAPACITOR 10μF,6.3V
C2002		NBE20JM-106X	T CAPACITOR 10μF,6.3V	C3011		NCBA1AK-104W	CAPACITOR 0.1μF,10V
C2004		NCB21CK-105X	CAPACITOR 1μF,16V	C3012		NCBA1AK-104W	CAPACITOR 0.1μF,10V
C2005		NCB21CK-105X	CAPACITOR 1μF,16V	C3013		NCBA1CK-103W	CAPACITOR 0.01μF,16V
C2006		NCBA1HK-102W	CAPACITOR 0.001μF,50V	C3014		NCBA1CK-103W	CAPACITOR 0.01μF,16V
C2007		NCBA1HK-102W	CAPACITOR 0.001μF,50V	C3015		NCBA1CK-103W	CAPACITOR 0.01μF,16V
C2008		NCB21CK-105X	CAPACITOR 1μF,16V	C3016		NCBA1AK-104W	CAPACITOR 0.1μF,10V
C2009		NCB21CK-105X	CAPACITOR 1μF,16V	C3017		NCBA1AK-104W	CAPACITOR 0.1μF,10V
C2010		NCB21CK-105X	CAPACITOR 1μF,16V	C3020		NCBA1AK-104W	CAPACITOR 0.1μF,10V
C2011		NBE20JM-106X	T CAPACITOR 10μF,6.3V	C3021		NCBA1AK-104W	CAPACITOR 0.1μF,10V
C2012		NBE20JM-106X	T CAPACITOR 10μF,6.3V	C3022		NCBA1AK-104W	CAPACITOR 0.1μF,10V
C2013		NCBA1AK-104W	CAPACITOR 0.1μF,10V	C3023		NDCA1HJ-330W	CAPACITOR 33pF,50V
C2014		NCBA1AK-104W	CAPACITOR 0.1μF,10V	C3024		NCBA1HK-102W	CAPACITOR 0.001μF,50V
C2015		NBE20JM-106X	T CAPACITOR 10μF,6.3V	C3025		NCBA1AK-104W	CAPACITOR 0.1μF,10V
C2016		NCBA1CK-223W	CAPACITOR 0.022μF,16V	C3026		NCB30JK-105X	CAPACITOR 1μF,6.3V
C2017		NCBA1AK-333W	CAPACITOR 0.033μF,10V	C3027		NCBA1EK-472W	CAPACITOR 0.0047μF,25V
C2018		NCB31CK-104X	CAPACITOR 0.1μF,16V	C3028		NDCA1EJ-271W	CAPACITOR 270pF,25V
C2019		NCB31CK-104X	CAPACITOR 0.1μF,16V	C3029		NCBA1CK-103W	CAPACITOR 0.01μF,16V
C2020		NCBA1AK-104W	CAPACITOR 0.1μF,10V	C3030		NCBA1AK-104W	CAPACITOR 0.1μF,10V
C2021		NCBA1AK-104W	CAPACITOR 0.1μF,10V	C3031		NCBA1AK-104W	CAPACITOR 0.1μF,10V
C2024		NCB21CK-105X	CAPACITOR 1μF,16V	C3032		NCBA1HK-102W	CAPACITOR 0.001μF,50V
C2025		NBE20JM-106X	T CAPACITOR 10μF,6.3V	C3033		NDCA1HJ-8R0W	CAPACITOR 8pF,50V
C2103		NCB21CK-105X	CAPACITOR 1μF,16V	C3036		NDCA1HJ-8R0W	CAPACITOR 8pF,50V
C2104		NCB21CK-105X	CAPACITOR 1μF,16V	C3037		NDCA1HJ-8R0W	CAPACITOR 8pF,50V
C2107		NCB21CK-105X	CAPACITOR 1μF,16V	C3038		NCBA1AK-104W	CAPACITOR 0.1μF,10V
C2108		NCB21CK-105X	CAPACITOR 1μF,16V	C3039		NCBA1AK-104W	CAPACITOR 0.1μF,10V
C2109		NCBA1HK-102W	CAPACITOR 0.001μF,50V	C3042		NCBA1CK-103W	CAPACITOR 0.01μF,16V
C2110		NCBA1HK-102W	CAPACITOR 0.001μF,50V	C3043		NCBA1CK-103W	CAPACITOR 0.01μF,16V
C2111		NCB31CK-104X	CAPACITOR 0.1μF,16V	C3044		NCBA1AK-104W	CAPACITOR 0.1μF,10V
C2112		NCB31CK-104X	CAPACITOR 0.1μF,16V	C3045		NCBA1AK-104W	CAPACITOR 0.1μF,10V
C2115		NCBA1CK-223W	CAPACITOR 0.022μF,16V	C3046		NCBA1CK-103W	CAPACITOR 0.01μF,16V
C2116		NCBA1CK-223W	CAPACITOR 0.022μF,16V	C3048		NCB31CK-473X	CAPACITOR 0.047μF,16V
C2117		NCBA1CK-223W	CAPACITOR 0.022μF,16V	C3049		NCBA1HK-222W	CAPACITOR 0.0022μF,50V
C2118		NCBA1CK-223W	CAPACITOR 0.022μF,16V	C3050		NCBA1CK-103W	CAPACITOR 0.01μF,16V
C2119		NCBA1CK-223W	CAPACITOR 0.022μF,16V	C3051		NCBA1HK-102W	CAPACITOR 0.001μF,50V
C2120		NCBA1CK-223W	CAPACITOR 0.022μF,16V	C3052		NCBA1AK-473W	CAPACITOR 0.047μF,10V
C2121		NCBA1EK-472W	CAPACITOR 0.0047μF,25V	C3054		NCB30JK-105X	CAPACITOR 1μF,6.3V
C2122		NCBA1EK-472W	CAPACITOR 0.0047μF,25V	C3055		NCBA1CK-103W	CAPACITOR 0.01μF,16V
C2123		NCBA1EK-472W	CAPACITOR 0.0047μF,25V	C3061		NCBA1CK-103W	CAPACITOR 0.01μF,16V
C2124		NCBA1EK-472W	CAPACITOR 0.0047μF,25V	C3064		NCBA1HK-102W	CAPACITOR 0.001μF,50V
C2125		NCBA1CK-223W	CAPACITOR 0.022μF,16V	C3501		NBE20JM-106X	T CAPACITOR 10μF,6.3V
C2126		NCBA1CK-223W	CAPACITOR 0.022μF,16V	C3502		NBE20JM-106X	T CAPACITOR 10μF,6.3V
C2127		NCB31CK-104X	CAPACITOR 0.1μF,16V	C3503		NBE20JM-106X	T CAPACITOR 10μF,6.3V
C2128		NCB31CK-104X	CAPACITOR 0.1μF,16V	C3504		NCBA1AK-473W	CAPACITOR 0.047μF,10V
C2201		NCBA1CK-103W	CAPACITOR 0.01μF,16V	C3505		NCBA1CK-223W	CAPACITOR 0.022μF,16V
C2202		NCBA1CK-103W	CAPACITOR 0.01μF,16V	C3506		NCB21AK-105X	CAPACITOR 1μF,10V
C2504		NCB31CK-104X	CAPACITOR 0.1μF,16V	C3507		NCBA1CK-103W	CAPACITOR 0.01μF,16V
C2505		NCB31CK-104X	CAPACITOR 0.1μF,16V	C3508		NCBA1CK-103W	CAPACITOR 0.01μF,16V
C2506		NCBA1HK-222W	CAPACITOR 0.0022μF,50V	C3509		NCBA1CK-103W	CAPACITOR 0.01μF,16V
C2507		NCBA1HK-222W	CAPACITOR 0.0022μF,50V	C3510		NCBA1AK-104W	CAPACITOR 0.1μF,10V
C2508		NBE20JM-106X	T CAPACITOR 10μF,6.3V	C3511		NCBA1CK-103W	CAPACITOR 0.01μF,16V
C2509		NBE20JM-475X	T CAPACITOR 4.7μF,6.3V	C3512		NCB31CK-104X	CAPACITOR 0.1μF,16V
C2510		NCB30JK-105X	CAPACITOR 1μF,6.3V	C3513		NCBA1AK-104W	CAPACITOR 0.1μF,10V
C2511		NCB30JK-105X	CAPACITOR 1μF,6.3V	C3514		NCBA1AK-473W	CAPACITOR 0.047μF,10V
C2512		NCB30JK-105X	CAPACITOR 1μF,6.3V	C3515		NCBA1AK-473W	CAPACITOR 0.047μF,10V
C2513		NCB30JK-105X	CAPACITOR 1μF,6.3V	C3516		NCBA1AK-473W	CAPACITOR 0.047μF,10V
C2514		NCB30JK-105X	CAPACITOR 1μF,6.3V	C3517		NCBA1CK-103W	CAPACITOR 0.01μF,16V

#	△ REF No.	PART No.	PART NAME, DESCRIPTION	#	△ REF No.	PART No.	PART NAME, DESCRIPTION	
C3518		NCBA1CK-103W	CAPACITOR	0.01μF,16V	C4329	NCBA1AK-104W	CAPACITOR	0.1μF,10V
C3519		NCBA1HK-102W	CAPACITOR	0.001μF,50V	C4330	NCBA1AK-104W	CAPACITOR	0.1μF,10V
C3520		NCBA1CK-103W	CAPACITOR	0.01μF,16V	C4331	NBE20JM-106X	T CAPACITOR	10μF,6.3V
C3521		NCBA1AK-104W	CAPACITOR	0.1μF,10V	C4332	NCBA1AK-104W	CAPACITOR	0.1μF,10V
C3522		NCB20JM-475X	CAPACITOR	4.7μF,6.3V	C4333	NCBA1AK-104W	CAPACITOR	0.1μF,10V
C3523		NCBA1CK-103W	CAPACITOR	0.01μF,16V	C4334	NCBA1AK-104W	CAPACITOR	0.1μF,10V
C3524		NCBA1CK-103W	CAPACITOR	0.01μF,16V	C4335	NCBA1AK-104W	CAPACITOR	0.1μF,10V
C3525		NCB20JM-475X	CAPACITOR	4.7μF,6.3V	C4336	NCBA1AK-104W	CAPACITOR	0.1μF,10V
C3526		NCBA1CK-103W	CAPACITOR	0.01μF,16V	C4337	NCBA1AK-104W	CAPACITOR	0.1μF,10V
C3527		NDCA1EJ-221W	CAPACITOR	220pF,25V	C4338	NCBA1AK-104W	CAPACITOR	0.1μF,10V
C3528		NCBA1CK-103W	CAPACITOR	0.01μF,16V	C4339	NCBA1AK-104W	CAPACITOR	0.1μF,10V
C3701		NBE20JM-106X	T CAPACITOR	10μF,6.3V	C4340	NCBA1AK-104W	CAPACITOR	0.1μF,10V
C3702		NDCA1HJ-151W	CAPACITOR	150pF,50V	C4341	NCBA1AK-104W	CAPACITOR	0.1μF,10V
C3703		NDCA1HJ-330W	CAPACITOR	33pF,50V	C4342	NCBA1AK-104W	CAPACITOR	0.1μF,10V
C3704		NDCA1HJ-101W	CAPACITOR	100pF,50V	C4343	NCBA1AK-104W	CAPACITOR	0.1μF,10V
C3705		NDCA1HJ-330W	CAPACITOR	33pF,50V	C4344	NCBA1AK-104W	CAPACITOR	0.1μF,10V
C3706		NCBA1CK-103W	CAPACITOR	0.01μF,16V	C4345	NCBA1AK-104W	CAPACITOR	0.1μF,10V
C3707		NCFA1AZ-104W	CAPACITOR	0.1μF,10V	C4346	NCBA1AK-104W	CAPACITOR	0.1μF,10V
C3708		NCB30JK-105X	CAPACITOR	1μF,6.3V	C4347	NCBA1AK-104W	CAPACITOR	0.1μF,10V
C3709		NCBA1CK-103W	CAPACITOR	0.01μF,16V	C4348	NCBA1AK-104W	CAPACITOR	0.1μF,10V
C3710		NCBA1CK-103W	CAPACITOR	0.01μF,16V	C4349	NCBA1AK-104W	CAPACITOR	0.1μF,10V
C3712		NEA70GM-337X	E CAPACITOR	330μF,4.0V	C4350	NCBA1AK-104W	CAPACITOR	0.1μF,10V
C3713		NEA70GM-337X	E CAPACITOR	330μF,4.0V	C4803	NBE20JM-106X	T CAPACITOR	10μF,6.3V
C4201		NBE40GM-107X	T CAPACITOR	100μF,4.0V	C4804	NCFA1AZ-104W	CAPACITOR	0.1μF,10V
C4202		NCBA1AK-104W	CAPACITOR	0.1μF,10V	C4806	NCFA1AZ-104W	CAPACITOR	0.1μF,10V
C4203		NCB30JK-105X	CAPACITOR	1μF,6.3V	C4808	NCB30JK-105X	CAPACITOR	1μF,6.3V
C4204		NCBA1AK-104W	CAPACITOR	0.1μF,10V	C4809	NCFA1AZ-104W	CAPACITOR	0.1μF,10V
C4205		NCBA1AK-104W	CAPACITOR	0.1μF,10V	C4810	NCBA1CK-103W	CAPACITOR	0.01μF,16V
C4206		NCB21CK-105X	CAPACITOR	1μF,16V	C4811	NCBA1CK-103W	CAPACITOR	0.01μF,16V
C4207		NCBA1AK-104W	CAPACITOR	0.1μF,10V	C4812	NCFA1AZ-104W	CAPACITOR	0.1μF,10V
C4208		NCBA1AK-104W	CAPACITOR	0.1μF,10V	C4813	NCFA1AZ-104W	CAPACITOR	0.1μF,10V
C4209		NCB30JK-105X	CAPACITOR	1μF,6.3V	C4814	NCFA1AZ-104W	CAPACITOR	0.1μF,10V
C4210		NCBA1AK-104W	CAPACITOR	0.1μF,10V	C4815	NCB31HK-152X	CAPACITOR	0.0015μF,50V
C4211		NCBA1AK-104W	CAPACITOR	0.1μF,10V	C4819	NCB31CK-104X	CAPACITOR	0.1μF,16V
C4212		NCBA1AK-104W	CAPACITOR	0.1μF,10V	C4851	NBE20JM-106X	T CAPACITOR	10μF,6.3V
C4213		NCBA1AK-104W	CAPACITOR	0.1μF,10V	C4852	NCFA1AZ-104W	CAPACITOR	0.1μF,10V
C4214		NCBA1AK-104W	CAPACITOR	0.1μF,10V	C4853	NBE21AM-335X	T CAPACITOR	3.3μF,10V
C4215		NCBA1AK-104W	CAPACITOR	0.1μF,10V	C4854	NBE21AM-106X	T CAPACITOR	10μF,10V
C4216		NCBA1AK-104W	CAPACITOR	0.1μF,10V	C4855	NCB31CK-104X	CAPACITOR	0.1μF,16V
C4217		NCBA1AK-104W	CAPACITOR	0.1μF,10V	C4858	NDCA1HJ-330W	CAPACITOR	33pF,50V
C4301		NCBA1AK-104W	CAPACITOR	0.1μF,10V	C4859	NCBA1CK-223W	CAPACITOR	0.022μF,16V
C4303		NCBA1AK-104W	CAPACITOR	0.1μF,10V	C4860	NCBA1CK-223W	CAPACITOR	0.022μF,16V
C4304		NCBA1AK-104W	CAPACITOR	0.1μF,10V	C4861	NCBA1HK-102W	CAPACITOR	0.001μF,50V
C4305		NBE20JM-106X	T CAPACITOR	10μF,6.3V	C4862	NCBA1HK-102W	CAPACITOR	0.001μF,50V
C4306		NCBA1AK-104W	CAPACITOR	0.1μF,10V	C4864	NBE20JM-106X	T CAPACITOR	10μF,6.3V
C4307		NBE20JM-106X	T CAPACITOR	10μF,6.3V	C4865	NCBA1AK-104W	CAPACITOR	0.1μF,10V
C4308		NCBA1AK-104W	CAPACITOR	0.1μF,10V	C5501	NCBA1AK-104W	CAPACITOR	0.1μF,10V
C4309		NCBA1AK-104W	CAPACITOR	0.1μF,10V	C5503	NCBA1AK-104W	CAPACITOR	0.1μF,10V
C4310		NBE20JM-106X	T CAPACITOR	10μF,6.3V	C5504	NCBA1AK-104W	CAPACITOR	0.1μF,10V
C4311		NCB30JK-105X	CAPACITOR	1μF,6.3V	C5505	NCBA1AK-104W	CAPACITOR	0.1μF,10V
C4312		NCBA1AK-104W	CAPACITOR	0.1μF,10V	C5506	NBE40GM-476X	T CAPACITOR	47μF,4.0V
C4313		NBE20JM-226X	T CAPACITOR	22μF,6.3V	C5507	NCBA1AK-104W	CAPACITOR	0.1μF,10V
C4314		NCBA1AK-104W	CAPACITOR	0.1μF,10V	C5508	NCBA1AK-104W	CAPACITOR	0.1μF,10V
C4315		NBE20JM-106X	T CAPACITOR	10μF,6.3V	C5509	NCBA1AK-104W	CAPACITOR	0.1μF,10V
C4317		NCBA1AK-104W	CAPACITOR	0.1μF,10V	C5510	NBP21VM-105X	T CAPACITOR	1μF,35V
C4318		NCBA1AK-104W	CAPACITOR	0.1μF,10V	C5511	NBP21DM-475X	T CAPACITOR	4.7μF,20V
C4319		NCBA1AK-104W	CAPACITOR	0.1μF,10V	C5512	NBE21AM-106X	T CAPACITOR	10μF,10V
C4320		NCBA1AK-104W	CAPACITOR	0.1μF,10V	C5513	NCB31CK-104X	CAPACITOR	0.1μF,16V
C4321		NCBA1AK-104W	CAPACITOR	0.1μF,10V	C5514	NCBA1AK-104W	CAPACITOR	0.1μF,10V
C4323		NCBA1AK-104W	CAPACITOR	0.1μF,10V	C5515	NCBA1AK-104W	CAPACITOR	0.1μF,10V
C4324		NBE20JM-106X	T CAPACITOR	10μF,6.3V	C5516	NCBA1AK-104W	CAPACITOR	0.1μF,10V
C4325		NCBA1AK-104W	CAPACITOR	0.1μF,10V	C5517	NCB31CK-104X	CAPACITOR	0.1μF,16V
C4327		NCBA1AK-104W	CAPACITOR	0.1μF,10V	C5518	NCBA1AK-104W	CAPACITOR	0.1μF,10V
C4328		NCBA1AK-104W	CAPACITOR	0.1μF,10V	C5519	NCBA1AK-104W	CAPACITOR	0.1μF,10V

#	△ REF No.	PART No.	PART NAME, DESCRIPTION		#	△ REF No.	PART No.	PART NAME, DESCRIPTION	
	C6001	NCBA1CK-103W	CAPACITOR	0.01μF,16V		C6701	NCB21CK-105X	CAPACITOR	1μF,16V
	C6004	NCB30JK-105X	CAPACITOR	1μF,6.3V		C6703	NCB21CK-105X	CAPACITOR	1μF,16V
	C6005	NDCA1HJ-101W	CAPACITOR	100pF,50V		L1002	NQL315K-100X	COIL	10μH
	C6101	NCB21CK-105X	CAPACITOR	1μF,16V		L1401	NQR0006-001X	FERRITE BEAD	
	C6102	NEA71CM-106X	E CAPACITOR	10μF,16V		L2001	NQL315K-100X	COIL	10μH
	C6103	NCB21CK-105X	CAPACITOR	1μF,16V		L2002	NQL38DK-220X	COIL	22μH
	C6105	NCB21CK-105X	CAPACITOR	1μF,16V		L2101	NQR0269-013X	FERRITE BEAD	
	C6106	NCB30JK-105X	CAPACITOR	1μF,6.3V		L2102	NQR0269-013X	FERRITE BEAD	
	C6107	NCB30JK-105X	CAPACITOR	1μF,6.3V		L2103	NQR0269-013X	FERRITE BEAD	
	C6108	NCB30JK-105X	CAPACITOR	1μF,6.3V		L2501	NQL38DK-220X	COIL	22μH
	C6109	NCB30JK-105X	CAPACITOR	1μF,6.3V		L3001	NQR0129-002X	FERRITE BEAD	
	C6110	NCBA1AK-104W	CAPACITOR	0.1μF,10V		L3002	NQR0129-002X	FERRITE BEAD	
	C6111	NCBA1AK-104W	CAPACITOR	0.1μF,10V		L3004	NQR0006-001X	FERRITE BEAD	
	C6112	NCBA1AK-333W	CAPACITOR	0.033μF,10V		L3005	NQR0006-001X	FERRITE BEAD	
	C6113	NCBA1HK-561W	CAPACITOR	560pF,50V		L3006	NQR0006-001X	FERRITE BEAD	
	C6114	NCBA1HK-272W	CAPACITOR	0.0027μF,50V		L3007	NQL085J-2R2X	COIL	2.2μH
	C6115	NCBA1HK-561W	CAPACITOR	560pF,50V		L3008	NQL085J-120X	COIL	12μH
	C6116	NCBA1CK-103W	CAPACITOR	0.01μF,16V		L3015	NQR0006-001X	FERRITE BEAD	
	C6117	NCBA1AK-104W	CAPACITOR	0.1μF,10V		L3501	NQR0129-002X	FERRITE BEAD	
	C6118	NCBA1AK-104W	CAPACITOR	0.1μF,10V		L3502	NQL402M-100X	COIL	10μH
	C6119	NDCA1HJ-101W	CAPACITOR	100pF,50V		L3503	NQR0006-001X	FERRITE BEAD	
	C6120	NCB30JK-105X	CAPACITOR	1μF,6.3V		L3504	NQR0006-001X	FERRITE BEAD	
	C6121	NCBA1AK-104W	CAPACITOR	0.1μF,10V		L3505	NQR0006-001X	FERRITE BEAD	
	C6122	NCBA1CK-223W	CAPACITOR	0.022μF,16V		L3701	NQL38DK-100X	COIL	10μH
	C6123	NCBA1CK-103W	CAPACITOR	0.01μF,16V		L4201	NQR0129-002X	FERRITE BEAD	
	C6124	NCBA1CK-103W	CAPACITOR	0.01μF,16V		L4301	NQR0129-002X	FERRITE BEAD	
	C6125	NCBA1CK-103W	CAPACITOR	0.01μF,16V		L4302	NQR0129-002X	FERRITE BEAD	
	C6126	NCBA1CK-103W	CAPACITOR	0.01μF,16V		L4303	NQL315K-100X	COIL	10μH
	C6127	NCBA1HK-102W	CAPACITOR	0.001μF,50V		L4304	NQL315K-220X	COIL	22μH
	C6128	NCB21CK-105X	CAPACITOR	1μF,16V		L4305	NQR0129-002X	FERRITE BEAD	
	C6129	NCBA1HK-561W	CAPACITOR	560pF,50V		L4306	NQR0129-002X	FERRITE BEAD	
	C6130	NCBA1AK-104W	CAPACITOR	0.1μF,10V		L4307	NQL315K-100X	COIL	10μH
	C6131	NCBA1AK-104W	CAPACITOR	0.1μF,10V		L4802	NQL302N-100X	COIL	10μH
	C6132	NCBA1AK-104W	CAPACITOR	0.1μF,10V		L4851	NQR0129-002X	FERRITE BEAD	
	C6134	NCBA1AK-104W	CAPACITOR	0.1μF,10V		L4852	NQL315K-100X	COIL	10μH
	C6201	NCB21CK-105X	CAPACITOR	1μF,16V		L4853	NQL315K-100X	COIL	10μH
	C6202	NCB10JK-106X	CAPACITOR	10μF,6.3V		L5501	NQL315K-100X	COIL	10μH
	C6203	NCBA1HK-102W	CAPACITOR	0.001μF,50V		L5502	NQR0129-002X	FERRITE BEAD	
	C6204	NCBA1HK-561W	CAPACITOR	560pF,50V		L5503	NQR0129-002X	FERRITE BEAD	
	C6205	NCB30JK-105X	CAPACITOR	1μF,6.3V		L5504	NQR0129-002X	FERRITE BEAD	
	C6206	NCB21CK-105X	CAPACITOR	1μF,16V		L5505	NQL315K-100X	COIL	10μH
	C6207	NCB10JK-106X	CAPACITOR	10μF,6.3V		L5506	NQL315K-100X	COIL	10μH
	C6208	NCBA1EK-472W	CAPACITOR	0.0047μF,25V		L6101	NQLZ011-4R7X	COIL	4.7μH
	C6209	NCB21CK-105X	CAPACITOR	1μF,16V		L6102	NQLZ011-4R7X	COIL	4.7μH
	C6210	NCB10JK-106X	CAPACITOR	10μF,6.3V		L6201	NQL52EM-390X	COIL	39μH
	C6211	NCBA1HK-102W	CAPACITOR	0.001μF,50V		L6202	NQL52EM-390X	COIL	39μH
	C6212	NCB21CK-105X	CAPACITOR	1μF,16V		L6203	NQL52EM-390X	COIL	39μH
	C6213	NCB30JK-105X	CAPACITOR	1μF,6.3V		L6204	NQL144K-220X	COIL	22μH
	C6214	NCB21CK-105X	CAPACITOR	1μF,16V		L6205	NQL64EM-220X	COIL	22μH
	C6215	NCB21CK-105X	CAPACITOR	1μF,16V		L6206	NQLZ011-470X	COIL	47μH
	C6216	NCBA1AK-683W	CAPACITOR	0.068μF,10V		L6207	NQLZ011-470X	COIL	47μH
	C6217	NCB21CK-105X	CAPACITOR	1μF,16V		L6208	NQLZ011-221X	COIL	220μH
	C6218	NCB21CK-105X	CAPACITOR	1μF,16V		L6701	NQLZ010-100X	COIL	10μH
	C6219	NCB21CK-224X	CAPACITOR	0.22μF,16V		X1001	NAX0474-001X	C OSCILLATOR	
	C6220	NCB21CK-105X	CAPACITOR	1μF,16V		X1002	NAX0325-001X	CRYSTAL RESONATOR	
	C6221	NCB11EK-105X	CAPACITOR	1μF,25V		X1401	NAX0204-001X	CRYSTAL RESONATOR	
	C6222	NCB11EK-105X	CAPACITOR	1μF,25V		X3002	NAX0480-001X	CRYSTAL RESONATOR	
	C6224	NCBA1HK-102W	CAPACITOR	0.001μF,50V		X5501	NAX0356-001X	CXO	
	C6225	NCBA1CK-103W	CAPACITOR	0.01μF,16V		WR1	WJT0065-001A	E-CARD WIRE,CN102-JACK CN502	
	C6226	NCB21CK-105X	CAPACITOR	1μF,16V		WR2	WJJ0268-001A	E-SI C WIRE C-C,CN104-REAR CN552	
	C6227	NCB11EK-105X	CAPACITOR	1μF,25V		WR3	WJM0297-001A	E-SI C WIRE C-F,C4201/TL4202-CCD WR1	
	C6228	NCB11EK-105X	CAPACITOR	1μF,25V		CN101	QGF0508F1-40X	FPC CONNECTOR	
	C6230	NCB21CK-105X	CAPACITOR	1μF,16V		CN102	QGF0505F2-24X	FPC CONNECTOR	
	C6231	NCBA1CK-103W	CAPACITOR	0.01μF,16V		CN103	QGF0503C1-12V	FFC/FPC CONNECTOR	

#	△ REF No.	PART No.	PART NAME, DESCRIPTION
	CN104	QGA1002C1-06X	CONNECTOR
	CN105	QGB0801K2-30X	CONNECTOR
	CN106	QGA1201C2-07X	CONNECTOR
	CN107	QGF0503C1-20X	FFC/FPC CONNECTOR
	CN108	QGF0512C1-24X	FPC CONNECTOR
	CN109	QGF0507F4-15X	FFC/FPC CONNECTOR
	CN110	QGF0505F1-08X	FPC CONNECTOR
	CN111	QGB0501L1-80X	CONNECTOR
	CN112	QGF0505F2-18X	FPC CONNECTOR
	CN113	QGF0508F1-33X	FPC CONNECTOR
△	F6101	NMFZ007-2R0X-K	FUSE T2.0A
	OT1	LY43491-001A	SHEET(MAIN)
	OT2	LY43549-001A	SHEET(MECHA)
	OT3	LY43770-001A	SPACER(CAPSTAN)
	OT4	LY43770-002A	SPACER(CAPSTAN)
	SD1	LY32080-001A	SHIELD CASE

#	△ REF No.	PART No.	PART NAME, DESCRIPTION
	R8054	NRSA6AJ-0R0W	MG RESISTOR 0Ω,1/16W
	R8055	NRSA6AJ-0R0W	MG RESISTOR 0Ω,1/16W
	R8058	NRSA6AJ-0R0W	MG RESISTOR 0Ω,1/16W
	R8061	NRSA6AJ-0R0W	MG RESISTOR 0Ω,1/16W
	R8062	NRSA6AJ-0R0W	MG RESISTOR 0Ω,1/16W
	R8063	NRSA6AJ-220W	MG RESISTOR 22Ω,1/16W
	R8065	NRSA6AJ-0R0W	MG RESISTOR 0Ω,1/16W
	R8066	NRSA6AJ-473W	MG RESISTOR 47kΩ,1/16W
	R8068	NRSA6AJ-561W	MG RESISTOR 560Ω,1/16W
	R8069	NRSA6AJ-0R0W	MG RESISTOR 0Ω,1/16W
	R8070	NRSA6AJ-220W	MG RESISTOR 22Ω,1/16W
	R8073	NRSA6AJ-0R0W	MG RESISTOR 0Ω,1/16W
	RA8001	NRZ0034-101W	NETWORK RESISTOR 100Ω
	RA8002	NRZ0034-101W	NETWORK RESISTOR 100Ω
	RA8003	NRZ0034-101W	NETWORK RESISTOR 100Ω
	RA8004	NRZ0034-101W	NETWORK RESISTOR 100Ω
	C8001	NBE20JM-106X	T CAPACITOR 10μF,6.3V
	C8002	NBE20JM-106X	T CAPACITOR 10μF,6.3V
	C8003	NBE20JM-106X	T CAPACITOR 10μF,6.3V
	C8004	NCBA1AK-104W	CAPACITOR 0.1μF,10V
	C8005	NCBA1AK-104W	CAPACITOR 0.1μF,10V
	C8006	NBE20JM-106X	T CAPACITOR 10μF,6.3V
	C8007	NCBA1AK-104W	CAPACITOR 0.1μF,10V
	C8008	NCBA1AK-104W	CAPACITOR 0.1μF,10V
	C8010	NCBA1AK-104W	CAPACITOR 0.1μF,10V
	C8011	NCBA1AK-104W	CAPACITOR 0.1μF,10V
	C8014	NCBA1AK-104W	CAPACITOR 0.1μF,10V
	C8015	NCBA1AK-104W	CAPACITOR 0.1μF,10V
	C8016	NCBA1AK-104W	CAPACITOR 0.1μF,10V
	C8017	NCBA1AK-104W	CAPACITOR 0.1μF,10V
	C8018	NCBA1AK-104W	CAPACITOR 0.1μF,10V
	C8019	NCBA1AK-104W	CAPACITOR 0.1μF,10V
	C8020	NCBA1AK-104W	CAPACITOR 0.1μF,10V
	C8021	NBE20JM-106X	T CAPACITOR 10μF,6.3V
	C8022	NCBA1AK-104W	CAPACITOR 0.1μF,10V
	C8023	NCBA1AK-104W	CAPACITOR 0.1μF,10V
	C8024	NCBA1AK-104W	CAPACITOR 0.1μF,10V
	C8025	NCBA1AK-104W	CAPACITOR 0.1μF,10V
	C8026	NCBA1AK-104W	CAPACITOR 0.1μF,10V
	C8027	NCB30JK-105X	CAPACITOR 1μF,6.3V
	C8028	NCBA1AK-104W	CAPACITOR 0.1μF,10V
	C8029	NBE20JM-106X	T CAPACITOR 10μF,6.3V
	C8030	NCBA1CK-103W	CAPACITOR 0.01μF,16V
	L8001	NQR0129-002X	FERRITE BEAD
	L8002	NQR0129-002X	FERRITE BEAD
	L8003	NQR0129-002X	FERRITE BEAD
	L8004	NQR0129-002X	FERRITE BEAD
	L8005	NQR0129-002X	FERRITE BEAD
	L8006	NQR0129-002X	FERRITE BEADS
	X8002	NAX0398-001X	C OSCILLATOR
	CN8001	QGB0501M1-80X	CONNECTOR
	CN8002	QGF0508F1-10X	FPC CONNECTOR
	OT1	LY30029-0X3A	SPACER(A)

\*\*\*\*\*

**DSC BOARD ASSEMBLY <10>**

PW	YB20915C-03	DSC BOARD ASSY
IC8001	TMS320DSC24GHK	IC
	or TMX320DSC24GHK	IC
IC8002	K4S641632E-TC1H	IC
IC8003	MBV160TE90PTA39	IC(MICRO C ROM)
IC8004	S-80842ANNP-W	IC
IC8006	BU2288FV	IC
IC8007	MM1385EN	IC
Q8001	DTA114EE	DIGI TRANSISTOR
D8001	RB751V-40-X	SB DIODE
R8001	NRSA6AJ-103W	MG RESISTOR 10kΩ,1/16W
R8002	NRSA6AJ-103W	MG RESISTOR 10kΩ,1/16W
R8003	NRSA6AJ-103W	MG RESISTOR 10kΩ,1/16W
R8005	NRSA6AJ-0R0W	MG RESISTOR 0Ω,1/16W
R8006	NRSA6AJ-153W	MG RESISTOR 15kΩ,1/16W
R8007	NRSA6AJ-472W	MG RESISTOR 4.7kΩ,1/16W
R8009	NRSA6AJ-472W	MG RESISTOR 4.7kΩ,1/16W
R8016	NRSA6AJ-103W	MG RESISTOR 10kΩ,1/16W
R8017	NRSA6AJ-103W	MG RESISTOR 10kΩ,1/16W
R8020	NRSA6AJ-0R0W	MG RESISTOR 0Ω,1/16W
R8022	NRSA6AJ-105W	MG RESISTOR 1MΩ,1/16W
R8025	NRSA6AJ-0R0W	MG RESISTOR 0Ω,1/16W
R8026	NRSA6AJ-0R0W	MG RESISTOR 0Ω,1/16W
R8027	NRSA6AJ-152W	MG RESISTOR 1.5kΩ,1/16W
R8028	NRS181J-270X	MG RESISTOR 27Ω,1/8W
R8029	NRS181J-270X	MG RESISTOR 27Ω,1/8W
R8030	NRSA6AJ-105W	MG RESISTOR 1MΩ,1/16W
R8031	NRSA6AJ-105W	MG RESISTOR 1MΩ,1/16W
R8032	NRSA6AJ-0R0W	MG RESISTOR 0Ω,1/16W
R8034	NRSA6AJ-0R0W	MG RESISTOR 0Ω,1/16W
R8036	NRSA6AJ-105W	MG RESISTOR 1MΩ,1/16W
R8037	NRSA6AJ-103W	MG RESISTOR 10kΩ,1/16W
R8038	NRSA6AJ-220W	MG RESISTOR 22Ω,1/16W
R8043	NRSA6AJ-220W	MG RESISTOR 22Ω,1/16W
R8046	NRSA6AJ-0R0W	MG RESISTOR 0Ω,1/16W
R8048	NRSA6AJ-0R0W	MG RESISTOR 0Ω,1/16W
R8050	NRSA6AJ-0R0W	MG RESISTOR 0Ω,1/16W
R8051	NRSA6AJ-0R0W	MG RESISTOR 0Ω,1/16W
R8053	NRSA6AJ-0R0W	MG RESISTOR 0Ω,1/16W