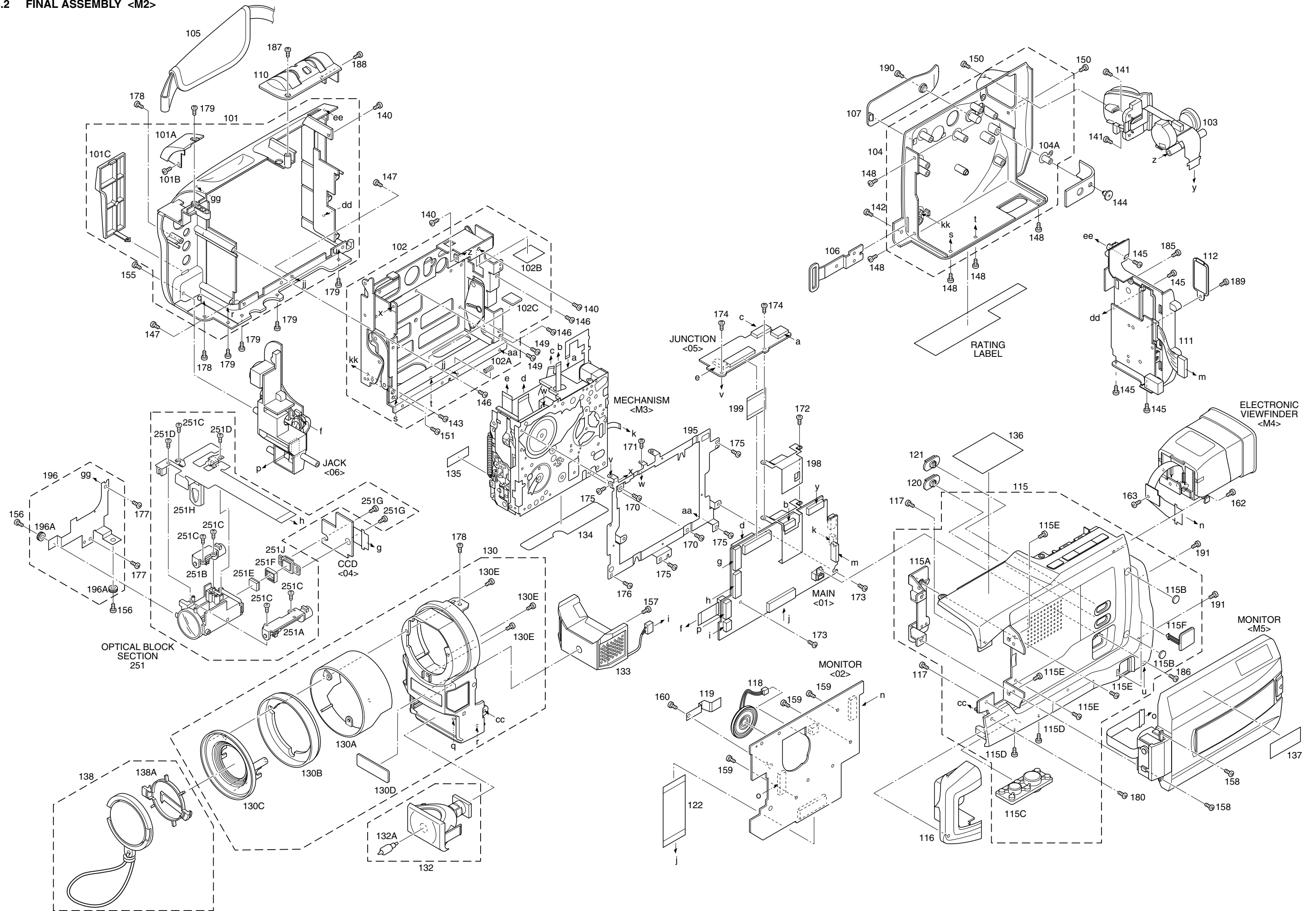




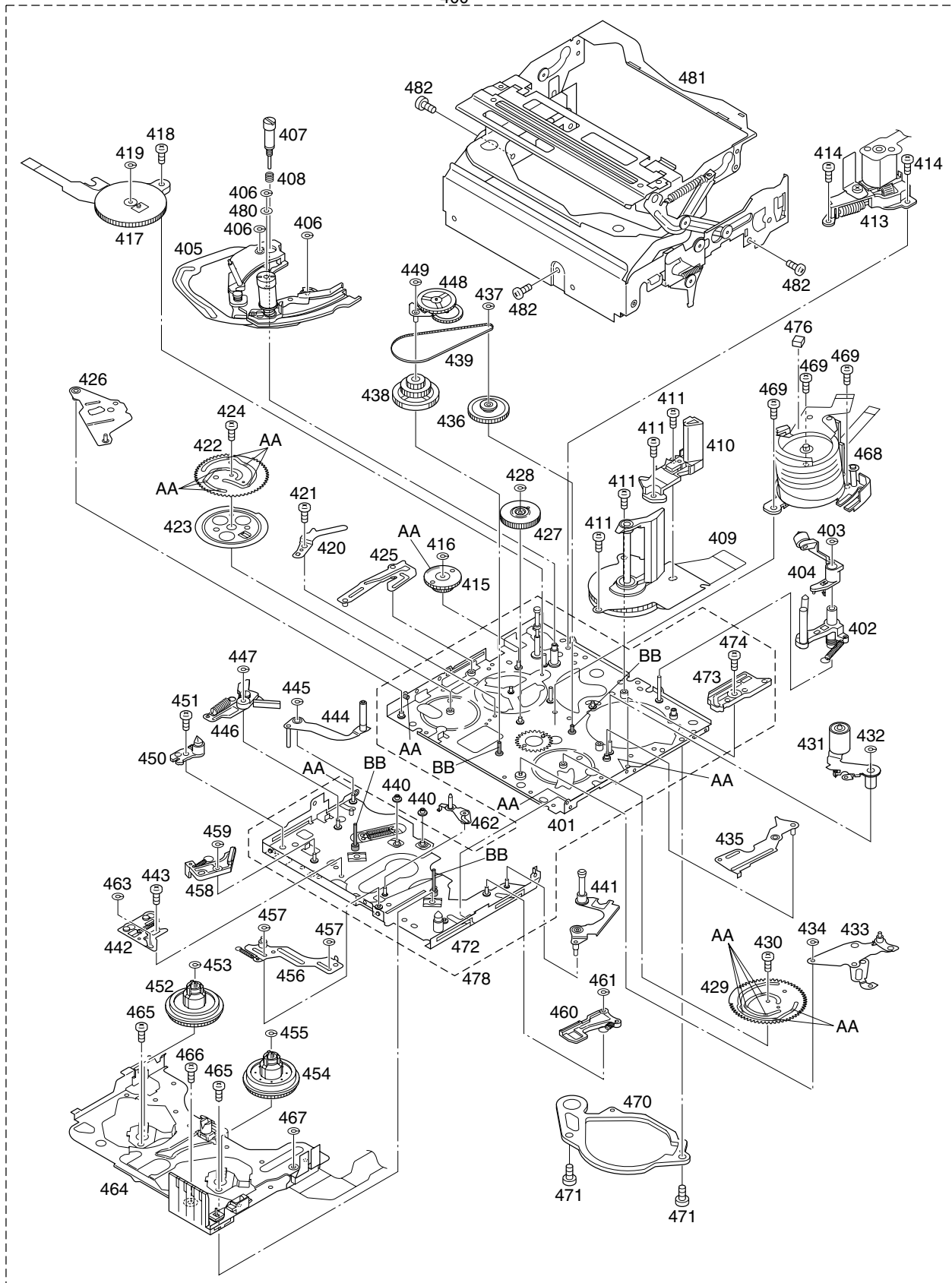
5.2 FINAL ASSEMBLY <M2>



#	△ REF No.	PART No.	PART NAME, DESCRIPTION	#	△ REF No.	PART No.	PART NAME, DESCRIPTION
*****				148		LY30018-038A	SPECIAL SCREW,X5
<b>FINAL ASSEMBLY &lt;M2&gt;</b>				149		LY30018-084A	SPECIAL SCREW,X2
101		LY20706-003C	LOWER CASE ASSY	150		LY30018-084A	SPECIAL SCREW,X2
101A		LY32098-001A	WINDOW(IR)	151		LY30018-023A	SPECIAL SCREW
101B		LY30018-063A	SPECIAL SCREW	155		LY30018-084A	SPECIAL SCREW
101C		LY32099-001C	COVER(JACK)	156		LY30019-029B	SPECIAL SCREW,X2
102		LY20697-001B	ARM ASSY	157		LY30018-023A	SPECIAL SCREW
102A		LY30001-023A	TENSION SPRING	158		LY30018-0D6A	SPECIAL SCREW,X2
102B		LY30029-0C7A	SPACER(A)	159		LY30018-023A	SPECIAL SCREW,X3
102C		LY30029-0E9A	SPACER(A)	160		LY30018-006B	SPECIAL SCREW
103		LY20693-001A	ZOOM UNIT	162		LY30018-063A	SPECIAL SCREW
104		LY20704-001A	CASSETTE COVER ASSY	163		LY30018-064A	SPECIAL SCREW
104A		LY40592-001A	CAP(GRIP BELT)	170		LY30019-026A	SPECIAL SCREW,X2
105		LY20575-004B	GRIP BELT	171		YQ43893-4	MINI SCREW
106		LY42891-001A	HOOK(GRIP)	172		YQ43893-4	MINI SCREW
107		LY32092-013A	COVER(AJUST)	173		LY30019-033A	SPECIAL SCREW,X2
110		LY32093-001A	COVER(ZOOM)ASSY	174		QYSPSPT1730Z	SCREW,X2
111		LY20725-001A	REAR UNIT	175		LY30018-066A	SPECIAL SCREW,X4
112		LY41691-001A	COVER(JIG)	176		LY30018-084A	SPECIAL SCREW
115		LY20707-007A	UPPER CASE(2.5)ASSY,A,B,C,D	177		LY30018-084A	SPECIAL SCREW,X2
		LY20717-004B	UPPER CASE3/3.5ASSY,E,F,G,H	178		LY30018-084A	SPECIAL SCREW,X3
115A		LY32101-001A	BRACKET	179		LY30018-084A	SPECIAL SCREW,X5
115B		LY40664-001A	SPACER,X2	180		LY30018-092A	SPECIAL SCREW
115C		LY31019-001A	BASE	185		LY30018-065A	SPECIAL SCREW
115D		LY30018-084A	SPECIAL SCREW,X2	186		LY30018-006B	SPECIAL SCREW
115E		LY30018-0A8A	SPECIAL SCREW,X4	187		LY30018-092A	SPECIAL SCREW
115F		LY42866-001A	CAP(DC JACK)	188		LY30018-065A	SPECIAL SCREW
116		LY32106-001A	COVER(HINGE)	189		LY30018-037A	SPECIAL SCREW
117		LY30018-084A	SPECIAL SCREW,X2	190		LY30018-037A	SPECIAL SCREW
118		QAS0048-001	SPEAKER	191		LY30018-084A	SPECIAL SCREW,X2
119		LY42167-001A	PLATE(SPK)	195		LY20696-001A	BRACKET(MECHA)
120		LY42919-001A	KNOB(SLIDE)	196		LY42846-001A	BKT(OP) ASSY
121		LY42919-002A	KNOB(SLIDE)	196A		LY42796-001A	BUSH,X2
122		QUQ105-5007AA	FFC WIRE,MAIN CN101-MONI CN761	198		LY32081-001A	SHIELD PLATE
△ 130		LY20711-003A	FRONT COVER ASSY	199		WJT0044-001A	E-CARD WIRE,MAIN CN113-JUNC CN571
130A		LY32111-002A	HOOD	<b>- OPTICAL BLOCK SECTION -</b>			
130B		LY32112-001A	RING	251		J7A-233A	OPTICAL BLOCK ASSY
130C		LY32113-001A	HOOD(SCREW)	251A		LY30723-001B	ZOOM MOTOR
130D		LY42953-001A	MARK	251B		LY30724-001B	FOCUS MOTOR
130E		LY30018-052A	SPECIAL SCREW,X3	251C		LY30727-002A	SCREW,X5
132		LY31617-002A	DC LIGHT ASSY	251D		LY30727-001A	SCREW,X2
132A		YQ44266	LAMP	251E		LY42936-001A	OPTICAL LPF
133		LY32114-001A	MICROPHONE	251F		LY31639-001A	SPACER RUBBER
134		LY40698-002A	LABEL(HOUSING)	251G		QYSPSGU1750Z	SCREW,X2
135		LY40699-002A	LABEL(PUSH)	251H		LY32160-001A	IRIS MOTOR
136		LY43093-004A	STICKER(TOP),A,B	251J		YS40168F	CCD BASE ASSY
		LY43093-005A	STICKER(TOP),C,D				
		LY43093-006A	STICKER(TOP),E,F				
		LY43093-007A	STICKER(TOP),G,H				
137		LY43094-003A	STICKER(SIDE),C,D,G,H				
		LY43094-004A	STICKER(SIDE),A,B,E,F				
138		LY42182-002A	CAP(HOOD)ASSY				
138A		LY31627-001A	SPRING				
140		LY30018-084A	SPECIAL SCREW,X3				
141		LY30018-096A	SPECIAL SCREW,X2				
142		LY30018-038A	SPECIAL SCREW				
143		LY30018-084A	SPECIAL SCREW				
144		LY30018-0D1A	SPECIAL SCREW				
145		LY30018-084A	SPECIAL SCREW,X4				
146		LY30018-084A	SPECIAL SCREW,X3				
147		LY30018-038A	SPECIAL SCREW,X2				

5.3 MECHANISM ASSEMBLY <M3>

400



Classification	Part No.	Symbol in drawing
Grease	KYODO-SH-P	AA
Oil	YTU94027	BB

**NOTE:**The section marked in **AA** and **BB** indicate lubrication and greasing areas.

# ▲ REF No. PART No. PART NAME, DESCRIPTION  
 \*\*\*\*\*

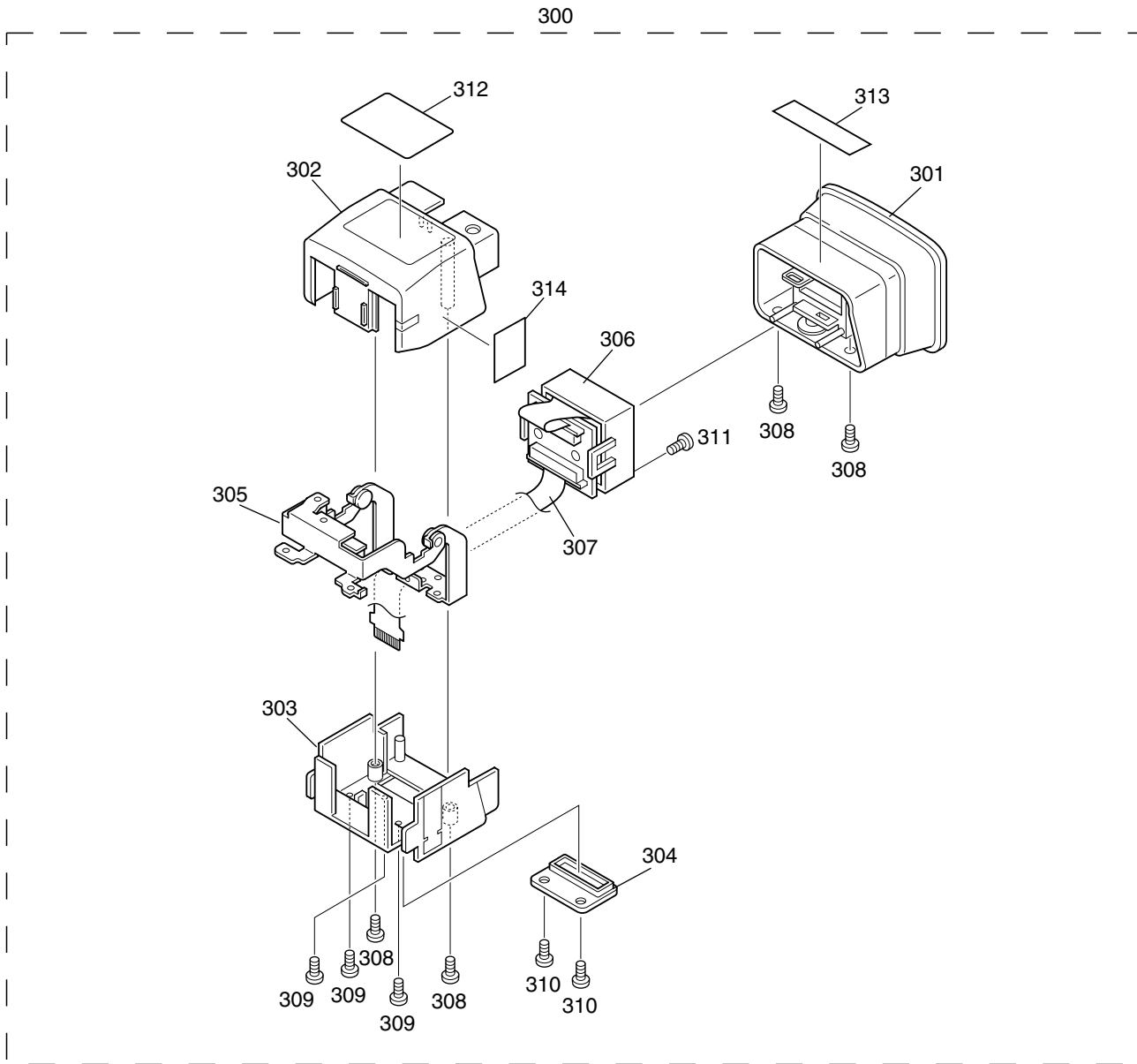
**MECHANISM ASSEMBLY <M3>**

400	YMA0025H	MECHA(A)ASSY
401	LY10077-001M	MAIN DECK ASSY
402	LY30436-001G	SLANT POLE ARM ASSY
403	YQ44246	SLIT WASHER
404	LY30438-001B	CLEANER ARM ASSY
405	LY10080-001V	RAIL ASSY
406	YQ44246	SLIT WASHER,X3
407	LY40353-001D	GUIDE ROLLER(S)ASSY
408	LY30002-006C	COMPRESSION SPRING
409	QAR0026-002	CAPSTAN MOTOR
410	LY30504-001C	CATCHER(T)ASSY
411	YQ43893	MINI SCREW,X4
413	LY30448-001H	MOTOR BKT ASSY
414	YQ43893	MINI SCREW,X2
415	LY30449-001C	WORM WHEEL
416	YQ44246	SLIT WASHER
417	LY40496-001C	ROTARY ENCODER
418	YQ43893	MINI SCREW
419	YQ44246	SLIT WASHER
420	LY40614-001B	GEAR HOLDER
421	YQ43893-6	MINI SCREW
422	LY30450-001C	MAIN CAM
423	LY30840-001A	BRAKE CTL PLATE
424	YQ43893	MINI SCREW
425	LY40373-001C	TC LEVER ASSY
426	LY30452-001G	SLIDE LEVER ASSY
427	LY30454-001A	CONNECT GEAR
428	YQ44246	SLIT WASHER
429	LY30455-001B	SUB CAM
430	YQ43893	MINI SCREW
431	LY30456-001F	PINCHROLLER ARM ASSY
432	YQ44246	SLIT WASHER
433	LY30459-001A	CHARGE ARM ASSY
434	YQ44246	SLIT WASHER
435	LY40387-001D	BC LEVER ASSY
436	LY40389-001D	REEL DRIVE PULLEY ASSY
437	YQ44246-2	SLIT WASHER
438	LY40391-002B	CENTER GEAR ASSY
439	LY40396-001A	TIMING BELT
440	LY40413-001A	COLLAR,X2
441	LY30468-001E	GUIDE ARM ASSY
442	LY30618-001C	SLIDE GUIDE PLATE ASSY
443	YQ43893-2	MINI SCREW
444	LY40420-001J	TENSION ARM ASSY
445	YQ44246	SLIT WASHER
446	LY30471-001D	PAD ARM ASSY
447	YQ44246	SLIT WASHER
448	LY40432-001H	IDLER ARM ASSY
449	YQ44246-2	SLIT WASHER
450	LY30476-001A	GUIDE PIN(S)
451	YQ43893	MINI SCREW
452	LY40441-001B	REEL DISK(SUPPLY)ASSY
453	YQ44246	SLIT WASHER
454	LY40443-001B	REEL DISK(TAKE-UP)ASSY
455	YQ44246	SLIT WASHER
456	LY30477-001F	CTL PLATE ASSY
457	YQ44246	SLIT WASHER,X2
458	LY40444-001E	LOADING BRAKE ASSY
459	YQ44246	SLIT WASHER

# ▲ REF No. PART No. PART NAME, DESCRIPTION  
 -----

460	LY40452-001C	SUB BRAKE ASSY
461	YQ44246	SLIT WASHER
462	LY30479-001E	RELEASE GUIDE ASSY
463	YQ44246	SLIT WASHER
464	LY20146-001H	REEL COVER ASSY
465	YQ43893-4	MINI SCREW,X2
466	YQ43893	MINI SCREW
467	YQ44246	SLIT WASHER
468	YDV2086K	DRUM ASSY
469	YQ43893	MINI SCREW,X3
470	LY20138-001D	PWB HOLDER
471	YQ43893	MINI SCREW,X2
472	LY10082-001L	SLIDE DECK ASSY
473	LY30462-001B	LOADING GUIDE
474	YQ43893	MINI SCREW
476	LY30018-0M1A	SPACER-A
478	LY30496-001W	DECK ASSY
480	LY41573-001A	WASHER
481	LY30483-001Q	CASSETTE HOUSING ASSY
482	YQ43893-4	MINI SCREW,X3

5.4 ELECTRONIC VIEWFINDER ASSEMBLY <M4> [GR-DVL555EG/EK, 557EG]



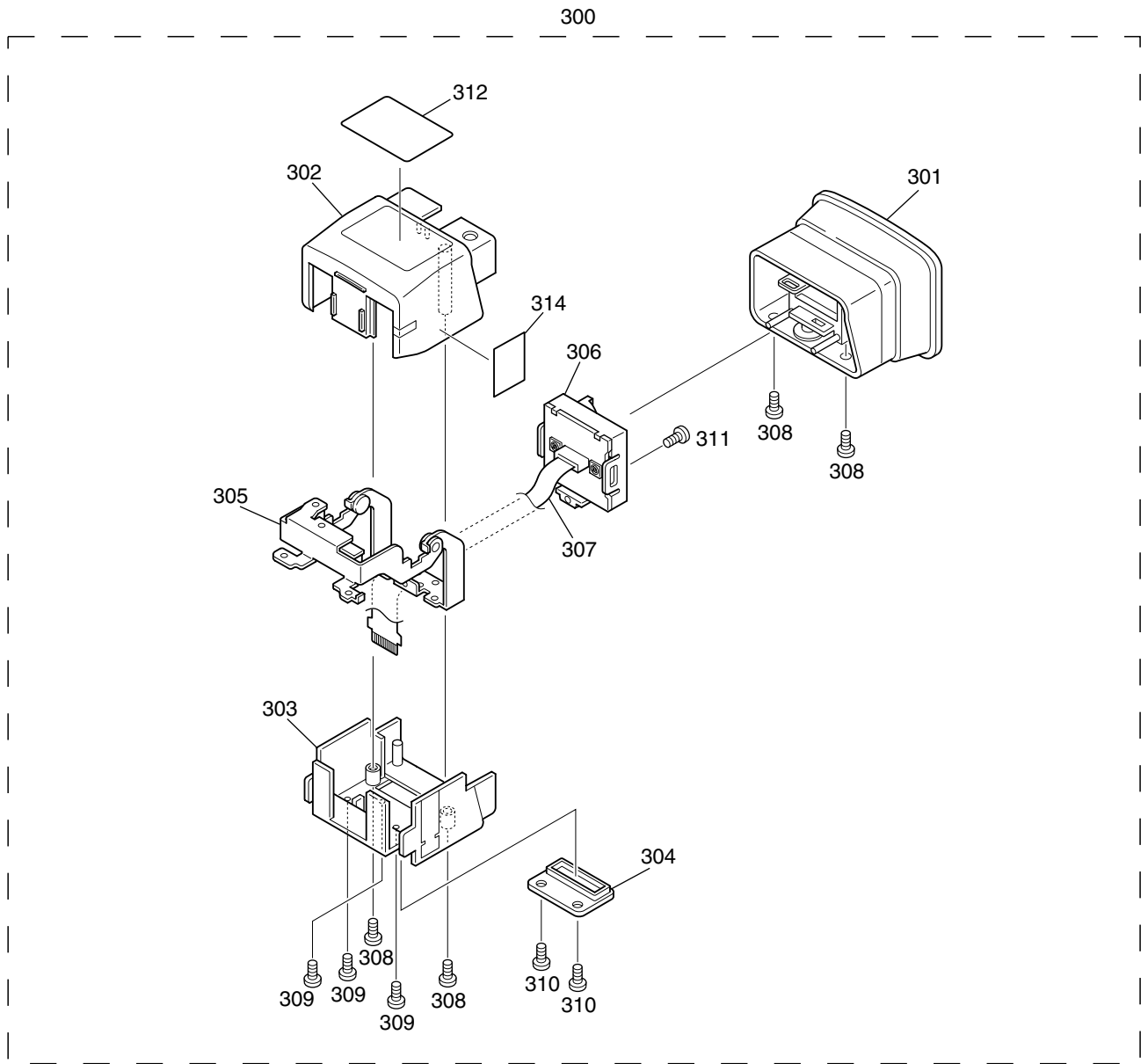
# Δ REF No. PART No. PART NAME, DESCRIPTION  
 \*\*\*\*\*

**ELECTRONIC VIEWFINDER ASSEMBLY <M4>**

300	LY20712-002B	VF ASSY,E,G
	LY20712-004A	VF ASSY,F
301	PTY20712-001	EYE PIECE ASSY
302	PTY20712-011	TOP CASE SUB ASSY
303	PTY20712-021	BOTTOM CASE
304	PTY20712-022	CAP(VF)

# Δ REF No.	PART No.	PART NAME, DESCRIPTION
	305	PTY20712-031 HINGE ASSY
	306	PTY20712-041 LCD ASSY
	307	QAL0287-001 FPC
	308	LY30018-063A SPECIAL SCREW,X4
	309	LY30018-055A SPECIAL SCREW,X3
	310	LY30018-035A SPECIAL SCREW,X2
	311	PTY20712-051 SCREW
	312	LY41701-002A SHEET(CAUTION)1
	313	LY40074-001A LABEL/COLOR
	314	LY43041-002A LABEL(VF)

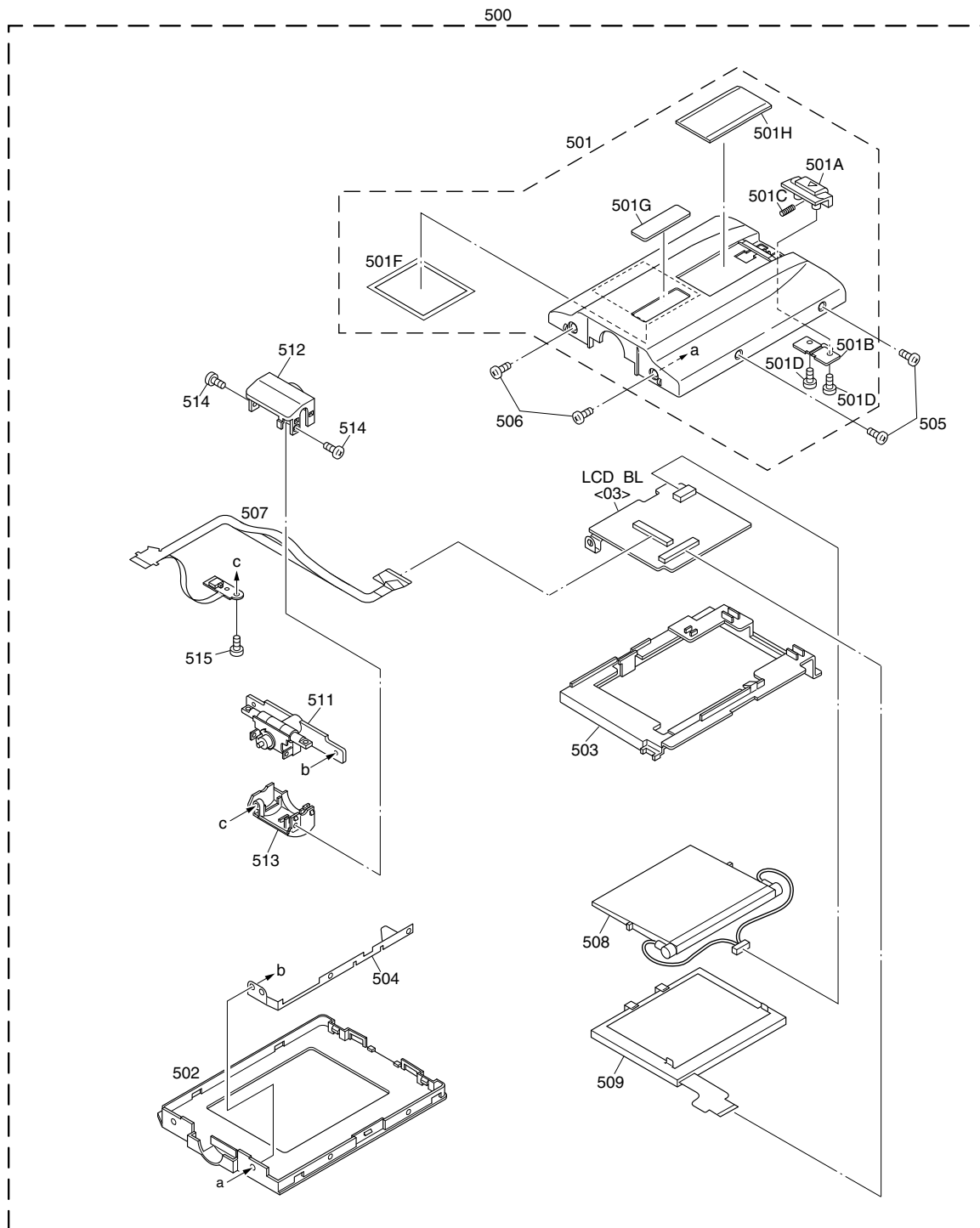
5.4 ELECTRONIC VIEWFINDER ASSEMBLY <M4> [GR-DVL355EG/EK, 357EG/EK, 557EK]



#	△	REF No.	PART No.	PART NAME, DESCRIPTION
*****				
<b>ELECTRONIC VIEWFINDER ASSEMBLY &lt;M4&gt;</b>				
300			LY20744-002B	VF UNIT,A,C,H
			LY20744-003A	VF UNIT,B,D
301			PTY20744-001	EYE PIECE ASSY
302			PTY20712-011	TOP CASE SUB ASSY
303			PTY20712-021	BOTTOM CASE
304			PTY20712-022	CAP(VF)

#	△	REF No.	PART No.	PART NAME, DESCRIPTION
305			PTY20712-031	HINGE ASSY
306			PTY20744-041	LCD ASSY
307			QAL0288-001	FPC
308			LY30018-063A	SPECIAL SCREW,X4
309			LY30018-055A	SPECIAL SCREW,X3
310			LY30018-035A	SPECIAL SCREW,X2
311			PTY20744-051	SCREW
312			LY41701-002A	SHEET(CAUTION)1
314			LY43041-002A	LABEL(VF)

5.5 MONITOR ASSEMBLY <M5> [GR-DVL355EG/EK, 357EG/EK]



# ▲ REF No. PART No. PART NAME, DESCRIPTION  
 \*\*\*\*\*

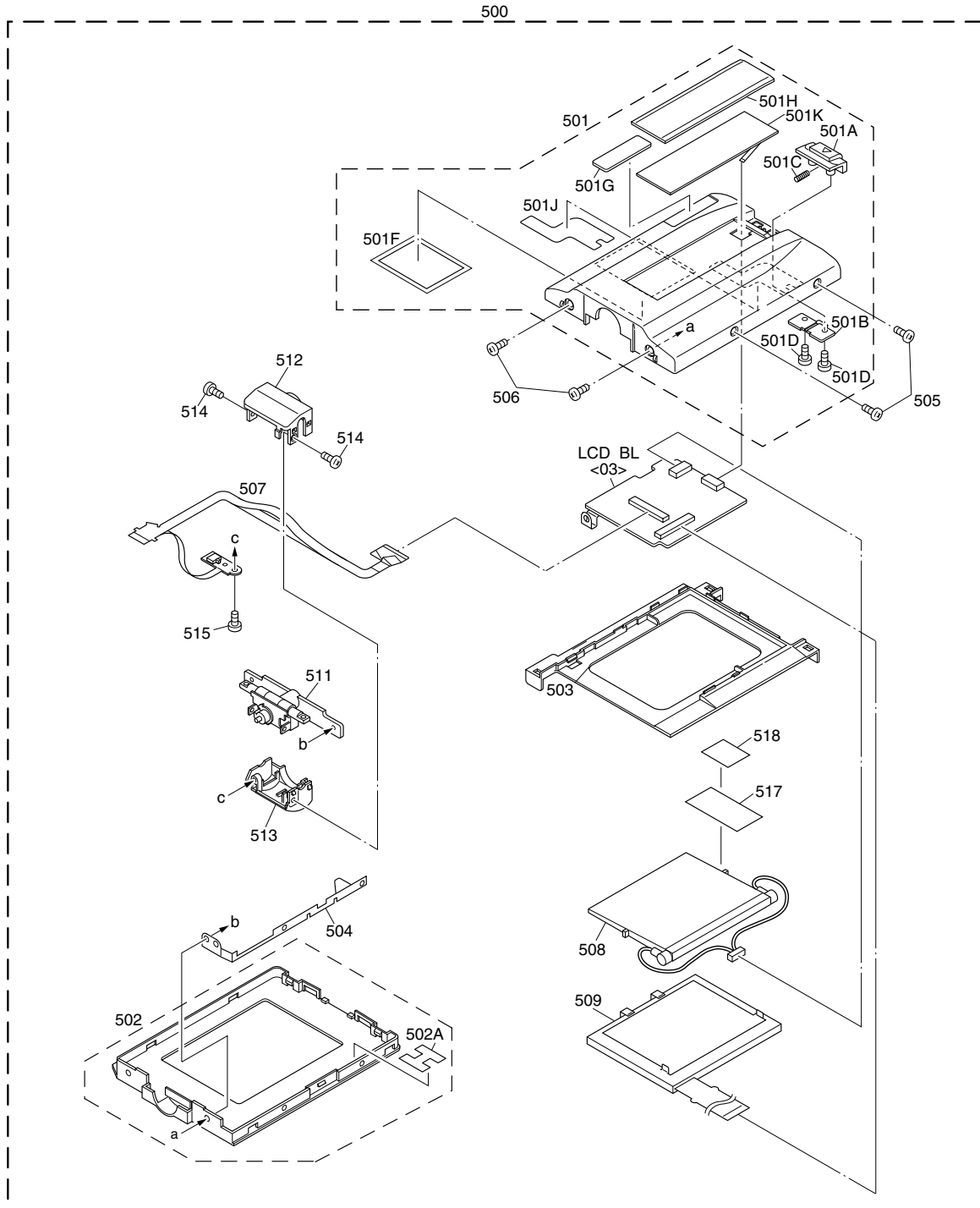
**MONITOR ASSEMBLY <M5>**

# ▲	REF No.	PART No.	PART NAME, DESCRIPTION
▲	500	LYH20246-010B	MONITOR ASSY
▲	501	LY20721-003B	MONITOR COVER(2.5)ASSY
	501A	LY31620-001A	KNOB(LOCK 1)
	501B	LY42180-001A	KNOB(LOCK 2)
	501C	LY30002-044A	COMPRES. SPRING
	501D	LY30018-084A	SPECIAL SCREW,X2
	501F	LY40559-001A	SHIELD SHEET
	501G	LY42883-001A	MARK
	501H	LY32087-002B	WINDOW
	502	LY10264-001A	MONITOR CASE(2.5)

# ▲	REF No.	PART No.	PART NAME, DESCRIPTION
	503	LY20674-001A	HOLDER(2.5PWB)
	504	LY31622-001A	BRACKET(EARTH)
	505	QYSPSPT1730R	SCREW,X2
	506	QYSLSP2040D	SCREW,X2
	507	LY31743-001A	MONITOR FPC ASSY
	508	QLL0093-001	BACK LIGHT
	509	QLD0154-001	LCD MODULE
	511	LY32079-001A	HINGE ASSY
	512	LY32088-001A	HINGE COVER(1)
	513	LY32089-001A	HINGE COVER(2)
	514	LY30018-058A	SPECIAL SCREW,X2
	515	LY30018-023A	SPECIAL SCREW



5.5 MONITOR ASSEMBLY <M5> [GR-DVL555EG/EK, 557EG/EK]



# ▲ REF No. PART No. PART NAME, DESCRIPTION  
 \*\*\*\*\*

**MONITOR ASSEMBLY <M5>**

# ▲	REF No.	PART No.	PART NAME, DESCRIPTION
△	500	LYH20246-011A	MONITOR ASSY
△	501	LY20721-002B	MONITOR COVER(3.5)ASSY
	501A	LY31620-001A	KNOB(LOCK 1)
	501B	LY42180-001A	KNOB(LOCK 2)
	501C	LY30002-044A	COMPRES. SPRING
	501D	LY30018-084A	SPECIAL SCREW,X2
	501F	LY40559-001A	SHIELD SHEET
	501G	LY42883-001A	MARK
	501H	LY32121-002B	WINDOW
	501J	LY42386-001A	EARTH MON
	501K	LY42193-001A	EL(WINDOW)
	502	LY20598-002A	MONITOR CASE ASSY

# ▲ REF No. PART No. PART NAME, DESCRIPTION

	502A	LY42388-001A	EARTH MON(2)
	503	LY20568-001A	HOLDER(3.5PWB)
	504	LY31622-001A	BRACKET(EARTH)
	505	QYSPSPT1730R	SCREW,X2
	506	QYSLSP2040D	SCREW,X2
	507	LY31743-001A	MONITOR FPC ASSY
	508	QLL0081-001	BACK LIGHT
	509	QLD0096-002	LCD MODULE
	511	LY32079-001A	HINGE ASSY
	512	LY32088-001A	HINGE COVER(1)
	513	LY32089-001A	HINGE COVER(2)
	514	LY30018-058A	SPECIAL SCREW,X2
	515	LY30018-023A	SPECIAL SCREW
	517	LY30029-0A5A	SPACER(A)
	518	PU59915-105	#500SPACER0.01

5.6 ELECTRICAL PARTS LIST

MODEL	MARK	MODEL	MARK
GR-DVL355EG	A	GR-DVL555EG	E
GR-DVL355EK	B	GR-DVL555EK	F
GR-DVL357EG	C	GR-DVL557EG	G
GR-DVL357EK	D	GR-DVL557EK	H

#	△ REF No.	PART No.	PART NAME, DESCRIPTION
*****			
<b>MAIN BOARD ASSEMBLY &lt;01&gt;</b>			
PW1		YB10317PB-05	MAIN BOARD ASSY,A,B,C,D,E,F,H
		YB10317PA-05	MAIN BOARD ASSY,G
IC1001		UPD703039F1-A03	IC(MICRO C ROM)
		or UPD70F3040F1A03	IC(MICRO C ROM)
IC1002		RS5C314	IC
IC1003		AT25160N-10SC-X	IC
		or X25170S8I-2.5-X	IC
		or 25LC160-I/SN-X	IC
IC1004		TC75S56FU	IC
IC1005		TC7S00FU	IC
		or SN74AHC1G00K	IC
IC1006		MB90097PFV139	IC(MICRO C ROM)
IC1007		TC74VHC08FT	IC(DIGITAL)
		or SN74LV08APW	IC
IC1008		TC7W66FK	IC
IC1009		IC-PST9323U-X	IC
IC1303		TC7S32FU	IC(DIGITAL)
		or SN74AHC1G32K	IC
IC1304		TC7S02FU	IC(DIGITAL)
		or SN74AHC1G02K	IC
IC1401		YQ44882A	CSP IC ASSY
IC1403		SN74AHC2G53T	IC,A,B,E
IC1404		TC7W14FU	IC(DIGITAL)
		or SN74AHC2G14T	IC
IC1601		BD6630KV	IC
IC2001		AK4560AVQ	IC
IC3001		JCY0133	IC
IC3002		JCY0136	IC
IC3003		TLC2940IPW	IC
IC3004		SN74AHC1G04K	IC
IC3006		JCY0164	IC
IC3007		SN74AHC2G53T	IC
IC3501		JCY0132	IC
IC3701		BA7665FS	IC
IC3901		JCP8029	IC,G
IC3951		MM1504XN	IC,G
IC4201		HD49326BF	IC
IC4202		MM1385HN	IC
IC4301		JCY0150	IC
IC4302		TMS4C2973-28-X	IC
IC4802		TA75W01FU	IC
IC4803		TA75W01FU	IC
IC4804		UPC358G2/5/-W	IC
IC4806		TC7W00FK	IC
IC4851		UPD16879GS	IC
IC5501		JCY0117	IC
IC6001		S-80842ANNP-W	IC
IC6101		FA3698F	IC
IC8001		JCY0076B	IC
IC8002		M32000D4AFP	IC(MICRO C ROM)
		or M32000D4BFP	IC(MICRO C ROM)
IC8003		MBV400TC90PTA10	IC(MICRO C ROM)
		or MBV400TC70PTA10	IC(MICRO C ROM)
		or 39VF400A7CEKA05	IC(MICRO C ROM)
		or 39VF400A9CEKA05	IC(MICRO C ROM)
IC8004		S-814A31AMC-W	IC
IC8006		TC7WHU04FU	IC
IC8007		TC7W32FK	IC
IC8051		TC7S32FU	IC(DIGITAL)

#	△ REF No.	PART No.	PART NAME, DESCRIPTION
		IC8052	SN74AHC2G53T IC
		IC8401	ML60851CLB IC
		IC8402	S-80842ANNP-W IC
		IC8403	S-814A33AMC-W IC
		Q1001	DTC124EE TRANSISTOR
		Q1002	2SC4617/RS/-X TRANSISTOR
		Q1003	DTC143EE TRANSISTOR
		Q1004	DTA114EE TRANSISTOR
			or PDTA114EE TRANSISTOR
			or RN2102 TRANSISTOR
		Q1005	DTC144EE TRANSISTOR
			or UN9213J TRANSISTOR
			or RN1104 TRANSISTOR
			or PDTC144EE TRANSISTOR
		Q1006	DTA114EE TRANSISTOR
			or PDTA114EE TRANSISTOR
			or RN2102 TRANSISTOR
		Q1007	DTC144EE TRANSISTOR
			or UN9213J TRANSISTOR
			or PDTC144EE TRANSISTOR
			or RN1104 TRANSISTOR
		Q1301	2SC4617/RS/-X TRANSISTOR
		Q1401	DTA114EE TRANSISTOR
			or PDTA114EE TRANSISTOR
			or RN2102 TRANSISTOR
		Q1402	UMC3N TRANSISTOR
		Q1403	UMC3N TRANSISTOR
		Q1404	DTC144EE TRANSISTOR
			or PDTC144EE TRANSISTOR
			or RN1104 TRANSISTOR
			or UN9213J TRANSISTOR
		Q1601	UMC3N TRANSISTOR
		Q2001	UMX1N PAIR TRANSISTOR
		Q2002	2SC4617/RS/-X TRANSISTOR
		Q2004	2SC4617/RS/-X TRANSISTOR
		Q3701	UMT2N PAIR TRANSISTOR
		Q3702	UMZ1N PAIR TRANSISTOR
		Q3703	2SC4617/RS/-X TRANSISTOR,G
		Q3951	UMZ1N PAIR TRANSISTOR,G
		Q3952	DTC144EE TRANSISTOR,G
			or PDTC144EE TRANSISTOR,G
			or RN1104 TRANSISTOR,G
			or UN9213J TRANSISTOR,G
		Q3953	UMZ1N PAIR TRANSISTOR,G
		Q3954	2SC4617/RS/-X TRANSISTOR,G
		Q4301	UMT2N PAIR TRANSISTOR
		Q4302	UMT2N PAIR TRANSISTOR
		Q4801	2SC4655/BC/-X TRANSISTOR
		Q4851	2SC4617/RS/-X TRANSISTOR
		Q6001	DTC144EE TRANSISTOR
			or PDTC144EE TRANSISTOR
			or RN1104 TRANSISTOR
			or UN9213J TRANSISTOR
		Q6002	2SK3019 MOS FET
		Q6003	2SJ347 MOS FET
		Q6004	2SB1121/TU/-X TRANSISTOR
		Q6101	2SK3019 MOS FET
		Q6102	2SK3019 MOS FET
		Q6201	NDS352AP MOS FET
		Q6202	2SA1577/RS/-X TRANSISTOR
		Q6203	SSM6J07FU MOS FET
		Q6204	CPH3304 MOS FET
		Q6205	CPH3101 TRANSISTOR

#	△ REF No.	PART No.	PART NAME, DESCRIPTION	#	△ REF No.	PART No.	PART NAME, DESCRIPTION		
		Q6206	2SC4617/RS/-X			R1024	NRSA6AJ-823W	MG RESISTOR	82kΩ, 1/16W
		Q6207	2SD1621/TU/-X			R1025	NRVA6AD-623W	CMF RESISTOR	62kΩ, 1/16W
		Q6208	SSM6J07FU			R1026	NRSA6AJ-104W	MG RESISTOR	100kΩ, 1/16W
		Q6210	SSM6J07FU			R1027	NRSA6AJ-104W	MG RESISTOR	100kΩ, 1/16W
		Q6211	NDS352AP			R1028	NRSA6AJ-185W	MG RESISTOR	1.8MΩ, 1/16W
		Q6212	HN1C01FU/G/-X			R1029	NRSA6AJ-473W	MG RESISTOR	47kΩ, 1/16W
			or PUMX1			R1030	NRSA6AJ-104W	MG RESISTOR	100kΩ, 1/16W
		Q6213	2SA1577/RS/-X			R1031	NRSA6AJ-102W	MG RESISTOR	1kΩ, 1/16W
		Q6214	DTC144EE			R1032	NRSA6AJ-104W	MG RESISTOR	100kΩ, 1/16W
			or PDC144EE			R1033	NRSA6AJ-102W	MG RESISTOR	1kΩ, 1/16W
			or RN1104			R1034	NRSA6AJ-102W	MG RESISTOR	1kΩ, 1/16W
			or UN9213J			R1035	NRSA6AJ-0R0W	MG RESISTOR	0Ω, 1/16W
		Q6215	HN1A01FU/G/-X			R1036	NRSA6AJ-0R0W	MG RESISTOR	0Ω, 1/16W
			or PUMT1			R1037	NRSA6AJ-103W	MG RESISTOR	10kΩ, 1/16W
		Q6216	2SC4617/RS/-X			R1038	NRSA6AJ-0R0W	MG RESISTOR	0Ω, 1/16W
		Q6217	UMZ1N			R1039	NRSA6AJ-103W	MG RESISTOR	10kΩ, 1/16W
		Q6701	TPC6102			R1040	NRSA6AJ-102W	MG RESISTOR	1kΩ, 1/16W
		Q8001	2SB1121/TU/-X			R1041	NRSA6AJ-473W	MG RESISTOR	47kΩ, 1/16W
		Q8401	DTA114EE			R1042	NRSA6AJ-473W	MG RESISTOR	47kΩ, 1/16W
		D1001	DA221			R1043	NRSA6AJ-473W	MG RESISTOR	47kΩ, 1/16W
		D1302	RB501V-40-X			R1044	NRSA6AJ-123W	MG RESISTOR	12kΩ, 1/16W
		D1602	DAP222			R1045	NRSA6AJ-822W	MG RESISTOR	8.2kΩ, 1/16W
		D1603	DAP222			R1046	NRSA6AJ-103W	MG RESISTOR	10kΩ, 1/16W
		D1604	DAP222			R1047	NRSA6AJ-473W	MG RESISTOR	47kΩ, 1/16W
		D3001	EC2C01C			R1048	NRSA6AJ-473W	MG RESISTOR	47kΩ, 1/16W
		D3002	EC2C01C			R1049	NRSA6AJ-393W	MG RESISTOR	39kΩ, 1/16W
		D3003	EC2C01C			R1050	NRSA6AJ-223W	MG RESISTOR	22kΩ, 1/16W
		D5501	1SS355			R1051	NRSA6AJ-272W	MG RESISTOR	2.7kΩ, 1/16W
△		D6002	RB715F			R1052	NRSA6AJ-183W	MG RESISTOR	18kΩ, 1/16W
		D6201	EP10LA03			R1053	NRSA6AJ-154W	MG RESISTOR	150kΩ, 1/16W
		D6202	EP10LA03			R1054	NRSA6AJ-473W	MG RESISTOR	47kΩ, 1/16W
		D6203	EP10LA03			R1055	NRSA6AJ-103W	MG RESISTOR	10kΩ, 1/16W
		D6204	EP10LA03			R1056	NRSA6AJ-472W	MG RESISTOR	4.7kΩ, 1/16W
		D6205	EP10LA03			R1057	NRSA6AJ-473W	MG RESISTOR	47kΩ, 1/16W
		D6206	1SS383			R1058	NRSA6AJ-222W	MG RESISTOR	2.2kΩ, 1/16W
		D6207	MA8091/L/-X			R1059	NRSA6AJ-473W	MG RESISTOR	47kΩ, 1/16W
		D6701	CRS09			R1061	NRSA6AJ-104W	MG RESISTOR	100kΩ, 1/16W
		D6702	CRS09			R1062	NRSA6AJ-473W	MG RESISTOR	47kΩ, 1/16W
		D8051	RB715F			R1080	NRSA6AJ-104W	MG RESISTOR	100kΩ, 1/16W
		D8401	1SS355			R1302	NRSA6AJ-472W	MG RESISTOR	4.7kΩ, 1/16W
		R1001	NRSA6AJ-104W	MG RESISTOR		R1306	NRSA6AJ-472W	MG RESISTOR	4.7kΩ, 1/16W
		R1002	NRSA6AJ-224W	MG RESISTOR		R1401	NRSA6AJ-102W	MG RESISTOR	1kΩ, 1/16W
		R1003	NRSA6AJ-472W	MG RESISTOR		R1402	NRSA6AJ-222W	MG RESISTOR	2.2kΩ, 1/16W
		R1004	NRSA6AJ-103W	MG RESISTOR		R1403	NRSA6AJ-222W	MG RESISTOR	2.2kΩ, 1/16W
		R1005	NRSA6AJ-153W	MG RESISTOR		R1408	NRSA6AJ-472W	MG RESISTOR	4.7kΩ, 1/16W
		R1006	NRSA6AJ-103W	MG RESISTOR		R1409	NRSA6AJ-0R0W	MG RESISTOR	0Ω, 1/16W
		R1007	NRSA6AJ-334W	MG RESISTOR		R1410	NRSA6AJ-331W	MG RESISTOR, A,B,E	330Ω, 1/16W
		R1008	NRSA6AJ-561W	MG RESISTOR		R1411	NRSA6AJ-473W	MG RESISTOR, A,B,E	47kΩ, 1/16W
		R1009	NRSA6AJ-151W	MG RESISTOR		R1412	NRSA6AJ-331W	MG RESISTOR, A,B,E	330Ω, 1/16W
		R1010	NRSA6AJ-221W	MG RESISTOR		R1413	NRSA6AJ-331W	MG RESISTOR, C,D,F,G,H	330Ω, 1/16W
		R1011	NRSA6AJ-103W	MG RESISTOR		R1414	NRSA6AJ-331W	MG RESISTOR	330Ω, 1/16W
		R1012	NRSA6AJ-102W	MG RESISTOR		R1415	NRSA6AJ-331W	MG RESISTOR	330Ω, 1/16W
		R1013	NRSA6AJ-103W	MG RESISTOR		R1416	NRSA6AJ-331W	MG RESISTOR	330Ω, 1/16W
		R1014	NRSA6AJ-103W	MG RESISTOR		R1417	NRSA6AJ-102W	MG RESISTOR	1kΩ, 1/16W
		R1015	NRSA6AJ-474W	MG RESISTOR		R1418	NRSA6AJ-221W	MG RESISTOR	220Ω, 1/16W
		R1016	NRSA6AJ-474W	MG RESISTOR		R1419	NRSA6AJ-221W	MG RESISTOR	220Ω, 1/16W
		R1017	NRSA6AJ-104W	MG RESISTOR		R1420	NRSA6AJ-473W	MG RESISTOR	47kΩ, 1/16W
		R1018	NRSA6AJ-103W	MG RESISTOR		R1422	NRSA6AJ-332W	MG RESISTOR	3.3kΩ, 1/16W
		R1019	NRSA6AJ-0R0W	MG RESISTOR		R1423	NRSA6AJ-332W	MG RESISTOR	3.3kΩ, 1/16W
		R1020	NRSA6AJ-331W	MG RESISTOR		R1424	NRSA6AJ-332W	MG RESISTOR	3.3kΩ, 1/16W
		R1021	NRSA6AJ-331W	MG RESISTOR		R1425	NRVA6AD-753W	CMF RESISTOR	75kΩ, 1/16W
		R1022	NRSA6AJ-331W	MG RESISTOR		R1426	NRSA6AJ-334W	MG RESISTOR	330kΩ, 1/16W
		R1023	NRSA6AJ-103W	MG RESISTOR		R1427	NRSA6AJ-103W	MG RESISTOR	10kΩ, 1/16W

#	△ REF No.	PART No.	PART NAME, DESCRIPTION	#	△ REF No.	PART No.	PART NAME, DESCRIPTION
R1428		NRSA6AJ-153W	MG RESISTOR 15kΩ,1/16W	R2020		NRSA6AJ-2R7W	MG RESISTOR 2.7Ω,1/16W
R1429		NRSA6AJ-102W	MG RESISTOR 1kΩ,1/16W	R2023		NRSA6AJ-102W	MG RESISTOR 1kΩ,1/16W
R1430		NRSA6AJ-102W	MG RESISTOR 1kΩ,1/16W	R2024		NRSA6AJ-183W	MG RESISTOR 18kΩ,1/16W
R1432		NRSA6AJ-820W	MG RESISTOR 82Ω,1/16W	R2025		NRSA6AJ-104W	MG RESISTOR 100kΩ,1/16W
R1433		NRSA6AJ-102W	MG RESISTOR 1kΩ,1/16W	R2026		NRSA6AJ-0R0W	MG RESISTOR 0Ω,1/16W
R1434		NRSA6AJ-683W	MG RESISTOR 68kΩ,1/16W	R2027		NRSA6AJ-332W	MG RESISTOR 3.3kΩ,1/16W
R1435		NRSA6AJ-102W	MG RESISTOR 1kΩ,1/16W	R2028		NRSA6AJ-224W	MG RESISTOR 220kΩ,1/16W
R1436		NRSA6AJ-683W	MG RESISTOR 68kΩ,1/16W	R2029		NRSA6AJ-0R0W	MG RESISTOR 0Ω,1/16W
R1437		NRVA6AD-103W	CMF RESISTOR 10kΩ,1/16W	R2101		NRSA6AJ-182W	MG RESISTOR 1.8kΩ,1/16W
R1439		NRSA6AJ-332W	MG RESISTOR 3.3kΩ,1/16W	R2102		NRSA6AJ-182W	MG RESISTOR 1.8kΩ,1/16W
R1440		NRSA6AJ-332W	MG RESISTOR 3.3kΩ,1/16W	R2103		NRSA6AJ-153W	MG RESISTOR 15kΩ,1/16W
R1441		NRSA6AJ-332W	MG RESISTOR 3.3kΩ,1/16W	R2104		NRSA6AJ-153W	MG RESISTOR 15kΩ,1/16W
R1442		NRSA6AJ-332W	MG RESISTOR 3.3kΩ,1/16W	R2105		NRSA6AJ-104W	MG RESISTOR 100kΩ,1/16W
R1443		NRSA6AJ-102W	MG RESISTOR 1kΩ,1/16W	R2106		NRSA6AJ-104W	MG RESISTOR 100kΩ,1/16W
R1444		NRSA6AJ-102W	MG RESISTOR 1kΩ,1/16W	R2107		NRSA6AJ-473W	MG RESISTOR 47kΩ,1/16W
R1445		NRSA6AJ-101W	MG RESISTOR 100Ω,1/16W	R2108		NRSA6AJ-473W	MG RESISTOR 47kΩ,1/16W
R1601		NRSA6AJ-681W	MG RESISTOR 680Ω,1/16W	R2109		NRSA6AJ-472W	MG RESISTOR 4.7kΩ,1/16W
R1602		NRSA6AJ-124W	MG RESISTOR 120kΩ,1/16W	R2110		NRSA6AJ-472W	MG RESISTOR 4.7kΩ,1/16W
R1603		NRSA6AJ-472W	MG RESISTOR 4.7kΩ,1/16W	R2111		NRSA6AJ-222W	MG RESISTOR 2.2kΩ,1/16W
R1604		NRSA6AJ-104W	MG RESISTOR 100kΩ,1/16W	R2112		NRSA6AJ-222W	MG RESISTOR 2.2kΩ,1/16W
R1605		NRV142F-R22X	CMF RESISTOR 0.22Ω,1/4W	R2113		NRSA6AJ-153W	MG RESISTOR 15kΩ,1/16W
R1606		NRSA6AJ-103W	MG RESISTOR 10kΩ,1/16W	R2114		NRSA6AJ-153W	MG RESISTOR 15kΩ,1/16W
R1608		NRSA02J-0R0X	MG RESISTOR 0Ω,1/10W	R2117		NRSA6AJ-472W	MG RESISTOR 4.7kΩ,1/16W
R1609		NRV142F-R33X	CMF RESISTOR 0.33Ω,1/4W	R2118		NRSA6AJ-472W	MG RESISTOR 4.7kΩ,1/16W
R1610		NRSA6AJ-471W	MG RESISTOR 470Ω,1/16W	R2119		NRSA6AJ-153W	MG RESISTOR 15kΩ,1/16W
R1611		NRSA6AJ-471W	MG RESISTOR 470Ω,1/16W	R2120		NRSA6AJ-153W	MG RESISTOR 15kΩ,1/16W
R1612		NRSA6AJ-104W	MG RESISTOR 100kΩ,1/16W	R2127		NRSA6AJ-472W	MG RESISTOR 4.7kΩ,1/16W
R1613		NRSA6AJ-102W	MG RESISTOR 1kΩ,1/16W	R2128		NRSA6AJ-472W	MG RESISTOR 4.7kΩ,1/16W
R1614		NRVA6AD-682W	CMF RESISTOR 6.8kΩ,1/16W	R2129		NRSA6AJ-332W	MG RESISTOR 3.3kΩ,1/16W
R1615		NRSA6AJ-103W	MG RESISTOR 10kΩ,1/16W	R2130		NRSA6AJ-332W	MG RESISTOR 3.3kΩ,1/16W
R1616		NRSA6AJ-391W	MG RESISTOR 390Ω,1/16W	R2201		NRSA6AJ-182W	MG RESISTOR 1.8kΩ,1/16W
R1617		NRSA6AJ-224W	MG RESISTOR 220kΩ,1/16W	R2202		NRSA6AJ-182W	MG RESISTOR 1.8kΩ,1/16W
R1618		NRSA6AJ-154W	MG RESISTOR 150kΩ,1/16W	R3002		NRSA6AJ-103W	MG RESISTOR 10kΩ,1/16W
R1619		NRSA6AJ-223W	MG RESISTOR 22kΩ,1/16W	R3004		NRSA6AJ-103W	MG RESISTOR 10kΩ,1/16W
R1620		NRSA6AJ-103W	MG RESISTOR 10kΩ,1/16W	R3007		NRSA6AJ-562W	MG RESISTOR 5.6kΩ,1/16W
R1621		NRSA6AJ-103W	MG RESISTOR 10kΩ,1/16W	R3008		NRSA6AJ-222W	MG RESISTOR 2.2kΩ,1/16W
R1622		NRSA6AJ-103W	MG RESISTOR 10kΩ,1/16W	R3009		NRSA6AJ-103W	MG RESISTOR 10kΩ,1/16W
R1624		NRVA6AD-123W	CMF RESISTOR 12kΩ,1/16W	R3010		NRSA6AJ-103W	MG RESISTOR 10kΩ,1/16W
R1625		NRSA6AJ-181W	MG RESISTOR 180Ω,1/16W	R3011		NRSA6AJ-224W	MG RESISTOR 220kΩ,1/16W
R1626		NRSA6AJ-181W	MG RESISTOR 180Ω,1/16W	R3013		NRSA6AJ-242W	MG RESISTOR 2.4kΩ,1/16W
R1628		NRVA6AD-271W	CMF RESISTOR 270Ω,1/16W	R3014		NRSA6AJ-392W	MG RESISTOR 3.9kΩ,1/16W
R1629		NRSA6AJ-684W	MG RESISTOR 680kΩ,1/16W	R3015		NRSA6AJ-392W	MG RESISTOR 3.9kΩ,1/16W
R1630		NRSA6AJ-0R0W	MG RESISTOR 0Ω,1/16W	R3016		NRSA6AD-560W	MG RESISTOR 56Ω,1/16W
R1631		NRSA6AJ-0R0W	MG RESISTOR 0Ω,1/16W	R3017		NRSA6AD-560W	MG RESISTOR 56Ω,1/16W
R1635		NRSA6AJ-472W	MG RESISTOR 4.7kΩ,1/16W	R3018		NRSA6AD-560W	MG RESISTOR 56Ω,1/16W
R1636		NRSA6AJ-103W	MG RESISTOR 10kΩ,1/16W	R3019		NRSA6AD-560W	MG RESISTOR 56Ω,1/16W
R1637		NRSA6AJ-154W	MG RESISTOR 150kΩ,1/16W	R3020		NRSA6AD-512W	MG RESISTOR 5.1kΩ,1/16W
R2006		NRSA6AJ-100W	MG RESISTOR 10Ω,1/16W	R3021		NRSA6AJ-0R0W	MG RESISTOR 0Ω,1/16W
R2007		NRSA6AJ-102W	MG RESISTOR 1kΩ,1/16W	R3022		NRSA6AJ-0R0W	MG RESISTOR 0Ω,1/16W
R2008		NRSA6AJ-102W	MG RESISTOR 1kΩ,1/16W	R3023		NRSA6AJ-0R0W	MG RESISTOR 0Ω,1/16W
R2009		NRSA6AJ-332W	MG RESISTOR 3.3kΩ,1/16W	R3024		NRSA6AJ-0R0W	MG RESISTOR 0Ω,1/16W
R2010		NRSA6AJ-273W	MG RESISTOR,G 27kΩ,1/16W	R3027		NRSA6AJ-103W	MG RESISTOR 10kΩ,1/16W
R2011		NRSA6AJ-0R0W	MG RESISTOR,A,B,C,D,E,F,H 0Ω,1/16W	R3029		NRSA6AJ-103W	MG RESISTOR 10kΩ,1/16W
		NRSA6AJ-223W	MG RESISTOR,G 22kΩ,1/16W	R3030		NRSA6AJ-224W	MG RESISTOR 220kΩ,1/16W
R2012		NRSA6AJ-273W	MG RESISTOR,G 27kΩ,1/16W	R3031		NRSA6AJ-224W	MG RESISTOR 220kΩ,1/16W
R2013		NRSA6AJ-223W	MG RESISTOR,G 22kΩ,1/16W	R3033		NRSA6AJ-0R0W	MG RESISTOR 0Ω,1/16W
		NRSA6AJ-0R0W	MG RESISTOR,A,B,C,D,E,F,H 0Ω,1/16W	R3034		NRSA6AJ-222W	MG RESISTOR 2.2kΩ,1/16W
R2014		NRSA6AJ-820W	MG RESISTOR 82Ω,1/16W	R3041		NRSA6AJ-561W	MG RESISTOR 560Ω,1/16W
R2015		NRSA6AJ-820W	MG RESISTOR 82Ω,1/16W	R3042		NRSA6AJ-561W	MG RESISTOR 560Ω,1/16W
R2016		NRSA6AJ-820W	MG RESISTOR 82Ω,1/16W	R3043		NRSA6AJ-561W	MG RESISTOR 560Ω,1/16W
R2017		NRSA6AJ-102W	MG RESISTOR 1kΩ,1/16W	R3044		NRSA6AJ-392W	MG RESISTOR 3.9kΩ,1/16W
R2018		NRSA6AJ-103W	MG RESISTOR 10kΩ,1/16W	R3046		NRSA6AD-222W	MG RESISTOR 2.2kΩ,1/16W
R2019		NRSA6AJ-2R7W	MG RESISTOR 2.7Ω,1/16W	R3050		NRSA6AJ-101W	MG RESISTOR 100Ω,1/16W

#	△	REF No.	PART No.	PART NAME, DESCRIPTION	#	△	REF No.	PART No.	PART NAME, DESCRIPTION	
R3052			NRSA6AJ-103W	MG RESISTOR	R4302			NRSA6AJ-100W	MG RESISTOR	10Ω, 1/16W
R3053			NRSA6AJ-103W	MG RESISTOR	R4304			NRSA6AJ-0R0W	MG RESISTOR	0Ω, 1/16W
R3054			NRSA6AJ-103W	MG RESISTOR	R4307			NRSA6AD-333W	MG RESISTOR	33kΩ, 1/16W
R3055			NRSA6AJ-103W	MG RESISTOR	R4308			NRSA6AD-682W	MG RESISTOR	6.8kΩ, 1/16W
R3501			NRSA6AJ-471W	MG RESISTOR	R4311			NRSA6AD-272W	MG RESISTOR	2.7kΩ, 1/16W
R3502			NRSA6AJ-104W	MG RESISTOR	R4312			NRSA6AD-272W	MG RESISTOR	2.7kΩ, 1/16W
R3503			NRSA6AJ-102W	MG RESISTOR	R4313			NRSA6AD-272W	MG RESISTOR	2.7kΩ, 1/16W
R3504			NRSA6AD-241W	MG RESISTOR	R4314			NRSA6AD-123W	MG RESISTOR	12kΩ, 1/16W
R3505			NRSA6AD-241W	MG RESISTOR	R4315			NRSA6AD-103W	MG RESISTOR	10kΩ, 1/16W
R3506			NRSA6AD-241W	MG RESISTOR	R4316			NRSA6AD-111W	MG RESISTOR	110Ω, 1/16W
R3507			NRSA6AD-241W	MG RESISTOR	R4317			NRSA6AJ-0R0W	MG RESISTOR	0Ω, 1/16W
R3508			NRSA6AJ-223W	MG RESISTOR	R4318			NRSA6AJ-152W	MG RESISTOR	1.5kΩ, 1/16W
R3521			NRSA6AJ-0R0W	MG RESISTOR	R4319			NRSA6AD-111W	MG RESISTOR	110Ω, 1/16W
R3522			NRSA6AJ-0R0W	MG RESISTOR	R4320			NRSA6AJ-0R0W	MG RESISTOR	0Ω, 1/16W
R3701			NRSA6AD-241W	MG RESISTOR	R4321			NRSA6AJ-152W	MG RESISTOR	1.5kΩ, 1/16W
R3702			NRSA6AD-241W	MG RESISTOR	R4322			NRSA6AD-111W	MG RESISTOR	110Ω, 1/16W
R3703			NRSA6AJ-472W	MG RESISTOR	R4323			NRSA6AD-101W	MG RESISTOR	100Ω, 1/16W
R3704			NRSA6AJ-0R0W	MG RESISTOR,A,B,C,D,E,F,H	R4324			NRSA6AJ-152W	MG RESISTOR	1.5kΩ, 1/16W
R3705			NRSA6AJ-0R0W	MG RESISTOR,A,B,C,D,E,F,H	R4326			NRSA6AJ-0R0W	MG RESISTOR	0Ω, 1/16W
R3706			NRSA6AD-221W	MG RESISTOR	R4327			NRSA6AJ-152W	MG RESISTOR	1.5kΩ, 1/16W
R3707			NRSA6AD-221W	MG RESISTOR	R4333			NRSA6AJ-0R0W	MG RESISTOR	0Ω, 1/16W
R3708			NRSA6AJ-472W	MG RESISTOR	R4336			NRSA6AJ-0R0W	MG RESISTOR	0Ω, 1/16W
R3709			NRSA6AJ-104W	MG RESISTOR,G	R4338			NRSA6AJ-220W	MG RESISTOR	22Ω, 1/16W
R3710			NRSA6AJ-104W	MG RESISTOR,G	R4340			NRSA6AJ-0R0W	MG RESISTOR	0Ω, 1/16W
R3711			NRSA6AD-680W	MG RESISTOR	R4343			NRSA6AJ-0R0W	MG RESISTOR	0Ω, 1/16W
R3712			NRSA6AD-680W	MG RESISTOR	R4344			NRSA6AJ-0R0W	MG RESISTOR	0Ω, 1/16W
R3713			NRSA6AD-680W	MG RESISTOR	R4346			NRSA63J-0R0X	MG RESISTOR	0Ω, 1/16W
R3714			NRSA6AJ-103W	MG RESISTOR	R4347			NRSA6AJ-223W	MG RESISTOR	22kΩ, 1/16W
R3715			NRSA6AJ-103W	MG RESISTOR	R4348			NRSA6AJ-223W	MG RESISTOR	22kΩ, 1/16W
R3716			NRSA6AJ-105W	MG RESISTOR	R4349			NRSA6AJ-223W	MG RESISTOR	22kΩ, 1/16W
R3717			NRSA6AJ-823W	MG RESISTOR	R4350			NRSA6AJ-223W	MG RESISTOR	22kΩ, 1/16W
R3718			NRSA6AJ-104W	MG RESISTOR	R4351			NRSA6AJ-223W	MG RESISTOR	22kΩ, 1/16W
R3719			NRSA6AJ-103W	MG RESISTOR	R4804			NRSA6AJ-331W	MG RESISTOR	330Ω, 1/16W
R3721			NRSA6AJ-101W	MG RESISTOR,G	R4805			NRSA6AJ-103W	MG RESISTOR	10kΩ, 1/16W
R3722			NRSA6AJ-472W	MG RESISTOR,G	R4806			NRSA6AJ-683W	MG RESISTOR	68kΩ, 1/16W
R3723			NRSA6AJ-472W	MG RESISTOR	R4807			NRSA6AJ-823W	MG RESISTOR	82kΩ, 1/16W
R3724			NRSA6AJ-392W	MG RESISTOR,A,B,C,D,E,F,H	R4808			NRSA6AJ-243W	MG RESISTOR	24kΩ, 1/16W
R3901			NRSA6AD-681W	MG RESISTOR,G	R4809			NRSA6AJ-681W	MG RESISTOR	680Ω, 1/16W
R3904			NRSA6AD-821W	MG RESISTOR,G	R4810			NRSA6AJ-103W	MG RESISTOR	10kΩ, 1/16W
R3905			NRSA63J-0R0X	MG RESISTOR,G	R4811			NRSA6AJ-824W	MG RESISTOR	820kΩ, 1/16W
R3911			NRSA6AJ-0R0W	MG RESISTOR,G	R4812			NRSA6AJ-153W	MG RESISTOR	15kΩ, 1/16W
R3951			NRSA6AD-561W	MG RESISTOR,G	R4814			NRSA6AJ-105W	MG RESISTOR	1MΩ, 1/16W
R3953			NRSA6AD-152W	MG RESISTOR,G	R4815			NRSA6AJ-472W	MG RESISTOR	4.7kΩ, 1/16W
R3954			NRSA6AJ-222W	MG RESISTOR,G	R4816			NRSA6AJ-105W	MG RESISTOR	1MΩ, 1/16W
R3955			NRSA6AJ-102W	MG RESISTOR,G	R4817			NRSA6AJ-334W	MG RESISTOR	330kΩ, 1/16W
R3956			NRSA6AJ-474W	MG RESISTOR,G	R4818			NRSA6AJ-154W	MG RESISTOR	150kΩ, 1/16W
R3961			NRSA6AD-561W	MG RESISTOR,G	R4819			NRSA6AJ-103W	MG RESISTOR	10kΩ, 1/16W
R3962			NRSA6AJ-822W	MG RESISTOR,G	R4820			NRSA6AJ-104W	MG RESISTOR	100kΩ, 1/16W
R3963			NRSA6AD-182W	MG RESISTOR,G	R4821			NRSA6AJ-104W	MG RESISTOR	100kΩ, 1/16W
R3964			NRSA6AJ-183W	MG RESISTOR,G	R4822			NRSA6AJ-333W	MG RESISTOR	33kΩ, 1/16W
R3965			NRSA6AJ-183W	MG RESISTOR,G	R4823			NRSA6AJ-102W	MG RESISTOR	1kΩ, 1/16W
R3966			NRSA6AJ-681W	MG RESISTOR,G	R4824			NRSA6AJ-472W	MG RESISTOR	4.7kΩ, 1/16W
R3967			NRSA6AJ-821W	MG RESISTOR,G	R4833			NRSA6AJ-104W	MG RESISTOR	100kΩ, 1/16W
R3968			NRSA6AJ-821W	MG RESISTOR,G	R4836			NRSA6AJ-102W	MG RESISTOR	1kΩ, 1/16W
R3969			NRSA6AJ-102W	MG RESISTOR,G	R4856			NRSA63J-6R8X	MG RESISTOR	6.8Ω, 1/16W
R4202			NRSA6AJ-0R0W	MG RESISTOR	R4857			NRSA63J-6R8X	MG RESISTOR	6.8Ω, 1/16W
R4203			NRSA6AJ-0R0W	MG RESISTOR	R4858			NRSA6AJ-333W	MG RESISTOR	33kΩ, 1/16W
R4204			NRSA6AJ-220W	MG RESISTOR	R4862			NRSA63J-6R8X	MG RESISTOR	6.8Ω, 1/16W
R4205			NRSA6AJ-243W	MG RESISTOR	R4863			NRSA63J-6R8X	MG RESISTOR	6.8Ω, 1/16W
R4206			NRSA6AJ-102W	MG RESISTOR	R4864			NRSA6AJ-102W	MG RESISTOR	1kΩ, 1/16W
R4207			NRSA6AJ-102W	MG RESISTOR	R4865			NRSA6AJ-102W	MG RESISTOR	1kΩ, 1/16W
R4208			NRSA6AJ-102W	MG RESISTOR	R4866			NRSA6AJ-102W	MG RESISTOR	1kΩ, 1/16W
R4301			NRSA6AJ-101W	MG RESISTOR	R4867			NRSA6AJ-102W	MG RESISTOR	1kΩ, 1/16W

#	△ REF No.	PART No.	PART NAME, DESCRIPTION	#	△ REF No.	PART No.	PART NAME, DESCRIPTION
	R4868	NRSA6AJ-0R0W	MG RESISTOR 0Ω,1/16W		R6223	NRVA6AD-123W	CMF RESISTOR 12kΩ,1/16W
	R4870	NRVA6AD-271W	CMF RESISTOR 270Ω,1/16W		R6224	NRVA6AD-473W	CMF RESISTOR 47kΩ,1/16W
	R4874	NRSA6AJ-0R0W	MG RESISTOR 0Ω,1/16W		R6225	NRVA6AD-562W	CMF RESISTOR 5.6kΩ,1/16W
	R5501	NRSA6AJ-0R0W	MG RESISTOR 0Ω,1/16W		R6226	NRVA6AD-223W	CMF RESISTOR 22kΩ,1/16W
	R5503	NRSA6AJ-0R0W	MG RESISTOR 0Ω,1/16W		R6227	NRVA6AD-473W	CMF RESISTOR 47kΩ,1/16W
	R5504	NRSA6AJ-0R0W	MG RESISTOR 0Ω,1/16W		R6228	NRVA6AD-473W	CMF RESISTOR 47kΩ,1/16W
	R5505	NRSA6AJ-0R0W	MG RESISTOR 0Ω,1/16W		R6229	NRVA6AD-332W	CMF RESISTOR 3.3kΩ,1/16W
	R5506	NRSA6AJ-0R0W	MG RESISTOR 0Ω,1/16W		R6230	NRSA6AJ-272W	MG RESISTOR 2.7kΩ,1/16W
	R5507	NRSA6AJ-0R0W	MG RESISTOR 0Ω,1/16W		R6231	NRVA6AD-104W	CMF RESISTOR 100kΩ,1/16W
	R5509	NRSA6AJ-470W	MG RESISTOR 47Ω,1/16W		R6232	NRVA6AD-473W	CMF RESISTOR 47kΩ,1/16W
	R5510	NRSA6AJ-470W	MG RESISTOR 47Ω,1/16W		R6233	NRSA6AJ-822W	MG RESISTOR 8.2kΩ,1/16W
	R5511	NRSA6AJ-470W	MG RESISTOR 47Ω,1/16W		R6234	NRSA6AJ-273W	MG RESISTOR 27kΩ,1/16W
	R5512	NRSA6AJ-102W	MG RESISTOR 1kΩ,1/16W		R6235	NRVA6AD-683W	CMF RESISTOR 68kΩ,1/16W
	R5513	NRSA6AJ-102W	MG RESISTOR 1kΩ,1/16W		R6236	NRVA6AD-473W	CMF RESISTOR 47kΩ,1/16W
	R5514	NRSA6AJ-102W	MG RESISTOR 1kΩ,1/16W		R6237	NRVA6AD-753W	CMF RESISTOR 75kΩ,1/16W
	R6001	NRSA6AJ-104W	MG RESISTOR 100kΩ,1/16W		R6238	NRVA6AD-104W	CMF RESISTOR 100kΩ,1/16W
	R6002	NRSA6AJ-104W	MG RESISTOR 100kΩ,1/16W		R6239	NRSA6AJ-103W	MG RESISTOR 10kΩ,1/16W
	R6003	NRSA6AJ-224W	MG RESISTOR 220kΩ,1/16W		R6240	NRSA6AJ-333W	MG RESISTOR 33kΩ,1/16W
	R6004	NRSA6AJ-183W	MG RESISTOR 18kΩ,1/16W		R6241	NRSA6AJ-102W	MG RESISTOR 1kΩ,1/16W
	R6005	NRSA6AJ-104W	MG RESISTOR 100kΩ,1/16W		R6242	NRSA6AJ-104W	MG RESISTOR 100kΩ,1/16W
△	R6009	NRSA63J-102X	MG RESISTOR 1kΩ,1/16W		R6243	NRSA6AJ-823W	MG RESISTOR 82kΩ,1/16W
	R6010	NRSA6AJ-473W	MG RESISTOR 47kΩ,1/16W		R6244	NRSA6AJ-152W	MG RESISTOR 1.5kΩ,1/16W
	R6011	NRSA6AJ-102W	MG RESISTOR 1kΩ,1/16W		R6245	NRSA6AJ-562W	MG RESISTOR 5.6kΩ,1/16W
	R6012	NRVA6AD-104W	CMF RESISTOR 100kΩ,1/16W		R6246	NRSA6AJ-222W	MG RESISTOR 2.2kΩ,1/16W
	R6013	NRVA6AD-683W	CMF RESISTOR 68kΩ,1/16W		R6701	NRZ0058-R20X	MG RESISTOR 0.2Ω
	R6014	NRSA63J-0R0X	MG RESISTOR,C,D,F,G,H 0Ω,1/16W		R6702	NRVA6AD-104W	CMF RESISTOR 100kΩ,1/16W
	R6015	NRVA6AD-104W	CMF RESISTOR 100kΩ,1/16W		R6703	NRVA6AD-123W	CMF RESISTOR 12kΩ,1/16W
	R6016	NRVA6AD-333W	CMF RESISTOR 33kΩ,1/16W		R6712	NRVA6AD-823W	CMF RESISTOR 82kΩ,1/16W
	R6101	NRVA6AD-103W	CMF RESISTOR 10kΩ,1/16W		R6713	NRVA6AD-333W	CMF RESISTOR 33kΩ,1/16W
	R6102	NRVA6AD-751W	CMF RESISTOR 750Ω,1/16W		R8001	NRSA63J-270X	MG RESISTOR 27Ω,1/16W
	R6103	NRVA6AD-333W	CMF RESISTOR 33kΩ,1/16W		R8002	NRSA6AJ-101W	MG RESISTOR 100Ω,1/16W
	R6104	NRSA6AJ-104W	MG RESISTOR 100kΩ,1/16W		R8003	NRSA6AJ-101W	MG RESISTOR 100Ω,1/16W
	R6105	NRVA6AD-123W	CMF RESISTOR 12kΩ,1/16W		R8004	NRSA6AJ-104W	MG RESISTOR 100kΩ,1/16W
	R6106	NRSA6AJ-333W	MG RESISTOR 33kΩ,1/16W		R8006	NRSA6AJ-102W	MG RESISTOR 1kΩ,1/16W
	R6107	NRVA6AD-562W	CMF RESISTOR 5.6kΩ,1/16W		R8014	NRSA6AJ-0R0W	MG RESISTOR 0Ω,1/16W
	R6108	NRSA6AJ-223W	MG RESISTOR 22kΩ,1/16W		R8015	NRSA6AJ-0R0W	MG RESISTOR 0Ω,1/16W
	R6110	NRSA6AJ-0R0W	MG RESISTOR 0Ω,1/16W		R8016	NRSA6AJ-0R0W	MG RESISTOR 0Ω,1/16W
	R6113	NRSA6AJ-472W	MG RESISTOR 4.7kΩ,1/16W		R8017	NRSA6AJ-0R0W	MG RESISTOR 0Ω,1/16W
	R6114	NRSA6AJ-823W	MG RESISTOR 82kΩ,1/16W		R8018	NRSA6AJ-0R0W	MG RESISTOR 0Ω,1/16W
	R6115	NRSA6AJ-823W	MG RESISTOR 82kΩ,1/16W		R8019	NRSA6AJ-0R0W	MG RESISTOR 0Ω,1/16W
	R6116	NRVA6AD-153W	CMF RESISTOR 15kΩ,1/16W		R8020	NRSA6AJ-0R0W	MG RESISTOR 0Ω,1/16W
	R6117	NRSA6AJ-0R0W	MG RESISTOR 0Ω,1/16W		R8021	NRSA6AJ-0R0W	MG RESISTOR 0Ω,1/16W
	R6118	NRSA6AJ-102W	MG RESISTOR 1kΩ,1/16W		R8022	NRSA6AJ-0R0W	MG RESISTOR 0Ω,1/16W
	R6122	NRSA6AJ-104W	MG RESISTOR 100kΩ,1/16W		R8023	NRSA6AJ-0R0W	MG RESISTOR 0Ω,1/16W
	R6124	NRSA6AJ-102W	MG RESISTOR 1kΩ,1/16W		R8024	NRSA6AJ-0R0W	MG RESISTOR 0Ω,1/16W
	R6201	NRVA6AD-243W	CMF RESISTOR 24kΩ,1/16W		R8025	NRSA6AJ-0R0W	MG RESISTOR 0Ω,1/16W
	R6203	NRVA6AD-123W	CMF RESISTOR 12kΩ,1/16W		R8026	NRSA6AJ-0R0W	MG RESISTOR 0Ω,1/16W
	R6204	NRSA6AJ-473W	MG RESISTOR 47kΩ,1/16W		R8027	NRSA6AJ-104W	MG RESISTOR 100kΩ,1/16W
	R6205	NRSA6AJ-102W	MG RESISTOR 1kΩ,1/16W		R8030	NRSA6AJ-0R0W	MG RESISTOR 0Ω,1/16W
	R6206	NRVA6AD-183W	CMF RESISTOR 18kΩ,1/16W		R8031	NRSA6AJ-223W	MG RESISTOR 22kΩ,1/16W
	R6207	NRVA6AD-123W	CMF RESISTOR 12kΩ,1/16W		R8035	NRSA6AJ-331W	MG RESISTOR 330Ω,1/16W
	R6208	NRVA6AD-123W	CMF RESISTOR 12kΩ,1/16W		R8038	NRSA6AJ-0R0W	MG RESISTOR 0Ω,1/16W
	R6209	NRVA6AD-153W	CMF RESISTOR 15kΩ,1/16W		R8056	NRSA6AJ-0R0W	MG RESISTOR 0Ω,1/16W
	R6210	NRVA6AD-183W	CMF RESISTOR 18kΩ,1/16W		R8059	NRSA6AJ-473W	MG RESISTOR 47kΩ,1/16W
	R6212	NRVA6AD-472W	CMF RESISTOR 4.7kΩ,1/16W		R8060	NRSA6AJ-0R0W	MG RESISTOR 0Ω,1/16W
	R6213	NRSA6AJ-103W	MG RESISTOR 10kΩ,1/16W		R8401	NRSA6AJ-105W	MG RESISTOR 1MΩ,1/16W
	R6214	NRSA6AJ-152W	MG RESISTOR 1.5kΩ,1/16W		R8402	NRS181J-220X	MG RESISTOR 22Ω,1/8W
	R6215	NRSA6AJ-473W	MG RESISTOR 47kΩ,1/16W		R8403	NRS181J-220X	MG RESISTOR 22Ω,1/8W
	R6217	NRSA6AJ-151W	MG RESISTOR 150Ω,1/16W		R8404	NRSA6AJ-152W	MG RESISTOR 1.5kΩ,1/16W
	R6218	NRSA6AJ-104W	MG RESISTOR 100kΩ,1/16W		R8406	NRSA6AJ-153W	MG RESISTOR 15kΩ,1/16W
	R6219	NRVA6AD-243W	CMF RESISTOR 24kΩ,1/16W		R8407	NRSA6AJ-0R0W	MG RESISTOR 0Ω,1/16W
	R6220	NRVA6AD-302W	CMF RESISTOR 3kΩ,1/16W		R8408	NRSA6AJ-223W	MG RESISTOR 22kΩ,1/16W
	R6221	NRVA6AD-104W	CMF RESISTOR 100kΩ,1/16W		R8409	NRSA6AJ-105W	MG RESISTOR 1MΩ,1/16W

#	△ REF No.	PART No.	PART NAME, DESCRIPTION		#	△ REF No.	PART No.	PART NAME, DESCRIPTION	
	RA1001	NRZ0034-102W	NETWORK RESISTOR	1kΩ		C1413	NCFA1AZ-104W	CAPACITOR	0.1μF,10V
	RA1002	NRZ0034-102W	NETWORK RESISTOR	1kΩ		C1414	NCBA1CK-103W	CAPACITOR	0.01μF,16V
	RA1003	NRZ0034-102W	NETWORK RESISTOR	1kΩ		C1415	NCBA1CK-103W	CAPACITOR	0.01μF,16V
	RA1004	NRZ0034-102W	NETWORK RESISTOR	1kΩ		C1416	NCBA1CK-103W	CAPACITOR	0.01μF,16V
	RA1005	NRZ0034-102W	NETWORK RESISTOR	1kΩ		C1417	NCBA1CK-223W	CAPACITOR	0.022μF,16V
	RA1006	NRZ0034-102W	NETWORK RESISTOR	1kΩ		C1418	NCBA1CK-223W	CAPACITOR	0.022μF,16V
	RA1007	NRZ0034-102W	NETWORK RESISTOR	1kΩ		C1419	NCBA1CK-223W	CAPACITOR	0.022μF,16V
	RA1008	NRZ0034-104W	NETWORK RESISTOR	100kΩ		C1420	NCBA1CK-223W	CAPACITOR	0.022μF,16V
	RA1009	NRZ0034-104W	NETWORK RESISTOR	100kΩ		C1601	NCBA1CK-103W	CAPACITOR	0.01μF,16V
	RA1010	NRZ0034-104W	NETWORK RESISTOR	100kΩ		C1602	NBE21AM-106X	T CAPACITOR	10μF,10V
	RA1401	NRZ0034-473W	NETWORK RESISTOR	47kΩ		C1603	NBE21AM-106X	T CAPACITOR	10μF,10V
	RA1402	NRZ0034-102W	NETWORK RESISTOR	1kΩ		C1605	NCBA1AK-104W	CAPACITOR	0.1μF,10V
	RA1403	NRZ0034-102W	NETWORK RESISTOR	1kΩ		C1606	NCB31HK-152X	CAPACITOR	0.0015μF,50V
	RA4301	NRZ0034-101W	NETWORK RESISTOR	100Ω		C1607	NCBA1AK-473W	CAPACITOR	0.047μF,10V
	RA4302	NRZ0034-101W	NETWORK RESISTOR	100Ω		C1614	NBE21AM-106X	T CAPACITOR	10μF,10V
	RA4303	NRZ0034-101W	NETWORK RESISTOR	100Ω		C1618	NCBA1HK-222W	CAPACITOR	0.0022μF,50V
	RA4304	NRZ0034-100W	NETWORK RESISTOR	10Ω		C1619	NCBA1HK-222W	CAPACITOR	0.0022μF,50V
	RA4305	NRZ0034-100W	NETWORK RESISTOR	10Ω		C1620	NCBA1HK-222W	CAPACITOR	0.0022μF,50V
	RA4306	NRZ0034-100W	NETWORK RESISTOR	10Ω		C1621	NCB21CK-105X	CAPACITOR	1μF,16V
	RA8401	NRZ0034-221W	NETWORK RESISTOR	220Ω		C1622	NCBA1CK-223W	CAPACITOR	0.022μF,16V
	RA8402	NRZ0034-221W	NETWORK RESISTOR	220Ω		C1623	NCBA1AK-473W	CAPACITOR	0.047μF,10V
	RA8403	NRZ0034-100W	NETWORK RESISTOR	10Ω		C1624	NCBA1CK-103W	CAPACITOR	0.01μF,16V
	RA8404	NRZ0034-100W	NETWORK RESISTOR	10Ω		C1625	NCBA1AK-473W	CAPACITOR	0.047μF,10V
	C1001	NBE20JM-226X	T CAPACITOR	22μF,6.3V		C1626	NCBA1HK-331W	CAPACITOR	330pF,50V
	C1002	NCFA1AZ-104W	CAPACITOR	0.1μF,10V		C1627	NCBA1CK-822W	CAPACITOR	0.0082μF,16V
	C1003	NBE20JM-226X	T CAPACITOR	22μF,6.3V		C1628	NCB21CK-224X	CAPACITOR	0.22μF,16V
	C1004	NCFA1AZ-104W	CAPACITOR	0.1μF,10V		C1632	NBE21AM-106X	T CAPACITOR	10μF,10V
	C1005	NCBA1CK-103W	CAPACITOR	0.01μF,16V		C1633	NCB21CK-474X	CAPACITOR	0.47μF,16V
	C1006	NDCA1HJ-130W	CAPACITOR	13pF,50V		C1635	NCBA1AK-104W	CAPACITOR	0.1μF,10V
	C1007	NCBA1CK-103W	CAPACITOR	0.01μF,16V		C1641	NCB21CK-474X	CAPACITOR	0.47μF,16V
	C1008	NCBA1CK-103W	CAPACITOR.A.B.E	0.01μF,16V		C2001	NBE20JM-106X	T CAPACITOR	10μF,6.3V
	C1009	NCBA1CK-103W	CAPACITOR	0.01μF,16V		C2002	NBE20JM-106X	T CAPACITOR	10μF,6.3V
	C1010	NCBA1CK-103W	CAPACITOR	0.01μF,16V		C2004	NCB21CK-105X	CAPACITOR	1μF,16V
	C1011	NCBA1CK-103W	CAPACITOR	0.01μF,16V		C2005	NCB21CK-105X	CAPACITOR	1μF,16V
	C1012	NCBA1CK-103W	CAPACITOR	0.01μF,16V		C2006	NCBA1AK-104W	CAPACITOR,G	0.1μF,10V
	C1013	NCBA1CK-103W	CAPACITOR,A,B,E	0.01μF,16V			NCBA1CK-103W	CAPACITOR,A,B,C,D,E,F,H	0.01μF,16V
	C1014	NCBA1CK-103W	CAPACITOR	0.01μF,16V		C2007	NCBA1AK-104W	CAPACITOR,G	0.1μF,10V
	C1015	NCBA1CK-103W	CAPACITOR	0.01μF,16V			NCBA1CK-103W	CAPACITOR,A,B,C,D,E,F,H	0.01μF,16V
	C1016	NCBA1CK-103W	CAPACITOR	0.01μF,16V		C2008	NCB21CK-105X	CAPACITOR	1μF,16V
	C1017	NCBA1CK-103W	CAPACITOR	0.01μF,16V		C2009	NCB21CK-105X	CAPACITOR	1μF,16V
	C1018	NCBA1CK-103W	CAPACITOR,A,B.E	0.01μF,16V		C2010	NCB21CK-105X	CAPACITOR	1μF,16V
	C1019	NCBA1CK-103W	CAPACITOR	0.01μF,16V		C2011	NBE20JM-106X	T CAPACITOR	10μF,6.3V
	C1023	NCFA1AZ-104W	CAPACITOR	0.1μF,10V		C2012	NBE20JM-106X	T CAPACITOR	10μF,6.3V
	C1026	NCFA1AZ-104W	CAPACITOR	0.1μF,10V		C2013	NCBA1AK-104W	CAPACITOR	0.1μF,10V
	C1027	NCBA1CK-103W	CAPACITOR	0.01μF,16V		C2014	NCBA1AK-104W	CAPACITOR	0.1μF,10V
	C1028	NCBA1CK-103W	CAPACITOR	0.01μF,16V		C2015	NBE20JM-106X	T CAPACITOR	10μF,6.3V
	C1029	NCBA1CK-103W	CAPACITOR	0.01μF,16V		C2016	NCBA1CK-223W	CAPACITOR	0.022μF,16V
	C1030	NCBA1CK-103W	CAPACITOR	0.01μF,16V		C2017	NCBA1AK-333W	CAPACITOR	0.033μF,10V
	C1031	NCB30JK-105X	CAPACITOR	1μF,6.3V		C2018	NCB31CK-104X	CAPACITOR	0.1μF,16V
	C1036	NCFA1AZ-104W	CAPACITOR	0.1μF,10V		C2019	NCB31CK-104X	CAPACITOR	0.1μF,16V
	C1039	NCFA1AZ-104W	CAPACITOR	0.1μF,10V		C2020	NCBA1AK-104W	CAPACITOR	0.1μF,10V
	C1040	NCFA1AZ-104W	CAPACITOR	0.1μF,10V		C2021	NCBA1AK-104W	CAPACITOR	0.1μF,10V
	C1041	NCFA1AZ-104W	CAPACITOR	0.1μF,10V		C2101	NCB31CK-104X	CAPACITOR	0.1μF,16V
	C1307	NCBA1AK-104W	CAPACITOR	0.1μF,10V		C2102	NCB31CK-104X	CAPACITOR	0.1μF,16V
	C1401	NBE20JM-106X	T CAPACITOR	10μF,6.3V		C2103	NCB21CK-105X	CAPACITOR	1μF,16V
	C1402	NBE20JM-106X	T CAPACITOR	10μF,6.3V		C2104	NCB21CK-105X	CAPACITOR	1μF,16V
	C1405	NCFA1AZ-104W	CAPACITOR	0.1μF,10V		C2109	NBE20JM-106X	T CAPACITOR	10μF,6.3V
	C1406	NCFA1AZ-104W	CAPACITOR	0.1μF,10V		C2110	NCB21CK-105X	CAPACITOR	1μF,16V
	C1408	NCFA1AZ-104W	CAPACITOR	0.1μF,10V		C2111	NCBA1EK-472W	CAPACITOR	0.0047μF,25V
	C1409	NCFA1AZ-104W	CAPACITOR	0.1μF,10V		C2112	NCBA1EK-472W	CAPACITOR	0.0047μF,25V
	C1410	NCFA1AZ-104W	CAPACITOR	0.1μF,10V		C2113	NCBA1EK-472W	CAPACITOR	0.0047μF,25V
	C1411	NCFA1AZ-104W	CAPACITOR	0.1μF,10V		C2114	NCBA1EK-472W	CAPACITOR	0.0047μF,25V
	C1412	NCFA1AZ-104W	CAPACITOR	0.1μF,10V		C2115	NCB31CK-104X	CAPACITOR	0.1μF,16V

#	△ REF No.	PART No.	PART NAME, DESCRIPTION	#	△ REF No.	PART No.	PART NAME, DESCRIPTION
C2116		NCB31CK-104X	CAPACITOR 0.1μF,16V	C3502		NBE20JM-106X	T CAPACITOR 10μF,6.3V
C2121		NCBA1CK-223W	CAPACITOR 0.022μF,16V	C3503		NBE20JM-106X	T CAPACITOR 10μF,6.3V
C2122		NCBA1CK-223W	CAPACITOR 0.022μF,16V	C3504		NCBA1AK-473W	CAPACITOR 0.047μF,10V
C2123		NCBA1CK-223W	CAPACITOR 0.022μF,16V	C3505		NCBA1CK-223W	CAPACITOR 0.022μF,16V
C2124		NCBA1CK-223W	CAPACITOR 0.022μF,16V	C3506		NCB21CK-105X	CAPACITOR 1μF,16V
C2125		NCBA1CK-223W	CAPACITOR 0.022μF,16V	C3507		NCBA1CK-103W	CAPACITOR 0.01μF,16V
C2126		NCBA1CK-223W	CAPACITOR 0.022μF,16V	C3508		NCBA1CK-103W	CAPACITOR 0.01μF,16V
C2131		NCBA1HK-102W	CAPACITOR 0.001μF,50V	C3509		NCBA1CK-103W	CAPACITOR 0.01μF,16V
C2132		NCBA1HK-102W	CAPACITOR 0.001μF,50V	C3510		NCBA1AK-104W	CAPACITOR 0.1μF,10V
C2133		NCBA1CK-223W	CAPACITOR 0.022μF,16V	C3511		NCBA1CK-103W	CAPACITOR 0.01μF,16V
C2134		NCBA1CK-223W	CAPACITOR 0.022μF,16V	C3512		NCB31CK-104X	CAPACITOR 0.1μF,16V
C2201		NCBA1CK-103W	CAPACITOR 0.01μF,16V	C3513		NCBA1AK-104W	CAPACITOR 0.1μF,10V
C2202		NCBA1CK-103W	CAPACITOR 0.01μF,16V	C3514		NCBA1AK-473W	CAPACITOR 0.047μF,10V
C3001		NBE20JM-106X	T CAPACITOR 10μF,6.3V	C3515		NCBA1AK-473W	CAPACITOR 0.047μF,10V
C3003		NCB21CK-105X	CAPACITOR 1μF,16V	C3516		NCBA1AK-473W	CAPACITOR 0.047μF,10V
C3004		NCB21CK-105X	CAPACITOR 1μF,16V	C3517		NCBA1CK-103W	CAPACITOR 0.01μF,16V
C3005		NBE20JM-106X	T CAPACITOR 10μF,6.3V	C3518		NCBA1CK-103W	CAPACITOR 0.01μF,16V
C3007		NCB11CK-105X	CAPACITOR 1μF,16V	C3519		NCBA1HK-102W	CAPACITOR 0.001μF,50V
C3008		NBE20JM-106X	T CAPACITOR 10μF,6.3V	C3520		NCBA1CK-103W	CAPACITOR 0.01μF,16V
C3011		NCBA1AK-104W	CAPACITOR 0.1μF,10V	C3521		NCBA1AK-104W	CAPACITOR 0.1μF,10V
C3012		NCBA1AK-104W	CAPACITOR 0.1μF,10V	C3522		NCB20JM-475X	CAPACITOR 4.7μF,6.3V
C3013		NCBA1CK-103W	CAPACITOR 0.01μF,16V	C3523		NCBA1CK-103W	CAPACITOR 0.01μF,16V
C3015		NCBA1CK-103W	CAPACITOR 0.01μF,16V	C3524		NCBA1CK-103W	CAPACITOR 0.01μF,16V
C3016		NCBA1AK-104W	CAPACITOR 0.1μF,10V	C3525		NCB20JM-475X	CAPACITOR 4.7μF,6.3V
C3017		NCBA1AK-104W	CAPACITOR 0.1μF,10V	C3526		NCBA1CK-103W	CAPACITOR 0.01μF,16V
C3020		NCBA1AK-104W	CAPACITOR 0.1μF,10V	C3527		NDCA1EJ-221W	CAPACITOR 220pF,25V
C3021		NCBA1AK-104W	CAPACITOR 0.1μF,10V	C3701		NBE20JM-106X	T CAPACITOR 10μF,6.3V
C3022		NCBA1AK-104W	CAPACITOR 0.1μF,10V	C3702		NDCA1HJ-101W	CAPACITOR,G 100pF,50V
C3023		NDCA1HJ-330W	CAPACITOR 33pF,50V			NDCA1HJ-151W	CAPACITOR,A,B,C,D,E,F,H 150pF,50V
C3024		NCBA1HK-102W	CAPACITOR 0.001μF,50V	C3703		NDCA1HJ-330W	CAPACITOR 33pF,50V
C3025		NCBA1AK-104W	CAPACITOR 0.1μF,10V	C3704		NDCA1HJ-101W	CAPACITOR 100pF,50V
C3026		NCB30JK-105X	CAPACITOR 1μF,6.3V	C3705		NDCA1HJ-330W	CAPACITOR 33pF,50V
C3027		NCBA1EK-472W	CAPACITOR 0.0047μF,25V	C3706		NCBA1CK-103W	CAPACITOR 0.01μF,16V
C3028		NDCA1EJ-271W	CAPACITOR 270pF,25V	C3707		NCFA1AZ-104W	CAPACITOR 0.1μF,10V
C3029		NCBA1CK-103W	CAPACITOR 0.01μF,16V	C3708		NCB30JK-105X	CAPACITOR 1μF,6.3V
C3030		NCBA1AK-104W	CAPACITOR 0.1μF,10V	C3709		NCBA1CK-103W	CAPACITOR 0.01μF,16V
C3031		NCBA1AK-104W	CAPACITOR 0.1μF,10V	C3710		NCBA1CK-103W	CAPACITOR 0.01μF,16V
C3032		NCBA1HK-102W	CAPACITOR 0.001μF,50V	C3711		NBE20GM-226X	T CAPACITOR 22μF,4.0V
C3033		NDCA1HJ-470W	CAPACITOR 47pF,50V	C3712		NBE40GM-107X	T CAPACITOR 100μF,4.0V
C3034		NCBA1HK-102W	CAPACITOR 0.001μF,50V	C3713		NBE40GM-107X	T CAPACITOR 100μF,4.0V
C3035		NDCA1HJ-330W	CAPACITOR 33pF,50V	C3714		NBE20GM-226X	T CAPACITOR 22μF,4.0V
C3038		NCBA1AK-104W	CAPACITOR 0.1μF,10V	C3716		NCBA1CK-103W	CAPACITOR,G 0.01μF,16V
C3039		NCBA1AK-104W	CAPACITOR 0.1μF,10V	C3717		NCB30JK-105X	CAPACITOR,G 1μF,6.3V
C3040		NCBA1AK-104W	CAPACITOR 0.1μF,10V	C3718		NCB30JK-105X	CAPACITOR,G 1μF,6.3V
C3041		NCBA1AK-104W	CAPACITOR 0.1μF,10V	C3901		NCBA1AK-104W	CAPACITOR,G 0.1μF,10V
C3042		NCBA1CK-103W	CAPACITOR 0.01μF,16V	C3902		NCBA1AK-104W	CAPACITOR,G 0.1μF,10V
C3043		NCBA1CK-103W	CAPACITOR 0.01μF,16V	C3903		NCBA1AK-104W	CAPACITOR,G 0.1μF,10V
C3044		NCBA1AK-104W	CAPACITOR 0.1μF,10V	C3904		NCBA1AK-104W	CAPACITOR,G 0.1μF,10V
C3045		NCBA1AK-104W	CAPACITOR 0.1μF,10V	C3905		NCBA1AK-104W	CAPACITOR,G 0.1μF,10V
C3046		NCBA1CK-103W	CAPACITOR 0.01μF,16V	C3906		NCBA1AK-104W	CAPACITOR,G 0.1μF,10V
C3047		NCBA1AK-104W	CAPACITOR 0.1μF,10V	C3907		NCBA1AK-104W	CAPACITOR,G 0.1μF,10V
C3051		NCBA1AK-104W	CAPACITOR 0.1μF,10V	C3908		NCBA1AK-104W	CAPACITOR,G 0.1μF,10V
C3052		NCBA1HK-102W	CAPACITOR 0.001μF,50V	C3909		NCBA1AK-104W	CAPACITOR,G 0.1μF,10V
C3053		NCBA1AK-473W	CAPACITOR 0.047μF,10V	C3910		NCBA1CK-103W	CAPACITOR,G 0.01μF,16V
C3056		NCB30JK-105X	CAPACITOR 1μF,6.3V	C3911		NCBA1AK-104W	CAPACITOR,G 0.1μF,10V
C3057		NCBA1CK-103W	CAPACITOR 0.01μF,16V	C3912		NCBA1AK-104W	CAPACITOR,G 0.1μF,10V
C3058		NCBA1CK-103W	CAPACITOR 0.01μF,16V	C3913		NCBA1AK-104W	CAPACITOR,G 0.1μF,10V
C3060		NCBA1CK-103W	CAPACITOR 0.01μF,16V	C3914		NCBA1AK-104W	CAPACITOR,G 0.1μF,10V
C3061		NCB21CK-105X	CAPACITOR 1μF,16V	C3915		NCBA1AK-104W	CAPACITOR,G 0.1μF,10V
C3062		NCBA1AK-104W	CAPACITOR 0.1μF,10V	C3916		NBE20JM-106X	T CAPACITOR,G 10μF,6.3V
C3063		NCBA1AK-104W	CAPACITOR 0.1μF,10V	C3917		NCBA1AK-104W	CAPACITOR,G 0.1μF,10V
C3064		NCBA1CK-103W	CAPACITOR 0.01μF,16V	C3919		NCB21CK-105X	CAPACITOR,G 1μF,16V
C3501		NBE20JM-106X	T CAPACITOR 10μF,6.3V	C3920		NBE20JM-106X	T CAPACITOR,G 10μF,6.3V



#	△ REF No.	PART No.	PART NAME, DESCRIPTION		#	△ REF No.	PART No.	PART NAME, DESCRIPTION	
C3923		NBE20JM-106X	T CAPACITOR,G	10μF,6.3V	C4337		NCBA1AK-104W	CAPACITOR	0.1μF,10V
C3951		NBE20JM-226X	T CAPACITOR,G	22μF,6.3V	C4338		NCBA1AK-104W	CAPACITOR	0.1μF,10V
C3954		NCBA1AK-104W	CAPACITOR,G	0.1μF,10V	C4339		NCBA1AK-104W	CAPACITOR	0.1μF,10V
C3955		NDCA1HJ-3R0W	CAPACITOR,G	3pF,50V	C4340		NCBA1AK-104W	CAPACITOR	0.1μF,10V
C3956		NDCA1HJ-5R0W	CAPACITOR,G	5pF,50V	C4341		NCBA1AK-104W	CAPACITOR	0.1μF,10V
C3957		NDCA1HJ-330W	CAPACITOR,G	33pF,50V	C4342		NCBA1AK-104W	CAPACITOR	0.1μF,10V
C3958		NCB20JM-475X	CAPACITOR,G	4.7μF,6.3V	C4343		NCBA1AK-104W	CAPACITOR	0.1μF,10V
C3959		NCBA1CK-103W	CAPACITOR,G	0.01μF,16V	C4344		NCBA1AK-104W	CAPACITOR	0.1μF,10V
C3961		NCBA1HK-102W	CAPACITOR,G	0.001μF,50V	C4345		NCBA1AK-104W	CAPACITOR	0.1μF,10V
C3962		NDCA1HJ-3R0W	CAPACITOR,G	3pF,50V	C4346		NCBA1AK-104W	CAPACITOR	0.1μF,10V
C3963		NDCA1HJ-5R0W	CAPACITOR,G	5pF,50V	C4347		NCBA1AK-104W	CAPACITOR	0.1μF,10V
C3964		NDCA1HJ-330W	CAPACITOR,G	33pF,50V	C4348		NCBA1AK-104W	CAPACITOR	0.1μF,10V
C3965		NCBA1HK-102W	CAPACITOR,G	0.001μF,50V	C4349		NCBA1AK-104W	CAPACITOR	0.1μF,10V
C3967		NCBA1CK-103W	CAPACITOR,G	0.01μF,16V	C4350		NCBA1AK-104W	CAPACITOR	0.1μF,10V
C3968		NCBA1CK-103W	CAPACITOR,G	0.01μF,16V	C4803		NBE20JM-106X	T CAPACITOR	10μF,6.3V
C4201		NBE40GM-107X	T CAPACITOR	100μF,4.0V	C4804		NCFA1AZ-104W	CAPACITOR	0.1μF,10V
C4202		NCBA1AK-104W	CAPACITOR	0.1μF,10V	C4805		NCFA1AZ-104W	CAPACITOR	0.1μF,10V
C4203		NCB30JK-105X	CAPACITOR	1μF,6.3V	C4806		NCFA1AZ-104W	CAPACITOR	0.1μF,10V
C4204		NCBA1AK-104W	CAPACITOR	0.1μF,10V	C4808		NCB30JK-105X	CAPACITOR	1μF,6.3V
C4205		NCBA1AK-104W	CAPACITOR	0.1μF,10V	C4809		NCFA1AZ-104W	CAPACITOR	0.1μF,10V
C4206		NCB21CK-105X	CAPACITOR	1μF,16V	C4810		NCBA1CK-103W	CAPACITOR	0.01μF,16V
C4207		NCBA1AK-104W	CAPACITOR	0.1μF,10V	C4811		NCBA1CK-103W	CAPACITOR	0.01μF,16V
C4208		NCBA1HK-392W	CAPACITOR	0.0039μF,50V	C4812		NCFA1AZ-104W	CAPACITOR	0.1μF,10V
C4209		NCB30JK-105X	CAPACITOR	1μF,6.3V	C4813		NCFA1AZ-104W	CAPACITOR	0.1μF,10V
C4210		NCBA1AK-104W	CAPACITOR	0.1μF,10V	C4814		NCFA1AZ-104W	CAPACITOR	0.1μF,10V
C4211		NCBA1AK-104W	CAPACITOR	0.1μF,10V	C4815		NCB31HK-152X	CAPACITOR	0.0015μF,50V
C4212		NCBA1AK-104W	CAPACITOR	0.1μF,10V	C4819		NCB31CK-104X	CAPACITOR	0.1μF,16V
C4213		NCBA1AK-104W	CAPACITOR	0.1μF,10V	C4851		NBE20JM-106X	T CAPACITOR	10μF,6.3V
C4214		NCBA1AK-104W	CAPACITOR	0.1μF,10V	C4852		NCFA1AZ-104W	CAPACITOR	0.1μF,10V
C4215		NCBA1AK-104W	CAPACITOR	0.1μF,10V	C4853		NBE21AM-335X	T CAPACITOR	3.3μF,10V
C4216		NCBA1AK-104W	CAPACITOR	0.1μF,10V	C4854		NBE21AM-106X	T CAPACITOR	10μF,10V
C4301		NCBA1AK-104W	CAPACITOR	0.1μF,10V	C4855		NCB31CK-104X	CAPACITOR	0.1μF,16V
C4303		NCBA1AK-104W	CAPACITOR	0.1μF,10V	C4858		NDCA1HJ-330W	CAPACITOR	33pF,50V
C4304		NCBA1AK-104W	CAPACITOR	0.1μF,10V	C4859		NCBA1HK-102W	CAPACITOR	0.001μF,50V
C4305		NBE20JM-106X	T CAPACITOR	10μF,6.3V	C4860		NCBA1HK-102W	CAPACITOR	0.001μF,50V
C4306		NCBA1AK-104W	CAPACITOR	0.1μF,10V	C4861		NCBA1HK-102W	CAPACITOR	0.001μF,50V
C4307		NBE20JM-106X	T CAPACITOR	10μF,6.3V	C4862		NCBA1HK-102W	CAPACITOR	0.001μF,50V
C4308		NCBA1AK-104W	CAPACITOR	0.1μF,10V	C4864		NBE20JM-106X	T CAPACITOR	10μF,6.3V
C4309		NCBA1AK-104W	CAPACITOR	0.1μF,10V	C4865		NCBA1AK-104W	CAPACITOR	0.1μF,10V
C4310		NBE20JM-106X	T CAPACITOR	10μF,6.3V	C5501		NCBA1AK-104W	CAPACITOR	0.1μF,10V
C4311		NCB30JK-105X	CAPACITOR	1μF,6.3V	C5503		NCBA1AK-104W	CAPACITOR	0.1μF,10V
C4312		NCBA1AK-104W	CAPACITOR	0.1μF,10V	C5504		NCBA1AK-104W	CAPACITOR	0.1μF,10V
C4313		NBE20JM-226X	T CAPACITOR	22μF,6.3V	C5505		NCBA1AK-104W	CAPACITOR	0.1μF,10V
C4314		NCBA1AK-104W	CAPACITOR	0.1μF,10V	C5506		NBE40JM-476X	T CAPACITOR	47μF,6.3V
C4315		NBE20JM-106X	T CAPACITOR	10μF,6.3V	C5507		NCBA1AK-104W	CAPACITOR	0.1μF,10V
C4317		NCBA1AK-104W	CAPACITOR	0.1μF,10V	C5508		NCBA1AK-104W	CAPACITOR	0.1μF,10V
C4318		NCBA1AK-104W	CAPACITOR	0.1μF,10V	C5509		NCBA1AK-104W	CAPACITOR	0.1μF,10V
C4319		NCBA1AK-104W	CAPACITOR	0.1μF,10V	C5510		NBP21VM-105X	T CAPACITOR	1μF,35V
C4320		NCBA1AK-104W	CAPACITOR	0.1μF,10V	C5511		NBP21DM-475X	T CAPACITOR	4.7μF,20V
C4321		NCBA1AK-104W	CAPACITOR	0.1μF,10V	C5512		NBE21AM-106X	T CAPACITOR	10μF,10V
C4323		NCBA1AK-104W	CAPACITOR	0.1μF,10V	C5513		NCB31CK-104X	CAPACITOR	0.1μF,16V
C4324		NBE20JM-106X	T CAPACITOR	10μF,6.3V	C5514		NCBA1AK-104W	CAPACITOR	0.1μF,10V
C4325		NCBA1AK-104W	CAPACITOR	0.1μF,10V	C5515		NCBA1AK-104W	CAPACITOR	0.1μF,10V
C4327		NCBA1AK-104W	CAPACITOR	0.1μF,10V	C5516		NCBA1AK-104W	CAPACITOR	0.1μF,10V
C4328		NCBA1AK-104W	CAPACITOR	0.1μF,10V	C5517		NCB31CK-104X	CAPACITOR	0.1μF,16V
C4329		NCBA1AK-104W	CAPACITOR	0.1μF,10V	C5518		NCBA1AK-104W	CAPACITOR	0.1μF,10V
C4330		NCBA1AK-104W	CAPACITOR	0.1μF,10V	C5519		NCBA1AK-104W	CAPACITOR	0.1μF,10V
C4331		NBE20JM-106X	T CAPACITOR	10μF,6.3V	C6001		NCBA1CK-103W	CAPACITOR	0.01μF,16V
C4332		NCBA1AK-104W	CAPACITOR	0.1μF,10V	C6004		NCB21CK-105X	CAPACITOR	1μF,16V
C4333		NCBA1AK-104W	CAPACITOR	0.1μF,10V	C6005		NDCA1HJ-101W	CAPACITOR	100pF,50V
C4334		NCBA1AK-104W	CAPACITOR	0.1μF,10V	C6101		NCB21CK-105X	CAPACITOR	1μF,16V
C4335		NCBA1AK-104W	CAPACITOR	0.1μF,10V	C6102		NEA71CM-106X	E CAPACITOR	10μF,16V
C4336		NCBA1AK-104W	CAPACITOR	0.1μF,10V	C6103		NCB21CK-105X	CAPACITOR	1μF,16V

#	△ REF No.	PART No.	PART NAME, DESCRIPTION	#	△ REF No.	PART No.	PART NAME, DESCRIPTION
C6105		NCB21CK-105X	CAPACITOR 1μF,16V	C8006		NCBA1AK-104W	CAPACITOR 0.1μF,10V
C6106		NCB21CK-105X	CAPACITOR 1μF,16V	C8007		NCBA1AK-104W	CAPACITOR 0.1μF,10V
C6107		NCB21CK-105X	CAPACITOR 1μF,16V	C8008		NCBA1AK-104W	CAPACITOR 0.1μF,10V
C6108		NCB21CK-105X	CAPACITOR 1μF,16V	C8009		NCBA1AK-104W	CAPACITOR 0.1μF,10V
C6109		NCB21CK-105X	CAPACITOR 1μF,16V	C8010		NCBA1AK-104W	CAPACITOR 0.1μF,10V
C6110		NCBA1AK-104W	CAPACITOR 0.1μF,10V	C8011		NCBA1AK-104W	CAPACITOR 0.1μF,10V
C6111		NCBA1AK-104W	CAPACITOR 0.1μF,10V	C8012		NCBA1AK-104W	CAPACITOR 0.1μF,10V
C6112		NCBA1AK-333W	CAPACITOR 0.033μF,10V	C8013		NCBA1AK-104W	CAPACITOR 0.1μF,10V
C6113		NCBA1HK-561W	CAPACITOR 560pF,50V	C8014		NBE40JM-476X	T CAPACITOR 47μF,6.3V
C6114		NCBA1HK-272W	CAPACITOR 0.0027μF,50V	C8015		NCBA1AK-104W	CAPACITOR 0.1μF,10V
C6115		NCBA1HK-561W	CAPACITOR 560pF,50V	C8016		NCBA1AK-104W	CAPACITOR 0.1μF,10V
C6116		NCBA1CK-103W	CAPACITOR 0.01μF,16V	C8017		NCBA1HK-102W	CAPACITOR 0.001μF,50V
C6117		NCBA1AK-104W	CAPACITOR 0.1μF,10V	C8018		NCBA1AK-104W	CAPACITOR 0.1μF,10V
C6118		NCBA1AK-104W	CAPACITOR 0.1μF,10V	C8019		NCBA1AK-104W	CAPACITOR 0.1μF,10V
C6119		NDCA1HJ-101W	CAPACITOR 100pF,50V	C8020		NCBA1AK-104W	CAPACITOR 0.1μF,10V
C6120		NCB11CK-105X	CAPACITOR 1μF,16V	C8021		NCBA1AK-104W	CAPACITOR 0.1μF,10V
C6121		NCB31CK-104X	CAPACITOR 0.1μF,16V	C8022		NCBA1AK-104W	CAPACITOR 0.1μF,10V
C6122		NCBA1CK-223W	CAPACITOR 0.022μF,16V	C8023		NCBA1AK-104W	CAPACITOR 0.1μF,10V
C6123		NCBA1CK-103W	CAPACITOR 0.01μF,16V	C8024		NCBA1AK-104W	CAPACITOR 0.1μF,10V
C6124		NCBA1CK-103W	CAPACITOR 0.01μF,16V	C8025		NBE20JM-106X	T CAPACITOR 10μF,6.3V
C6125		NCBA1CK-103W	CAPACITOR 0.01μF,16V	C8026		NCBA1AK-104W	CAPACITOR 0.1μF,10V
C6126		NCBA1CK-103W	CAPACITOR 0.01μF,16V	C8039		NCBA1AK-104W	CAPACITOR 0.1μF,10V
C6127		NCBA1HK-102W	CAPACITOR 0.001μF,50V	C8040		NDCA1HJ-270W	CAPACITOR 27pF,50V
C6128		NCB21CK-105X	CAPACITOR 1μF,16V	C8045		NBE20JM-106X	T CAPACITOR 10μF,6.3V
C6129		NCBA1HK-561W	CAPACITOR 560pF,50V	C8046		NBE21AM-106X	T CAPACITOR 10μF,10V
C6131		NCBA1AK-104W	CAPACITOR 0.1μF,10V	C8047		NCBA1AK-104W	CAPACITOR 0.1μF,10V
C6132		NCBA1AK-104W	CAPACITOR 0.1μF,10V	C8401		NBE20JM-106X	T CAPACITOR 10μF,6.3V
C6133		NCBA1AK-104W	CAPACITOR 0.1μF,10V	C8402		NCBA1AK-104W	CAPACITOR 0.1μF,10V
C6201		NCB21CK-105X	CAPACITOR 1μF,16V	C8403		NCBA1AK-104W	CAPACITOR 0.1μF,10V
C6202		NCB10JK-106X	CAPACITOR 10μF,6.3V	C8404		NCBA1AK-104W	CAPACITOR 0.1μF,10V
C6203		NCBA1HK-102W	CAPACITOR 0.001μF,50V	C8405		NCBA1AK-104W	CAPACITOR 0.1μF,10V
C6204		NCBA1HK-561W	CAPACITOR 560pF,50V	C8406		NBE21AM-106X	T CAPACITOR 10μF,10V
C6205		NCB21CK-105X	CAPACITOR 1μF,16V	C8407		NBE20JM-106X	T CAPACITOR 10μF,6.3V
C6206		NCB21CK-105X	CAPACITOR 1μF,16V	C8408		NBE20JM-106X	T CAPACITOR 10μF,6.3V
C6207		NCB10JK-106X	CAPACITOR 10μF,6.3V	C8409		NCBA1AK-104W	CAPACITOR 0.1μF,10V
C6208		NCBA1EK-472W	CAPACITOR 0.0047μF,25V	L1001		NQL315K-100X	COIL 10μH
C6209		NCB21CK-105X	CAPACITOR 1μF,16V	L1002		NQL315K-100X	COIL 10μH
C6210		NCB10JK-106X	CAPACITOR 10μF,6.3V	L1401		NQR0006-001X	FERRITE BEAD
C6211		NCBA1HK-102W	CAPACITOR 0.001μF,50V	L1402		NRSA02J-0R0X	MG RESISTOR 0Ω,1/10W
C6212		NCB21CK-105X	CAPACITOR 1μF,16V	L2001		NQL315K-100X	COIL 10μH
C6213		NCB11EK-105X	CAPACITOR 1μF,25V	L2002		NQL38DK-220X	COIL 22μH
C6214		NCB21CK-105X	CAPACITOR 1μF,16V	L3001		NQR0006-001X	FERRITE BEAD
C6215		NCB21CK-105X	CAPACITOR 1μF,16V	L3002		NQR0129-002X	FERRITE BEAD
C6216		NCBA1AK-683W	CAPACITOR 0.068μF,10V	L3003		NQR0129-002X	FERRITE BEAD
C6217		NCB21CK-105X	CAPACITOR 1μF,16V	L3004		NQR0006-001X	FERRITE BEAD
C6218		NCB21CK-105X	CAPACITOR 1μF,16V	L3005		NQR0129-002X	FERRITE BEAD
C6219		NCB21CK-224X	CAPACITOR 0.22μF,16V	L3006		NQR0006-001X	FERRITE BEAD
C6220		NCB21CK-105X	CAPACITOR 1μF,16V	L3007		NQL085J-2R2X	COIL 2.2μH
C6221		NCB11EK-105X	CAPACITOR 1μF,25V	L3008		NQL085J-120X	COIL 12μH
C6222		NCB11EK-105X	CAPACITOR 1μF,25V	L3009		NQL085J-120X	COIL 12μH
C6224		NCBA1HK-102W	CAPACITOR 0.001μF,50V	L3012		NQR0006-001X	FERRITE BEAD
C6225		NCBA1CK-103W	CAPACITOR 0.01μF,16V	L3013		NQR0006-001X	FERRITE BEAD
C6226		NCB21CK-105X	CAPACITOR 1μF,16V	L3501		NQR0129-002X	FERRITE BEAD
C6227		NCB11EK-105X	CAPACITOR 1μF,25V	L3502		NQL302N-100X	COIL 10μH
C6228		NCB11EK-105X	CAPACITOR 1μF,25V	L3503		NQR0006-001X	FERRITE BEAD
C6230		NCB21CK-105X	CAPACITOR 1μF,16V	L3504		NQR0006-001X	FERRITE BEAD
C6231		NCBA1CK-103W	CAPACITOR 0.01μF,16V	L3505		NQR0006-001X	FERRITE BEAD
C6701		NCB21CK-105X	CAPACITOR 1μF,16V	L3701		NQL38DK-100X	COIL 10μH
C6703		NCB11CK-105X	CAPACITOR 1μF,16V	L3901		NQR0006-001X	FERRITE BEAD,G
C8001		NCBA1AK-104W	CAPACITOR 0.1μF,10V	L3902		NQR0129-002X	FERRITE BEAD,G
C8002		NBE20JM-106X	T CAPACITOR 10μF,6.3V	L3904		NQL38DK-100X	COIL,G 10μH
C8003		NCBA1AK-104W	CAPACITOR 0.1μF,10V	L3951		NQL302N-100X	COIL,G 10μH
C8005		NCBA1AK-104W	CAPACITOR 0.1μF,10V	L3952		NQL085J-6R8X	COIL,G 6.8μH



#	△ REF No.	PART No.	PART NAME, DESCRIPTION	#	△ REF No.	PART No.	PART NAME, DESCRIPTION
R18		NRSA63J-473X	MG RESISTOR 47kΩ,1/16W	C7608		NCB31EK-103X	CAPACITOR 0.01μF,25V
R19		NRSA63J-103X	MG RESISTOR 10kΩ,1/16W	C7609		NCB31CK-104X	CAPACITOR 0.1μF,16V
R21		NRSA63J-103X	MG RESISTOR 10kΩ,1/16W	C7610		NCB11CK-225X	CAPACITOR 2.2μF,16V
R22		NRSA63J-473X	MG RESISTOR 47kΩ,1/16W	C7611		NCB11CK-225X	CAPACITOR 2.2μF,16V
R23		NRSA63J-104X	MG RESISTOR 100kΩ,1/16W	C7612		NCB11CK-225X	CAPACITOR 2.2μF,16V
R24		NRSA63J-0R0X	MG RESISTOR 0Ω,1/16W	C7613		NCB11CK-225X	CAPACITOR 2.2μF,16V
R27		NRSA63J-0R0X	MG RESISTOR 0Ω,1/16W	C7614		NCB31HK-152X	CAPACITOR 0.0015μF,50V
R7101		NRSA63J-562X	MG RESISTOR,A,B,C,D,H 5.6kΩ,1/16W	C7615		NCB31EK-103X	CAPACITOR 0.01μF,25V
R7102		NRSA63J-562X	MG RESISTOR,A,B,C,D,H 5.6kΩ,1/16W	C7616		NCB31EK-103X	CAPACITOR 0.01μF,25V
R7103		NRSA63J-103X	MG RESISTOR,A,B,C,D,H 10kΩ,1/16W	C7617		NCB31EK-103X	CAPACITOR 0.01μF,25V
R7104		NRSA63J-0R0X	MG RESISTOR 0Ω,1/16W	C7618		NCB10JK-106X	CAPACITOR 10μF,6.3V
R7110		NRSA63J-0R0X	MG RESISTOR,A,B,C,D,H 0Ω,1/16W	C7619		NCB10JK-106X	CAPACITOR 10μF,6.3V
R7111		NRSA63J-0R0X	MG RESISTOR,A,B,C,D,H 0Ω,1/16W	C7620		NCB31EK-103X	CAPACITOR 0.01μF,25V
R7112		NRSA63J-0R0X	MG RESISTOR,A,B,C,D,H 0Ω,1/16W	C7621		NCB21CK-105X	CAPACITOR 1μF,16V
R7113		NRSA63J-0R0X	MG RESISTOR,A,B,C,D,H 0Ω,1/16W	C7622		NCB21CK-105X	CAPACITOR 1μF,16V
R7114		NRSA63J-0R0X	MG RESISTOR,A,B,C,D,H 0Ω,1/16W	C7623		NBE21AM-106X	T CAPACITOR 10μF,10V
R7115		NRSA63J-0R0X	MG RESISTOR,A,B,C,D,H 0Ω,1/16W	C7624		NCB31EK-103X	CAPACITOR 0.01μF,25V
R7601		NRVA63D-622X	CMF RESISTOR 6.2kΩ,1/16W	C7626		NCB31CK-104X	CAPACITOR 0.1μF,16V
R7602		NRSA63J-153X	MG RESISTOR 15kΩ,1/16W	C7627		NCF31CZ-104X	CAPACITOR 0.1μF,16V
R7603		NRSA63J-683X	MG RESISTOR 68kΩ,1/16W	C7628		NBP41EM-475X	T CAPACITOR 4.7μF,25V
R7608		NRSA63J-153X	MG RESISTOR 15kΩ,1/16W	C7629		NBP21CM-335X	T CAPACITOR 3.3μF,16V
R7609		NRVA63D-223X	CMF RESISTOR 22kΩ,1/16W	C7630		NBP41EM-475X	T CAPACITOR 4.7μF,25V
R7610		NRVA63D-433X	CMF RESISTOR 43kΩ,1/16W	C7631		NCB31EK-103X	CAPACITOR 0.01μF,25V
R7611		NRVA63D-821X	CMF RESISTOR 820Ω,1/16W	C7632		NBP41EM-475X	T CAPACITOR 4.7μF,25V
R7612		NRVA63D-682X	CMF RESISTOR,E,F,G,H 6.8kΩ,1/16W	C7633		NCB31EK-103X	CAPACITOR 0.01μF,25V
		NRVA63D-223X	CMF RESISTOR,A,B,C,D 22kΩ,1/16W	C7634		NCB10JK-106X	CAPACITOR 10μF,6.3V
R7613		NRVA63D-223X	CMF RESISTOR 22kΩ,1/16W	C7635		NCB31EK-103X	CAPACITOR 0.01μF,25V
R7614		NRVA63D-223X	CMF RESISTOR 22kΩ,1/16W	C7636		NCF31CZ-104X	CAPACITOR,E,F,G,H 0.1μF,16V
R7615		NRSA63J-223X	MG RESISTOR 22kΩ,1/16W	C7637		NCB31EK-103X	CAPACITOR 0.01μF,25V
R7616		NRSA63J-223X	MG RESISTOR 22kΩ,1/16W	C7638		NCB21AK-225X	CAPACITOR,E,F,G 2.2μF,10V
R7617		NRSA02J-561X	MG RESISTOR 560Ω,1/10W	C7639		NBE21AM-106X	T CAPACITOR,E,F,G 10μF,10V
R7618		NRSA02J-561X	MG RESISTOR 560Ω,1/10W	C7640		NCB31EK-103X	CAPACITOR 0.01μF,25V
R7621		NRSA63J-0R0X	MG RESISTOR,A,B,C,D 0Ω,1/16W	C7642		NCF31CZ-104X	CAPACITOR 0.1μF,16V
R7622		NRSA63J-223X	MG RESISTOR,E,F,G,H 22kΩ,1/16W	L10		NQR0129-002X	FERRITE BEAD
R7623		NRSA63J-223X	MG RESISTOR,E,F,G,H 22kΩ,1/16W	L7601		NQL315K-100X	COIL 10μH
R7624		NRVA63D-223X	CMF RESISTOR,E,F,G,H 22kΩ,1/16W	L7602		NQL315K-100X	COIL 10μH
R7625		NRVA63D-223X	CMF RESISTOR,E,F,G,H 22kΩ,1/16W	L7604		NQL315K-100X	COIL 10μH
R7626		NRVA63D-183X	CMF RESISTOR,E,F,G 18kΩ,1/16W	L7605		NQL315K-100X	COIL,A,B,C,D 10μH
R7627		NRVA63D-334X	CMF RESISTOR,E,F,G 330kΩ,1/16W	L7606		NQL315K-100X	COIL,E,F,G,H 10μH
R7628		NRSA63J-224X	MG RESISTOR,E,F,G 220kΩ,1/16W	L7607		NQL315K-100X	COIL 10μH
R7629		NRSA63J-393X	MG RESISTOR,E,F,G 39kΩ,1/16W	SW1		NSW0092-001X	SLIDE SWITCH,LIGHT
R7630		NRSA63J-223X	MG RESISTOR 22kΩ,1/16W	SW2		NSW0008-001X	TACT SWITCH,STOP
R7631		NRSA63J-335X	MG RESISTOR 3.3MΩ,1/16W	SW3		NSW0008-001X	TACT SWITCH,REW
R7633		NRSA63J-103X	MG RESISTOR 10kΩ,1/16W	SW4		NSW0008-001X	TACT SWITCH,FF
R7640		NRSA63J-0R0X	MG RESISTOR,E,F,G 0Ω,1/16W	SW5		NSW0008-001X	TACT SWITCH,PLAY/PAUSE
R7641		NRSA63J-0R0X	MG RESISTOR,E,F,G 0Ω,1/16W	SW6		NSW0099-001X	SLIDE SWITCH,DSC
R7642		NRSA63J-0R0X	MG RESISTOR,E,F,G 0Ω,1/16W	SW7601		NSW0105-001X	DETECT SWITCH,OPEN
R7643		NRSA63J-0R0X	MG RESISTOR,E,F,G 0Ω,1/16W	CN761		QGF0508F1-50X	FPC CONNECTOR
R7644		NRSA63J-0R0X	MG RESISTOR,E,F,G 0Ω,1/16W	CN763		QGF0507F3-20X	FFC/FPC CONNECTOR
R7645		NRSA63J-0R0X	MG RESISTOR,E,F,G 0Ω,1/16W	CN764		QGF0305F1-33X	FPC CONNECTOR
R7646		NRSA63J-0R0X	MG RESISTOR,E,F,G 0Ω,1/16W	CN765		QGA1201F2-02X	CONNECTOR
C1		NCB31EK-103X	CAPACITOR 0.01μF,25V	CN766		NNZ0058-001X	SD CARD CONNECTOR
C11		NBE20JM-106X	T CAPACITOR 10μF,6.3V	△ BT1		QAB0025-001	LI BATTERY
C7101		NCF31CZ-104X	CAPACITOR 0.1μF,16V	OT1		LY43043-001B	SHIELD SHEET
C7102		NCB31HK-103X	CAPACITOR 0.01μF,50V	OT2		LY43119-001A	SHIELD SHEET,A,B,C,D,H
C7103		NBE20JM-475X	T CAPACITOR,A,B,C,D,H 4.7μF,6.3V				
C7601		NCB21CK-105X	CAPACITOR 1μF,16V				
C7602		NCB31EK-103X	CAPACITOR 0.01μF,25V				
C7603		NCB11CK-225X	CAPACITOR 2.2μF,16V				
C7604		NCB11CK-225X	CAPACITOR 2.2μF,16V				
C7605		NCB11CK-225X	CAPACITOR 2.2μF,16V				
C7606		NCB31CK-104X	CAPACITOR 0.1μF,16V				
C7607		NBP41CM-106X	T CAPACITOR 10μF,16V				

# ▲ REF No. PART No. PART NAME, DESCRIPTION

\*\*\*\*\*

**LCD BL BOARD ASSEMBLY <03>**

PW2	YB10324A2-02	LCD BL BOARD ASSY,E,F,G,H	
	YB10324B2-02	LCD BL BOARD ASSY,A,B	
	YB10325B	LCD BL BOARD ASSY,C,D	
IC751	MIP805	IC,E,F,G,H	
Q7501	2SC3647/ST/-X	POW TRANSISTOR	
Q7502	2SC3647/ST/-X	POW TRANSISTOR	
Q7503	DTA144EE	TRANSISTOR	
	or RN2104	TRANSISTOR	
	or UN9113J	TRANSISTOR	
Q7504	2SC4617/QR/-X	TRANSISTOR	
D751	1SS376	DIODE,E,F,G,H	
R751	NRSA63J-104X	MG RESISTOR,E,F,G,H	100kΩ, 1/16W
R7501	NRSA63J-102X	MG RESISTOR	1kΩ, 1/16W
R7502	NRSA63J-102X	MG RESISTOR	1kΩ, 1/16W
R7503	NRSA63J-102X	MG RESISTOR	1kΩ, 1/16W
R7506	NRSA63J-473X	MG RESISTOR	47kΩ, 1/16W
R7507	NRSA63J-473X	MG RESISTOR	47kΩ, 1/16W
C751	NBE20JM-106X	T CAPACITOR,E,F,G,H	10μF,6.3V
C752	NBE20JM-106X	T CAPACITOR,E,F,G,H	10μF,6.3V
C753	NCB31HK-222X	CAPACITOR,E,F,G,H	0.0022μF,50V
C754	NCB31HK-222X	CAPACITOR,E,F,G,H	0.0022μF,50V
C7501	NCZ1016-120X	CAPACITOR	12pF,2k
C7503	NFV41HJ-223X	MPPS CAPACITOR	0.022μF,50V
C7504	NCB31EK-103X	CAPACITOR	0.01μF,25V
C7505	NBE20JM-226X	T CAPACITOR	22μF,6.3V
L751	NQLZ011-681X	COIL,E,F,G,H	680μH
L752	NQL315K-100X	COIL,E,F,G,H	10μH
L7501	NQLZ010-680X	COIL	68μH
L7502	NQLZ010-220X	COIL	22μH
T7501	NQS0048-001X	SW TRANSF	
CN751	QGF0506F2-32X	FPC CONNECTOR	
CN752	QGF0505F1-24X	FPC CONNECTOR	
CN753	QGA5002F1-02X	CONNECTOR	
CN754	QGF0505F2-06X	FPC CONNECTOR,E,F,G,H	
△ F751	NMFZ007-R20X-K	FUSE,E,F,G,H	T0.2A
△ F7501	NMFZ009-R375XJ1	FUSE	T0.37A
OT1	LY41726-001A	PLATE(EARTH)	

\*\*\*\*\*

**CCD BOARD ASSEMBLY <04>**

PW	YB10316A-01	CCD BOARD ASSY	
Q5001	2SC3931/CD/-X	TRANSISTOR	
R5001	NRSA02J-472X	MG RESISTOR	4.7kΩ, 1/10W
R5002	NRSA02J-0R0X	MG RESISTOR	0Ω, 1/10W
R5003	NRSA02J-104X	MG RESISTOR	100kΩ, 1/10W
R5004	NRS181J-0R0X	MG RESISTOR	0Ω, 1/8W
R5006	NRSA02J-0R0X	MG RESISTOR	0Ω, 1/10W
R5007	NRS181J-0R0X	MG RESISTOR	0Ω, 1/8W
C5001	NCB21CK-104X	CAPACITOR	0.1μF,16V
C5002	NBP41DM-106X	T CAPACITOR	10μF,20V
C5003	NCB21CK-104X	CAPACITOR	0.1μF,16V
C5004	NBE21AM-106X	T CAPACITOR	10μF,10V
C5005	NCB11EK-104X	CAPACITOR	0.1μF,25V
C5006	NCB21CK-104X	CAPACITOR	0.1μF,16V
C5007	NCB21HK-222X	CAPACITOR	0.0022μF,50V
C5011	NCB21CK-105X	CAPACITOR	1μF,16V
L5001	NQL315K-100X	COIL	10μH

# ▲ REF No. PART No. PART NAME, DESCRIPTION

\*\*\*\*\*

**JUNCTION BOARD ASSEMBLY <05>**

PW2	YB10314A2-01	JUNCTION BOARD ASSY
D571	SML-010MT-X	LE DIODE
SW571	NSW0120-002X	PUSH SWITCH
CN571	QGF0508F1-34X	FPC CONNECTOR
CN572	QGF0507F3-15X	FFC/FPC CONNECTOR
CN573	QGF0505F2-11X	FPC CONNECTOR
CN574	QGF0505F2-06X	FPC CONNECTOR

\*\*\*\*\*

**JACK BOARD ASSEMBLY <06>**

PW1	YB10314B1-02	JACK BOARD ASSY	
IC501	BA10358F-XE	IC	
IC502	RS-171-X	IC(PHOTO SENSOR)	
Q501	RPM-22PB	PHOTO TRANSISTOR	
D501	MA8068	ZENER DIODE	
D502	MA8068	ZENER DIODE	
D504	MA8068	ZENER DIODE	
D505	MA8068	ZENER DIODE	
D506	EMZ6.8N	ZENER DIODE	
R501	NRSA63J-103X	MG RESISTOR	10kΩ, 1/16W
R502	NRSA63J-684X	MG RESISTOR	680kΩ, 1/16W
R503	NRSA63J-182X	MG RESISTOR	1.8kΩ, 1/16W
R504	NRSA63J-222X	MG RESISTOR	2.2kΩ, 1/16W
R505	NRSA63J-103X	MG RESISTOR	10kΩ, 1/16W
R506	NRSA63J-824X	MG RESISTOR	820kΩ, 1/16W
R507	NRSA63J-104X	MG RESISTOR	100kΩ, 1/16W
R508	NRSA63J-683X	MG RESISTOR	68kΩ, 1/16W
R509	NRSA63J-822X	MG RESISTOR	8.2kΩ, 1/16W
R510	NRSA63J-0R0X	MG RESISTOR	0Ω, 1/16W
R511	NRSA63J-302X	MG RESISTOR	3kΩ, 1/16W
R512	NRSA63J-470X	MG RESISTOR	47Ω, 1/16W
R513	NRSA63J-101X	MG RESISTOR	100Ω, 1/16W
R514	NRSA63J-101X	MG RESISTOR	100Ω, 1/16W
R515	NRSA63J-0R0X	MG RESISTOR	0Ω, 1/16W
R516	NRSA63J-221X	MG RESISTOR	220Ω, 1/16W
R517	NRSA63J-331X	MG RESISTOR	330Ω, 1/16W
R518	NRSA63J-0R0X	MG RESISTOR	0Ω, 1/16W
R521	NRSA63J-0R0X	MG RESISTOR	0Ω, 1/16W
R522	NRSA63J-0R0X	MG RESISTOR	0Ω, 1/16W
R523	NRSA63J-0R0X	MG RESISTOR	0Ω, 1/16W
R524	NRSA63J-0R0X	MG RESISTOR	0Ω, 1/16W
R525	NRSA63J-0R0X	MG RESISTOR	0Ω, 1/16W
R526	NRSA63J-0R0X	MG RESISTOR	0Ω, 1/16W
R527	NRSA63J-0R0X	MG RESISTOR	0Ω, 1/16W
C501	NBE21AM-335X	T CAPACITOR	3.3μF,10V
C502	NCF31CZ-104X	CAPACITOR	0.1μF,16V
C503	NCB31EK-153X	CAPACITOR	0.015μF,25V
C504	NCB31EK-153X	CAPACITOR	0.015μF,25V
C506	NBE21AM-106X	T CAPACITOR	10μF,10V
C509	NBE20JM-226X	T CAPACITOR	22μF,6.3V
C514	NCB31HK-103X	CAPACITOR	0.01μF,50V
C515	NCB31HK-103X	CAPACITOR	0.01μF,50V
L501	NQR0251-004X	FERRITE BEAD	
L502	NQR0251-004X	FERRITE BEAD	

#	△ REF No.	PART No.	PART NAME, DESCRIPTION
	L503	NQR0251-004X	FERRITE BEAD
	TL501	YQ43810-1-1	CONTACT(LIGHT)
	TL502	YQ43810-1-1	CONTACT(LIGHT)
	HD1	LY32086-001B	HOLDER(J.PWB)
	WR1	WJJ0207-002A	E-SI C WIRE C-C,CN501-MAIN CN102
	J501	QNS0078-001	3.5 JACK
	J502	PEMC1203	MINI JACK
	J503	QND0004-001	S JACK
	J505	QNZ0497-001	USB CONNECTOR
	CN501	QGA1002F1-09X	CONNECTOR
	CN502	QGF0507F3-14X	FFC/FPC CONNECTOR
	OT1	LY30018-023A	SPECIAL SCREW,X4
	OT2	LY30017-023A	SPACER-B,X2

#	△ REF No.	PART No.	PART NAME, DESCRIPTION
---	-----------	----------	------------------------