

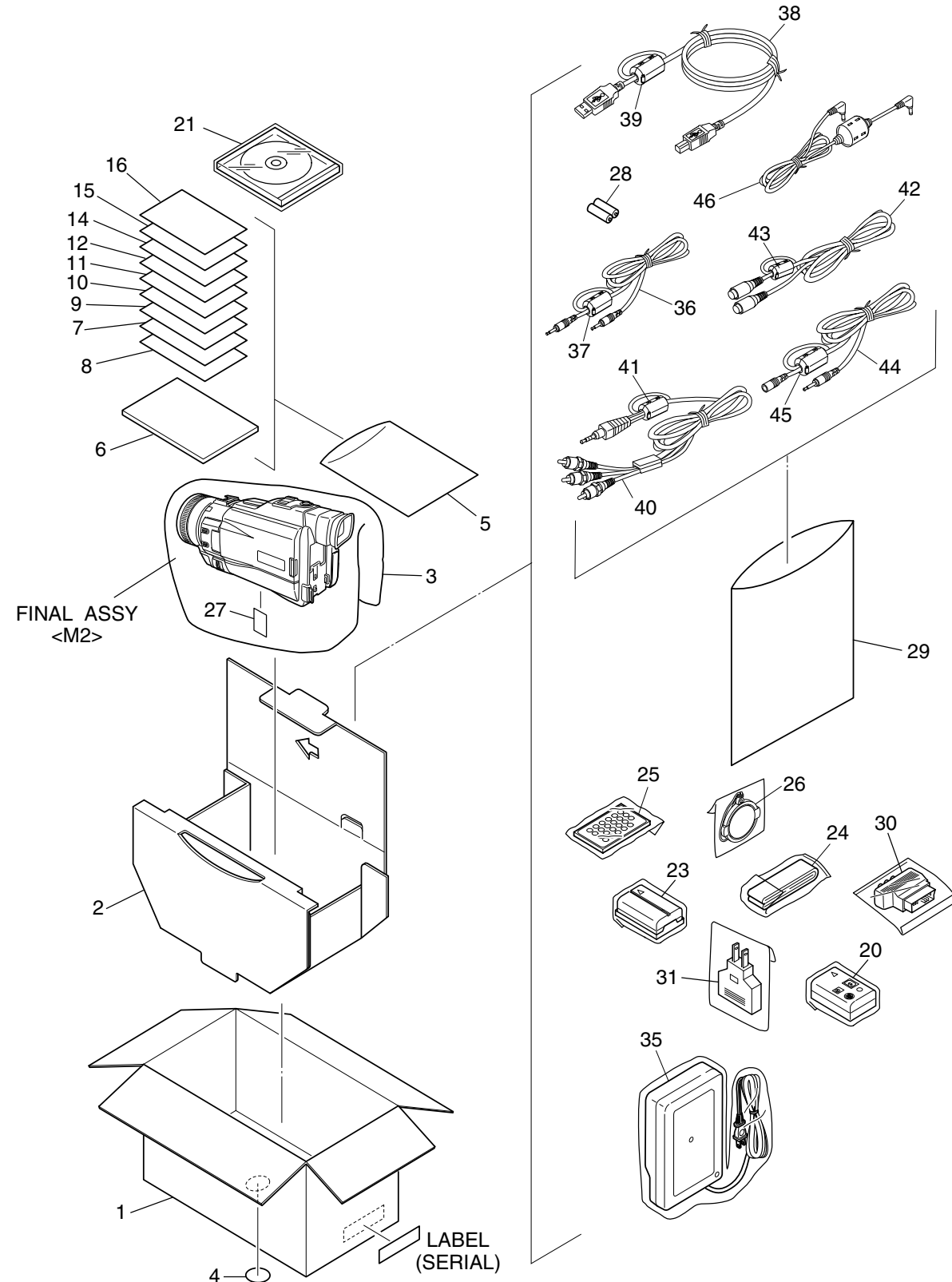
SECTION 5 PARTS LIST

SAFETY PRECAUTION

Parts identified by the \triangle symbol are critical for safety. Replace only with specified part numbers.

5.1 PACKING AND ACCESSORY ASSEMBLY <M1>

The instruction manual to be provided with this product will differ according to the destination.



#	\triangle REF No.	PART No.	PART NAME, DESCRIPTION	#	\triangle REF No.	PART No.	PART NAME, DESCRIPTION

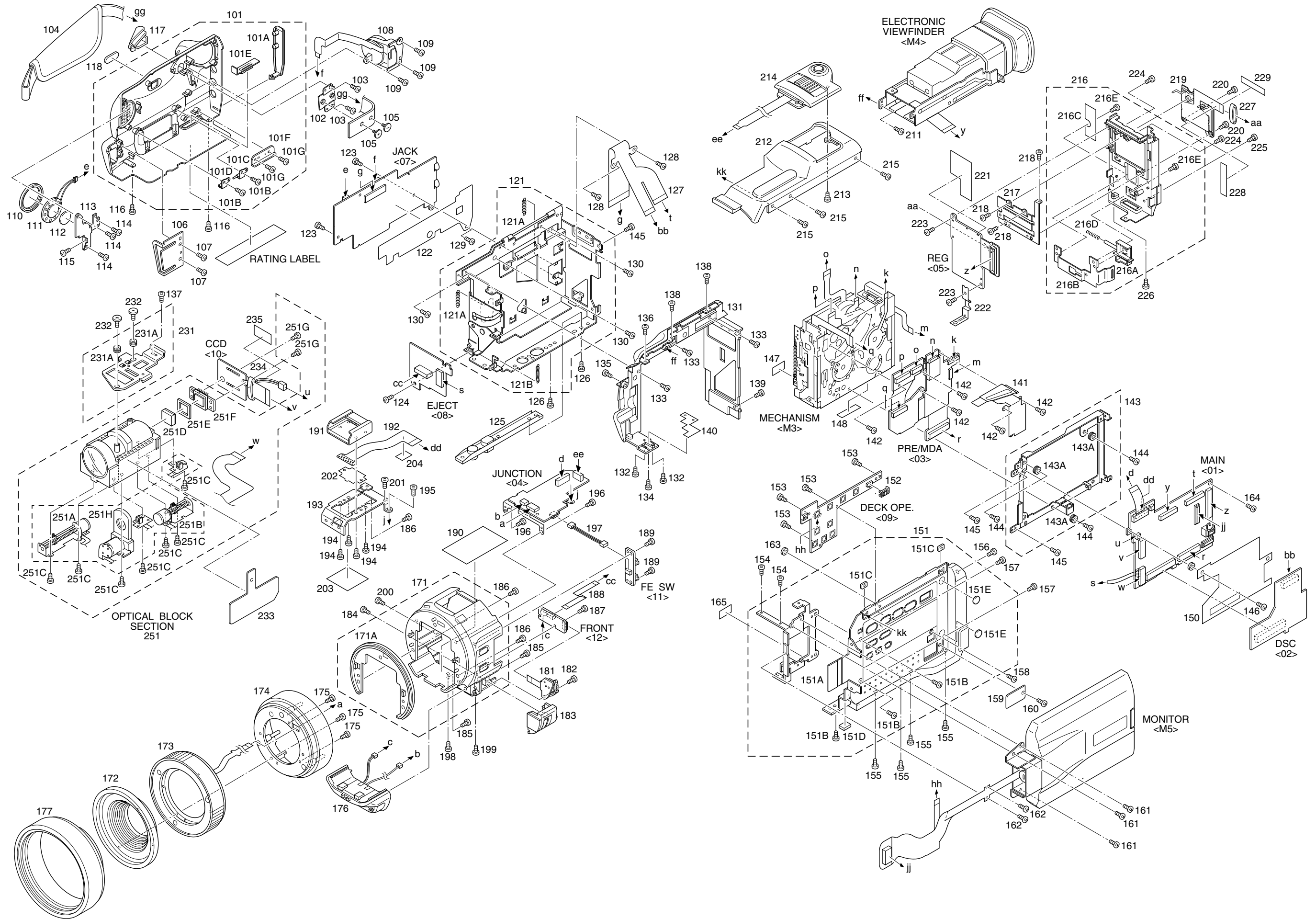
PACKING AND ACCESSORY ASSEMBLY <M1>							
		1	LY32592-001A			23	LY32566-001A
			LY32592-002A			24	LY20186-001A
		2	LY20805-001A			25	LY20750-001A
		3	LY30023-015A			26	LY32430-001A
		4	LY43496-001A			27	QAM0342-002
		5	QPA02003506			28	-
			YQM30061-3			29	QPA01703005
		\triangle 6	LYT0939-002A			30	QAM0302-001
		\triangle	LYT0939-003A			\triangle 31	PEMC1012-02
		\triangle	LYT0939-004A			\triangle 35	LY20591-003D
		\triangle	LYT0939-005A			\triangle	LY20591-004B
		\triangle	LYT0939-006A			\triangle	LY20591-005C
		\triangle	LYT0939-007A			\triangle	LY20591-006C
		\triangle	LYT0939-008A			\triangle	LY20591-007B
		\triangle	LYT0939-009A			\triangle	LY20591-009B
		\triangle	LYT0939-010A			36	PEAC0428-150
		\triangle	LYT0940-001A			37	QQR0491-002
		\triangle	LYT0972-001A			38	QAM0322-001
		\triangle	LYT0972-002A			39	QQR0918-001
		\triangle	LYT0972-003A			40	QAM0347-001
		\triangle	LYT0972-004A			41	QQR0918-002
		\triangle	LYT0972-008A			42	QAM0004-004
		\triangle	LYT0972-009A			43	QQR0918-002
		7	LYT0884-004A			44	QAM0213-001
			LYT0884-005A			45	QQR0917-002
			LYT0884-006A			46	QAM0301-001
			LYT0939-015A				
			LYT0939-016A				
			LYT0939-017A				
			LYT0939-018A				
			LYT0939-019A				
			LYT0939-020A				
			LYT0939-021A				
			LYT0972-005A				
			LYT0972-006A				
			LYT0972-007A				
		\triangle 8	LYT0883-002A				
		\triangle	LYT0883-004A				
		\triangle	LYT0883-006A				
		\triangle	LYT0883-007A				
		\triangle	LYT0883-008A				
		\triangle	LYT0883-009A				
		\triangle	LYT0883-010A				
		\triangle	LYT0883-011A				
		\triangle	LYT0883-012A				
		\triangle	LYT1020-001A				
		\triangle	LYT1020-002A				
		\triangle	LYT1020-003A				
		9	LYT0609-001A				
		10	YU30878				
		11	BT-56002-2				
		12	BT-54008-2				
			BT-59012-1				
		13	LYT0889-009A				
		14	BT-54013-2				
			BT-56001-2				
			BT-59011-2				
		15	LYT0194-001B				
		16	LYT0867-001A				
		20	LY20677-002D				
		21	LY32210-037A				

MODEL	MARK
GR-DV3000EG-X	A
GR-DV3000EK	B
GR-DV3000A	C
GR-DV3000EA	D
GR-DV3000ED	E
GR-DV3000SH	F
GR-DV3000EG-Y	G

• INSTRUCTIONS

- GE GERMAN
- FR FRENCH
- DU DUTCH
- SP SPANISH
- IT ITALIAN
- DA DANISH
- FI FINNISH
- SW SWEDISH
- NO NORWEGIAN
- RU RUSSIAN
- EN ENGLISH
- CH CHINESE
- AR ARABIC

5.2 FINAL ASSEMBLY <M2>



△ REF No. PART No. PART NAME, DESCRIPTION

FINAL ASSEMBLY <M2>

△ 101	LY20657-002C	CASSETTE COVER ASSY
101A	LY31973-001A	JACK COVER
101B	LY30018-021A	SPECIAL SCREW,X2
101C	LY32045-001A	HINGE ASSY(CASSETTE)
101D	LY32045-002A	HINGE ASSY(CASSETTE)
101E	LY42786-001A	KNOB(LOCK)
101F	LY42787-001A	HOLDER(LOCK)
101G	LY30018-037A	SPECIAL SCREW,X2
102	LY42789-001B	BRACKET(GRIP BELT)
103	QYSLSF2040D	SCREW,X2
104	LY20658-002A	GRIP BELT
105	LY30018-0C7A	SPECIAL SCREW,X2
106	LY42788-001B	HOOK
107	QYSLSF2055D	SCREW,X2
108	LY20786-002A	POWER OPE.UNIT,A,B,C,D,F
	LY20786-002B	POWER OPE.UNIT,E,G
109	LY30018-0B7A	SPECIAL SCREW,X3
110	LY40301-001A	SPACER(SPEAKER)
111	QAS0063-001	SPEAKER
112	LY42918-001B	SPACER(SPEAKER)
113	LY31977-001A	HOLDER(SPEAKER)
114	LY30018-021A	SPECIAL SCREW,X3
115	LY30018-032A	SPECIAL SCREW
116	LY30018-038A	SPECIAL SCREW,X2
117	LY42790-001B	COVER(CASSETTE)
118	LY32039-001B	COVER(CASSETTE REAR)
121	LY31964-001G	ARM ASSY
121A	LY30002-046B	COMPRESSION SPRING,X2
121B	LY42814-001A	TENSION SPRING
122	LY42881-001C	SPACER(JACK)
123	QYSPSPT1720R	SCREW,X2
124	QYSPSPT1720R	SCREW
125	LY31984-001B	BASE
126	LY30018-006B	SPECIAL SCREW,X2
127	QAL0260-001	FPC,JACK CN301-MAIN CN111/DSC CN8402
128	LY30018-005A	SPECIAL SCREW,X2
129	LY30018-0B7A	SPECIAL SCREW
130	LY30018-0B7A	SPECIAL SCREW,X3
131	LY10266-001A	LOWER CASE
132	LY30018-062A	SPECIAL SCREW,X2
133	LY30018-006B	SPECIAL SCREW,X3
134	LY30018-044A	SPECIAL SCREW
135	LY30018-006B	SPECIAL SCREW
136	LY30018-006B	SPECIAL SCREW
137	LY30018-006B	SPECIAL SCREW
138	LY30018-006B	SPECIAL SCREW,X2
139	LY30018-017A	SPECIAL SCREW
140	LY43532-001A	SHIELD(LOWER)
141	LY32012-001B	SHIELD COVER(PR)
142	QYSPSPT1414M	SCREW,X5
143	LY32066-001A	BRACKET(MECHA)ASSY
143A	LY42796-001A	BUSH,X3
144	LY30019-028A	SPECIAL SCREW,X3
145	QYSPSPT1715Z	SCREW,X3
146	LY42424-001A	SPECIAL SCREW
147	LY40699-002A	LABEL(PUSH)
148	LY32001-002A	LABEL(HOUSING)
150	LY43547-001A	SHIELD(MAIN)
△ 151	LY20800-002C	UPPER CASE ASSY
151A	LY32414-001A	BRACKET(HINGE)
151B	LY30018-0A8A	SPECIAL SCREW,X3
151C	LY40162-001A	BRACKET,X2
151D	LY30029-083A	SPACER(A)
151E	LY40664-001A	SPACER,X2
152	LY32415-001A	KNOB(SLIDE)
153	LY30018-020A	SPECIAL SCREW,X4
154	LY30018-006B	SPECIAL SCREW,X2
155	LY30018-044A	SPECIAL SCREW,X4
156	LY30018-044A	SPECIAL SCREW
157	LY43593-001A	SPECIAL SCREW,X2
158	LY30018-006B	SPECIAL SCREW
159	LY41393-004A	COVER(JIG CONNECTOR)
160	LY30018-026A	SPECIAL SCREW
161	LY30018-0E5A	SPECIAL SCREW,X3

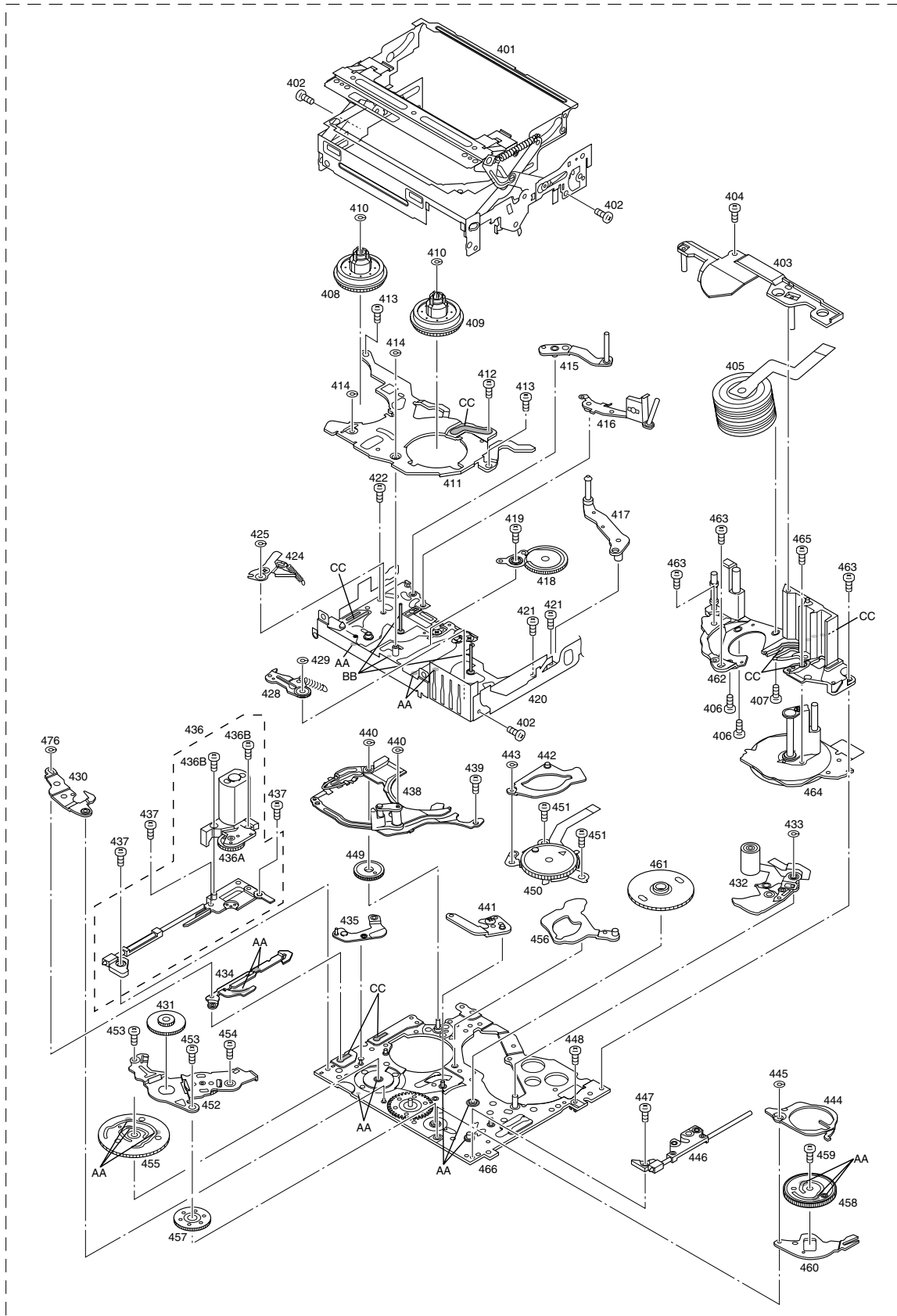
# △ REF No.	PART No.	PART NAME, DESCRIPTION
162	LY30018-055A	SPECIAL SCREW,X2
163	LY41836-001A	SPACER
164	LY30019-002A	SPECIAL SCREW
165	LY30029-0T5A	SPACER(A)
171	LY20801-002C	FRONT COVER ASSY
171A	LY32416-001A	RING(FRONT)
172	LY32418-001A	HOOD ASSY
173	LY20788-001A	FOCUS UNIT
174	LY32422-001A	COVER(OP)
175	LY30018-0A7A	SPECIAL SCREW,X3
176	LYH20349-001B	MICROPHONE
177	LY32003-002A	HOOD(ACC)
181	LY32471-001A	SW FPC ASSY
182	LY30018-063A	SPECIAL SCREW
183	LY32425-002A	COVER(MENU)
184	LY30018-063A	SPECIAL SCREW
185	LY30018-0A2A	SPECIAL SCREW,X2
186	LY30018-052A	SPECIAL SCREW,X3
187	LY30018-063A	SPECIAL SCREW
188	WJT0061-001B	E-CARD WIRE,EJECT CN2421-FRONT CN2413
189	LY30018-063A	SPECIAL SCREW,X2
190	LY30029-0S6A	SPACER(A)
191	LY31998-002A	HOT SHOE
192	QAL0393-001	FPC,HOT SHOE-MAIN CN103
193	LY32426-001A	BRACKET(HOT SHOE)
194	LY30018-081A	SPECIAL SCREW,X4
195	LY30018-081A	SPECIAL SCREW
196	LY30018-063A	SPECIAL SCREW,X2
197	QJA001-030408	SIN ID C-C WIRE,JUNC.CN1103-FE SW CN1181
198	LY30018-063A	SPECIAL SCREW
199	LY30018-044A	SPECIAL SCREW
200	LY30018-0E6A	SPECIAL SCREW
201	LY30018-006B	SPECIAL SCREW
202	LY43228-001A	SHEET(HOT SHOE)
203	LY30029-0J5A	SPACER(A)
204	LY30029-0U9A	SPACER(A)
211	LY30018-059A	SPECIAL SCREW
212	LY20787-002A	ZOOM OPE.UNIT
213	LY30018-006B	SPECIAL SCREW
214	LY32427-002A	TOP COVER ASSY
215	LY30018-006B	SPECIAL SCREW,X3
216	LY31986-002B	REAR COVER ASSY
216A	LY31988-001D	KNOB(BATTERY RELEASE)
216B	LY31989-001A	BRACKET(BATTERY RELEASE)
216C	LY42792-001A	SHEET(REAR)
216D	LY30002-048A	COMPRESSION SPRING
216E	LY30018-066A	SPECIAL SCREW,X2
217	LY31987-001A	BRACKET(TERM)
218	LY30018-019A	SPECIAL SCREW,X3
219	LY20660-001C	BATTERY TERMINAL UNIT
220	LY30018-038A	SPECIAL SCREW,X2
221	LY42978-001B	SPACER(REG PWB)
222	LY42889-001B	SHIELD(REG)
223	LY30018-060A	SPECIAL SCREW,X2
224	LY30018-0C2A	SPECIAL SCREW,X2
225	LY30018-0A3A	SPECIAL SCREW
226	LY30018-0A3A	SPECIAL SCREW
227	QQR0895-014	FERRITE CORE
228	LY30029-0T4A	SPACER(A)
229	LY30029-0T4A	SPACER(A)
231	LY32439-001A	BRACKET(OP)ASSY
231A	LY42796-001A	BUSH,X2
232	LY30019-029B	SPECIAL SCREW,X2
233	LY43511-001A	SHIELD(OP)
234	QQR1290-001	CORE FILTER
235	LY30029-0W4A	SPACER(A)

-OPTICAL BLOCK SECTION-

251	J1E-101A	OPTICAL BLOCK ASSY
251A	LY32390-001A	ZOOM MOTOR
251B	LY32391-001A	FOCUS MOTOR
251C	LY30727-002A	SCREW,X7
251D	LY43270-001A	OPTICAL LPF
251E	LY43281-001A	SPACER RUBBER
251F	LYH30375-001A	CCD BASE ASSY
251G	QYSPSGU1750Z	SCREW,X2
251H	LY32389-001A	IRIS MOTOR UNIT

5.3 MECHANISM ASSEMBLY <M3>

400



Classification	Part No.	Symbol in drawing
Grease	KYODO-SH-JB	AA
Oil	YTU94027	BB
Grease (HANARL)	RX-410R	CC

NOTE: The section marked in **AA** and **BB**, **CC** indicate lubrication and greasing areas.

▲ REF No. PART No. PART NAME, DESCRIPTION

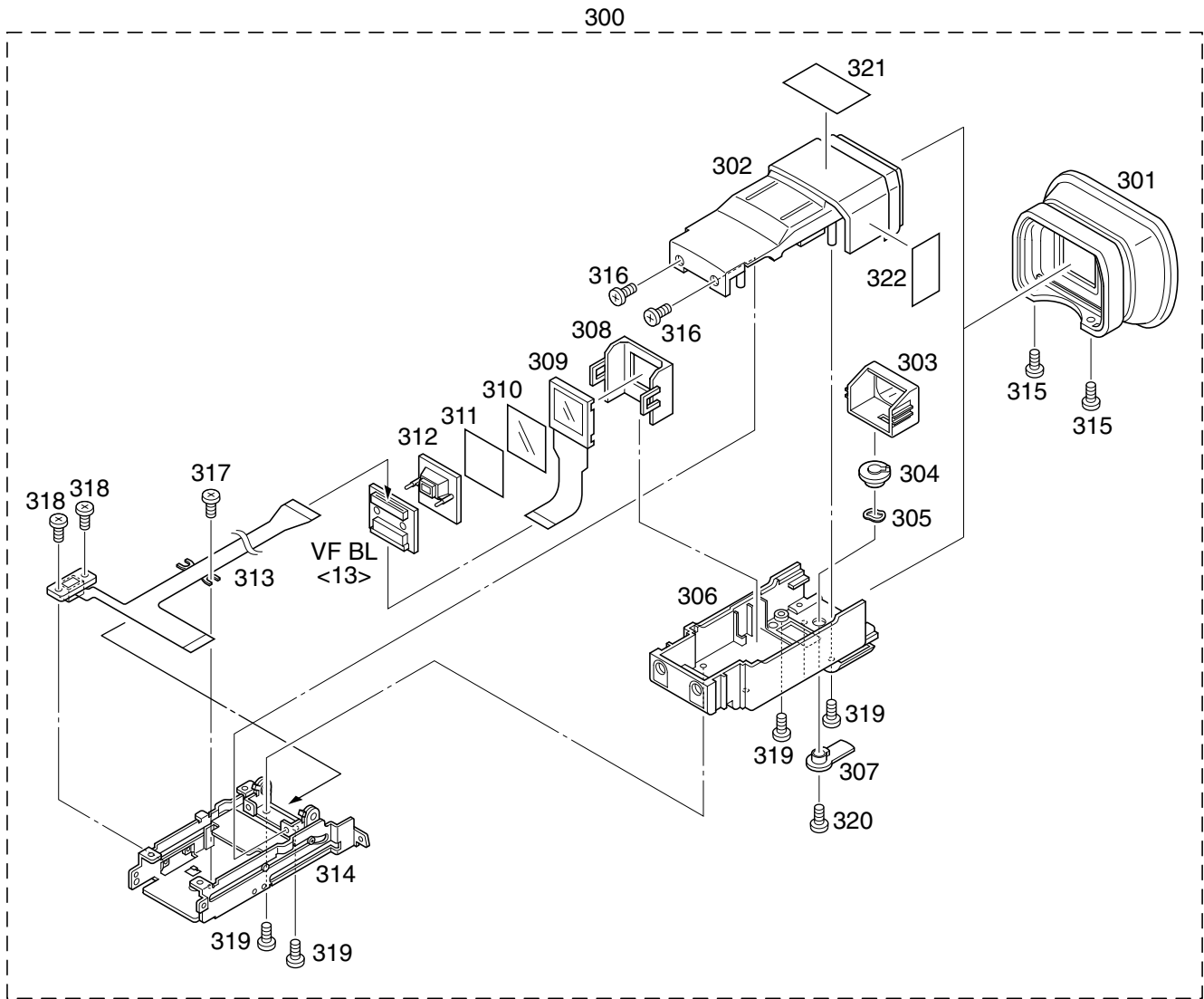
MECHANISM ASSEMBLY <M3>

400	YMA0029A	MECHA(A)ASSY
401	LY31543-003C	CASSETTE HOUSING ASSY
402	YQ43893-8	MINI SCREW,X3
403	LY31542-001J	UPPER BASE ASSY
404	YQ43893	MINI SCREW
405	YDV2096B	DRUM ASSY
406	LY42820-001A	DAMPER SCREW ASSY,X2
407	LY42820-002A	DAMPER SCREW ASSY
408	LY31538-001B	REEL DISK ASSY
409	LY31538-002B	REEL DISK ASSY
410	YQ44246	SLIT WASHER,X2
411	LY10217-001D	REEL COVER ASSY
412	LY42120-001A	MINI SCREW
413	LY41945-003A	MINI SCREW,X2
414	YQ44246	SLIT WASHER,X2
415	LY42025-001C	TENSION ARM ASSY
416	LY31535-001F	SLANT POLE ARM ASSY
417	LY42031-001G	TAKE UP ARM ASSY
418	LY31531-001D	SWING ARM ASSY
419	YQ43893	MINI SCREW
420	LY20530-001G	SLIDE DECK FINAL ASSY
421	YQ43893	MINI SCREW,X2
422	LY43023-001A	MINI SCREW
424	LY31533-001E	PAD ARM ASSY
425	YQ44246	SLIT WASHER
428	LY42016-001B	TAKE UP BRAKE ASSY
429	YQ44246	SLIT WASHER
430	LY41959-001B	TENSION CONTROL LEVER ASSY
431	LY31525-001B	CENTER GEAR
432	LY31516-001E	PINCH ROLLER ARM FINAL ASSY
433	YQ44246	SLIT WASHER
434	LY41956-001C	TENSION CONTROL PLATE ASSY
435	LY41962-001B	BRAKE CONTROL LEVER ASSY
436	LY20525-001G	MOTOR BRACKET ASSY
436A	QAR0138-001	LOADING MOTOR
436B	LY41940-001A	TAPPING SCREW,X2
437	YQ43893	MINI SCREW,X3
438	LY20528-001Q	GUIDE RAIL ASSY
439	YQ43893	MINI SCREW
440	YQ44246	SLIT WASHER,X2
441	LY31498-002B	SLIDE LEVER2 ASSY
442	LY41965-001A	LOADING PLATE ASSY
443	YQ44246	SLIT WASHER
444	LY31522-001B	EJECT LEVER
445	YQ44246	SLIT WASHER
446	LY41929-001E	BASE R ASSY
447	YQ43893	MINI SCREW
448	LY41945-001B	MINI SCREW
449	LY41930-001A	MODE GEAR
450	QSW0876-001	ROTARY ENCODER
451	YQ43893	MINI SCREW,X2
452	LY31524-001A	GEAR COVER ASSY
453	YQ43893	MINI SCREW,X2
454	YQ43893-4	MINI SCREW
455	LY41948-001C	MAIN CAM ASSY
456	LY41941-001B	SLIDE ARM ASSY
457	LY41951-001B	CONNECT GEAR 2

▲ REF No. PART No. PART NAME, DESCRIPTION

458	LY41954-001B	SUB CAM ASSY
459	LY42120-001A	MINI SCREW
460	LY41952-001A	CONTROL ARM ASSY
461	LY31523-001B	REEL GEAR 1
462	LY31508-001E	DRUM BASE ASSY
463	QYSPSPU1425M	SCREW,X3
464	QAR0142-001	CAPSTAN MOTOR
465	YQ43893	MINI SCREW
466	LY10210-001C	MAIN DECK ASSY
476	YQ44246	SLIT WASHER

5.4 ELECTRONIC VIEWFINDER ASSEMBLY <M4>



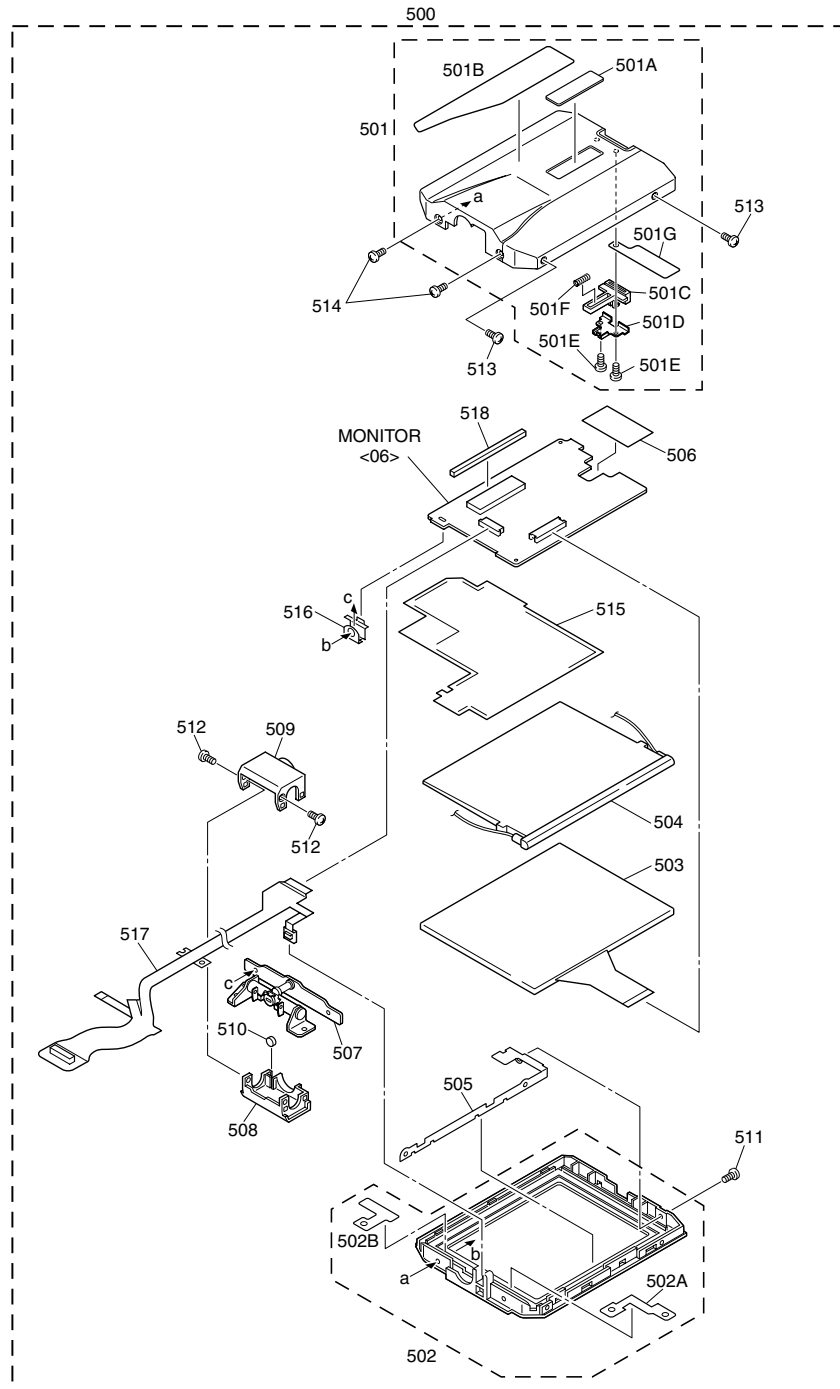
▲ REF No. PART No. PART NAME, DESCRIPTION

ELECTRONIC VIEWFINDER ASSEMBLY <M4>

300	LYH20347-002B	VF ASSY
301	LY32458-001A	EYE CUP
302	LY10338-001A	UPPER CASE(VF)
303	LY43325-001A	HOLD(LENS)ASSY
304	LY43342-001A	LINK(LENS)
305	LY43334-001A	WAVE WASHER
306	LY32461-001A	BOTTOM CASE(VF)ASSY
307	LY43324-001A	LEVER(LENS)
308	LY32455-001A	HOLDER(LCD)
309	QLD0117-002	LCD MODULE
310	LY43328-001A	SHEET(PRISM)

# ▲ REF No.	PART No.	PART NAME, DESCRIPTION
311	LY43327-001A	SHEET(DIFFUSE)
312	LY43343-001A	HOLDER(PWB)
313	LY32070-002A	VF FPC ASSY
314	LY32454-001C	HOLDER(VF)ASSY
315	LY30019-041A	SPECIAL SCREW,X2
316	LY30018-067B	SPECIAL SCREW,X2
317	LY30018-031A	SPECIAL SCREW
318	LY30018-031A	SPECIAL SCREW,X2
319	LY30018-084A	SPECIAL SCREW,X4
320	LY30018-063A	SPECIAL SCREW
321	LY41701-004A	SHEET(CAUTION)1
322	LY43041-001A	LABEL(VF)

5.5 MONITOR ASSEMBLY <M5>



△ REF No. PART No. PART NAME, DESCRIPTION

MONITOR ASSEMBLY <M5>

△	500	LYH20330-003A	MONITOR ASSY
△	501	LY32435-002C	MONITOR COVER ASSY
	501A	LY42883-002A	MARK
	501B	LY43617-001A	STICKER
	501C	LY32014-001A	KNOB(LOCK)
	501D	LY42799-001A	BRACKET(LOCK)
	501E	LY30018-019A	SPECIAL SCREW,X2
	501F	LY30002-047A	COMPRESSION SPRING
	501G	LY42800-001A	SHEET(LOCK)
	502	LY32436-001A	MONITOR CASE ASSY
	502A	LY42801-001B	SHEET(EARTH1)
	502B	LY42971-001B	SHEET(EARTH3)

△ REF No. PART No. PART NAME, DESCRIPTION

	503	QLD0115-003	LCD MODULE
	504	QLL0091-001	BACK LIGHT
	505	LY32016-001A	BRACKET(MONITOR CASE)
	506	LY30029-0C4A	SPACER(A)
	507	LY32017-001C	HINGE ASSY
	508	LY32018-001A	HINGE COVER(U)
	509	LY32019-001A	HINGE COVER(L)
	510	LY42355-001A	MAGNET
	511	LY30018-053A	SPECIAL SCREW
	512	LY30018-0A2A	SPECIAL SCREW,X2
	513	LY30018-053A	SPECIAL SCREW,X2
	514	LY30018-028A	SPECIAL SCREW,X2
	515	LY42843-001C	MONITOR SHIELD PLATE
	516	LY41726-001A	PLATE(EARTH)
	517	LY20681-001A	FPC ASSY(LCD)
	518	LY30029-0S7A	SPACER(A)

5.6 ELECTRICAL PARTS LIST

#	△ REF No.	PART No.	PART NAME, DESCRIPTION

MAIN BOARD ASSEMBLY <01>			
PW		YB10366C	MAIN BOARD ASSY,A
		YB10366C-01	MAIN BOARD ASSY,B,C,D,E,F,G
IC1001		UPD703039F1-A20	IC(MICRO C ROM)
		or UPD70F3040F1A20	IC(MICRO C ROM)
IC1002		RS5C314	IC
IC1003		X25330S8I-2.5-X	IC
		or 25LC640-I/SN-X	IC
		or AT25320N-10SI-X	IC
		or CAT25C32SI	IC
IC1006		MB90097PFV145	IC(MICRO C ROM)
IC1007		HD74LV1G08ACM	IC
IC1401		UPD703040YF-M03	IC(MICRO C ROM)
		or UPD70F3040YFM03	IC(MICRO C ROM)
IC2101		AK4550VT	IC
IC2151		AK4550VT	IC
IC2201		LA74202W	IC
IC2301		BA4510FV	IC
IC3001		JCY0176	IC
IC3002		BU2501FV	IC
IC3004		SN74AHC1G04K	IC
IC3007		JCY0174	IC
IC3701		BA7665FS	IC
IC3731		MM1504XN	IC
IC3801		JCP8045	IC(DIGITAL)
IC4201		HD49334HF	IC
IC4202		RH5RZ31CA	IC
IC4301		JCY0160-2	IC
IC4302		R1160N151B	IC
IC4303		MM1385NN	IC
		or TAR5S25	IC
IC4802		TA75W01FU	IC
IC4803		TA75W01FU	IC
IC4804		LM358DR2	IC
IC4851		UPD16879GS	IC
IC5001		CXD3602R	IC
IC5002		W194-70G-X	IC
IC5003		MM1385EN	IC
		or TAR5S33	IC
IC6001		S-80842ANNP-W	IC
IC6003		S-814A30AMC-W	IC
IC6004		S-80826ANNP-W	IC
Q1001		DTC124EE	DIGI TRANSISTOR
		or UN9212J	DIGI TRANSISTOR
Q1002		2SC4617/QR/-X	TRANSISTOR
		or 2SD2216J/QR/-X	TRANSISTOR
Q1003		DTC143EE	DIGI TRANSISTOR
		or UN921LJ	DIGI TRANSISTOR
Q1004		DTC143XE	DIGI TRANSISTOR
Q1401		DTA114EE	DIGI TRANSISTOR
		or PDTA114EE	DIGI TRANSISTOR
		or RN2102	DIGI TRANSISTOR
		or UN9111J	DIGI TRANSISTOR
Q1402		UMC3N	DIGI TRANSISTOR
Q1403		UMC3N	DIGI TRANSISTOR
Q2001		EMX1	TRANSISTOR,B,C,D,E,F,G
Q2002		EMX1	TRANSISTOR,B,C,D,E,F,G
Q2003		EMX1	TRANSISTOR,B,C,D,E,F,G
Q2004		EMX1	TRANSISTOR,B,C,D,E,F,G
Q2302		2SC4617/QR/-X	TRANSISTOR

#	△ REF No.	PART No.	PART NAME, DESCRIPTION
		or 2SD2216J/QR/-X	TRANSISTOR
Q2303		UMX18N	PAIR TRANSISTOR
Q2401		2SC4617/QR/-X	TRANSISTOR
		or 2SD2216J/QR/-X	TRANSISTOR
Q2402		2SA1774/QR/-X	TRANSISTOR
Q2403		DTC144EE	DIGI TRANSISTOR
		or UN9213J	DIGI TRANSISTOR
Q2601		2SC4617/QR/-X	TRANSISTOR
		or 2SD2216J/QR/-X	TRANSISTOR
Q2602		2SC4617/QR/-X	TRANSISTOR
		or 2SD2216J/QR/-X	TRANSISTOR
Q2603		2SC4617/QR/-X	TRANSISTOR
		or 2SD2216J/QR/-X	TRANSISTOR
Q2604		2SC4617/QR/-X	TRANSISTOR
		or 2SD2216J/QR/-X	TRANSISTOR
Q2701		UMX1N	PAIR TRANSISTOR
		or XP4501	TRANSISTOR
Q2702		UMX18N	PAIR TRANSISTOR
Q2703		2SC4617/QR/-X	TRANSISTOR
		or 2SD2216J/QR/-X	TRANSISTOR
Q2901		2SB1121/TU/-X	TRANSISTOR
		or 2SB1121/ST/-X	TRANSISTOR
Q2902		DTC144EE	DIGI TRANSISTOR
		or RN1104	DIGI TRANSISTOR
		or UN9213J	DIGI TRANSISTOR
Q3701		UMT1N	PAIR TRANSISTOR
		or XP4401	TRANSISTOR
Q3702		UMZ1N	PAIR TRANSISTOR
		or XP4601	TRANSISTOR
Q3703		2SA1774/RS/-X	TRANSISTOR
Q3705		UMT1N	PAIR TRANSISTOR
		or XP4401	TRANSISTOR
Q3731		2SC4617/RS/-X	TRANSISTOR
		or 2SD2216J/RS/-X	TRANSISTOR
Q3732		DTC144EE	DIGI TRANSISTOR
		or UN9213J	DIGI TRANSISTOR
Q3733		UMZ1N	PAIR TRANSISTOR
		or XP4601	TRANSISTOR
Q3734		2SC4617/RS/-X	TRANSISTOR
		or 2SD2216J/RS/-X	TRANSISTOR
Q3735		UMZ1N	PAIR TRANSISTOR
		or XP4601	TRANSISTOR
Q4801		2SC4655/BC/-X	TRANSISTOR
Q4802		2SC4617/RS/-X	TRANSISTOR
		or 2SD2216J/RS/-X	TRANSISTOR
Q4803		DTC144EE	DIGI TRANSISTOR
		or PDTC144EE	DIGI TRANSISTOR
		or RN1104	DIGI TRANSISTOR
		or UN9213J	DIGI TRANSISTOR
Q4804		DTA144EE	DIGI TRANSISTOR
		or PDTA144EE	DIGI TRANSISTOR
		or RN2104	DIGI TRANSISTOR
		or UN9113J	DIGI TRANSISTOR
Q4805		DTA143EE	DIGI TRANSISTOR
		or RN2101	DIGI TRANSISTOR
		or UN911LJ	DIGI TRANSISTOR
Q4806		2SC4617/RS/-X	TRANSISTOR
		or 2SD2216J/RS/-X	TRANSISTOR
Q4851		2SC4617/RS/-X	TRANSISTOR
		or 2SD2216J/RS/-X	TRANSISTOR
Q6001		CPH3304	MOS FET
Q6002		2SK3019	MOS FET
		or 2SK1830	MOS FET

#	△ REF No.	PART No.	PART NAME, DESCRIPTION	#	△ REF No.	PART No.	PART NAME, DESCRIPTION	
	Q6003	2SJ347	MOS FET	R1080	NRSA6AJ-102W	MG RESISTOR	1kΩ, 1/16W	
	Q6004	2SK3019	MOS FET	R1081	NRSA6AJ-0R0W	MG RESISTOR	0Ω, 1/16W	
		or 2SK1830	MOS FET	R1083	NRSA6AJ-0R0W	MG RESISTOR	0Ω, 1/16W	
	Q6005	DTC144EE	DIGI TRANSISTOR	R1401	NRSA6AJ-105W	MG RESISTOR	1MΩ, 1/16W	
		or RN1104	DIGI TRANSISTOR	R1402	NRSA6AJ-0R0W	MG RESISTOR	0Ω, 1/16W	
		or UN9213J	DIGI TRANSISTOR	R1403	NRSA6AJ-103W	MG RESISTOR	10kΩ, 1/16W	
	D1001	DA221	DIODE	R1404	NRSA6AJ-472W	MG RESISTOR	4.7kΩ, 1/16W	
	D1002	1SS376	DIODE	R1405	NRSA6AJ-332W	MG RESISTOR	3.3kΩ, 1/16W	
	D2002	EMZ6.8N	ZENER DIODE,A	R1406	NRSA6AJ-332W	MG RESISTOR	3.3kΩ, 1/16W	
	D2003	EMZ6.8N	ZENER DIODE,A	R1407	NRSA6AJ-332W	MG RESISTOR	3.3kΩ, 1/16W	
	D2004	EMZ6.8N	ZENER DIODE,A	R1408	NRSA6AD-753W	MG RESISTOR	75kΩ, 1/16W	
	D2005	RSA6.1J4	DIODE,B,C,D,E,F	R1409	NRSA6AJ-334W	MG RESISTOR	330kΩ, 1/16W	
	D2701	DAN222	DIODE	R1411	NRSA6AJ-332W	MG RESISTOR	3.3kΩ, 1/16W	
	D2702	DAN222	DIODE	R1412	NRSA6AJ-332W	MG RESISTOR	3.3kΩ, 1/16W	
	D2901	UMZ6.8EN	ZENER DIODE	R1413	NRSA6AJ-332W	MG RESISTOR	3.3kΩ, 1/16W	
	D2903	EMZ6.8N	ZENER DIODE	R1414	NRSA6AJ-332W	MG RESISTOR	3.3kΩ, 1/16W	
	D3001	EC2C01C	VARI CAP DIODE	R1415	NRSA6AJ-472W	MG RESISTOR	4.7kΩ, 1/16W	
	D3002	EC2C01C	VARI CAP DIODE	R1416	NRSA6AJ-472W	MG RESISTOR	4.7kΩ, 1/16W	
	D3003	EC2C01C	VARI CAP DIODE	R1417	NRSA6AJ-101W	MG RESISTOR	100Ω, 1/16W	
	D3004	MA2Z720	SB DIODE	R1425	NRSA6AJ-473W	MG RESISTOR	47kΩ, 1/16W	
	D5001	1SS355	DIODE	R2001	NRSA6AJ-0R0W	MG RESISTOR	0Ω, 1/16W	
△	D6002	RB715F	SB DIODE	R2002	NRSA6AJ-103W	MG RESISTOR	10kΩ, 1/16W	
	R1001	NRSA6AJ-104W	MG RESISTOR	100kΩ, 1/16W	R2003	NRSA6AJ-103W	MG RESISTOR	10kΩ, 1/16W
	R1002	NRSA6AJ-224W	MG RESISTOR	220kΩ, 1/16W	R2004	NRSA6AJ-102W	MG RESISTOR	1kΩ, 1/16W
	R1003	NRSA6AJ-472W	MG RESISTOR	4.7kΩ, 1/16W	R2008	NRSA6AJ-103W	MG RESISTOR	10kΩ, 1/16W
	R1004	NRSA6AJ-103W	MG RESISTOR	10kΩ, 1/16W	R2009	NRSA6AJ-103W	MG RESISTOR	10kΩ, 1/16W
	R1005	NRSA6AJ-153W	MG RESISTOR	15kΩ, 1/16W	R2010	NRSA6AJ-103W	MG RESISTOR	10kΩ, 1/16W
	R1006	NRSA6AJ-103W	MG RESISTOR	10kΩ, 1/16W	R2012	NRSA6AJ-0R0W	MG RESISTOR	0Ω, 1/16W
	R1007	NRSA6AJ-334W	MG RESISTOR	330kΩ, 1/16W	R2013	NRSA6AJ-0R0W	MG RESISTOR	0Ω, 1/16W
	R1008	NRSA6AJ-102W	MG RESISTOR	1kΩ, 1/16W	R2014	NRSA6AJ-103W	MG RESISTOR	10kΩ, 1/16W
	R1015	NRSA6AJ-474W	MG RESISTOR	470kΩ, 1/16W	R2015	NRSA6AJ-103W	MG RESISTOR	10kΩ, 1/16W
	R1018	NRSA6AJ-103W	MG RESISTOR	10kΩ, 1/16W	R2101	NRSA6AJ-471W	MG RESISTOR	470Ω, 1/16W
	R1020	NRSA6AJ-331W	MG RESISTOR	330Ω, 1/16W	R2102	NRSA6AJ-471W	MG RESISTOR	470Ω, 1/16W
	R1021	NRSA6AJ-331W	MG RESISTOR	330Ω, 1/16W	R2103	NRSA6AJ-0R0W	MG RESISTOR	0Ω, 1/16W
	R1022	NRSA6AJ-331W	MG RESISTOR	330Ω, 1/16W	R2104	NRSA6AJ-0R0W	MG RESISTOR	0Ω, 1/16W
	R1025	NRSA6AJ-104W	MG RESISTOR	100kΩ, 1/16W	R2105	NRSA6AJ-0R0W	MG RESISTOR	0Ω, 1/16W
	R1026	NRSA6AJ-472W	MG RESISTOR	4.7kΩ, 1/16W	R2151	NRSA6AJ-471W	MG RESISTOR	470Ω, 1/16W
	R1029	NRSA6AJ-473W	MG RESISTOR	47kΩ, 1/16W	R2153	NRSA6AJ-0R0W	MG RESISTOR	0Ω, 1/16W
	R1030	NRSA6AJ-104W	MG RESISTOR	100kΩ, 1/16W	R2154	NRSA6AJ-0R0W	MG RESISTOR	0Ω, 1/16W
	R1035	NRSA6AJ-473W	MG RESISTOR	47kΩ, 1/16W	R2157	NRSA6AJ-0R0W	MG RESISTOR	0Ω, 1/16W
	R1037	NRSA6AJ-103W	MG RESISTOR	10kΩ, 1/16W	R2201	NRSA6AJ-103W	MG RESISTOR	10kΩ, 1/16W
	R1039	NRSA6AJ-103W	MG RESISTOR	10kΩ, 1/16W	R2202	NRSA6AJ-103W	MG RESISTOR	10kΩ, 1/16W
	R1044	NRSA6AJ-123W	MG RESISTOR	12kΩ, 1/16W	R2203	NRSA6AJ-473W	MG RESISTOR	47kΩ, 1/16W
	R1045	NRSA6AJ-822W	MG RESISTOR	8.2kΩ, 1/16W	R2204	NRSA6AJ-473W	MG RESISTOR	47kΩ, 1/16W
	R1046	NRSA6AJ-103W	MG RESISTOR	10kΩ, 1/16W	R2206	NRSA6AJ-472W	MG RESISTOR	4.7kΩ, 1/16W
	R1047	NRSA6AJ-473W	MG RESISTOR	47kΩ, 1/16W	R2209	NRSA6AJ-2R7W	MG RESISTOR	2.7Ω, 1/16W
	R1048	NRSA6AJ-104W	MG RESISTOR	100kΩ, 1/16W	R2210	NRSA6AJ-2R7W	MG RESISTOR	2.7Ω, 1/16W
	R1049	NRSA6AJ-393W	MG RESISTOR	39kΩ, 1/16W	R2212	NRSA6AJ-472W	MG RESISTOR	4.7kΩ, 1/16W
	R1050	NRSA6AJ-223W	MG RESISTOR	22kΩ, 1/16W	R2213	NRSA6AJ-823W	MG RESISTOR	82kΩ, 1/16W
	R1051	NRSA6AJ-272W	MG RESISTOR	2.7kΩ, 1/16W	R2214	NRSA6AJ-104W	MG RESISTOR	100kΩ, 1/16W
	R1052	NRSA6AJ-183W	MG RESISTOR	18kΩ, 1/16W	R2215	NRSA6AJ-103W	MG RESISTOR	10kΩ, 1/16W
	R1053	NRSA6AJ-154W	MG RESISTOR	150kΩ, 1/16W	R2217	NRSA6AJ-681W	MG RESISTOR	680Ω, 1/16W
	R1054	NRSA6AJ-473W	MG RESISTOR	47kΩ, 1/16W	R2218	NRSA6AJ-103W	MG RESISTOR	10kΩ, 1/16W
	R1055	NRSA6AJ-103W	MG RESISTOR	10kΩ, 1/16W	R2219	NRSA6AJ-102W	MG RESISTOR	1kΩ, 1/16W
	R1056	NRSA6AJ-472W	MG RESISTOR	4.7kΩ, 1/16W	R2220	NRSA6AJ-102W	MG RESISTOR	1kΩ, 1/16W
	R1058	NRSA6AJ-222W	MG RESISTOR	2.2kΩ, 1/16W	R2221	NRSA6AJ-0R0W	MG RESISTOR	0Ω, 1/16W
	R1060	NRSA6AJ-473W	MG RESISTOR	47kΩ, 1/16W	R2223	NRSA6AJ-0R0W	MG RESISTOR	0Ω, 1/16W
	R1066	NRSA6AJ-473W	MG RESISTOR	47kΩ, 1/16W	R2224	NRSA6AJ-0R0W	MG RESISTOR	0Ω, 1/16W
	R1071	NRSA6AJ-474W	MG RESISTOR	470kΩ, 1/16W	R2225	NRSA6AJ-0R0W	MG RESISTOR	0Ω, 1/16W
	R1076	NRSA6AJ-0R0W	MG RESISTOR	0Ω, 1/16W	R2226	NRSA6AJ-0R0W	MG RESISTOR	0Ω, 1/16W
	R1077	NRSA6AJ-0R0W	MG RESISTOR	0Ω, 1/16W	R2301	NRSA6AJ-560W	MG RESISTOR	56Ω, 1/16W
	R1078	NRSA6AJ-102W	MG RESISTOR	1kΩ, 1/16W	R2302	NRSA6AJ-560W	MG RESISTOR	56Ω, 1/16W
	R1079	NRSA6AJ-102W	MG RESISTOR	1kΩ, 1/16W	R2305	NRSA6AJ-183W	MG RESISTOR	18kΩ, 1/16W

#	△ REF No.	PART No.	PART NAME, DESCRIPTION	#	△ REF No.	PART No.	PART NAME, DESCRIPTION
R2306		NRSA6AJ-183W	MG RESISTOR 18kΩ,1/16W	R2711		NRSA6AJ-103W	MG RESISTOR 10kΩ,1/16W
R2307		NRSA6AJ-183W	MG RESISTOR 18kΩ,1/16W	R2712		NRSA6AJ-103W	MG RESISTOR 10kΩ,1/16W
R2308		NRSA6AJ-183W	MG RESISTOR 18kΩ,1/16W	R2716		NRSA6AJ-332W	MG RESISTOR 3.3kΩ,1/16W
R2309		NRSA6AJ-184W	MG RESISTOR 180kΩ,1/16W	R2717		NRSA6AJ-222W	MG RESISTOR 2.2kΩ,1/16W
R2310		NRSA6AJ-184W	MG RESISTOR 180kΩ,1/16W	R2901		NRSA6AJ-472W	MG RESISTOR 4.7kΩ,1/16W
R2311		NRSA6AJ-473W	MG RESISTOR 47kΩ,1/16W	R2902		NRSA6AJ-105W	MG RESISTOR 1MΩ,1/16W
R2312		NRSA6AJ-473W	MG RESISTOR 47kΩ,1/16W	R2903		NRSA6AJ-105W	MG RESISTOR 1MΩ,1/16W
R2313		NRSA6AJ-473W	MG RESISTOR 47kΩ,1/16W	R2905		NRSA6AJ-102W	MG RESISTOR 1kΩ,1/16W
R2314		NRSA6AJ-473W	MG RESISTOR 47kΩ,1/16W	R2906		NRSA6AJ-103W	MG RESISTOR 10kΩ,1/16W
R2315		NRSA6AJ-0R0W	MG RESISTOR 0Ω,1/16W	R2907		NRSA6AJ-0R0W	MG RESISTOR 0Ω,1/16W
R2316		NRSA6AJ-0R0W	MG RESISTOR 0Ω,1/16W	R2908		NRSA6AJ-103W	MG RESISTOR 10kΩ,1/16W
R2319		NRSA6AJ-0R0W	MG RESISTOR 0Ω,1/16W	R3002		NRSA6AJ-103W	MG RESISTOR 10kΩ,1/16W
R2320		NRSA6AJ-0R0W	MG RESISTOR 0Ω,1/16W	R3003		NRSA6AJ-105W	MG RESISTOR 1MΩ,1/16W
R2325		NRSA6AJ-104W	MG RESISTOR 100kΩ,1/16W	R3004		NRSA6AJ-103W	MG RESISTOR 10kΩ,1/16W
R2326		NRSA6AJ-104W	MG RESISTOR 100kΩ,1/16W	R3005		NRSA6AJ-100W	MG RESISTOR 10Ω,1/16W
R2327		NRSA6AJ-102W	MG RESISTOR 1kΩ,1/16W	R3006		NRSA6AJ-100W	MG RESISTOR 10Ω,1/16W
R2328		NRSA6AJ-473W	MG RESISTOR 47kΩ,1/16W	R3007		NRSA6AJ-562W	MG RESISTOR 5.6kΩ,1/16W
R2329		NRSA6AJ-103W	MG RESISTOR 10kΩ,1/16W	R3008		NRSA6AJ-222W	MG RESISTOR 2.2kΩ,1/16W
R2330		NRSA6AJ-103W	MG RESISTOR 10kΩ,1/16W	R3009		NRSA6AJ-103W	MG RESISTOR 10kΩ,1/16W
R2331		NRSA6AJ-564W	MG RESISTOR 560kΩ,1/16W	R3010		NRSA6AJ-103W	MG RESISTOR 10kΩ,1/16W
R2332		NRSA6AJ-564W	MG RESISTOR 560kΩ,1/16W	R3011		NRSA6AJ-224W	MG RESISTOR 220kΩ,1/16W
R2333		NRSA6AJ-332W	MG RESISTOR 3.3kΩ,1/16W	R3013		NRSA6AJ-242W	MG RESISTOR 2.4kΩ,1/16W
R2402		NRSA6AJ-473W	MG RESISTOR 47kΩ,1/16W	R3014		NRSA6AJ-392W	MG RESISTOR 3.9kΩ,1/16W
R2403		NRSA6AJ-332W	MG RESISTOR 3.3kΩ,1/16W	R3015		NRSA6AJ-392W	MG RESISTOR 3.9kΩ,1/16W
R2404		NRSA6AJ-822W	MG RESISTOR 8.2kΩ,1/16W	R3016		NRVA6AD-560W	CMF RESISTOR 56Ω,1/16W
R2406		NRSA6AJ-473W	MG RESISTOR 47kΩ,1/16W	R3017		NRVA6AD-560W	CMF RESISTOR 56Ω,1/16W
R2414		NRSA6AJ-560W	MG RESISTOR 56Ω,1/16W	R3018		NRVA6AD-560W	CMF RESISTOR 56Ω,1/16W
R2415		NRSA6AJ-560W	MG RESISTOR 56Ω,1/16W	R3019		NRVA6AD-560W	CMF RESISTOR 56Ω,1/16W
R2601		NRSA6AJ-182W	MG RESISTOR 1.8kΩ,1/16W	R3020		NRVA6AD-512W	CMF RESISTOR 5.1kΩ,1/16W
R2602		NRSA6AJ-182W	MG RESISTOR 1.8kΩ,1/16W	R3021		NRSA6AJ-0R0W	MG RESISTOR 0Ω,1/16W
R2603		NRSA6AJ-472W	MG RESISTOR 4.7kΩ,1/16W	R3022		NRSA6AJ-0R0W	MG RESISTOR 0Ω,1/16W
R2604		NRSA6AJ-472W	MG RESISTOR 4.7kΩ,1/16W	R3023		NRSA6AJ-0R0W	MG RESISTOR 0Ω,1/16W
R2605		NRSA6AJ-682W	MG RESISTOR 6.8kΩ,1/16W	R3024		NRSA6AJ-0R0W	MG RESISTOR 0Ω,1/16W
R2606		NRSA6AJ-682W	MG RESISTOR 6.8kΩ,1/16W	R3027		NRSA6AJ-103W	MG RESISTOR 10kΩ,1/16W
R2609		NRSA6AJ-472W	MG RESISTOR 4.7kΩ,1/16W	R3029		NRSA6AJ-822W	MG RESISTOR 8.2kΩ,1/16W
R2610		NRSA6AJ-472W	MG RESISTOR 4.7kΩ,1/16W	R3030		NRSA6AJ-224W	MG RESISTOR 220kΩ,1/16W
R2611		NRSA6AJ-472W	MG RESISTOR 4.7kΩ,1/16W	R3031		NRSA6AJ-224W	MG RESISTOR 220kΩ,1/16W
R2612		NRSA6AJ-472W	MG RESISTOR 4.7kΩ,1/16W	R3032		NRSA6AJ-105W	MG RESISTOR 1MΩ,1/16W
R2613		NRSA6AJ-332W	MG RESISTOR 3.3kΩ,1/16W	R3033		NRSA6AJ-0R0W	MG RESISTOR 0Ω,1/16W
R2614		NRSA6AJ-332W	MG RESISTOR 3.3kΩ,1/16W	R3034		NRSA6AJ-222W	MG RESISTOR 2.2kΩ,1/16W
R2615		NRSA6AJ-123W	MG RESISTOR 12kΩ,1/16W	R3036		NRSA6AJ-562W	MG RESISTOR 5.6kΩ,1/16W
R2616		NRSA6AJ-123W	MG RESISTOR 12kΩ,1/16W	R3037		NRSA6AJ-561W	MG RESISTOR 560Ω,1/16W
R2617		NRSA6AJ-333W	MG RESISTOR 33kΩ,1/16W	R3040		NRSA6AJ-222W	MG RESISTOR 2.2kΩ,1/16W
R2618		NRSA6AJ-333W	MG RESISTOR 33kΩ,1/16W	R3041		NRSA6AJ-561W	MG RESISTOR 560Ω,1/16W
R2619		NRSA6AJ-153W	MG RESISTOR 15kΩ,1/16W	R3042		NRSA6AJ-561W	MG RESISTOR 560Ω,1/16W
R2620		NRSA6AJ-153W	MG RESISTOR 15kΩ,1/16W	R3043		NRSA6AJ-152W	MG RESISTOR 1.5kΩ,1/16W
R2621		NRSA6AJ-153W	MG RESISTOR 15kΩ,1/16W	R3044		NRSA6AJ-272W	MG RESISTOR 2.7kΩ,1/16W
R2622		NRSA6AJ-153W	MG RESISTOR 15kΩ,1/16W	R3045		NRSA6AJ-123W	MG RESISTOR 12kΩ,1/16W
R2625		NRSA6AJ-103W	MG RESISTOR 10kΩ,1/16W	R3046		NRSA6AJ-823W	MG RESISTOR 82kΩ,1/16W
R2626		NRSA6AJ-103W	MG RESISTOR 10kΩ,1/16W	R3047		NRSA6AJ-105W	MG RESISTOR 1MΩ,1/16W
R2627		NRSA6AJ-102W	MG RESISTOR 1kΩ,1/16W	R3048		NRSA6AJ-221W	MG RESISTOR 220Ω,1/16W
R2628		NRSA6AJ-102W	MG RESISTOR 1kΩ,1/16W	R3049		NRSA6AJ-221W	MG RESISTOR 220Ω,1/16W
R2629		NRSA6AJ-332W	MG RESISTOR 3.3kΩ,1/16W	R3052		NRSA6AJ-103W	MG RESISTOR 10kΩ,1/16W
R2701		NRSA6AJ-821W	MG RESISTOR 820Ω,1/16W	R3053		NRSA6AJ-103W	MG RESISTOR 10kΩ,1/16W
R2702		NRSA6AJ-821W	MG RESISTOR 820Ω,1/16W	R3054		NRSA6AJ-103W	MG RESISTOR 10kΩ,1/16W
R2703		NRSA6AJ-564W	MG RESISTOR 560kΩ,1/16W	R3055		NRSA6AJ-103W	MG RESISTOR 10kΩ,1/16W
R2704		NRSA6AJ-564W	MG RESISTOR 560kΩ,1/16W	R3057		NRSA6AJ-560W	MG RESISTOR 56Ω,1/16W
R2705		NRSA6AJ-151W	MG RESISTOR 150Ω,1/16W	R3059		NRSA6AJ-101W	MG RESISTOR 100Ω,1/16W
R2706		NRSA6AJ-151W	MG RESISTOR 150Ω,1/16W	R3064		NRSA6AJ-0R0W	MG RESISTOR,B,C,D,E,F,G 0Ω,1/16W
R2707		NRSA6AJ-103W	MG RESISTOR 10kΩ,1/16W	R3701		NRSA6AJ-271W	MG RESISTOR 270Ω,1/16W
R2708		NRSA6AJ-103W	MG RESISTOR 10kΩ,1/16W	R3702		NRSA6AJ-271W	MG RESISTOR 270Ω,1/16W
R2709		NRSA6AJ-333W	MG RESISTOR 33kΩ,1/16W	R3703		NRSA6AJ-332W	MG RESISTOR 3.3kΩ,1/16W
R2710		NRSA6AJ-333W	MG RESISTOR 33kΩ,1/16W	R3704		NRSA6AJ-301W	MG RESISTOR 300Ω,1/16W

#	△	REF No.	PART No.	PART NAME, DESCRIPTION		#	△	REF No.	PART No.	PART NAME, DESCRIPTION	
R3705			NRSA6AJ-301W	MG RESISTOR	300Ω, 1/16W	R4809			NRSA6AJ-561W	MG RESISTOR	560Ω, 1/16W
R3706			NRSA6AJ-332W	MG RESISTOR	3.3kΩ, 1/16W	R4810			NRSA6AJ-103W	MG RESISTOR	10kΩ, 1/16W
R3707			NRSA6AJ-680W	MG RESISTOR	68Ω, 1/16W	R4811			NRSA6AJ-684W	MG RESISTOR	680kΩ, 1/16W
R3708			NRSA6AJ-680W	MG RESISTOR	68Ω, 1/16W	R4812			NRSA6AJ-153W	MG RESISTOR	15kΩ, 1/16W
R3710			NRSA6AJ-103W	MG RESISTOR	10kΩ, 1/16W	R4814			NRSA6AJ-105W	MG RESISTOR	1MΩ, 1/16W
R3711			NRSA6AJ-103W	MG RESISTOR	10kΩ, 1/16W	R4815			NRSA6AJ-472W	MG RESISTOR	4.7kΩ, 1/16W
R3712			NRSA6AJ-105W	MG RESISTOR	1MΩ, 1/16W	R4816			NRSA6AJ-105W	MG RESISTOR	1MΩ, 1/16W
R3713			NRSA6AJ-104W	MG RESISTOR	100kΩ, 1/16W	R4817			NRSA6AJ-334W	MG RESISTOR	330kΩ, 1/16W
R3714			NRSA6AJ-823W	MG RESISTOR	82kΩ, 1/16W	R4818			NRSA6AJ-154W	MG RESISTOR	150kΩ, 1/16W
R3715			NRSA6AJ-103W	MG RESISTOR	10kΩ, 1/16W	R4819			NRSA6AJ-103W	MG RESISTOR	10kΩ, 1/16W
R3721			NRSA6AD-271W	MG RESISTOR	270Ω, 1/16W	R4820			NRSA6AJ-104W	MG RESISTOR	100kΩ, 1/16W
R3723			NRSA6AJ-332W	MG RESISTOR	3.3kΩ, 1/16W	R4821			NRSA6AJ-104W	MG RESISTOR	100kΩ, 1/16W
R3725			NRSA6AD-121W	MG RESISTOR	120Ω, 1/16W	R4822			NRSA6AJ-333W	MG RESISTOR	33kΩ, 1/16W
R3726			NRSA6AJ-472W	MG RESISTOR	4.7kΩ, 1/16W	R4823			NRSA6AJ-102W	MG RESISTOR	1kΩ, 1/16W
R3727			NRSA6AJ-472W	MG RESISTOR	4.7kΩ, 1/16W	R4824			NRSA6AJ-472W	MG RESISTOR	4.7kΩ, 1/16W
R3728			NRVA6AD-181W	CMF RESISTOR	180Ω, 1/16W	R4825			NRSA6AJ-222W	MG RESISTOR	2.2kΩ, 1/16W
R3730			NRSA6AJ-472W	MG RESISTOR	4.7kΩ, 1/16W	R4826			NRSA6AJ-473W	MG RESISTOR	47kΩ, 1/16W
R3731			NRSA6AJ-472W	MG RESISTOR	4.7kΩ, 1/16W	R4827			NRSA6AJ-0R0W	MG RESISTOR	0Ω, 1/16W
R3732			NRSA6AJ-101W	MG RESISTOR	100Ω, 1/16W	R4828			NRSA6AJ-0R0W	MG RESISTOR	0Ω, 1/16W
R3733			NRSA6AJ-561W	MG RESISTOR	560Ω, 1/16W	R4833			NRSA6AJ-104W	MG RESISTOR	100kΩ, 1/16W
R3734			NRSA6AJ-822W	MG RESISTOR	8.2kΩ, 1/16W	R4836			NRSA6AJ-0R0W	MG RESISTOR	0Ω, 1/16W
R3735			NRSA6AJ-182W	MG RESISTOR	1.8kΩ, 1/16W	R4837			NRSA6AJ-0R0W	MG RESISTOR	0Ω, 1/16W
R3736			NRSA6AJ-183W	MG RESISTOR	18kΩ, 1/16W	R4841			NRSA6AJ-0R0W	MG RESISTOR	0Ω, 1/16W
R3737			NRSA6AJ-183W	MG RESISTOR	18kΩ, 1/16W	R4842			NRSA6AJ-0R0W	MG RESISTOR	0Ω, 1/16W
R3738			NRSA6AJ-681W	MG RESISTOR	680Ω, 1/16W	R4843			NRSA6AJ-0R0W	MG RESISTOR	0Ω, 1/16W
R3739			NRSA6AJ-821W	MG RESISTOR	820Ω, 1/16W	R4844			NRSA6AJ-151W	MG RESISTOR	150Ω, 1/16W
R3740			NRSA6AJ-821W	MG RESISTOR	820Ω, 1/16W	R4846			NRSA6AJ-0R0W	MG RESISTOR	0Ω, 1/16W
R3741			NRSA6AJ-102W	MG RESISTOR	1kΩ, 1/16W	R4854			NRSA6AJ-0R0W	MG RESISTOR	0Ω, 1/16W
R3742			NRSA6AJ-104W	MG RESISTOR	100kΩ, 1/16W	R4856			NRSA63J-6R8X	MG RESISTOR	6.8Ω, 1/16W
R3743			NRSA6AJ-104W	MG RESISTOR	100kΩ, 1/16W	R4857			NRSA63J-6R8X	MG RESISTOR	6.8Ω, 1/16W
R3744			NRSA6AJ-561W	MG RESISTOR	560Ω, 1/16W	R4858			NRSA6AJ-333W	MG RESISTOR	33kΩ, 1/16W
R3745			NRSA6AJ-152W	MG RESISTOR	1.5kΩ, 1/16W	R4859			NRSA6AJ-0R0W	MG RESISTOR	0Ω, 1/16W
R3746			NRSA6AJ-222W	MG RESISTOR	2.2kΩ, 1/16W	R4860			NRSA6AJ-0R0W	MG RESISTOR	0Ω, 1/16W
R3747			NRSA6AJ-102W	MG RESISTOR	1kΩ, 1/16W	R4862			NRSA63J-6R8X	MG RESISTOR	6.8Ω, 1/16W
R3748			NRSA6AJ-474W	MG RESISTOR	470kΩ, 1/16W	R4863			NRSA63J-6R8X	MG RESISTOR	6.8Ω, 1/16W
R3801			NRSA6AJ-101W	MG RESISTOR	100Ω, 1/16W	R4864			NRSA6AJ-102W	MG RESISTOR	1kΩ, 1/16W
R3802			NRSA6AD-821W	MG RESISTOR	820Ω, 1/16W	R4865			NRSA6AJ-102W	MG RESISTOR	1kΩ, 1/16W
R3803			NRSA6AD-273W	MG RESISTOR	27kΩ, 1/16W	R4866			NRSA6AJ-102W	MG RESISTOR	1kΩ, 1/16W
R3804			NRSA6AD-153W	MG RESISTOR	15kΩ, 1/16W	R4867			NRSA6AJ-102W	MG RESISTOR	1kΩ, 1/16W
R3805			NRSA6AD-821W	MG RESISTOR	820Ω, 1/16W	R4868			NRSA6AJ-0R0W	MG RESISTOR	0Ω, 1/16W
R3807			NRSA6AJ-0R0W	MG RESISTOR	0Ω, 1/16W	R4870			NRSA6AJ-271W	MG RESISTOR	270Ω, 1/16W
R4203			NRSA6AJ-153W	MG RESISTOR	15kΩ, 1/16W	R4871			NRSA6AJ-0R0W	MG RESISTOR	0Ω, 1/16W
R4205			NRSA6AJ-221W	MG RESISTOR	220Ω, 1/16W	R4874			NRSA6AJ-0R0W	MG RESISTOR	0Ω, 1/16W
R4206			NRSA6AJ-221W	MG RESISTOR	220Ω, 1/16W	R5001			NRSA6AJ-104W	MG RESISTOR	100kΩ, 1/16W
R4207			NRSA6AJ-510W	MG RESISTOR	51Ω, 1/16W	R5002			NRSA6AJ-100W	MG RESISTOR	10Ω, 1/16W
R4301			NRSA6AJ-331W	MG RESISTOR	330Ω, 1/16W	R5003			NRSA6AJ-220W	MG RESISTOR	22Ω, 1/16W
R4303			NRSA6AJ-220W	MG RESISTOR	22Ω, 1/16W	R5004			NRSA6AJ-100W	MG RESISTOR	10Ω, 1/16W
R4304			NRSA6AJ-220W	MG RESISTOR	22Ω, 1/16W	R5005			NRSA6AJ-100W	MG RESISTOR	10Ω, 1/16W
R4305			NRSA6AJ-101W	MG RESISTOR	100Ω, 1/16W	R5006			NRSA6AJ-100W	MG RESISTOR	10Ω, 1/16W
R4306			NRSA6AJ-561W	MG RESISTOR	560Ω, 1/16W	R5009			NRSA6AJ-100W	MG RESISTOR	10Ω, 1/16W
R4307			NRSA6AJ-220W	MG RESISTOR	22Ω, 1/16W	R5010			NRSA6AJ-100W	MG RESISTOR	10Ω, 1/16W
R4308			NRSA6AJ-102W	MG RESISTOR	1kΩ, 1/16W	R5017			NRSA6AJ-221W	MG RESISTOR	220Ω, 1/16W
R4309			NRSA6AJ-101W	MG RESISTOR	100Ω, 1/16W	R5020			NRSA6AJ-100W	MG RESISTOR	10Ω, 1/16W
R4310			NRSA6AJ-101W	MG RESISTOR	100Ω, 1/16W	R6001			NRSA6AJ-104W	MG RESISTOR	100kΩ, 1/16W
R4311			NRSA6AJ-101W	MG RESISTOR	100Ω, 1/16W	R6002			NRVA6AD-183W	CMF RESISTOR	18kΩ, 1/16W
R4312			NRSA6AJ-101W	MG RESISTOR	100Ω, 1/16W	R6003			NRSA6AJ-104W	MG RESISTOR	100kΩ, 1/16W
R4313			NRSA6AJ-101W	MG RESISTOR	100Ω, 1/16W	R6004			NRSA6AJ-102W	MG RESISTOR	1kΩ, 1/16W
R4316			NRSA6AJ-0R0W	MG RESISTOR	0Ω, 1/16W	R6005			NRSA6AJ-224W	MG RESISTOR	220kΩ, 1/16W
R4804			NRSA6AJ-681W	MG RESISTOR	680Ω, 1/16W	R6006			NRSA6AJ-104W	MG RESISTOR	100kΩ, 1/16W
R4805			NRSA6AJ-103W	MG RESISTOR	10kΩ, 1/16W	R6007			NRSA6AJ-104W	MG RESISTOR	100kΩ, 1/16W
R4806			NRSA6AJ-683W	MG RESISTOR	68kΩ, 1/16W	R6011			NRSA6AJ-104W	MG RESISTOR	100kΩ, 1/16W
R4807			NRSA6AJ-563W	MG RESISTOR	56kΩ, 1/16W	R6012			NRVA6AD-823W	CMF RESISTOR	82kΩ, 1/16W
R4808			NRSA6AJ-243W	MG RESISTOR	24kΩ, 1/16W	R6013			NRVA6AD-473W	CMF RESISTOR	47kΩ, 1/16W

#	△ REF No.	PART No.	PART NAME, DESCRIPTION		#	△ REF No.	PART No.	PART NAME, DESCRIPTION	
	RA1008	NRZ0034-104W	NETWORK RESISTOR	100kΩ		C2004	NCBA1CK-103W	CAPACITOR	0.01μF,16V
	RA1009	NRZ0034-104W	NETWORK RESISTOR	100kΩ		C2005	NCBA1CK-103W	CAPACITOR	0.01μF,16V
	RA1010	NRZ0034-104W	NETWORK RESISTOR	100kΩ		C2006	NCBA1CK-103W	CAPACITOR	0.01μF,16V
	RA1401	NRZ0034-473W	NETWORK RESISTOR	47kΩ		C2007	NCBA1HK-102W	CAPACITOR	0.001μF,50V
	RA2001	NRZ0034-474W	NETWORK RESISTOR,B,C,D,E,F,G	470kΩ		C2008	NCBA1CK-103W	CAPACITOR	0.01μF,16V
	RA2002	NRZ0034-474W	NETWORK RESISTOR,B,C,D,E,F,G	470kΩ		C2009	NCBA1CK-103W	CAPACITOR	0.01μF,16V
	RA3001	NRZ0034-100W	NETWORK RESISTOR	10Ω		C2010	NCBA1CK-103W	CAPACITOR	0.01μF,16V
	RA3002	NRZ0034-100W	NETWORK RESISTOR	10Ω		C2011	NCBA1CK-103W	CAPACITOR	0.01μF,16V
	RA3003	NRZ0034-100W	NETWORK RESISTOR	10Ω		C2012	NCBA1CK-103W	CAPACITOR	0.01μF,16V
	RA4201	NRZ0034-221W	NETWORK RESISTOR	220Ω		C2013	NCBA1CK-103W	CAPACITOR	0.01μF,16V
	RA4202	NRZ0034-221W	NETWORK RESISTOR	220Ω		C2014	NCBA1HK-102W	CAPACITOR	0.001μF,50V
	RA4301	NRZ0034-181W	NETWORK RESISTOR	180Ω		C2015	NCBA1HK-102W	CAPACITOR	0.001μF,50V
	RA4302	NRZ0034-181W	NETWORK RESISTOR	180Ω		C2016	NCBA1HK-102W	CAPACITOR	0.001μF,50V
	RA4303	NRZ0034-181W	NETWORK RESISTOR	180Ω		C2017	NCBA1HK-102W	CAPACITOR	0.001μF,50V
	RA4304	NRZ0034-181W	NETWORK RESISTOR	180Ω		C2018	NCBA1HK-102W	CAPACITOR	0.001μF,50V
	RA4305	NRZ0034-100W	NETWORK RESISTOR	10Ω		C2019	NCBA1CK-103W	CAPACITOR	0.01μF,16V
	RA4306	NRZ0034-100W	NETWORK RESISTOR	10Ω		C2020	NCBA1CK-103W	CAPACITOR	0.01μF,16V
	RA4307	NRZ0034-100W	NETWORK RESISTOR	10Ω		C2021	NCBA1CK-103W	CAPACITOR	0.01μF,16V
	RA4308	NRZ0034-100W	NETWORK RESISTOR	10Ω		C2022	NCBA1CK-103W	CAPACITOR	0.01μF,16V
	C1003	NBP41CM-106X	T CAPACITOR,A	10μF,16V		C2023	NCBA1CK-103W	CAPACITOR	0.01μF,16V
		NBE90JM-106X	T CAPACITOR,B,C,D,E,F,G	10μF,6.3V		C2024	NCBA1CK-103W	CAPACITOR	0.01μF,16V
	C1004	NCFA1AZ-104W	CAPACITOR	0.1μF,10V		C2025	NCBA1CK-103W	CAPACITOR	0.01μF,16V
	C1006	NDCA1HJ-130W	CAPACITOR	13pF,50V		C2026	NCBA1CK-103W	CAPACITOR	0.01μF,16V
	C1007	NCFA1HZ-103W	CAPACITOR	0.01μF,50V		C2027	NCBA1CK-103W	CAPACITOR	0.01μF,16V
	C1008	NCFA1HZ-103W	CAPACITOR	0.01μF,50V		C2028	NCBA1CK-103W	CAPACITOR	0.01μF,16V
	C1011	NCFA1HZ-103W	CAPACITOR	0.01μF,50V		C2029	NCBA1CK-103W	CAPACITOR	0.01μF,16V
	C1012	NCFA1HZ-103W	CAPACITOR	0.01μF,50V		C2030	NCBA1CK-103W	CAPACITOR	0.01μF,16V
	C1013	NCFA1HZ-103W	CAPACITOR	0.01μF,50V		C2031	NCBA1CK-103W	CAPACITOR	0.01μF,16V
	C1014	NCFA1HZ-103W	CAPACITOR	0.01μF,50V		C2032	NCBA1CK-103W	CAPACITOR	0.01μF,16V
	C1015	NCFA1HZ-103W	CAPACITOR	0.01μF,50V		C2033	NCBA1CK-103W	CAPACITOR	0.01μF,16V
	C1016	NCFA1HZ-103W	CAPACITOR	0.01μF,50V		C2035	NCB11CK-105X	CAPACITOR	1μF,16V
	C1017	NCFA1HZ-103W	CAPACITOR	0.01μF,50V		C2036	NCBA1CK-103W	CAPACITOR	0.01μF,16V
	C1018	NCFA1HZ-103W	CAPACITOR	0.01μF,50V		C2037	NCBA1CK-103W	CAPACITOR	0.01μF,16V
	C1019	NCFA1HZ-103W	CAPACITOR	0.01μF,50V		C2038	NCBA1CK-103W	CAPACITOR	0.01μF,16V
	C1023	NCFA1AZ-104W	CAPACITOR	0.1μF,10V		C2039	NCBA1CK-103W	CAPACITOR	0.01μF,16V
	C1026	NCFA1AZ-104W	CAPACITOR	0.1μF,10V		C2101	NCB30JK-105X	CAPACITOR	1μF,6.3V
	C1027	NCFA1HZ-103W	CAPACITOR	0.01μF,50V		C2102	NCB30JK-105X	CAPACITOR	1μF,6.3V
	C1028	NCFA1HZ-103W	CAPACITOR	0.01μF,50V		C2103	NCBA1HK-222W	CAPACITOR	0.0022μF,50V
	C1029	NCFA1HZ-103W	CAPACITOR	0.01μF,50V		C2104	NCBA1HK-222W	CAPACITOR	0.0022μF,50V
	C1030	NCFA1HZ-103W	CAPACITOR	0.01μF,50V		C2105	NBE20JM-475X	T CAPACITOR	4.7μF,6.3V
	C1031	NCF31AZ-105X	CAPACITOR	1μF,10V		C2106	NCBA1AK-104W	CAPACITOR	0.1μF,10V
	C1034	NCFA1HZ-103W	CAPACITOR	0.01μF,50V		C2107	NCBA1AK-104W	CAPACITOR	0.1μF,10V
	C1036	NCFA1HZ-103W	CAPACITOR	0.01μF,50V		C2108	NBE20JM-106X	T CAPACITOR	10μF,6.3V
	C1037	NCFA1HZ-103W	CAPACITOR	0.01μF,50V		C2151	NCB30JK-105X	CAPACITOR	1μF,6.3V
	C1038	NCFA1HZ-103W	CAPACITOR	0.01μF,50V		C2153	NCBA1HK-222W	CAPACITOR	0.0022μF,50V
	C1401	NDCA1HJ-100W	CAPACITOR	10pF,50V		C2154	NCBA1HK-222W	CAPACITOR	0.0022μF,50V
	C1402	NDCA1HJ-100W	CAPACITOR	10pF,50V		C2155	NBE20JM-475X	T CAPACITOR	4.7μF,6.3V
	C1403	NCBA1AK-104W	CAPACITOR	0.1μF,10V		C2156	NCBA1AK-104W	CAPACITOR	0.1μF,10V
	C1404	NCBA1AK-104W	CAPACITOR	0.1μF,10V		C2157	NCBA1AK-104W	CAPACITOR	0.1μF,10V
	C1405	NCBA1AK-104W	CAPACITOR	0.1μF,10V		C2201	NCB20JK-225X	CAPACITOR	2.2μF,6.3V
	C1406	NCBA1AK-104W	CAPACITOR	0.1μF,10V		C2202	NCB20JK-225X	CAPACITOR	2.2μF,6.3V
	C1407	NCBA1AK-104W	CAPACITOR	0.1μF,10V		C2203	NCB31AK-474X	CAPACITOR	0.47μF,10V
	C1409	NCBA1CK-103W	CAPACITOR	0.01μF,16V		C2204	NCB31AK-474X	CAPACITOR	0.47μF,10V
	C1410	NCBA1CK-103W	CAPACITOR	0.01μF,16V		C2205	NCBA1AK-104W	CAPACITOR	0.1μF,10V
	C1411	NCBA1CK-103W	CAPACITOR	0.01μF,16V		C2206	NCBA1AK-104W	CAPACITOR	0.1μF,10V
	C1412	NCBA1CK-223W	CAPACITOR	0.022μF,16V		C2207	NBE20JM-106X	T CAPACITOR	10μF,6.3V
	C1413	NCBA1CK-223W	CAPACITOR	0.022μF,16V		C2208	NBE20JM-106X	T CAPACITOR	10μF,6.3V
	C1414	NCBA1CK-223W	CAPACITOR	0.022μF,16V		C2210	NBE20JM-475X	T CAPACITOR	4.7μF,6.3V
	C1415	NCBA1CK-223W	CAPACITOR	0.022μF,16V		C2211	NBE20JM-106X	T CAPACITOR	10μF,6.3V
	C1416	NCBA1AK-104W	CAPACITOR,B,C,D,E,F,G	0.1μF,10V		C2212	NCBA1AK-104W	CAPACITOR	0.1μF,10V
	C2001	NCBA1CK-103W	CAPACITOR	0.01μF,16V		C2214	NBE20JM-106X	T CAPACITOR	10μF,6.3V
	C2002	NCBA1CK-103W	CAPACITOR	0.01μF,16V		C2215	NCBA1AK-104W	CAPACITOR	0.1μF,10V
	C2003	NCBA1CK-103W	CAPACITOR	0.01μF,16V		C2216	NCBA1AK-104W	CAPACITOR	0.1μF,10V

#	△ REF No.	PART No.	PART NAME, DESCRIPTION	#	△ REF No.	PART No.	PART NAME, DESCRIPTION	
	C2217	NCBA1CK-103W	CAPACITOR	0.01μF,16V	C3022	NCBA1AK-104W	CAPACITOR	0.1μF,10V
	C2219	NCB30JK-105X	CAPACITOR	1μF,6.3V	C3023	NDCA1HJ-330W	CAPACITOR	33pF,50V
	C2220	NCBA1CK-103W	CAPACITOR	0.01μF,16V	C3024	NCBA1HK-102W	CAPACITOR	0.001μF,50V
	C2221	NCB30JK-105X	CAPACITOR	1μF,6.3V	C3025	NCBA1AK-104W	CAPACITOR	0.1μF,10V
	C2222	NCB30JK-105X	CAPACITOR	1μF,6.3V	C3026	NCB30JK-105X	CAPACITOR	1μF,6.3V
	C2301	NBE20JM-106X	T CAPACITOR	10μF,6.3V	C3027	NCBA1EK-472W	CAPACITOR	0.0047μF,25V
	C2303	NCB30JK-105X	CAPACITOR	1μF,6.3V	C3028	NDCA1EJ-271W	CAPACITOR	270pF,25V
	C2304	NCB30JK-105X	CAPACITOR	1μF,6.3V	C3029	NCBA1CK-103W	CAPACITOR	0.01μF,16V
	C2305	NCB30JK-105X	CAPACITOR	1μF,6.3V	C3030	NCBA1AK-104W	CAPACITOR	0.1μF,10V
	C2306	NCB30JK-105X	CAPACITOR	1μF,6.3V	C3031	NCBA1AK-104W	CAPACITOR	0.1μF,10V
	C2307	NCB30JK-105X	CAPACITOR	1μF,6.3V	C3032	NCBA1HK-102W	CAPACITOR	0.001μF,50V
	C2308	NCB30JK-105X	CAPACITOR	1μF,6.3V	C3033	NDCA1HJ-120W	CAPACITOR	12pF,50V
	C2311	NCB31CK-104X	CAPACITOR	0.1μF,16V	C3036	NDCA1HJ-6R0W	CAPACITOR	6pF,50V
	C2312	NCB30JK-105X	CAPACITOR	1μF,6.3V	C3037	NDCA1HJ-6R0W	CAPACITOR	6pF,50V
	C2313	NCB30JK-105X	CAPACITOR	1μF,6.3V	C3038	NCBA1AK-104W	CAPACITOR	0.1μF,10V
	C2314	NCB30JK-105X	CAPACITOR	1μF,6.3V	C3039	NCBA1AK-104W	CAPACITOR	0.1μF,10V
	C2402	NBE20JM-106X	T CAPACITOR	10μF,6.3V	C3040	NCBA1CK-103W	CAPACITOR	0.01μF,16V
	C2405	NBE41AM-106X	T CAPACITOR,A	10μF,10V	C3041	NCBA1CK-103W	CAPACITOR	0.01μF,16V
		NBE20JM-106X	T CAPACITOR,B,C,D,E,F,G	10μF,6.3V	C3042	NCBA1CK-103W	CAPACITOR	0.01μF,16V
	C2407	NBE40JM-476X	T CAPACITOR	47μF,6.3V	C3043	NCBA1CK-103W	CAPACITOR	0.01μF,16V
	C2603	NCB31EK-103X	CAPACITOR	0.01μF,25V	C3044	NCBA1AK-104W	CAPACITOR	0.1μF,10V
	C2604	NCB31EK-103X	CAPACITOR	0.01μF,25V	C3045	NCBA1AK-104W	CAPACITOR	0.1μF,10V
	C2605	NCBA1HK-102W	CAPACITOR	0.001μF,50V	C3046	NCBA1CK-103W	CAPACITOR	0.01μF,16V
	C2606	NCBA1HK-102W	CAPACITOR	0.001μF,50V	C3048	NCB21CK-224X	CAPACITOR,A	0.22μF,16V
	C2607	NBE20JM-475X	T CAPACITOR	4.7μF,6.3V		NCB31CK-473X	CAPACITOR,B,C,D,E,F,G	0.047μF,16V
	C2608	NBE20JM-475X	T CAPACITOR	4.7μF,6.3V	C3049	NCBA1CK-103W	CAPACITOR	0.01μF,16V
	C2609	NCB31CK-273X	CAPACITOR	0.027μF,16V	C3050	NCBA1CK-103W	CAPACITOR	0.01μF,16V
	C2610	NCB31CK-273X	CAPACITOR	0.027μF,16V	C3051	NCBA1HK-102W	CAPACITOR	0.001μF,50V
	C2613	NCB31CK-333X	CAPACITOR	0.033μF,16V	C3052	NCBA1AK-473W	CAPACITOR	0.047μF,10V
	C2614	NCB31CK-333X	CAPACITOR	0.033μF,16V	C3054	NCB30JK-105X	CAPACITOR	1μF,6.3V
	C2615	NCBA1HK-332W	CAPACITOR	0.0033μF,50V	C3055	NCBA1CK-103W	CAPACITOR	0.01μF,16V
	C2616	NCBA1HK-332W	CAPACITOR	0.0033μF,50V	C3057	NDCA1HJ-100W	CAPACITOR	10pF,50V
	C2619	NCBA1HK-152W	CAPACITOR	0.0015μF,50V	C3058	NDCA1HJ-9R0W	CAPACITOR	9pF,50V
	C2620	NCBA1HK-152W	CAPACITOR	0.0015μF,50V	C3059	NBE20GM-226X	T CAPACITOR	22μF,4.0V
	C2621	NCBA1CK-103W	CAPACITOR	0.01μF,16V	C3060	NCBA1CK-103W	CAPACITOR	0.01μF,16V
	C2622	NCBA1CK-103W	CAPACITOR	0.01μF,16V	C3061	NCBA1CK-103W	CAPACITOR	0.01μF,16V
	C2623	NCB30JK-105X	CAPACITOR	1μF,6.3V	C3064	NCBA1HK-102W	CAPACITOR	0.001μF,50V
	C2624	NCB30JK-105X	CAPACITOR	1μF,6.3V	C3068	NRSA6AJ-0R0W	MG RESISTOR	0Ω, 1/16W
	C2625	NCBA1AK-104W	CAPACITOR	0.1μF,10V	C3701	NBE20JM-106X	T CAPACITOR	10μF,6.3V
	C2626	NCBA1AK-104W	CAPACITOR	0.1μF,10V	C3702	NDCA1HJ-560W	CAPACITOR	56pF,50V
	C2627	NBE20GM-336X	T CAPACITOR	33μF,4.0V	C3703	NDCA1HJ-270W	CAPACITOR	27pF,50V
	C2630	NCB31CK-473X	CAPACITOR	0.047μF,16V	C3704	NDCA1HJ-680W	CAPACITOR	68pF,50V
	C2631	NCB31CK-473X	CAPACITOR	0.047μF,16V	C3705	NDCA1HJ-270W	CAPACITOR	27pF,50V
	C2701	NCB20JK-225X	CAPACITOR	2.2μF,6.3V	C3706	NCB30JK-105X	CAPACITOR	1μF,6.3V
	C2702	NCB20JK-225X	CAPACITOR	2.2μF,6.3V	C3707	NCBA1CK-103W	CAPACITOR	0.01μF,16V
	C2901	NCBA1CK-103W	CAPACITOR	0.01μF,16V	C3708	NCBA1AK-104W	CAPACITOR	0.1μF,10V
	C2903	NCB30JK-105X	CAPACITOR	1μF,6.3V	C3709	NCBA1CK-103W	CAPACITOR	0.01μF,16V
	C2904	NCBA1CK-103W	CAPACITOR	0.01μF,16V	C3710	NBE20GM-226X	T CAPACITOR	22μF,4.0V
	C3001	NBE20JM-106X	T CAPACITOR	10μF,6.3V	C3712	NBE40GM-107X	T CAPACITOR	100μF,4.0V
	C3003	NCB30JK-105X	CAPACITOR	1μF,6.3V	C3715	NCBA1CK-103W	CAPACITOR	0.01μF,16V
	C3004	NCB30JK-105X	CAPACITOR	1μF,6.3V	C3731	NCBA1CK-103W	CAPACITOR	0.01μF,16V
	C3005	NBE20JM-106X	T CAPACITOR	10μF,6.3V	C3732	NCBA1HK-102W	CAPACITOR	0.001μF,50V
	C3007	NCB10JK-106X	CAPACITOR	10μF,6.3V	C3733	NDCA1HJ-3R0W	CAPACITOR	3pF,50V
	C3008	NBE20JM-106X	T CAPACITOR	10μF,6.3V	C3734	NDCA1HJ-5R0W	CAPACITOR	5pF,50V
	C3011	NCBA1AK-104W	CAPACITOR	0.1μF,10V	C3735	NDCA1HJ-330W	CAPACITOR	33pF,50V
	C3012	NCBA1AK-104W	CAPACITOR	0.1μF,10V	C3736	NCBA1HK-102W	CAPACITOR	0.001μF,50V
	C3013	NCBA1CK-103W	CAPACITOR	0.01μF,16V	C3738	NCBA1CK-103W	CAPACITOR	0.01μF,16V
	C3014	NCBA1CK-103W	CAPACITOR	0.01μF,16V	C3739	NCBA1CK-103W	CAPACITOR	0.01μF,16V
	C3015	NCBA1CK-103W	CAPACITOR	0.01μF,16V	C3740	NCB30JK-105X	CAPACITOR	1μF,6.3V
	C3016	NCBA1AK-104W	CAPACITOR	0.1μF,10V	C3741	NCB30JK-105X	CAPACITOR	1μF,6.3V
	C3017	NCBA1AK-104W	CAPACITOR	0.1μF,10V	C3742	NCBA1AK-104W	CAPACITOR	0.1μF,10V
	C3020	NCBA1AK-104W	CAPACITOR	0.1μF,10V	C3743	NDCA1HJ-3R0W	CAPACITOR	3pF,50V
	C3021	NCBA1AK-104W	CAPACITOR	0.1μF,10V	C3744	NDCA1HJ-5R0W	CAPACITOR	5pF,50V

#	△ REF No.	PART No.	PART NAME, DESCRIPTION	#	△ REF No.	PART No.	PART NAME, DESCRIPTION
C3745		NDCA1HJ-330W	CAPACITOR 33pF,50V	C4813		NCFA1AZ-104W	CAPACITOR 0.1μF,10V
C3746		NCB20JM-475X	CAPACITOR 4.7μF,6.3V	C4814		NCFA1AZ-104W	CAPACITOR 0.1μF,10V
C3747		NCBA1CK-103W	CAPACITOR 0.01μF,16V	C4815		NCB31HK-152X	CAPACITOR 0.0015μF,50V
C3801		NCB30JK-105X	CAPACITOR 1μF,6.3V	C4816		NCBA1HK-102W	CAPACITOR 0.001μF,50V
C3802		NCB30JK-105X	CAPACITOR 1μF,6.3V	C4819		NCF31CZ-104X	CAPACITOR 0.1μF,16V
C3803		NBE20JM-106X	T CAPACITOR 10μF,6.3V	C4820		NCBA1CK-103W	CAPACITOR,B,C,D,E,F,G 0.01μF,16V
C3804		NBE20GM-476X	T CAPACITOR 47μF,4.0V	C4822		NCBA1CK-103W	CAPACITOR 0.01μF,16V
C3805		NCBA1CK-103W	CAPACITOR 0.01μF,16V	C4851		NBE20JM-106X	T CAPACITOR 10μF,6.3V
C3806		NCBA1CK-103W	CAPACITOR 0.01μF,16V	C4852		NCFA1AZ-104W	CAPACITOR 0.1μF,10V
C3807		NCBA1CK-103W	CAPACITOR 0.01μF,16V	C4853		NBE21AM-335X	T CAPACITOR 3.3μF,10V
C3808		NCBA1CK-103W	CAPACITOR 0.01μF,16V	C4854		NBE21AM-106X	T CAPACITOR 10μF,10V
C3809		NCB31CK-104X	CAPACITOR 0.1μF,16V	C4855		NCB31CK-104X	CAPACITOR 0.1μF,16V
C3810		NCBA1CK-103W	CAPACITOR 0.01μF,16V	C4858		NDCA1HJ-680W	CAPACITOR 68pF,50V
C3811		NCB31CK-104X	CAPACITOR 0.1μF,16V	C4859		NCBA1HK-102W	CAPACITOR 0.001μF,50V
C3812		NCBA1AK-104W	CAPACITOR 0.1μF,10V	C4860		NCBA1HK-102W	CAPACITOR 0.001μF,50V
C3813		NCBA1AK-104W	CAPACITOR 0.1μF,10V	C4861		NCBA1HK-102W	CAPACITOR 0.001μF,50V
C3814		NCBA1CK-103W	CAPACITOR 0.01μF,16V	C4862		NCBA1HK-102W	CAPACITOR 0.001μF,50V
C3815		NCBA1AK-104W	CAPACITOR 0.1μF,10V	C4864		NBE20JM-106X	T CAPACITOR 10μF,6.3V
C3816		NCBA1AK-104W	CAPACITOR 0.1μF,10V	C4865		NCFA1AZ-104W	CAPACITOR 0.1μF,10V
C3817		NCBA1AK-104W	CAPACITOR 0.1μF,10V	C5001		NCB30JK-105X	CAPACITOR 1μF,6.3V
C3818		NCBA1AK-104W	CAPACITOR 0.1μF,10V	C5002		NCBA1AK-104W	CAPACITOR 0.1μF,10V
C3819		NCBA1CK-103W	CAPACITOR 0.01μF,16V	C5003		NBE20JM-106X	T CAPACITOR 10μF,6.3V
C4201		NBE40JM-476X	T CAPACITOR 47μF,6.3V	C5004		NCB30JK-105X	CAPACITOR 1μF,6.3V
C4202		NBE40JM-476X	T CAPACITOR 47μF,6.3V	C5005		NCBA1AK-104W	CAPACITOR 0.1μF,10V
C4203		NCBA1CK-103W	CAPACITOR 0.01μF,16V	C5006		NCBA1AK-104W	CAPACITOR 0.1μF,10V
C4204		NBE40GM-107X	T CAPACITOR 100μF,4.0V	C5008		NBE40JM-476X	T CAPACITOR 47μF,6.3V
C4205		NCBA1AK-104W	CAPACITOR 0.1μF,10V	C5009		NBE20JM-106X	T CAPACITOR 10μF,6.3V
C4206		NCBA1AK-104W	CAPACITOR 0.1μF,10V	C5011		NCBA1AK-104W	CAPACITOR 0.1μF,10V
C4207		NCBA1AK-104W	CAPACITOR 0.1μF,10V	C5012		NCBA1AK-104W	CAPACITOR 0.1μF,10V
C4208		NCBA1AK-104W	CAPACITOR 0.1μF,10V	C5013		NCBA1AK-104W	CAPACITOR 0.1μF,10V
C4209		NCBA1AK-104W	CAPACITOR 0.1μF,10V	C5014		NCBA1AK-104W	CAPACITOR 0.1μF,10V
C4210		NCB30JK-105X	CAPACITOR 1μF,6.3V	C5017		NBE41AM-476X	T CAPACITOR 47μF,10V
C4211		NCB21CK-105X	CAPACITOR 1μF,16V	C5021		NBP41EM-475X	T CAPACITOR 4.7μF,25V
C4212		NCBA1CK-123W	CAPACITOR 0.012μF,16V	C5023		NCBA1AK-104W	CAPACITOR 0.1μF,10V
C4213		NCBA1AK-104W	CAPACITOR 0.1μF,10V	C5025		NBP21VM-105X	T CAPACITOR 1μF,35V
C4214		NCBA1AK-104W	CAPACITOR 0.1μF,10V	C5027		NCBA1AK-104W	CAPACITOR 0.1μF,10V
C4215		NCBA1AK-104W	CAPACITOR 0.1μF,10V	C5028		NBE20JM-106X	T CAPACITOR 10μF,6.3V
C4218		NCBA1AK-104W	CAPACITOR 0.1μF,10V	C6001		NCBA1AK-104W	CAPACITOR 0.1μF,10V
C4219		NCBA1AK-104W	CAPACITOR 0.1μF,10V	C6002		NCBA1CK-103W	CAPACITOR 0.01μF,16V
C4220		NCB30JK-105X	CAPACITOR 1μF,6.3V	C6005		NBP21CM-685X	T CAPACITOR 6.8μF,16V
C4221		NCB30JK-105X	CAPACITOR 1μF,6.3V	C6006		NCF31AZ-105X	CAPACITOR 1μF,10V
C4222		NCB30JK-105X	CAPACITOR 1μF,6.3V	C6007		NBE20JM-106X	T CAPACITOR 10μF,6.3V
C4301		NCB30JK-105X	CAPACITOR 1μF,6.3V	C6008		NCBA1AK-104W	CAPACITOR 0.1μF,10V
C4302		NBE20JM-106X	T CAPACITOR 10μF,6.3V	C6009		NCBA1CK-103W	CAPACITOR 0.01μF,16V
C4304		NCBA1AK-104W	CAPACITOR 0.1μF,10V	L1002		NQL315K-100X	COIL 10μH
C4305		NCB30JK-105X	CAPACITOR 1μF,6.3V	L1401		NQR0006-001X	FERRITE BEAD
C4306		NBE20JM-106X	T CAPACITOR 10μF,6.3V	L2001		NQR0006-001X	FERRITE BEAD
C4308		NBE20JM-106X	T CAPACITOR 10μF,6.3V	L2101		NQL402M-100X	COIL 10μH
C4310		NCBA1AK-104W	CAPACITOR 0.1μF,10V	L2402		NQL315K-220X	COIL 22μH
C4312		NCBA1AK-104W	CAPACITOR 0.1μF,10V	L2601		NRSA63J-0R0X	MG RESISTOR 0Ω,1/16W
C4313		NCBA1CK-103W	CAPACITOR 0.01μF,16V	L2602		NRSA63J-0R0X	MG RESISTOR 0Ω,1/16W
C4316		NCB30JK-105X	CAPACITOR 1μF,6.3V	L2603		NRSA63J-0R0X	MG RESISTOR 0Ω,1/16W
C4317		NCBA1AK-104W	CAPACITOR 0.1μF,10V	L3001		NQR0129-002X	FERRITE BEAD
C4318		NCBA1AK-104W	CAPACITOR 0.1μF,10V	L3002		NQR0129-002X	FERRITE BEAD
C4803		NBE20JM-106X	T CAPACITOR 10μF,6.3V	L3003		NQR0129-002X	FERRITE BEAD
C4804		NCFA1AZ-104W	CAPACITOR 0.1μF,10V	L3004		NQR0006-001X	FERRITE BEAD
C4806		NCFA1AZ-104W	CAPACITOR 0.1μF,10V	L3005		NQR0006-001X	FERRITE BEAD
C4807		NCBA1CK-103W	CAPACITOR 0.01μF,16V	L3006		NQR0006-001X	FERRITE BEAD
C4808		NCB30JK-105X	CAPACITOR 1μF,6.3V	L3007		NQL085J-2R2X	COIL 2.2μH
C4809		NCFA1AZ-104W	CAPACITOR 0.1μF,10V	L3008		NQL085J-120X	COIL 12μH
C4810		NCBA1CK-103W	CAPACITOR 0.01μF,16V	L3014		NQL38DK-100X	COIL 10μH
C4811		NCBA1CK-103W	CAPACITOR 0.01μF,16V	L3015		NQR0006-001X	FERRITE BEAD
C4812		NCFA1AZ-104W	CAPACITOR 0.1μF,10V	L3701		NQL38DK-100X	COIL 10μH

#	△ REF No.	PART No.	PART NAME, DESCRIPTION		#	△ REF No.	PART No.	PART NAME, DESCRIPTION	
L3731		NQL085J-6R8X	COIL	6.8μH	IC8003		MBV160TE70PTA38	IC(MICRO C ROM)	
L3732		NQL085J-6R8X	COIL	6.8μH			or MBV160TE90PTA38	IC(MICRO C ROM)	
L3801		NQR0129-002X	FERRITE BEAD		IC8005		BU2288FV	IC	
L3802		NQR0129-002X	FERRITE BEAD		IC8301		ISP1181ADGG	IC	
L3803		NQR0006-001X	FERRITE BEAD		IC8302		S-80842ANNP-W	IC	
L3804		NQL38DK-100X	COIL	10μH	IC8501		MN5772ZZLD	IC	
L4201		NQL402M-100X	COIL	10μH			or YQ44917A	CSP IC ASSY	
L4301		NQR0129-002X	FERRITE BEAD		Q8001		2SA1774/RS/-X	TRANSISTOR	
L4302		NQR0129-002X	FERRITE BEAD		D8301		1SS355	DIODE	
L4303		NQR0129-002X	FERRITE BEAD		R8001		NRSA6AJ-103W	MG RESISTOR	10kΩ,1/16W
L4304		NQR0129-002X	FERRITE BEAD		R8002		NRSA6AJ-103W	MG RESISTOR	10kΩ,1/16W
L4802		NQL302N-100X	COIL	10μH	R8003		NRSA6AJ-103W	MG RESISTOR	10kΩ,1/16W
L4851		NQR0129-002X	FERRITE BEAD		R8007		NRSA6AJ-472W	MG RESISTOR	4.7kΩ,1/16W
L4852		NQL315K-100X	COIL	10μH	R8009		NRSA6AJ-472W	MG RESISTOR	4.7kΩ,1/16W
L4853		NQL315K-100X	COIL	10μH	R8016		NRSA6AJ-103W	MG RESISTOR	10kΩ,1/16W
L5001		NQR0129-002X	FERRITE BEAD		R8017		NRSA6AJ-103W	MG RESISTOR	10kΩ,1/16W
L5002		NQL045K-100X	COIL	10μH	R8022		NRSA6AJ-105W	MG RESISTOR	1MΩ,1/16W
L5003		NQR0129-002X	FERRITE BEAD		R8032		NRSA6AJ-0R0W	MG RESISTOR	0Ω,1/16W
L5004		NQL045K-100X	COIL	10μH	R8037		NRSA6AJ-103W	MG RESISTOR	10kΩ,1/16W
L5005		NQR0129-002X	FERRITE BEAD		R8038		NRSA6AJ-0R0W	MG RESISTOR	0Ω,1/16W
L5006		NQL045K-100X	COIL	10μH	R8043		NRSA6AJ-0R0W	MG RESISTOR	0Ω,1/16W
L5007		NQR0129-002X	FERRITE BEAD		R8046		NRSA6AJ-0R0W	MG RESISTOR	0Ω,1/16W
L6001		NQL402M-100X	COIL	10μH	R8049		NRSA6AJ-103W	MG RESISTOR	10kΩ,1/16W
X1001		NAX0474-001X	C OSCILLATOR		R8051		NRSA6AJ-103W	MG RESISTOR	10kΩ,1/16W
X1002		NAX0325-001X	CRYSTAL RESONATOR		R8052		NRSA6AJ-220W	MG RESISTOR	22Ω,1/16W
X1401		NAX0175-001X	CRYSTAL RESONATOR		R8053		NRSA6AJ-220W	MG RESISTOR	22Ω,1/16W
X3001		NAX0169-001X	CRYSTAL RESONATOR		R8055		NRSA6AJ-220W	MG RESISTOR	22Ω,1/16W
X3002		NAX0480-001X	CRYSTAL RESONATOR		R8057		NRSA6AJ-560W	MG RESISTOR	56Ω,1/16W
X4301		NAX0528-001X	CXO		R8059		NRSA6AJ-220W	MG RESISTOR	22Ω,1/16W
J101		NNZ0041-001X	D CONNECTOR		R8061		NRSA6AJ-104W	MG RESISTOR	100kΩ,1/16W
FFC101		WJT0062-001B	E-CARD WIRE,CN112-JUNC.CN1101		R8062		NRSA6AJ-102W	MG RESISTOR	1kΩ,1/16W
FFC102		WJT0060-001A	E-CARD WIRE,CN113-EJECT CN2422		R8302		NRS181J-220X	MG RESISTOR	22Ω,1/8W
WR1		YU40017-015-1	THIN WIRE,C1011-TL1008,A		R8303		NRS181J-220X	MG RESISTOR	22Ω,1/8W
WR2		YU40017-045-8	THIN WIRE,C1003-RA1009,A		R8305		NRSA6AJ-105W	MG RESISTOR	1MΩ,1/16W
WR3		YU40017-035-3	THIN WIRE,C1003-C2035,A		R8306		NRSA6AJ-103W	MG RESISTOR	10kΩ,1/16W
CN101		QGA1002F1-02X	CONNECTOR		R8307		NRSA6AJ-103W	MG RESISTOR	10kΩ,1/16W
CN102		QGF0507F3-20X	FFC/FPC CONNECTOR		R8308		NRSA6AJ-103W	MG RESISTOR	10kΩ,1/16W
CN103		QGF0505F2-16X	FPC CONNECTOR,A		R8309		NRSA6AJ-103W	MG RESISTOR	10kΩ,1/16W
		QGF0517F2-16X	FPC CONNECTOR,B,C,D,E,F,G		R8310		NRSA6AJ-153W	MG RESISTOR	15kΩ,1/16W
CN104		QGF0505F2-24X	FPC CONNECTOR		R8311		NRSA6AJ-105W	MG RESISTOR	1MΩ,1/16W
CN105		QGB0516L1-80X	CONNECTOR		R8529		NRSA6AJ-220W	MG RESISTOR	22Ω,1/16W
CN106		QGB0404M1-80X	CONNECTOR		R8531		NRSA6AJ-220W	MG RESISTOR	22Ω,1/16W
CN107		QGB0509M1-30X	CONNECTOR		R8532		NRSA6AJ-0R0W	MG RESISTOR	0Ω,1/16W
CN108		QGB0512L2-50X	CONNECTOR		R8533		NRSA6AJ-0R0W	MG RESISTOR	0Ω,1/16W
CN109		QGB0507L1-80X	CONNECTOR		RA8001		NRZ0034-101W	NETWORK RESISTOR	100Ω
CN110		QGF0505F2-22X	FPC CONNECTOR		RA8002		NRZ0034-101W	NETWORK RESISTOR	100Ω
CN111		QGF0505F2-24X	FPC CONNECTOR		RA8003		NRZ0034-101W	NETWORK RESISTOR	100Ω
CN112		QGF0505F1-16X	FPC CONNECTOR		RA8004		NRZ0034-101W	NETWORK RESISTOR	100Ω
CN113		QGF0505F1-06X	FPC CONNECTOR		C8001		NBE20JM-106X	T CAPACITOR	10μF,6.3V
OT1		LY30029-0S2A	SPACER(A)		C8002		NBE20JM-106X	T CAPACITOR	10μF,6.3V
OT2		LY30029-0T1A	SPACER(A)		C8003		NBE20JM-106X	T CAPACITOR	10μF,6.3V
OT3		LY30029-0U8A	SPACER(A)		C8004		NCBA1AK-104W	CAPACITOR	0.1μF,10V
OT4		LY30029-0U1A	SPACER(A),A		C8005		NCBA1AK-104W	CAPACITOR	0.1μF,10V
					C8006		NBE20GM-476X	T CAPACITOR	47μF,4.0V
					C8007		NCBA1AK-104W	CAPACITOR	0.1μF,10V
					C8008		NCBA1AK-104W	CAPACITOR	0.1μF,10V
					C8010		NCBA1AK-104W	CAPACITOR	0.1μF,10V
					C8014		NCBA1AK-104W	CAPACITOR	0.1μF,10V
					C8017		NCBA1AK-104W	CAPACITOR	0.1μF,10V
					C8020		NBE20JM-106X	T CAPACITOR	10μF,6.3V
					C8021		NCBA1AK-104W	CAPACITOR	0.1μF,10V
					C8022		NCB21CK-105X	CAPACITOR	1μF,16V
					C8023		NCBA1CK-103W	CAPACITOR	0.01μF,16V

DSC BOARD ASSEMBLY <02>

PW	YB10350C-01	DSC BOARD ASSY
IC8001	TMS320DSC24GHK IC	
	or TMX320DSC24GHK IC	
IC8002	HY57653220BTC10 IC	

#	△ REF No.	PART No.	PART NAME, DESCRIPTION
C8024		NCBA1CK-103W	CAPACITOR 0.01μF,16V
C8025		NCBA1CK-103W	CAPACITOR 0.01μF,16V
C8026		NCBA1CK-103W	CAPACITOR 0.01μF,16V
C8301		NBE20JM-106X	T CAPACITOR 10μF,6.3V
C8305		NCBA1AK-104W	CAPACITOR 0.1μF,10V
C8306		NCBA1AK-104W	CAPACITOR 0.1μF,10V
C8307		NCBA1AK-104W	CAPACITOR 0.1μF,10V
C8310		NCBA1AK-104W	CAPACITOR 0.1μF,10V
C8311		NCBA1AK-104W	CAPACITOR 0.1μF,10V
C8501		NBE20JM-106X	T CAPACITOR 10μF,6.3V
C8502		NCBA1AK-104W	CAPACITOR 0.1μF,10V
C8503		NCBA1AK-104W	CAPACITOR 0.1μF,10V
C8504		NCBA1AK-104W	CAPACITOR 0.1μF,10V
C8505		NCBA1AK-104W	CAPACITOR 0.1μF,10V
L8001		NQR0129-002X	FERRITE BEAD
L8002		NQR0129-002X	FERRITE BEAD
L8003		NQR0129-002X	FERRITE BEAD
L8004		NQR0129-002X	FERRITE BEAD
L8005		NQR0129-002X	FERRITE BEAD
L8006		NQR0006-001X	FERRITE BEAD
L8301		NQR0129-002X	FERRITE BEAD
L8501		NQR0129-002X	FERRITE BEAD
X8301		NAX0522-001X	RESONATOR
WR1		YU40017-040-1	THIN WIRE,JP8001-JP8002
CN8401		QGB0516M1-80X	CONNECTOR
CN8402		QGF0507F1-20X	FPC CONNECTOR

PRE/MDA BOARD ASSEMBLY <03>

PW	YB10303A-03	PRE/MDA BOARD ASSY
IC1601	BD6630KV	IC
IC1701	TA75W01FU	IC
IC1702	TA75W393FU	IC
IC3501	JCY0132	IC
IC3502	SN74AHC1G04K	IC
Q1601	UMC3N	DIGI TRANSISTOR
D1602	DAP222	DIODE
D1603	DAP222	DIODE
D1604	DAP222	DIODE
R1601	NRSA6AJ-681W	MG RESISTOR 680Ω,1/16W
R1602	NRSA6AJ-124W	MG RESISTOR 120kΩ,1/16W
R1603	NRSA6AJ-472W	MG RESISTOR 4.7kΩ,1/16W
R1604	NRSA6AJ-104W	MG RESISTOR 100kΩ,1/16W
R1605	NRV142F-R22X	CMF RESISTOR 0.22Ω,1/4W
R1606	NRSA6AJ-103W	MG RESISTOR 10kΩ,1/16W
R1609	NRV142F-R33X	CMF RESISTOR 0.33Ω,1/4W
R1610	NRSA6AJ-471W	MG RESISTOR 470Ω,1/16W
R1611	NRSA6AJ-471W	MG RESISTOR 470Ω,1/16W
R1612	NRSA6AJ-104W	MG RESISTOR 100kΩ,1/16W
R1613	NRSA6AJ-102W	MG RESISTOR 1kΩ,1/16W
R1614	NRSA6AJ-682W	MG RESISTOR 6.8kΩ,1/16W
R1615	NRSA6AJ-103W	MG RESISTOR 10kΩ,1/16W
R1616	NRSA6AJ-681W	MG RESISTOR 680Ω,1/16W
R1617	NRSA6AJ-224W	MG RESISTOR 220kΩ,1/16W
R1618	NRSA6AJ-154W	MG RESISTOR 150kΩ,1/16W
R1619	NRSA6AJ-223W	MG RESISTOR 22kΩ,1/16W
R1620	NRSA6AJ-103W	MG RESISTOR 10kΩ,1/16W
R1621	NRSA6AJ-103W	MG RESISTOR 10kΩ,1/16W
R1622	NRSA6AJ-103W	MG RESISTOR 10kΩ,1/16W

#	△ REF No.	PART No.	PART NAME, DESCRIPTION
R1624		NRVA6AD-123W	CMF RESISTOR 12kΩ,1/16W
R1625		NRSA6AJ-0R0W	MG RESISTOR 0Ω,1/16W
R1626		NRSA6AJ-0R0W	MG RESISTOR 0Ω,1/16W
R1627		NRSA6AJ-0R0W	MG RESISTOR 0Ω,1/16W
R1628		NRVA6AD-361W	CMF RESISTOR 360Ω,1/16W
R1629		NRSA6AJ-564W	MG RESISTOR 560kΩ,1/16W
R1630		NRSA6AJ-0R0W	MG RESISTOR 0Ω,1/16W
R1631		NRSA6AJ-0R0W	MG RESISTOR 0Ω,1/16W
R1632		NRSA6AJ-0R0W	MG RESISTOR 0Ω,1/16W
R1633		NRSA6AJ-0R0W	MG RESISTOR 0Ω,1/16W
R1634		NRSA6AJ-0R0W	MG RESISTOR 0Ω,1/16W
R1635		NRSA6AJ-472W	MG RESISTOR 4.7kΩ,1/16W
R1636		NRSA6AJ-123W	MG RESISTOR 12kΩ,1/16W
R1637		NRSA6AJ-124W	MG RESISTOR 120kΩ,1/16W
R1642		NRSA6AJ-0R0W	MG RESISTOR 0Ω,1/16W
R1644		NRSA6AJ-0R0W	MG RESISTOR 0Ω,1/16W
R1701		NRSA6AJ-823W	MG RESISTOR 82kΩ,1/16W
R1702		NRSA6AJ-222W	MG RESISTOR 2.2kΩ,1/16W
R1703		NRSA6AJ-222W	MG RESISTOR 2.2kΩ,1/16W
R1704		NRSA6AJ-222W	MG RESISTOR 2.2kΩ,1/16W
R1705		NRSA6AJ-222W	MG RESISTOR 2.2kΩ,1/16W
R1706		NRSA6AJ-823W	MG RESISTOR 82kΩ,1/16W
R1707		NRSA6AJ-103W	MG RESISTOR 10kΩ,1/16W
R1708		NRSA6AJ-124W	MG RESISTOR 120kΩ,1/16W
R1709		NRSA6AJ-103W	MG RESISTOR 10kΩ,1/16W
R1710		NRSA6AJ-124W	MG RESISTOR 120kΩ,1/16W
R1711		NRSA6AJ-102W	MG RESISTOR 1kΩ,1/16W
R1712		NRSA6AJ-102W	MG RESISTOR 1kΩ,1/16W
R1714		NRSA6AJ-0R0W	MG RESISTOR 0Ω,1/16W
R1715		NRSA6AJ-0R0W	MG RESISTOR 0Ω,1/16W
R3501		NRSA6AJ-471W	MG RESISTOR 470Ω,1/16W
R3502		NRSA6AJ-104W	MG RESISTOR 100kΩ,1/16W
R3503		NRSA6AJ-102W	MG RESISTOR 1kΩ,1/16W
R3504		NRVA6AD-241W	CMF RESISTOR 240Ω,1/16W
R3505		NRVA6AD-241W	CMF RESISTOR 240Ω,1/16W
R3506		NRVA6AD-241W	CMF RESISTOR 240Ω,1/16W
R3507		NRVA6AD-241W	CMF RESISTOR 240Ω,1/16W
R3508		NRSA6AJ-223W	MG RESISTOR 22kΩ,1/16W
R3510		NRSA6AJ-0R0W	MG RESISTOR 0Ω,1/16W
R3513		NRSA6AJ-393W	MG RESISTOR 39kΩ,1/16W
R3514		NRSA6AJ-682W	MG RESISTOR 6.8kΩ,1/16W
R3515		NRSA6AJ-0R0W	MG RESISTOR 0Ω,1/16W
R3517		NRSA6AJ-0R0W	MG RESISTOR 0Ω,1/16W
R3518		NRSA6AJ-560W	MG RESISTOR 56Ω,1/16W
C1601		NCBA1CK-103W	CAPACITOR 0.01μF,16V
C1602		NBE90JM-106X	T CAPACITOR 10μF,6.3V
C1603		NBE21AM-106X	T CAPACITOR 10μF,10V
C1605		NCBA1AK-104W	CAPACITOR 0.1μF,10V
C1606		NCBA1HK-152W	CAPACITOR 0.0015μF,50V
C1607		NCBA1AK-473W	CAPACITOR 0.047μF,10V
C1614		NBE21AM-106X	T CAPACITOR 10μF,10V
C1618		NCBA1HK-222W	CAPACITOR 0.0022μF,50V
C1619		NCBA1HK-222W	CAPACITOR 0.0022μF,50V
C1620		NCBA1HK-222W	CAPACITOR 0.0022μF,50V
C1621		NCB21AK-105X	CAPACITOR 1μF,10V
C1622		NCBA1CK-223W	CAPACITOR 0.022μF,16V
C1623		NCBA1AK-473W	CAPACITOR 0.047μF,10V
C1624		NCB31EK-103X	CAPACITOR 0.01μF,25V
C1625		NCBA1AK-473W	CAPACITOR 0.047μF,10V
C1626		NCBA1HK-331W	CAPACITOR 330pF,50V
C1627		NCBA1CK-822W	CAPACITOR 0.0082μF,16V
C1628		NCB21CK-224X	CAPACITOR 0.22μF,16V
C1632		NBE21AM-106X	T CAPACITOR 10μF,10V

#	△ REF No.	PART No.	PART NAME, DESCRIPTION	
C1633		NCF21CZ-684X	CAPACITOR	0.68μF,16V
C1635		NCBA1AK-104W	CAPACITOR	0.1μF,10V
C1641		NCB31AK-474X	CAPACITOR	0.47μF,10V
C1701		NCBA1AK-104W	CAPACITOR	0.1μF,10V
C1702		NCBA1AK-104W	CAPACITOR	0.1μF,10V
C3501		NCBA1CK-223W	CAPACITOR	0.022μF,16V
C3502		NCBA1AK-473W	CAPACITOR	0.047μF,10V
C3503		NCBA1AK-104W	CAPACITOR	0.1μF,10V
C3505		NCBA1AK-104W	CAPACITOR	0.1μF,10V
C3506		NCBA1AK-104W	CAPACITOR	0.1μF,10V
C3507		NCBA1AK-104W	CAPACITOR	0.1μF,10V
C3508		NBE20JM-106X	T CAPACITOR	10μF,6.3V
C3509		NCBA1AK-104W	CAPACITOR	0.1μF,10V
C3510		NBE20JM-106X	T CAPACITOR	10μF,6.3V
C3511		NCBA1AK-104W	CAPACITOR	0.1μF,10V
C3512		NCBA1AK-104W	CAPACITOR	0.1μF,10V
C3514		NCBA1CK-103W	CAPACITOR	0.01μF,16V
C3516		NCBA1AK-104W	CAPACITOR	0.1μF,10V
C3517		NDCA1EJ-221W	CAPACITOR	220pF,25V
C3519		NCBA1AK-104W	CAPACITOR	0.1μF,10V
C3520		NBE20JM-106X	T CAPACITOR	10μF,6.3V
C3522		NCBA1AK-473W	CAPACITOR	0.047μF,10V
C3523		NCBA1AK-473W	CAPACITOR	0.047μF,10V
C3524		NCBA1AK-473W	CAPACITOR	0.047μF,10V
C3525		NCBA1AK-104W	CAPACITOR	0.1μF,10V
C3526		NCBA1AK-104W	CAPACITOR	0.1μF,10V
C3527		NCBA1HK-102W	CAPACITOR	0.001μF,50V
C3528		NCBA1AK-104W	CAPACITOR	0.1μF,10V
C3529		NCBA1AK-104W	CAPACITOR	0.1μF,10V
C3530		NBE90JM-475X	T CAPACITOR	4.7μF,6.3V
C3531		NCBA1AK-104W	CAPACITOR	0.1μF,10V
C3532		NCBA1AK-104W	CAPACITOR	0.1μF,10V
C3533		NBE90JM-475X	T CAPACITOR	4.7μF,6.3V
L1601		NQL315M-1R0X	COIL	1.0μH
L3501		NQR0006-001X	FERRITE BEAD	
L3502		NQR0006-001X	FERRITE BEAD	
L3503		NQR0006-001X	FERRITE BEAD	
L3504		NQR0305-001X	FERRITE BEAD	
L3505		NQL302N-100X	COIL	10μH
CN401		QGB0404L1-80X	CONNECTOR	
CN402		QGF0517F1-08X	FPC CONNECTOR	
CN403		QGF0517F2-06X	FPC CONNECTOR	
CN404		QGF0517F1-11X	FPC CONNECTOR	
CN405		QGF0517F1-18X	FPC CONNECTOR	
CN406		QGF0517F2-16X	FPC CONNECTOR	
CN407		QGF0517F1-06X	FPC CONNECTOR	
OT1		LY30029-0J4A	SPACER(A)	
OT2		LY30029-0J5A	SPACER(A)	
OT3		LY43138-001A	SHEET(MDA)	
SD1		LY32011-001A	SHIELD CASE(PR)	

JUNCTION BOARD ASSEMBLY <04>

PW2	YB10352A2-04	JUNCTION BOARD ASSY
IC1101	BA10358F-XE	IC
Q1151	RPM-22PB	PHOTO TRANSISTOR
Q1161	DTC144EE	DIGI TRANSISTOR
	or UN9213J	DIGI TRANSISTOR
D1161	SML-110LT-X	LE DIODE

#	△ REF No.	PART No.	PART NAME, DESCRIPTION	
R1101		NRSA63J-333X	MG RESISTOR	33kΩ,1/16W
R1102		NRSA63J-472X	MG RESISTOR	4.7kΩ,1/16W
R1104		NRSA63J-105X	MG RESISTOR	1MΩ,1/16W
R1106		NRSA63J-105X	MG RESISTOR	1MΩ,1/16W
R1107		NRSA63J-103X	MG RESISTOR	10kΩ,1/16W
R1108		NRSA63J-472X	MG RESISTOR	4.7kΩ,1/16W
R1109		NRSA63J-103X	MG RESISTOR	10kΩ,1/16W
R1151		NRSA63J-302X	MG RESISTOR	3kΩ,1/16W
△ R1161		NRSA63J-102X	MG RESISTOR	1kΩ,1/16W
R1162		NRSA63J-391X	MG RESISTOR	390Ω,1/16W
C1101		NCB31CK-104X	CAPACITOR	0.1μF,16V
C1102		NCB31CK-223X	CAPACITOR	0.022μF,16V
C1103		NCB31CK-223X	CAPACITOR	0.022μF,16V
C1111		NCB30JK-105X	CAPACITOR	1μF,6.3V
C1112		NBE20JM-106X	T CAPACITOR	10μF,6.3V
C1113		NBE20JM-226X	T CAPACITOR	22μF,6.3V
C1114		NCB31EK-103X	CAPACITOR	0.01μF,25V
C1161		NCB31EK-103X	CAPACITOR	0.01μF,25V
L1101		NRSA02J-0R0X	MG RESISTOR	0Ω,1/10W
L1151		NRSA63J-0R0X	MG RESISTOR	0Ω,1/16W
BK1		LY32441-001A	BRACKET(JUNC)	
△ BT1161		QAB0025-001	LI BATTERY	
CN1101		QGF0512C1-16X	FPC CONNECTOR	
CN1102		QGF0512C1-08X	FPC CONNECTOR	
CN1103		QGA1001F1-03X	CONNECTOR	
CN1104		QGF0505F2-06X	FPC CONNECTOR	
CN1105		QGA1002F1-03X	CONNECTOR	
OT1		LY30029-0S5A	SPACER(A)	
OT2		LY30018-081A	SPECIAL SCREW,X2	
OT4		LY30029-0T6A	SPACER(A)	
SD1		LY43546-001A	SHIELD(JUNC)	

REG BOARD ASSEMBLY <05>

PW	YB10353A-01	REG BOARD ASSY,A
	YB10353A-02	REG BOARD ASSY,B,C,D,E,F,G
IC6101	BD9713KV	IC
△ Q6101	MCH3308	MOS FET
△ Q6103	MCH3308	MOS FET
Q6105	MCH3308	MOS FET
Q6106	MCH3308	MOS FET
Q6107	NDS352AP	MOS FET
Q6108	MCH3308	MOS FET
Q6109	HN1C01FU/G/-X	PAIR TRANSISTOR
	or PUMX1	PAIR TRANSISTOR
	or UMX1N	PAIR TRANSISTOR
	or XP4501	TRANSISTOR
Q6110	2SA1577/RS/-X	TRANSISTOR
Q6111	2SC4617/RS/-X	TRANSISTOR
Q6113	HN1A01FU/G/-X	PAIR TRANSISTOR
	or UMT1N	PAIR TRANSISTOR
	or XP4401	TRANSISTOR
	or PUMT1	PAIR TRANSISTOR
Q6114	2SC4617/RS/-X	TRANSISTOR
	or 2SD2216J/RS/-X	TRANSISTOR
D6101	CRS01	SB DIODE
D6102	CRS01	SB DIODE
D6103	CRS01	SB DIODE
D6104	CRS01	SB DIODE

#	△ REF No.	PART No.	PART NAME, DESCRIPTION
D6105		CRS01	SB DIODE
D6106		RB480Y	SB DIODE
D6108		RB480Y	SB DIODE
R6101		NRVA6AD-302W	CMF RESISTOR 3kΩ, 1/16W
R6102		NRVA6AD-243W	CMF RESISTOR 24kΩ, 1/16W
R6103		NRVA6AD-163W	CMF RESISTOR 16kΩ, 1/16W
R6104		NRVA6AD-153W	CMF RESISTOR 15kΩ, 1/16W
R6105		NRVA6AD-103W	CMF RESISTOR 10kΩ, 1/16W
R6106		NRVA6AD-623W	CMF RESISTOR 62kΩ, 1/16W
R6107		NRVA6AD-223W	CMF RESISTOR 22kΩ, 1/16W
R6108		NRVA6AD-123W	CMF RESISTOR 12kΩ, 1/16W
R6109		NRVA6AD-562W	CMF RESISTOR 5.6kΩ, 1/16W
R6110		NRVA6AD-473W	CMF RESISTOR 47kΩ, 1/16W
R6111		NRSA6AJ-472W	MG RESISTOR 4.7kΩ, 1/16W
R6112		NRVA6AD-563W	CMF RESISTOR 56kΩ, 1/16W
R6113		NRVA6AD-822W	CMF RESISTOR 8.2kΩ, 1/16W
R6114		NRVA6AD-683W	CMF RESISTOR 68kΩ, 1/16W
R6115		NRVA6AD-473W	CMF RESISTOR 47kΩ, 1/16W
R6116		NRVA6AD-433W	CMF RESISTOR 43kΩ, 1/16W
R6117		NRSA6AD-433W	MG RESISTOR 43kΩ, 1/16W
R6119		NRVA6AD-183W	CMF RESISTOR 18kΩ, 1/16W
R6120		NRSA6AJ-183W	MG RESISTOR 18kΩ, 1/16W
R6121		NRSA6AJ-183W	MG RESISTOR 18kΩ, 1/16W
R6122		NRVA6AD-473W	CMF RESISTOR 47kΩ, 1/16W
R6123		NRVA6AD-223W	CMF RESISTOR 22kΩ, 1/16W
R6124		NRVA6AD-123W	CMF RESISTOR 12kΩ, 1/16W
R6125		NRVA6AD-104W	CMF RESISTOR 100kΩ, 1/16W
R6126		NRVA6AD-103W	CMF RESISTOR 10kΩ, 1/16W
R6133		NRVA6AD-823W	CMF RESISTOR 82kΩ, 1/16W
R6134		NRVA6AD-753W	CMF RESISTOR 75kΩ, 1/16W
R6136		NRSA6AJ-333W	MG RESISTOR 33kΩ, 1/16W
R6137		NRSA6AJ-333W	MG RESISTOR 33kΩ, 1/16W
R6138		NRSA6AJ-102W	MG RESISTOR 1kΩ, 1/16W
R6139		NRSA6AJ-473W	MG RESISTOR 47kΩ, 1/16W
R6140		NRSA6AJ-273W	MG RESISTOR 27kΩ, 1/16W
R6141		NRSA6AJ-822W	MG RESISTOR 8.2kΩ, 1/16W
R6142		NRVA6AD-823W	CMF RESISTOR 82kΩ, 1/16W
R6143		NRVA6AD-513W	CMF RESISTOR 51kΩ, 1/16W
R6144		NRVA6AD-473W	CMF RESISTOR 47kΩ, 1/16W
R6145		NRSA6AJ-222W	MG RESISTOR 2.2kΩ, 1/16W
R6146		NRSA6AJ-272W	MG RESISTOR 2.7kΩ, 1/16W
C6101		NCB21CK-105X	CAPACITOR 1μF, 16V
C6102		NCBA1AK-104W	CAPACITOR 0.1μF, 10V
C6103		NCBA1HK-102W	CAPACITOR 0.001μF, 50V
C6104		NCBA1HK-561W	CAPACITOR 560pF, 50V
C6105		NCBA1HK-561W	CAPACITOR 560pF, 50V
C6106		NBP41CM-106X	T CAPACITOR 10μF, 16V
C6107		NCB21CK-105X	CAPACITOR 1μF, 16V
C6108		NDCA1HJ-101W	CAPACITOR 100pF, 50V
C6109		NDCA1HJ-150W	CAPACITOR 15pF, 50V
C6110		NCBA1HK-272W	CAPACITOR 0.0027μF, 50V
C6111		NCB21CK-105X	CAPACITOR 1μF, 16V
C6112		NCBA1HK-102W	CAPACITOR 0.001μF, 50V
C6113		NCBA1EK-472W	CAPACITOR 0.0047μF, 25V
C6114		NCBA1AK-104W	CAPACITOR 0.1μF, 10V
C6115		NCBA1CK-103W	CAPACITOR 0.01μF, 16V
C6116		NCBA1HK-102W	CAPACITOR 0.001μF, 50V
C6117		NCBA1CK-103W	CAPACITOR 0.01μF, 16V
C6118		NRSA63J-0R0X	MG RESISTOR 0Ω, 1/16W
C6119		NCBA1CK-223W	CAPACITOR 0.022μF, 16V
C6120		NCBA1CK-223W	CAPACITOR 0.022μF, 16V
C6121		NCBA1CK-223W	CAPACITOR 0.022μF, 16V
C6122		NCB31AK-224X	CAPACITOR 0.22μF, 10V

#	△ REF No.	PART No.	PART NAME, DESCRIPTION
C6123		NCB31CK-683X	CAPACITOR 0.068μF, 16V
C6124		NCB21CK-105X	CAPACITOR 1μF, 16V
C6125		NCB10JK-106X	CAPACITOR 10μF, 6.3V
C6126		NCB21CK-105X	CAPACITOR 1μF, 16V
C6127		NCB10JK-106X	CAPACITOR 10μF, 6.3V
C6128		NCB21CK-105X	CAPACITOR 1μF, 16V
C6129		NCB21CK-105X	CAPACITOR 1μF, 16V
C6131		NCB21CK-105X	CAPACITOR 1μF, 16V
C6132		NCB21CK-105X	CAPACITOR 1μF, 16V
C6134		NCB21CK-105X	CAPACITOR 1μF, 16V
C6135		NCB10JK-106X	CAPACITOR 10μF, 6.3V
C6136		NCB21CK-105X	CAPACITOR 1μF, 16V
C6137		NCB21CK-105X	CAPACITOR 1μF, 16V
C6138		NCB11EK-105X	CAPACITOR 1μF, 25V
C6139		NCB11EK-105X	CAPACITOR 1μF, 25V
C6140		NCB11EK-105X	CAPACITOR 1μF, 25V
C6141		NCB11EK-105X	CAPACITOR 1μF, 25V
C6142		NCB21CK-105X	CAPACITOR 1μF, 16V
C6143		NCB21CK-105X	CAPACITOR 1μF, 16V
C6144		NCBA1AK-104W	CAPACITOR 0.1μF, 10V
C6145		NCB21CK-105X	CAPACITOR 1μF, 16V
C6146		NCB21CK-105X	CAPACITOR 1μF, 16V
L6101		NQLZ011-4R7X	COIL 4.7μH
L6102		NQLZ011-4R7X	COIL 4.7μH
L6103		NQLZ010-390X	COIL 39μH
L6107		NQLZ011-390X	COIL 39μH
L6108		NQLZ011-470X	COIL 47μH
L6109		NQLZ011-470X	COIL 47μH
L6110		NQLZ011-390X	COIL 39μH
L6111		NQL144K-220X	COIL 22μH
L6112		NQLZ011-221X	COIL 220μH
CN601		QGB0507M1-80X	CONNECTOR
CN602		QGF0505F2-12X	FPC CONNECTOR
△ F6101		NMFZ007-2R0X-K	FUSE T2.0A, 50V
△ F6102		NMFZ007-2R0X-K	FUSE T2.0A, 50V
△ F6103		NMFZ007-1R0X-K	FUSE T1.0A, 50V

MONITOR BOARD ASSEMBLY <06>

PW	YB10354B	MONITOR BOARD ASSY
IC7301	CXA3268AR-B	IC
IC7302	AT25040N-10SC-X	IC
	or 25LC040-I/SN-X	IC
IC7401	CXA3503R-B	IC
IC7501	TL1451CPW	IC
	or TL1451ACPW	IC
IC7502	TC7SH04FU	IC(DIGITAL)
	or SN74AHC1G04K	IC
IC7503	TA75S393F	IC
Q7301	2SA1774/QR/-X	TRANSISTOR
Q7302	2SA1577/QR/-X	TRANSISTOR
Q7303	DTC144EE	DIGI TRANSISTOR
	or UN9213J	DIGI TRANSISTOR
	or RN1104	DIGI TRANSISTOR
Q7304	2SC4617/QR/-X	TRANSISTOR
	or 2SC4738/YG/-X	TRANSISTOR
Q7305	2SA1774/QR/-X	TRANSISTOR
	or 2SA1832/YG/-X	TRANSISTOR
Q7306	2SC4617/QR/-X	TRANSISTOR

#	△ REF No.	PART No.	PART NAME, DESCRIPTION		#	△ REF No.	PART No.	PART NAME, DESCRIPTION	
		or 2SC4738/YG/-X	TRANSISTOR		R7509		NRS181J-335X	MG RESISTOR	3.3MΩ,1/8W
Q7307		2SA1774/QR/-X	TRANSISTOR		R7510		NRSA63J-223X	MG RESISTOR	22kΩ,1/16W
		or 2SA1832/YG/-X	TRANSISTOR		R7511		NRSA63J-751X	MG RESISTOR	750Ω,1/16W
Q7401		2SA1774/QR/-X	TRANSISTOR		R7512		NRSA63J-822X	MG RESISTOR	8.2kΩ,1/16W
		or 2SA1832/YG/-X	TRANSISTOR		R7513		NRSA63J-273X	MG RESISTOR	27kΩ,1/16W
Q7501		UMD3N	DIGI TRANSISTOR		R7514		NRSA63J-124X	MG RESISTOR	120kΩ,1/16W
		or XP4311	TRANSISTOR		R7515		NRSA63J-151X	MG RESISTOR	150Ω,1/16W
Q7502		SSM3K01F	MOS FET		R7516		NRSA63J-151X	MG RESISTOR	150Ω,1/16W
Q7503		2SC4617/QR/-X	TRANSISTOR		R7517		NRSA63J-122X	MG RESISTOR	1.2kΩ,1/16W
Q7504		XP6401	TRANSISTOR		R7518		NRSA63J-332X	MG RESISTOR	3.3kΩ,1/16W
D7301		MA365	VARI CAP DIODE		R7519		NRSA63J-163X	MG RESISTOR	16kΩ,1/16W
D7302		UDZ2.7B	ZENER DIODE		R7520		NRSA63J-393X	MG RESISTOR	39kΩ,1/16W
D7303		UDZ4.3B	ZENER DIODE		R7521		NRVA63D-153X	CMF RESISTOR	15kΩ,1/16W
D7401		MA365	VARI CAP DIODE		R7523		NRVA63D-184X	CMF RESISTOR	180kΩ,1/16W
D7501		MA142WK	DIODE		R7524		NRVA63D-114X	CMF RESISTOR	110kΩ,1/16W
D7502		MA111	DIODE		R7525		NRSA63J-333X	MG RESISTOR	33kΩ,1/16W
R7301		NRSA63J-271X	MG RESISTOR	270Ω,1/16W	R7526		NRSA63J-221X	MG RESISTOR	220Ω,1/16W
R7302		NRSA63J-102X	MG RESISTOR	1kΩ,1/16W	R7530		NRSA63J-272X	MG RESISTOR	2.7kΩ,1/16W
R7303		NRVA63D-333X	CMF RESISTOR	33kΩ,1/16W	C7301		NCB21CK-105X	CAPACITOR	1μF,16V
R7304		NRVA63D-153X	CMF RESISTOR	15kΩ,1/16W	C7302		NCB31CK-104X	CAPACITOR	0.1μF,16V
R7305		NRSA63J-100X	MG RESISTOR	10Ω,1/16W	C7303		NBE20JM-226X	T CAPACITOR	22μF,6.3V
R7306		NRSA63J-100X	MG RESISTOR	10Ω,1/16W	C7304		NCB31EK-103X	CAPACITOR	0.01μF,25V
R7307		NRSA63J-100X	MG RESISTOR	10Ω,1/16W	C7305		NCB21CK-105X	CAPACITOR	1μF,16V
R7316		NRSA63J-472X	MG RESISTOR	4.7kΩ,1/16W	C7306		NCB21CK-105X	CAPACITOR	1μF,16V
R7320		NRSA63J-473X	MG RESISTOR	47kΩ,1/16W	C7307		NCB21CK-105X	CAPACITOR	1μF,16V
R7321		NVP0016-473X	TRIM RESISTOR		C7308		NBP41CM-106X	T CAPACITOR	10μF,16V
R7322		NRSA63J-0R0X	MG RESISTOR	0Ω,1/16W	C7309		NCB21CK-105X	CAPACITOR	1μF,16V
R7323		NRSA63J-333X	MG RESISTOR	33kΩ,1/16W	C7310		NCB31CK-104X	CAPACITOR	0.1μF,16V
R7324		NRSA63J-103X	MG RESISTOR	10kΩ,1/16W	C7311		NBP41DM-106X	T CAPACITOR	10μF,20V
R7325		NRSA63J-102X	MG RESISTOR	1kΩ,1/16W	C7312		NCB31CK-104X	CAPACITOR	0.1μF,16V
R7326		NRSA63J-103X	MG RESISTOR	10kΩ,1/16W	C7313		NCB31CK-104X	CAPACITOR	0.1μF,16V
R7330		NRSA63J-103X	MG RESISTOR	10kΩ,1/16W	C7314		NBE20GM-476X	T CAPACITOR	47μF,4.0V
R7331		NRSA63J-472X	MG RESISTOR	4.7kΩ,1/16W	C7315		NCB31CK-104X	CAPACITOR	0.1μF,16V
R7332		NRSA63J-100X	MG RESISTOR	10Ω,1/16W	C7316		NCB21CK-105X	CAPACITOR	1μF,16V
R7333		NRSA63J-223X	MG RESISTOR	22kΩ,1/16W	C7317		NCB31CK-104X	CAPACITOR	0.1μF,16V
R7334		NRSA63J-223X	MG RESISTOR	22kΩ,1/16W	C7318		NCB31CK-104X	CAPACITOR	0.1μF,16V
R7335		NRSA63J-103X	MG RESISTOR	10kΩ,1/16W	C7319		NCB31CK-104X	CAPACITOR	0.1μF,16V
R7336		NRSA63J-473X	MG RESISTOR	47kΩ,1/16W	C7320		NDC31HJ-300X	CAPACITOR	30pF,50V
R7401		NRSA63J-271X	MG RESISTOR	270Ω,1/16W	C7321		NCB31HK-102X	CAPACITOR	0.001μF,50V
R7402		NRSA63J-102X	MG RESISTOR	1kΩ,1/16W	C7322		NCB31EK-103X	CAPACITOR	0.01μF,25V
R7403		NRVA63D-333X	CMF RESISTOR	33kΩ,1/16W	C7323		NCB31HK-682X	CAPACITOR	0.0068μF,50V
R7404		NRVA63D-153X	CMF RESISTOR	15kΩ,1/16W	C7324		NCB11AK-335X	CAPACITOR	3.3μF,10V
R7405		NRSA63J-100X	MG RESISTOR	10Ω,1/16W	C7330		NCB21CK-105X	CAPACITOR	1μF,16V
R7406		NRSA63J-100X	MG RESISTOR	10Ω,1/16W	C7331		NCB10JK-106X	CAPACITOR	10μF,6.3V
R7407		NRSA63J-100X	MG RESISTOR	10Ω,1/16W	C7332		NCB21CK-105X	CAPACITOR	1μF,16V
R7416		NRSA63J-472X	MG RESISTOR	4.7kΩ,1/16W	C7333		NCB21CK-105X	CAPACITOR	1μF,16V
R7417		NRVA63D-562X	CMF RESISTOR	5.6kΩ,1/16W	C7335		NCB31CK-104X	CAPACITOR	0.1μF,16V
R7418		NRVA63D-562X	CMF RESISTOR	5.6kΩ,1/16W	C7336		NCB21CK-105X	CAPACITOR	1μF,16V
R7420		NRSA63J-393X	MG RESISTOR	39kΩ,1/16W	C7337		NCB21CK-105X	CAPACITOR	1μF,16V
R7421		NVP0016-473X	TRIM RESISTOR		C7338		NCB31EK-103X	CAPACITOR	0.01μF,25V
R7422		NRSA63J-752X	MG RESISTOR	7.5kΩ,1/16W	C7401		NCB21CK-105X	CAPACITOR	1μF,16V
R7423		NRSA63J-333X	MG RESISTOR	33kΩ,1/16W	C7402		NCB31CK-104X	CAPACITOR	0.1μF,16V
R7424		NRSA63J-103X	MG RESISTOR	10kΩ,1/16W	C7403		NBE20JM-226X	T CAPACITOR	22μF,6.3V
R7425		NRSA63J-102X	MG RESISTOR	1kΩ,1/16W	C7404		NCB31EK-103X	CAPACITOR	0.01μF,25V
R7426		NRSA63J-103X	MG RESISTOR	10kΩ,1/16W	C7405		NCB21CK-105X	CAPACITOR	1μF,16V
R7501		NRVA63D-103X	CMF RESISTOR	10kΩ,1/16W	C7406		NCB21CK-105X	CAPACITOR	1μF,16V
R7502		NRVA63D-123X	CMF RESISTOR	12kΩ,1/16W	C7407		NCB21CK-105X	CAPACITOR	1μF,16V
R7503		NRVA63D-334X	CMF RESISTOR	330kΩ,1/16W	C7408		NBP41CM-106X	T CAPACITOR	10μF,16V
R7504		NRSA63J-394X	MG RESISTOR	390kΩ,1/16W	C7410		NCB31CK-104X	CAPACITOR	0.1μF,16V
R7505		NRSA63J-562X	MG RESISTOR	5.6kΩ,1/16W	C7411		NBP41DM-106X	T CAPACITOR	10μF,20V
R7506		NRSA63J-183X	MG RESISTOR	18kΩ,1/16W	C7412		NCB31CK-104X	CAPACITOR	0.1μF,16V
R7507		NRSA63J-472X	MG RESISTOR	4.7kΩ,1/16W	C7413		NCB31CK-104X	CAPACITOR	0.1μF,16V
R7508		NRS181J-335X	MG RESISTOR	3.3MΩ,1/8W	C7414		NBE20GM-476X	T CAPACITOR	47μF,4.0V

#	△ REF No.	PART No.	PART NAME, DESCRIPTION
C7415		NCB31CK-104X	CAPACITOR 0.1μF,16V
C7416		NCB21CK-105X	CAPACITOR 1μF,16V
C7417		NCB31CK-104X	CAPACITOR 0.1μF,16V
C7418		NCB31CK-104X	CAPACITOR 0.1μF,16V
C7419		NCB31CK-104X	CAPACITOR 0.1μF,16V
C7420		NDC31HJ-300X	CAPACITOR 30pF,50V
C7421		NDC31HJ-221X	CAPACITOR 220pF,50V
C7422		NCB31EK-103X	CAPACITOR 0.01μF,25V
C7423		NCB31HK-682X	CAPACITOR 0.0068μF,50V
C7424		NCB11AK-335X	CAPACITOR 3.3μF,10V
C7425		NCB31EK-103X	CAPACITOR 0.01μF,25V
C7501		NCB31CK-104X	CAPACITOR 0.1μF,16V
C7502		NCB10JK-106X	CAPACITOR 10μF,6.3V
C7503		NCB11AK-335X	CAPACITOR 3.3μF,10V
C7504		NBP41CM-106X	T CAPACITOR 10μF,16V
C7505		NCB31EK-103X	CAPACITOR 0.01μF,25V
C7506		NBZ0012-685X	T CAPACITOR 6.8μF
C7507		NDC31HJ-331X	CAPACITOR 330pF,50V
C7508		NCB31CK-104X	CAPACITOR 0.1μF,16V
C7509		NBP21CM-685X	T CAPACITOR 6.8μF,16V
C7512		NCB31CK-104X	CAPACITOR 0.1μF,16V
L7301		NQL085J-3R3X	COIL 3.3μH
L7302		NQL315K-100X	COIL 10μH
L7303		NQL315K-220X	COIL 22μH
L7304		NQL315K-100X	COIL 10μH
L7401		NQL085J-100X	COIL 10μH
L7402		NQL315K-100X	COIL 10μH
L7501		NQL144K-220X	COIL 22μH
T7501		NQS0040-001X	SW TRANS
T7502		NAX0334-001	PIEZOELE TRANSF
CN7501		QGF0304F1-39X	FFC/FPC CONNECTOR
CN7502		QGF0517F1-24X	FPC CONNECTOR
△ F7501		NMFZ009-R50X-J1	FUSE T0.5A,32V

#	△ REF No.	PART No.	PART NAME, DESCRIPTION
R2825		NRSA63J-101X	MG RESISTOR 100Ω,1/16W
R2826		NRSA63J-101X	MG RESISTOR 100Ω,1/16W
R2828		NRSA63J-472X	MG RESISTOR 4.7kΩ,1/16W
R2829		NRSA63J-103X	MG RESISTOR 10kΩ,1/16W
R2831		NRSA63J-0R0X	MG RESISTOR 0Ω,1/16W
R2832		NRSA63J-0R0X	MG RESISTOR 0Ω,1/16W
R2833		NRSA63J-0R0X	MG RESISTOR 0Ω,1/16W
R2842		NQR0022-005X	FERRITE BEAD
R2861		NRSA63J-103X	MG RESISTOR 10kΩ,1/16W
R2862		NRSA63J-391X	MG RESISTOR 390Ω,1/16W
R2883		NRSA63J-0R0X	MG RESISTOR 0Ω,1/16W
C2801		NBE80JM-106X	T CAPACITOR 10μF,6.3V
C2821		NCB31EK-103X	CAPACITOR 0.01μF,25V
C2841		NCB31CK-683X	CAPACITOR 0.068μF,16V
C2842		NCB31CK-683X	CAPACITOR 0.068μF,16V
C2848		NCB31HK-472X	CAPACITOR 0.0047μF,50V
C2849		NCB31HK-472X	CAPACITOR 0.0047μF,50V
C2881		NCB31EK-103X	CAPACITOR 0.01μF,25V
C2882		NCB31EK-103X	CAPACITOR 0.01μF,25V
C2883		NCB31EK-103X	CAPACITOR 0.01μF,25V
L2801		NQR0006-001X	FERRITE BEAD
L2821		NQR0006-001X	FERRITE BEAD
L2841		NQR0251-004X	FERRITE BEAD
L2842		NQR0251-004X	FERRITE BEAD
L2843		NQR0251-004X	FERRITE BEAD
L2844		NQR0251-004X	FERRITE BEAD
L2845		NQR0251-004X	FERRITE BEAD
J301		NNZ0056-001X	D CONNECTOR
J302		QNS0012-001	3.5 JACK
J303		QNS0078-001	3.5 JACK
CN301		QGF0301F1-45X	FPC CONNECTOR
CN302		NNZ0062-001X	SD CARD CONNECTOR
CN303		QGF0501F1-11X	FPC CONNECTOR
CN304		QGA1201F2-02X	CONNECTOR

JACK BOARD ASSEMBLY <07>

PW1	YB10352A1-04	JACK BOARD ASSY
IC2822	TC7S04FU	IC(DIGITAL)
	or MC74HC1G04DF	IC
Q2821	2SC4617/QR/-X	TRANSISTOR
	or 2SD2216J/QR/-X	TRANSISTOR
D2821	UMZ6.8EN	ZENER DIODE
D2823	EMZ6.8N	ZENER DIODE
D2825	RB715F	SB DIODE
R2801	NRSA63J-220X	MG RESISTOR 22Ω,1/16W
R2802	NRSA63J-220X	MG RESISTOR 22Ω,1/16W
R2803	NRSA63J-220X	MG RESISTOR 22Ω,1/16W
R2804	NRSA63J-220X	MG RESISTOR 22Ω,1/16W
R2805	NRSA63J-473X	MG RESISTOR 47kΩ,1/16W
R2806	NRSA63J-473X	MG RESISTOR 47kΩ,1/16W
R2807	NRSA63J-473X	MG RESISTOR 47kΩ,1/16W
R2808	NRSA63J-473X	MG RESISTOR 47kΩ,1/16W
R2809	NRSA63J-473X	MG RESISTOR 47kΩ,1/16W
R2810	NRSA63J-473X	MG RESISTOR 47kΩ,1/16W
R2811	NRSA63J-473X	MG RESISTOR 47kΩ,1/16W
R2821	NRSA63J-101X	MG RESISTOR 100Ω,1/16W
R2822	NRSA63J-470X	MG RESISTOR 47Ω,1/16W
R2823	NRSA63J-101X	MG RESISTOR 100Ω,1/16W
R2824	NRSA63J-101X	MG RESISTOR 100Ω,1/16W

EJECT BOARD ASSEMBLY <08>

PW3	YB10352A3	EJECT BOARD ASSY
R2421	NRSA63J-103X	MG RESISTOR 10kΩ,1/16W
S2421	NSW0094-001X	DETECT SWITCH,OPEN/EJECT
CN2421	QGF0512C1-06X	FPC CONNECTOR
CN2422	QGF0505F2-06X	FPC CONNECTOR

DECK OPE. BOARD ASSEMBLY <09>

PW4	YB10352A4-01	DECK OPE. BOARD ASSY
R2432	NRSA63J-152X	MG RESISTOR 1.5kΩ,1/16W
R2433	NRSA63J-182X	MG RESISTOR 1.8kΩ,1/16W
R2434	NRSA63J-272X	MG RESISTOR 2.7kΩ,1/16W
R2437	NRSA63J-152X	MG RESISTOR 1.5kΩ,1/16W
R2438	NRSA63J-182X	MG RESISTOR 1.8kΩ,1/16W
R2439	NRSA63J-272X	MG RESISTOR 2.7kΩ,1/16W
R2440	NRSA63J-392X	MG RESISTOR 3.9kΩ,1/16W
C2431	NCB31EK-103X	CAPACITOR 0.01μF,25V
S2431	NSW0145-001X	TACT SWITCH,STOP/PROGRAM AE

#	△ REF No.	PART No.	PART NAME, DESCRIPTION
	S2432	NSW0145-001X	TACT SWITCH,REW/NIGHT
	S2433	NSW0145-001X	TACT SWITCH,PLAY/PAUSE/BACK LIGHT
	S2434	NSW0145-001X	TACT SWITCH,FF/FADE/WIPE
	S2435	NSW0145-001X	TACT SWITCH,TITLE
	S2436	NSW0145-001X	TACT SWITCH,D.SOUND
	S2437	NSW0145-001X	TACT SWITCH,INDEX
	S2438	NSW0145-001X	TACT SWITCH,NAVI/SELECT
	S2439	NSW0145-001X	TACT SWITCH,E-MAIL/INFO
	S2440	NSW0099-001X	SLIDE SWITCH,VIDEO/MEMORY
	S2441	NSW0167-001X	PUSH SWITCH,MONITOR OPEN
	CN2431	QGF0505F1-08X	FPC CONNECTOR

CCD BOARD ASSEMBLY <10>

PW	YB10349A-01	CCD BOARD ASSY	
Q5201	2SC3931/CD/-X	TRANSISTOR	
Q5202	2SC3931/CD/-X	TRANSISTOR	
Q5203	2SC4081/RS/-X	TRANSISTOR	
R5201	NRSA63J-103X	MG RESISTOR	10kΩ,1/16W
R5202	NRSA63J-123X	MG RESISTOR	12kΩ,1/16W
R5203	NRSA63J-122X	MG RESISTOR	1.2kΩ,1/16W
R5204	NRSA63J-472X	MG RESISTOR	4.7kΩ,1/16W
R5207	NRSA63J-103X	MG RESISTOR	10kΩ,1/16W
C5201	NCB31CK-104X	CAPACITOR	0.1μF,16V
C5202	NBE41AM-106X	T CAPACITOR	10μF,10V
C5203	NCB31HK-222X	CAPACITOR	0.0022μF,50V
C5204	NCB21EK-104X	CAPACITOR	0.1μF,25V
C5205	NCB31CK-104X	CAPACITOR	0.1μF,16V
C5207	NCF31EZ-104X	CAPACITOR	0.1μF,25V
C5209	NBP41DM-106X	T CAPACITOR	10μF,20V
WR1	WJR0018-001A	E-SH C WIRE C-F,MAIN CN101	

FE SW BOARD ASSEMBLY <11>

PW5	YB10352A5	FE SW BOARD ASSY	
S1181	NSW0173-001X	PUSH SWITCH,FOCUS	
S1182	NSW0173-001X	PUSH SWITCH,EXPOSURE	
CN1181	QGA1001F1-03X	CONNECTOR	

FRONT BOARD ASSEMBLY <12>

PW6	YB10352A6	FRONT BOARD ASSY	
R2411	NRSA63J-470X	MG RESISTOR	47Ω,1/16W
C2411	NCB31CK-104X	CAPACITOR	0.1μF,16V
C2412	NCB31EK-103X	CAPACITOR	0.01μF,25V
CN2411	QGF0505F2-06X	FPC CONNECTOR	
CN2412	QGA1001F1-03X	CONNECTOR	
CN2413	QGF0512C1-06X	FPC CONNECTOR	

△ REF No. PART No. PART NAME, DESCRIPTION *****

VF BL BOARD ASSEMBLY <13>

PW	YB10355A	VF BL BOARD ASSY	
Q7001	UMD3N	DIGI TRANSISTOR	
	or XP4311	TRANSISTOR	
Q7002	PUMX1	PAIR TRANSISTOR	
D7001	NSCW100A0/ST/-X	LE DIODE	
R7001	NRSA63J-332X	MG RESISTOR	3.3kΩ,1/16W
R7002	NRSA63J-561X	MG RESISTOR	560Ω,1/16W
R7003	NRSA63J-470X	MG RESISTOR	47Ω,1/16W
R7005	NRSA63J-333X	MG RESISTOR	33kΩ,1/16W
C7001	NCB31CK-104X	CAPACITOR	0.1μF,16V
C7002	NCB31CK-104X	CAPACITOR	0.1μF,16V
C7003	NCB31CK-104X	CAPACITOR	0.1μF,16V
CN7001	QGF0517F2-20X	FPC CONNECTOR	
CN7002	QGF0502F1-16X	FPC CONNECTOR	