

# PARTS LIST

## SAFETY PRECAUTION

Parts identified by the  $\triangle$  symbol are critical for safety. Replace only with specified part numbers.

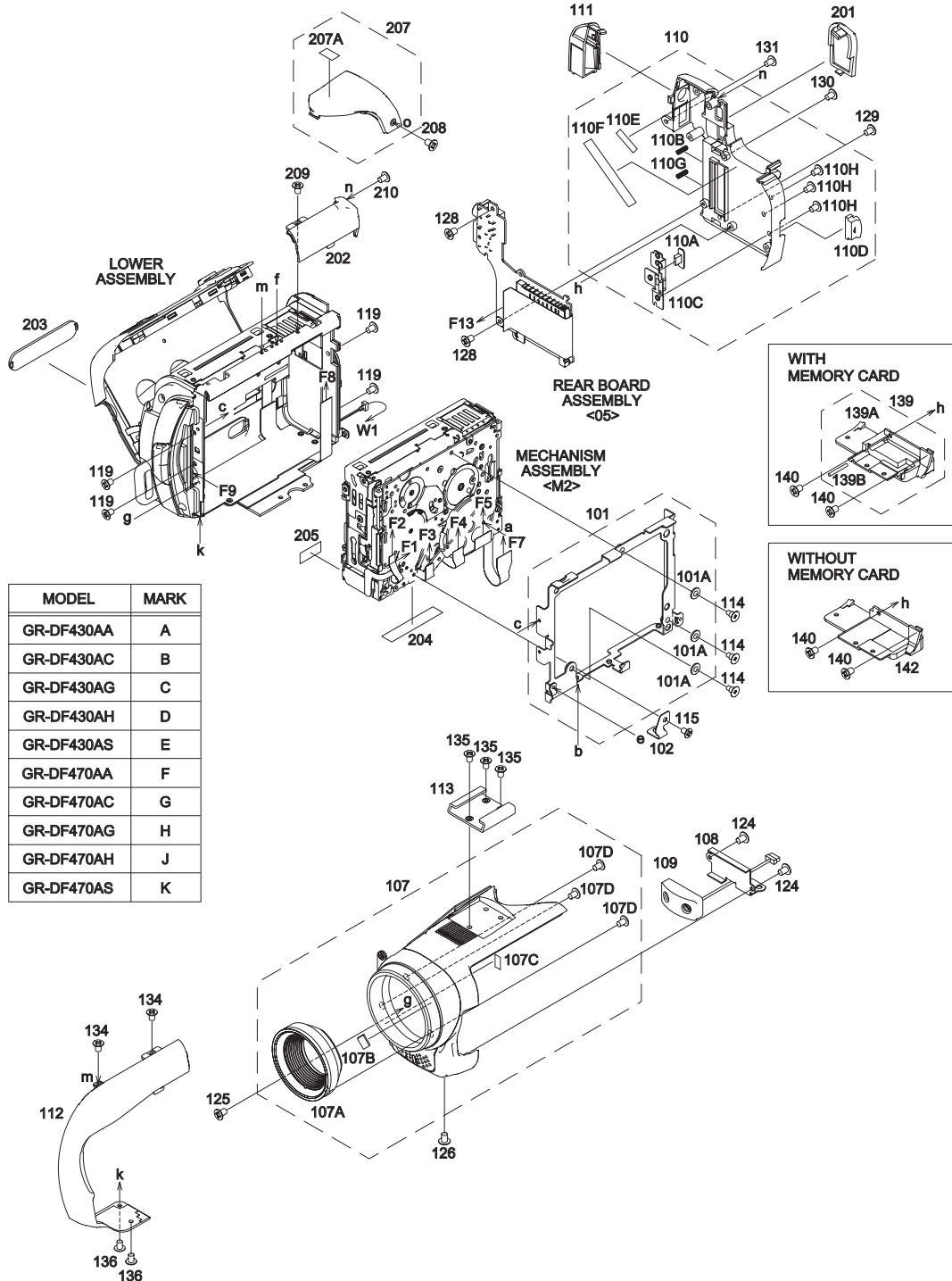
## BEWARE OF BOGUS PARTS

Parts that do not meet specifications may cause trouble in regard to safety and performance. We recommend that genuine JVC parts be used.

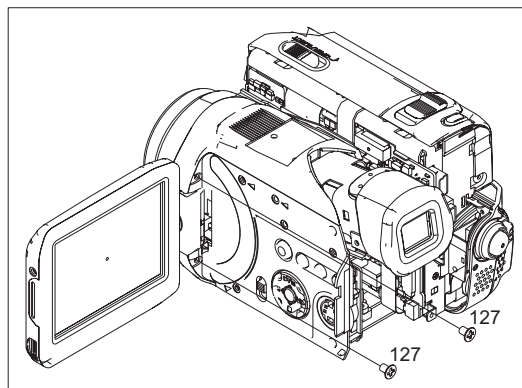
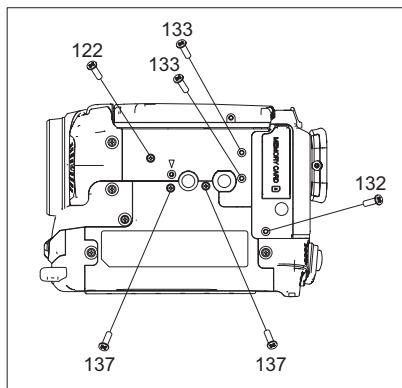
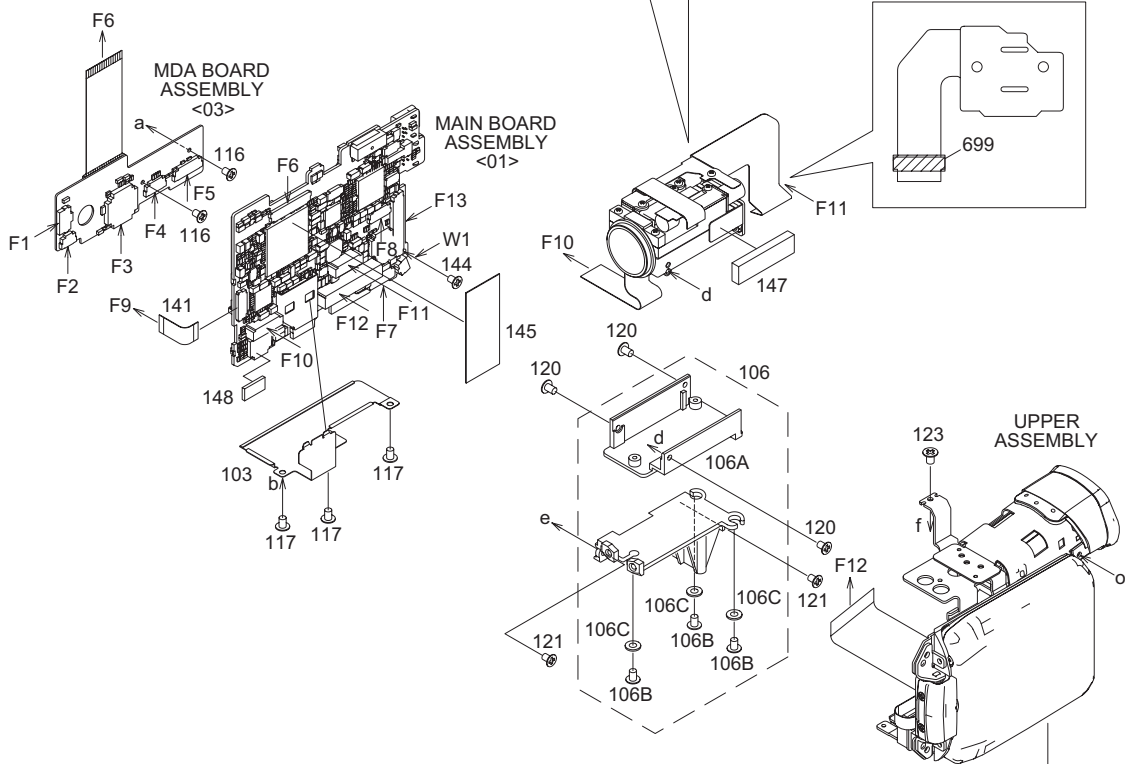
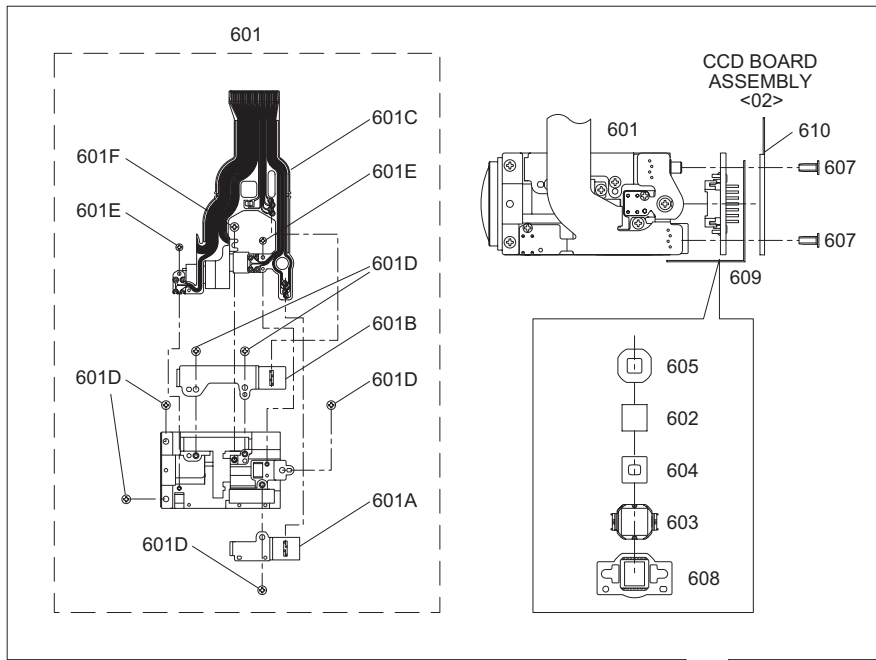
### 1. EXPLODED VIEW

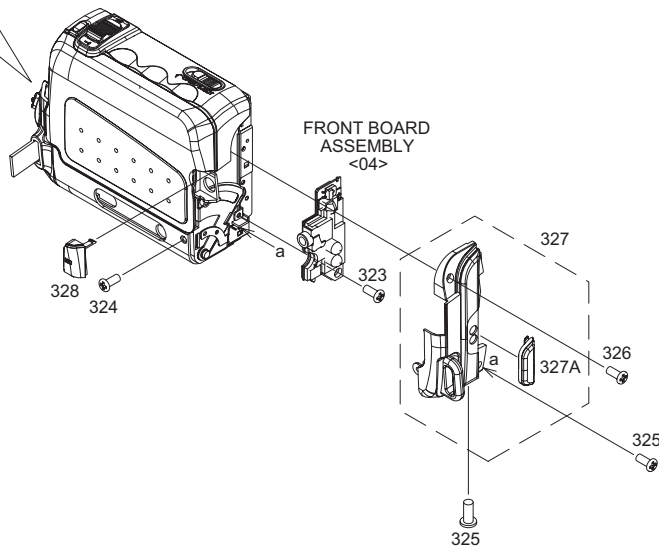
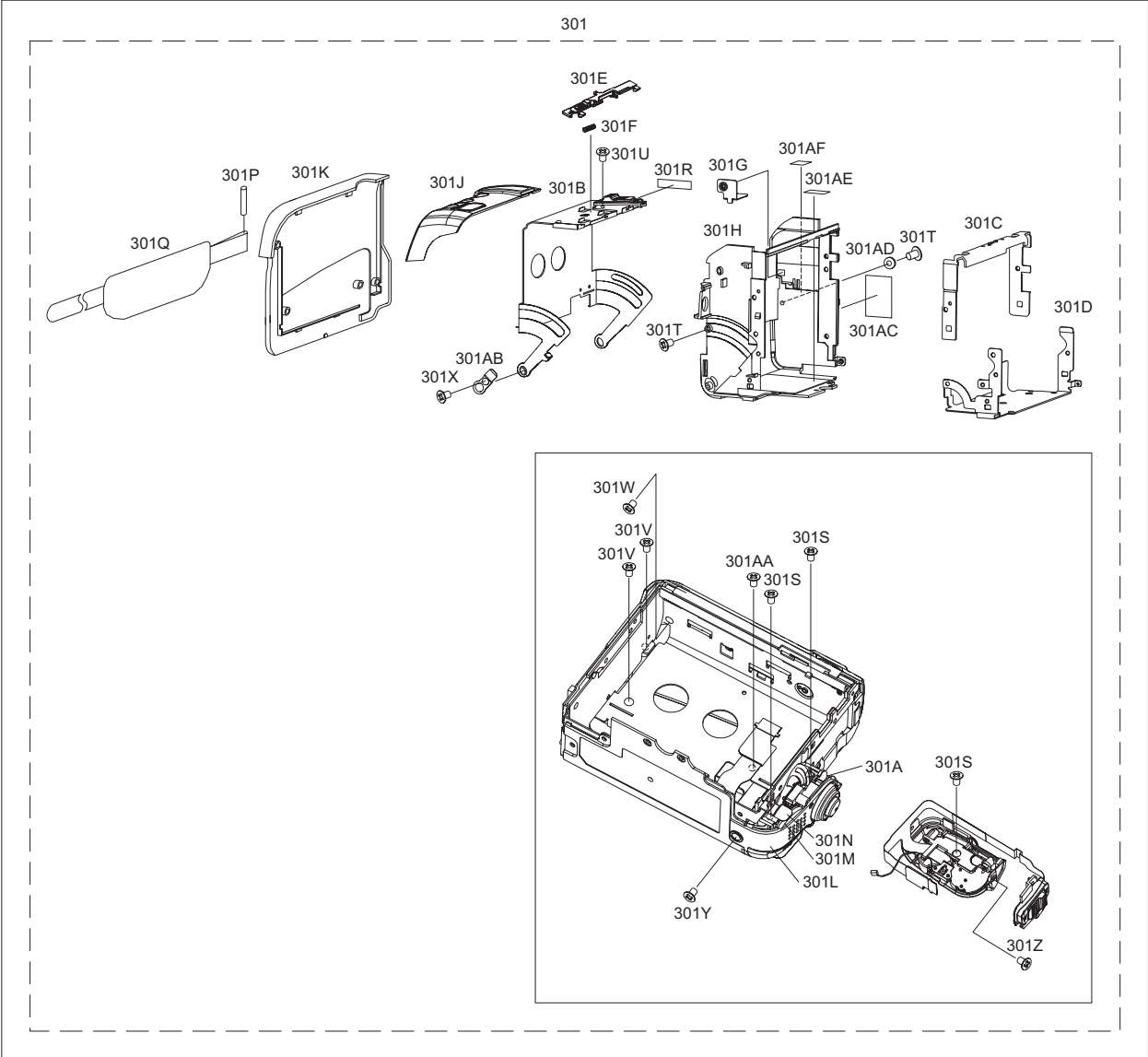
#### 1.1 FINAL ASSEMBLY<M1>

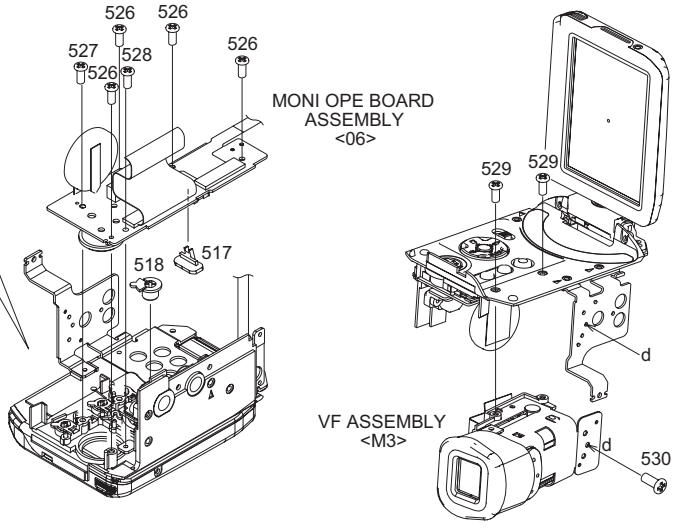
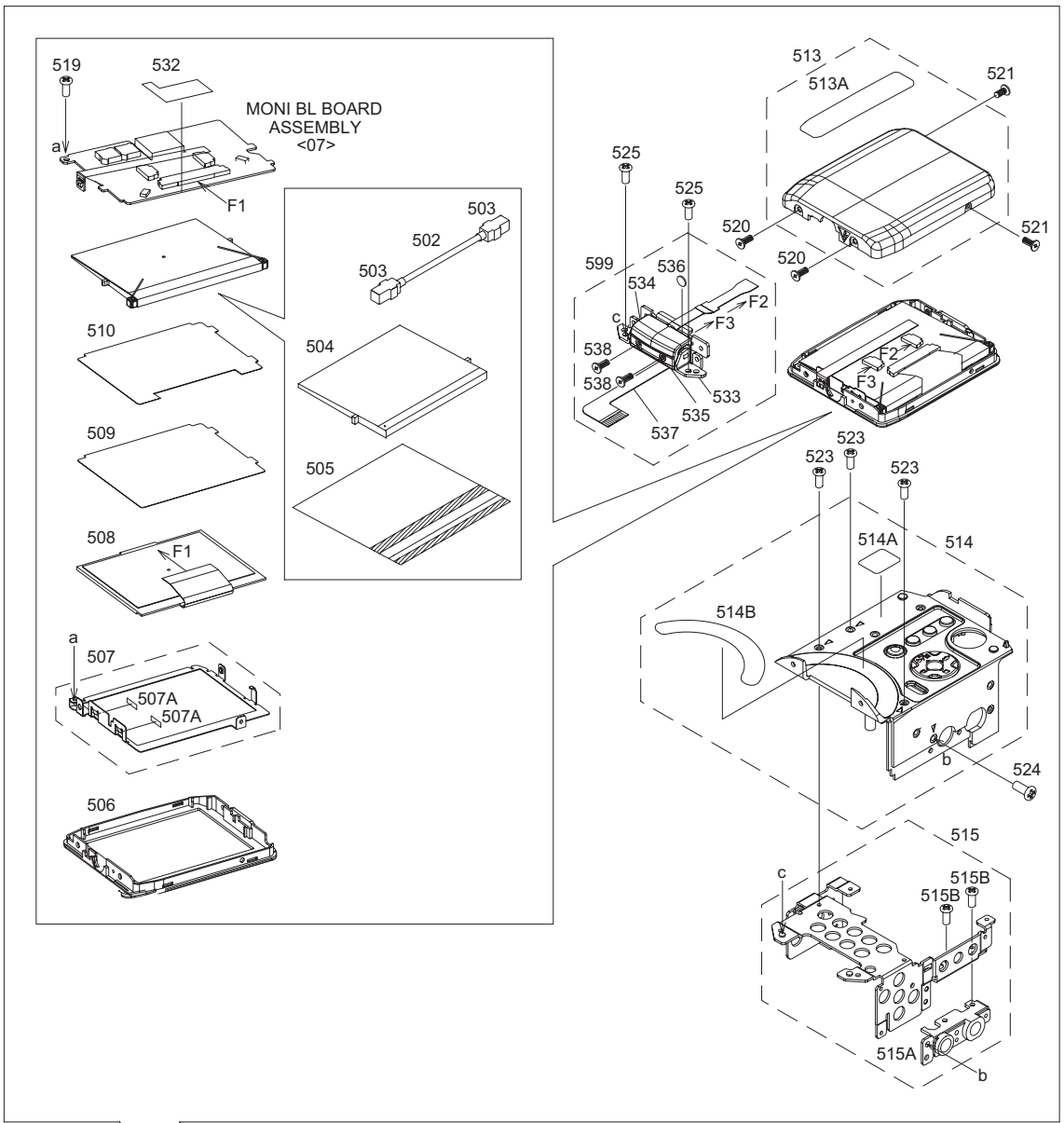
The instruction manual to be provided with this product will differ according to the destination.



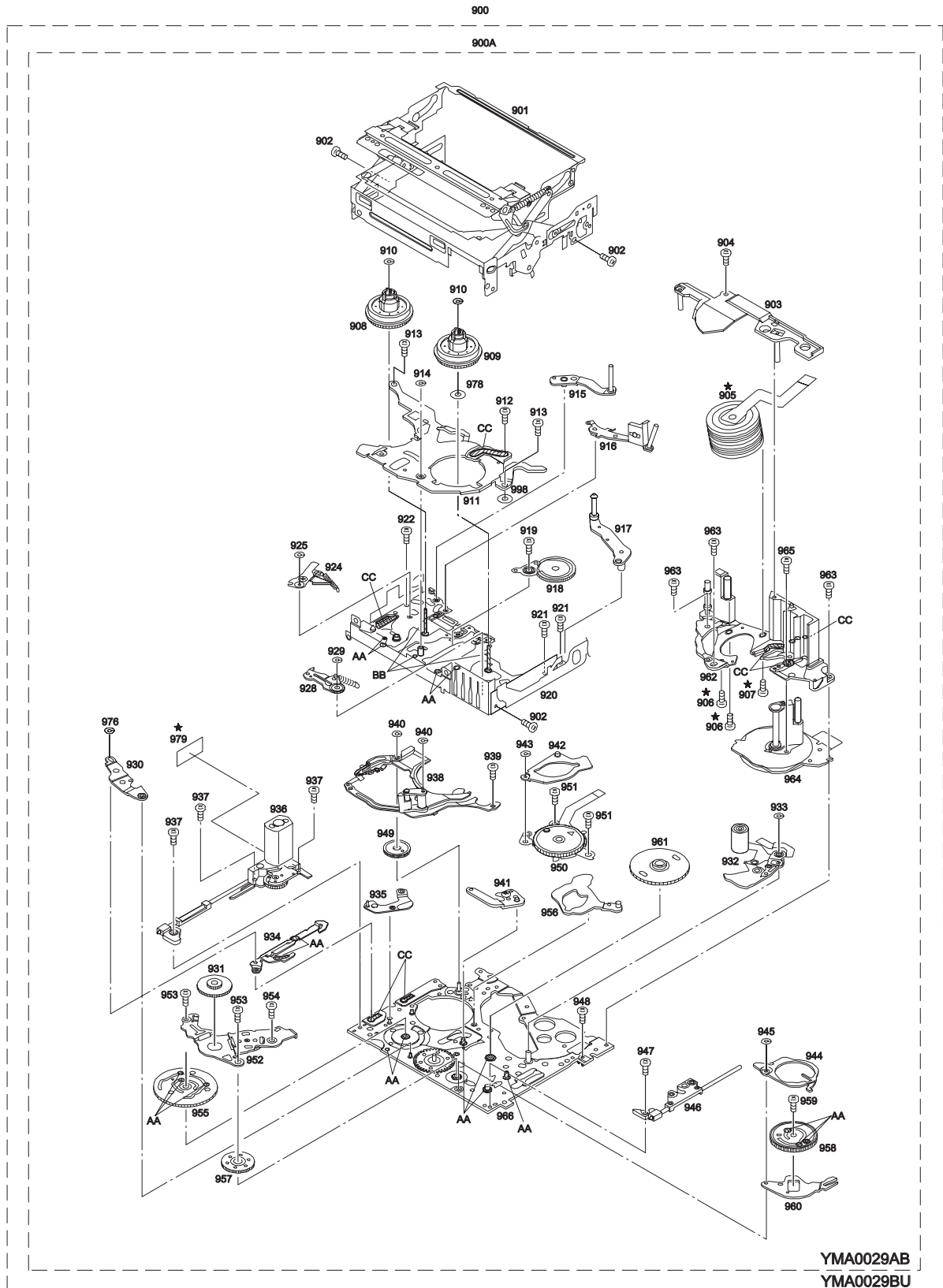
MODEL	MARK
GR-DF430AA	A
GR-DF430AC	B
GR-DF430AG	C
GR-DF430AH	D
GR-DF430AS	E
GR-DF470AA	F
GR-DF470AC	G
GR-DF470AG	H
GR-DF470AH	J
GR-DF470AS	K







## 1.2 MECHANISM ASSEMBLY<M2>



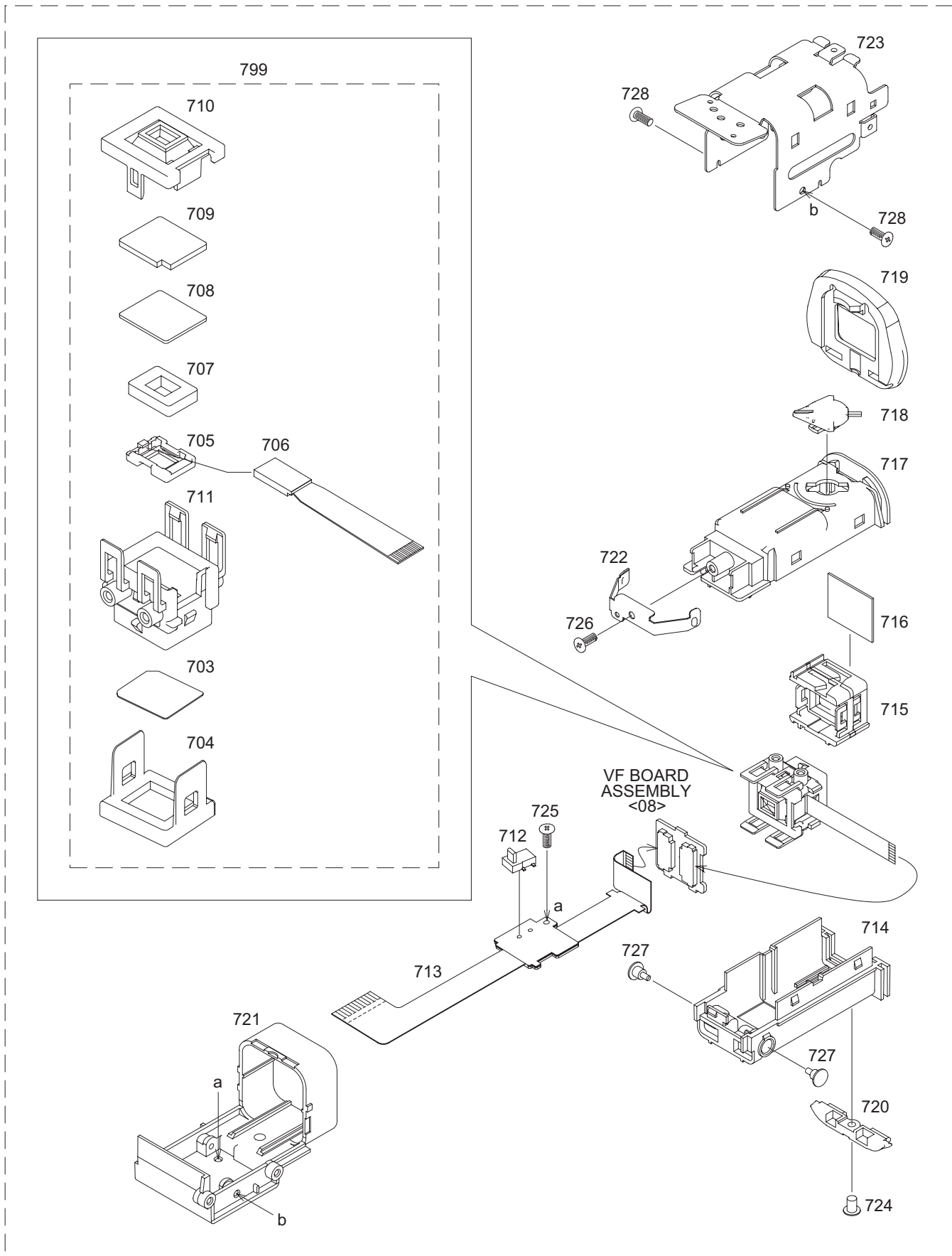
Classification	Part No.	Symbol in drawing
Grease	KYODO-SH-JB	AA
Oil	YTU94027	BB
Grease	JVS-306U	CC

NOTE1: The section marked in AA, BB and CC indicate lubrication and greasing areas.

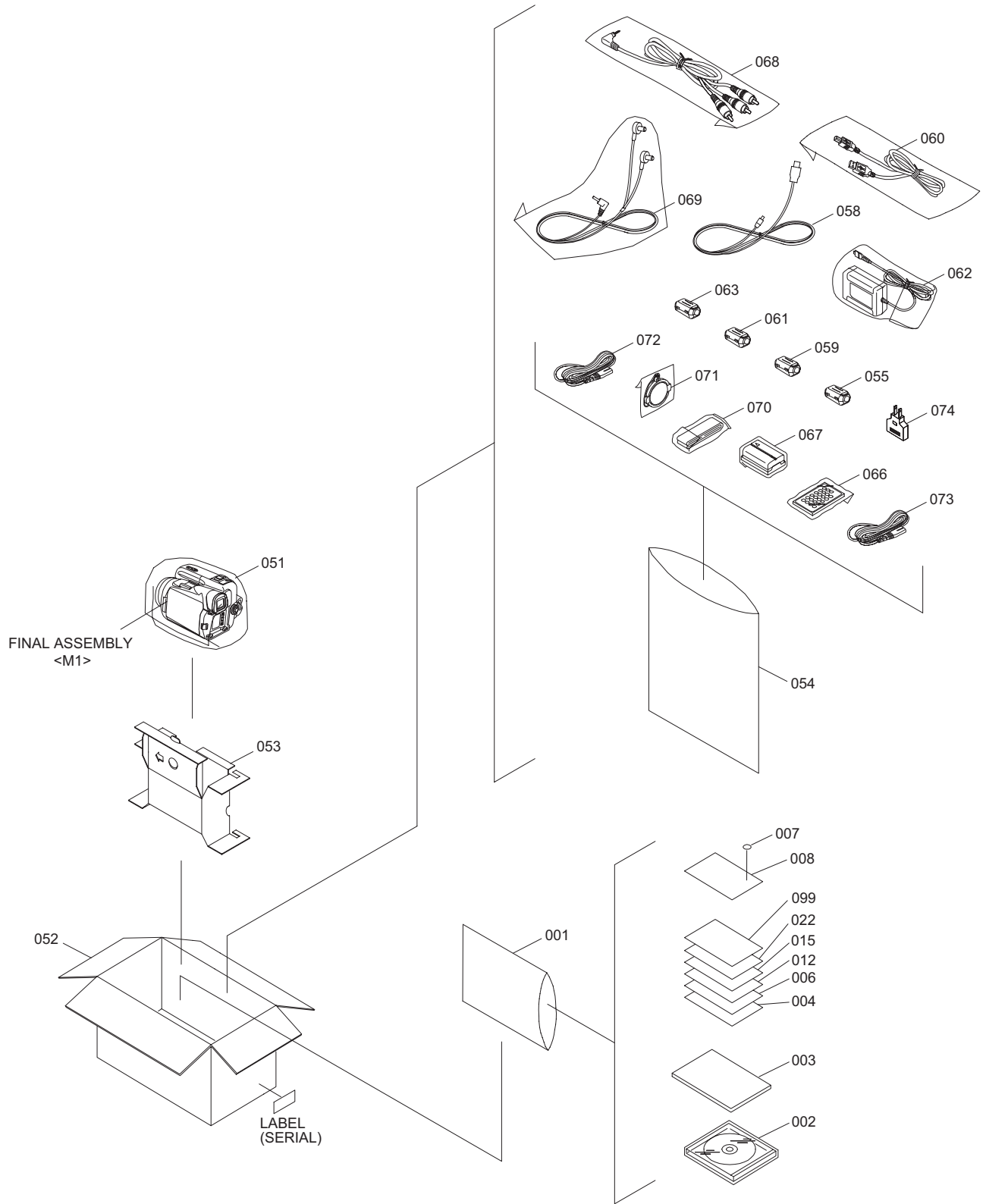
NOTE2: Mark ★ is not contained in 900A.

### 1.3 VF(COLOR) ASSEMBLY <M3>

700



# 1.5 PACKING AND ACCESSORY ASSEMBLY <M5>





MODEL	MARK	MODEL	MARK	MODEL	MARK
GR-DF430AA	A	GR-DF430AS	E	GR-DF470AH	J
GR-DF430AC	B	GR-DF470AA	F	GR-DF470AS	K
GR-DF430AG	C	GR-DF470AC	G		
GR-DF430AH	D	GR-DF470AG	H		

## 2. PARTS LIST

### FINAL ASSEMBLY <M1>

△ Symbol No.	Part No.	Part Name	Description	Local
101	LY34801-001B	BKT(MECHA)ASSY		
101A	LY42796-003A	BUSH	(x3)	
102	LY34174-001A	BKT(PRE-REC)		
103	LY34803-001A	SHIELD PLATE		
106	LY34796-001C	BKT ASSY(OP N-MG)		
106A	LY34798-001A	HOLDER(OP)		
106B	LY30032-021A	SPECIAL SCREW	(x3)	
106C	LY34799-001A	BUSH	(x3)	
107	LY34769-002D	FRONT COVER(N-MG)ASSY		A,B,C,D,E
107	LY34769-001E	FRONT COVER(N-MG)ASSY		F,G,H,J,K
107A	LY34771-001A	HOOD(NON-MEGA)		
107B	LY34935-001A	EARTH(PLATE)		
107C	LY30034-0R9A	SPACER(A)		
107D	LY30031-002A	SPECIAL SCREW	(x3)	
108	LY34776-001B	BRACKET(FRONT)		
109	LY34907-001B	MIC ASSY		
△ 110	LY34784-002C	REAR COVER ASSY		A,B,C,D,E
△ 110	LY34784-001D	REAR COVER ASSY		F,G,H,J,K
110A	LY34781-001B	KNOB(MONI.LOCK)		
110B	LY30002-063A	COMPRESSION SPRING		
110C	LY34915-001B	BKT(M.LOCK)ASSY		
110D	LY34783-001A	KNOB(B.LOCK)		
110E	LY34938-001A	BKT(R GND1)		
110F	LY34939-001A	BKT(R GND2)		
110G	LY30002-064A	COMPRESSION SPRING		
110H	LY30031-0D9A	SPECIAL SCREW	BKT-RCOV(x3)	
111	LY34786-001B	JACK COVER(DC)		
112	LY10571-001B	CENTER COVER		
113	LY34795-001A	SHOE		
114	LY30032-002A	SPECIAL SCREW	MECHA-BKT(x3)	
115	LY30031-015A	SPECIAL SCREW	BKTP/R-MEC	
116	LY30031-015A	SPECIAL SCREW	MDAPWB-MEC(x2)	
117	LY30031-041A	SPECIAL SCREW	SH.P/R-M.B(x3)	
119	LY30031-0E2A	SPECIAL SCREW	MBKT-B.ARM(x4)	
120	LY30031-023A	SPECIAL SCREW	OP-HOLD OP(x3)	
121	LY30031-0E2A	SPECIAL SCREW	OPBKT-MBKT(x2)	
122	LY30031-0A7A	SPECIAL SCREW	UPPER-OPBK	
123	LY30031-0E2A	SPECIAL SCREW	FRMUP-BARM	
124	QYSPSGT1750RA	TAP SCREW	BKT-FRONT M1.7 x 5mm(x2)	
125	LY30031-0E2A	SPECIAL SCREW	FRONT-BKTA	
126	LY30031-0E2A	SPECIAL SCREW	FRONT-FRMU	
127	LY30031-0A7A	SPECIAL SCREW	UPPER-FRT(x2)	
128	LY30031-0G8A	SPECIAL SCREW	RPWB-REAR(x2)	
129	LY30031-0E2A	SPECIAL SCREW	REAR-BBOTT	
130	LY30031-0J5A	SPECIAL SCREW	REAR-VF	
131	LY30031-0E2A	SPECIAL SCREW	REAR-LOWER	
132	LY30031-0E2A	SPECIAL SCREW	HOLDS-D-BKT	
133	LY30031-0E2A	SPECIAL SCREW	UPPER-REAR(x2)	
134	LY30031-0E2A	SPECIAL SCREW	CTR-BKTB(x2)	
135	LY30031-0H3A	SPECIAL SCREW	SHOE-FRMUP(x3)	
136	LY30031-0E2A	SPECIAL SCREW	CTR-BKTT(x2)	
137	LY30031-0H3A	SPECIAL SCREW	LOWER-BASE(x2)	
139	LY34860-001B	COVER(SD)ASSY		F,G,H,J,K
139A	LY34825-001B	HOLDER(SD)		F,G,H,J,K
139B	LY45015-001A	SHAFT		F,G,H,J,K
140	LY30031-0G8A	SPECIAL SCREW	HLDS-D-RCOV(x2)	
141	WJT0178-001A-E	E-CARD WIRE		
142	LY34780-001A	HOLDER(NON-SD)		A,B,C,D,E
144	LY30031-0E2A	SPECIAL SCREW	MAIN-MBKT	
145	LY34927-001A	HEAT SINK1	MAIN	
147	LY34928-001A	HEAT SINK2	OP	
148	LY30034-0V1A	SPACER(A)		
201	LY34787-001B	JACK COVER(DV)		
202	LY34794-001B	COVER(JIG CON)		
203	LY34765-001B	COVER(ADJ)		
204	LY32001-004A	LABEL(HOUSING)		
205	LY40699-002A	LABEL(PUSH)		
206	QAM0467-002	MEMORY CARD	MMC 8MB*	F,G,H,J,K
207	LY34859-001E	COVER(TOP)ASSY		
207A	LY45054-001A	SHEET(VF)		
208	LY30031-0E1A	SPECIAL SCREW	COVTOP-VF	
209	LY30031-0E2A	SPECIAL SCREW	COVJIG-VF	
210	LY30031-0J5A	SPECIAL SCREW	COVJIG-BKT	
300	LYH20869-002A	LOWER ASSY		A,B,C,D,E

△ Symbol No.	Part No.	Part Name	Description	Local
300	LYH20869-001A	LOWER ASSY		F,G,H,J,K
301	LY21364-004G	LOWER UNIT ASSY		A,B,C,D,E
301	LY21364-001H	LOWER UNIT ASSY		F,G,H,J,K
301A	LY21362-001C	POWER UNIT		
301B	LY10563-001C	ARM		
301C	LY21365-001A	BKT(ARM.TOP)		
301D	LY21366-001C	BKT(ARM.BOTTOM)		
301E	LY21367-001C	PLATE2(ARM LOCK)		
301F	LY30001-032A	TENSION SPRING		
301G	LY34852-001A	BKT LOWER		
301H	LY10564-001D	LOWER CASE		
301J	LY10565-001D	C.COVER(TOP)		A,B,C,D,E
301J	LY10565-004C	C.COVER(TOP)		F,G,H,J,K
301K	LY10566-001C	C.COVER(SIDE)		
301L	LY21369-001B	COVER(REAR)		
301M	QAS0284-001	SPEAKER		
301N	LY21370-001A	BKT(SPEAKER)		
301P	LY34767-001A	SHAFT(G.BELT)		
301Q	LY21393-001A	G. BELT ASSY		
301R	LY30034-0U1A	SPACER(A)	TO OPEZOOM	
301S	LY30031-022A	SPECIAL SCREW	BKTS-P-COVR(x3)	
301T	LY30031-011A	SPECIAL SCREW	ARM-L.CASE(x2)	
301U	LY30031-0F7A	SPECIAL SCREW	POWER-CTOP	
301V	LY30031-0G8A	SPECIAL SCREW	ARM-C.COV(x2)	
301W	LY30031-0G8A	SPECIAL SCREW	ARM-C.TOP	
301X	LY30031-0F7A	SPECIAL SCREW	BKT CL-ARM	
301Y	LY30031-0E2A	SPECIAL SCREW	C.RE-A.BOT	
301Z	LY30031-0F7A	SPECIAL SCREW	C.REA-BKTL	
301AA	LY30031-0G8A	SPECIAL SCREW	BKT-POWER	
301AB	LY34960-001A	BKT CLICK ARM		
301AC	LY30034-0U8A	SPECIAL SCREW	DENPA	
301AD	LY34949-001A	WASHER		
301AE	LY30034-051A	SPACER(A)	TO L.CASE	
301AF	LY30034-0W1A	SPACER(A)	TO L.CASE	
323	LY30031-0H6A	SPECIAL SCREW	F.PWB-LOW	
324	LY30031-0E2A	SPECIAL SCREW	BKTB-COVF	
325	LY30031-0E2A	SPECIAL SCREW	COVERF-BK(x2)	
326	LY30031-023A	SPECIAL SCREW	COVERF-LO	
327	LY21368-002D	COVER(FRONT)ASSY		A,B,C,D,E
327	LY21368-001D	COVER(FRONT)ASSY		F,G,H,J,K
327A	LY34777-001A	WINDOW(LED)		F,G,H,J,K
328	LY34778-001B	JACK COVER(MIC)		
△ 500	LYH20867-002A	UPPER ASSY		A,B,C,D,E
△ 500	LYH20867-001A	UPPER ASSY		F,G,H,J,K
502	QLL0170-001	LAMP		
503	LY34806-001A	HOLDER(LAMP)	(x2)	
504	LY44832-001A	LIGHT SCREEN		
505	LY44833-001A	SHEET(REFLECT)		
506	LY21375-001C	MONITOR CASE		
507	LY34804-001B	BRACKET(LCD)ASSY		
507A	LY44962-001A	SHEET(LCD BKT)	(x2)	
508	QLD0359-001	LCD MODULE		
509	LY44963-001A	SHEET(BEF)		
510	LY44964-001B	SHEET(DIFFUSION)		
△ 513	LY34855-002E	M.COVER ASSY		A,B,C,D,E
△ 513	LY34855-001E	M.COVER ASSY		F,G,H,J,K
513A	LY45013-002A	STICKER		A,B,C,D,E
513A	LY45013-001A	STICKER		F,G,H,J,K
514	LY34788-002B	UPPER CASE ASSY		A,B,C,D,E
514	LY34788-001C	UPPER CASE ASSY		F,G,H,J,K
514A	LY45017-001A	SHEET(CAUTION)		
514B	LY44980-001B	SHEET(PROTECT)		
515	LY34793-001B	FRAME(UPPER)ASSY		
515A	LY33658-001C	BASE		
515B	LY30031-0A2A	SPECIAL SCREW	(x2)	
517	LY34792-001C	KNOB(VIDEO/DSC)		F,G,H,J,K
518	LY34791-001C	BUTTON(SET)		
519	LY30031-0H6A	SPECIAL SCREW	MONPW-BKT	
520	LY30031-013A	SPECIAL SCREW	MCOV-HINGE(x2)	
521	LY30031-0E2A	SPECIAL SCREW	MCOV-L.BKT(x2)	
523	LY30031-0E2A	SPECIAL SCREW	UPPER-FRMUP(x3)	
524	LY30031-0H3A	SPECIAL SCREW	UPPER-FRMUP	
525	LY30031-0G6A	SPECIAL SCREW	HINGE-FRMU(x2)	
526	LY30031-022A	SPECIAL SCREW	MOPE-UPPER(x4)	
527	LY30031-022A	SPECIAL SCREW	MOPE-UPPER	
528	LY30031-0E2A	SPECIAL SCREW	MOPE-FRMUP	
529	LY30031-023A	SPECIAL SCREW	UPPER-VF(x2)	



MODEL	MARK	MODEL	MARK	MODEL	MARK
GR-DF430AA	A	GR-DF430AS	E	GR-DF470AH	J
GR-DF430AC	B	GR-DF470AA	F	GR-DF470AS	K
GR-DF430AG	C	GR-DF470AC	G		
GR-DF430AH	D	GR-DF470AG	H		

△ Symbol No.	Part No.	Part Name	Description	Local
530	LY30031-0E2A	SPECIAL SCREW	VF-FRMUP	
532	LY44965-001B	SHIELD(LAMP)		
533	LY34808-001A	HINGE UNIT		
534	LY34809-002D	HINGE COVER(U)		A,B,C,D,E
534	LY34809-001E	HINGE COVER(U)		F,G,H,J,K
535	LY34810-001B	HINGE COVER(L)		
536	LY42355-001A	P.C.MAGNET		
537	QAL0686-001	FPC		
538	LY30031-0H3A	SPECIAL SCREW	HCOV-HINGE(x2)	
599	LY34807-002A	HINGE UNIT ASSY	FOR JVM SA A,B,C,D,E	
599	LY34807-001A	HINGE UNIT ASSY	FOR JVM SA F,G,H,J,K	
601	J4H-101A	OP BLOCK ASSY		
601A	LY44455-001A	J3H FOCUS MOTOR		
601B	LY44456-001A	J3H ZOOM MOTOR		
601C	LY44838-001A	J4H IRIS		
601D	QYSPSGU1430ZA	TAP SCREW	M1.4 x 3mm(x6)	
601E	LY44596-001A	SPECIAL SCREW	(x2)	
601F	LY44613-001A	SPECIAL SCREW		
602	LY44458-001A	OP LPF	NIHONDENP	
603	LY33816-001A	LPF HOLDER		
604	LY44461-001A	MASK		
605	LY44462-001B	SHEET		
607	LY44482-001B	SPECIAL SCREW	(x2)	
608	LYH30627-001A	CCD BASE ASSY		
609	LY34931-001A	BKT(HEAT SINK)		
610	LY34948-001A	SHIELD(CCD)	(x2)	
699	LY30034-0T9A	SPACER(A)	CCD PWB C,D,E,H,J,K	

**\*NOTE:**

DATA FILE is not contained in MEMORY CARD of the service part.

△ Symbol No.	Part No.	Part Name	Description	Local
944	LY32858-001B	EJECT LEVER		
945	YQ44246	SLIT WASHER		
946	LYH40271-001A	BASE R ASSY		
947	YQ43893	MINI SCREW		
948	LY41945-001C	MINI SCREW		
949	LY43665-001A	MODE GEAR		
950	QSW0876-005	ROTARY ENCODER		
951	YQ43893	MINI SCREW		(x2)
952	LY32860-001E	GEAR COVER ASSY		
953	YQ43893	MINI SCREW		(x2)
954	LY43675-007A	MINI SCREW		
955	LY43676-001B	MAIN CAM ASSY		
956	LY41941-001B	SLIDE ARM ASSY		
957	LY43678-001A	CONNECT GEAR 2		
958	LY43679-001C	SUB CAM ASSY		
959	LY42120-001B	MINI SCREW		
960	LY43692-001B	CONTROL ARM ASSY		
961	LY32859-001B	REEL GEAR 1		
962	LY31508-003G	DRUM BASE ASSY		
963	LY43675-006C	MINI SCREW		(x3)
964	QAR0156-002	CAPSTAN MOTOR		
965	YQ43893	MINI SCREW		
966	LY10367-001N	MAIN DECK ASSY		
976	YQ44246	SLIT WASHER		
978	LY44609-001A	WASHER		
979	LY44502-001A	SPACER	JVM/BJVC	
998	QYWFM163013	WASHER	3mm/1.6mm x 0.13mm	

**VF(COLOR) ASSEMBLY <M3>**

**MECHANISM ASSEMBLY <M2>**

△ Symbol No.	Part No.	Part Name	Description	Local
900	YMA0029BU	MECHA(A)ASSY	Y/E Y08265	
900A	YMA0029AB	MECHA(A)ASSY	JVM/BJVC	
901	LY32870-001Q	CASSETTEHOUSING ASSY		
902	LY43675-008A	MINI SCREW	(x3)	
903	LYH30420-001A	UPPER BASE ASSY		
904	QYSPSPU1425MA	SCREW	M1.4 x 2.5mm	
905	YDV2102L	DRUM ASSY	M/B SET022	
906	LY44533-001A	DAMP.SCREW ASSY	JVM/BJVC(x2)	
907	LY44533-002A	DAMP.SCREW ASSY		
908	LY31538-001G	REEL DISK ASSY		
909	LY31538-002J	REEL DISK ASSY		
910	YQ44246	SLIT WASHER	(x2)	
911	LY10372-001K	REEL COVER ASSY		
912	LY42120-002B	MINI SCREW		
913	LY41945-003B	MINI SCREW	(x2)	
914	YQ44246	SLIT WASHER		
915	LY43725-001G	TENSION ARM ASSY		
916	LYH40269-001A	SLANT POLE ARM ASSY		
917	LY43731-001G	TAKE UP ARM ASSY		
918	LY31531-001E	SWING ARM ASSY		
919	YQ43893-9	MINI SCREW		
920	LYH30424-001A	SLIDE DECK FINAL ASSY		
921	YQ43893	MINI SCREW	(x2)	
922	LY43023-001A	MINI SCREW		
924	LYH30419-001A	PAD ARM ASSY		
925	YQ44246	SLIT WASHER		
928	LYH40270-001A	TAKE UP BRAKE ASSY		
929	YQ44246	SLIT WASHER		
930	LY43684-001C	TENSION CONTROL LEVER ASSY		
931	LY32861-001B	CENTER GEAR		
932	LY31516-001J	PINCH ROLLER ARM FINAL ASSY		
933	YQ44246	SLIT WASHER		
934	LY43681-001B	TENSION CONTROL PLATE ASSY		
935	LY43687-001A	BRAKE CONTROL LEVER ASSY		
936	LYH30421-001A	MOTOR BRACKET ASSY		
937	YQ43893	MINI SCREW	(x3)	
938	LYH30422-001A	GUIDE RAIL ASSY		
939	YQ43893	MINI SCREW		
940	YQ44246	SLIT WASHER	(x2)	
941	LY32843-001J	SLIDE LEVER2 ASSY		
942	LY43690-001C	LOADING PLATE ASSY		
943	YQ44246	SLIT WASHER		

△ Symbol No.	Part No.	Part Name	Description	Local
700	LYH20868-001A	VF ASSY		
703	LY44845-001A	SHEET(POLA.2)		
704	LY34591-001A	STOPER(POLA)		
705	LY34584-001A	GUIDE(LCD)		
706	QLD0356-001	LCD MODULE		
707	LY44848-001B	CUSHION(LCD)		
708	LY44844-001A	SHEET(POLA.1)		
709	LY44846-001A	SHEET(DIFF)		
710	LY34590-001B	CASE(B.LIGHT)		
711	LY21395-001B	HOLDER(LCD)		
712	NSW0245-001X	LEVER SWITCH		
713	QAL0688-002	FPC		VF FPC
714	LY21378-001E	CASE(LOWER)		
715	LY44841-002A	LENS ASSY		
716	LY44970-001B	COVER(LENS)		
717	LY21379-001D	CASE(UPPER)		
718	LY34820-001B	KNOB(ADJ)		
719	LY34822-001B	EYE CAP		
720	LY34824-001A	HOLDER(EYE CAP)		
721	LY21380-001C	HOLDER(SW)		
722	LY34821-001A	PLATE(CLICK)		
723	LY34823-001B	GUIDE(VF)		
724	LY30031-022A	SPECIAL SCREW	HLDEC-CASL	
725	LY30031-031A	SPECIAL SCREW	PWB-HLDSW	
726	LY30031-031A	SPECIAL SCREW	PLTC-CASEU	
727	LY30032-025A	SPECIAL SCREW	CASEL-GVF(x2)	
728	LY30031-031A	SPECIAL SCREW	G.VF-HLDSW(x2)	
799	LY34815-001B	HOLDER(LCD)ASSY		

**PACKING AND ACCESSORY ASSEMBLY <M5>**

△ Symbol No.	Part No.	Part Name	Description	Local
001	LY34452-001A	POLY BAG	DOCUMENT	
002	LY32210-0A9A	CD ROM ASSY		F,G,H,J,K
△ 003	LYT1394-002A	INST BOOK(CH.S)	(CHINESE)	B,C,D,G,H,J
△ 003	LYT1394-001A	INST BOOK(EN)	(ENGLISH)	A,C,D,E,F,H,J
△ 003	LYT1394-003A	INST BOOK(RU)	(RUSSIAN)	E,K
△ 003	LYT1394-004A	INST BOOK(AR)	(ARABIC)	C,E,H,K
△ 003	LYT1394-005A	INST BOOK(GE)	(GERMAN)	E,K
△ 003	LYT1394-006A	INST BOOK(FR)	(FRENCH)	E,K

MODEL	MARK	MODEL	MARK	MODEL	MARK
GR-DF430AA	A	GR-DF430AS	E	GR-DF470AH	J
GR-DF430AC	B	GR-DF470AA	F	GR-DF470AS	K
GR-DF430AG	C	GR-DF470AC	G		
GR-DF430AH	D	GR-DF470AG	H		

△ Symbol No.	Part No.	Part Name	Description	Local
△ 003	LYT1394-007A	INST BOOK(PE)	(PERUSIAN)	E,K
004	LYT1387-015A	INST BOOK(SOFT.CH.S)	(SOFT.CHINESE)	G,H,J
004	LYT1387-001A	INST BOOK(SOFT.EN)	(SOFT.ENGLISH)	F,H,J,K
004	LYT1387-011A	INST BOOK(SOFT.RU)	(SOFT.RUSSIAN)	K
004	LYT1387-016A	INST BOOK(SOFT.AR)	(SOFT.ARABIC)	H,K
004	LYT1387-002A	INST BOOK(SOFT.GE)	(SOFT.GERMAN)	K
004	LYT1387-003A	INST BOOK(SOFT.FR)	(SOFT.FRENCH)	K
004	LYT1387-019A	INST BOOK(SOFT.PE)	(SOFT.PERUSIAN)	K
006	-----	WARRANTY CARD	BT-56012-1	A,F
007	BT-59020-1	SEAL		B,G
008	-----	WARRANTY CARD	BT-59019-1	B,G
012	LYT1412-009A	SHEET(HEAD.ASIA)		A,B,C,D,F,G,H,J
012	LYT1412-008A	SHEET(HEAD.AS)		E,K
015	BT-59021-4	SVC CENTER LIST		B,G
022	LYT1453-015A	SHEET(ATT.DVD)		G,H,J
022	LYT1453-016A	SHEET(ATT.DVD)		H,K
022	LYT1453-019A	SHEET(ATT.DVD)		K
022	LYT1453-001A	SHEET(ATT.DVD)		F,H,J,K
022	LYT1453-002A	SHEET(ATT.DVD)		K
022	LYT1453-003A	SHEET(ATT.DVD)		K
022	LYT1453-011A	SHEET(ATT.DVD)		K
051	LY30023-034A	POLY BAG		
052	LY34832-006A	PACKING CASE		B,D
052	LY34832-007A	PACKING CASE		A,C,E
052	LY34832-004A	PACKING CASE		G,J
052	LY34832-003A	PACKING CASE		F,H,K
053	LY21382-001B	CUSHION		
054	QPA02503505P	POLY BAG	ACC. 25cm x 35cm	
055	QQR0918-002	CORE FILTER	AV	
058	QAM0495-001	AUDIO CABLE	MIC	
059	QQR0917-002	CORE FILTER	MIC 2T	
060	QAM0538-001	USB CABLE	USB	F,G,H,J,K
061	QQR0491-002	FERRITE CORE	USB 1T TDK (BLACK)	F,G,H,J,K
△ 062	LY21104-001D	AC ADAPTER	AP-V14E	A,F
△ 062	LY21104-003D	AC ADAPTER	AP-V14AC	B,G
△ 062	LY21343-001A	AC ADAPTER	AP-V17E	C,H
△ 062	LY21104-001C	AC ADAPTER	AP-V14E	D,J
△ 062	LY21104-002B	AC ADAPTER	AP-V14A	E,K
063	QQR0917-002	CORE FILTER	DC	
066	LY21186-002A	REMOTE CTL UNIT	RM-V720U	
△ 067	LY34647-002B	BATTERY PACK	BN-VF707U	
068	QAM0508-001	AV CABLE	AV	
069	QAN0060-001	MICROPHONE		F,G,H,J,K
070	LY21397-002A	SHOULDER STRAP		A,B,F,G
070	LY21105-002A	SHOULDER STRAP		C,D,E,H,J,K
071	LY34811-001B	HOOD CAP ASSY		
△ 072	QMPH040-190-JR	POWER CORD(AST)	AS/NZS 1.9m BLACK	A,F
△ 072	QMPS260-190-JR	POWER CORD(AST)	AS/NZS 1.9m BLACK	B,G
△ 072	QMPL270-190-JR	POWER CORD(EU)	CEE 1.9m BLACK	E,K
△ 073	QMPL270-190-JR	POWER CORD(EU)	CEE 1.9m BLACK	D,J
△ 074	QAM0001-001	CONVERSION PLUG	FIX AC CO.	D,J
099	LYT1394-008A	SHEET(CORRECT.)		F,G,H,J,K

### MAIN BOARD ASSEMBLY <01>

△ Symbol No.	Part No.	Part Name	Description	Local
PW1	LYA10029-03D	MAIN BOARD ASSY		A,B
PW1	LYA10029-03B	MAIN BOARD ASSY		C,D,E
PW1	LYA10029-02F	MAIN BOARD ASSY		F,G
PW1	LYA10029-02C	MAIN BOARD ASSY		H,J,K
IC1001	MN103S97NJT	IC(MICRO C ROM)	MASK	
IC1001	or MN103SF66RJT	IC(MICRO C ROM)	FLASH	
IC1002	BU3095-0EFV-X	IC	OSD AC	
IC1003	SN74AHC1G00DC-X	IC		
IC1004	NJU7108F3-X	IC		
IC1004	or TC75S56FU-X	IC		
IC1005	M95320-WDW6-X	IC		
IC1005	or BR25C320FV-W-X	IC		
IC1006	RS5C314-X	IC		
IC1007	S-80823CNBN-G-W	IC		
IC1009	SN74AHC1G08DC-X	IC		
IC1701	BA10358FVM-W	IC	REELAMP5V	
IC1702	NJM2407R-W	IC	REELSMT	
IC2201	AK4660VQ	IC	48P0.5	

△ Symbol No.	Part No.	Part Name	Description	Local
IC2801	SN74LV4053ARG-X	IC		F,G,H,J,K
IC3001	JCY0205	IC	BGA SOCKET	
IC3201	JCP8075	IC		
IC3501	JCY0132	IC		
IC3701	BH7612FV-X	IC		
IC3731	MM1504XN-X	IC		
IC4201	HD49340NP-X	IC		
IC4202	MM1613AN-X	IC		
IC4901	JCY0215-X	IC		A,B,C,D,E
IC4901	or LY34854-001A	CSP IC ASSY		A,B,C,D,E
IC4901	JCY0214-X	IC		F,G,H,J,K
IC4901	or LY34853-001A	CSP IC ASSY		F,G,H,J,K
IC4951	AN41902A	IC		
IC5501	JCY0185	IC		
IC6001	FA7725F	IC		
IC8001	TMS320DSC24GHKL	IC	DSC24	F,G,H,J,K
IC8002	K4S643232H-UC60	IC	64MSDRAM	F,G,H,J,K
IC8003	MR27T3202J0R8LA	IC(MICRO C ROM)	32MOTP	F,G
IC8003	MBPL32BM90PBC16	IC(MICRO C ROM)	32MFLASH	H,J,K
IC8005	BH18FB1WG-W	IC	REG 1.8V	F,G,H,J,K
IC8101	SM8707EV-G-X	IC		F,G,H,J,K
IC8102	SN74LC1G3157K-X	IC		F,G,H,J,K
IC8601	PIX-MC20	IC		F,G,H,J,K
Q1001	DTA114EE-X	DIGI TRANSISTOR		
Q1001	or PDA114EE-X	DIGI TRANSISTOR		
Q1001	or BCR183T-X	DIGI TRANSISTOR		
Q1001	or UN9111J-X	DIGI TRANSISTOR		
Q1002	XP03311-W	DIGI TRANSISTOR		
Q1002	or UMC3N-W	DIGI TRANSISTOR		
Q1003	XP03311-W	DIGI TRANSISTOR		
Q1003	or UMC3N-W	DIGI TRANSISTOR		
Q1005	XP03311-W	DIGI TRANSISTOR		
Q1005	or UMC3N-W	DIGI TRANSISTOR		
Q1006	2SC4617/QR/-X	TRANSISTOR		
Q1006	or BC847BT-X	TRANSISTOR		
Q1006	or 2SD2216J/QR/-X	TRANSISTOR		
Q1006	or 2SC4738/YG/-X	TRANSISTOR		
Q1007	DTC124EE-X	DIGI TRANSISTOR		
Q1007	or PDTC124EE-X	DIGI TRANSISTOR		
Q1007	or BCR141T-X	DIGI TRANSISTOR		
Q1007	or UN9212J-X	DIGI TRANSISTOR		
Q1008	DTC144EE-X	DIGI TRANSISTOR		F,G,H,J,K
Q1008	or PDTC144EE-X	DIGI TRANSISTOR		F,G,H,J,K
Q1008	or BCR148T-X	DIGI TRANSISTOR		F,G,H,J,K
Q1008	or UN9213J-X	DIGI TRANSISTOR		F,G,H,J,K
Q1009	DTC143XE-X	DIGI TRANSISTOR		
Q1009	or UN921FJ-X	DIGI TRANSISTOR		
Q1011	DTC144EE-X	DIGI TRANSISTOR		
Q1011	or PDTC144EE-X	DIGI TRANSISTOR		
Q1011	or BCR148T-X	DIGI TRANSISTOR		
Q1011	or UN9213J-X	DIGI TRANSISTOR		
Q2201	DTC144EE-X	DIGI TRANSISTOR		
Q2201	or PDTC144EE-X	DIGI TRANSISTOR		
Q2201	or BCR148T-X	DIGI TRANSISTOR		
Q2201	or UN9213J-X	DIGI TRANSISTOR		
Q2202	UMX1N-W	PAIR TRANSISTOR		
Q2202	or PUMX1-W	PAIR TRANSISTOR		
Q2202	or BC847S-X	PAIR TRANSISTOR		
Q2202	or XP4501-W	TRANSISTOR		
Q2401	2SC4617/RS/-X	TRANSISTOR		
Q2401	or BC847BT-X	TRANSISTOR		
Q2401	or 2SD2216J/RS/-X	TRANSISTOR		
Q2403	2SC4617/RS/-X	TRANSISTOR		
Q2403	or BC847BT-X	TRANSISTOR		
Q2403	or 2SD2216J/RS/-X	TRANSISTOR		
Q3001	2SC4617/RS/-X	TRANSISTOR	AREG_3V	
Q3001	or BC847BT-X	TRANSISTOR	AREG_3V	
Q3001	or 2SD2216J/RS/-X	TRANSISTOR	AREG_3V	
Q3501	2SA2029/QRS/-X	TRANSISTOR		
Q3701	UMT1N-W	PAIR TRANSISTOR		
Q3701	or XP4401-W	TRANSISTOR		
Q3701	or BC856S-X	PAIR TRANSISTOR		
Q3701	or PUMT1-W	PAIR TRANSISTOR		
Q3702	BC847PN-X	PAIR TRANSISTOR		
Q3705	UMT1N-W	PAIR TRANSISTOR		
Q3705	or XP4401-W	TRANSISTOR		
Q3705	or BC856S-X	PAIR TRANSISTOR		

MODEL	MARK	MODEL	MARK	MODEL	MARK
GR-DF430AA	A	GR-DF430AS	E	GR-DF470AH	J
GR-DF430AC	B	GR-DF470AA	F	GR-DF470AS	K
GR-DF430AG	C	GR-DF470AC	G		
GR-DF430AH	D	GR-DF470AG	H		

△ Symbol No.	Part No.	Part Name	Description	Local	△ Symbol No.	Part No.	Part Name	Description	Local
Q3705	or PUMT1-W	PAIR TRANSISTOR			C1024	NCBA1EK-682W	C CAPACITOR	6800pF 25V K	
Q3706	DTC114EE-X	DIGI TRANSISTOR			C1025	NCBA1CK-103W	C CAPACITOR	0.01uF 16V K	
Q3706	or BCR133T-X	DIGI TRANSISTOR			C1029	NCFA1AZ-104W	C CAPACITOR	0.1uF 10V Z	
Q3706	or UN9211J-X	DIGI TRANSISTOR			C1031	NCFA1AZ-104W	C CAPACITOR	0.1uF 10V Z	
Q3706	or PDTC114EE-X	DIGI TRANSISTOR			C1032	NCFA1AZ-104W	C CAPACITOR	0.1uF 10V Z	
Q3707	DTC114EE-X	DIGI TRANSISTOR			C1033	NCFA1AZ-104W	C CAPACITOR	0.1uF 10V Z	
Q3707	or BCR133T-X	DIGI TRANSISTOR			C1034	NCFA1AZ-104W	C CAPACITOR	0.1uF 10V Z	
Q3707	or UN9211J-X	DIGI TRANSISTOR			C1035	NCFA1AZ-104W	C CAPACITOR	0.1uF 10V Z	
Q3707	or PDTC114EE-X	DIGI TRANSISTOR			C1036	NCFA1AZ-104W	C CAPACITOR	0.1uF 10V Z	
Q3731	2SC4617/RS/-X	TRANSISTOR			C1038	NCFA1AZ-104W	C CAPACITOR	0.1uF 10V Z	
Q3731	or 2SD2216J/RS/-X	TRANSISTOR			C1039	NCFA1AZ-104W	C CAPACITOR	0.1uF 10V Z	
Q3731	or BC847BT-X	TRANSISTOR			C1040	NCFA1AZ-104W	C CAPACITOR	0.1uF 10V Z	
Q3733	BC847PN-X	PAIR TRANSISTOR			C1041	NCFA1AZ-104W	C CAPACITOR	0.1uF 10V Z	
Q3734	2SC4617/RS/-X	TRANSISTOR			C1042	NCFA1AZ-104W	C CAPACITOR	0.1uF 10V Z	
Q3734	or 2SD2216J/RS/-X	TRANSISTOR			C1044	NCBA1CK-103W	C CAPACITOR	0.01uF 16V K	
Q3734	or BC847BT-X	TRANSISTOR			C1045	NCBA1CK-103W	C CAPACITOR	0.01uF 16V K	
Q3735	BC847PN-X	PAIR TRANSISTOR			C1046	NCBA1CK-103W	C CAPACITOR	0.01uF 16V K	
Q4951	DTC114EE-X	DIGI TRANSISTOR			C1051	NCB31CK-223X	C CAPACITOR	0.022uF 16V K	
Q4951	or BCR133T-X	DIGI TRANSISTOR			C1052	NCB31CK-223X	C CAPACITOR	0.022uF 16V K	
Q4951	or UN9211J-X	DIGI TRANSISTOR			C1053	NCB31CK-223X	C CAPACITOR	0.022uF 16V K	
Q4951	or PDTC114EE-X	DIGI TRANSISTOR			C1054	NCB31CK-223X	C CAPACITOR	0.022uF 16V K	
Q6101	QS6U24-W	MOS FET			C1055	NCF31AZ-105X	C CAPACITOR	1uF 10V Z	
Q6102	RSR025N03-X	MOS FET			C1703	NBE20JM-106X	TA E CAPACITOR	10uF 6.3V M	
Q6103	SSM3J14T-X	MOS FET			C2201	NCBA1AK-104W	C CAPACITOR	0.1uF 10V K	
Q6201	QS6U24-W	MOS FET			C2202	NCB30JK-105X	C CAPACITOR	1uF 6.3V K	
Q6202	RSR025N03-X	MOS FET			C2203	NCB30JK-105X	C CAPACITOR	1uF 6.3V K	
Q6301	QS6U24-W	MOS FET			C2204	NCB30JK-105X	C CAPACITOR	1uF 6.3V K	
Q6401	QS6U24-W	MOS FET			C2205	NCB30JK-105X	C CAPACITOR	1uF 6.3V K	
Q6501	SSM3J14T-X	MOS FET			C2209	NCB30JK-105X	C CAPACITOR	1uF 6.3V K	
Q6502	BC856S-X	PAIR TRANSISTOR			C2210	NCB30JK-105X	C CAPACITOR	1uF 6.3V K	
Q6502	or PUMT1-W	PAIR TRANSISTOR			C2213	NCBA1AK-104W	C CAPACITOR	0.1uF 10V K	
Q6502	or UMT1N-W	PAIR TRANSISTOR			C2214	NCBA1AK-104W	C CAPACITOR	0.1uF 10V K	
Q6502	or XP4401-W	TRANSISTOR			C2217	NCBA1AK-104W	C CAPACITOR	0.1uF 10V K	
Q6503	2SC4617/RS/-X	TRANSISTOR			C2218	NCBA1AK-104W	C CAPACITOR	0.1uF 10V K	
Q6503	or BC847BT-X	TRANSISTOR			C2223	NCBA1AK-104W	C CAPACITOR	0.1uF 10V K	
Q6503	or 2SD2216J/RS/-X	TRANSISTOR			C2224	NCBA1AK-104W	C CAPACITOR	0.1uF 10V K	
Q6701	SSM3J14T-X	MOS FET			C2225	NRSA6AJ-0R0W	MG RESISTOR	0Ω 1/16W J A,B,C,D,E	
Q6702	RTF020P02-X	MOS FET			C2226	NRSA6AJ-0R0W	MG RESISTOR	0Ω 1/16W J A,B,C,D,E	
Q6703	RTF020P02-X	MOS FET			C2227	NRSA6AJ-0R0W	MG RESISTOR	0Ω 1/16W J A,B,C,D,E	
Q6704	2SA1577/RS/-X	TRANSISTOR			C2228	NRSA6AJ-0R0W	MG RESISTOR	0Ω 1/16W J A,B,C,D,E	
Q6704	or BC807-25W-X	TRANSISTOR			C2401	NBE20JM-106X	TA E CAPACITOR	10uF 6.3V M	
Q6705	DTC124TE-X	DIGI TRANSISTOR			C2402	NBE20JM-106X	TA E CAPACITOR	10uF 6.3V M	
Q8101	2SA1774/RS/-X	TRANSISTOR		F,G,H,J,K	C2403	NBE20JM-106X	TA E CAPACITOR	10uF 6.3V M	
Q8101	or BC857BT-X	TRANSISTOR		F,G,H,J,K	C2404	NBE20JM-106X	TA E CAPACITOR	10uF 6.3V M	
Q8101	or 2SB1462J/RS/-X	TRANSISTOR		F,G,H,J,K	C2405	NCBA1AK-104W	C CAPACITOR	0.1uF 10V K	
Q8601	EMD2-W	PAIR TRANSISTOR	VBUS SW	F,G,H,J,K	C2406	NBE20JM-106X	TA E CAPACITOR	10uF 6.3V M	
D1001	DA221-X	DIODE ARRAY			C2603	NCBA1CK-223W	C CAPACITOR	0.022uF 16V K	
D1001	or MA133-X	SI DIODE			C2604	NCBA1CK-223W	C CAPACITOR	0.022uF 16V K	
D1002	1SS376-X	SI DIODE			C2605	NCBA1EK-472W	C CAPACITOR	4700pF 25V K	
D3001	RB551V-30-X	SB DIODE	PHY VDD		C2606	NCBA1EK-472W	C CAPACITOR	4700pF 25V K	
D3002	EC2C01C-TR-X	VARI CAP DIODE	FS VCO		C2609	NCBA1HK-332W	C CAPACITOR	3300pF 50V K	
D3003	EC2C01C-TR-X	VARI CAP DIODE	FS VCO		C2610	NCBA1HK-332W	C CAPACITOR	3300pF 50V K	
D3004	EC2C01C-TR-X	VARI CAP DIODE	MAIN VCO		C2611	NCB30JK-105X	C CAPACITOR	1uF 6.3V K	
D3005	DAN222-X	SI DIODE			C2612	NCB30JK-105X	C CAPACITOR	1uF 6.3V K	
D3005	or MA132WK-X	SI DIODE			C2613	NCB30JK-105X	C CAPACITOR	1uF 6.3V K	
D5501	1SS355-X	SI DIODE			C2623	NDCA1HJ-100W	C CAPACITOR	10pF 50V J	
D5501	or MA111-X	SI DIODE			C2624	NDCA1HJ-100W	C CAPACITOR	10pF 50V J	
△ D6001	RB715W-X	SB DIODE			C2655	NCBA1CK-473W	C CAPACITOR	0.047uF 16V K	
D6501	RB480Y-W	SB DIODE			C2656	NCBA1CK-473W	C CAPACITOR	0.047uF 16V K	
D6502	RB480Y-W	SB DIODE			C2801	NBE20JM-106X	TA E CAPACITOR	10uF 6.3V M F,G,H,J,K	
D6701	RB160M-30-X	SB DIODE			C3001	NBE20JM-106X	TA E CAPACITOR	10uF 6.3V M	
D6702	RB160M-30-X	SB DIODE			C3002	NCB30JK-105X	C CAPACITOR	1uF 6.3V K	
D6801	RB551V-30-X	SB DIODE			C3003	NBE20JM-106X	TA E CAPACITOR	10uF 6.3V M	
C1001	NDCA1HJ-7R0W	C CAPACITOR	7pF 50V J		C3004	NCB30JK-105X	C CAPACITOR	1uF 6.3V K	
C1002	NDCA1HJ-7R0W	C CAPACITOR	7pF 50V J		C3005	NBE20JM-106X	TA E CAPACITOR	10uF 6.3V M	
C1003	NDCA1HJ-8R0W	C CAPACITOR	8pF 50V J		C3006	NCB30JK-105X	C CAPACITOR	1uF 6.3V K	
C1004	NBE20JM-226X	TA E CAPACITOR	22uF 6.3V M		C3007	NBE20JM-106X	TA E CAPACITOR	10uF 6.3V M	
C1005	NCFA1AZ-104W	C CAPACITOR	0.1uF 10V Z		C3008	NCB30JK-105X	C CAPACITOR	1uF 6.3V K	
C1006	NCFA1AZ-104W	C CAPACITOR	0.1uF 10V Z		C3009	NBE20JM-106X	TA E CAPACITOR	10uF 6.3V M	
C1007	NCJA0JK-105W-A	C CAPACITOR	1uF 6.3V K		C3010	NCB30JK-105X	C CAPACITOR	1uF 6.3V K	
C1008	NBE20JM-226X	TA E CAPACITOR	22uF 6.3V M		C3011	NBZ0015-106X	TA E CAPACITOR	10uF 6.3V M	
C1012	NCBA1CK-103W	C CAPACITOR	0.01uF 16V K		C3013	NBE20JM-106X	TA E CAPACITOR	10uF 6.3V M	
C1013	NCBA1CK-103W	C CAPACITOR	0.01uF 16V K		C3014	NCB30JK-105X	C CAPACITOR	1uF 6.3V K	
C1014	NCBA1CK-103W	C CAPACITOR	0.01uF 16V K		C3016	NCB30JK-105X	C CAPACITOR	1uF 6.3V K	
C1018	NCF31AZ-105X	C CAPACITOR	1uF 10V Z		C3017	NCB30JK-105X	C CAPACITOR	1uF 6.3V K	
C1023	NCBA1EK-682W	C CAPACITOR	6800pF 25V K		C3018	NCB30JK-105X	C CAPACITOR	1uF 6.3V K	
					C3019	NCBA1CK-103W	C CAPACITOR	0.01uF 16V K	
					C3020	NCBA1CK-103W	C CAPACITOR	0.01uF 16V K	



MODEL	MARK	MODEL	MARK	MODEL	MARK
GR-DF430AA	A	GR-DF430AS	E	GR-DF470AH	J
GR-DF430AC	B	GR-DF470AA	F	GR-DF470AS	K
GR-DF430AG	C	GR-DF470AC	G		
GR-DF430AH	D	GR-DF470AG	H		

△ Symbol No.	Part No.	Part Name	Description	Local	△ Symbol No.	Part No.	Part Name	Description	Local
C3021	NCBA1CK-103W	C CAPACITOR	0.01uF 16V K		C3514	NCBA1AK-473W	C CAPACITOR	0.047uF 10V K	
C3022	NCBA1CK-103W	C CAPACITOR	0.01uF 16V K		C3515	NCBA1AK-473W	C CAPACITOR	0.047uF 10V K	
C3023	NCBA1CK-103W	C CAPACITOR	0.01uF 16V K		C3516	NCBA1AK-473W	C CAPACITOR	0.047uF 10V K	
C3024	NCBA1CK-103W	C CAPACITOR	0.01uF 16V K		C3518	NCBA1CK-103W	C CAPACITOR	0.01uF 16V K	
C3025	NCBA1CK-103W	C CAPACITOR	0.01uF 16V K		C3519	NCBA1HK-102W	C CAPACITOR	1000pF 50V K	
C3026	NCBA1AK-104W	C CAPACITOR	0.1uF 10V K		C3520	NCBA1CK-103W	C CAPACITOR	0.01uF 16V K	
C3029	NCBA1HK-102W	C CAPACITOR	1000pF 50V K		C3521	NCBA1AK-104W	C CAPACITOR	0.1uF 10V K	
C3031	NCBA1HK-102W	C CAPACITOR	1000pF 50V K		C3522	NCB20JM-475X	C CAPACITOR	4.7uF 6.3V M	
C3032	NCBA1CK-103W	C CAPACITOR	0.01uF 16V K		C3523	NCBA1CK-103W	C CAPACITOR	0.01uF 16V K	
C3033	NCBA1CK-103W	C CAPACITOR	0.01uF 16V K		C3524	NCBA1CK-103W	C CAPACITOR	0.01uF 16V K	
C3034	NCBA1CK-103W	C CAPACITOR	0.01uF 16V K		C3525	NCB20JM-475X	C CAPACITOR	4.7uF 6.3V M	
C3035	NCBA1CK-103W	C CAPACITOR	0.01uF 16V K		C3526	NCBA1CK-103W	C CAPACITOR	0.01uF 16V K	
C3036	NCBA1CK-103W	C CAPACITOR	0.01uF 16V K		C3531	NDCA1HJ-120W	C CAPACITOR	12pF 50V J	
C3037	NCB31AK-334X	C CAPACITOR	0.33uF 10V K		C3532	NDCA1HJ-120W	C CAPACITOR	12pF 50V J	
C3039	NCBA1CK-103W	C CAPACITOR	0.01uF 16V K		C3533	NCBA1CK-103W	C CAPACITOR	0.01uF 16V K	
C3040	NDCA1EJ-221W	C CAPACITOR	220pF 25V J		C3534	NCBA1CK-103W	C CAPACITOR	0.01uF 16V K	
C3046	NCB31CK-224X	C CAPACITOR	0.22uF 16V K		C3701	NBE20JM-106X	TA E CAPACITOR	10uF 6.3V M	
C3048	NCBA1CK-103W	C CAPACITOR	0.01uF 16V K		C3706	NCB30JK-105X	C CAPACITOR	1uF 6.3V K	
C3049	NCBA1CK-103W	C CAPACITOR	0.01uF 16V K		C3708	NCBA1AK-104W	C CAPACITOR	0.1uF 10V K	
C3050	NCBA1CK-103W	C CAPACITOR	0.01uF 16V K		C3709	NCBA1CK-103W	C CAPACITOR	0.01uF 16V K	
C3051	NDCA1HJ-330W	C CAPACITOR	33pF 50V J		C3710	NBE20GM-226X	TA E CAPACITOR	22uF 4V M	
C3052	NCBA1AK-104W	C CAPACITOR	0.1uF 10V K		C3711	NBE20GM-226X	TA E CAPACITOR	22uF 4V M	
C3053	NCBA1HK-102W	C CAPACITOR	1000pF 50V K		C3712	NBE20GM-107X	TA E CAPACITOR	100uF 4V M	
C3054	NCBA1CK-103W	C CAPACITOR	0.01uF 16V K		C3713	NBE20GM-107X	TA E CAPACITOR	100uF 4V M	
C3055	NCBA1CK-103W	C CAPACITOR	0.01uF 16V K		C3714	NCBA1CK-103W	C CAPACITOR	0.01uF 16V K	
C3056	NCBA1CK-103W	C CAPACITOR	0.01uF 16V K		C3715	NCBA1CK-103W	C CAPACITOR	0.01uF 16V K	
C3057	NCBA1CK-103W	C CAPACITOR	0.01uF 16V K		C3731	NCBA1CK-103W	C CAPACITOR	0.01uF 16V K	
C3058	NCBA1EK-472W	C CAPACITOR	4700pF 25V K		C3732	NCBA1HK-102W	C CAPACITOR	1000pF 50V K	
C3059	NCB30JK-105X	C CAPACITOR	1uF 6.3V K		C3733	NDCA1HJ-3R0W	C CAPACITOR	3pF 50V J	
C3060	NDCA1EJ-271W	C CAPACITOR	270pF 25V J		C3734	NBSA6AJ-0R0W	MG RESISTOR	0Ω 1/16W J	
C3061	NCBA1CK-103W	C CAPACITOR	0.01uF 16V K		C3736	NCBA1HK-102W	C CAPACITOR	1000pF 50V K	
C3062	NCBA1CK-103W	C CAPACITOR	0.01uF 16V K		C3738	NCBA1CK-103W	C CAPACITOR	0.01uF 16V K	
C3063	NCBA1CK-103W	C CAPACITOR	0.01uF 16V K		C3739	NCBA1CK-103W	C CAPACITOR	0.01uF 16V K	
C3064	NCBA1AK-104W	C CAPACITOR	0.1uF 10V K		C3740	NCB30JK-105X	C CAPACITOR	1uF 6.3V K	
C3065	NCBA1CK-103W	C CAPACITOR	0.01uF 16V K		C3741	NCB30JK-105X	C CAPACITOR	1uF 6.3V K	
C3066	NCBA1CK-103W	C CAPACITOR	0.01uF 16V K		C3742	NCBA1AK-104W	C CAPACITOR	0.1uF 10V K	
C3067	NCBA1CK-103W	C CAPACITOR	0.01uF 16V K		C3743	NDCA1HJ-3R0W	C CAPACITOR	3pF 50V J	
C3068	NCBA1CK-103W	C CAPACITOR	0.01uF 16V K		C3744	NBSA6AJ-0R0W	MG RESISTOR	0Ω 1/16W J	
C3069	NCBA1CK-103W	C CAPACITOR	0.01uF 16V K		C3746	NCB20JM-475X	C CAPACITOR	4.7uF 6.3V M	
C3070	NCBA1CK-103W	C CAPACITOR	0.01uF 16V K		C3747	NCBA1CK-103W	C CAPACITOR	0.01uF 16V K	
C3071	NCBA1AK-104W	C CAPACITOR	0.1uF 10V K		C4201	NCBA1AK-104W	C CAPACITOR	0.1uF 10V K	
C3072	NCBA1AK-104W	C CAPACITOR	0.1uF 10V K		C4202	NCB30JK-105X	C CAPACITOR	1uF 6.3V K	
C3073	NCBA1AK-104W	C CAPACITOR	0.1uF 10V K		C4203	NCB30JK-105X	C CAPACITOR	1uF 6.3V K	
C3201	NBE20JM-106X	TA E CAPACITOR	10uF 6.3V M		C4204	NCBA1AK-104W	C CAPACITOR	0.1uF 10V K	
C3202	NCB21CK-105X	C CAPACITOR	1uF 16V K		C4205	NCBA1AK-104W	C CAPACITOR	0.1uF 10V K	
C3203	NCB21CK-105X	C CAPACITOR	1uF 16V K		C4206	NCBA1AK-104W	C CAPACITOR	0.1uF 10V K	
C3204	NBE20JM-106X	TA E CAPACITOR	10uF 6.3V M		C4207	NCB30JK-105X	C CAPACITOR	1uF 6.3V K	
C3205	NBE20GM-476X	TA E CAPACITOR	47uF 4V M		C4208	NCB31CK-105X	C CAPACITOR	1uF 16V K	
C3206	NCBA1CK-103W	C CAPACITOR	0.01uF 16V K		C4209	NCBA1CK-223W	C CAPACITOR	0.022uF 16V K	
C3207	NCBA1CK-103W	C CAPACITOR	0.01uF 16V K		C4210	NCBA1AK-104W	C CAPACITOR	0.1uF 10V K	
C3209	NCBA1CK-103W	C CAPACITOR	0.01uF 16V K		C4211	NCBA1AK-104W	C CAPACITOR	0.1uF 10V K	
C3211	NCBA1CK-103W	C CAPACITOR	0.01uF 16V K		C4212	NCBA1AK-104W	C CAPACITOR	0.1uF 10V K	
C3214	NCBA1CK-103W	C CAPACITOR	0.01uF 16V K		C4213	NCBA1AK-104W	C CAPACITOR	0.1uF 10V K	
C3216	NCBA1AK-104W	C CAPACITOR	0.1uF 10V K		C4214	NCBA1AK-104W	C CAPACITOR	0.1uF 10V K	
C3217	NCB21CK-105X	C CAPACITOR	1uF 16V K		C4215	NCBA1AK-104W	C CAPACITOR	0.1uF 10V K	
C3219	NCBA1AK-104W	C CAPACITOR	0.1uF 10V K		C4216	NBE20JM-226X	TA E CAPACITOR	22uF 6.3V M	
C3220	NCBA1AK-104W	C CAPACITOR	0.1uF 10V K		C4217	NCBA1AK-104W	C CAPACITOR	0.1uF 10V K	
C3221	NCB21CK-105X	C CAPACITOR	1uF 16V K		C4902	NBE20JM-106X	TA E CAPACITOR	10uF 6.3V M	
C3222	NCBA1AK-104W	C CAPACITOR	0.1uF 10V K		C4904	NBE21AM-106X	TA E CAPACITOR	10uF 10V M	
C3223	NCBA1AK-104W	C CAPACITOR	0.1uF 10V K		C4905	NCFA1AZ-104W	C CAPACITOR	0.1uF 10V Z	
C3224	NCBA1AK-104W	C CAPACITOR	0.1uF 10V K		C4906	NCFA1AZ-104W	C CAPACITOR	0.1uF 10V Z	
C3225	NCBA1AK-104W	C CAPACITOR	0.1uF 10V K		C4907	NCFA1AZ-104W	C CAPACITOR	0.1uF 10V Z	
C3229	NCBA1CK-103W	C CAPACITOR	0.01uF 16V K		C4908	NCFA1AZ-104W	C CAPACITOR	0.1uF 10V Z	
C3233	NCBA1CK-103W	C CAPACITOR	0.01uF 16V K		C4909	NCBA1CK-103W	C CAPACITOR	0.01uF 16V K	
C3234	NCBA1CK-103W	C CAPACITOR	0.01uF 16V K		C4912	NCFA1AZ-104W	C CAPACITOR	0.1uF 10V Z	
C3501	NBZ0015-106X	TA E CAPACITOR	10uF 6.3V M		C4913	NCFA1AZ-104W	C CAPACITOR	0.1uF 10V Z	
C3502	NBZ0015-106X	TA E CAPACITOR	10uF 6.3V M		C4914	NDCA1HJ-680W	C CAPACITOR	68pF 50V J	
C3503	NBZ0015-106X	TA E CAPACITOR	10uF 6.3V M		C4915	NDCA1HJ-121W	C CAPACITOR	120pF 50V J	
C3504	NCBA1AK-473W	C CAPACITOR	0.047uF 10V K		C4916	NCFA1AZ-104W	C CAPACITOR	0.1uF 10V Z	
C3505	NCBA1CK-223W	C CAPACITOR	0.022uF 16V K		C4917	NCFA1AZ-104W	C CAPACITOR	0.1uF 10V Z	
C3506	NCB30JK-105X	C CAPACITOR	1uF 6.3V K		C4918	NCFA1AZ-104W	C CAPACITOR	0.1uF 10V Z	
C3507	NCBA1CK-103W	C CAPACITOR	0.01uF 16V K		C4921	NCBA1CK-103W	C CAPACITOR	0.01uF 16V K	
C3508	NCBA1CK-103W	C CAPACITOR	0.01uF 16V K		C4922	NCFA1AZ-104W	C CAPACITOR	0.1uF 10V Z	
C3509	NCBA1CK-103W	C CAPACITOR	0.01uF 16V K		C4952	NBE20JM-106X	TA E CAPACITOR	10uF 6.3V M	
C3510	NCBA1AK-104W	C CAPACITOR	0.1uF 10V K		C4954	NBE20JM-106X	TA E CAPACITOR	10uF 6.3V M	
C3511	NCBA1CK-103W	C CAPACITOR	0.01uF 16V K		C4956	NBE20JM-106X	TA E CAPACITOR	10uF 6.3V M	
C3512	NCBA1AK-104W	C CAPACITOR	0.1uF 10V K		C4957	NDCA1HJ-220W	C CAPACITOR	22pF 50V J	
C3513	NCBA1AK-104W	C CAPACITOR	0.1uF 10V K		C4958	NDCA1HJ-220W	C CAPACITOR	22pF 50V J	

MODEL	MARK	MODEL	MARK	MODEL	MARK
GR-DF430AA	A	GR-DF430AS	E	GR-DF470AH	J
GR-DF430AC	B	GR-DF470AA	F	GR-DF470AS	K
GR-DF430AG	C	GR-DF470AC	G		
GR-DF430AH	D	GR-DF470AG	H		

△ Symbol No.	Part No.	Part Name	Description	Local	△ Symbol No.	Part No.	Part Name	Description	Local
C5501	NCBA1AK-104W	C CAPACITOR	0.1uF 10V K		C8018	NCBA1AK-104W	C CAPACITOR	0.1uF 10V K F,G,H,J,K	
C5502	NCBA1AK-104W	C CAPACITOR	0.1uF 10V K		C8021	NCBA1CK-103W	C CAPACITOR	0.01uF 16V K F,G,H,J,K	
C5503	NCBA1AK-104W	C CAPACITOR	0.1uF 10V K		C8022	NBE20JM-106X	TA E CAPACITOR	10uF 6.3V M F,G,H,J,K	
C5504	NCBA1AK-104W	C CAPACITOR	0.1uF 10V K		C8023	NCBA1AK-104W	C CAPACITOR	0.1uF 10V K F,G,H,J,K	
C5505	NCBA1AK-104W	C CAPACITOR	0.1uF 10V K		C8024	NCBA1AK-104W	C CAPACITOR	0.1uF 10V K F,G,H,J,K	
C5506	NCBA1AK-104W	C CAPACITOR	0.1uF 10V K		C8025	NBE20JM-106X	TA E CAPACITOR	10uF 6.3V M F,G,H,J,K	
C5507	NCBA1AK-104W	C CAPACITOR	0.1uF 10V K		C8026	NCBA1AK-104W	C CAPACITOR	0.1uF 10V K F,G,H,J,K	
C5508	NBP21VM-105X	TA E CAPACITOR	1uF 35V M		C8027	NCBA1AK-104W	C CAPACITOR	0.1uF 10V K F,G,H,J,K	
C5509	NCBA1AK-104W	C CAPACITOR	0.1uF 10V K		C8028	NCBA1AK-104W	C CAPACITOR	0.1uF 10V K F,G,H,J,K	
C5510	NCB31CK-104X	C CAPACITOR	0.1uF 16V K		C8029	NCB30JK-225X	C CAPACITOR	2.2uF 6.3V K F,G,H,J,K	
C5511	NCBA1AK-104W	C CAPACITOR	0.1uF 10V K		C8032	NRSA63J-0R0X	MG RESISTOR	0Ω 1/16W J F,G,H,J,K	
C5512	NCBA1AK-104W	C CAPACITOR	0.1uF 10V K		C8101	NCBA1AK-104W	C CAPACITOR	0.1uF 10V K F,G,H,J,K	
C5513	NCB31CK-104X	C CAPACITOR	0.1uF 16V K		C8102	NCBA1AK-104W	C CAPACITOR	0.1uF 10V K F,G,H,J,K	
C5514	NCBA1AK-104W	C CAPACITOR	0.1uF 10V K		C8103	NCB30JK-105X	C CAPACITOR	1uF 6.3V K F,G,H,J,K	
C5515	NBE20GM-476X	TA E CAPACITOR	47uF 4V M		C8104	NCBA1CK-103W	C CAPACITOR	0.01uF 16V K F,G,H,J,K	
C5516	NBP41EM-475X-B	TA E CAPACITOR	4.7uF 25V M		C8105	NBE20JM-106X	TA E CAPACITOR	10uF 6.3V M F,G,H,J,K	
C5517	NBP21CM-106X	TA E CAPACITOR	10uF 16V M		C8601	NBE20JM-106X	TA E CAPACITOR	10uF 6.3V M F,G,H,J,K	
C5518	NCBA1AK-104W	C CAPACITOR	0.1uF 10V K		C8602	NBE20JM-106X	TA E CAPACITOR	10uF 6.3V M F,G,H,J,K	
C5519	NBE20JM-106X	TA E CAPACITOR	10uF 6.3V M		C8603	NBE20JM-106X	TA E CAPACITOR	10uF 6.3V M F,G,H,J,K	
C5520	NCBA1AK-104W	C CAPACITOR	0.1uF 10V K		C8606	NCBA1AK-104W	C CAPACITOR	0.1uF 10V K F,G,H,J,K	
C6005	NCB21CK-105X	C CAPACITOR	1uF 16V K		C8607	NCJA0JK-105W-A	C CAPACITOR	1uF 6.3V K F,G,H,J,K	
C6006	NCBA1AK-104W	C CAPACITOR	0.1uF 10V K		C8608	NCBA1AK-104W	C CAPACITOR	0.1uF 10V K F,G,H,J,K	
C6007	NCBA1AK-104W	C CAPACITOR	0.1uF 10V K		C8609	NCBA1AK-104W	C CAPACITOR	0.1uF 10V K F,G,H,J,K	
C6008	NCB21CK-105X	C CAPACITOR	1uF 16V K		C8610	NCBA1AK-104W	C CAPACITOR	0.1uF 10V K F,G,H,J,K	
C6009	NCB31AK-224X	C CAPACITOR	0.22uF 10V K		C8611	NCBA1AK-104W	C CAPACITOR	0.1uF 10V K F,G,H,J,K	
C6010	NCBA1CK-103W	C CAPACITOR	0.01uF 16V K		C8612	NCBA1AK-104W	C CAPACITOR	0.1uF 10V K F,G,H,J,K	
C6011	NCB21CK-105X	C CAPACITOR	1uF 16V K		C8613	NCBA1AK-104W	C CAPACITOR	0.1uF 10V K F,G,H,J,K	
C6101	NCB21CK-105X	C CAPACITOR	1uF 16V K		C8614	NCBA1AK-104W	C CAPACITOR	0.1uF 10V K F,G,H,J,K	
C6102	NCB10JK-106X	C CAPACITOR	10uF 6.3V K		C8615	NCBA1AK-104W	C CAPACITOR	0.1uF 10V K F,G,H,J,K	
C6103	NCBA1HK-221W	C CAPACITOR	220pF 50V K		C8616	NCBA1AK-104W	C CAPACITOR	0.1uF 10V K F,G,H,J,K	
C6104	NCBA1HK-681W	C CAPACITOR	680pF 50V K		C8617	NCBA1AK-104W	C CAPACITOR	0.1uF 10V K F,G,H,J,K	
C6105	NCBA1CK-103W	C CAPACITOR	0.01uF 16V K		C8618	NRSA6AJ-103W	MG RESISTOR	10kΩ 1/16W J F,G,H,J,K	
C6106	NCB30JK-105X	C CAPACITOR	1uF 6.3V K		C8619	NCBA1AK-104W	C CAPACITOR	0.1uF 10V K F,G,H,J,K	
C6107	NCBA1CK-223W	C CAPACITOR	0.022uF 16V K		C8620	NCJA0JK-105W-A	C CAPACITOR	1uF 6.3V K F,G,H,J,K	
C6201	NCB21CK-105X	C CAPACITOR	1uF 16V K		C8621	NDCA1HJ-7R0W	C CAPACITOR	7pF 50V J F,G,H,J,K	
C6202	NCB10JK-106X	C CAPACITOR	10uF 6.3V K		C8622	NDCA1HJ-7R0W	C CAPACITOR	7pF 50V J F,G,H,J,K	
C6203	NCBA1HK-102W	C CAPACITOR	1000pF 50V K		C8623	NCJA0JK-105W-A	C CAPACITOR	1uF 6.3V K F,G,H,J,K	
C6204	NCBA1HK-221W	C CAPACITOR	220pF 50V K		C8624	NCJA0JK-105W-A	C CAPACITOR	1uF 6.3V K F,G,H,J,K	
C6301	NCB21CK-105X	C CAPACITOR	1uF 16V K		C8626	NCB30JK-105X	C CAPACITOR	1uF 6.3V K F,G,H,J,K	
C6302	NCB21CK-105X	C CAPACITOR	1uF 16V K		C8627	NBE20JM-106X	TA E CAPACITOR	10uF 6.3V M F,G,H,J,K	
C6303	NCBA1AK-683W	C CAPACITOR	0.068uF 10V K		R1001	NRSA6AJ-105W	MG RESISTOR	1MΩ 1/16W J	
C6305	NCBA1AK-104W	C CAPACITOR	0.1uF 10V K		R1002	NRSA6AJ-470W	MG RESISTOR	47Ω 1/16W J	
C6401	NCB21CK-105X	C CAPACITOR	1uF 16V K		R1003	NRSA6AJ-104W	MG RESISTOR	100kΩ 1/16W J	
C6402	NCB21CK-105X	C CAPACITOR	1uF 16V K		R1004	NRSA6AJ-0R0W	MG RESISTOR	0Ω 1/16W J	
C6403	NCB30JK-105X	C CAPACITOR	1uF 6.3V K		R1007	NRSA6AJ-104W	MG RESISTOR	100kΩ 1/16W J	
C6405	NCBA1CK-103W	C CAPACITOR	0.01uF 16V K		R1008	NRSA6AJ-222W	MG RESISTOR	2.2kΩ 1/16W J	
C6501	NCB21CK-105X	C CAPACITOR	1uF 16V K		R1010	NRSA6AJ-103W	MG RESISTOR	10kΩ 1/16W J	
C6502	NCB21CK-105X	C CAPACITOR	1uF 16V K		R1012	NRSA6AJ-823W	MG RESISTOR	82kΩ 1/16W J	
C6503	NCB21CK-105X	C CAPACITOR	1uF 16V K		R1013	NRSA6AJ-623W	MG RESISTOR	62kΩ 1/16W J	
C6505	NCB21CK-105X	C CAPACITOR	1uF 16V K		R1014	NRSA6AJ-103W	MG RESISTOR	10kΩ 1/16W J	
C6506	NCB21CK-105X	C CAPACITOR	1uF 16V K		R1015	NRSA6AJ-104W	MG RESISTOR	100kΩ 1/16W J	
C6508	NCB21CK-105X	C CAPACITOR	1uF 16V K		R1016	NRSA6AJ-104W	MG RESISTOR	100kΩ 1/16W J	
C6509	NCBA1AK-333W	C CAPACITOR	0.033uF 10V K		R1017	NRSA6AJ-105W	MG RESISTOR	1MΩ 1/16W J	
C6510	NCBA1AK-473W	C CAPACITOR	0.047uF 10V K		R1018	NRSA6AJ-104W	MG RESISTOR	100kΩ 1/16W J	
C6511	NCBA1CK-103W	C CAPACITOR	0.01uF 16V K		R1019	NRSA6AJ-104W	MG RESISTOR	100kΩ 1/16W J	
C6512	NCB21CK-105X	C CAPACITOR	1uF 16V K		R1020	NRSA6AJ-753W	MG RESISTOR	75kΩ 1/16W J	
C6701	NCB21CK-105X	C CAPACITOR	1uF 16V K		R1021	NRSA6AJ-334W	MG RESISTOR	330kΩ 1/16W J	
C6702	NCB41CK-106X	C CAPACITOR	10uF 16V K		R1022	NRSA6AJ-332W	MG RESISTOR	3.3kΩ 1/16W J	
C6704	NCBA1EK-472W	C CAPACITOR	4700pF 25V K		R1023	NRSA6AJ-332W	MG RESISTOR	3.3kΩ 1/16W J	
C6705	NCBA1CK-103W	C CAPACITOR	0.01uF 16V K		R1024	NRSA6AJ-332W	MG RESISTOR	3.3kΩ 1/16W J	
C6706	NCBA1HK-221W	C CAPACITOR	220pF 50V K		R1025	NRSA6AJ-473W	MG RESISTOR	47kΩ 1/16W J	
C6707	NCBA1HK-821W	C CAPACITOR	820pF 50V K		R1026	NRSA6AJ-473W	MG RESISTOR	47kΩ 1/16W J	
C6802	NCB10JK-106X	C CAPACITOR	10uF 6.3V K		R1027	NRSA6AJ-473W	MG RESISTOR	47kΩ 1/16W J	
C6803	NCBA1HK-102W	C CAPACITOR	1000pF 50V K		R1029	NRSA6AJ-152W	MG RESISTOR	1.5kΩ 1/16W J	
C6804	NCBA1HK-392W	C CAPACITOR	3900pF 50V K		R1030	NRSA6AJ-273W	MG RESISTOR	27kΩ 1/16W J	
C8001	NBE20JM-106X	TA E CAPACITOR	10uF 6.3V M F,G,H,J,K		R1031	NRSA6AJ-104W	MG RESISTOR	100kΩ 1/16W J	
C8002	NBE20JM-106X	TA E CAPACITOR	10uF 6.3V M F,G,H,J,K		R1032	NRSA6AJ-104W	MG RESISTOR	100kΩ 1/16W J	
C8003	NCBA1AK-104W	C CAPACITOR	0.1uF 10V K F,G,H,J,K		R1033	NRSA6AJ-104W	MG RESISTOR	100kΩ 1/16W J	
C8004	NCBA1AK-104W	C CAPACITOR	0.1uF 10V K F,G,H,J,K		R1034	NRSA6AJ-104W	MG RESISTOR	100kΩ 1/16W J	
C8005	NCBA1AK-104W	C CAPACITOR	0.1uF 10V K F,G,H,J,K		R1035	NRSA6AJ-102W	MG RESISTOR	1kΩ 1/16W J	
C8006	NCBA1AK-104W	C CAPACITOR	0.1uF 10V K F,G,H,J,K		R1036	NRSA6AJ-104W	MG RESISTOR	100kΩ 1/16W J	
C8007	NCBA1AK-104W	C CAPACITOR	0.1uF 10V K F,G,H,J,K		R1041	NRSA6AJ-561W	MG RESISTOR	560Ω 1/16W J	
C8008	NCBA1AK-104W	C CAPACITOR	0.1uF 10V K F,G,H,J,K		R1043	NRSA6AJ-472W	MG RESISTOR	4.7kΩ 1/16W J	
C8009	NCBA1AK-104W	C CAPACITOR	0.1uF 10V K F,G,H,J,K		R1045	NRSA6AJ-102W	MG RESISTOR	1kΩ 1/16W J	
C8010	NCBA1AK-104W	C CAPACITOR	0.1uF 10V K F,G,H,J,K		R1046	NRSA6AJ-153W	MG RESISTOR	15kΩ 1/16W J	
C8011	NBE20JM-106X	TA E CAPACITOR	10uF 6.3V M F,G,H,J,K		R1047	NRSA6AJ-103W	MG RESISTOR	10kΩ 1/16W J	
C8012	NCBA1AK-104W	C CAPACITOR	0.1uF 10V K F,G,H,J,K		R1048	NRSA6AJ-104W	MG RESISTOR	100kΩ 1/16W J	
C8013	NCBA1AK-104W	C CAPACITOR	0.1uF 10V K F,G,H,J,K						

MODEL	MARK	MODEL	MARK	MODEL	MARK
GR-DF430AA	A	GR-DF430AS	E	GR-DF470AH	J
GR-DF430AC	B	GR-DF470AA	F	GR-DF470AS	K
GR-DF430AG	C	GR-DF470AC	G		
GR-DF430AH	D	GR-DF470AG	H		

△ Symbol No.	Part No.	Part Name	Description	Local	△ Symbol No.	Part No.	Part Name	Description	Local
R1049	NRSA6AJ-104W	MG RESISTOR	100kΩ 1/16W J		R1706	NRSA6AJ-823W	MG RESISTOR	82kΩ 1/16W J	
R1050	NRSA6AJ-104W	MG RESISTOR	100kΩ 1/16W J		R1707	NRSA6AJ-103W	MG RESISTOR	10kΩ 1/16W J	
R1051	NRSA6AJ-472W	MG RESISTOR	4.7kΩ 1/16W J		R1708	NRSA6AJ-124W	MG RESISTOR	120kΩ 1/16W J	
R1052	NRSA6AJ-103W	MG RESISTOR	10kΩ 1/16W J		R1709	NRSA6AJ-103W	MG RESISTOR	10kΩ 1/16W J	
R1053	NRSA6AJ-154W	MG RESISTOR	150kΩ 1/16W J		R1710	NRSA6AJ-124W	MG RESISTOR	120kΩ 1/16W J	
R1054	NRSA6AJ-272W	MG RESISTOR	2.7kΩ 1/16W J		R1711	NRSA6AJ-102W	MG RESISTOR	1kΩ 1/16W J	
R1055	NRSA6AJ-183W	MG RESISTOR	18kΩ 1/16W J		R1712	NRSA6AJ-102W	MG RESISTOR	1kΩ 1/16W J	
R1056	NRSA6AJ-473W	MG RESISTOR	47kΩ 1/16W J		R2001	NRSA63J-0R0X	MG RESISTOR	0Ω 1/16W J	
R1057	NRSA6AJ-822W	MG RESISTOR	8.2kΩ 1/16W J		R2004	NRSA6AJ-0R0W	MG RESISTOR	0Ω 1/16W J	
R1058	NRSA6AJ-104W	MG RESISTOR	100kΩ 1/16W J		R2201	NRSA6AJ-224W	MG RESISTOR	220kΩ 1/16W J	
R1059	NRSA6AJ-123W	MG RESISTOR	12kΩ 1/16W J		R2202	NRSA6AJ-564W	MG RESISTOR	560kΩ 1/16W J	
R1060	NRSA6AJ-473W	MG RESISTOR	47kΩ 1/16W J		R2203	NRSA6AJ-393W	MG RESISTOR	39kΩ 1/16W J	
R1061	NRSA6AJ-393W	MG RESISTOR	39kΩ 1/16W J		R2204	NRSA6AJ-154W	MG RESISTOR	150kΩ 1/16W J	
R1063	NRSA6AJ-223W	MG RESISTOR	22kΩ 1/16W J		R2206	NRSA6AJ-333W	MG RESISTOR	33kΩ 1/16W J	
R1064	NRSA6AJ-104W	MG RESISTOR	100kΩ 1/16W J		R2207	NRSA6AJ-333W	MG RESISTOR	33kΩ 1/16W J	
R1065	NRSA6AJ-473W	MG RESISTOR	47kΩ 1/16W J		R2208	NRSA6AJ-223W	MG RESISTOR	22kΩ 1/16W J	
R1066	NRSA6AJ-104W	MG RESISTOR	100kΩ 1/16W J		R2209	NRSA6AJ-223W	MG RESISTOR	22kΩ 1/16W J	
R1067	NRSA6AJ-104W	MG RESISTOR	100kΩ 1/16W J		R2210	NRSA6AJ-821W	MG RESISTOR	820Ω 1/16W J	
R1068	NRSA6AJ-103W	MG RESISTOR	10kΩ 1/16W J		R2211	NRSA6AJ-821W	MG RESISTOR	820Ω 1/16W J	
R1069	NRSA6AJ-103W	MG RESISTOR	10kΩ 1/16W J		R2212	NRSA6AJ-2R7W	MG RESISTOR	2.7Ω 1/16W J	
R1070	NRSA6AJ-103W	MG RESISTOR	10kΩ 1/16W J		R2213	NRSA6AJ-2R7W	MG RESISTOR	2.7Ω 1/16W J	
R1071	NRSA6AJ-103W	MG RESISTOR	10kΩ 1/16W J		R2217	NRSA6AJ-100W	MG RESISTOR	10Ω 1/16W J	
R1072	NRSA6AJ-332W	MG RESISTOR	3.3kΩ 1/16W J		R2231	NRSA6AJ-102W	MG RESISTOR	1kΩ 1/16W J	
R1073	NRSA6AJ-332W	MG RESISTOR	3.3kΩ 1/16W J		R2233	NRSA6AJ-564W	MG RESISTOR	560kΩ 1/16W J	
R1074	NRSA6AJ-332W	MG RESISTOR	3.3kΩ 1/16W J		R2234	NRSA6AJ-564W	MG RESISTOR	560kΩ 1/16W J	
R1075	NRSA6AJ-332W	MG RESISTOR	3.3kΩ 1/16W J		R2235	NRSA6AJ-332W	MG RESISTOR	3.3kΩ 1/16W J	
R1076	NRSA6AJ-104W	MG RESISTOR	100kΩ 1/16W J		R2401	NRSA6AJ-472W	MG RESISTOR	4.7kΩ 1/16W J	
R1077	NRSA6AJ-104W	MG RESISTOR	100kΩ 1/16W J		R2402	NRSA6AJ-472W	MG RESISTOR	4.7kΩ 1/16W J	
R1078	NRSA6AJ-104W	MG RESISTOR	100kΩ 1/16W J		R2403	NRSA6AJ-183W	MG RESISTOR	18kΩ 1/16W J	
R1080	NRSA6AJ-104W	MG RESISTOR	100kΩ 1/16W J		R2407	NRSA6AJ-100W	MG RESISTOR	10Ω 1/16W J	
R1081	NRSA6AJ-473W	MG RESISTOR	47kΩ 1/16W J		R2601	NRSA6AJ-222W	MG RESISTOR	2.2kΩ 1/16W J	
R1082	NRSA6AJ-473W	MG RESISTOR	47kΩ 1/16W J		R2602	NRSA6AJ-222W	MG RESISTOR	2.2kΩ 1/16W J	
R1083	NRSA6AJ-102W	MG RESISTOR	1kΩ 1/16W J		R2607	NRSA6AJ-222W	MG RESISTOR	2.2kΩ 1/16W J	
R1084	NRSA6AJ-102W	MG RESISTOR	1kΩ 1/16W J		R2608	NRSA6AJ-222W	MG RESISTOR	2.2kΩ 1/16W J	
R1085	NRSA6AJ-102W	MG RESISTOR	1kΩ 1/16W J		R2609	NRSA6AJ-223W	MG RESISTOR	22kΩ 1/16W J	
R1086	NRSA6AJ-102W	MG RESISTOR	1kΩ 1/16W J		R2610	NRSA6AJ-223W	MG RESISTOR	22kΩ 1/16W J	
R1089	NRSA6AJ-104W	MG RESISTOR	100kΩ 1/16W J		R2618	NRSA6AJ-332W	MG RESISTOR	3.3kΩ 1/16W J	
R1090	NRSA6AJ-102W	MG RESISTOR	1kΩ 1/16W J		R2619	NRSA6AJ-332W	MG RESISTOR	3.3kΩ 1/16W J	
R1091	NRSA6AJ-102W	MG RESISTOR	1kΩ 1/16W J		R2801	NRSA6AJ-0R0W	MG RESISTOR	0Ω 1/16W J F,G,H,J,K	
R1092	NRSA6AJ-102W	MG RESISTOR	1kΩ 1/16W J		R2802	NRSA6AJ-0R0W	MG RESISTOR	0Ω 1/16W J F,G,H,J,K	
R1093	NRSA6AJ-102W	MG RESISTOR	1kΩ 1/16W J		R2803	NRSA6AJ-0R0W	MG RESISTOR	0Ω 1/16W J F,G,H,J,K	
R1094	NRSA6AJ-102W	MG RESISTOR	1kΩ 1/16W J		R2804	NRSA6AJ-0R0W	MG RESISTOR	0Ω 1/16W J F,G,H,J,K	
R1095	NRSA6AJ-102W	MG RESISTOR	1kΩ 1/16W J		R2805	NRSA6AJ-0R0W	MG RESISTOR	0Ω 1/16W J F,G,H,J,K	
R1096	NRSA6AJ-102W	MG RESISTOR	1kΩ 1/16W J		R3001	NRSA6AJ-222W	MG RESISTOR	2.2kΩ 1/16W J	
R1097	NRSA6AJ-102W	MG RESISTOR	1kΩ 1/16W J		R3002	NRSA6AJ-222W	MG RESISTOR	2.2kΩ 1/16W J	
R1098	NRSA6AJ-102W	MG RESISTOR	1kΩ 1/16W J		R3004	NRSA6AJ-102W	MG RESISTOR	1kΩ 1/16W J	
R1099	NRSA6AJ-102W	MG RESISTOR	1kΩ 1/16W J		R3005	NRSA6AJ-103W	MG RESISTOR	10kΩ 1/16W J	
R1100	NRSA6AJ-102W	MG RESISTOR	1kΩ 1/16W J		R3006	NRSA6AJ-222W	MG RESISTOR	2.2kΩ 1/16W J	
R1101	NRSA6AJ-102W	MG RESISTOR	1kΩ 1/16W J		R3008	NRSA6AJ-224W	MG RESISTOR	220kΩ 1/16W J	
R1103	NRSA6AJ-102W	MG RESISTOR	1kΩ 1/16W J		R3009	NRSA6AJ-224W	MG RESISTOR	220kΩ 1/16W J	
R1104	NRSA6AJ-102W	MG RESISTOR	1kΩ 1/16W J		R3010	NRSA6AJ-822W	MG RESISTOR	8.2kΩ 1/16W J	
R1105	NRSA6AJ-102W	MG RESISTOR	1kΩ 1/16W J		R3011	NRSA6AJ-332W	MG RESISTOR	3.3kΩ 1/16W J	
R1106	NRSA6AJ-104W	MG RESISTOR	100kΩ 1/16W J		R3012	NRSA6AJ-821W	MG RESISTOR	820Ω 1/16W J	
R1108	NRSA6AJ-102W	MG RESISTOR	1kΩ 1/16W J		R3013	NRSA6AJ-332W	MG RESISTOR	3.3kΩ 1/16W J	
R1109	NRSA6AJ-104W	MG RESISTOR	100kΩ 1/16W J		R3014	NRSA6AJ-821W	MG RESISTOR	820Ω 1/16W J	
R1110	NRSA6AJ-103W	MG RESISTOR	10kΩ 1/16W J		R3020	NRSA6AJ-101W	MG RESISTOR	100Ω 1/16W J F,G,H,J,K	
R1112	NRSA6AJ-103W	MG RESISTOR	10kΩ 1/16W J		R3021	NRSA6AJ-822W	MG RESISTOR	8.2kΩ 1/16W J	
R1117	NRSA6AJ-330W	MG RESISTOR	33Ω 1/16W J		R3022	NRSA6AJ-822W	MG RESISTOR	8.2kΩ 1/16W J	
R1118	NRSA6AJ-104W	MG RESISTOR	100kΩ 1/16W J		R3025	NRSA6AJ-121W	MG RESISTOR	120Ω 1/16W J	
R1119	NRSA6AJ-104W	MG RESISTOR	100kΩ 1/16W J		R3026	NRSA6AJ-102W	MG RESISTOR	1kΩ 1/16W J	
R1120	NRSA6AJ-104W	MG RESISTOR	100kΩ 1/16W J		R3028	NRSA6AJ-0R0W	MG RESISTOR	0Ω 1/16W J	
R1121	NRSA6AJ-104W	MG RESISTOR	100kΩ 1/16W J		R3029	NRSA6AJ-224W	MG RESISTOR	220kΩ 1/16W J	
R1122	NRSA6AJ-104W	MG RESISTOR	100kΩ 1/16W J		R3030	NRSA6AJ-103W	MG RESISTOR	10kΩ 1/16W J	
R1123	NRSA6AJ-0R0W	MG RESISTOR	0Ω 1/16W J		R3031	NRSA6AJ-103W	MG RESISTOR	10kΩ 1/16W J	
R1124	NRSA6AJ-0R0W	MG RESISTOR	0Ω 1/16W J		R3032	NRSA6AJ-392W	MG RESISTOR	3.9kΩ 1/16W J	
R1125	NRSA6AJ-0R0W	MG RESISTOR	0Ω 1/16W J		R3033	NRSA6AJ-392W	MG RESISTOR	3.9kΩ 1/16W J	
R1126	NRSA6AJ-0R0W	MG RESISTOR	0Ω 1/16W J		R3034	NRSA6AD-560W	MG RESISTOR	56Ω 1/16W D	
R1127	NRSA6AJ-0R0W	MG RESISTOR	0Ω 1/16W J		R3035	NRSA6AD-560W	MG RESISTOR	56Ω 1/16W D	
R1128	NRSA6AJ-0R0W	MG RESISTOR	0Ω 1/16W J		R3036	NRSA6AD-560W	MG RESISTOR	56Ω 1/16W D	
R1132	NRSA6AJ-102W	MG RESISTOR	1kΩ 1/16W J		R3037	NRSA6AD-560W	MG RESISTOR	56Ω 1/16W D	
R1146	NRSA6AJ-102W	MG RESISTOR	1kΩ 1/16W J		R3038	NRSA6AD-512W	MG RESISTOR	5.1kΩ 1/16W D	
R1147	NRSA6AJ-334W	MG RESISTOR	330kΩ 1/16W J		R3040	NRSA6AJ-242W	MG RESISTOR	2.4kΩ 1/16W J	
R1148	NRSA6AJ-224W	MG RESISTOR	220kΩ 1/16W J		R3043	NRSA6AJ-0R0W	MG RESISTOR	0Ω 1/16W J	
R1701	NRSA6AJ-823W	MG RESISTOR	82kΩ 1/16W J		R3045	NRSA6AJ-0R0W	MG RESISTOR	0Ω 1/16W J	
R1702	NRSA6AJ-222W	MG RESISTOR	2.2kΩ 1/16W J		R3051	NRSA6AJ-151W	MG RESISTOR	150Ω 1/16W J	
R1703	NRSA6AJ-222W	MG RESISTOR	2.2kΩ 1/16W J		R3054	NRSA6AJ-0R0W	MG RESISTOR	0Ω 1/16W J	
R1704	NRSA6AJ-222W	MG RESISTOR	2.2kΩ 1/16W J		R3055	NRSA6AJ-0R0W	MG RESISTOR	0Ω 1/16W J	
R1705	NRSA6AJ-222W	MG RESISTOR	2.2kΩ 1/16W J		R3056	NRSA6AJ-683W	MG RESISTOR	68kΩ 1/16W J	



MODEL	MARK	MODEL	MARK	MODEL	MARK
GR-DF430AA	A	GR-DF430AS	E	GR-DF470AH	J
GR-DF430AC	B	GR-DF470AA	F	GR-DF470AS	K
GR-DF430AG	C	GR-DF470AC	G		
GR-DF430AH	D	GR-DF470AG	H		

△ Symbol No.	Part No.	Part Name	Description	Local	△ Symbol No.	Part No.	Part Name	Description	Local
R3057	NRSA6AJ-683W	MG RESISTOR	68kΩ 1/16W J		R3735	NRSA6AD-182W	MG RESISTOR	1.8kΩ 1/16W D	
R3060	NRSA6AJ-102W	MG RESISTOR	1kΩ 1/16W J		R3736	NRSA6AJ-183W	MG RESISTOR	18kΩ 1/16W J	
R3061	NRSA6AJ-0R0W	MG RESISTOR	0Ω 1/16W J		R3737	NRSA6AJ-183W	MG RESISTOR	18kΩ 1/16W J	
R3063	NRSA6AJ-0R0W	MG RESISTOR	0Ω 1/16W J		R3738	NRSA6AJ-681W	MG RESISTOR	680Ω 1/16W J	
R3064	NRSA6AJ-0R0W	MG RESISTOR	0Ω 1/16W J		R3739	NRSA6AJ-821W	MG RESISTOR	820Ω 1/16W J	
R3065	NRSA6AJ-0R0W	MG RESISTOR	0Ω 1/16W J F,G,H,J,K		R3740	NRSA6AJ-821W	MG RESISTOR	820Ω 1/16W J	
R3066	NRSA6AJ-103W	MG RESISTOR	10kΩ 1/16W J		R3741	NRSA6AJ-102W	MG RESISTOR	1kΩ 1/16W J	
R3067	NRSA6AJ-0R0W	MG RESISTOR	0Ω 1/16W J F,G,H,J,K		R3744	NRSA6AD-561W	MG RESISTOR	560Ω 1/16W D	
R3068	NRSA6AJ-0R0W	MG RESISTOR	0Ω 1/16W J		R3745	NRSA6AD-152W	MG RESISTOR	1.5kΩ 1/16W D	
R3069	NRSA6AJ-470W	MG RESISTOR	47Ω 1/16W J F,G,H,J,K		R3746	NRSA6AJ-222W	MG RESISTOR	2.2kΩ 1/16W J	
R3070	NRSA6AJ-470W	MG RESISTOR	47Ω 1/16W J		R3747	NRSA6AJ-102W	MG RESISTOR	1kΩ 1/16W J	
R3071	NRSA6AJ-0R0W	MG RESISTOR	0Ω 1/16W J		R3748	NRSA6AJ-474W	MG RESISTOR	470kΩ 1/16W J	
R3072	NRSA6AJ-0R0W	MG RESISTOR	0Ω 1/16W J		R4201	NRSA6AJ-333W	MG RESISTOR	33kΩ 1/16W J	
R3073	NRSA6AJ-0R0W	MG RESISTOR	0Ω 1/16W J		R4202	NRSA6AJ-100W	MG RESISTOR	10Ω 1/16W J	
R3074	NRSA6AJ-0R0W	MG RESISTOR	0Ω 1/16W J		R4203	NRSA6AJ-100W	MG RESISTOR	10Ω 1/16W J	
R3076	NRSA6AJ-0R0W	MG RESISTOR	0Ω 1/16W J		R4204	NRSA6AJ-100W	MG RESISTOR	10Ω 1/16W J	
R3078	NRSA6AJ-0R0W	MG RESISTOR	0Ω 1/16W J		R4205	NRSA6AJ-0R0W	MG RESISTOR	0Ω 1/16W J	
R3081	NRSA6AJ-100W	MG RESISTOR	10Ω 1/16W J F,G,H,J,K		R4206	NRSA6AJ-0R0W	MG RESISTOR	0Ω 1/16W J	
R3082	NRSA6AJ-100W	MG RESISTOR	10Ω 1/16W J F,G,H,J,K		R4901	NRSA6AJ-243W	MG RESISTOR	24kΩ 1/16W J	
R3083	NRSA6AJ-100W	MG RESISTOR	10Ω 1/16W J F,G,H,J,K		R4902	NRSA6AJ-103W	MG RESISTOR	10kΩ 1/16W J	
R3084	NRSA6AJ-100W	MG RESISTOR	10Ω 1/16W J F,G,H,J,K		R4903	NRSA6AJ-822W	MG RESISTOR	8.2kΩ 1/16W J	
R3085	NRSA6AJ-100W	MG RESISTOR	10Ω 1/16W J		R4904	NRSA6AJ-103W	MG RESISTOR	10kΩ 1/16W J	
R3089	NRSA6AJ-100W	MG RESISTOR	10Ω 1/16W J		R4905	NRSA6AJ-153W	MG RESISTOR	15kΩ 1/16W J	
R3090	NRSA6AJ-0R0W	MG RESISTOR	0Ω 1/16W J		R4906	NRSA6AJ-564W	MG RESISTOR	560kΩ 1/16W J	
R3092	NRSA6AJ-0R0W	MG RESISTOR	0Ω 1/16W J		R4907	NRSA6AJ-105W	MG RESISTOR	1MΩ 1/16W J	
R3093	NRSA6AJ-822W	MG RESISTOR	8.2kΩ 1/16W J		R4908	NRSA6AJ-472W	MG RESISTOR	4.7kΩ 1/16W J	
R3094	NRSA6AJ-563W	MG RESISTOR	56kΩ 1/16W J		R4909	NRSA6AJ-105W	MG RESISTOR	1MΩ 1/16W J	
R3095	NRSA6AJ-563W	MG RESISTOR	56kΩ 1/16W J		R4910	NRSA6AJ-101W	MG RESISTOR	100Ω 1/16W J	
R3097	NRSA6AJ-0R0W	MG RESISTOR	0Ω 1/16W J A,B,C,D,E		R4911	NRSA6AJ-101W	MG RESISTOR	100Ω 1/16W J	
R3097	NRSA6AJ-102W	MG RESISTOR	1kΩ 1/16W J F,G,H,J,K		R4912	NRSA6AJ-101W	MG RESISTOR	100Ω 1/16W J	
R3201	NRSA6AJ-101W	MG RESISTOR	100Ω 1/16W J		R4917	NRSA6AJ-103W	MG RESISTOR	10kΩ 1/16W J	
R3202	NRSA6AD-183W	MG RESISTOR	18kΩ 1/16W D		R4918	NRSA6AJ-103W	MG RESISTOR	10kΩ 1/16W J	
R3203	NRSA6AD-123W	MG RESISTOR	12kΩ 1/16W D		R4923	NRSA6AJ-123W	MG RESISTOR	12kΩ 1/16W J	
R3204	NRSA6AD-821W	MG RESISTOR	820Ω 1/16W D		R4924	NRSA6AJ-123W	MG RESISTOR	12kΩ 1/16W J	
R3205	NRSA6AD-821W	MG RESISTOR	820Ω 1/16W D		R4935	NRSA6AJ-104W	MG RESISTOR	100kΩ 1/16W J	
R3207	NRSA6AJ-0R0W	MG RESISTOR	0Ω 1/16W J		R4944	NRSA6AJ-0R0W	MG RESISTOR	0Ω 1/16W J	
R3212	NRSA6AJ-0R0W	MG RESISTOR	0Ω 1/16W J		R4945	NRSA6AJ-103W	MG RESISTOR	10kΩ 1/16W J	
R3213	NRSA6AJ-0R0W	MG RESISTOR	0Ω 1/16W J		R4951	NRSA6AJ-102W	MG RESISTOR	1kΩ 1/16W J	
R3214	NRSA6AJ-0R0W	MG RESISTOR	0Ω 1/16W J		R4952	NRSA6AJ-102W	MG RESISTOR	1kΩ 1/16W J	
R3501	NRSA6AJ-471W	MG RESISTOR	470Ω 1/16W J		R4953	NRSA6AJ-102W	MG RESISTOR	1kΩ 1/16W J	
R3502	NRSA6AJ-104W	MG RESISTOR	100kΩ 1/16W J		R4954	NRSA6AJ-102W	MG RESISTOR	1kΩ 1/16W J	
R3503	NRSA6AJ-102W	MG RESISTOR	1kΩ 1/16W J		R4955	NRSA6AJ-101W	MG RESISTOR	100Ω 1/16W J	
R3504	NRVA6AD-241W	CMF RESISTOR	240Ω 1/16W D		R4956	NRSA6AJ-4R7W	MG RESISTOR	4.7Ω 1/16W J	
R3505	NRVA6AD-241W	CMF RESISTOR	240Ω 1/16W D		R4957	NRSA6AJ-4R7W	MG RESISTOR	4.7Ω 1/16W J	
R3506	NRVA6AD-241W	CMF RESISTOR	240Ω 1/16W D		R4959	NRSA6AJ-4R7W	MG RESISTOR	4.7Ω 1/16W J	
R3507	NRVA6AD-241W	CMF RESISTOR	240Ω 1/16W D		R4960	NRSA6AJ-4R7W	MG RESISTOR	4.7Ω 1/16W J	
R3508	NRSA6AJ-223W	MG RESISTOR	22kΩ 1/16W J		R4961	NRSA6AJ-271W	MG RESISTOR	270Ω 1/16W J	
R3512	NRSA6AJ-0R0W	MG RESISTOR	0Ω 1/16W J		R5501	NRSA6AJ-102W	MG RESISTOR	1kΩ 1/16W J	
R3513	NRSA6AJ-471W	MG RESISTOR	470Ω 1/16W J		R5502	NRSA6AJ-102W	MG RESISTOR	1kΩ 1/16W J	
R3514	NRSA6AJ-471W	MG RESISTOR	470Ω 1/16W J		R5503	NRSA6AJ-102W	MG RESISTOR	1kΩ 1/16W J	
R3515	NRSA6AJ-102W	MG RESISTOR	1kΩ 1/16W J		R5504	NRSA6AJ-100W	MG RESISTOR	10Ω 1/16W J	
R3516	NRSA6AJ-0R0W	MG RESISTOR	0Ω 1/16W J		R5505	NRSA6AJ-100W	MG RESISTOR	10Ω 1/16W J	
R3517	NRSA6AJ-0R0W	MG RESISTOR	0Ω 1/16W J		R5506	NRSA6AJ-100W	MG RESISTOR	10Ω 1/16W J	
R3518	NRSA6AJ-0R0W	MG RESISTOR	0Ω 1/16W J		R5507	NRSA6AJ-100W	MG RESISTOR	10Ω 1/16W J	
R3519	NRSA6AJ-0R0W	MG RESISTOR	0Ω 1/16W J		R5508	NRSA6AJ-100W	MG RESISTOR	10Ω 1/16W J	
R3701	NRSA6AD-271W	MG RESISTOR	270Ω 1/16W D		R5509	NRSA6AJ-100W	MG RESISTOR	10Ω 1/16W J	
R3703	NRSA6AJ-332W	MG RESISTOR	3.3kΩ 1/16W J		R5510	NRSA6AJ-104W	MG RESISTOR	100kΩ 1/16W J	
R3704	NRSA6AD-301W	MG RESISTOR	300Ω 1/16W D		R6001	NRSA6AJ-102W	MG RESISTOR	1kΩ 1/16W J	
R3707	NRSA6AD-680W	MG RESISTOR	68Ω 1/16W D		R6005	NRSA6AD-303W	MG RESISTOR	30kΩ 1/16W D	
R3708	NRSA6AD-680W	MG RESISTOR	68Ω 1/16W D		R6007	NRSA6AD-473W	MG RESISTOR	47kΩ 1/16W D	
R3709	NRSA6AD-680W	MG RESISTOR	68Ω 1/16W D		R6008	NRSA6AD-823W	MG RESISTOR	82kΩ 1/16W D	
R3710	NRSA6AJ-0R0W	MG RESISTOR	0Ω 1/16W J		R6009	NRSA6AD-333W	MG RESISTOR	33kΩ 1/16W D	
R3712	NRSA6AJ-105W	MG RESISTOR	1MΩ 1/16W J		△ R6010	NRSA6AJ-102W	MG RESISTOR	1kΩ 1/16W J	
R3713	NRSA6AJ-104W	MG RESISTOR	100kΩ 1/16W J		R6103	NRSA6AJ-822W	MG RESISTOR	8.2kΩ 1/16W J	
R3714	NRSA6AJ-823W	MG RESISTOR	82kΩ 1/16W J		R6104	NRSA6AJ-0R0W	MG RESISTOR	0Ω 1/16W J	
R3715	NRSA6AJ-103W	MG RESISTOR	10kΩ 1/16W J		R6105	NRSA6AJ-123W	MG RESISTOR	12kΩ 1/16W J	
R3718	NRSA6AJ-0R0W	MG RESISTOR	0Ω 1/16W J		R6106	NRSA6AJ-104W	MG RESISTOR	100kΩ 1/16W J	
R3722	NRSA6AD-151W	MG RESISTOR	150Ω 1/16W D		R6107	NRSA6AD-243W	MG RESISTOR	24kΩ 1/16W D	
R3724	NRSA6AJ-472W	MG RESISTOR	4.7kΩ 1/16W J		R6108	NRSA6AD-363W	MG RESISTOR	36kΩ 1/16W D	
R3725	NRSA6AD-151W	MG RESISTOR	150Ω 1/16W D		R6110	NRSA6AJ-332W	MG RESISTOR	3.3kΩ 1/16W J	
R3726	NRSA6AJ-472W	MG RESISTOR	4.7kΩ 1/16W J		R6203	NRSA6AJ-0R0W	MG RESISTOR	0Ω 1/16W J	
R3727	NRSA6AJ-472W	MG RESISTOR	4.7kΩ 1/16W J		R6204	NRSA6AJ-822W	MG RESISTOR	8.2kΩ 1/16W J	
R3728	NRSA6AD-151W	MG RESISTOR	150Ω 1/16W D		R6303	NRSA6AJ-104W	MG RESISTOR	100kΩ 1/16W J	
R3730	NRSA6AJ-472W	MG RESISTOR	4.7kΩ 1/16W J		R6304	NRSA6AJ-123W	MG RESISTOR	12kΩ 1/16W J	
R3731	NRSA6AJ-472W	MG RESISTOR	4.7kΩ 1/16W J		R6305	NRSA6AJ-103W	MG RESISTOR	10kΩ 1/16W J	
R3732	NRSA6AJ-101W	MG RESISTOR	100Ω 1/16W J		R6403	NRSA6AJ-273W	MG RESISTOR	27kΩ 1/16W J	
R3733	NRSA6AD-561W	MG RESISTOR	560Ω 1/16W D		R6404	NRSA6AJ-473W	MG RESISTOR	47kΩ 1/16W J	
R3734	NRSA6AJ-822W	MG RESISTOR	8.2kΩ 1/16W J		R6503	NRSA6AD-823W	MG RESISTOR	82kΩ 1/16W D	



MODEL	MARK	MODEL	MARK	MODEL	MARK
GR-DF430AA	A	GR-DF430AS	E	GR-DF470AH	J
GR-DF430AC	B	GR-DF470AA	F	GR-DF470AS	K
GR-DF430AG	C	GR-DF470AC	G		
GR-DF430AH	D	GR-DF470AG	H		

Symbol No.	Part No.	Part Name	Description	Local
R6504	NRSA6AD-823W	MG RESISTOR	82kΩ 1/16W D	
R6505	NRSA6AJ-185W	MG RESISTOR	1.8MΩ 1/16W J	
R6506	NRSA6AJ-103W	MG RESISTOR	10kΩ 1/16W J	
R6507	NRSA6AJ-333W	MG RESISTOR	33kΩ 1/16W J	
R6508	NRSA6AJ-102W	MG RESISTOR	1kΩ 1/16W J	
R6512	NRSA6AJ-473W	MG RESISTOR	47kΩ 1/16W J	
R6513	NRSA6AJ-272W	MG RESISTOR	2.7kΩ 1/16W J	
R6701	NRSA6AJ-0R0W	MG RESISTOR	0Ω 1/16W J	
R6702	NRV142F-R20X	CMF RESISTOR	0.2Ω 1/4W F	
R6704	NRSA6AJ-105W	MG RESISTOR	1MΩ 1/16W J	
R6705	NRSA6AJ-105W	MG RESISTOR	1MΩ 1/16W J	
R6706	NRSA6AJ-103W	MG RESISTOR	10kΩ 1/16W J	
R6707	NRSA6AJ-152W	MG RESISTOR	1.5kΩ 1/16W J	
R6708	NRSA6AJ-153W	MG RESISTOR	15kΩ 1/16W J	
R6709	NRSA6AJ-114W	MG RESISTOR	110kΩ 1/16W J	
R6710	NRSA6AJ-124W	MG RESISTOR	120kΩ 1/16W J	
R6712	NRSA6AJ-561W	MG RESISTOR	560Ω 1/16W J	
R6713	NRSA6AJ-104W	MG RESISTOR	100kΩ 1/16W J	
R6714	NRSA6AJ-472W	MG RESISTOR	4.7kΩ 1/16W J	
R6715	NRSA6AD-472W	MG RESISTOR	4.7kΩ 1/16W D	
R6716	NRSA6AJ-822W	MG RESISTOR	8.2kΩ 1/16W J	
R6717	NRSA6AD-183W	MG RESISTOR	18kΩ 1/16W D	
R6718	NRSA6AJ-0R0W	MG RESISTOR	0Ω 1/16W J	
R6802	NRSA6AJ-472W	MG RESISTOR	4.7kΩ 1/16W J	
R6803	NRSA6AJ-102W	MG RESISTOR	1kΩ 1/16W J	
R8002	NRSA6AJ-103W	MG RESISTOR	10kΩ 1/16W J F,G,H,J,K	
R8008	NRSA6AJ-561W	MG RESISTOR	560Ω 1/16W J F,G,H,J,K	
R8009	NRSA6AJ-105W	MG RESISTOR	1MΩ 1/16W J F,G,H,J,K	
R8011	NRSA6AJ-0R0W	MG RESISTOR	0Ω 1/16W J F,G,H,J,K	
R8012	NRSA6AJ-0R0W	MG RESISTOR	0Ω 1/16W J F,G,H,J,K	
R8015	NRSA6AJ-473W	MG RESISTOR	47kΩ 1/16W J F,G,H,J,K	
R8016	NRSA6AJ-103W	MG RESISTOR	10kΩ 1/16W J F,G,H,J,K	
R8017	NRSA6AJ-103W	MG RESISTOR	10kΩ 1/16W J F,G,H,J,K	
R8019	NRSA6AJ-221W	MG RESISTOR	220Ω 1/16W J F,G,H,J,K	
R8021	NRSA6AJ-221W	MG RESISTOR	220Ω 1/16W J F,G,H,J,K	
R8022	NRSA6AJ-0R0W	MG RESISTOR	0Ω 1/16W J F,G,H,J,K	
R8023	NRSA6AJ-472W	MG RESISTOR	4.7kΩ 1/16W J F,G,H,J,K	
R8025	NRSA6AJ-472W	MG RESISTOR	4.7kΩ 1/16W J F,G,H,J,K	
R8031	NRSA6AJ-100W	MG RESISTOR	10Ω 1/16W J F,G,H,J,K	
R8032	NRSA6AJ-0R0W	MG RESISTOR	0Ω 1/16W J F,G,H,J,K	
R8033	NRSA63J-0R0X	MG RESISTOR	0Ω 1/16W J F,G,H,J,K	
R8036	NRSA6AJ-220W	MG RESISTOR	22Ω 1/16W J F,G,H,J,K	
R8041	NRSA6AJ-220W	MG RESISTOR	22Ω 1/16W J F,G,H,J,K	
R8042	NRSA6AJ-220W	MG RESISTOR	22Ω 1/16W J F,G,H,J,K	
R8043	NRSA6AJ-0R0W	MG RESISTOR	0Ω 1/16W J F,G,H,J,K	
R8046	NRSA6AJ-101W	MG RESISTOR	100Ω 1/16W J F,G,H,J,K	
R8050	NRSA6AJ-0R0W	MG RESISTOR	0Ω 1/16W J F,G,H,J,K	
R8051	NRSA6AJ-0R0W	MG RESISTOR	0Ω 1/16W J F,G,H,J,K	
R8055	NRSA6AJ-0R0W	MG RESISTOR	0Ω 1/16W J F,G,H,J,K	
R8101	NRSA6AJ-470W	MG RESISTOR	47Ω 1/16W J F,G,H,J,K	
R8103	NRSA6AJ-102W	MG RESISTOR	1kΩ 1/16W J F,G,H,J,K	
R8106	NRSA6AJ-221W	MG RESISTOR	220Ω 1/16W J F,G,H,J,K	
R8602	NRSA6AJ-103W	MG RESISTOR	10kΩ 1/16W J F,G,H,J,K	
R8603	NRSA6AJ-103W	MG RESISTOR	10kΩ 1/16W J F,G,H,J,K	
R8615	NRSA6AJ-0R0W	MG RESISTOR	0Ω 1/16W J F,G,H,J,K	
R8618	NRSA6AJ-105W	MG RESISTOR	1MΩ 1/16W J F,G,H,J,K	
R8619	NRVA6AD-622W	CMF RESISTOR	6.2kΩ 1/16W D F,G,H,J,K	
R8621	NRSA6AJ-104W	MG RESISTOR	100kΩ 1/16W J F,G,H,J,K	
R8622	NRSA6AJ-154W	MG RESISTOR	150kΩ 1/16W J F,G,H,J,K	
R8623	NRSA6AJ-104W	MG RESISTOR	100kΩ 1/16W J F,G,H,J,K	
RA1001	NRZ0034-473W	NET RESISTOR	47kΩ 1/32W J	
RA1003	NRZ0034-104W	NET RESISTOR	100kΩ 1/32W J	
RA1004	NRZ0034-104W	NET RESISTOR	100kΩ 1/32W J	
RA3003	NRZ0034-100W	NET RESISTOR	10Ω 1/32W J	
RA3004	NRZ0034-100W	NET RESISTOR	10Ω 1/32W J	
RA3005	NRZ0034-100W	NET RESISTOR	10Ω 1/32W J F,G,H,J,K	
RA3006	NRZ0034-100W	NET RESISTOR	10Ω 1/32W J F,G,H,J,K	
RA3007	NRZ0034-100W	NET RESISTOR	10Ω 1/32W J F,G,H,J,K	
RA3008	NRZ0034-100W	NET RESISTOR	10Ω 1/32W J F,G,H,J,K	
RA3009	NRZ0034-100W	NET RESISTOR	10Ω 1/32W J F,G,H,J,K	
RA3010	NRZ0034-100W	NET RESISTOR	10Ω 1/32W J F,G,H,J,K	
RA3011	NRZ0034-100W	NET RESISTOR	10Ω 1/32W J	
RA3012	NRZ0034-103W	NET RESISTOR	10kΩ 1/32W J	
RA3201	NRZ0034-100W	NET RESISTOR	10Ω 1/32W J	
RA3202	NRZ0034-100W	NET RESISTOR	10Ω 1/32W J	
RA4201	NRZ0034-0R0W	NET RESISTOR	0Ω 1/32W J	
RA4202	NRZ0034-0R0W	NET RESISTOR	0Ω 1/32W J	
RA8001	NRZ0034-101W	NET RESISTOR	100Ω 1/32W J F,G,H,J,K	

Symbol No.	Part No.	Part Name	Description	Local
RA8002	NRZ0034-101W	NET RESISTOR	100Ω 1/32W J F,G,H,J,K	
RA8003	NRZ0034-101W	NET RESISTOR	100Ω 1/32W J F,G,H,J,K	
RA8004	NRZ0034-101W	NET RESISTOR	100Ω 1/32W J F,G,H,J,K	
RA8005	NRZ0034-103W	NET RESISTOR	10kΩ 1/32W J F,G,H,J,K	
RA8601	NRZ0034-103W	NET RESISTOR	10kΩ 1/32W J F,G,H,J,K	
RA8602	NRZ0034-103W	NET RESISTOR	10kΩ 1/32W J F,G,H,J,K	
RA8605	NRZ0034-0R0W	NET RESISTOR	0Ω 1/32W J F,G,H,J,K	
RA8606	NRZ0034-0R0W	NET RESISTOR	0Ω 1/32W J F,G,H,J,K	
L1001	NQLC32M-100X	COIL	10uH M	
L1002	NQLC32M-100X	COIL	10uH M	
L1701	NQL382M-100X	COIL	10uH M	
L1702	NRSA02J-0R0X	MG RESISTOR	0Ω 1/10W J	
L2401	NQLC32M-100X	COIL	10uH M	
L2402	NQLC32M-100X	COIL	10uH M	
L2601	NQR0269-013X	FERRITE BEADS		
L2602	NQR0269-013X	FERRITE BEADS		
L2603	NQR0269-013X	FERRITE BEADS		
L2801	NQR0006-001X	FERRITE BEADS		F,G,H,J,K
L3001	NQLC32M-100X	COIL	10uH M	
L3002	NQR0006-001X	FERRITE BEADS		
L3003	NQR0006-001X	FERRITE BEADS		
L3004	NQLC32M-100X	COIL	10uH M	
L3005	NQR0006-001X	FERRITE BEADS		
L3007	NQR0006-001X	FERRITE BEADS		
L3008	NQLC32M-100X	COIL	10uH M	
L3009	NQR0006-001X	FERRITE BEADS		
L3010	NQL085J-120X	COIL	12uH J	
L3012	NQL085J-2R2X	COIL	2.2uH J	
L3201	NQR0129-002X	FERRITE BEADS		
L3202	NQR0129-002X	FERRITE BEADS		
L3203	NQR0006-001X	FERRITE BEADS		
L3204	NQLC32M-100X	COIL	10uH M	
L3501	NQR0006-001X	FERRITE BEADS		
L3502	NQLC32M-100X	COIL	10uH M	
L3503	NQR0006-001X	FERRITE BEADS		
L3504	NQR0006-001X	FERRITE BEADS		
L3505	NQR0006-001X	FERRITE BEADS		
L3701	NQLC32M-100X	COIL	10uH M	
L4201	NQR0129-002X	FERRITE BEADS		
L4202	NQLC32M-100X	COIL	10uH M	
L4901	NQR0129-002X	FERRITE BEADS		
L4902	NQL38DK-100X	P COIL	10uH K	
L4953	NQR0129-002X	FERRITE BEADS		
L4954	NQL38DK-100X	P COIL	10uH K	
L4955	NQL38DK-100X	P COIL	10uH K	
L5501	NQLC32M-100X	COIL	10uH M	
L5502	NQR0129-002X	FERRITE BEADS		
L5503	NQR0129-002X	FERRITE BEADS		
L5504	NQR0129-002X	FERRITE BEADS		
L5505	NQLC32M-100X	COIL	10uH M	
L5506	NQLC32M-100X	COIL	10uH M	
L5507	NQLC32M-100X	COIL	10uH M	
L5508	NQR0129-002X	FERRITE BEADS		
L6001	NQLZ012-4R7X	COIL	4.7uH	
L6002	NQLZ012-4R7X	COIL	4.7uH	
L6101	NQL87EN-390X	COIL	39uH N	
L6201	NQL87EN-390X	COIL	39uH N	
L6301	NQLZ012-470X	COIL	47uH	
L6401	NQLZ012-470X	COIL	47uH	
L6501	NQL52EM-221X	COIL	220uH M	
L6502	NQL38DK-100X	P COIL	10uH K	
L6701	NQL52EM-390X	COIL	39uH M	
L6702	NQL79GM-220X	COIL	22uH M	
L6801	NQL79GM-470X	COIL	47uH M	
L8001	NQR0129-002X	FERRITE BEADS		F,G,H,J,K
L8002	NQR0129-002X	FERRITE BEADS		F,G,H,J,K
L8003	NQR0129-002X	FERRITE BEADS		F,G,H,J,K
L8005	NQR0129-002X	FERRITE BEADS		F,G,H,J,K
L8006	NQR0006-001X	FERRITE BEADS		F,G,H,J,K
L8007	NQR0129-002X	FERRITE BEADS		F,G,H,J,K
L8101	NQR0006-001X	FERRITE BEADS		F,G,H,J,K
L8102	NQR0006-001X	FERRITE BEADS		F,G,H,J,K
L8601	NQR0129-002X	FERRITE BEADS		F,G,H,J,K
L8602	NQR0129-002X	FERRITE BEADS		F,G,H,J,K
L8603	NQR0006-001X	FERRITE BEADS		F,G,H,J,K
L8604	NQR0006-001X	FERRITE BEADS		F,G,H,J,K
L8606	NQLC32M-100X	COIL	10uH M F,G,H,J,K	

MODEL	MARK	MODEL	MARK	MODEL	MARK
GR-DF430AA	A	GR-DF430AS	E	GR-DF470AH	J
GR-DF430AC	B	GR-DF470AA	F	GR-DF470AS	K
GR-DF430AG	C	GR-DF470AC	G		
GR-DF430AH	D	GR-DF470AG	H		

△ Symbol No.	Part No.	Part Name	Description	Local
L8607	NQR0129-002X	FERRITE BEADS		F,G,H,J,K
L8610	NQR0536-001X	CHOKO COIL		F,G,H,J,K
CN101	QGF0549C2-20W	CONNECTOR	CCD FFC/FPC (1-20)	
CN102	QGF0549C1-22W	CONNECTOR	OP FFC/FPC (1-22)	
CN103	QGF0528F1-40X	CONNECTOR	REAR PWB FFC/FPC (1-40)	
CN104	QGF0530F3-30W	CONNECTOR	MDA PWB FFC/FPC (1-30)	
CN105	QGF0547C2-45X	CONNECTOR	MONIOPE FFC/FPC (1-45)	
CN106	QGF0543F1-16X	CONNECTOR	SENSOR FFC/FPC (1-16)	
CN107	QGF0530F3-16W	CONNECTOR	FRONT FFC/FPC (1-16)	
CN108	QGF0530F3-14W	CONNECTOR	CAMERA OPE FFC/FPC (1-14)	
CN109	QGF0520F1-08X	CONNECTOR	HEAD FFC/FPC (1-8)	A,B,F,G
CN109	QGF0517F1-08X	CONNECTOR	HEAD FFC/FPC (1-8)	C,D,E,H,J,K
CN112	QGA1001F1-02X	CONNECTOR	SPEAKER W-B (1-2)	
CN113	QGB0519J1-40X	CONNECTOR	JIG CN B-B (1-40)	
CN114	QGA1001F1-04X	CONNECTOR	INT MIC W-B (1-4)	
△ F6001	NMFZ007-2R5X-K	FUSE	2.5A 24V	
J101	QNZ0497-001	USB(B) CONNECTOR	USB USB(MINI-B)	F,G,H,J,K
J102	QNZ0732-001	D CONNECTOR	DV	
X1001	NAX0645-001X	CRYSTAL		
X1002	NAX0564-001X	CRYSTAL	32.768kHz	
X5501	NAX0587-001X	CXO	54.0000MHz	
X8601	NAX0713-001X	CRYSTAL		F,G,H,J,K
OT1	LY34954-001B	SPACER(OP)	OP HOLD	A,B,F,G
OT1	LY34954-001A	SPACER(OP)	OP HOLD	C,D,E,H,J,K
OT2	LY30034-0W6A	SPACER(A)	JVM ONLY	A,B,F,G
SD1	LY34802-001A	SHIELD CASE	PREREC	

### CCD BOARD ASSEMBLY <02>

△ Symbol No.	Part No.	Part Name	Description	Local
PW1	LYA10037-01C	CCD BOARD ASSY		A,B,F,G
PW1	LYA10037-01B	CCD BOARD ASSY		C,D,E,H,J,K,L
Q5001	2SC3931/CD/-X	TRANSISTOR		
Q5002	2SC4081/QR/-X	TRANSISTOR		
C5001	NBP41EM-475X-B	TA E CAPACITOR	4.7uF 25V M	
C5002	NCB31CK-104X	C CAPACITOR	0.1uF 16V K	
C5003	NBP21CM-106X	TA E CAPACITOR	10uF 16V M	
C5004	NCB31CK-104X	C CAPACITOR	0.1uF 16V K	
C5005	NCB31CK-104X	C CAPACITOR	0.1uF 16V K	
C5006	NCB31CK-104X	C CAPACITOR	0.1uF 16V K	
C5007	NCB31HK-222X	C CAPACITOR	2200pF 50V K	
R5001	NRSA63J-472X	MG RESISTOR	4.7kΩ 1/16W J	
R5002	NRSA63J-472X	MG RESISTOR	4.7kΩ 1/16W J	
L5001	NQL315K-100X	COIL	10uH K	
L5002	NQL315K-100X	COIL	10uH K	

### MDA BOARD ASSEMBLY <03>

△ Symbol No.	Part No.	Part Name	Description	Local
PW1	LYA10030-01C	MDA BOARD ASSY		
IC1601	BD6637KV	IC	MDA 64PIN	
Q1601	UMC3N-W	DIGI TRANSISTOR	LD ON	
Q1601	or XP03311-W	DIGI TRANSISTOR	LD ON	
D1603	DAP222-X	DIODE ARRAY	LD ON	
D1603	or MA132WA-X	SI DIODE		
C1601	NCBA1CK-103W	C CAPACITOR	0.01uF 16V K	
C1602	NBZ0015-106X	TA E CAPACITOR	10uF 6.3V M	
C1603	NBZ0015-106X	TA E CAPACITOR	10uF 6.3V M	
C1605	NCBA1AK-104W	C CAPACITOR	0.1uF 10V K	
C1606	NCBA1HK-152W	C CAPACITOR	1500pF 50V K	
C1607	NCBA1CK-473W	C CAPACITOR	0.047uF 16V K	
C1614	NBE91AM-475X	TA E CAPACITOR	4.7uF 10V M	

△ Symbol No.	Part No.	Part Name	Description	Local
C1618	NCBA1HK-222W	C CAPACITOR	2200pF 50V K	
C1619	NCBA1HK-222W	C CAPACITOR	2200pF 50V K	
C1620	NCBA1HK-222W	C CAPACITOR	2200pF 50V K	
C1621	NCB30JK-105X	C CAPACITOR	1uF 6.3V K	
C1622	NCBA1CK-223W	C CAPACITOR	0.022uF 16V K	
C1623	NCBA1AK-473W	C CAPACITOR	0.047uF 10V K	
C1624	NCBA1CK-103W	C CAPACITOR	0.01uF 16V K	
C1625	NDCA1HJ-101W	C CAPACITOR	100pF 50V J	
C1626	NCBA1EK-472W	C CAPACITOR	4700pF 25V K	
C1627	NCBA1EK-472W	C CAPACITOR	4700pF 25V K	
C1628	NCB31CK-224X	C CAPACITOR	0.22uF 16V K	
C1629	NCJ31EK-224X-A	C CAPACITOR	0.22uF 25V K	
C1630	NCJ31EK-224X-A	C CAPACITOR	0.22uF 25V K	
C1631	NBZ0015-106X	TA E CAPACITOR	10uF 6.3V M	
C1632	NCB21CK-474X	C CAPACITOR	0.47uF 16V K	
C1633	NCB30JK-474X	C CAPACITOR	0.47uF 6.3V K	

R1601	NRSA6AJ-681W	MG RESISTOR	680Ω 1/16W J	
R1602	NRSA6AJ-124W	MG RESISTOR	120kΩ 1/16W J	
R1603	NRSA6AJ-472W	MG RESISTOR	4.7kΩ 1/16W J	
R1604	NRSA6AJ-104W	MG RESISTOR	100kΩ 1/16W J	
R1610	NRSA6AJ-391W	MG RESISTOR	390Ω 1/16W J	
R1611	NRSA6AJ-391W	MG RESISTOR	390Ω 1/16W J	
R1612	NRSA6AJ-104W	MG RESISTOR	100kΩ 1/16W J	
R1613	NRSA6AJ-102W	MG RESISTOR	1kΩ 1/16W J	
R1614	NRZ0072-R330X	MG RESISTOR	0.33Ω 1/4W F	
R1616	NRSA6AD-392W	MG RESISTOR	3.9kΩ 1/16W D	
R1617	NRZ0072-R330X	MG RESISTOR	0.33Ω 1/4W F	
R1620	NRSA6AJ-683W	MG RESISTOR	68kΩ 1/16W J	
R1621	NRSA6AJ-103W	MG RESISTOR	10kΩ 1/16W J	
R1622	NRSA6AJ-103W	MG RESISTOR	10kΩ 1/16W J	
R1624	NRSA6AD-183W	MG RESISTOR	18kΩ 1/16W D	
R1625	NRSA6AD-681W	MG RESISTOR	680Ω 1/16W D	
R1629	NRSA6AJ-564W	MG RESISTOR	560kΩ 1/16W J	
R1635	NRSA6AJ-332W	MG RESISTOR	3.3kΩ 1/16W J	
R1636	NRSA6AJ-123W	MG RESISTOR	12kΩ 1/16W J	
R1637	NRSA6AJ-154W	MG RESISTOR	150kΩ 1/16W J	

L1601	NQL382M-100X	COIL	10uH M	
CN301	QGF0530F3-18W	CONNECTOR	CAPSTAN FFC/FPC (1-18)	
CN302	QGF0532F2-11X	CONNECTOR	DRUM MOTOR FFC/FPC (1-11)	
CN303	QGF0530F3-06W	CONNECTOR	RENCODER FFC/FPC (1-6)	
CN304	QGF0517F2-06X	CONNECTOR	LOAD MOTOR FFC/FPC (1-6)	
CN305	QGF0530F3-30W	CONNECTOR	MAIN PWB FFC/FPC (1-30)	
△ F1601	NMFZ007-R20X-K	FUSE	0.2A 50V	
△ F1602	NMFZ007-R50X-K	FUSE	0.5A 50V	
OT1	LY44587-001B	SHEET(MDA)	MECHA	
OT2	LY30034-080A	SPACER(A)	IC1601	
OT3	LY30034-051A	SPACER(A)	CN301	
WR1	WJT0180-001C-E	E-CARD WIRE	MAIN PWB	

### FRONT BOARD ASSEMBLY <04>

△ Symbol No.	Part No.	Part Name	Description	Local
PW1	LYA10031-02A	FRONT BOARD ASSY		A,B,C,D,E
PW1	LYA10031-01A	FRONT BOARD ASSY		F,G,H,J,K
IC401	RPM7138-SV4	IR DETECT UNIT	IR_SENSOR	
Q401	RPM-22PB	PHOTO TRANSISTOR		WB
Q402	BC847PN-X	PAIR TRANSISTOR		F,G,H,J,K
Q403	BC847PN-X	PAIR TRANSISTOR		F,G,H,J,K
Q404	2SC4617/RS/-X	TRANSISTOR		F,G,H,J,K
Q404	or BC847BT-X	TRANSISTOR		F,G,H,J,K
Q404	or 2SD2216J/RS/-X	TRANSISTOR		F,G,H,J,K
D401	UDZS6.8B-X	Z DIODE	EXT MIC	
D402	EW5806X/3LMH/	LED		F,G,H,J,K
D403	EW5806X/3LMH/	LED		F,G,H,J,K
C401	NBE20JM-106X	TA E CAPACITOR	10uF 6.3V M	
C402	NBE20JM-106X	TA E CAPACITOR	10uF 6.3V M	
C405	NCB31HK-102X	C CAPACITOR	1000pF 50V K	
C406	NCB31HK-102X	C CAPACITOR	1000pF 50V K	

MODEL	MARK	MODEL	MARK	MODEL	MARK
GR-DF430AA	A	GR-DF430AS	E	GR-DF470AH	J
GR-DF430AC	B	GR-DF470AA	F	GR-DF470AS	K
GR-DF430AG	C	GR-DF470AC	G		
GR-DF430AH	D	GR-DF470AG	H		

Symbol No.	Part No.	Part Name	Description	Local
R401	NRSA63J-152X	MG RESISTOR	1.5kΩ 1/16W J	
R402	NRSA63J-470X	MG RESISTOR	47Ω 1/16W J	
R403	NRSA63J-391X	MG RESISTOR	390Ω 1/16W J F,G,H,J,K	
R404	NRSA63J-182X	MG RESISTOR	1.8kΩ 1/16W J F,G,H,J,K	
R405	NRSA63J-152X	MG RESISTOR	1.5kΩ 1/16W J F,G,H,J,K	
R406	NRSA63J-270X	MG RESISTOR	27Ω 1/16W J F,G,H,J,K	
R407	NRSA63J-152X	MG RESISTOR	1.5kΩ 1/16W J F,G,H,J,K	
R408	NRSA63J-270X	MG RESISTOR	27Ω 1/16W J F,G,H,J,K	
R409	NRSA63J-103X	MG RESISTOR	10kΩ 1/16W J F,G,H,J,K	
R410	NRSA63J-473X	MG RESISTOR	47kΩ 1/16W J F,G,H,J,K	

L401	NQR0265-001X	FERRITE BEADS		
L402	NQR0269-013X	FERRITE BEADS		
L403	NQR0269-013X	FERRITE BEADS		
L404	NQR0269-013X	FERRITE BEADS		

CN401	QGF0530F3-16W	CONNECTOR	FFC/FPC (1-16)	
J401	QNS0147-001	3.5 JACK	EXT MIC	
S401	NSW0150-001X	PUSH SWITCH	EJECT SW	
OT1	LY30034-0T6A	SPACER(A)		F,G,H,J,K

### REAR BOARD ASSEMBLY <05>

Symbol No.	Part No.	Part Name	Description	Local
PW1	LYA10032-02B	REAR BOARD ASSY		A,B,C,D,E
PW1	LYA10032-01B	REAR BOARD ASSY		F,G,H,J,K

D501	EMZ6.8N-X	Z DIODE	BATT	
D502	UDZS6.8B-X	Z DIODE	ADP_L	
D502	or MA8068-X	Z DIODE	ADP_L	
D503	UDZS6.8B-X	Z DIODE	P_DET	
D503	or MA8068-X	Z DIODE	P_DET	

C501	NCB31CK-103X	C CAPACITOR	0.01uF 16V K	
C502	NCB31CK-103X	C CAPACITOR	0.01uF 16V K	
C506	NCB31EK-104X	C CAPACITOR	0.1uF 25V K	
C901	NCB31CK-103X	C CAPACITOR	0.01uF 16V K F,G,H,J,K	
C902	NBE20JM-106X	TA E CAPACITOR	10uF 6.3V M F,G,H,J,K	

R501	NRSA63J-101X	MG RESISTOR	100Ω 1/16W J	
R502	NRSA63J-101X	MG RESISTOR	100Ω 1/16W J	
R901	NRSA63J-103X	MG RESISTOR	10kΩ 1/16W J F,G,H,J,K	
R902	NRSA63J-103X	MG RESISTOR	10kΩ 1/16W J F,G,H,J,K	
R903	NRSA63J-103X	MG RESISTOR	10kΩ 1/16W J F,G,H,J,K	
R904	NRSA63J-103X	MG RESISTOR	10kΩ 1/16W J F,G,H,J,K	
R905	NRSA63J-103X	MG RESISTOR	10kΩ 1/16W J F,G,H,J,K	
R906	NRSA63J-103X	MG RESISTOR	10kΩ 1/16W J F,G,H,J,K	
R907	NRSA63J-221X	MG RESISTOR	220Ω 1/16W J F,G,H,J,K	

L501	NQR0251-004X	FERRITE BEADS		
L502	NQR0251-004X	FERRITE BEADS		
L503	NQR0251-004X	FERRITE BEADS		
L901	NQR0006-001X	FERRITE BEADS		F,G,H,J,K

CN501	QGF0528F1-40X	CONNECTOR	MAIN PWB FFC/FPC (1-40)	
CN901	NNZ0104-001X	SD CARD CONNE	SD	F,G,H,J,K
J501	QNA0039-001	DC JACK	DC JACK	
J502	QNS0147-003	3.5 JACK	AV OUT	
OT1	LY34726-001A	BATT. TERMINAL		
WR1	QUQ105-4006AA-E	FFC WIRE	FPC 40pin 6cm	

### MONI OPE BOARD ASSEMBLY <06>

Symbol No.	Part No.	Part Name	Description	Local
PW1	LYA10033-02A	MONI OPE BOARD ASSY		A,B,C,D,E
PW1	LYA10033-01A	MONI OPE BOARD ASSY		F,G,H,J,K

IC7801	AN2540FHQ	IC		
--------	-----------	----	--	--

Q7801	PUMX1-W	PAIR TRANSISTOR		
Q7801	or BC847S-X	PAIR TRANSISTOR		

Symbol No.	Part No.	Part Name	Description	Local
Q7801	or UMX1N-W	PAIR TRANSISTOR		
Q7802	EMX1-W	TRANSISTOR		
Q7803	EMX1-W	TRANSISTOR		
Q7804	EMX1-W	TRANSISTOR		
Q7805	PUMX1-W	PAIR TRANSISTOR		
Q7805	or BC847S-X	PAIR TRANSISTOR		
Q7805	or UMX1N-W	PAIR TRANSISTOR		
Q7806	XP4311-W	TRANSISTOR		
Q7806	or UMD3N-W	DIGI TRANSISTOR		
D601	MA8068-X	Z DIODE	S_DET	
D601	or UDZS6.8B-X	Z DIODE		

C7801	NBE90JM-106X	TA E CAPACITOR	10uF 6.3V M	
C7802	NCBA1AK-104W	C CAPACITOR	0.1uF 10V K	
C7803	NBE90JM-106X	TA E CAPACITOR	10uF 6.3V M	
C7804	NCBA1AK-104W	C CAPACITOR	0.1uF 10V K	
C7805	NCB30JK-105X	C CAPACITOR	1uF 6.3V K	
C7806	NCB30JK-105X	C CAPACITOR	1uF 6.3V K	
C7807	NCB30JK-105X	C CAPACITOR	1uF 6.3V K	
C7812	NCBA1AK-104W	C CAPACITOR	0.1uF 10V K	
C7813	NCB21AK-225X	C CAPACITOR	2.2uF 10V K	
C7814	NCB21AK-225X	C CAPACITOR	2.2uF 10V K	
C7815	NCB21AK-225X	C CAPACITOR	2.2uF 10V K	
C7816	NCB30JK-225X	C CAPACITOR	2.2uF 6.3V K	
C7817	NCBA1HK-152W	C CAPACITOR	1500pF 50V K	
C7819	NCB11CK-475X	C CAPACITOR	4.7uF 16V K	
C7824	NCB11CK-475X	C CAPACITOR	4.7uF 16V K	
C7825	NCB31CK-105X	C CAPACITOR	1uF 16V K	
C7826	NCB31CK-105X	C CAPACITOR	1uF 16V K	
C7827	NCB31CK-105X	C CAPACITOR	1uF 16V K	
C7828	NCB31CK-105X	C CAPACITOR	1uF 16V K	
C7831	NBE90JM-106X	TA E CAPACITOR	10uF 6.3V M	
C7832	NCBA1AK-104W	C CAPACITOR	0.1uF 10V K	
C7833	NCB11CK-475X	C CAPACITOR	4.7uF 16V K	
C7834	NCB21CK-105X	C CAPACITOR	1uF 16V K	
C7835	NCB21CK-105X	C CAPACITOR	1uF 16V K	
C7836	NCB20JK-475X	C CAPACITOR	4.7uF 6.3V K	
C7837	NCB21CK-105X	C CAPACITOR	1uF 16V K	
C7838	NCB20JK-475X	C CAPACITOR	4.7uF 6.3V K	
C7839	NCB21CK-105X	C CAPACITOR	1uF 16V K	
C7840	NCB20JK-475X	C CAPACITOR	4.7uF 6.3V K	
C7841	NCB21CK-105X	C CAPACITOR	1uF 16V K	

R601	NRSA6AJ-332W	MG RESISTOR	3.3kΩ 1/16W J F,G,H,J,K	
R602	NRSA6AJ-682W	MG RESISTOR	6.8kΩ 1/16W J F,G,H,J,K	
R604	NRSA6AJ-332W	MG RESISTOR	3.3kΩ 1/16W J	
R605	NRSA6AJ-682W	MG RESISTOR	6.8kΩ 1/16W J	
R606	NRSA6AJ-223W	MG RESISTOR	22kΩ 1/16W J	
R7803	NRSA6AD-622W	MG RESISTOR	6.2kΩ 1/16W D	
R7804	NRSA6AD-153W	MG RESISTOR	15kΩ 1/16W D	
R7805	NRSA6AJ-101W	MG RESISTOR	100Ω 1/16W J	
R7806	NRSA6AJ-101W	MG RESISTOR	100Ω 1/16W J	
R7811	NRSA6AD-122W	MG RESISTOR	1.2kΩ 1/16W D	
R7812	NRSA6AD-823W	MG RESISTOR	82kΩ 1/16W D	
R7815	NRSA6AD-472W	MG RESISTOR	4.7kΩ 1/16W D	
R7816	NRSA6AD-203W	MG RESISTOR	20kΩ 1/16W D	
R7818	NRSA6AD-223W	MG RESISTOR	22kΩ 1/16W D	
R7819	NRSA6AD-822W	MG RESISTOR	8.2kΩ 1/16W D	
R7820	NRSA6AD-123W	MG RESISTOR	12kΩ 1/16W D	
R7821	NRSA6AD-222W	MG RESISTOR	2.2kΩ 1/16W D	
R7822	NRSA6AD-222W	MG RESISTOR	2.2kΩ 1/16W D	
R7823	NRSA6AJ-682W	MG RESISTOR	6.8kΩ 1/16W J	
R7824	NRSA6AJ-220W	MG RESISTOR	22Ω 1/16W J	
R7825	NRSA6AD-123W	MG RESISTOR	12kΩ 1/16W D	
R7826	NRSA6AD-222W	MG RESISTOR	2.2kΩ 1/16W D	
R7827	NRSA6AD-222W	MG RESISTOR	2.2kΩ 1/16W D	
R7828	NRSA6AJ-682W	MG RESISTOR	6.8kΩ 1/16W J	
R7829	NRSA6AJ-220W	MG RESISTOR	22Ω 1/16W J	
R7830	NRSA6AD-123W	MG RESISTOR	12kΩ 1/16W D	
R7831	NRSA6AD-222W	MG RESISTOR	2.2kΩ 1/16W D	
R7832	NRSA6AD-222W	MG RESISTOR	2.2kΩ 1/16W D	
R7833	NRSA6AJ-682W	MG RESISTOR	6.8kΩ 1/16W J	
R7834	NRSA6AJ-220W	MG RESISTOR	22Ω 1/16W J	
R7835	NRSA6AD-103W	MG RESISTOR	10kΩ 1/16W D	
R7836	NRSA6AD-103W	MG RESISTOR	10kΩ 1/16W D	
R7837	NRSA6AD-103W	MG RESISTOR	10kΩ 1/16W D	
R7838	NRSA6AD-103W	MG RESISTOR	10kΩ 1/16W D	



MODEL	MARK	MODEL	MARK	MODEL	MARK
GR-DF430AA	A	GR-DF430AS	E	GR-DF470AH	J
GR-DF430AC	B	GR-DF470AA	F	GR-DF470AS	K
GR-DF430AG	C	GR-DF470AC	G		
GR-DF430AH	D	GR-DF470AG	H		

△ Symbol No.	Part No.	Part Name	Description	Local
R7839	NRSA6AD-103W	MG RESISTOR	10kΩ 1/16W D	
R7840	NRSA6AD-103W	MG RESISTOR	10kΩ 1/16W D	
R7844	NRSA6AJ-0R0W	MG RESISTOR	0Ω 1/16W J	
R7845	NRSA63J-0R0X	MG RESISTOR	0Ω 1/16W J	
L601	NQR0251-004X	FERRITE BEADS		
L602	NQR0251-004X	FERRITE BEADS		
L7801	NQL38DK-220X	P COIL	22uH K	
L7802	NQL38DK-220X	P COIL	22uH K	
L7803	NQL38DK-220X	P COIL	22uH K	
L7804	NQL38DK-220X	P COIL	22uH K	
L7805	NQL38DK-220X	P COIL	22uH K	
△ BT601	QAB0069-001	LITHIUM BATTERY		
CN601	QGF0528F1-45X	CONNECTOR	MAIN PWB FFC/FPC (1-45)	
CN602	QGF0503F4-24X	CONNECTOR	MONI FPC FFC/FPC (1-24)	
CN603	QGF0549C1-16W	CONNECTOR	VF FPC FFC/FPC (1-16)	
J601	QND0078-001	S JACK	S JACK	
S601	NSW0099-001X	SLIDE SWITCH	VIDEO/DSC F,G,H,J,K	
S602	NSW0161-001X	DETECT SWITCH	MONITOR	
S603	NSW0198-001X	TACT SWITCH	F,G,H,J,K	
S604	NSW0198-001X	TACT SWITCH	F,G,H,J,K	
S605	NSW0198-001X	TACT SWITCH	F,G,H,J,K	
S606	NSW0198-001X	TACT SWITCH		
S607	NSW0198-001X	TACT SWITCH		
S608	NSW0198-001X	TACT SWITCH		
S609	NSW0198-001X	TACT SWITCH		
S610	NSW0198-001X	TACT SWITCH		
S611	NSW0198-001X	TACT SWITCH		
WR1	WJT0182-001A-E	E-CARD WIRE		

### MONI BL BOARD ASSEMBLY <07>

△ Symbol No.	Part No.	Part Name	Description	Local
PW1	LYA10034-01B	MONI BL BOARD ASSY		
IC7701	DN8797MS-X	IC		
Q7701	DTC144EE-X	DIGI TRANSISTOR		
Q7701	or BCR148T-X	DIGI TRANSISTOR		
Q7701	or UN9213J-X	DIGI TRANSISTOR		
Q7701	or PDT144EE-X	DIGI TRANSISTOR		
Q7702	DTA144EE-X	DIGI TRANSISTOR		
Q7702	or BCR198T-X	DIGI TRANSISTOR		
Q7702	or UN9113J-X	DIGI TRANSISTOR		
Q7702	or PDTA144EE-X	DIGI TRANSISTOR		
Q7703	2SD1664/QR/-W	TRANSISTOR		
Q7703	or STD1664/OY/-W	TRANSISTOR		
Q7704	2SD1664/QR/-W	TRANSISTOR		
Q7704	or STD1664/OY/-W	TRANSISTOR		
C7701	NCB10JK-106X	C CAPACITOR	10uF 6.3V K	
C7702	NCBA1CK-103W	C CAPACITOR	0.01uF 16V K	
C7703	NCZ1058-273X	C CAPACITOR	0.027uF	
C7704	NCZ1016-150X	C CAPACITOR	15pF 2kV J	
C7705	NCZ1016-180X	C CAPACITOR	18pF 2kV J	
C7751	NCB31HK-473X	C CAPACITOR	0.047uF 50V K	
C7752	NCBA1HK-471W	C CAPACITOR	470pF 50V K	
C7753	NBE90JM-106X	TA E CAPACITOR	10uF 6.3V M	
C7754	NCBA1CK-103W	C CAPACITOR	0.01uF 16V K	
C7755	NBE90JM-106X	TA E CAPACITOR	10uF 6.3V M	
C7756	NCB30JK-105X	C CAPACITOR	1uF 6.3V K	
C7757	NBE90JM-106X	TA E CAPACITOR	10uF 6.3V M	
C7758	NCBA1CK-103W	C CAPACITOR	0.01uF 16V K	
C7759	NCB31CK-105X	C CAPACITOR	1uF 16V K	
C7760	NCB31CK-105X	C CAPACITOR	1uF 16V K	
C7761	NCB31CK-105X	C CAPACITOR	1uF 16V K	
C7762	NCB31CK-105X	C CAPACITOR	1uF 16V K	
C7763	NCB31CK-105X	C CAPACITOR	1uF 16V K	
C7764	NBE90JM-106X	TA E CAPACITOR	10uF 6.3V M	
C7765	NBE20JM-476X	TA E CAPACITOR	47uF 6.3V M	
C7766	NCB31CK-105X	C CAPACITOR	1uF 16V K	
C7767	NCB31CK-105X	C CAPACITOR	1uF 16V K	
C7768	NBP21CM-106X	TA E CAPACITOR	10uF 16V M	
C7769	NCB31CK-105X	C CAPACITOR	1uF 16V K	

△ Symbol No.	Part No.	Part Name	Description	Local
R7701	NRSA6AJ-102W	MG RESISTOR	1kΩ 1/16W J	
R7702	NRSA6AJ-102W	MG RESISTOR	1kΩ 1/16W J	
R7703	NRSA6AJ-102W	MG RESISTOR	1kΩ 1/16W J	
R7752	NRSA6AJ-103W	MG RESISTOR	10kΩ 1/16W J	
R7753	NRSA6AJ-101W	MG RESISTOR	100Ω 1/16W J	
R7754	NRSA6AJ-124W	MG RESISTOR	120kΩ 1/16W J	
R7755	NRSA6AJ-683W	MG RESISTOR	68kΩ 1/16W J	
R7756	NRSA6AJ-104W	MG RESISTOR	100kΩ 1/16W J	
R7757	NRSA6AJ-100W	MG RESISTOR	10Ω 1/16W J	
R7758	NRSA6AJ-100W	MG RESISTOR	10Ω 1/16W J	
R7759	NRSA6AJ-100W	MG RESISTOR	10Ω 1/16W J	
L7701	NQLB8EM-220X	COIL	22uH M	
L7702	NQLB8EM-680X	COIL	68uH M	
L7751	NQL382M-100X	COIL	10uH M	
L7752	NQL382M-100X	COIL	10uH M	
T7701	NQS0062-001X	SW TARN SF		

CN701	QGF0530F3-12W	CONNECTOR	MAIN FFC/FPC (1-12)	
CN702	QGF0530F3-12W	CONNECTOR	MAIN FFC/FPC (1-12)	
CN703	QGF0528F1-40X	CONNECTOR	LCD FFC/FPC (1-40)	
△ F7701	NMFZ007-R40X-K	FUSE	0.4A 50V	
SD1	LY44966-001A	SHIELD(TRANS)		
WR1	QAL0687-001	FPC	FPC	

### VF BOARD ASSEMBLY <08>

△ Symbol No.	Part No.	Part Name	Description	Local
PW1	LYA10035-01B	VF BOARD ASSY		
Q7101	2SC4617/QR/-X	TRANSISTOR		
Q7101	or 2SC4738/YG/-X	TRANSISTOR		
Q7101	or 2SD2216J/QR/-X	TRANSISTOR		
Q7101	or BC847BT-X	TRANSISTOR		
D7101	E1S35AW0C501-X	LED		
C7101	NCB31CK-104X	C CAPACITOR	0.1uF 16V K	
C7102	NCB31CK-104X	C CAPACITOR	0.1uF 16V K	
C7103	NDC31HJ-101X	C CAPACITOR	100pF 50V J	
C7104	NDC31HJ-101X	C CAPACITOR	100pF 50V J	
R7101	NRSA63D-682X	MG RESISTOR	6.8kΩ 1/16W D	
R7102	NRSA63D-272X	MG RESISTOR	2.7kΩ 1/16W D	
R7103	NRSA63D-820X	MG RESISTOR	82Ω 1/16W D	
R7104	NRSA63D-273X	MG RESISTOR	27kΩ 1/16W D	
R7105	NRSA63D-563X	MG RESISTOR	56kΩ 1/16W D	
R7106	NRSA63D-163X	MG RESISTOR	16kΩ 1/16W D	
R7107	NRSA63D-472X	MG RESISTOR	4.7kΩ 1/16W D	
R7108	NRSA63J-103X	MG RESISTOR	10kΩ 1/16W J	
R7109	NRSA63J-103X	MG RESISTOR	10kΩ 1/16W J	
CN7101	QGF0530F3-14W	CONNECTOR	MAIN FFC/FPC (1-14)	
CN7102	QGF0530F3-15W	CONNECTOR	LCD FFC/FPC (1-15)	