

# PARTS LIST

## SAFETY PRECAUTION

Parts identified by the  $\triangle$  symbol are critical for safety. Replace only with specified part numbers.

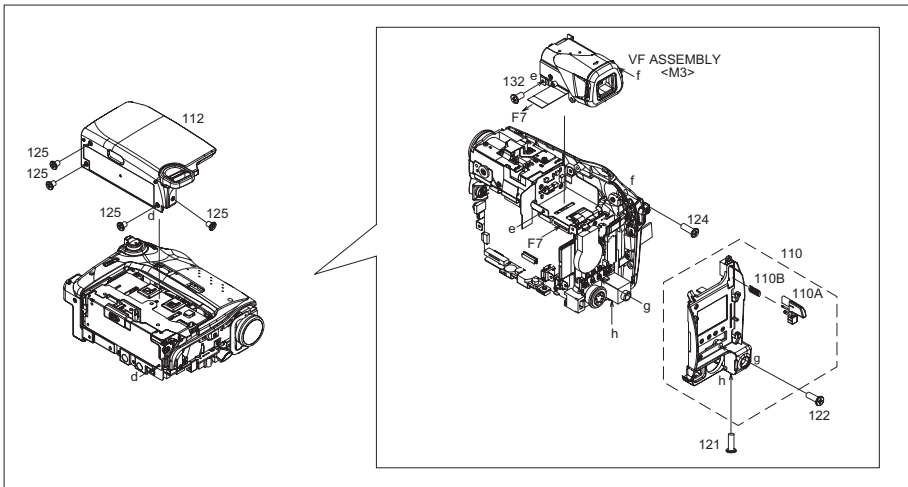
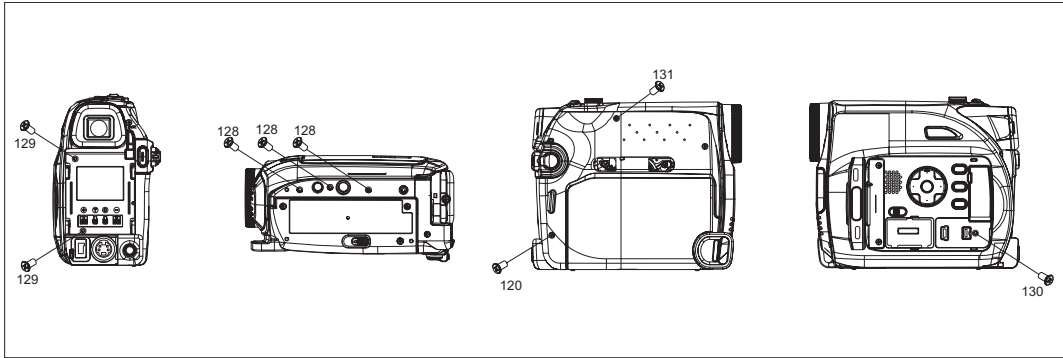
## BEWARE OF BOGUS PARTS

Parts that do not meet specifications may cause trouble in regard to safety and performance. We recommend that genuine JVC parts be used.

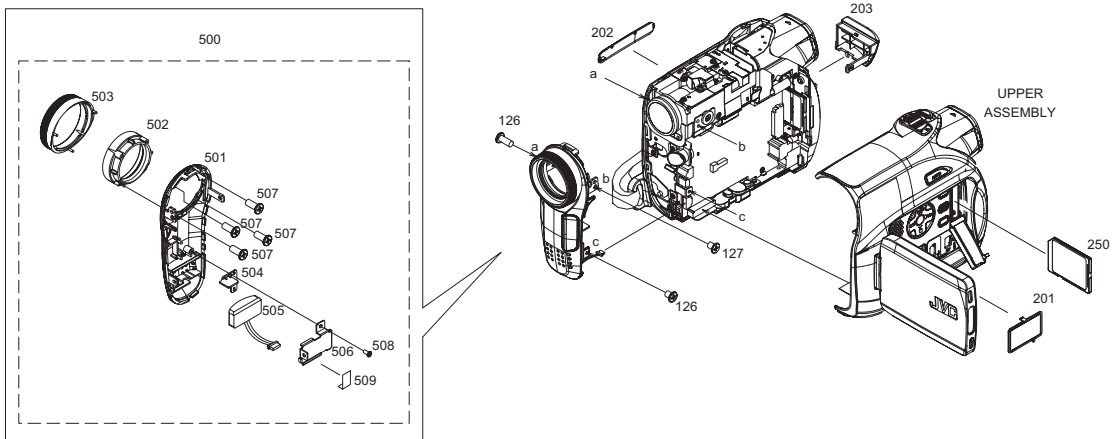
### 1. EXPLODED VIEW

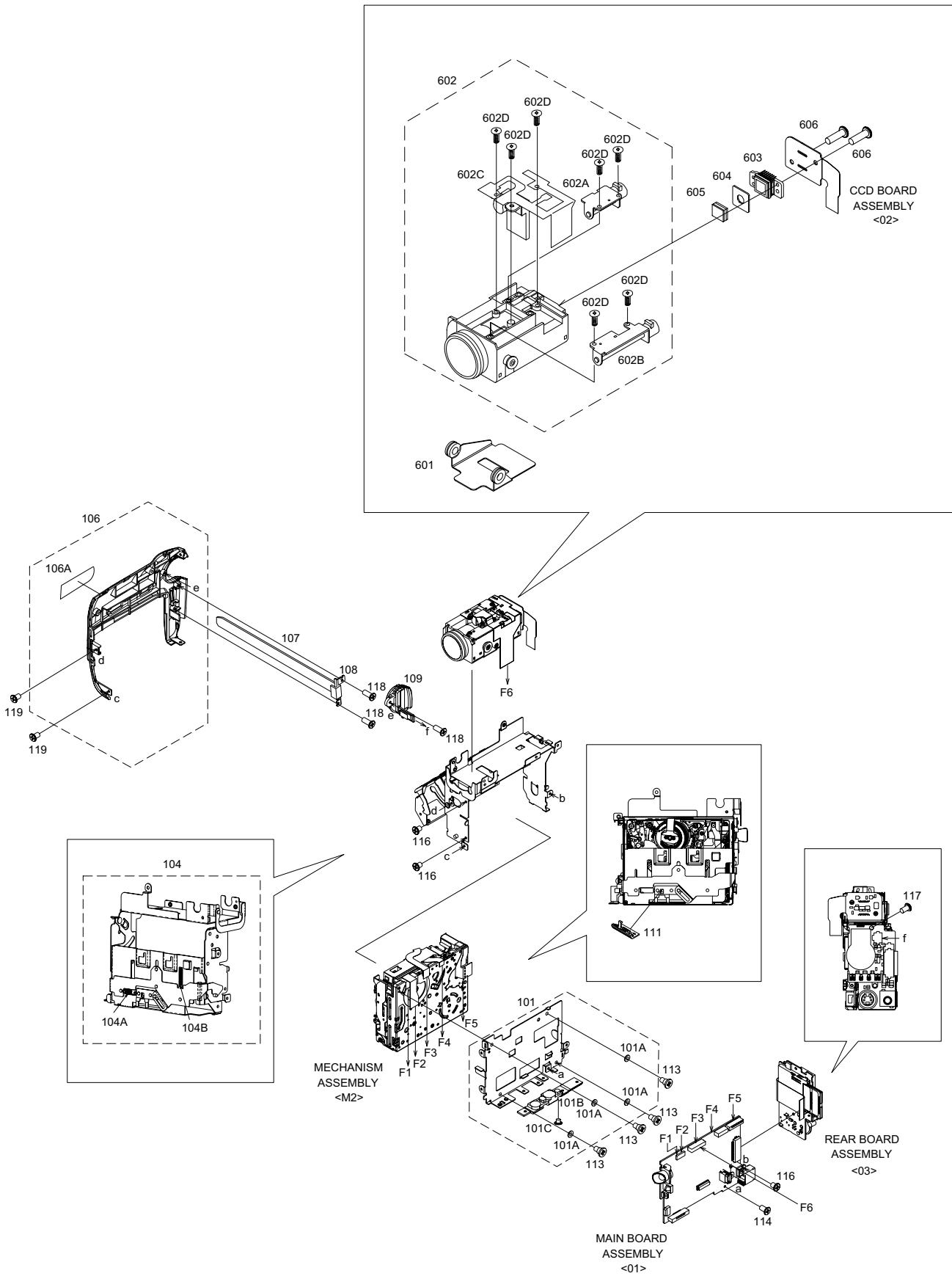
#### 1.1 FINAL ASSEMBLY<M1>

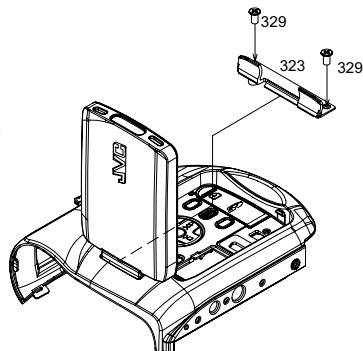
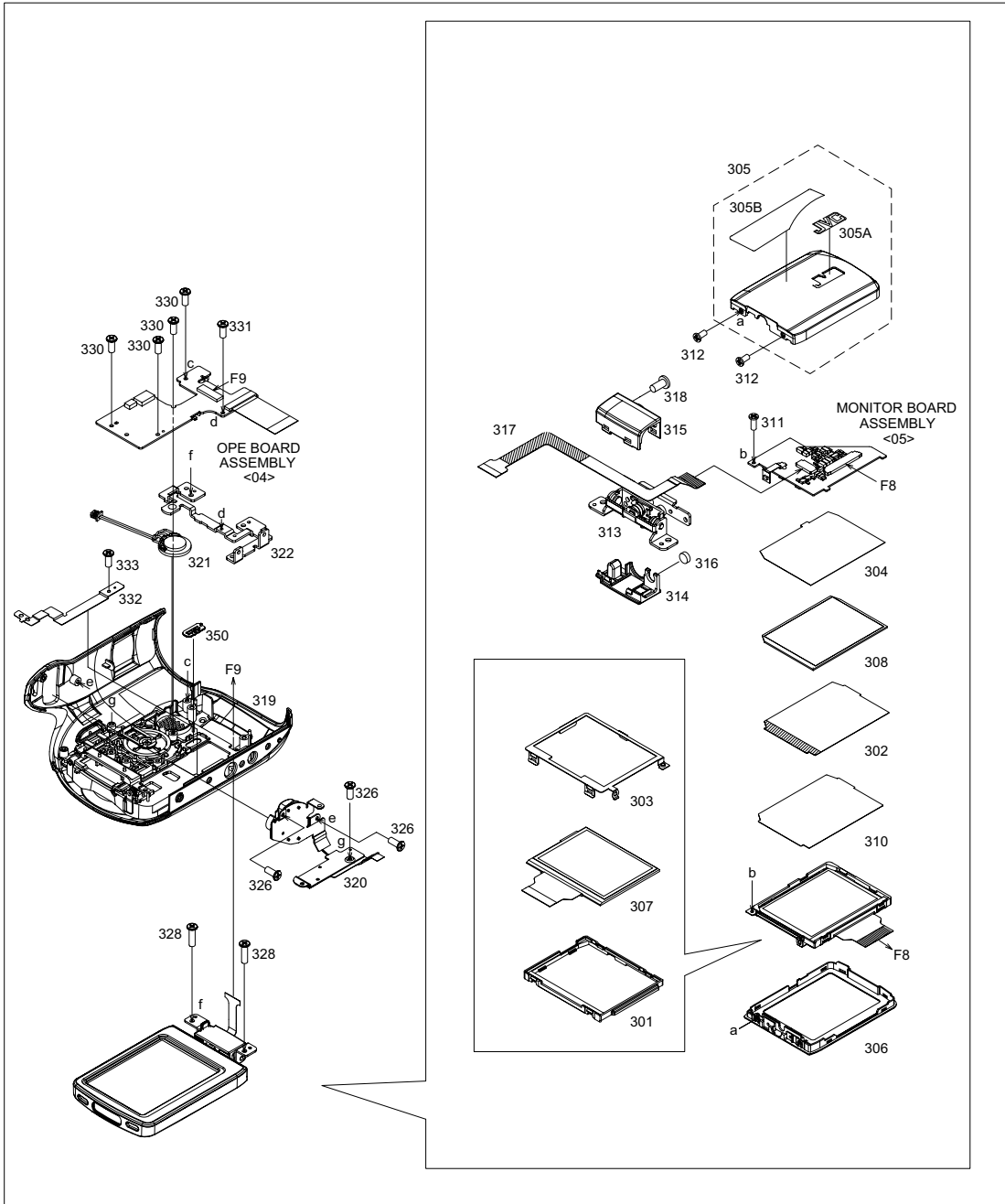
The instruction manual to be provided with this product will differ according to the destination.



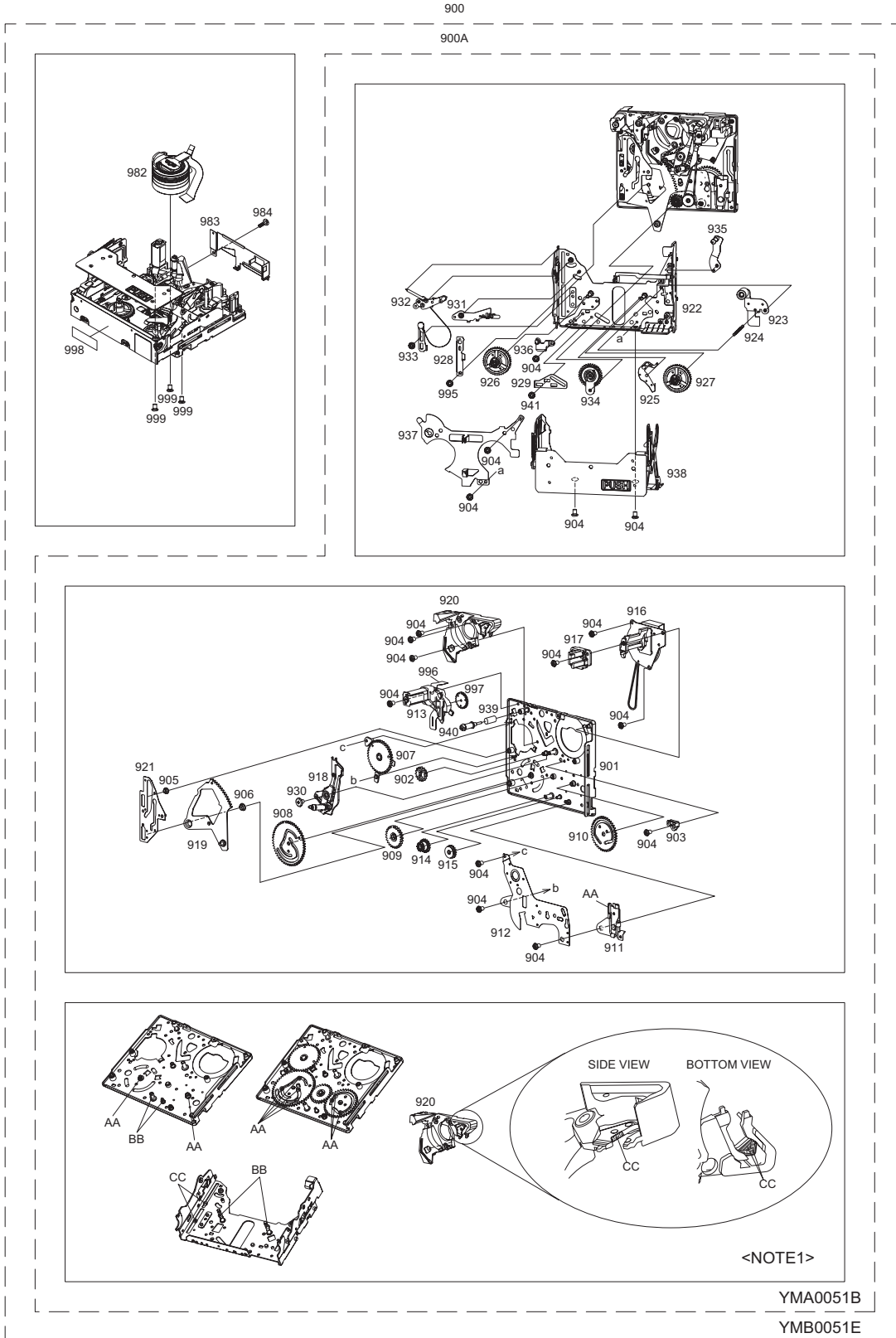
MODEL	MARK
GR-D360EX	A
GR-D360EY	B
GR-D360EZ	C
GR-D366EK	D
GR-D368EF	E
GR-D370EK	F
GR-D370EX	G
GR-D370EY	H
GR-D370EZ	J
GR-D390EK	K







## 1.2 MECHANISM ASSEMBLY<M2>

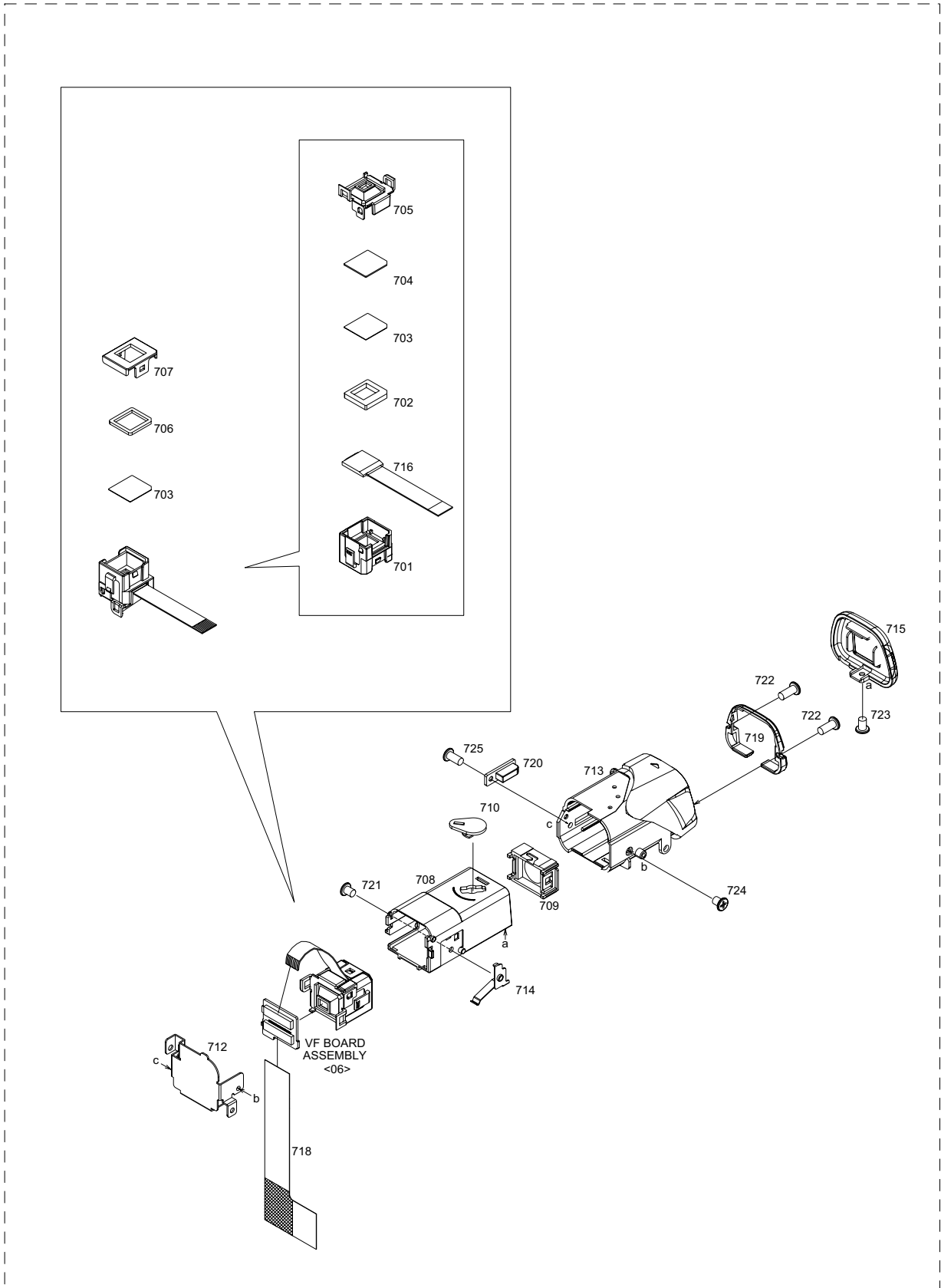


Classification	Part No.	Symbol in drawing
Grease	KYODO-SH-JB	AA
Oil	YTU94027	BB
Grease (HANARL)	RX-410R	CC

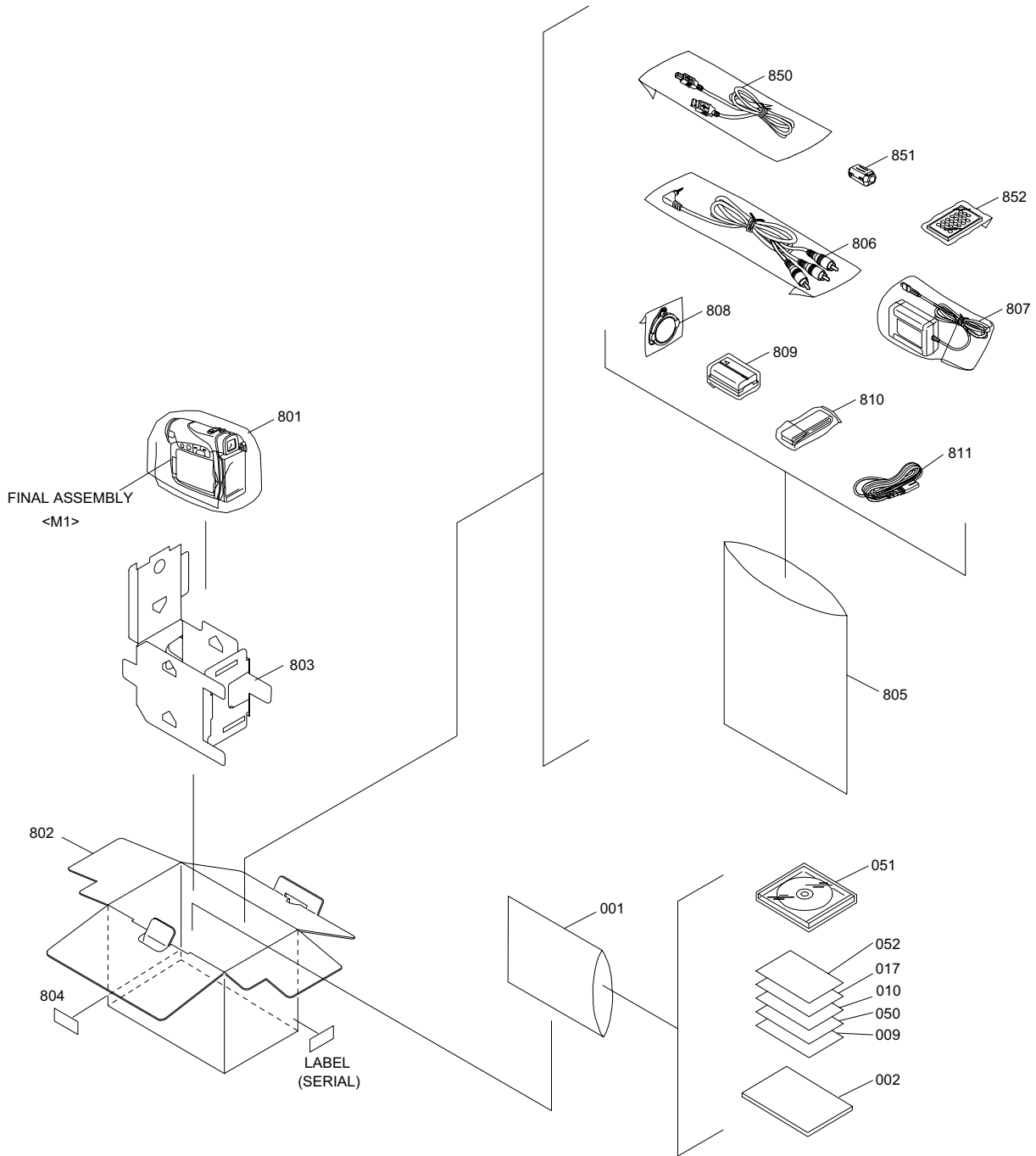
NOTE1: The section marked in AA, BB and CC indicate lubrication and greasing areas.

### 1.3 VF ASSEMBLY <M3>

700



# 1.4 PACKING AND ACCESSORY ASSEMBLY <M5>



MODEL	MARK	MODEL	MARK	MODEL	MARK	MODEL	MARK
GR-D360EX	A	GR-D366EK	D	GR-D370EX	G	GR-D390EK	K
GR-D360EY	B	GR-D368EF	E	GR-D370EY	H		
GR-D360EZ	C	GR-D370EK	F	GR-D370EZ	J		

## 2. PARTS LIST

### FINAL ASSEMBLY <M1>

△ Symbol No.	Part No.	Part Name	Description	Local
101	LY35130-001D	FRAME ASSY		
101A	LY45033-001B	BUSH	(x4)	
101B	LY35129-001B	TRIPOD (BASE)		
101C	LY30031-0D4A	SPECIAL SCREW	FRM-TRIP	
104	LY21444-001J	MAIN BKT ASSY		
104A	LY45170-001C	TENSION SPRING		
104B	LY30002-074A	COMPRESSION SPRING		
106	LY35271-003C	LOWER CASE ASSY		
106A	LY45172-003A	STICKER(L)		
107	LY21320-003A	GRIP BELT		
108	LY45121-001A	BKT (G.BELT)		
109	LY21431-001B	POWER UNIT		
△ 110	LY35115-002D	REAR COVER ASSY		
110A	LY35137-001A	KNOB (BATT.)		
110B	LY30002-068A	COMPRESSION SPRING		
111	LY35131-001A	KNOB (EJECT)		
112	LY21446-001E	CASS.COVER		
113	LY30032-002A	SPECIAL SCREW	FRM-MECHA(x4)	
114	LY30031-0K7A	SPECIAL SCREW	M.PWB-FRM	
116	LY30031-0H5A	SPECIAL SCREW	FRM-M.BKT(x3)	
117	LY30031-0K7A	SPECIAL SCREW	R.PWB-BKT	
118	LY30031-0L8B	SPECIAL SCREW	POWER UNIT(x3)	
119	LY30031-0H5A	SPECIAL SCREW	LOWER-MBKT(x2)	
120	LY30031-0A3A	SPECIAL SCREW	LOWER-REAR	
121	LY30031-0D4A	SPECIAL SCREW	REAR-M.BKT	
122	LY30031-0D5A	SPECIAL SCREW	REAR-M.BKT	
124	LY30031-0A3A	SPECIAL SCREW	LOWER-VF	
125	LY30031-0H5A	SPECIAL SCREW	CASS.COVER(x4)	
126	LY30031-0D5A	SPECIAL SCREW	FRONT-MBKT(x2)	
127	LY30031-0H5A	SPECIAL SCREW	FRONT-MBKT	
128	LY30031-0D5A	SPECIAL SCREW	UPPER-TRI(x3)	
129	LY30031-0A3A	SPECIAL SCREW	REAR-UPPER(x2)	
130	LY30031-0K7A	SPECIAL SCREW	DV JACK	
131	LY30031-0D5A	SPECIAL SCREW	LOWER-ZOOM	
132	LY30031-0H5A	SPECIAL SCREW	VF-M.BKT	
201	LY35149-001C	COVER (JIG)		
202	LY35150-001A	COVER (ADJ)		
203	LY35138-001B	COVER (JACK)		
250	QAM0727-001	MEMORY CARD	SD 32MB	DK
△ 300	LY35154-013D	UPPER ASSY		
△ 300	or UU06D113D	UPPER UNIT ASSY		
301	LY21452-001B	LCD CASE		
302	LY45123-001A	SHEET(M.DIFF)		
303	LY35160-001A	S.CASE (MONI)		
304	LY45125-001A	SHEET(M.REF)		
305	LY35155-013B	MONITOR COVER ASSY		
305A	LY45126-001B	JVC MARK		
305B	LY45156-010B	STICKER		
306	LY21450-001D	MONITOR CASE		
307	QLD0357-001	LCD MODULE		
308	LY45124-001A	LIGHT GUIDE		
310	LY45152-001A	SHEET(BEF)		
311	LY30031-0K7A	SPECIAL SCREW	MONI.PWB	
312	LY30031-0K7A	SPECIAL SCREW	MONI.CASE(x2)	
313	LY35157-001C	HINGE ASSY		
314	LY35159-001B	HINGE COVER(L)		
315	LY35158-001B	HINGE COVER(U)		
316	LY42355-001A	P.C.MAGNET		
317	QAL0784-001	FPC	MONI-FPC	
318	LY30031-0A3A	SPECIAL SCREW	HINGE	
△ 319	LY21439-009B	UPPER CASE ASSY		
320	LY21432-001C	ZOOM UNIT		
321	QAS0284-002	SPEAKER		
322	LY35146-001A	BRACKET(HINGE)		
323	LY35147-001B	COVER (HINGE)		
326	LY30031-003A	SPECIAL SCREW	ZOOM UNIT(x3)	
328	LY30031-054A	SPECIAL SCREW	MONI HINGE(x2)	
329	LY30031-0H5A	SPECIAL SCREW	CVR HINGE(x2)	
330	LY30031-003A	SPECIAL SCREW	OPEPWB-UPP(x4)	
331	LY30031-0H5A	SPECIAL SCREW	OPEPWB-BKT	
332	LY35387-001A	EARTH PLATE		
333	LY30031-003A	SPECIAL SCREW	E.P-UPPER	
350	LY35148-001B	KNOB (SLIDE)		
500	LY35210-003A	FRONT ASSY		

△ Symbol No.	Part No.	Part Name	Description	Local
500	or FU06D103A	FRONT UNIT ASSY		
501	LY21447-003A	FRONT COVER		
502	LY35133-001B	HOOD (SCREW)		
503	LY35132-001B	COVER (HOOD)		
504	LY35134-001C	SENSOR HOLDER		
505	LY34598-001A	MIC		
506	LY35135-001B	PLATE (MIC)		
507	LY30031-003A	SPECIAL SCREW	HOOD SCREW(x4)	
508	LY30031-003A	SPECIAL SCREW	PLATE MIC	
509	LY30030-0D3A	SPACER(A)		
601	LY35128-001B-ML	CUSHION (OP)		JPN
602	LY35161-003A	OP BLOCK ASSY		
602A	PTY35161-002	FOCUS MOTOR UNIT		
602B	PTY35161-001	ZOOM MOTOR UNIT		
602C	PTY35161-306	IRIS MOTOR UNIT		
602D	PTY35161-535	SCREW	M1.7 x 3.5(x7)	
603	LYH30655-052A	CCD BASE ASSY		
604	LY45175-001A	SHEET		
605	LY45144-001A	OPTICAL LPF		
606	LY30031-0M3A	SPECIAL SCREW	(x2)	

### MECHANISM ASSEMBLY <M2>

△ Symbol No.	Part No.	Part Name	Description	Local
900	YMB0051E	MECHA(B)ASSY		
900A	YMA0051B	MECHA(A)ASSY		
901	LY10525-001F	MAIN DECK ASSY		
902	LY34335-001B	LOADING GEAR 1		
903	LY34338-001A	BELT GUIDE		
904	LY34229-001A	MINI SCREW	(x16)	
905	LY44973-001B	SLIDE COLLAR 1		
906	LY44974-001B	SLIDE COLLAR 2		
907	QSW1116-002	ROTARY ENCODER		
908	LY21263-001B	MAIN CAM		
909	LY34319-001A	CONNECT GEAR		
910	LY34320-001A	SUB CAM		
911	LY34321-001B	PRESS ARM ASSY		
912	LY21264-001C	GEAR COVER		
913	LY34315-001E	M.BRACKET ASSY		
914	LY34337-001A	CENTER GEAR		
915	LY34336-001A	REEL PULLEY		
916	QAR0338-002	CAPSTAN MOTOR		
917	LY21270-001A	T5 CATCHER		
918	LY21266-001G	GUIDE RAIL ASSY		
919	LY34325-001B	DRIVE ARM ASSY		
920	LY10530-001E	DRUM BASE		
921	LY34326-001E	T.C.PLATE ASSY		
922	LY21271-005A	SLIDE DECK ASSY		
923	LY34345-001A	P.R.ARM ASSY		
924	LY44764-001B	TEN.SPRING(P.R)		
925	LY34348-001A	BRAKE PLATE		
926	LY34349-001D	REEL DISK ASSY		
927	LY34349-002B	REEL DISK ASSY		
928	LY34342-001A	GUIDE PLATE		
929	LY34340-001A	SLIDE GUIDE PLT		
930	LY34229-005A	MINI SCREW		
931	LY34358-001G	S1 ARM ASSY		
932	LY21273-001K	T.ARM ASSY		
933	LY43675-007A	MINI SCREW		
934	LY34355-001B	IDLER ARM ASSY		
935	LY34343-001B	T5 ARM ASSY		
936	LY34341-001B	CASSETTE GUIDE		
937	LY34365-001E	REEL COVER ASSY		
938	LY10531-001K	HOUSING ASSY		
939	LY44734-001B	COMP.SPRING		
940	LY34314-001A	G.ROLLER(S)ASSY		
941	LY45076-001A	TRUSTER SCREW		
982	YDV2104K-CX	DRUM ASSY	Y08539-02	
983	LY10599-001A	PROTECTOR		
984	LY34229-006A	MINI SCREW		
995	LY34229-010A	MINI SCREW		
996	LY34676-002A	MOTOR FPC ASSY		
997	LY34318-001A	WORM WHEEL		

MODEL	MARK	MODEL	MARK	MODEL	MARK	MODEL	MARK
GR-D360EX	A	GR-D366EK	D	GR-D370EX	G	GR-D390EK	K
GR-D360EY	B	GR-D368EF	E	GR-D370EY	H		
GR-D360EZ	C	GR-D370EK	F	GR-D370EZ	J		

Symbol No.	Part No.	Part Name	Description	Local	Symbol No.	Part No.	Part Name	Description	Local
998	LY44890-001A	LABEL(HOUSING)			803	LY35152-001B-ML	CUSHION	JPN	
999	LY34229-006A	MINI SCREW	(x3)		804	LY45161-002A-ML	LABEL	JPN	
					805	QPA02503505P	POLY BAG	ACC. 25cm x 35cm	

### VF ASSEMBLY <M3>

Symbol No.	Part No.	Part Name	Description	Local
700	LY35117-001A	VF ASSY		
700	or VU06D101A	VF UNIT ASSY		
701	LY21442-001C	HOLDER (LCD)		
702	LY45116-001A	CUSHION (1)		
703	LY45118-001A	SHEET (POLA)	(x2)	
704	LY45119-001A	SHEET (DIFF.)		
705	LY35123-001B	CASE (B.LIGHT)		
706	LY45117-001A	CUSHION (2)		
707	LY35124-001A	STOPPER (POLA)		
708	LY21441-001F	CASE (VF)		
709	LY45114-001A	LENS ASSY		
710	LY35121-001C	LEVER (VF)		
712	LY35118-001D	BRACKET(COVER)		
713	LY21440-001E	COVER (SLIDE)		
714	LY35126-001C	CLICK PLATE		
715	LY35119-001C	EYE CUP		
716	QLD0363-001	LCD MODULE		
718	QAL0783-001	FPC	VF FPC	
719	LY35169-001D	COVER (EYE CUP)		
720	LY35168-001C	KNOB (SWITCH)		
721	LY30031-0H5A	SPECIAL SCREW		
722	LY30031-003A	SPECIAL SCREW	CVREYECUP(x2)	
723	LY30031-057A	SPECIAL SCREW	EYECUP	
724	LY30031-0H5A	SPECIAL SCREW	BKT.COVER	
725	LY30031-0K7A	SPECIAL SCREW	KNOB SW	

### MAIN BOARD ASSEMBLY <01>

Symbol No.	Part No.	Part Name	Description	Local
PW1	LYA10075-01C	MAIN BOARD ASSY		F,G,H,J,K
PW1	LYA10075-02C	MAIN BOARD ASSY		A,B,C,D,E
IC1001	MN103SF66RBB	IC(MICRO C ROM)	FLASH(AP)	
IC1001	or MN103S97NBB	IC(MICRO C ROM)	MP	
IC1002	MB90099PFV138EX	IC(MICRO C ROM)	OSD AS/EZ	
IC1004	NJU7108F3-X	IC		
IC1004	or TC75S56FU-X	IC		
IC1005	BR25L640F-W-X	IC	EEP 64K	
IC1006	RS5C314-X	IC		
IC1007	S-80823CNNB-G-W	IC		
IC1008	KSM-2003SN2E	IR DETECT UNIT	IRU	
IC1601	BD6637KV	IC	MDA 64PIN	
IC1701	BA10358FVM-W	IC	REELAMP5V	
IC1702	NJM2407R-W	IC	REELSMT	
IC2201	AK4664VQ	IC	48P0.5	
IC3001	JCY0220	IC		
IC3006	MM3142FN-X	IC		
IC3501	JCY0132	IC		
IC3701	BH7612FV-X	IC		
IC4201	LY35174-001A	IC	SERVICE	
IC4901	JCY0223-X	IC		
IC6001	FA7737F	IC		
IC8001	TMS320DSC24GHKL	IC	DSC24	
IC8002	K4S643232H-UC60	IC	64MSDRAM	
IC8003	MR27T3202L058LA	IC(MICRO C ROM)	MP P2ROM	
IC8003	or SG32A90BFIR4C33	IC(MICRO C ROM)	AP FLASH	
IC8801	TSB41AB1ZQE-X	IC		
Q1001	DTA114EE-X	DIGI TRANSISTOR		
Q1001	or BCR183T-X	DIGI TRANSISTOR		
Q1001	or KRA302E-X	DIGI TRANSISTOR		
Q1001	or RT1P141U-X	DIGI TRANSISTOR		
Q1001	or PDA114EE-X	DIGI TRANSISTOR		
Q1002	DTA143XE-X	DIGI TRANSISTOR		
Q1003	DTA143XE-X	DIGI TRANSISTOR		
Q1004	DTC143XE-X	DIGI TRANSISTOR		
Q1004	or UN921FJ-X	DIGI TRANSISTOR		
Q1004	or KRC419E-X	DIGI TRANSISTOR		
Q1004	or RT1N432U-X	DIGI TRANSISTOR		
Q1005	DTC143XE-X	DIGI TRANSISTOR		
Q1005	or UN921FJ-X	DIGI TRANSISTOR		
Q1005	or KRC419E-X	DIGI TRANSISTOR		
Q1005	or RT1N432U-X	DIGI TRANSISTOR		
Q1006	2SC4617/QR/-X	TRANSISTOR		
Q1006	or BC847BT-X	TRANSISTOR		
Q1006	or 2SD2216/J/QR/-X	TRANSISTOR		
Q1006	or 2SC5383/E/-X	TRANSISTOR		
Q1006	or 2SC4738/YG/-X	TRANSISTOR		
Q1007	DTC124EE-X	DIGI TRANSISTOR		
Q1007	or BCR141T-X	DIGI TRANSISTOR		
Q1007	or KRC403E-X	DIGI TRANSISTOR		
Q1007	or RT1N241U-X	DIGI TRANSISTOR		
Q1007	or PDTCT124EE-X	DIGI TRANSISTOR		
Q1008	UMZ1N-W	PAIR TRANSISTOR		
Q1008	or PUMZ1-W	PAIR TRANSISTOR		
Q1008	or XP4601-W	TRANSISTOR		
Q1601	UMC3N-W	DIGI TRANSISTOR	LD ON	

### PACKING AND ACCESSORY ASSEMBLY <M5>

Symbol No.	Part No.	Part Name	Description	Local
001	LY34452-001A	POLY BAG	DOCUMENT	
△ 002	LYT1539-001A	INST BOOK(EN)	(ENGLISH)	F
△ 002	LYT1539-002A	INST BOOK(GE.FR)	(GERMAN FRENCH)	G
△ 002	LYT1539-003A	INST BOOK(DU.SP)	(DUTCH SPANISH)	G
△ 002	LYT1539-004A	INST BOOK(IT.PT)	(ITALIAN PORTUGUESE)	G
△ 002	LYT1539-005B	INST BOOK(GE)	(GERMAN)	H
△ 002	LYT1539-006B	INST BOOK(DA.FI)	(DANISH FINN)	H
△ 002	LYT1539-007B	INST BOOK(SW.NO)	(SWEDISH NORWEGIAN)	H
△ 002	LYT1539-008B	INST BOOK(RU.CZ)	(RUSSIAN CZECH)	J
△ 002	LYT1539-009B	INST BOOK(PO.HU)	(PORTUGUESE HUNGARIAN)	J
△ 002	LYT1540-002A	INST BOOK(GE.FR)	(GERMAN FRENCH)	A
△ 002	LYT1540-003A	INST BOOK(DU.SP)	(DUTCH SPANISH)	A
△ 002	LYT1540-004A	INST BOOK(IT.PT)	(ITALIAN PORTUGUESE)	A
△ 002	LYT1540-005B	INST BOOK(GE)	(GERMAN)	B
△ 002	LYT1540-006B	INST BOOK(DA.FI)	(DANISH FINN)	B
△ 002	LYT1540-007B	INST BOOK(SW.NO)	(SWEDISH NORWEGIAN)	B
△ 002	LYT1540-008A	INST BOOK(RU.CZ)	(RUSSIAN CZECH)	C
△ 002	LYT1540-009A	INST BOOK(PO.HU)	(PORTUGUESE HUNGARIAN)	C
△ 002	LYT1544-001B	INST BOOK(EN)	(ENGLISH)	D
△ 002	LYT1546-001B	INST BOOK(EN)	(ENGLISH)	K
△ 002	LYT1570-002A	INST BOOK(GE.FR)	(GERMAN FRENCH)	E
△ 002	LYT1570-003A	INST BOOK(DU)	(DUTCH)	E
009	LYT0194-001B	Q.CARD		D,F,K
010	-----	WARRANTY CARD	BT-54030-1CAM	
017	LY35208-001A	SHEET(E-SHOP)		D,F,K
050	LYT1520-003A	INST BOOK(SOFT.EXLANG)	(SOFT.EXLANG)	A,G
050	LYT1520-004A	INST BOOK(SOFT.EYLANG)	(SOFT.EYLANG)	B,H
050	LYT1520-005A	INST BOOK(SOFT.EZLANG)	(SOFT.EZLANG)	C,J
050	LYT1520-006A	INST BOOK(SOFT.EN)	(SOFT.ENGLISH)	D,F,K
050	LYT1547-001A	INST BOOK(SOFT.GEFRDU)	(SOFT.GERMAN FRENCH DUTCH)	E
051	LY35273-005A	CD ROM ASSY		A,B,C,D,F,G,H,J,K
051	LY35273-007A	CD ROM ASSY		E
052	YU30878	REGI. CARD		D
801	LY30023-003A	POLY BAG		
802	LY35151-012A	PACKING CASE	PRODUCTION	A,B,C,D,F,G,H,J,K
802	LY35151-024A	PACKING CASE	PRODUCTION	E



MODEL	MARK	MODEL	MARK	MODEL	MARK	MODEL	MARK
GR-D360EX	A	GR-D366EK	D	GR-D370EX	G	GR-D390EK	K
GR-D360EY	B	GR-D368EF	E	GR-D370EY	H		
GR-D360EZ	C	GR-D370EK	F	GR-D370EZ	J		

△ Symbol No.	Part No.	Part Name	Description	Local	△ Symbol No.	Part No.	Part Name	Description	Local
Q2403	2SC4617/QR/-X	TRANSISTOR			D6503	or MA111-X	SI DIODE		
Q2403	or BC847BT-X	TRANSISTOR			D6503	or 1SS352-X	SI DIODE		
Q2403	or 2SD2216J/QR/-X	TRANSISTOR			D6504	1SS355-X	SI DIODE		
Q2403	or 2SC5383/E/-X	TRANSISTOR			D6504	or MA111-X	SI DIODE		
Q2403	or 2SC4738/YG/-X	TRANSISTOR			D6504	or 1SS352-X	SI DIODE		
Q3702	UMZ1N-W	PAIR TRANSISTOR			D6505	1SS355-X	SI DIODE		
Q3702	or PUMZ1-W	PAIR TRANSISTOR			D6505	or MA111-X	SI DIODE		
Q3702	or XP4601-W	TRANSISTOR			D6505	or 1SS352-X	SI DIODE		
Q4901	RPM-22PB	PHOTO TRANSISTOR	WB SENSER		D6506	1SS355-X	SI DIODE		
Q6101	US5U29-W	MOS FET			D6506	or MA111-X	SI DIODE		
Q6103	RSR025P03-X	MOS FET			D6506	or 1SS352-X	SI DIODE		
Q6201	US5U29-W	MOS FET			D6507	UDZS8.2B-X	Z DIODE		
Q6301	US5U29-W	MOS FET			D6701	RB160M-30-X	SB DIODE		
Q6401	US5U29-W	MOS FET			D6702	RB160M-30-X	SB DIODE		
Q6501	RSR025P03-X	MOS FET			D6801	RB551V-30-X	SB DIODE		
Q6505	2SA1774/QR/-X	TRANSISTOR		-VE	D6801	or KDR412-X	SB DIODE		
Q6505	or BC857BT-X	TRANSISTOR		-VE	D8801	RB551V-30-X	SB DIODE		
Q6505	or 2SA1989/QR/-X	TRANSISTOR		-VE	D8801	or KDR412-X	SB DIODE		
Q6701	RSR025P03-X	MOS FET			C1001	NDCA1HJ-7R0W	C CAPACITOR	7pF 50V J	
Q6702	RSR025P03-X	MOS FET			C1002	NDCA1HJ-7R0W	C CAPACITOR	7pF 50V J	
Q6703	RSR025P03-X	MOS FET			C1003	NDCA1HJ-7R0W	C CAPACITOR	7pF 50V J	
Q7701	PUMX1-W	PAIR TRANSISTOR			C1004	NBE20JM-226X	TA E CAPACITOR	22uF 6.3V M	
Q7701	or BC847S-X	PAIR TRANSISTOR			C1005	NCBA1AK-104W	C CAPACITOR	0.1uF 10V K	
Q7701	or KTC801U/G/-X	PAIR TRANSISTOR			C1006	NCBA1AK-104W	C CAPACITOR	0.1uF 10V K	
Q7701	or RT3CLLM/EF/-X	PAIR TRANSISTOR			C1007	NCB30JK-105X	C CAPACITOR	1uF 6.3V K	
Q7701	or UMX1N-W	PAIR TRANSISTOR			C1008	NBE20JM-226X	TA E CAPACITOR	22uF 6.3V M	
Q7702	PUMX1-W	PAIR TRANSISTOR			C1009	NCBA1CK-103W	C CAPACITOR	0.01uF 16V K	
Q7702	or BC847S-X	PAIR TRANSISTOR			C1010	NBE20JM-106X	TA E CAPACITOR	10uF 6.3V M	
Q7702	or KTC801U/G/-X	PAIR TRANSISTOR			C1013	NCBA1CK-103W	C CAPACITOR	0.01uF 16V K	
Q7702	or RT3CLLM/EF/-X	PAIR TRANSISTOR			C1018	NCB30JK-105X	C CAPACITOR	1uF 6.3V K	
Q7702	or UMX1N-W	PAIR TRANSISTOR			C1023	NCBA1EK-682W	C CAPACITOR	6800pF 25V K	
Q7703	PUMX1-W	PAIR TRANSISTOR			C1024	NCBA1EK-682W	C CAPACITOR	6800pF 25V K	
Q7703	or BC847S-X	PAIR TRANSISTOR			C1025	NCBA1CK-103W	C CAPACITOR	0.01uF 16V K	
Q7703	or KTC801U/G/-X	PAIR TRANSISTOR			C1029	NCBA1AK-104W	C CAPACITOR	0.1uF 10V K	
Q7703	or RT3CLLM/EF/-X	PAIR TRANSISTOR			C1031	NCBA1AK-104W	C CAPACITOR	0.1uF 10V K	
Q7703	or UMX1N-W	PAIR TRANSISTOR			C1032	NCBA1AK-104W	C CAPACITOR	0.1uF 10V K	
Q7704	UMD3N-W	DIGI TRANSISTOR			C1033	NCBA1AK-104W	C CAPACITOR	0.1uF 10V K	
Q7704	or XP4311-W	TRANSISTOR			C1035	NCBA1AK-104W	C CAPACITOR	0.1uF 10V K	
Q7704	or RT3T11M-X	DIGI TRANSISTOR			C1036	NCBA1AK-104W	C CAPACITOR	0.1uF 10V K	
Q7704	or KRX201U-X	DIGI TRANSISTOR			C1038	NCBA1AK-104W	C CAPACITOR	0.1uF 10V K	
Q7801	PUMX1-W	PAIR TRANSISTOR			C1039	NCBA1AK-104W	C CAPACITOR	0.1uF 10V K	
Q7801	or BC847S-X	PAIR TRANSISTOR			C1040	NCBA1AK-104W	C CAPACITOR	0.1uF 10V K	
Q7801	or KTC801U/G/-X	PAIR TRANSISTOR			C1043	NCBA1CK-103W	C CAPACITOR	0.01uF 16V K	
Q7801	or RT3CLLM/EF/-X	PAIR TRANSISTOR			C1044	NCBA1CK-103W	C CAPACITOR	0.01uF 16V K	
Q7801	or UMX1N-W	PAIR TRANSISTOR			C1046	NCBA1CK-103W	C CAPACITOR	0.01uF 16V K	
Q7802	PUMX1-W	PAIR TRANSISTOR			C1049	NCBA1AK-104W	C CAPACITOR	0.1uF 10V K	
Q7802	or BC847S-X	PAIR TRANSISTOR			C1051	NCBA1CK-223W	C CAPACITOR	0.022uF 16V K	
Q7802	or KTC801U/G/-X	PAIR TRANSISTOR			C1052	NCBA1CK-223W	C CAPACITOR	0.022uF 16V K	
Q7802	or RT3CLLM/EF/-X	PAIR TRANSISTOR			C1053	NCBA1CK-223W	C CAPACITOR	0.022uF 16V K	
Q7802	or UMX1N-W	PAIR TRANSISTOR			C1054	NCBA1CK-223W	C CAPACITOR	0.022uF 16V K	
Q7803	PUMX1-W	PAIR TRANSISTOR			C1055	NCB30JK-105X	C CAPACITOR	1uF 6.3V K	
Q7803	or BC847S-X	PAIR TRANSISTOR			C1601	NCBA1CK-103W	C CAPACITOR	0.01uF 16V K	
Q7803	or KTC801U/G/-X	PAIR TRANSISTOR			C1602	NBE20JM-106X	TA E CAPACITOR	10uF 6.3V M	
Q7803	or RT3CLLM/EF/-X	PAIR TRANSISTOR			C1603	NBE20JM-106X	TA E CAPACITOR	10uF 6.3V M	
Q7803	or UMX1N-W	PAIR TRANSISTOR			C1605	NCBA1AK-104W	C CAPACITOR	0.1uF 10V K	
Q7808	UMD3N-W	DIGI TRANSISTOR			C1606	NCBA1HK-152W	C CAPACITOR	1500pF 50V K	
Q7808	or XP4311-W	TRANSISTOR			C1607	NCBA1CK-473W	C CAPACITOR	0.047uF 16V K	
Q7808	or RT3T11M-X	DIGI TRANSISTOR			C1614	NBE21AM-106X	TA E CAPACITOR	10uF 10V M	
Q7808	or KRX201U-X	DIGI TRANSISTOR			C1618	NCBA1HK-222W	C CAPACITOR	2200pF 50V K	
Q8002	BCR183T-X	DIGI TRANSISTOR			C1619	NCBA1HK-222W	C CAPACITOR	2200pF 50V K	
Q8002	or DTA114EE-X	DIGI TRANSISTOR			C1620	NCBA1HK-222W	C CAPACITOR	2200pF 50V K	
Q8002	or KRA302E-X	DIGI TRANSISTOR			C1621	NCB30JK-105X	C CAPACITOR	1uF 6.3V K	
Q8002	or RT1P141U-X	DIGI TRANSISTOR			C1622	NCBA1CK-223W	C CAPACITOR	0.022uF 16V K	
Q8002	or PDTA114EE-X	DIGI TRANSISTOR			C1623	NCBA1CK-473W	C CAPACITOR	0.047uF 16V K	
D1001	DA221-X	DIODE ARRAY			C1624	NCBA1CK-103W	C CAPACITOR	0.01uF 16V K	
D1001	or MA133-X	SI DIODE			C1625	NDCA1HJ-101W	C CAPACITOR	100pF 50V J	
D1001	or KDS221E-X	SI DIODE			C1626	NCBA1EK-472W	C CAPACITOR	4700pF 25V K	
D1003	NSPW500CS/C0TU/	LED			C1627	NCBA1EK-472W	C CAPACITOR	4700pF 25V K	
D1603	DAP222-X	DIODE ARRAY	LD ON		C1628	NCB31CK-224X	C CAPACITOR	0.22uF 16V K	
D1603	or MA132WA-X	SI DIODE			C1629	NCB21EK-224X	C CAPACITOR	0.22uF 25V K	
D3001	EC2C01C-TR-X	VARI CAP DIODE	EC2C01CTR		C1630	NCB21EK-224X	C CAPACITOR	0.22uF 25V K	
D3002	EC2C01C-TR-X	VARI CAP DIODE	EC2C01CTR	FGH,JK	C1631	NBE20JM-106X	TA E CAPACITOR	10uF 6.3V M	
D4201	1SS355-X	SI DIODE			C1632	NCB21CK-474X	C CAPACITOR	0.47uF 16V K	
D4201	or MA111-X	SI DIODE			C1633	NCB30JK-474X	C CAPACITOR	0.47uF 6.3V K	
D4201	or 1SS352-X	SI DIODE			C1637	NBE20JM-106X	TA E CAPACITOR	10uF 6.3V M	
△ D6001	RB715W-X	SB DIODE			C1702	NCBA1AK-104W	C CAPACITOR	0.1uF 10V K	
D6503	1SS355-X	SI DIODE			C2202	NCB30JK-105X	C CAPACITOR	1uF 6.3V K	

MODEL	MARK	MODEL	MARK	MODEL	MARK	MODEL	MARK
GR-D360EX	A	GR-D366EK	D	GR-D370EX	G	GR-D390EK	K
GR-D360EY	B	GR-D368EF	E	GR-D370EY	H		
GR-D360EZ	C	GR-D370EK	F	GR-D370EZ	J		

△ Symbol No.	Part No.	Part Name	Description	Local	△ Symbol No.	Part No.	Part Name	Description	Local
C2203	NCB30JK-105X	C CAPACITOR	1uF 6.3V K		C3088	NCBA1AK-104W	C CAPACITOR	0.1uF 10V K	
C2204	NCB30JK-105X	C CAPACITOR	1uF 6.3V K		C3089	NCBA1AK-104W	C CAPACITOR	0.1uF 10V K	
C2205	NCB30JK-105X	C CAPACITOR	1uF 6.3V K		C3090	NCBA1AK-104W	C CAPACITOR	0.1uF 10V K	
C2209	NCB30JK-105X	C CAPACITOR	1uF 6.3V K		C3091	NCBA1AK-104W	C CAPACITOR	0.1uF 10V K	
C2210	NCB30JK-105X	C CAPACITOR	1uF 6.3V K		C3092	NCBA1AK-104W	C CAPACITOR	0.1uF 10V K	
C2213	NCBA1AK-104W	C CAPACITOR	0.1uF 10V K		C3093	NCBA1AK-104W	C CAPACITOR	0.1uF 10V K	
C2214	NCBA1AK-104W	C CAPACITOR	0.1uF 10V K		C3094	NCBA1AK-104W	C CAPACITOR	0.1uF 10V K	
C2217	NCBA1AK-104W	C CAPACITOR	0.1uF 10V K		C3095	NCBA1AK-104W	C CAPACITOR	0.1uF 10V K	
C2218	NCBA1AK-104W	C CAPACITOR	0.1uF 10V K		C3096	NCBA1AK-104W	C CAPACITOR	0.1uF 10V K	
C2223	NCBA1AK-104W	C CAPACITOR	0.1uF 10V K		C3097	NCBA1AK-104W	C CAPACITOR	0.1uF 10V K	
C2224	NCBA1AK-104W	C CAPACITOR	0.1uF 10V K		C3098	NCBA1AK-104W	C CAPACITOR	0.1uF 10V K	
C2402	NCJ20JK-106X-D	C CAPACITOR	10uF 6.3V K		C3099	NCBA1AK-104W	C CAPACITOR	0.1uF 10V K	
C2403	NCJ20JK-106X-D	C CAPACITOR	10uF 6.3V K		C3101	NCBA1AK-104W	C CAPACITOR	0.1uF 10V K	
C2404	NBE20JM-106X	TA E CAPACITOR	10uF 6.3V M		C3102	NCBA1AK-104W	C CAPACITOR	0.1uF 10V K	
C2405	NCBA1AK-104W	C CAPACITOR	0.1uF 10V K		C3127	NDCA1HJ-470W	C CAPACITOR	47pF 50V J	
C2406	NCJ20JK-106X-D	C CAPACITOR	10uF 6.3V K		C3128	NDCA1HJ-470W	C CAPACITOR	47pF 50V J	
C2407	NCJ20JK-106X-D	C CAPACITOR	10uF 6.3V K		C3504	NCBA1CK-473W	C CAPACITOR	0.047uF 16V K	
C2603	NCBA1CK-223W	C CAPACITOR	0.022uF 16V K		C3505	NCBA1CK-223W	C CAPACITOR	0.022uF 16V K	
C2604	NCBA1CK-223W	C CAPACITOR	0.022uF 16V K		C3506	NCB30JK-105X	C CAPACITOR	1uF 6.3V K	
C2605	NCBA1EK-472W	C CAPACITOR	4700pF 25V K		C3507	NCBA1CK-103W	C CAPACITOR	0.01uF 16V K	
C2606	NCBA1EK-472W	C CAPACITOR	4700pF 25V K		C3508	NCBA1CK-103W	C CAPACITOR	0.01uF 16V K	
C2611	NCB30JK-105X	C CAPACITOR	1uF 6.3V K		C3509	NCJ20JK-106X-D	C CAPACITOR	10uF 6.3V K	
C2612	NCB30JK-105X	C CAPACITOR	1uF 6.3V K		C3510	NCB30JK-105X	C CAPACITOR	1uF 6.3V K	
C2613	NCB30JK-105X	C CAPACITOR	1uF 6.3V K		C3511	NCBA1CK-103W	C CAPACITOR	0.01uF 16V K	
C2623	NDCA1HJ-100W	C CAPACITOR	10pF 50V J		C3512	NCBA1AK-104W	C CAPACITOR	0.1uF 10V K	
C2624	NDCA1HJ-100W	C CAPACITOR	10pF 50V J		C3513	NCJ20JK-106X-D	C CAPACITOR	10uF 6.3V K	
C2655	NCBA1CK-103W	C CAPACITOR	0.01uF 16V K		C3514	NCBA1CK-473W	C CAPACITOR	0.047uF 16V K	
C2656	NCBA1CK-103W	C CAPACITOR	0.01uF 16V K		C3515	NCBA1CK-473W	C CAPACITOR	0.047uF 16V K	
C3001	NBE20JM-106X	TA E CAPACITOR	10uF 6.3V M		C3516	NCBA1CK-473W	C CAPACITOR	0.047uF 16V K	
C3002	NCB30JK-105X	C CAPACITOR	1uF 6.3V K		C3517	NCBA1CK-103W	C CAPACITOR	0.01uF 16V K	
C3003	NBE20JM-106X	TA E CAPACITOR	10uF 6.3V M		C3518	NCBA1CK-103W	C CAPACITOR	0.01uF 16V K	
C3004	NCB30JK-105X	C CAPACITOR	1uF 6.3V K		C3519	NCBA1HK-102W	C CAPACITOR	1000pF 50V K	
C3005	NBE20JM-106X	TA E CAPACITOR	10uF 6.3V M		C3520	NCBA1CK-103W	C CAPACITOR	0.01uF 16V K	
C3006	NCB30JK-105X	C CAPACITOR	1uF 6.3V K		C3521	NCBA1AK-104W	C CAPACITOR	0.1uF 10V K	
C3007	NBE20JM-106X	TA E CAPACITOR	10uF 6.3V M		C3522	NCB20JM-475X	C CAPACITOR	4.7uF 6.3V M	
C3008	NCB30JK-105X	C CAPACITOR	1uF 6.3V K		C3523	NCBA1CK-103W	C CAPACITOR	0.01uF 16V K	
C3009	NBE20JM-106X	TA E CAPACITOR	10uF 6.3V M		C3524	NCBA1CK-103W	C CAPACITOR	0.01uF 16V K	
C3010	NCB30JK-105X	C CAPACITOR	1uF 6.3V K		C3525	NCB20JM-475X	C CAPACITOR	4.7uF 6.3V M	
C3011	NBE20JM-106X	TA E CAPACITOR	10uF 6.3V M		C3526	NCBA1CK-103W	C CAPACITOR	0.01uF 16V K	
C3012	NCBA1AK-104W	C CAPACITOR	0.1uF 10V K		C3527	NDCA1EJ-221W	C CAPACITOR	220pF 25V J	
C3019	NRSA6AJ-0R0W	MG RESISTOR	0Ω 1/16W J	A,B,C,D,E	C3701	NBE20JM-106X	TA E CAPACITOR	10uF 6.3V M	
C3024	NCB31CK-224X	C CAPACITOR	0.22uF 16V K		C3706	NCBA1AK-104W	C CAPACITOR	0.1uF 10V K	
C3027	NCBA1AK-104W	C CAPACITOR	0.1uF 10V K		C3707	NCBA1CK-103W	C CAPACITOR	0.01uF 16V K	
C3028	NCBA1AK-104W	C CAPACITOR	0.1uF 10V K		C3708	NBE20GM-226X	TA E CAPACITOR	22uF 4V M	
C3029	NCBA1AK-104W	C CAPACITOR	0.1uF 10V K		C3709	NBE20GM-226X	TA E CAPACITOR	22uF 4V M	
C3030	NCBA1AK-104W	C CAPACITOR	0.1uF 10V K		C3710	NBE20GM-107X	TA E CAPACITOR	100uF 4V M	
C3031	NCBA1AK-104W	C CAPACITOR	0.1uF 10V K		C3711	NBE20GM-107X	TA E CAPACITOR	100uF 4V M	
C3032	NCBA1AK-104W	C CAPACITOR	0.1uF 10V K		C3712	NCBA1CK-103W	C CAPACITOR	0.01uF 16V K	
C3033	NCBA1AK-104W	C CAPACITOR	0.1uF 10V K		C3714	NCB30JK-105X	C CAPACITOR	1uF 6.3V K	
C3034	NCB30JK-105X	C CAPACITOR	1uF 6.3V K		C4201	NCB11EK-105X	C CAPACITOR	1uF 25V K	
C3035	NCBA1CK-103W	C CAPACITOR	0.01uF 16V K		C4202	NCB31CK-104X	C CAPACITOR	0.1uF 16V K	
C3036	NDCA1HJ-560W	C CAPACITOR	56pF 50V J		C4203	NCB30JK-105X	C CAPACITOR	1uF 6.3V K	
C3037	NCBA1AK-104W	C CAPACITOR	0.1uF 10V K		C4204	NCB30JK-105X	C CAPACITOR	1uF 6.3V K	
C3039	NCBA1HK-102W	C CAPACITOR	1000pF 50V K		C4205	NCB30JK-105X	C CAPACITOR	1uF 6.3V K	
C3040	NCBA1AK-104W	C CAPACITOR	0.1uF 10V K	FGH,J,K	C4206	NCBA1AK-104W	C CAPACITOR	0.1uF 10V K	
C3042	NRSA6AJ-0R0W	MG RESISTOR	0Ω 1/16W J	A,B,C,D,E	C4207	NCBA1AK-104W	C CAPACITOR	0.1uF 10V K	
C3042	NCBA1HK-102W	C CAPACITOR	1000pF 50V K	FGH,J,K	C4208	NCB30JK-105X	C CAPACITOR	1uF 6.3V K	
C3043	NDCA1HJ-560W	C CAPACITOR	56pF 50V J	FGH,J,K	C4209	NCB30JK-105X	C CAPACITOR	1uF 6.3V K	
C3044	NCBA1CK-103W	C CAPACITOR	0.01uF 16V K		C4210	NCB31CK-104X	C CAPACITOR	0.1uF 16V K	
C3045	NCBA1HK-471W	C CAPACITOR	470pF 50V K		C4211	NCBA1AK-104W	C CAPACITOR	0.1uF 10V K	
C3046	NCBA1AK-104W	C CAPACITOR	0.1uF 10V K		C4212	NBE20JM-476X	TA E CAPACITOR	47uF 6.3V M	
C3048	NCBA1AK-104W	C CAPACITOR	0.1uF 10V K		C4213	NCBA1AK-104W	C CAPACITOR	0.1uF 10V K	
C3050	NCBA1AK-104W	C CAPACITOR	0.1uF 10V K		C4214	NDCA1HJ-150W	C CAPACITOR	15pF 50V J	
C3055	NCBA1AK-104W	C CAPACITOR	0.1uF 10V K		C4215	NDCA1HJ-8R0W	C CAPACITOR	8pF 50V J	
C3056	NCBA1AK-104W	C CAPACITOR	0.1uF 10V K		C4216	NCB11CK-475X	C CAPACITOR	4.7uF 16V K	
C3057	NCBA1AK-104W	C CAPACITOR	0.1uF 10V K		C4217	NBP21CM-106X	TA E CAPACITOR	10uF 16V M	
C3058	NCBA1AK-104W	C CAPACITOR	0.1uF 10V K		C4218	NCB11CK-475X	C CAPACITOR	4.7uF 16V K	
C3059	NCBA1AK-104W	C CAPACITOR	0.1uF 10V K		C4219	NCBA1AK-104W	C CAPACITOR	0.1uF 10V K	
C3060	NCBA1AK-104W	C CAPACITOR	0.1uF 10V K		C4220	NCBA1AK-104W	C CAPACITOR	0.1uF 10V K	
C3061	NCBA1AK-104W	C CAPACITOR	0.1uF 10V K		C4221	NCBA1AK-104W	C CAPACITOR	0.1uF 10V K	
C3065	NCBA1CK-103W	C CAPACITOR	0.01uF 16V K		C4224	NDCA1HJ-100W	C CAPACITOR	10pF 50V J	
C3067	NCBA1AK-104W	C CAPACITOR	0.1uF 10V K		C4225	NCB20JK-475X	C CAPACITOR	4.7uF 6.3V K	
C3070	NCBA1AK-104W	C CAPACITOR	0.1uF 10V K		C4902	NBZ0015-106X	TA E CAPACITOR	10uF 6.3V M	
C3079	NCB30JK-105X	C CAPACITOR	1uF 6.3V K		C4903	NBZ0015-106X	TA E CAPACITOR	10uF 6.3V M	
C3080	NCB30JK-105X	C CAPACITOR	1uF 6.3V K		C4905	NCFA1AZ-104W	C CAPACITOR	0.1uF 10V Z	
C3083	NCBA1AK-104W	C CAPACITOR	0.1uF 10V K		C4906	NCFA1AZ-104W	C CAPACITOR	0.1uF 10V Z	
C3084	NCBA1AK-104W	C CAPACITOR	0.1uF 10V K		C4907	NCBA1AK-104W	C CAPACITOR	0.1uF 10V K	
C3085	NCBA1AK-104W	C CAPACITOR	0.1uF 10V K		C4908	NCFA1AZ-104W	C CAPACITOR	0.1uF 10V Z	

MODEL	MARK	MODEL	MARK	MODEL	MARK	MODEL	MARK
GR-D360EX	A	GR-D366EK	D	GR-D370EX	G	GR-D390EK	K
GR-D360EY	B	GR-D368EF	E	GR-D370EY	H		
GR-D360EZ	C	GR-D370EK	F	GR-D370EZ	J		

△ Symbol No.	Part No.	Part Name	Description	Local	△ Symbol No.	Part No.	Part Name	Description	Local
C4909	NCBA1CK-103W	C CAPACITOR	0.01uF 16V K		C8022	NBE20JM-106X	TA E CAPACITOR	10uF 6.3V M	
C4912	NCFA1AZ-104W	C CAPACITOR	0.1uF 10V Z		C8023	NCBA1AK-104W	C CAPACITOR	0.1uF 10V K	
C4913	NCFA1AZ-104W	C CAPACITOR	0.1uF 10V Z		C8024	NCBA1AK-104W	C CAPACITOR	0.1uF 10V K	
C4914	NDCA1HJ-680W	C CAPACITOR	68pF 50V J		C8025	NBE20JM-106X	TA E CAPACITOR	10uF 6.3V M	
C4915	NDCA1HJ-121W	C CAPACITOR	120pF 50V J		C8026	NCBA1AK-104W	C CAPACITOR	0.1uF 10V K	
C4916	NCBA1AK-104W	C CAPACITOR	0.1uF 10V K		C8027	NCBA1AK-104W	C CAPACITOR	0.1uF 10V K	
C4917	NCB31AK-224X	C CAPACITOR	0.22uF 10V K		C8030	NBE20JM-106X	TA E CAPACITOR	10uF 6.3V M	
C4922	NCFA1AZ-104W	C CAPACITOR	0.1uF 10V Z		C8032	NCB30JK-105X	C CAPACITOR	1uF 6.3V K	
C4932	NBE21AM-106X	TA E CAPACITOR	10uF 10V M		C8034	NCB30JK-105X	C CAPACITOR	1uF 6.3V K	
C4935	NBZ0015-106X	TA E CAPACITOR	10uF 6.3V M		C8801	NCB20JM-475X	C CAPACITOR	4.7uF 6.3V M	
C6005	NCB21CK-105X	C CAPACITOR	1uF 16V K		C8802	NBE20JM-106X	TA E CAPACITOR	10uF 6.3V M	
C6006	NCBA1AK-104W	C CAPACITOR	0.1uF 10V K		C8803	NCBA1AK-104W	C CAPACITOR	0.1uF 10V K	
C6007	NCBA1AK-104W	C CAPACITOR	0.1uF 10V K		C8804	NCBA1AK-104W	C CAPACITOR	0.1uF 10V K	
C6008	NCB21CK-105X	C CAPACITOR	1uF 16V K		C8805	NCB30JK-105X	C CAPACITOR	1uF 6.3V K	
C6009	NCB31AK-224X	C CAPACITOR	0.22uF 10V K		C8806	NDCA1EJ-221W	C CAPACITOR	220pF 25V J	
C6010	NCB30JK-105X	C CAPACITOR	1uF 6.3V K		C8807	NCBA1AK-104W	C CAPACITOR	0.1uF 10V K	
C6011	NCB21CK-105X	C CAPACITOR	1uF 16V K		C8808	NCBA1CK-103W	C CAPACITOR	0.01uF 16V K	
C6101	NCB21CK-105X	C CAPACITOR	1uF 16V K		C8809	NCBA1CK-103W	C CAPACITOR	0.01uF 16V K	
C6102	NCJ20JK-106X-D	C CAPACITOR	10uF 6.3V K		C8810	NCBA1CK-103W	C CAPACITOR	0.01uF 16V K	
C6103	NCBA1HK-221W	C CAPACITOR	220pF 50V K		C8811	NCBA1AK-104W	C CAPACITOR	0.1uF 10V K	
C6104	NCBA1HK-681W	C CAPACITOR	680pF 50V K						
C6105	NCBA1CK-103W	C CAPACITOR	0.01uF 16V K		R1001	NRSA6AJ-105W	MG RESISTOR	1MΩ 1/16W J	
C6106	NCB30JK-105X	C CAPACITOR	1uF 6.3V K		R1002	NRSA6AJ-470W	MG RESISTOR	47Ω 1/16W J	
C6107	NCBA1CK-223W	C CAPACITOR	0.022uF 16V K		R1003	NRSA6AJ-104W	MG RESISTOR	100kΩ 1/16W J	
C6202	NCJ20JK-106X-D	C CAPACITOR	10uF 6.3V K		R1006	NRSA6AJ-104W	MG RESISTOR	100kΩ 1/16W J	
C6203	NCBA1HK-681W	C CAPACITOR	680pF 50V K		R1007	NRSA6AJ-222W	MG RESISTOR	2.2kΩ 1/16W J	
C6204	NCBA1HK-221W	C CAPACITOR	220pF 50V K		R1008	NRSA6AJ-473W	MG RESISTOR	47kΩ 1/16W J	
C6301	NCB21CK-105X	C CAPACITOR	1uF 16V K		R1009	NRSA6AJ-823W	MG RESISTOR	82kΩ 1/16W J	
C6302	NCB21CK-105X	C CAPACITOR	1uF 16V K		R1010	NRSA6AJ-623W	MG RESISTOR	62kΩ 1/16W J	
C6303	NCBA1AK-683W	C CAPACITOR	0.068uF 10V K		R1011	NRSA6AJ-103W	MG RESISTOR	10kΩ 1/16W J	
C6305	NCBA1AK-104W	C CAPACITOR	0.1uF 10V K		R1012	NRSA6AJ-104W	MG RESISTOR	100kΩ 1/16W J	
C6402	NCB21CK-105X	C CAPACITOR	1uF 16V K		R1013	NRSA6AJ-104W	MG RESISTOR	100kΩ 1/16W J	
C6403	NCB30JK-105X	C CAPACITOR	1uF 6.3V K		R1014	NRSA6AJ-105W	MG RESISTOR	1MΩ 1/16W J	
C6405	NCBA1CK-103W	C CAPACITOR	0.01uF 16V K		R1015	NRSA6AJ-104W	MG RESISTOR	100kΩ 1/16W J	
C6501	NCB21CK-105X	C CAPACITOR	1uF 16V K		R1016	NRSA6AJ-753W	MG RESISTOR	75kΩ 1/16W J	
C6502	NCB21CK-105X	C CAPACITOR	1uF 16V K		R1017	NRSA6AJ-334W	MG RESISTOR	330kΩ 1/16W J	
C6503	NCB21CK-105X	C CAPACITOR	1uF 16V K		R1018	NRSA6AJ-332W	MG RESISTOR	3.3kΩ 1/16W J	
C6505	NCB21CK-105X	C CAPACITOR	1uF 16V K		R1019	NRSA6AJ-332W	MG RESISTOR	3.3kΩ 1/16W J	
C6506	NCB21CK-105X	C CAPACITOR	1uF 16V K		R1020	NRSA6AJ-332W	MG RESISTOR	3.3kΩ 1/16W J	
C6509	NCBA1AK-333W	C CAPACITOR	0.033uF 10V K		R1021	NRSA6AJ-473W	MG RESISTOR	47kΩ 1/16W J	
C6510	NCBA1CK-473W	C CAPACITOR	0.047uF 16V K		R1023	NRSA6AJ-473W	MG RESISTOR	47kΩ 1/16W J	
C6511	NCBA1AK-104W	C CAPACITOR	0.1uF 10V K		R1024	NRSA6AJ-102W	MG RESISTOR	1kΩ 1/16W J	
C6512	NCB31CK-104X	C CAPACITOR	0.1uF 16V K		R1026	NRSA6AJ-273W	MG RESISTOR	27kΩ 1/16W J	
C6701	NCB31CK-105X	C CAPACITOR	1uF 16V K		R1027	NRSA6AJ-104W	MG RESISTOR	100kΩ 1/16W J	
C6702	NCB41CK-106X	C CAPACITOR	10uF 16V K		R1028	NRSA6AJ-104W	MG RESISTOR	100kΩ 1/16W J	
C6704	NCBA1EK-472W	C CAPACITOR	4700pF 25V K		R1029	NRSA6AJ-104W	MG RESISTOR	100kΩ 1/16W J	
C6705	NCBA1CK-103W	C CAPACITOR	0.01uF 16V K		R1030	NRSA6AJ-104W	MG RESISTOR	100kΩ 1/16W J	
C6706	NCBA1HK-221W	C CAPACITOR	220pF 50V K		R1031	NRSA6AJ-473W	MG RESISTOR	47kΩ 1/16W J	
C6707	NCBA1HK-821W	C CAPACITOR	820pF 50V K		R1032	NRSA6AJ-102W	MG RESISTOR	1kΩ 1/16W J	
C6802	NCJ20JK-106X-D	C CAPACITOR	10uF 6.3V K		R1033	NRSA6AJ-102W	MG RESISTOR	1kΩ 1/16W J	
C6803	NCBA1HK-102W	C CAPACITOR	1000pF 50V K		R1034	NRSA6AJ-104W	MG RESISTOR	100kΩ 1/16W J	FGH,JK
C6804	NCBA1HK-392W	C CAPACITOR	3900pF 50V K		R1035	NRSA6AJ-104W	MG RESISTOR	100kΩ 1/16W J	AB,C,D,E
C7701	NCB11CK-225X-A	C CAPACITOR	2.2uF 16V K		R1036	NRSA6AJ-561W	MG RESISTOR	560Ω 1/16W J	
C7702	NCB31CK-104X	C CAPACITOR	0.1uF 16V K		R1038	NRSA6AJ-102W	MG RESISTOR	1kΩ 1/16W J	
C7703	NCB31AK-105X	C CAPACITOR	1uF 10V K		R1040	NRSA6AJ-102W	MG RESISTOR	1kΩ 1/16W J	
C7801	NCB31AK-105X	C CAPACITOR	1uF 10V K		R1041	NRSA6AJ-152W	MG RESISTOR	1.5kΩ 1/16W J	
C7802	NCB21AK-225X	C CAPACITOR	2.2uF 10V K		R1042	NRSA6AJ-104W	MG RESISTOR	100kΩ 1/16W J	
C7803	NCB21AK-225X	C CAPACITOR	2.2uF 10V K		R1043	NRSA6AJ-104W	MG RESISTOR	100kΩ 1/16W J	
C7804	NCB21AK-225X	C CAPACITOR	2.2uF 10V K		R1044	NRSA6AJ-104W	MG RESISTOR	100kΩ 1/16W J	
C7806	NCB21CK-105X	C CAPACITOR	1uF 16V K		R1045	NRSA63J-472X	MG RESISTOR	4.7kΩ 1/16W J	
C7807	NCB31AK-105X	C CAPACITOR	1uF 10V K		R1046	NRSA6AJ-103W	MG RESISTOR	10kΩ 1/16W J	
C7809	NCB11CK-475X	C CAPACITOR	4.7uF 16V K		R1047	NRSA6AJ-154W	MG RESISTOR	150kΩ 1/16W J	
C7811	NCB31CK-104X	C CAPACITOR	0.1uF 16V K		R1048	NRSA6AJ-272W	MG RESISTOR	2.7kΩ 1/16W J	
C8001	NBE20JM-106X	TA E CAPACITOR	10uF 6.3V M		R1049	NRSA6AJ-183W	MG RESISTOR	18kΩ 1/16W J	
C8002	NBE20JM-106X	TA E CAPACITOR	10uF 6.3V M		R1050	NRSA6AJ-473W	MG RESISTOR	47kΩ 1/16W J	
C8003	NCBA1AK-104W	C CAPACITOR	0.1uF 10V K		R1051	NRSA6AJ-822W	MG RESISTOR	8.2kΩ 1/16W J	
C8004	NCBA1AK-104W	C CAPACITOR	0.1uF 10V K		R1052	NRSA6AJ-123W	MG RESISTOR	12kΩ 1/16W J	
C8005	NCBA1AK-104W	C CAPACITOR	0.1uF 10V K		R1053	NRSA6AJ-473W	MG RESISTOR	47kΩ 1/16W J	
C8006	NCBA1AK-104W	C CAPACITOR	0.1uF 10V K		R1054	NRSA6AJ-393W	MG RESISTOR	39kΩ 1/16W J	
C8007	NCBA1AK-104W	C CAPACITOR	0.1uF 10V K		R1055	NRSA6AJ-102W	MG RESISTOR	1kΩ 1/16W J	
C8008	NCBA1AK-104W	C CAPACITOR	0.1uF 10V K		R1056	NRSA6AJ-223W	MG RESISTOR	22kΩ 1/16W J	
C8009	NCBA1AK-104W	C CAPACITOR	0.1uF 10V K		R1057	NRSA6AJ-104W	MG RESISTOR	100kΩ 1/16W J	
C8010	NCBA1AK-104W	C CAPACITOR	0.1uF 10V K		R1058	NRSA6AJ-103W	MG RESISTOR	10kΩ 1/16W J	
C8011	NBE20JM-106X	TA E CAPACITOR	10uF 6.3V M		R1059	NRSA6AJ-103W	MG RESISTOR	10kΩ 1/16W J	
C8012	NCBA1AK-104W	C CAPACITOR	0.1uF 10V K		R1060	NRSA6AJ-103W	MG RESISTOR	10kΩ 1/16W J	
C8013	NCBA1AK-104W	C CAPACITOR	0.1uF 10V K		R1061	NRSA6AJ-103W	MG RESISTOR	10kΩ 1/16W J	
C8018	NCBA1AK-104W	C CAPACITOR	0.1uF 10V K		R1062	NRSA6AJ-332W	MG RESISTOR	3.3kΩ 1/16W J	
C8021	NCBA1CK-103W	C CAPACITOR	0.01uF 16V K		R1063	NRSA6AJ-332W	MG RESISTOR	3.3kΩ 1/16W J	

MODEL	MARK	MODEL	MARK	MODEL	MARK	MODEL	MARK
GR-D360EX	A	GR-D366EK	D	GR-D370EX	G	GR-D390EK	K
GR-D360EY	B	GR-D368EF	E	GR-D370EY	H		
GR-D360EZ	C	GR-D370EK	F	GR-D370EZ	J		

△ Symbol No.	Part No.	Part Name	Description	Local	△ Symbol No.	Part No.	Part Name	Description	Local
R1064	NRSA6AJ-332W	MG RESISTOR	3.3kΩ	1/16W J	R2610	NRSA6AJ-223W	MG RESISTOR	22kΩ	1/16W J
R1065	NRSA6AJ-332W	MG RESISTOR	3.3kΩ	1/16W J	R3005	NRSA6AJ-224W	MG RESISTOR	220kΩ	1/16W J
R1066	NRSA6AJ-104W	MG RESISTOR	100kΩ	1/16W J	R3006	NRSA6AJ-224W	MG RESISTOR	220kΩ	1/16W J F,G,H,J,K
R1067	NRSA6AJ-473W	MG RESISTOR	47kΩ	1/16W J	R3007	NRSA6AJ-473W	MG RESISTOR	47kΩ	1/16W J
R1068	NRSA6AJ-473W	MG RESISTOR	47kΩ	1/16W J	R3009	NRSA6AJ-473W	MG RESISTOR	47kΩ	1/16W J
R1069	NRSA6AJ-102W	MG RESISTOR	1kΩ	1/16W J	R3011	NRSA6AJ-822W	MG RESISTOR	8.2kΩ	1/16W J
R1070	NRSA6AJ-102W	MG RESISTOR	1kΩ	1/16W J	R3012	NRSA6AJ-0R0W	MG RESISTOR	0Ω	1/16W J
R1071	NRSA6AJ-102W	MG RESISTOR	1kΩ	1/16W J	R3014	NRSA6AJ-152W	MG RESISTOR	1.5kΩ	1/16W J
R1074	NRSA6AJ-102W	MG RESISTOR	1kΩ	1/16W J	R3016	NRSA6AJ-822W	MG RESISTOR	8.2kΩ	1/16W J
R1075	NRSA6AJ-102W	MG RESISTOR	1kΩ	1/16W J	R3017	NRSA6AJ-121W	MG RESISTOR	120Ω	1/16W J
R1076	NRSA6AJ-102W	MG RESISTOR	1kΩ	1/16W J	R3018	NRSA6AJ-822W	MG RESISTOR	8.2kΩ	1/16W J
R1077	NRSA6AJ-103W	MG RESISTOR	10kΩ	1/16W J	R3022	NRSA6AJ-0R0W	MG RESISTOR	0Ω	1/16W J
R1078	NRSA6AJ-103W	MG RESISTOR	10kΩ	1/16W J	R3028	NRSA6AJ-331W	MG RESISTOR	330Ω	1/16W J
R1079	NRSA6AJ-103W	MG RESISTOR	10kΩ	1/16W J	R3029	NRSA6AJ-332W	MG RESISTOR	3.3kΩ	1/16W J
R1080	NRSA6AJ-104W	MG RESISTOR	100kΩ	1/16W J	R3031	NRSA6AJ-103W	MG RESISTOR	10kΩ	1/16W J
R1081	NRSA6AJ-330W	MG RESISTOR	33Ω	1/16W J	R3041	NRSA6AJ-103W	MG RESISTOR	10kΩ	1/16W J F,G,H,J,K
R1082	NRSA6AJ-104W	MG RESISTOR	100kΩ	1/16W J	R3043	NRSA6AJ-331W	MG RESISTOR	330Ω	1/16W J
R1083	NRSA6AJ-102W	MG RESISTOR	1kΩ	1/16W J	R3044	NRSA6AJ-332W	MG RESISTOR	3.3kΩ	1/16W J
R1084	NRSA6AJ-102W	MG RESISTOR	1kΩ	1/16W J	R3060	NRSA6AD-911W	MG RESISTOR	910Ω	1/16W D
R1086	NRSA6AJ-104W	MG RESISTOR	100kΩ	1/16W J	R3061	NRSA6AD-911W	MG RESISTOR	910Ω	1/16W D
R1091	NRSA6AJ-182W	MG RESISTOR	1.8kΩ	1/16W J	R3062	NRSA6AD-911W	MG RESISTOR	910Ω	1/16W D
R1092	NRSA6AJ-391W	MG RESISTOR	390Ω	1/16W J	R3063	NRSA6AD-822W	MG RESISTOR	8.2kΩ	1/16W D
R1093	NRSA6AJ-152W	MG RESISTOR	1.5kΩ	1/16W J	R3064	NRSA6AD-153W	MG RESISTOR	15kΩ	1/16W D
R1094	NRSA6AJ-220W	MG RESISTOR	22Ω	1/16W J	R3065	NRSA6AD-273W	MG RESISTOR	27kΩ	1/16W D
R1095	NRSA6AJ-104W	MG RESISTOR	100kΩ	1/16W J F,G,H,J,K	R3066	NRSA6AD-911W	MG RESISTOR	910Ω	1/16W D
R1096	NRSA6AJ-104W	MG RESISTOR	100kΩ	1/16W J A,B,C,D,E	R3067	NRSA6AD-822W	MG RESISTOR	8.2kΩ	1/16W D
R1601	NRSA6AJ-681W	MG RESISTOR	680Ω	1/16W J	R3068	NRSA6AD-911W	MG RESISTOR	910Ω	1/16W D
R1602	NRSA6AJ-124W	MG RESISTOR	120kΩ	1/16W J	R3069	NRSA6AD-911W	MG RESISTOR	910Ω	1/16W D
R1603	NRSA6AJ-472W	MG RESISTOR	4.7kΩ	1/16W J	R3071	NRSA6AD-221W	MG RESISTOR	220Ω	1/16W D
R1604	NRSA6AJ-104W	MG RESISTOR	100kΩ	1/16W J	R3072	NRSA6AD-272W	MG RESISTOR	2.7kΩ	1/16W D
R1610	NRSA6AJ-271W	MG RESISTOR	270Ω	1/16W J	R3073	NRSA6AD-221W	MG RESISTOR	220Ω	1/16W D
R1611	NRSA6AJ-271W	MG RESISTOR	270Ω	1/16W J	R3074	NRSA6AD-273W	MG RESISTOR	27kΩ	1/16W D
R1612	NRSA6AJ-683W	MG RESISTOR	68kΩ	1/16W J	R3075	NRSA6AD-153W	MG RESISTOR	15kΩ	1/16W D
R1613	NRSA6AJ-102W	MG RESISTOR	1kΩ	1/16W J	R3083	NRSA6AJ-102W	MG RESISTOR	1kΩ	1/16W J
R1614	NRZ0072-R330X	MG RESISTOR	0.33Ω	1/4W F	R3115	NRSA6AJ-101W	MG RESISTOR	100Ω	1/16W J
R1616	NRVA6AD-392W	CMF RESISTOR	3.9kΩ	1/16W D	R3121	NRSA6AJ-0R0W	MG RESISTOR	0Ω	1/16W J
R1617	NRZ0072-R330X	MG RESISTOR	0.33Ω	1/4W F	R3126	NRSA6AJ-0R0W	MG RESISTOR	0Ω	1/16W J
R1620	NRSA6AJ-683W	MG RESISTOR	68kΩ	1/16W J	R3128	NRSA6AJ-470W	MG RESISTOR	47Ω	1/16W J
R1621	NRSA6AJ-103W	MG RESISTOR	10kΩ	1/16W J	R3156	NRSA6AJ-0R0W	MG RESISTOR	0Ω	1/16W J
R1622	NRSA6AJ-103W	MG RESISTOR	10kΩ	1/16W J	R3157	NRSA6AJ-0R0W	MG RESISTOR	0Ω	1/16W J
R1624	NRVA6AD-183W	CMF RESISTOR	18kΩ	1/16W D	R3158	NRSA6AJ-0R0W	MG RESISTOR	0Ω	1/16W J
R1625	NRVA6AD-681W	CMF RESISTOR	680Ω	1/16W D	R3159	NRSA6AJ-101W	MG RESISTOR	100Ω	1/16W J
R1629	NRSA6AJ-564W	MG RESISTOR	560kΩ	1/16W J	R3160	NRSA6AJ-102W	MG RESISTOR	1kΩ	1/16W J
R1635	NRSA6AJ-332W	MG RESISTOR	3.3kΩ	1/16W J	R3161	NRSA6AJ-102W	MG RESISTOR	1kΩ	1/16W J
R1636	NRSA6AJ-123W	MG RESISTOR	12kΩ	1/16W J	R3162	NRSA6AJ-102W	MG RESISTOR	1kΩ	1/16W J
R1637	NRSA6AJ-154W	MG RESISTOR	150kΩ	1/16W J	R3163	NRSA6AJ-102W	MG RESISTOR	1kΩ	1/16W J
R1701	NRSA6AJ-823W	MG RESISTOR	82kΩ	1/16W J	R3164	NRSA6AJ-102W	MG RESISTOR	1kΩ	1/16W J
R1702	NRSA6AJ-222W	MG RESISTOR	2.2kΩ	1/16W J	R3165	NRSA6AJ-102W	MG RESISTOR	1kΩ	1/16W J
R1703	NRSA6AJ-222W	MG RESISTOR	2.2kΩ	1/16W J	R3166	NRSA6AJ-102W	MG RESISTOR	1kΩ	1/16W J
R1704	NRSA6AJ-222W	MG RESISTOR	2.2kΩ	1/16W J	R3167	NRSA6AJ-102W	MG RESISTOR	1kΩ	1/16W J
R1705	NRSA6AJ-222W	MG RESISTOR	2.2kΩ	1/16W J	R3168	NRSA6AJ-681W	MG RESISTOR	680Ω	1/16W J
R1706	NRSA6AJ-823W	MG RESISTOR	82kΩ	1/16W J	R3169	NRSA6AJ-681W	MG RESISTOR	680Ω	1/16W J
R1707	NRSA6AJ-103W	MG RESISTOR	10kΩ	1/16W J	R3172	NRSA6AJ-101W	MG RESISTOR	100Ω	1/16W J
R1708	NRSA6AJ-124W	MG RESISTOR	120kΩ	1/16W J	R3501	NRSA6AJ-471W	MG RESISTOR	470Ω	1/16W J
R1709	NRSA6AJ-103W	MG RESISTOR	10kΩ	1/16W J	R3502	NRSA6AJ-104W	MG RESISTOR	100kΩ	1/16W J
R1710	NRSA6AJ-124W	MG RESISTOR	120kΩ	1/16W J	R3503	NRSA6AJ-102W	MG RESISTOR	1kΩ	1/16W J
R1711	NRSA6AJ-102W	MG RESISTOR	1kΩ	1/16W J	R3504	NRSA6AD-241W	MG RESISTOR	240Ω	1/16W D
R1712	NRSA6AJ-102W	MG RESISTOR	1kΩ	1/16W J	R3505	NRSA6AD-241W	MG RESISTOR	240Ω	1/16W D
R2202	NRSA6AJ-564W	MG RESISTOR	560kΩ	1/16W J	R3506	NRSA6AD-241W	MG RESISTOR	240Ω	1/16W D
R2203	NRSA6AJ-393W	MG RESISTOR	39kΩ	1/16W J	R3507	NRSA6AD-241W	MG RESISTOR	240Ω	1/16W D
R2204	NRSA6AJ-154W	MG RESISTOR	150kΩ	1/16W J	R3508	NRSA6AJ-223W	MG RESISTOR	22kΩ	1/16W J
R2206	NRSA6AJ-563W	MG RESISTOR	56kΩ	1/16W J	R3516	NRSA6AJ-0R0W	MG RESISTOR	0Ω	1/16W J
R2207	NRSA6AJ-563W	MG RESISTOR	56kΩ	1/16W J	R3705	NRSA6AD-680W	MG RESISTOR	68Ω	1/16W D
R2208	NRSA6AJ-223W	MG RESISTOR	22kΩ	1/16W J	R3706	NRSA6AD-680W	MG RESISTOR	68Ω	1/16W D
R2209	NRSA6AJ-223W	MG RESISTOR	22kΩ	1/16W J	R3707	NRSA6AD-680W	MG RESISTOR	68Ω	1/16W D
R2210	NRSA6AJ-821W	MG RESISTOR	820Ω	1/16W J	R3709	NRSA6AJ-105W	MG RESISTOR	1MΩ	1/16W J
R2211	NRSA6AJ-821W	MG RESISTOR	820Ω	1/16W J	R3710	NRSA6AJ-104W	MG RESISTOR	100kΩ	1/16W J
R2212	NRSA6AJ-2R7W	MG RESISTOR	2.7Ω	1/16W J	R3711	NRSA6AJ-823W	MG RESISTOR	82kΩ	1/16W J
R2213	NRSA6AJ-2R7W	MG RESISTOR	2.7Ω	1/16W J	R3712	NRSA6AJ-103W	MG RESISTOR	10kΩ	1/16W J
R2217	NRSA6AJ-100W	MG RESISTOR	10Ω	1/16W J	R4201	NRSA6AJ-104W	MG RESISTOR	100kΩ	1/16W J
R2402	NRSA6AJ-472W	MG RESISTOR	4.7kΩ	1/16W J	R4204	NRSA6AJ-100W	MG RESISTOR	10Ω	1/16W J
R2403	NRSA6AJ-183W	MG RESISTOR	18kΩ	1/16W J	R4205	NRSA6AJ-100W	MG RESISTOR	10Ω	1/16W J
R2407	NRSA6AJ-100W	MG RESISTOR	10Ω	1/16W J	R4206	NRSA6AJ-100W	MG RESISTOR	10Ω	1/16W J
R2601	NRSA6AJ-222W	MG RESISTOR	2.2kΩ	1/16W J	R4207	NRSA6AJ-100W	MG RESISTOR	10Ω	1/16W J
R2602	NRSA6AJ-222W	MG RESISTOR	2.2kΩ	1/16W J	R4208	NRSA6AJ-0R0W	MG RESISTOR	0Ω	1/16W J
R2607	NRSA6AJ-222W	MG RESISTOR	2.2kΩ	1/16W J	R4209	NRSA6AJ-105W	MG RESISTOR	1MΩ	1/16W J
R2608	NRSA6AJ-222W	MG RESISTOR	2.2kΩ	1/16W J	R4210	NRSA6AJ-681W	MG RESISTOR	680Ω	1/16W J
R2609	NRSA6AJ-223W	MG RESISTOR	22kΩ	1/16W J	R4216	NRSA6AJ-101W	MG RESISTOR	100Ω	1/16W J

MODEL	MARK	MODEL	MARK	MODEL	MARK	MODEL	MARK
GR-D360EX	A	GR-D366EK	D	GR-D370EX	G	GR-D390EK	K
GR-D360EY	B	GR-D368EF	E	GR-D370EY	H		
GR-D360EZ	C	GR-D370EK	F	GR-D370EZ	J		

△ Symbol No.	Part No.	Part Name	Description	Local	△ Symbol No.	Part No.	Part Name	Description	Local
R4217	NRSA6AJ-101W	MG RESISTOR	100Ω	1/16W J	R7712	NRSA6AJ-682W	MG RESISTOR	6.8kΩ	1/16W J
R4218	NRSA6AJ-100W	MG RESISTOR	10Ω	1/16W J	R7713	NRSA6AJ-682W	MG RESISTOR	6.8kΩ	1/16W J
R4219	NRSA6AJ-100W	MG RESISTOR	10Ω	1/16W J	R7714	NRSA6AJ-682W	MG RESISTOR	6.8kΩ	1/16W J
R4220	NRSA6AJ-101W	MG RESISTOR	100Ω	1/16W J	R7721	NRSA63J-0R0X	MG RESISTOR	0Ω	1/16W J
R4221	NRSA6AJ-100W	MG RESISTOR	10Ω	1/16W J	R7801	NRSA6AD-393W	MG RESISTOR	39kΩ	1/16W D
R4901	NRSA6AJ-392W	MG RESISTOR	3.9kΩ	1/16W J	R7802	NRSA6AD-682W	MG RESISTOR	6.8kΩ	1/16W D
R4903	NRSA6AJ-822W	MG RESISTOR	8.2kΩ	1/16W J	R7803	NRSA6AD-123W	MG RESISTOR	12kΩ	1/16W D
R4904	NRSA6AJ-103W	MG RESISTOR	10kΩ	1/16W J	R7804	NRSA6AD-123W	MG RESISTOR	12kΩ	1/16W D
R4905	NRSA6AJ-153W	MG RESISTOR	15kΩ	1/16W J	R7805	NRSA6AD-123W	MG RESISTOR	12kΩ	1/16W D
R4906	NRSA6AJ-564W	MG RESISTOR	560kΩ	1/16W J	R7806	NRSA6AD-392W	MG RESISTOR	3.9kΩ	1/16W D
R4907	NRSA6AJ-105W	MG RESISTOR	1MΩ	1/16W J	R7807	NRSA6AD-392W	MG RESISTOR	3.9kΩ	1/16W D
R4908	NRSA6AJ-472W	MG RESISTOR	4.7kΩ	1/16W J	R7808	NRSA6AD-392W	MG RESISTOR	3.9kΩ	1/16W D
R4909	NRSA6AJ-105W	MG RESISTOR	1MΩ	1/16W J	R7809	NRSA6AJ-682W	MG RESISTOR	6.8kΩ	1/16W J
R4910	NRSA6AJ-101W	MG RESISTOR	100Ω	1/16W J	R7810	NRSA6AJ-682W	MG RESISTOR	6.8kΩ	1/16W J
R4911	NRSA6AJ-101W	MG RESISTOR	100Ω	1/16W J	R7811	NRSA6AJ-682W	MG RESISTOR	6.8kΩ	1/16W J
R4916	NRSA6AJ-103W	MG RESISTOR	10kΩ	1/16W J	R7812	NRSA6AD-103W	MG RESISTOR	10kΩ	1/16W D
R4917	NRSA6AJ-103W	MG RESISTOR	10kΩ	1/16W J	R7813	NRSA6AD-103W	MG RESISTOR	10kΩ	1/16W D
R4919	NRSA6AJ-103W	MG RESISTOR	10kΩ	1/16W J	R7814	NRSA6AD-103W	MG RESISTOR	10kΩ	1/16W D
R4920	NRSA6AJ-103W	MG RESISTOR	10kΩ	1/16W J	R7815	NRSA6AD-273W	MG RESISTOR	27kΩ	1/16W D
R4923	NRSA6AJ-123W	MG RESISTOR	12kΩ	1/16W J	R7816	NRSA6AD-273W	MG RESISTOR	27kΩ	1/16W D
R4924	NRSA6AJ-123W	MG RESISTOR	12kΩ	1/16W J	R7817	NRSA6AD-273W	MG RESISTOR	27kΩ	1/16W D
R4925	NRSA6AJ-104W	MG RESISTOR	100kΩ	1/16W J	R7824	NRSA6AD-103W	MG RESISTOR	10kΩ	1/16W D
R4926	NRSA6AJ-123W	MG RESISTOR	12kΩ	1/16W J	R7825	NRSA6AD-332W	MG RESISTOR	3.3kΩ	1/16W D
R4927	NRSA6AJ-123W	MG RESISTOR	12kΩ	1/16W J	R7826	NRSA6AD-273W	MG RESISTOR	27kΩ	1/16W D
R4929	NRSA6AJ-0R0W	MG RESISTOR	0Ω	1/16W J	R7827	NRSA6AD-103W	MG RESISTOR	10kΩ	1/16W D
R4931	NRSA6AJ-271W	MG RESISTOR	270Ω	1/16W J	R7828	NRSA6AD-273W	MG RESISTOR	27kΩ	1/16W D
R4934	NRSA6AJ-183W	MG RESISTOR	18kΩ	1/16W J	R7831	NRSA6AJ-0R0W	MG RESISTOR	0Ω	1/16W J
R4935	NRSA6AJ-472W	MG RESISTOR	4.7kΩ	1/16W J	R7832	NRSA6AJ-0R0W	MG RESISTOR	0Ω	1/16W J
R4944	NRSA6AJ-0R0W	MG RESISTOR	0Ω	1/16W J	R8002	NRSA6AJ-103W	MG RESISTOR	10kΩ	1/16W J
R4951	NRSA6AJ-103W	MG RESISTOR	10kΩ	1/16W J	R8008	NRSA6AJ-561W	MG RESISTOR	560kΩ	1/16W J
R6001	NRSA6AJ-102W	MG RESISTOR	1kΩ	1/16W J	R8009	NRSA6AJ-105W	MG RESISTOR	1MΩ	1/16W J
R6005	NRVA6AD-303W	CMF RESISTOR	30kΩ	1/16W D	R8015	NRSA6AJ-473W	MG RESISTOR	47kΩ	1/16W J
R6008	NRVA6AD-823W	CMF RESISTOR	82kΩ	1/16W D	R8016	NRSA6AJ-103W	MG RESISTOR	10kΩ	1/16W J
R6009	NRVA6AD-333W	CMF RESISTOR	33kΩ	1/16W D	R8017	NRSA6AJ-103W	MG RESISTOR	10kΩ	1/16W J
△ R6010	NRSA6AJ-102W	MG RESISTOR	1kΩ	1/16W J	R8019	NRSA6AJ-221W	MG RESISTOR	220Ω	1/16W J
R6103	NRSA6AJ-822W	MG RESISTOR	8.2kΩ	1/16W J	R8021	NRSA6AJ-221W	MG RESISTOR	220Ω	1/16W J
R6105	NRSA6AJ-123W	MG RESISTOR	12kΩ	1/16W J	R8022	NRSA6AJ-0R0W	MG RESISTOR	0Ω	1/16W J
R6106	NRSA6AJ-104W	MG RESISTOR	100kΩ	1/16W J	R8023	NRSA6AJ-472W	MG RESISTOR	4.7kΩ	1/16W J
R6107	NRSA6AD-153W	MG RESISTOR	15kΩ	1/16W D	R8025	NRSA6AJ-472W	MG RESISTOR	4.7kΩ	1/16W J
R6108	NRSA6AD-123W	MG RESISTOR	12kΩ	1/16W D	R8031	NRSA6AJ-100W	MG RESISTOR	10kΩ	1/16W J
R6110	NRSA6AJ-332W	MG RESISTOR	3.3kΩ	1/16W J	R8032	NRSA6AJ-0R0W	MG RESISTOR	0Ω	1/16W J
R6201	NRSA6AD-153W	MG RESISTOR	15kΩ	1/16W D	R8041	NRSA6AJ-103W	MG RESISTOR	10kΩ	1/16W J
R6202	NRSA6AD-753W	MG RESISTOR	75kΩ	1/16W D	R8042	NRSA6AJ-103W	MG RESISTOR	10kΩ	1/16W J
R6203	NRSA6AJ-0R0W	MG RESISTOR	0Ω	1/16W J	R8046	NRSA6AJ-101W	MG RESISTOR	100Ω	1/16W J
R6204	NRSA6AJ-822W	MG RESISTOR	8.2kΩ	1/16W J	R8050	NRSA6AJ-105W	MG RESISTOR	1MΩ	1/16W J
R6303	NRSA6AJ-104W	MG RESISTOR	100kΩ	1/16W J	R8051	NRSA6AJ-105W	MG RESISTOR	1MΩ	1/16W J
R6304	NRSA6AJ-123W	MG RESISTOR	12kΩ	1/16W J	R8056	NRSA6AJ-152W	MG RESISTOR	1.5kΩ	1/16W J
R6305	NRSA6AJ-103W	MG RESISTOR	10kΩ	1/16W J	R8058	NRSA6AJ-0R0W	MG RESISTOR	0Ω	1/16W J
R6403	NRSA6AJ-273W	MG RESISTOR	27kΩ	1/16W J	R8059	NRSA6AJ-154W	MG RESISTOR	150kΩ	1/16W J
R6404	NRSA6AJ-473W	MG RESISTOR	47kΩ	1/16W J	R8060	NRSA6AJ-0R0W	MG RESISTOR	0Ω	1/16W J
R6512	NRSA6AJ-392W	MG RESISTOR	3.9kΩ	1/16W J	R8061	NRSA6AJ-0R0W	MG RESISTOR	0Ω	1/16W J
R6513	NRSA6AJ-272W	MG RESISTOR	2.7kΩ	1/16W J	R8062	NRSA6AJ-104W	MG RESISTOR	100kΩ	1/16W J
R6514	NRSA6AJ-682W	MG RESISTOR	6.8kΩ	1/16W J	R8801	NRSA6AJ-101W	MG RESISTOR	100Ω	1/16W J
R6515	NRSA6AJ-102W	MG RESISTOR	1kΩ	1/16W J	R8802	NRSA6AJ-103W	MG RESISTOR	10kΩ	1/16W J
R6519	NRSA6AJ-154W	MG RESISTOR	150kΩ	1/16W J	R8803	NRSA6AJ-103W	MG RESISTOR	10kΩ	1/16W J
R6702	NRV142F-R20X	CMF RESISTOR	0.2Ω	1/4W F	R8804	NRSA6AJ-394W	MG RESISTOR	390kΩ	1/16W J
R6704	NRSA6AJ-105W	MG RESISTOR	1MΩ	1/16W J	R8805	NRSA6AJ-102W	MG RESISTOR	1kΩ	1/16W J
R6705	NRSA6AJ-105W	MG RESISTOR	1MΩ	1/16W J	R8806	NRSA6AD-560W	MG RESISTOR	56Ω	1/16W D
R6708	NRSA6AJ-153W	MG RESISTOR	15kΩ	1/16W J	R8807	NRSA6AD-560W	MG RESISTOR	56Ω	1/16W D
R6709	NRSA6AJ-114W	MG RESISTOR	110kΩ	1/16W J	R8808	NRSA6AD-560W	MG RESISTOR	56Ω	1/16W D
R6710	NRSA6AJ-124W	MG RESISTOR	120kΩ	1/16W J	R8809	NRSA6AD-560W	MG RESISTOR	56Ω	1/16W D
R6712	NRSA6AJ-561W	MG RESISTOR	560Ω	1/16W J	R8810	NRSA6AD-512W	MG RESISTOR	5.1kΩ	1/16W D
R6713	NRSA6AJ-104W	MG RESISTOR	100kΩ	1/16W J	R8811	NRSA6AD-751W	MG RESISTOR	750Ω	1/16W D
R6714	NRSA6AJ-471W	MG RESISTOR	470Ω	1/16W J	R8812	NRSA6AD-562W	MG RESISTOR	5.6kΩ	1/16W D
R6715	NRSA6AD-472W	MG RESISTOR	4.7kΩ	1/16W D	R8821	NRSA6AJ-104W	MG RESISTOR	100kΩ	1/16W J
R6716	NRSA6AJ-822W	MG RESISTOR	8.2kΩ	1/16W J	RA1001	NRZ0034-473W	NET RESISTOR	47kΩ	1/32W J x4
R6717	NRSA6AD-183W	MG RESISTOR	18kΩ	1/16W D	RA1002	NRZ0034-104W	NET RESISTOR	100kΩ	1/32W J x4
R6721	NRSA6AJ-0R0W	MG RESISTOR	0Ω	1/16W J	RA1003	NRZ0034-104W	NET RESISTOR	100kΩ	1/32W J x4
R6802	NRSA6AJ-472W	MG RESISTOR	4.7kΩ	1/16W J	RA1004	NRZ0034-104W	NET RESISTOR	100kΩ	1/32W J x4
R6803	NRSA6AJ-102W	MG RESISTOR	1kΩ	1/16W J	RA1005	NRZ0034-104W	NET RESISTOR	100kΩ	1/32W J x4
R7701	NRSA6AD-393W	MG RESISTOR	39kΩ	1/16W D	RA1006	NRZ0034-102W	NET RESISTOR	1kΩ	1/32W J x4
R7702	NRSA6AD-682W	MG RESISTOR	6.8kΩ	1/16W D	RA1007	NRZ0034-102W	NET RESISTOR	1kΩ	1/32W J x4
R7703	NRSA6AD-123W	MG RESISTOR	12kΩ	1/16W D	RA3001	NRZ0034-221W	NET RESISTOR	220Ω	1/32W J x4
R7704	NRSA6AD-123W	MG RESISTOR	12kΩ	1/16W D	RA3002	NRZ0034-221W	NET RESISTOR	220Ω	1/32W J x4
R7705	NRSA6AD-123W	MG RESISTOR	12kΩ	1/16W D	RA3003	NRZ0034-221W	NET RESISTOR	220Ω	1/32W J x4
R7706	NRSA6AD-392W	MG RESISTOR	3.9kΩ	1/16W D	RA3004	NRZ0034-221W	NET RESISTOR	220Ω	1/32W J x4
R7707	NRSA6AD-392W	MG RESISTOR	3.9kΩ	1/16W D	RA3005	NRZ0034-470W	NET RESISTOR	47Ω	1/32W J x4
R7708	NRSA6AD-392W	MG RESISTOR	3.9kΩ	1/16W D	RA3006	NRZ0034-470W	NET RESISTOR	47Ω	1/32W J x4

MODEL	MARK	MODEL	MARK	MODEL	MARK	MODEL	MARK
GR-D360EX	A	GR-D366EK	D	GR-D370EX	G	GR-D390EK	K
GR-D360EY	B	GR-D368EF	E	GR-D370EY	H		
GR-D360EZ	C	GR-D370EK	F	GR-D370EZ	J		

△ Symbol No.	Part No.	Part Name	Description	Local	△ Symbol No.	Part No.	Part Name	Description	Local
RA4201	NRZ0034-101W	NET RESISTOR	100Ω 1/32W J x4		TL102	NNZ0084-002X	EARTH TERMINAL		
RA4202	NRZ0034-101W	NET RESISTOR	100Ω 1/32W J x4		TL103	NNZ0084-002X	EARTH TERMINAL		
RA8001	NRZ0034-101W	NET RESISTOR	100Ω 1/32W J x4		X1001	NAX0645-001X	CRYSTAL	20.000MHz	
RA8002	NRZ0034-101W	NET RESISTOR	100Ω 1/32W J x4		X1002	NAX0564-001X	CRYSTAL	32.768kHz	
RA8003	NRZ0034-101W	NET RESISTOR	100Ω 1/32W J x4		X4201	NAX0804-001X	CRYSTAL		
RA8004	NRZ0034-101W	NET RESISTOR	100Ω 1/32W J x4		HD1	LY35153-001D	HOLDER (LED)	LED HOLDER	
RA8005	NRZ0034-103W	NET RESISTOR	10kΩ 1/32W J x4		OT1	LY30035-013A	SPACER(A)		
L1001	NQLC32M-100X	COIL	10uH M		<b>CCD BOARD ASSEMBLY &lt;02&gt;</b>				
L1002	NQLC32M-100X	COIL	10uH M		△ Symbol No.	Part No.	Part Name	Description	Local
L1601	NQLC32M-100X	COIL	10uH M		PW1	LYA20025-02B	CCD BOARD ASSY		
L1602	NQLC32M-100X	COIL	10uH M		Q5001	2SC3931/CD/-X	TRANSISTOR		
L2401	NQLC32M-100X	COIL	10uH M		Q5001	or 2SC4265JC07-X	TRANSISTOR		
L2402	NQLC32M-100X	COIL	10uH M		Q5002	2SC4081/QR/-X	TRANSISTOR	S5 ONLY	
L2403	NQLC32M-100X	COIL	10uH M		C5001	NCB11CK-475X	C CAPACITOR	4.7uF 16V K	
L2601	NQR0602-001X	FERRITE BEADS			C5002	NCB31CK-104X	C CAPACITOR	0.1uF 16V K	
L2602	NQR0602-001X	FERRITE BEADS			C5004	NCB31CK-104X	C CAPACITOR	0.1uF 16V K	
L2603	NQR0602-001X	FERRITE BEADS			C5005	NCB31CK-104X	C CAPACITOR	0.1uF 16V K	
L3001	NQLC32M-100X	COIL	10uH M		C5006	NCB31CK-104X	C CAPACITOR	0.1uF 16V K	
L3002	NQLC32M-100X	COIL	10uH M		C5007	NCB31EK-222X	C CAPACITOR	2200pF 25V K	
L3004	NQLC32M-100X	COIL	10uH M		R5001	NRSA63J-472X	MG RESISTOR	4.7kΩ 1/16W J	
L3005	NQLC32M-100X	COIL	10uH M		R5002	NRSA63J-472X	MG RESISTOR	4.7kΩ 1/16W J	
L3007	NQLC32M-100X	COIL	10uH M		L5001	NQL315K-100X	COIL	10uH K	
L3009	NQLC32M-100X	COIL	10uH M		L5002	NQL315K-100X	COIL	10uH K	
L3011	NQR0602-001X	FERRITE BEADS			<b>REAR BOARD ASSEMBLY &lt;03&gt;</b>				
L3014	NQLD8DJ-2R2X	COIL	2.2uH J	FGH,J,K	△ Symbol No.	Part No.	Part Name	Description	Local
L3015	NQLD8DJ-120X	COIL	12uH J		PW1	LYA20024-06C	REAR BOARD ASSY		
L3501	NQR0602-001X	FERRITE BEADS			D501	EMZ6.8N-X	Z DIODE	EMZ6.8N-X	
L3502	NQLC32M-100X	COIL	10uH M		D504	EMZ6.8N-X	Z DIODE	EMZ6.8N-X	
L3503	NQR0602-001X	FERRITE BEADS			C503	NCB31CK-103X	C CAPACITOR	0.01uF 16V K	
L3701	NQLC32M-100X	COIL	10uH M		C504	NCB31CK-103X	C CAPACITOR	0.01uF 16V K	
L4201	NQL38DK-100X	P COIL	10uH K		C505	NCB31CK-103X	C CAPACITOR	0.01uF 16V K	
L4202	NQL315K-220X	COIL	22uH K		C506	NBE20JM-106X	TA E CAPACITOR	10uF 6.3V M	
L4203	NQL315K-220X	COIL	22uH K		C508	NCB31CK-105X	C CAPACITOR	1uF 16V K	
L4204	NQL315K-220X	COIL	22uH K		C510	NDC21HG-151X	C CAPACITOR	150pF 50V G	
L4205	NQR0129-001X	FERRITE BEADS			C513	NCB31CK-104X	C CAPACITOR	0.1uF 16V K	
L4901	NQR0129-002X	FERRITE BEADS			R501	NRSA63J-101X	MG RESISTOR	100W 1/16W J	
L4902	NQL38DK-100X	P COIL	10uH K		R502	NRSA63J-101X	MG RESISTOR	100W 1/16W J	
L4903	NQL38DK-100X	P COIL	10uH K		R503	NRSA63J-103X	MG RESISTOR	10kW 1/16W J	
L4904	NQL38DK-100X	P COIL	10uH K		R504	NRSA63J-103X	MG RESISTOR	10kW 1/16W J	
L6101	NQL87EN-390X	COIL	39uH N		R505	NRSA63J-103X	MG RESISTOR	10kW 1/16W J	
L6201	NQL87EN-390X	COIL	39uH N		R506	NRSA63J-103X	MG RESISTOR	10kW 1/16W J	
L6301	NQL62EM-470X	COIL	47uH M		R507	NRSA63J-103X	MG RESISTOR	10kW 1/16W J	
L6401	NQL62EM-470X	COIL	47uH M		R508	NRSA63J-103X	MG RESISTOR	10kW 1/16W J	
△ L6501	NQL52EM-221X	COIL	220uH M		R509	NRSA63J-221X	MG RESISTOR	220W 1/16W J	
L6502	NQL38DK-100X	P COIL	10uH K		R510	NRSA63J-0R0X	MG RESISTOR	0W 1/16W J	
L6701	NQL52EM-390X	COIL	39uH M		R511	NRSA63J-0R0X	MG RESISTOR	0W 1/16W J	
L6801	NQL79GM-470X	COIL	47uH M		R512	NRSA63J-0R0X	MG RESISTOR	0W 1/16W J	
L7701	NQLC32M-100X	COIL	10uH M		R513	NRSA63J-0R0X	MG RESISTOR	0W 1/16W J	
L7802	NQR0602-001X	FERRITE BEADS			R514	NRSA63J-0R0X	MG RESISTOR	0W 1/16W J	
L8001	NQR0602-001X	FERRITE BEADS			L501	NQR0251-004X	FERRITE BEADS		
L8002	NQR0602-001X	FERRITE BEADS			L502	NQR0251-004X	FERRITE BEADS		
L8003	NQR0602-001X	FERRITE BEADS			L503	NQR0006-001X	FERRITE BEADS		
L8005	NQR0602-001X	FERRITE BEADS			L504	NRSA63J-0R0X	MG RESISTOR	0W 1/16W J	
L8006	NQR0602-001X	FERRITE BEADS			L505	NRSA63J-0R0X	MG RESISTOR	0W 1/16W J	
L8008	NQLC32M-100X	COIL	10uH M		L506	NRSA63J-0R0X	MG RESISTOR	0W 1/16W J	
L8010	NQR0506-002X	EMI FILTER			△ BT501	QAB0025-001	LITHIUM BATTERY	CR2032/1F4 3V 220mAh	
L8801	NQR0602-001X	FERRITE BEADS			BT502	LY35060-001B	BATT.TERM.UNIT		
L8802	NQR0602-001X	FERRITE BEADS			CN501	QGF0508F3-40X	CONNECTOR	TO MAIN(S5 FFC/FPC (1-40)	
CN101	QGF0508F3-40X	CONNECTOR	REAR FFC/FPC (1-40)						
CN102	QGB0519J1-20X	CONNECTOR	JIG CN B-B (1-20)						
CN103	QGF0549C2-30W	CONNECTOR	OPE FFC/FPC (1-30)						
CN1601	QGF0543F3-08X	CONNECTOR	LM/ENC FFC/FPC (1-8)						
CN1602	QGF0543F3-11X	CONNECTOR	DRUM FFC/FPC (1-11)						
CN1603	QGF0543F3-18X	CONNECTOR	CAPSTAN FFC/FPC (1-18)						
CN1604	QGF0543F3-16X	CONNECTOR	SENSOR FFC/FPC (1-16)						
CN2601	QGA1001F1-04X	CONNECTOR	MIC W-B (1-4)						
CN3501	QGF0543F3-08X	CONNECTOR	HEAD FFC/FPC (1-8)						
CN4201	QGF0549C2-20W	CONNECTOR	CCD FFC/FPC (1-20)						
CN4901	QGF0549C2-26W	CONNECTOR	OP FFC/FPC (1-26)						
CN7801	QGF0549C2-24W	CONNECTOR	VF FFC/FPC (1-24)						
△ F1601	NMFZ007-R20X-K	FUSE	1608 UNREG 0.2A 50V						
△ F1602	NMFZ007-R50X-K	FUSE	1608 REG3V 0.5A 50V						
△ F6001	NMFZ007-2R5X-K	FUSE	2.5A 24V						
J101	QNA0040-001	DC JACK	DCJACK						
J102	QNZ0822-001	D CONNECTOR	DVJACK						
J103	QNZ0617-001	USB CONNECTOR	USB						

MODEL	MARK	MODEL	MARK	MODEL	MARK	MODEL	MARK
GR-D360EX	A	GR-D366EK	D	GR-D370EX	G	GR-D390EK	K
GR-D360EY	B	GR-D368EF	E	GR-D370EY	H		
GR-D360EZ	C	GR-D370EK	F	GR-D370EZ	J		

△ Symbol No.	Part No.	Part Name	Description	Local	△ Symbol No.	Part No.	Part Name	Description	Local
CN502	QGF0534F3-07X	CONNECTOR	TO POWER FFC/FPC (1-7)		C7602	NCB31CK-224X	C CAPACITOR	0.22uF 16V K	
CN503	NNZ0151-001X	SD CARD CONNE	NNZ151(SD)		C7603	NCB31EK-153X	C CAPACITOR	0.015uF 25V K	
J501	QNS0264-001	3.5 JACK	AVJACK		C7606	NCB21CK-105X	C CAPACITOR	1uF 16V K	
J502	QND0068-001	S JACK	S JACK		C7607	NCB11EK-105X	C CAPACITOR	1uF 25V K	
S501	NSW0162-001X	DETECT SWITCH	EJECT		C7608	NCB11EK-105X	C CAPACITOR	1uF 25V K	
OT1	LY30034-038A	SPACER(A)	SD CN		C7609	NCB21CK-105X	C CAPACITOR	1uF 16V K	
WR1	QUQK05-40X4BA-E	FFC WIRE	REAR FFC 40pin 4.5cm		C7610	NCB11EK-105X	C CAPACITOR	1uF 25V K	

### OPE BOARD ASSEMBLY <04>

△ Symbol No.	Part No.	Part Name	Description	Local
PW1	LYA20026-02C	OPE BOARD ASSY		
R401	NRSA63J-332X	MG RESISTOR	3.3kΩ 1/16W J	
R402	NRSA63J-682X	MG RESISTOR	6.8kΩ 1/16W J	
R403	NRSA63J-223X	MG RESISTOR	22kΩ 1/16W J	
R404	NRSA63J-332X	MG RESISTOR	3.3kΩ 1/16W J	
R405	NRSA63J-682X	MG RESISTOR	6.8kΩ 1/16W J	
R406	NRSA63J-223X	MG RESISTOR	22kΩ 1/16W J	
CN401	QGF0543F3-30X	CONNECTOR	TO MAIN FFC/FPC (1-30)	
CN402	QGF0528F4-18X	CONNECTOR	TO MONITOR FFC/FPC (1-18)	
CN403	QGF0534F3-08X	CONNECTOR	TO ZOOM FFC/FPC (1-8)	
CN404	QGA1001F1-02X	CONNECTOR	TO SPK W-B (1-2)	
S401	NSW0225-001X	DETECT SWITCH	MONI SW	
S402	NSW0198-001X	TACT SWITCH	SET_SW	
S403	NSW0099-001X	SLIDE SWITCH	NSW99X(SD)	
S404	NSW0198-001X	TACT SWITCH	MENU	
S405	NSW0198-001X	TACT SWITCH	WIDE	
S406	NSW0198-001X	TACT SWITCH	LED LIGHT	
S407	NSW0198-001X	TACT SWITCH	STOP	
S408	NSW0198-001X	TACT SWITCH	REW	
S409	NSW0198-001X	TACT SWITCH	FF	
S410	NSW0198-001X	TACT SWITCH	PLAY	
OT1	LY30035-008A	SPACER(A)		
OT2	LY41818-001A	SPACER	(x2)	
WR1	QUQK05-3005AA-E	FFC WIRE	OPE FFC 30pin 5cm	

C7611	NCB21CK-105X	C CAPACITOR	1uF 16V K	
C7612	NCB21CK-105X	C CAPACITOR	1uF 16V K	
C7613	NCB21CK-105X	C CAPACITOR	1uF 16V K	
C7614	NCB21CK-105X	C CAPACITOR	1uF 16V K	
C7615	NCB21CK-105X	C CAPACITOR	1uF 16V K	
C7622	NCB21CK-105X	C CAPACITOR	1uF 16V K	
C7623	NCB21CK-105X	C CAPACITOR	1uF 16V K	
C7624	NCB21CK-105X	C CAPACITOR	1uF 16V K	
C7625	NCB31CK-104X	C CAPACITOR	0.1uF 16V K	
R7601	NRSA63J-104X	MG RESISTOR	100kΩ 1/16W J	
R7602	NRSA63J-0R0X	MG RESISTOR	0Ω 1/16W J	
R7604	NRSA63D-223X	MG RESISTOR	22kΩ 1/16W D	
R7605	NRSA63J-0R0X	MG RESISTOR	0Ω 1/16W J	
R7606	NRSA63J-106X	MG RESISTOR	10MΩ 1/16W J	
R7609	NRSA63J-0R0X	MG RESISTOR	0Ω 1/16W J	
R7610	NRSA63D-912X	MG RESISTOR	9.1kΩ 1/16W D	
R7611	NRSA63D-912X	MG RESISTOR	9.1kΩ 1/16W D	
R7612	NRSA63D-912X	MG RESISTOR	9.1kΩ 1/16W D	
R7613	NRSA63D-103X	MG RESISTOR	10kΩ 1/16W D	
R7614	NRSA63D-103X	MG RESISTOR	10kΩ 1/16W D	
R7615	NRSA63D-103X	MG RESISTOR	10kΩ 1/16W D	
R7616	NRSA63J-332X	MG RESISTOR	3.3kΩ 1/16W J	
R7617	NRSA63J-682X	MG RESISTOR	6.8kΩ 1/16W J	
R7618	NRSA63J-470X	MG RESISTOR	47Ω 1/16W J	
R7619	NRSA63J-470X	MG RESISTOR	47Ω 1/16W J	
R7620	NRSA63J-470X	MG RESISTOR	47Ω 1/16W J	
L7602	NRSA02J-0R0X	MG RESISTOR	0Ω 1/10W J	
L7603	NRSA02J-0R0X	MG RESISTOR	0Ω 1/10W J	
L7604	NRSA02J-0R0X	MG RESISTOR	0Ω 1/10W J	
CN7601	QGF0312F1-21W	CONNECTOR	TO OPE FFC/FPC (1-21)	
CN7602	QGF0528F4-40X	CONNECTOR	FFC/FPC (1-40)	
WR1	QAL0785-001	FPC		

### MONITOR BOARD ASSEMBLY <05>

△ Symbol No.	Part No.	Part Name	Description	Local
PW1	LYA20023-02A	MONITOR BOARD ASSY		
IC7601	DN8797MS-X	IC		
Q7601	PUMX1-W	PAIR TRANSISTOR		
Q7601	or BC847S-X	PAIR TRANSISTOR		
Q7601	or KTC801U/G/-X	PAIR TRANSISTOR		
Q7601	or RT3CLLM/EF/-X	PAIR TRANSISTOR		
Q7601	or UMX1N-W	PAIR TRANSISTOR		
Q7602	PUMX1-W	PAIR TRANSISTOR		
Q7602	or BC847S-X	PAIR TRANSISTOR		
Q7602	or KTC801U/G/-X	PAIR TRANSISTOR		
Q7602	or RT3CLLM/EF/-X	PAIR TRANSISTOR		
Q7602	or UMX1N-W	PAIR TRANSISTOR		
D7601	RB521S-30-X	SB DIODE		
D7601	or KDR720E-X	SB DIODE		
D7602	RB521S-30-X	SB DIODE		
D7602	or KDR720E-X	SB DIODE		
D7603	RB521S-30-X	SB DIODE		
D7603	or KDR720E-X	SB DIODE		
D7604	RB521S-30-X	SB DIODE		
D7604	or KDR720E-X	SB DIODE		
D7605	NSSW008C/T052-X	LED	LED	
D7605	or HEW1142LS/93/-X	LED	LED	
D7606	NSSW008C/T052-X	LED	LED	
D7606	or HEW1142LS/93/-X	LED	LED	
D7607	NSSW008C/T052-X	LED	LED	
D7607	or HEW1142LS/93/-X	LED	LED	
C7601	NCB31CK-104X	C CAPACITOR	0.1uF 16V K	

### VF BOARD ASSEMBLY <06>

△ Symbol No.	Part No.	Part Name	Description	Local
PW1	LYA20027-01B	VF BOARD ASSY		
Q7001	PUMX1-W	PAIR TRANSISTOR		
Q7001	or BC847S-X	PAIR TRANSISTOR		
Q7001	or KTC801U/G/-X	PAIR TRANSISTOR		
Q7001	or RT3CLLM/EF/-X	PAIR TRANSISTOR		
Q7001	or UMX1N-W	PAIR TRANSISTOR		
D7001	E1S35AW0C501-X	LED		
D7002	UDZS5.1B-X	Z DIODE		
C7001	NCB21CK-105X	C CAPACITOR	1uF 16V K	
C7002	NCB21CK-474X	C CAPACITOR	0.47uF 16V K	
R7001	NRSA63J-332X	MG RESISTOR	3.3kΩ 1/16W J	
R7002	NRSA63J-561X	MG RESISTOR	560Ω 1/16W J	
R7003	NRSA63J-470X	MG RESISTOR	47Ω 1/16W J	
CN7001	QGF0543F3-23X	CONNECTOR	TO MAIN FFC/FPC (1-23)	
CN7002	QGF0543F3-22X	CONNECTOR	TO VF LCD FFC/FPC (1-22)	
S7001	NSW0271-001X	DETECT SWITCH	VF SW	