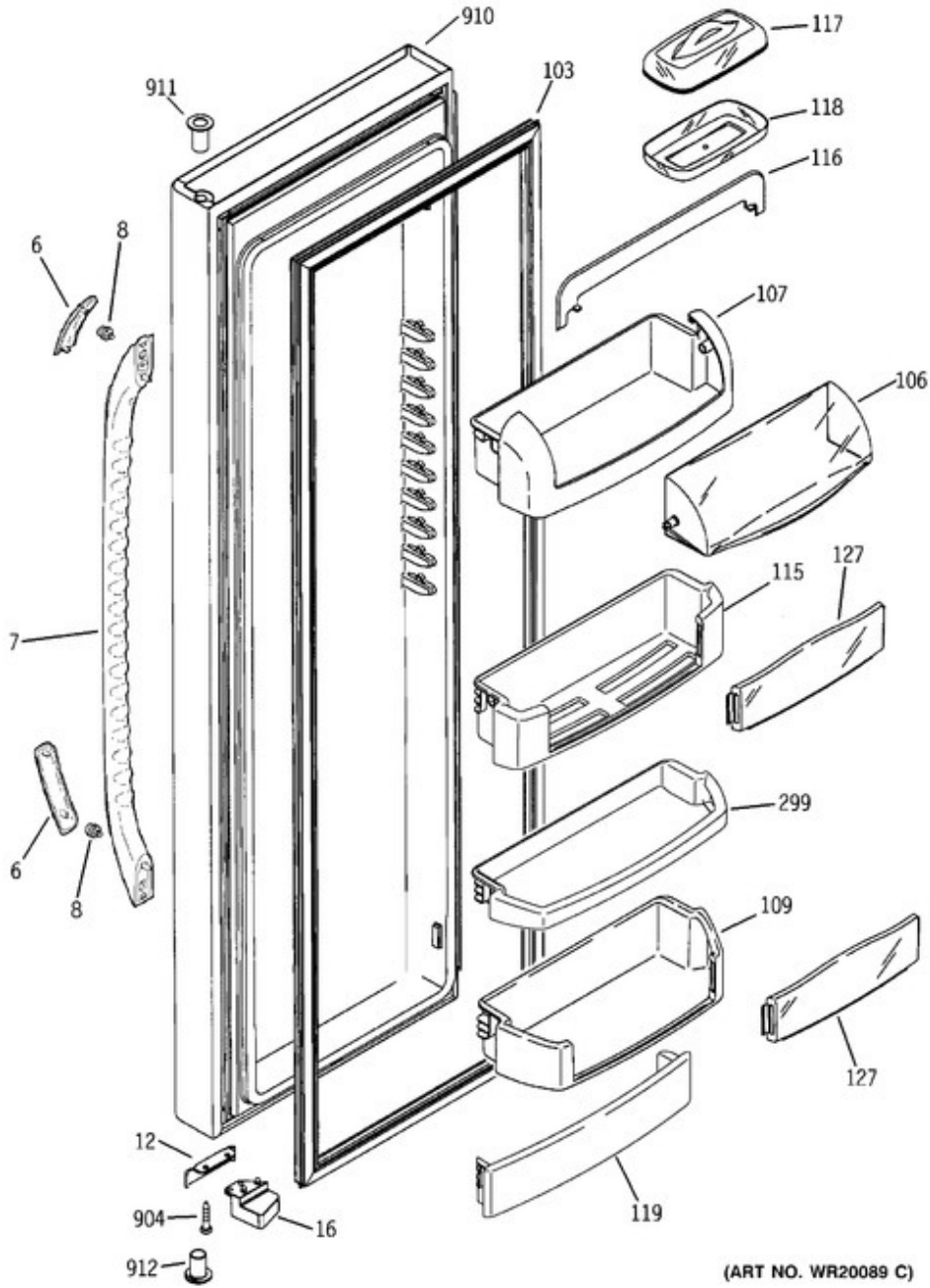
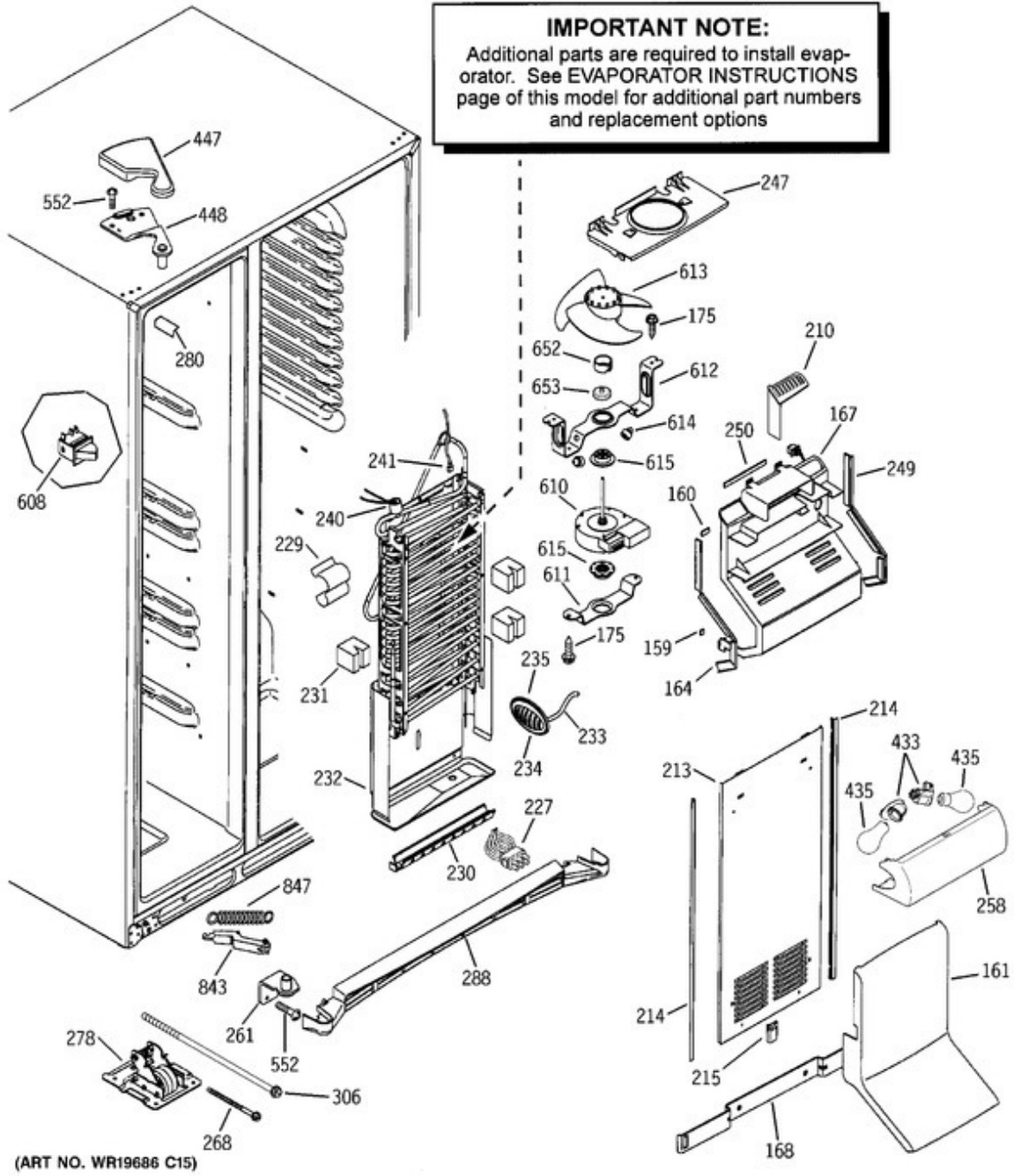


(ART NO. WR20088 C4)

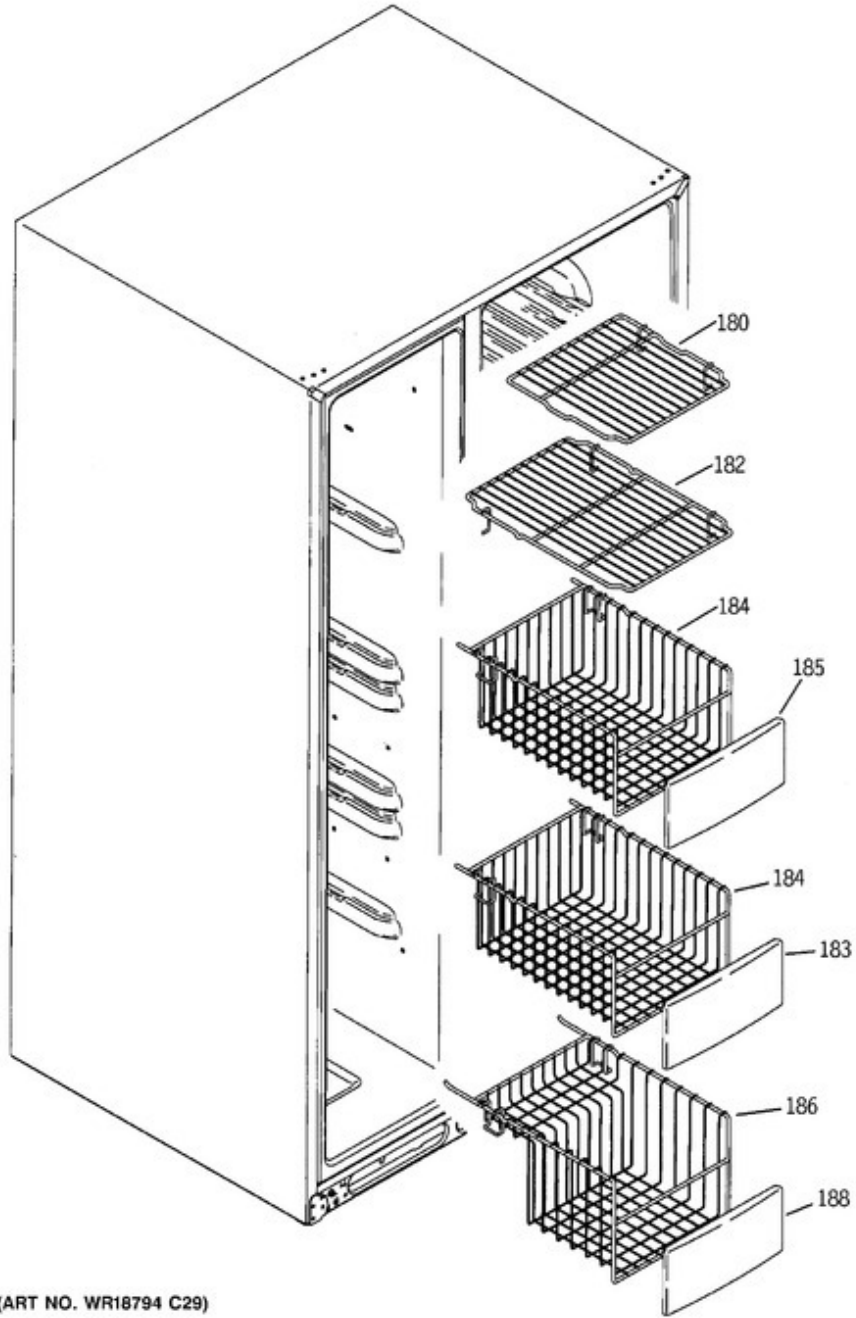


(ART NO. WR20089 C)

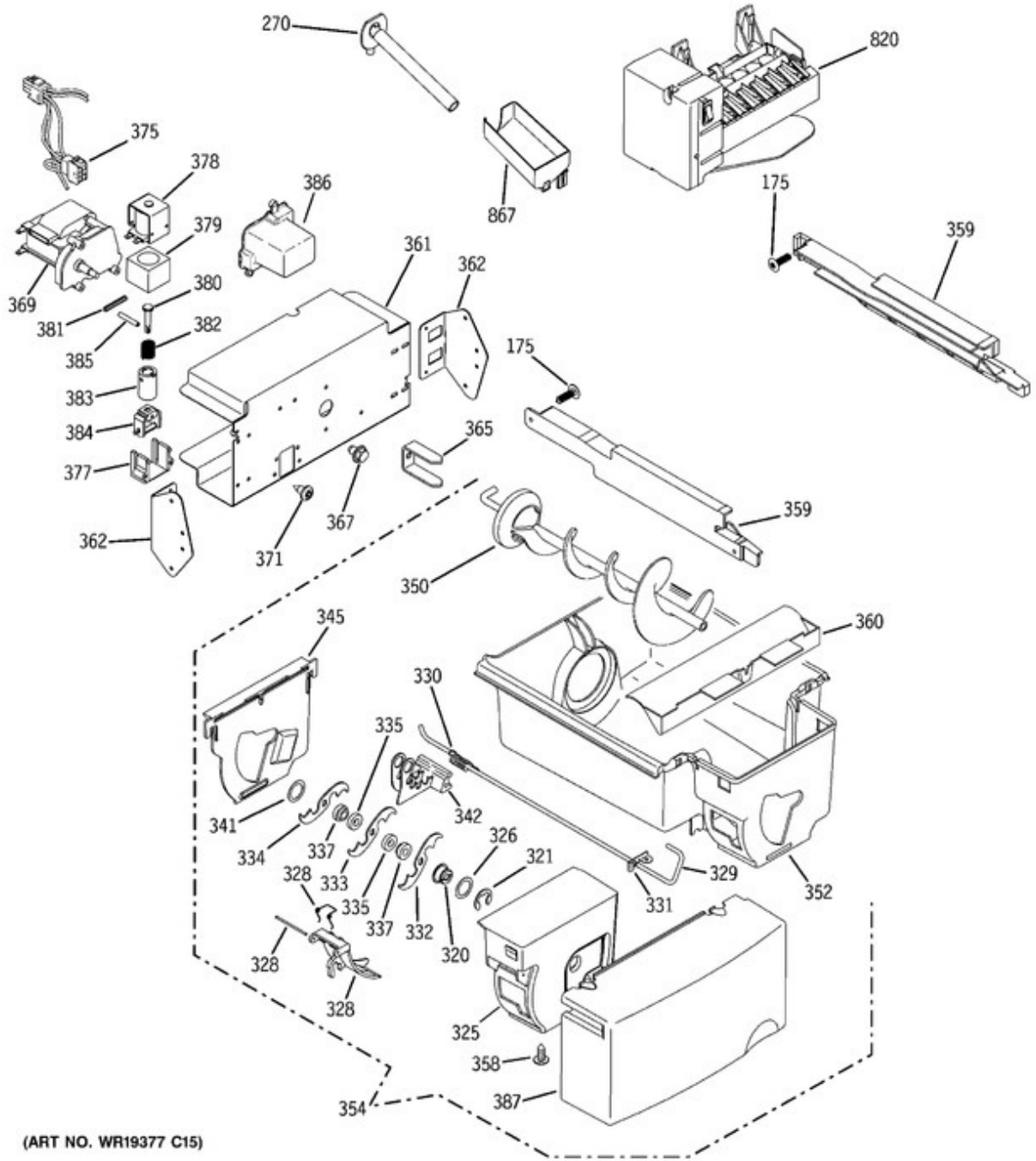
**IMPORTANT NOTE:**  
Additional parts are required to install evaporator. See EVAPORATOR INSTRUCTIONS page of this model for additional part numbers and replacement options



(ART NO. WR19686 C15)



(ART NO. WR18794 C29)



(ART NO. WR19377 C15)

