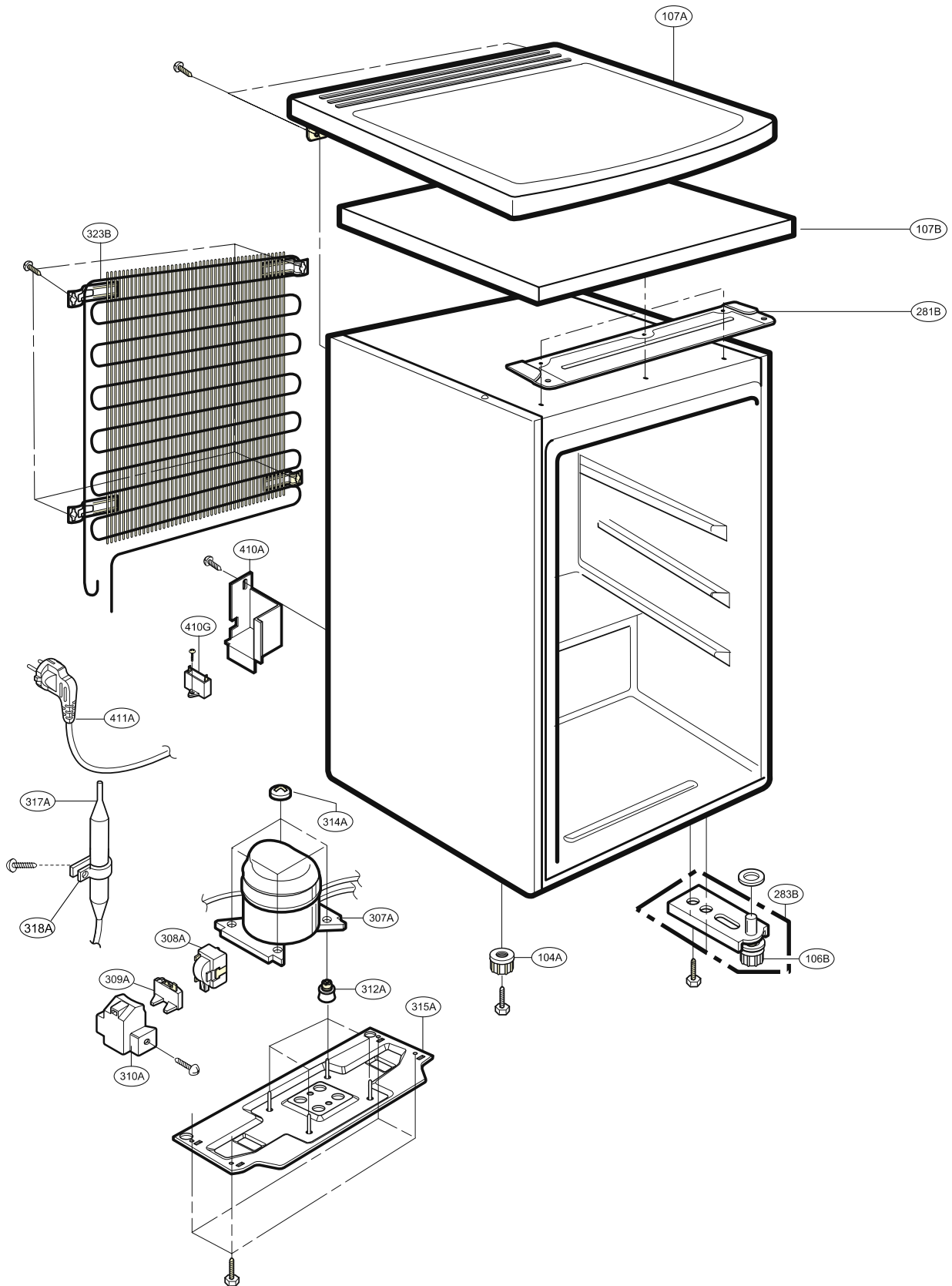


# 5. EXPLODED VIEW

NOTE: 1. The shape of parts are subject to change in different localities.



NOTE: 1. The shape of parts are subject to change in different localities.

\* : Optional parts

