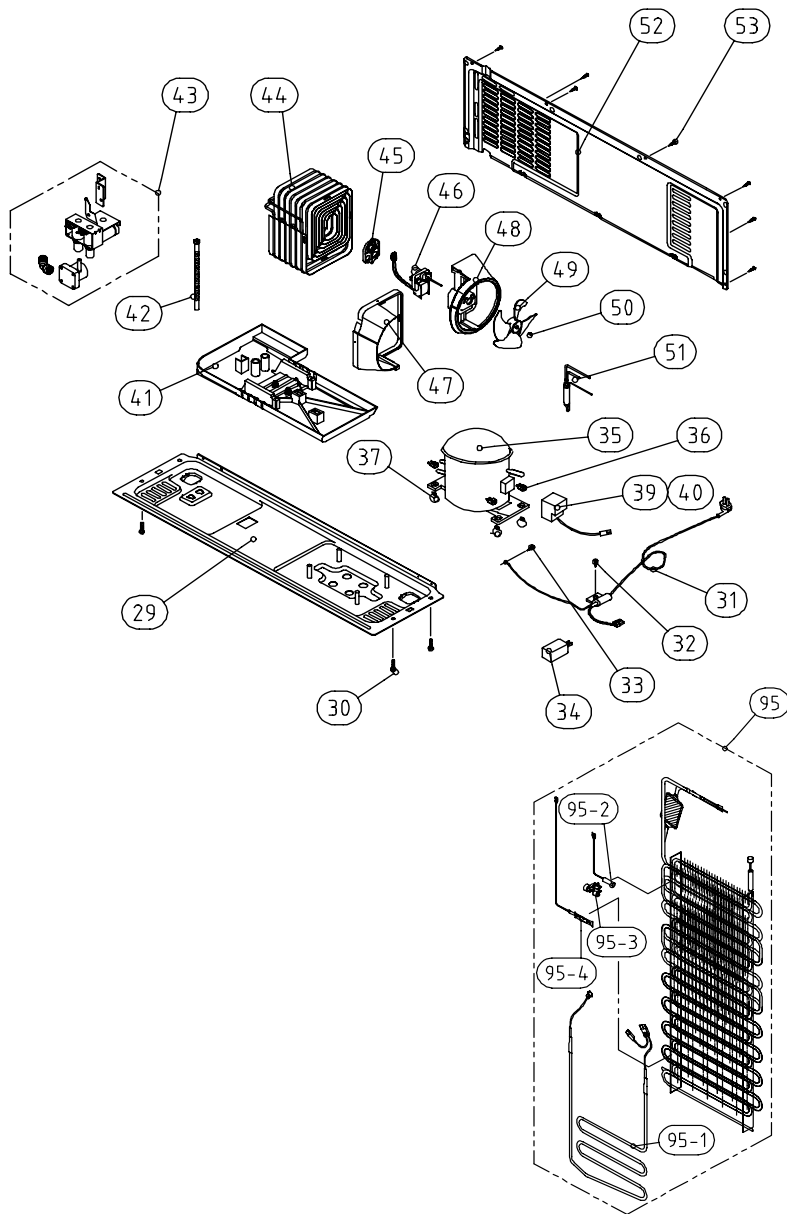


NO	PART-CODE	PART NAME	SPEC.	Q'ty			
				20IC	20BC	20DC	20FC
1		ASSY CAB URT		1	1	1	1
2	3012924400	HINGE *T *R AS	PO T3.0+PAINT	1	1	1	1
3	3012924300	HINGE *T *L AS	PO T3.0+PAINT	1	1	1	1
4	3016042300	SPECIAL *T HI BOLT	6X13 SWCH18A	2	2	2	2
5	7051401065	SCREW MACHINE	PAN 4X10 SW BSNI	1	1	1	1
6	3011446200	COVER *T HI *R	PP	1	1	1	1
7	3011446100	COVER *T HI *L	PP	1	1	1	1
8	7112401211	SCREW TAPPING	T1 TRS 4X12 MFZN	2	2	2	2
9	3010968400	CAP CAB COVER	PP	2	2	2	2
10	7112401211	SCREW TAPPING	T1 TRS 4X12 MFZN	2	2	2	2
11	30143D6061	PCB MAIN AS	FRU-571I (R-134a)	1	X	X	X
	30143E1020		FRU-579B (R-134a)	X	1	X	X
	30143D5072		FRU-541F (R-134a)	X	X	1	1
	30143D5062		FRU-541F (R-600a)	X	X		
12	3011446000	COVER MAIN PCB BOX	PP(V-235)	1	1	1	1
13	7112401211	SCREW TAPPING	T1 TRS 4X12 MFZN	4	4	4	4
14	3013224800	HOSE ICE MAKER TUBE AS	FRU-541D	X	X	1	1
15	3012530200	GUIDE CAB W/TUBE A AS	FRU-541D			1	1
16	3011444100	COVER GUIDE CAB W/T A	HIPS			1	1
17	3011202000	CLAMP WATER TUBE A	PA-66, 5N			2	2
18	3019974800	S/PAER FILTER WATER AS	FR-S660CW			1	1
19	3012924000	HINGE *U *R AS	P/O T5.0 + PAINT	1	1	1	1
20	3012923900	HINGE *U *L AS	P/O T5.0 + PAINT	1	1	1	1
21	3016001240	SPECIAL BOLT *T	6X22 SWCH22A(YL)	6	6	6	6
22	3010657200	BRACKET ADJ FOOT	SPCC T3.0	2	2	2	2
23	3012105100	FOOT ADJ AS	PP	2	2	2	2
24	3016001240	SPECIAL BOLT *T	6X22 SWCH22A(YL)	2	2	2	2
25	3013064200	HOLDER TUBE A	ACETAL	1	1	1	1
27	3011447200	COVER CAB BRKT	PP	1	1	1	1
28	7142401511	SCREW TAPPING	T2 TRS 4X16 MFZN	3	3	3	3

- Some parts can be chaged for improving their performance without notice.
- Above parts number doesn't describe your own colour & printing. Please remind!

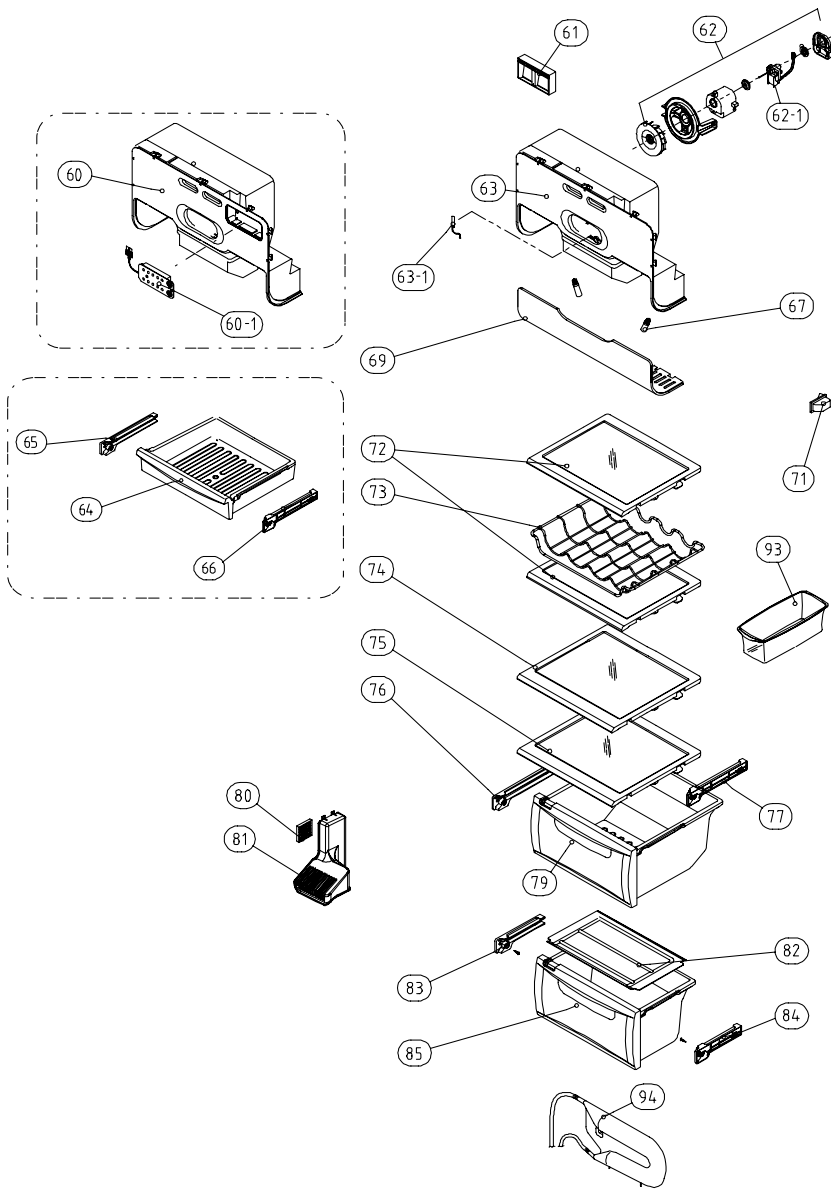
Date	A mendment Note



NO	PART-CODE	PART NAME	SPEC.	Q'ty			
				20IC	20BC	20DC	20FC
29	3010340400	BASE COMP AS	FRU-571I	1	1	1	1
30	3016003300	SPEICAL BOLT	T2 M6.5X20	4	4	4	4
31	Page 82	CORD POWER AS		1	1	1	1
32	7112401211	SCREW TAPPING	T1 TRS 4X12 MFZN	1	1	1	1
33	7051401065	SCREW MACHINE	PAN 4X10 SW BSNI	1	1	1	1
34	Page 82	CAPACITOR RUN		1	1	1	1
35	Page 82	COMPRESSOR		1	1	1	1
36	3016002500	SPECIAL WASHER	SK-5, T0.8	3	3	3	3
37	3010101600	ABSORBER COMP	NBR (R-134a)	4	4	4	4
	3010101480	ABSORBER COMP AS	FRU-541D (R-600a)				
39	Page 82	SWITCH P RELAY AS		1	1	1	1
40	Page 82	COVER RELAY		1	1	1	1
41	3011181300	CASE VAPORI AS	PP	1	1	1	1
42	3013201710	HOSE DRN B	PE FRB-5350NT	1	1	1	1
43	3015402800	VALVE WATER AS	110~127V 60Hz	x	x	1	1
	3015402300		220~240V 50,60Hz				
44	3014461510	PIPE WICON AS	TSW OD4.76XT0.7	1	1	1	1
45	3012021700	FIXTURE MOTR	PP	1	1	1	1
46	3015916100	MOTOR C FAN AS	DC-2213DWCA-3	1	1	1	1
47	3018500300	M/BELL B	PP	1	1	1	1
48	3018500200	M/BELL A	PP	1	1	1	1
49	3011834700	FAN	ABS OD3.17XD150	1	1	1	1
50	3011200500	CLAMP FAN	SUS 304	1	1	1	1
51	3016808100	DRYER AS	C1220T	1	1	1	1
52	3011497000	COVER MACH ROOM AS	SBHG T0.35	1	1	1	1
53	7112401211	SCREW TAPPING	T1 TRS 4X12 MFZN	7	7	7	7
95	3017053500	EVA AS	FRU-571I	1	1	1	1
95-1	3012818300	HEATER SHEATH AS	AC220V/ 192W	1	1	1	1
	3012818400		AC115V/ 192W				
95-2	3014806900	SENSOR D AS	PBN-43	1	1	1	1
95-3	3012023600	FIXTURE D SENS	PP	1	1	1	1
95-4	301720200	FUSE TEMP AS	AC250V 10A 77C	1	1	1	1

- Some parts can be chaged for improving their perfomance without notice.
 - Above parts number doesn't describe your own colour & printing. Please remind!

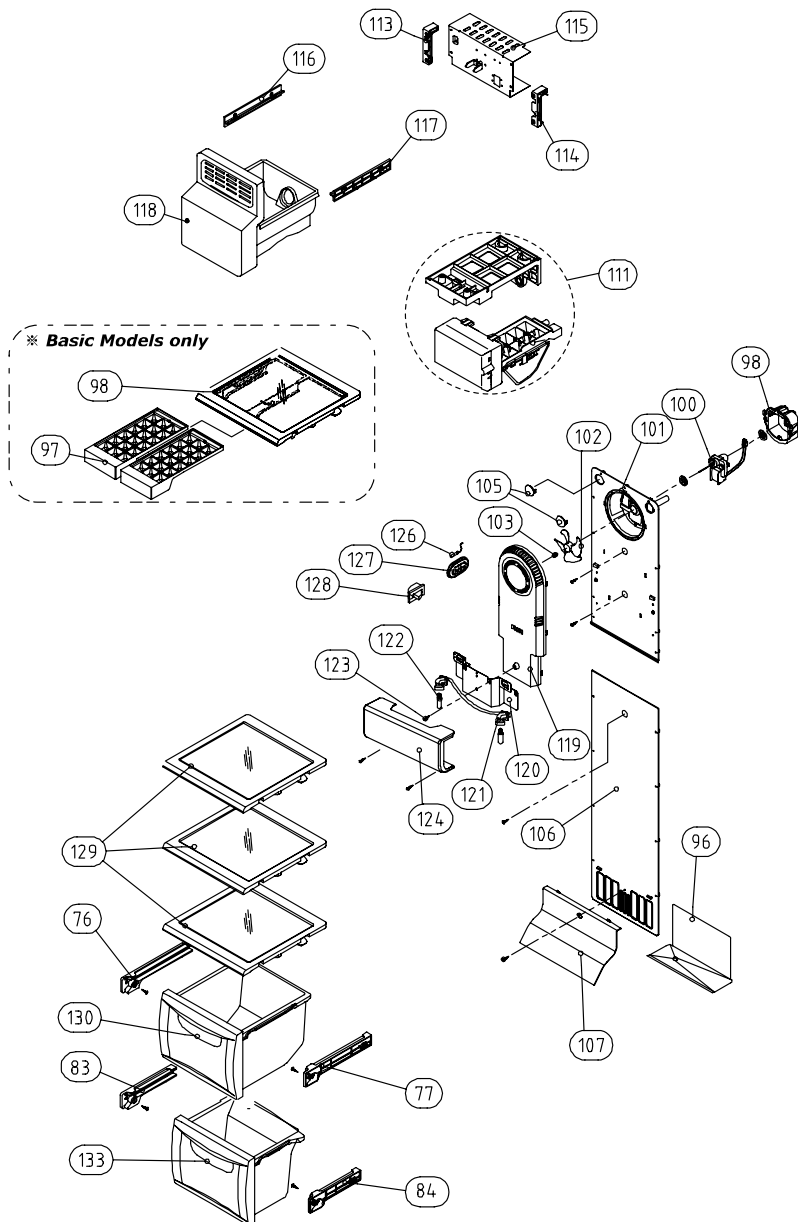
Date	A mendment Note



NO	PART-CODE	PART NAME	SPEC.	Q'ty			
				201C	20BC	20DC	20FC
60	3011492810	COVER DAMP AS	FRU-571I	1			
60-1	3014235200	PANEL CONTL *I AS		1		X	
61	3012214100	FRAME CHECK VALVE AS	FRU-571I	1	1	1	1
62	3012024200	FIXTURE MOTR AS		1	1	1	1
62-1	3015916000	MOTOR R FAN	D4612AAA20	1	1	1	1
63	3011495100	COVER DAMP AS	FRU-541D	X	1	1	1
63-1	3014807100	SENSOR R AS	PBN-43B	1	1	1	1
64	3011185740	CASE CHILD	GPFS(CRYSTAL)	1	1	1	1
65	3012514500	GUIDE CASE A *L AS	ABS	1	1	1	1
66	3012514600	GUDIE CASE A *R AS	ABS	1	1	1	1
67	3013602500	LAMP F/R	AC 240V 25W(S)	2	2	2	2
	3013602800		AC 125V 25W				
69	3015510800	WINDOW R LAMP	MIPS	1	1	1	1
71	3018124000	SWITCH DR	SP201R-7DR (R-134a)	1	1	1	1
	3018128600		SPF101B-1D (R-600a)				
72	3017842820	SHELF INMOLDING R A AS	FRAME+PRINTED GLASS	2	2	2	2
73	3017842500	SHELF WINE	GPFS	X	X		Option
74	3017843320	SHELF INMOLDING R C AS	FRAME+PRINTED GLASS	1	1	1	1
75	3017842920	SHELF INMOLDING R B AS	FRAME+PRINTED GLASS	1	1	1	1
76	3012514500	GUIDE CASE A *L AS	ABS	1	1	1	1
77	3012514600	GUDIE CASE A *R AS	ABS	1	1	1	1
79	3011114630	CASE VEGETB B AS	CASE (NANO)+FRAME	1	1	1	1
	3011114600		CASE +FRAME				
80	3018701800	DEO ANTI AS	W40XT5XL40	1	1	1	1
81	3011445900	COVER RETURN DUCT	PP	1	1	1	1
82	3011446700	COVER VEGETB CASE B	GPFS	1	1	1	1
83	3012529700	GUIDE CASE C *L AS	ABS	1	1	1	1
84	3012529800	GUIDE CASE C *R AS	ABS	1	1	1	1
85	3011114730	CASE VEGETB C AS	CASE (NANO)+FRAME	1	1	1	1
	3011114700		CASE +FRAME				
93	3011170050	CASE EGG AS	CASE+TRAY+VINYL	1	1	1	1
94	3018201000	TANK WATER AS	FRU-541D	X	X	1	1

- Some parts can be chaged for improving their performance without notice.
- Above parts number doesn't describe your own colour & printing. Please remind!

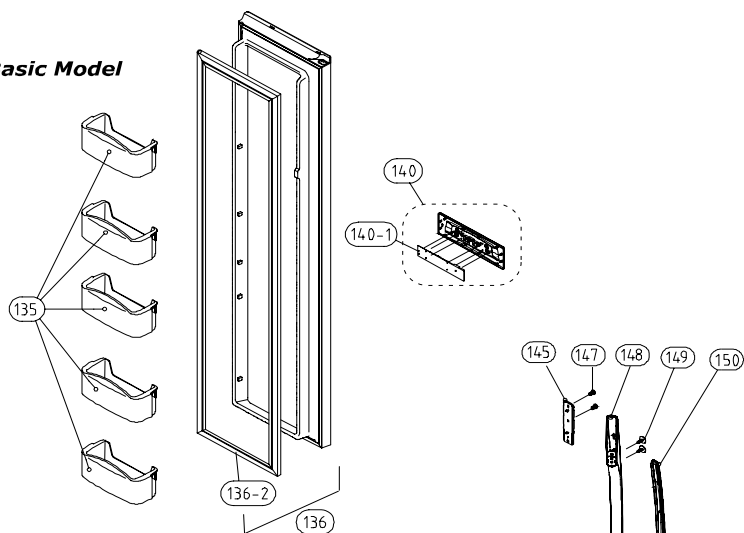
Date	A mendment Note



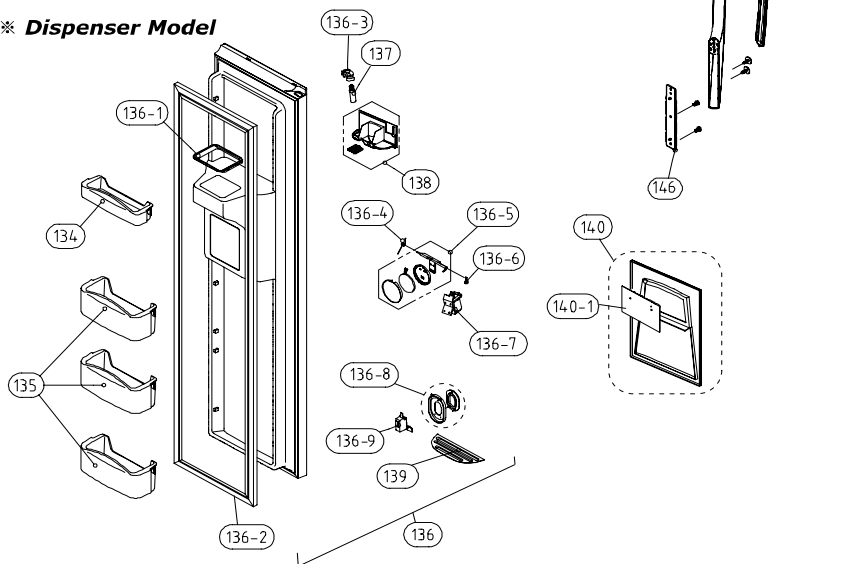
NO	PART-CODE	PART NAME	SPEC.	Q'ty			
				20IC	20BC	20DC	20FC
76	3012514500	GUIDE CASE A *L AS	ABS	1	1	1	1
77	3012514600	GUIDE CASE A *R AS	ABS	1	1	1	1
83	3012529700	GUIDE CASE C *L AS	ABS	1	1	1	1
84	3012529800	GUIDE CASE C *R AS	ABS	1	1	1	1
96	3012529000	GUIDE DRN	GA	1	1	1	1
97	3011186300	CASE ICE	PP	2	2		
98	3017842710	SHELF F ICE AS	FRAME+PRINTED GLASS+FIXTURE	1	1		x
100	3015915900	MOTOR F FAN	D4612AAA21	1	1	1	1
101	3018921300	LOUVER F A	ABS	1	1	1	1
102	3011834500	FAN	ABS OD3.17XD130	1	1	1	1
103	3011200510	CLAMP FAN	SUS 304	1	1	1	1
105	3010968600	CAP F LOUVER B	HIPS	2	2	2	2
106	3018921501	LOUVER F B AS	HIPS	1	1	1	1
107	3011443200	COVER F RETURN	HIPS	1	1	1	1
111	3012205810	FRAME ICE MAKER AS	FRU-541D (R-134a)			1	1
	3012205820		FRU-541D (R-600a)			1	1
113	3012517800	GUIDE G/MOTR BRKT *L	ABS			1	1
114	3012517900	GUIDE G/MOTR BRKT *R	ABS			1	1
115	3010658220		(MOLD/DY) 110~127V/60Hz	x	x		
	3010658150	BRACKET GEARED MOTR AS	(MOLD/DY) 220V/60Hz			1	1
	3010658110		(MOLD/DY) 220~240V/50Hz				
116	3012520510	GUIDE ICE CRUSHER *L	ABS			1	1
117	3012517710	GUIDE ICE CRUSHER *R	ABS			1	1
118	3011115202	CASE I/CRUSHER AS	FRU-541D			1	1
119	3001401701	COVER F FAN AS	FRU-571I	1	1		x
	3001401711	COVER F FAN AS	FRU-541D	x	x	1	1
120	3014531900	PLATE F LAMP	SGCC T0.8	1	1	1	1
121	3017906600	SOCKET F LAMP AS	FRU-571I	1	1	1	1
122	3013602500	LAMP F/R	AC 240V 25W(S)	2	2	2	2
	3013602800		AC 125V 25W				
124	3015510700	WINDOW F LAMP	MIPS	1	1	1	1
126	3014807000	SENSOR F AS	PT-38	1	1	1	1
127	3011442600	COVER F SENS	ABS	1	1	1	1
128	3018124010	SWITCH DR	SP201R-7DR (R-134a)	1	1	1	1
	3018128500		SPF101B-1D (R-600a)				
129	3017842600	SHELF F AS	PRINTED GLASS	3	3	3	3
130	3011114800	CASE F A AS	CASE+FRAME	1	1	1	1
	3011114830		CASE (NANO) +FRAME				
133	3011114900	CASE F B AS	CASE+FRAME	1	1	1	1
	3011114930		CASE (NANO) +FRAME				

- Some parts can be changed for improving their performance without notice.
 - Above parts number doesn't describe your own colour & printing. Please remind!

※ Basic Model



※ Dispenser Model



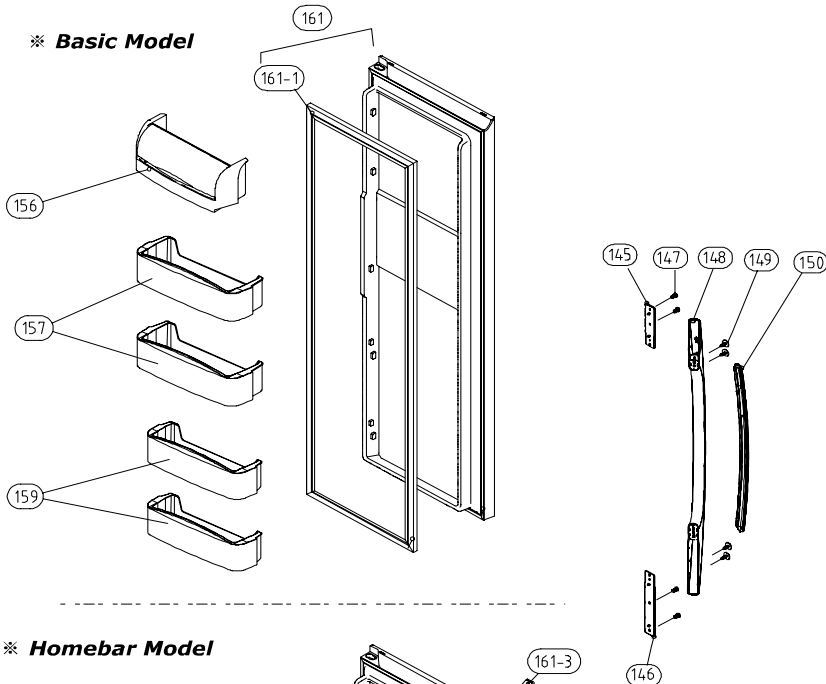
NO	PART-CODE	PART NAME	SPEC.	Q'ty			
				20IC	20BC	20DC	20FC
134	3019026700	POCKET F *T	HIPS	X	X	1	1
135	3019026600	POCKET F	HIPS	5	5	3	3
136	3000060480	ASSY F DR	FRU-579I, WHITE VCM	1	X	X	X
	3000072000		FR-S570FRB, WHITE EMBO	X	1	X	X
	3000060470		FRU-579B, TITANIUM PCM	X		X	X
	3000060490		FRU-549D, WHITE VCM	X	X	1	1
	3000060610		FRU-549D/F, TITANIUM PCM	X	X		
136-1	3010964601	CAP ICE PATH FRAME	PP(FRS-551F)	X	X	1	1
136-2	3012318810	GASKET F DR AS	PVC+MAGNET	1	1	1	1
136-3	3017903702	SOCKET LAMP AS	220V 15W	X	X	1	1
136-4	3015102200	SPRING ICE D LEVR	SUS	X	X	1	1
136-5	3011495300	COVER I/FLAP AS	FRU-541D	X	X	1	1
136-6	3012019700	FIXTURE I/SHUT LUVR	FR-S650CD	X	X	1	1
136-7	3015402100	VALVE SOL DISP	220V 60HZ	X	X	1	1
	3015403110		127V 60HZ				
	3015403200		AC 110~115V 60HZ				
	3015404100		220~240V/50Hz				
136-8	3016304900	BUTTON DISPNS AS	FRU-541D	X	X	1	1
136-9	3018125800	SWITCH MICRO	VP333A-2D	X	X	1	1
137	3013600020	LAMP AS	240V/15W	X	X	1	1
	3013600050		110V/15W				
138	3010544000	BOX DISPNS I/SHUT AS	FRU-541D	X	X	1	1
139	3012406900	GRILLE DISPNS	ABS	X	X	1	1
140	3001401040	COVER F PCB AS	EXPORT(FRU-579B/H)	X	1	X	X
	3011494700	COVER DISPNS BOX AS	FRU-541D	X	X	1	1
140-1	30143E1110	PCB FRONT AS	FR-S570ERB	X	1	X	X
	30143D5160		FRU-541F	X	X	1	1
145	3010339100	BASE HNDL *T	HIPS	1	1	1	1
146	3010339200	BASE HNDL *U	HIPS	1	1	1	1
147	7112401211	SCREW TAPPING	T1 TRS 4*12 MFZN	4	4	4	4
148	3012641000	HANDLE F/R AS	FR-S580DYB	1	1	1	1
149	3016002700	SPECIAL SCREW	WASR+TR55X16 MFZN	4	4	4	4
150	3011636030	DECO HANDL F/R	ABS(SPRAY)	1	1	1	1

- Some parts can be changed for improving their performance without notice.
 - Above parts number doesn't describe your own colour & printing. Please remind!

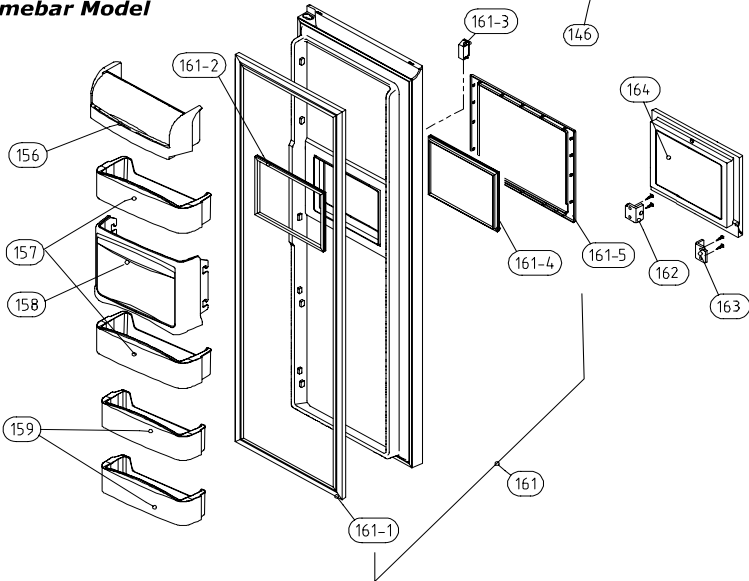
Date	A mendment Note

Refrigerator Door

※ **Basic Model**



※ **Homebar Model**



NO	PART-CODE	PART NAME	SPEC.	Q'ty			
				20IC	20BC	20DC	20FC
145	3010339100	BASE HNDL *T	HIPS	1	1	1	1
146	3010339200	BASE HNDL *U	HIPS	1	1	1	1
147	7112401211	SCREW TAPPING	T1 TRS 4*12 MFZN	4	4	4	4
148	3012641000	HANDLE F/R AS	FR-S580DYB	1	1	1	1
149	3016002700	SPECIAL SCREW	WASR+TRS5X16 MFZN	4	4	4	4
150	3011636030	DECO HANDL F/R	ABS(SPRAY)	1	1	1	1
156	3019027500	POCKET DAIRY AS	FRU-571I	1	1	1	1
157	3019026800	POCKET R	HIPS	2	2	2	2
158	3011187000	CASE H/BAR AS	FRU-541F	X	X	X	1
159	3019026900	POCKET R *S	HIPS	2	2	2	2
161	3000067730	ASSY R DR	FRU-579I, WHITE VCM	1	1	1	X
	3000072100		FR-S570FRB, WHITE EMBO				X
	3000060540		FRU-579B, TITANIUM PCM				X
	3000060710		FRU-549D/F, TITANIUM PCM				1
161-1	3012318910	GASKET R DR AS	PVC+MAGNET	1	1	1	1
161-2	3012319300	GASKET H/BAR B AS	PVC	X	X	X	1
161-3	3018125600	SWITCH H/BAR DR AS	SP101B-2D1(T)	X	X	X	1
161-4	3012319400	GASKET H/BAR A AS	PVC	X	X	X	1
161-5	3011497200	COVER FRAME H/BAR	ABS	X	X	X	1
162	3015204500	STOPPER H/BAR DR *R	PO T4.0	X	X	X	1
163	3015204400	STOPPER H/BAR DR *L	PO T4.0	X	X	X	1
164	3011767900	DOOR H/BAR AS	FRU-541F AL-LEVER	X	X	X	1

- Some parts can be changed for improving their performance without notice.

- Above parts number doesn't describe your own colour & printing. Please remind!

Date	A mendment Note