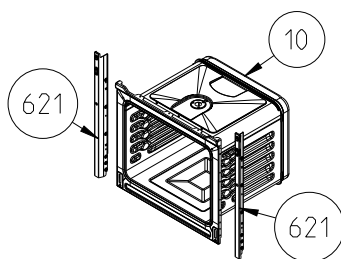
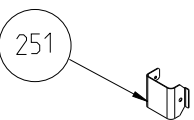
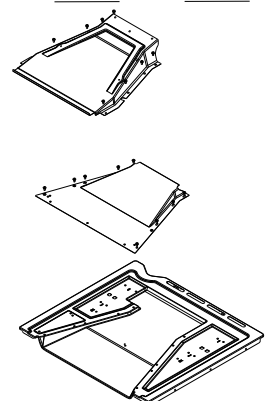


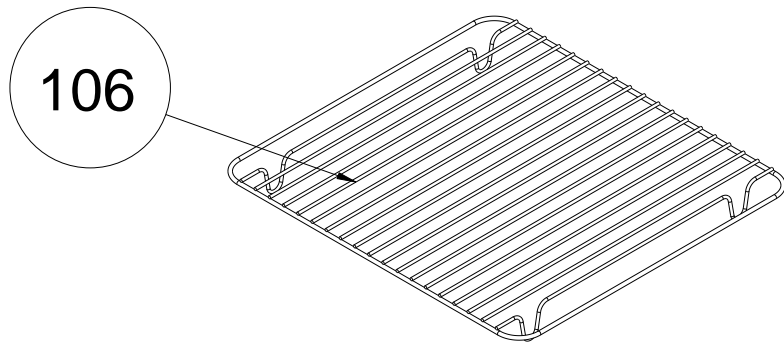
CAVITY ASSEMBLY EXPLODED VIEW



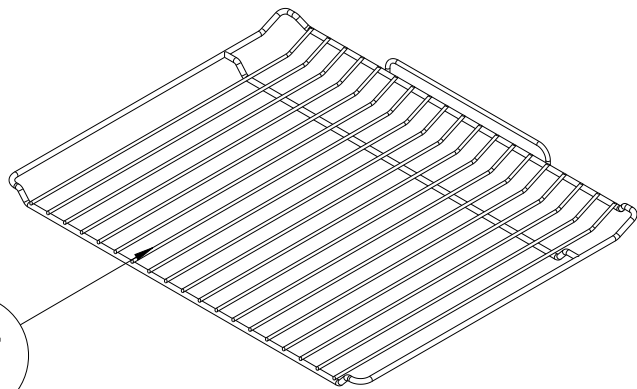
CAVITY ASSEMBLY EXPLODED VIEW



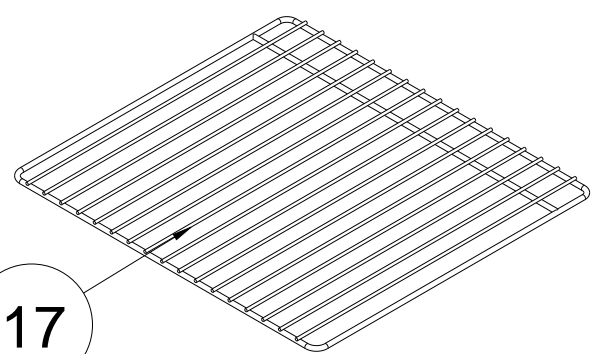
FOR FORCED COOLING



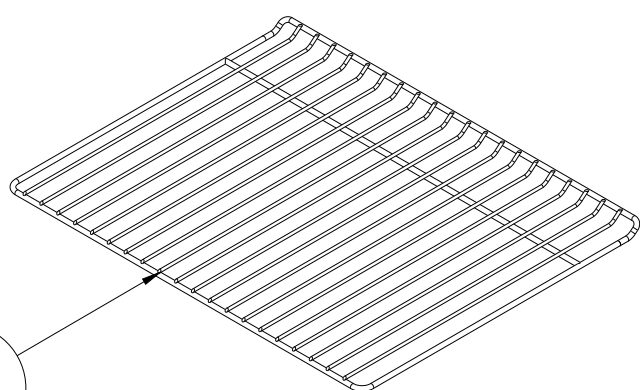
DEEP TRAY GRID
(OPTIONAL)



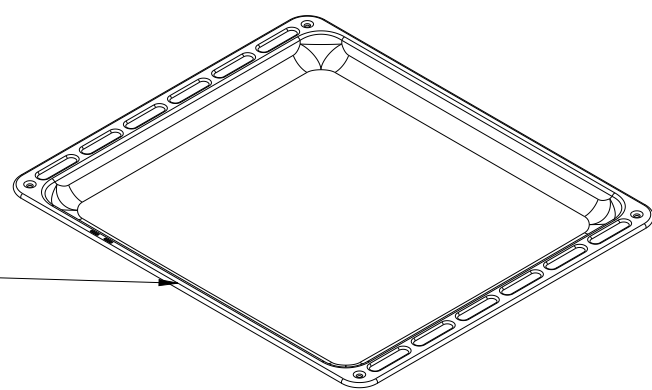
LOCKED-WITH STOPPER



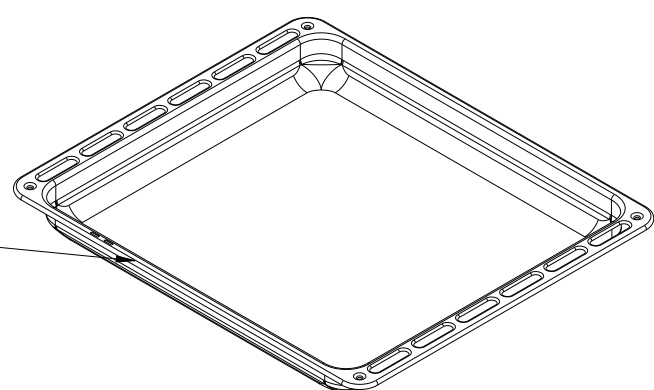
W. TELESCOPIC RAIL
GRID
(OPTIONAL)



LOCKED

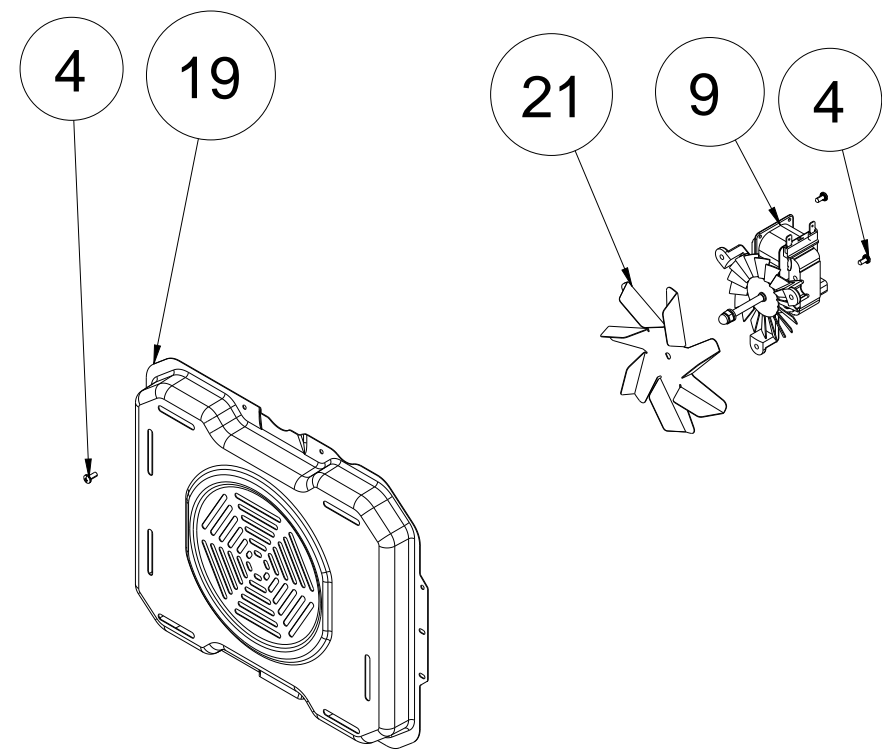


SHALLOW

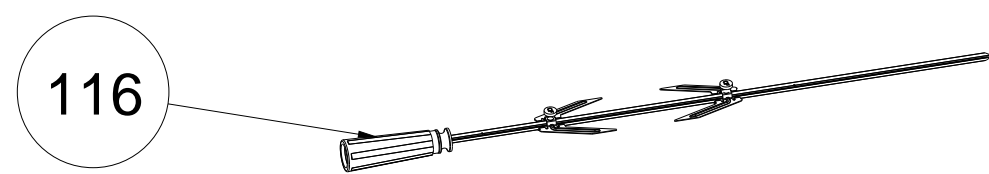


DEEP

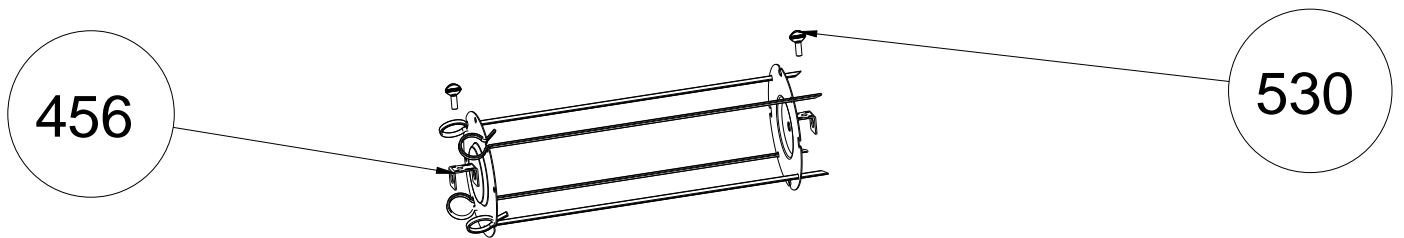
TRAYS & GRID
(OPTIONAL)



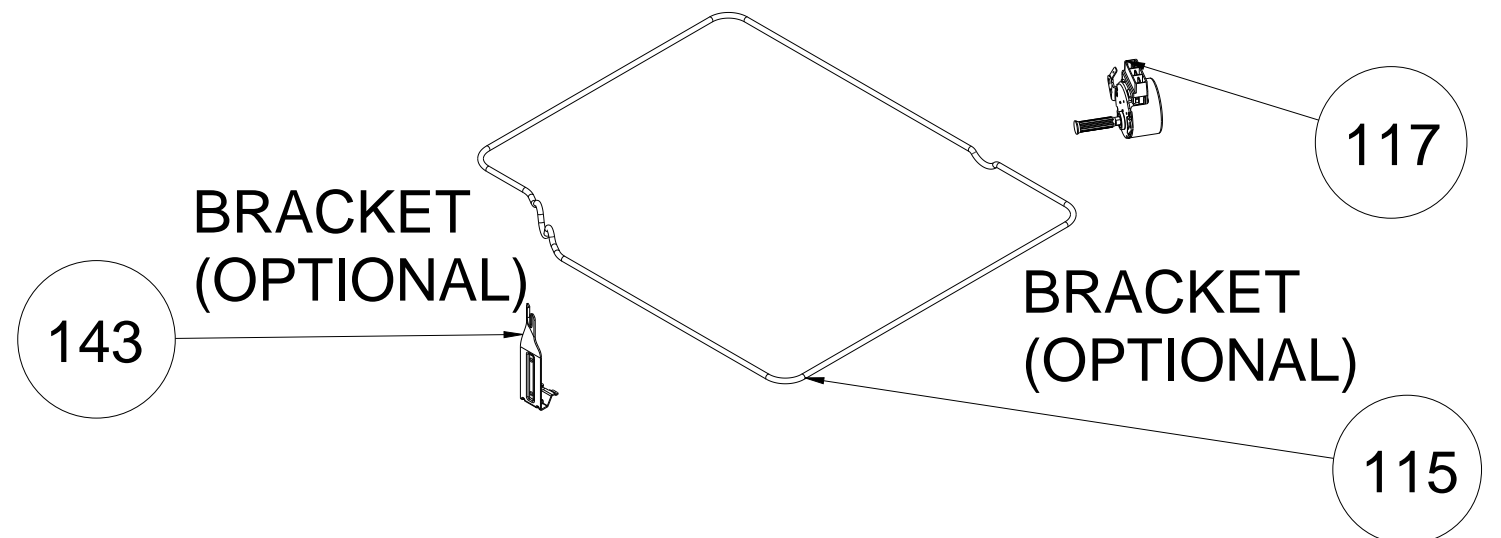
(FAN COVER/FAN IMPELLER
(6 WINGS)/FAN MOTOR) (OPTIONAL)



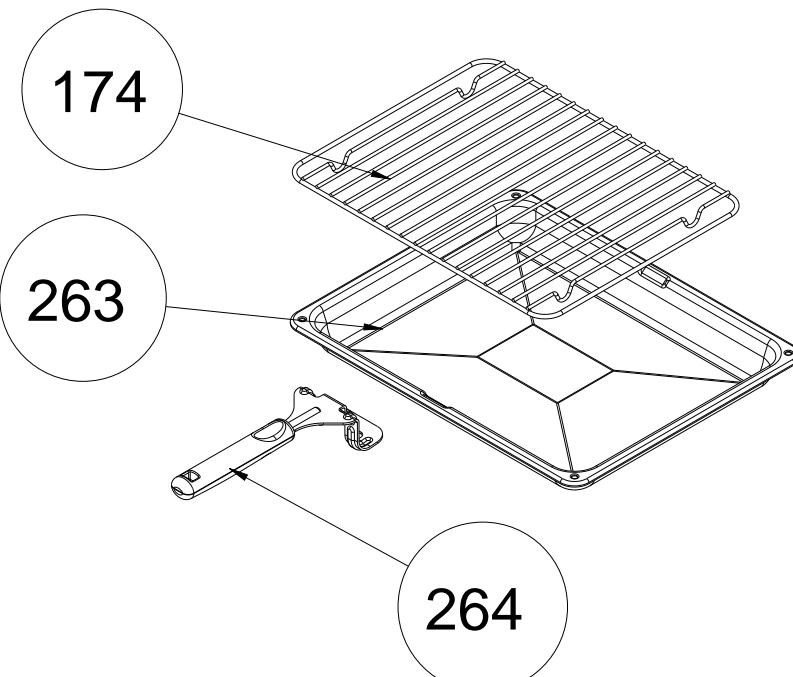
TURNSPIT SKEWER



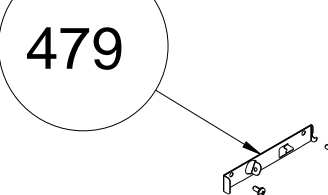
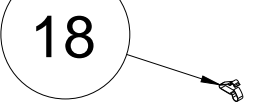
DEEPSHISH KEBAB ACCESSORY (OPTIONAL)



TURNSPIT (OPTIONAL)



TRAY SET FOR GRID
(POSITION NO 265)
(OPTIONAL)

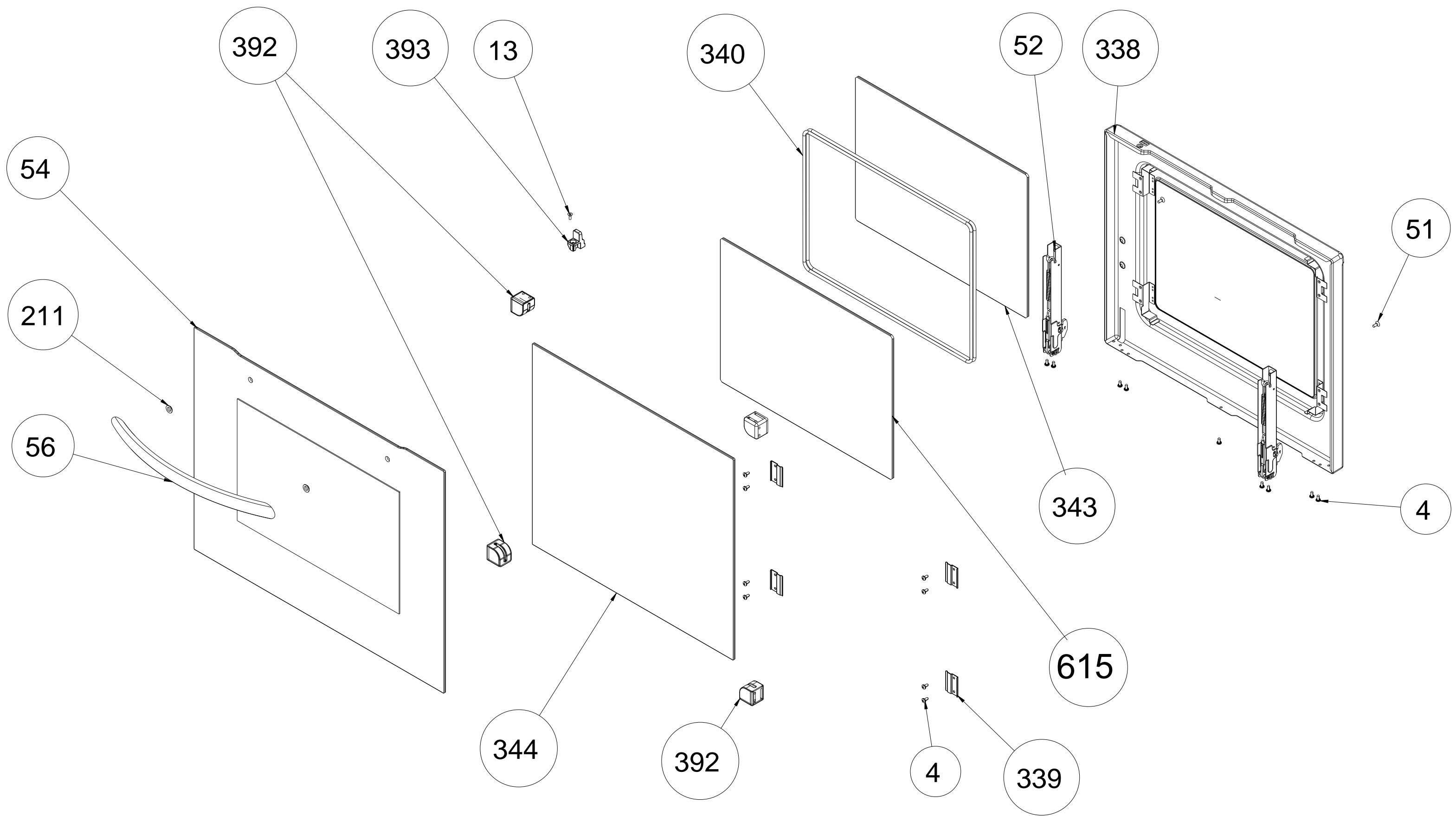


THERMIST BULB
HOLDER/BACKET

CAVITY ASSEMBLY SPARE PART LIST	
POSITION NUMBER	PART NAME
2	OVEN LIGHT
4	SCREW
7	REAR ISULATION COVER
9	FAN MOTOR
10	CAVITY
12	HINGE COUNTERPART (RIGHT / LEFT)
13	SCREW (COUNTERSUNK-HEAD,M4*8 BLACK)
15	TRAY (DEEP / SHALLOW / GLASS)
16	OVEN DOOR GASKET
17	GRID
18	THERMOSTAT BULB BRACKET
19	FAN COVER
20	RING TUBULAR HEATING ELEMENT
21	FAN IMPELLER
28	REAR TOP PANEL
29	REAR PANEL
30	TERMINAL BOX
31	POWER CORD (UNPLUGGED / PLUG)
32	SIDE PANEL (RIGHT / LEFT)
38	EXHAUST (PYROLYTIC OVEN)
40	SCREW (KNURLED, 3.5*9.5)
71	SCREW
78	DOOR LOCK (PYROLYTIC OVEN)
80	SCREW (KNURLED, M4*6)
91	BLIND NUT -FOR FILTER
106	DEEP TRAY GRID
107	KNURLED WASHER
110	BOTTOM HEATING ELEMENT
111	BOTTOM HEATING COVER
112	TOP AND GRILL HEATER(
114	TOP HEATING ELEMENT BULB BRACKET
115	TURNSPIT GRILL
116	TURNSPIT SKEWER
117	TURNSPIT MOTOR
125	SPACER
126	SCREW (COUNTERSUNK-HEAD, 3.5*25, BLACK)
143	TURNSPIT HOUSE
174	TRAY GRID
200	BOTTOM PANEL
201	MOTOR COOLING
202	TOP INSULATION COVER
203	COOLING FAN DUCT
205	LIMIT THERMOSTAT NC 80°C,250V,16A /ELTH
207	TOP PANEL
242	PYROLYTIC LOCK BRACKET
251	SIDE PANEL BRACKET
263	GRILL TRAY (BLACK)
264	TRAY HOLDER
265	TRAY SET (SMALL,BLACK)
294	WASHER(FLAT,ID6,15xOD18xT1mm)
390	SCREW (CIRCULAR-HEAD, 3.9*9.5, STAINLESS)
391	DOOR LOCK GASKET
394	OVEN LIGHT INSULATION SHIELD
405	PYROLYTIC OVEN FILTER NUT
449	LIMIT THERMOSTAT NC 140°C, 250V, 16A
452	LIMIT THERMOSTAT NO 70°C
453	LIMIT THERMOSTAT 90C 16/5 (DB.CONTACT)
456	SHISH KEBAB ACCESSORY
515	ELECTRONIC THERMOSTAT
530	EYE SCREW (M5*12,AISI304)
553	EXHAUST TOP PANEL
614	FCS TOP AIR COOLING METAL TUNNEL
621	FRAME SUPPORT PART LEFT /RIGHT

The exploded view given in this document are generic.They include all possible versions of the product.For specific part codes please refer to the bom list of regarding model.

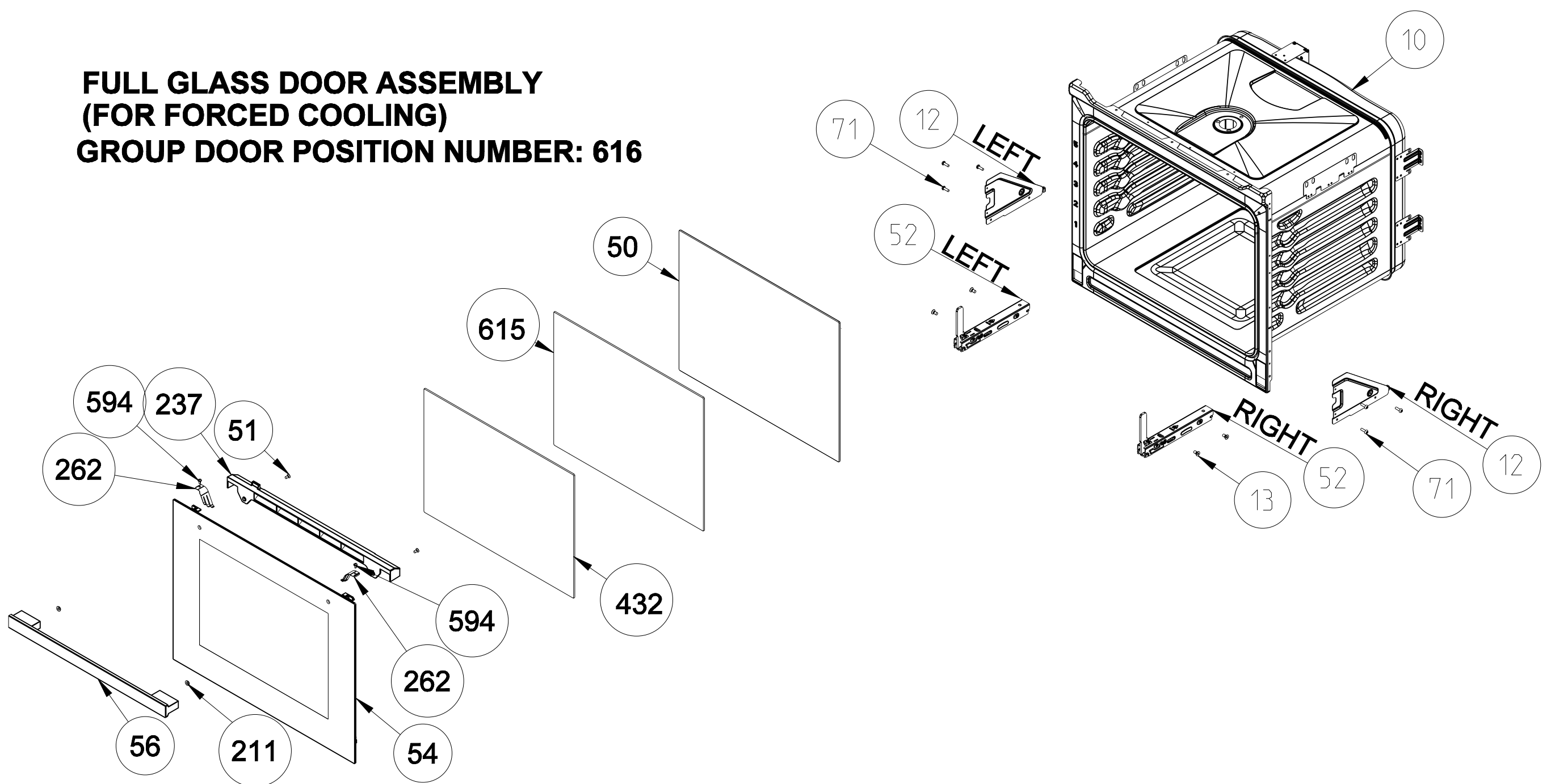
17.03.2016



OVEN DOOR ASSEMBLY (OUTER & INNER)
(POSITION NO 378)

FULL GLASS DOOR ASSEMBLY (FOR FORCED COOLING)

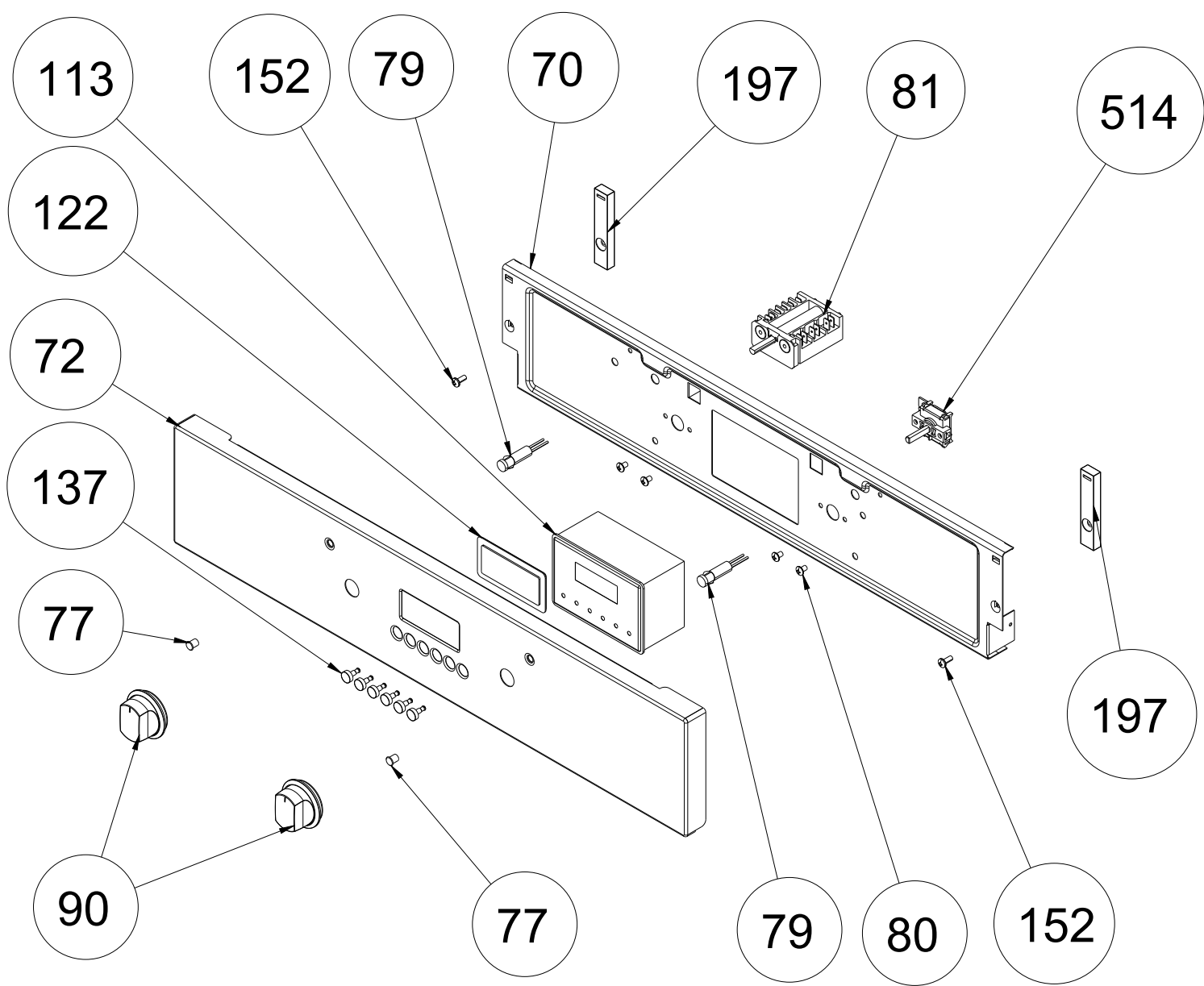
**FULL GLASS DOOR ASSEMBLY
(FOR FORCED COOLING)
GROUP DOOR POSITION NUMBER: 616**



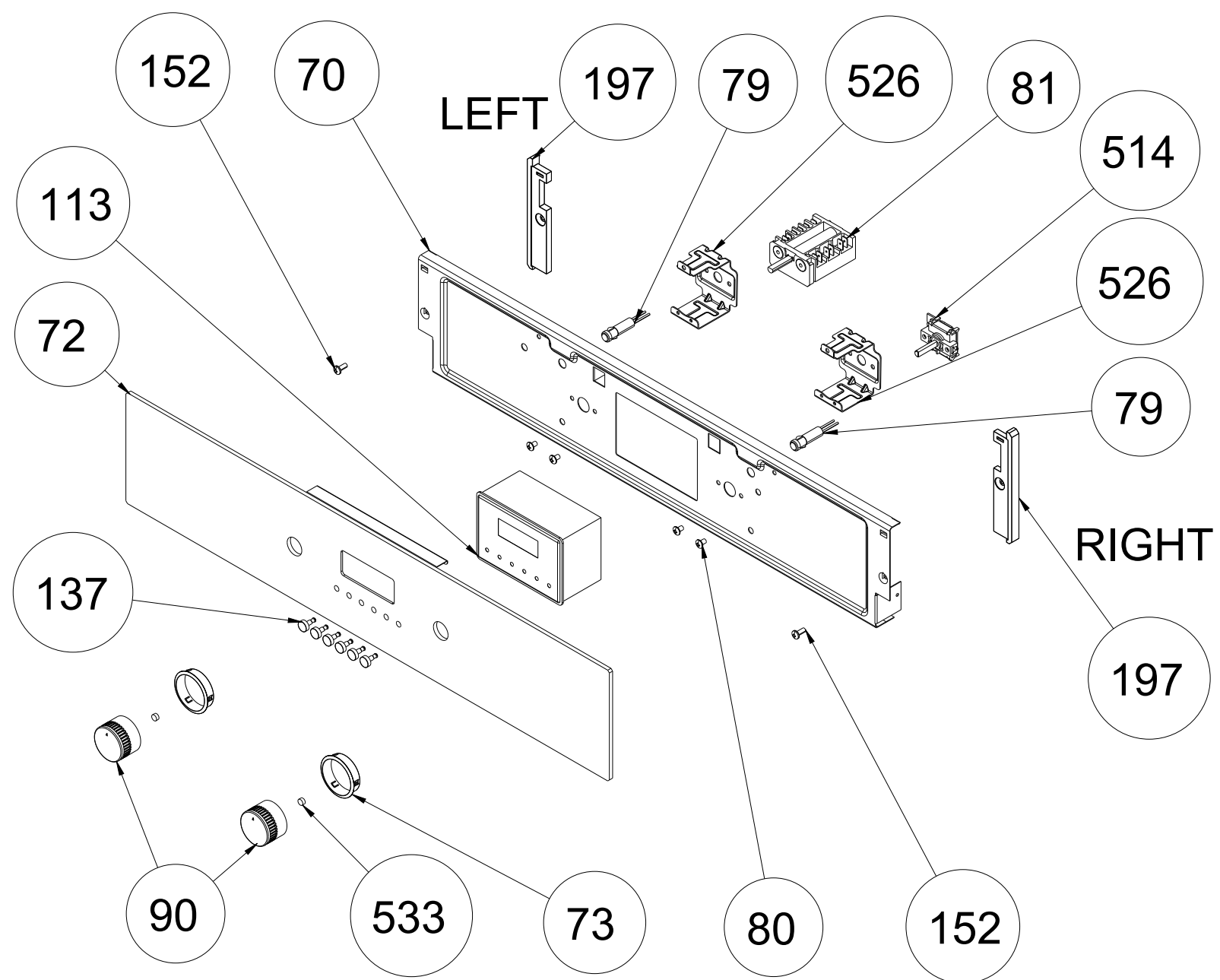
PYROLYTIC DOOR ASSEMBLY SPARE PART LIST

POSITION NUMBER	PART NAME
4	SCREW (3.9*9.5)
12	NEW HINGE COUNTERPART
13	SCREW (COUNTERSUNK-HEAD, M4*8, BLACK)
50	BOROSILICATE INNER GLASS
51	SCREW (COUNTERSUNK-HEAD, M5*10, BLACK)
52	OVEN DOOR HINGE
54	OUTER GLASS ASSEMBLY
55	HANDLE BRACKET
56	HANDLE BODY
71	SCREW (KNURLED, 3.9*6.5)
204	HANDLE TAP
211	HANDLE ASSEMBLY BRACKET
237	DOOR METAL / PLASTIC TOP COVER PART
262	REMOVABLE INNER GLASS SPRING (LEFT/RIGHT)
302	HANDLE BRACKET SCREW
338	INNER LID SOURCE PART
339	PYROLYTIC SOURCE ADDITIONAL PART
340	FIBERGLASS OVEN DOOR INNER DOUBLE WINDOW
343	FLAT PYROLYTIC OVEN DOOR INTERVAL GLASS (SMALL)
344	FLAT PYROLYTIC OVEN DOOR INTERVAL GLASS (BIG)
378	SOLID TYPE OVEN DOOR ASS.GR
391	DOOR LOCK GASKET
392	PYROLYTIC OVEN DOOR INNER GLASS BUMPER
393	PYROLYTIC DOOR LOCK COUNTER PART
432	OVEN DOOR BIG MIDDLE GLASS
594	SCREW (CIRCULAR HEAD,PT,4X10)
615	OVEN DOOR SMALL MIDDLE GLASS
616	FULL GLASS DOOR ASSEMBLY (FOR FORCED COOLING)

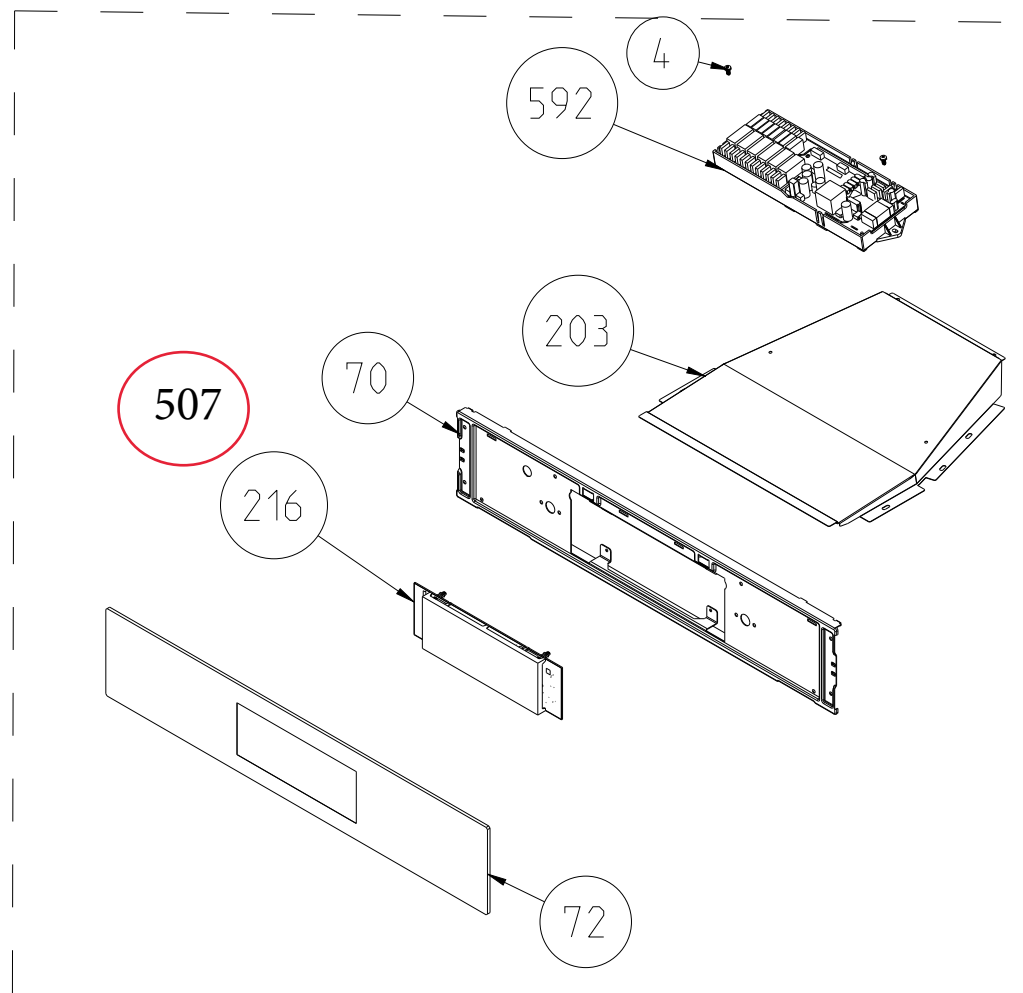
"The exploded views given in this document are generic.They include all possible versions of the product.For specific part codes,please refer to the bom list of regarding model."



METAL CONTROL PANEL ASSEMBLY



GLASS CONTROL PANEL ASSEMBLY (OPTIONAL)



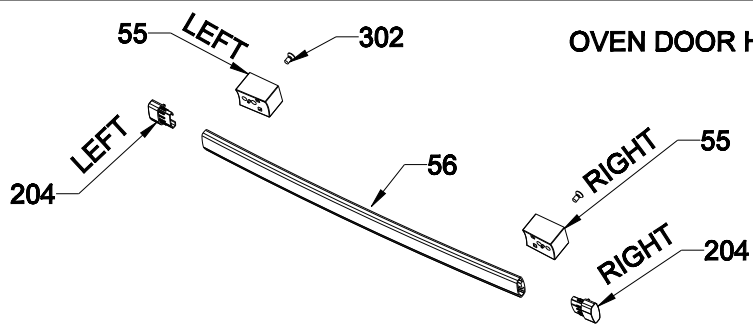
VESTEL FULL TOUCH GLASS CONTROL PANEL ASSEMBLY (OPTIONAL)

CONTROL PANEL ASSEMBLY PARTS

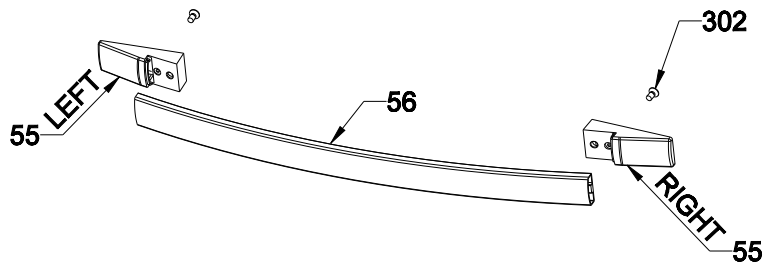
POS NO	PART NAME
4	SCREW (KNURLED,3.9*9.5)
70	INNER PANEL
72	FRONT PANEL GROUP (GLASS / METAL)
73	KNOB RING
77	SIGNAL LAMP LENS
79	SIGNAL LAMP BODY
80	ELECTRICAL COMPONENT CONTACT SREW
81	FUNCTION SELECTOR SWITCH
90	KNOB-ELECTRICAL
113	PYROLYTIC TIMER
122	DIGITAL TIMER LENS
137	TIMER BUTTON
152	INNER PANEL SIDE ADDITION CONTACT SCREW
197	INNER PANEL (RIGHT / LEFT) SIDE ADDITION
203	LNL BIO COOLING FAN DUCT
216	TOUCH CONTROL UNIT
514	PYROLYTIC OVEN THERMOSTAT ENCODER
526	POP IN ASSEMBLY BRACKET (BUILT-IN)
533	KNOB FEED GASKET (SHORT)
592	VSTL FRN ANKRT

"The exploded views given in this document are generic.They include all possible versions of the product.For specific part codes,please refer to the bom list of regarding model."

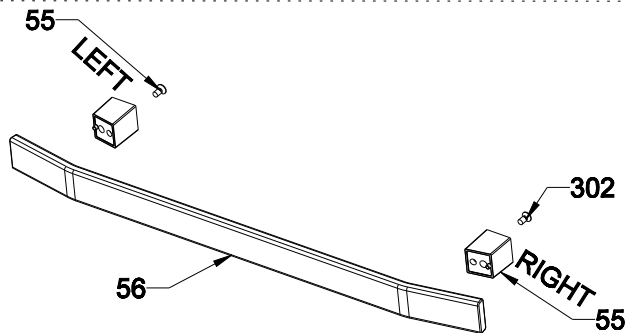
OVEN DOOR HANDLES (OPTIONAL)



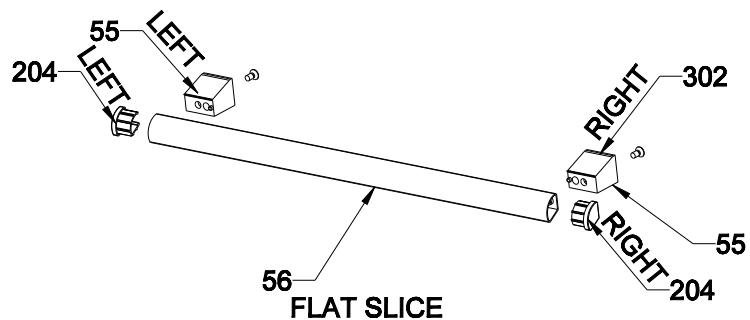
CURVED QUADRANGLE



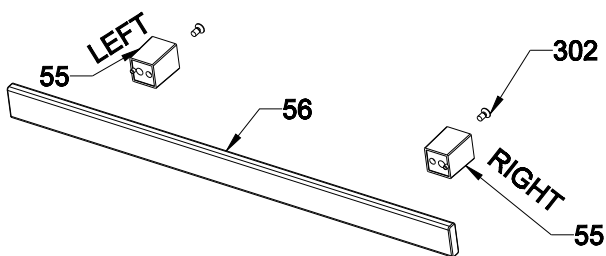
ARC QUADRANGLE



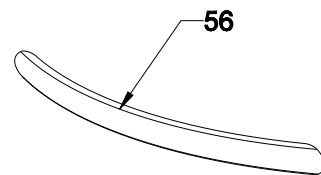
3D QUADRANGLE



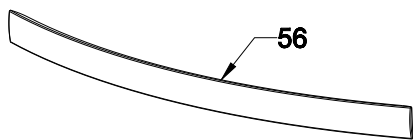
FLAT SLICE



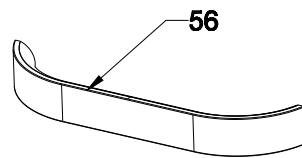
FLAT QUADRANGLE



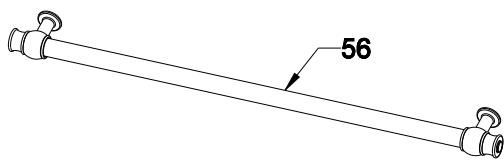
ELLIPSE ARC



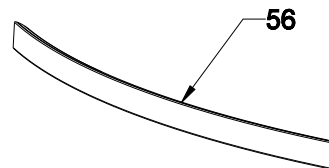
D PROFILE ARC, ELECTROLUX



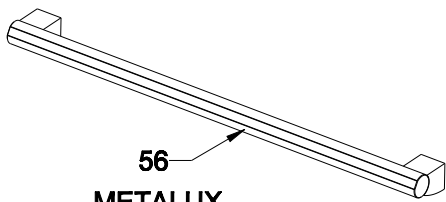
BOW



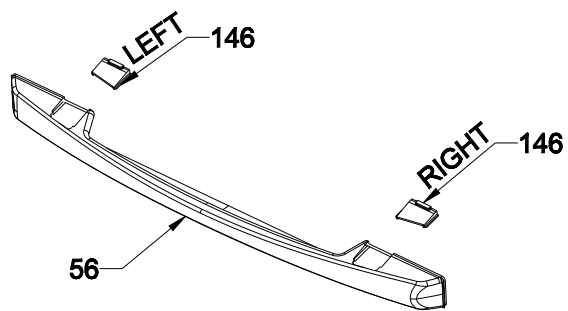
RUSTIK RISUS



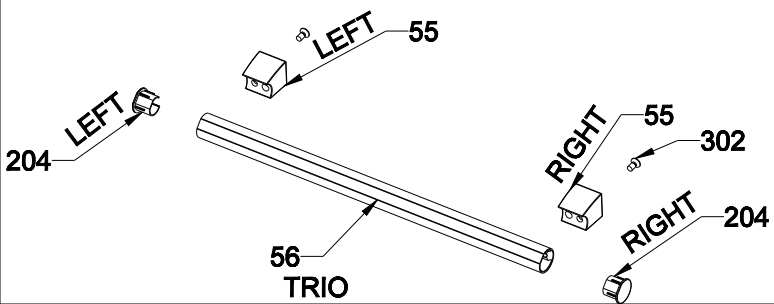
D PROFILE ARC



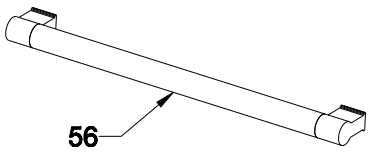
METALUX



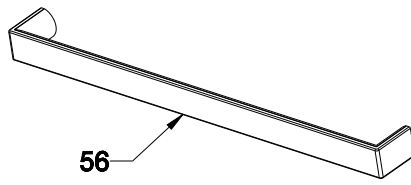
HANDLE WITHOUT FAN



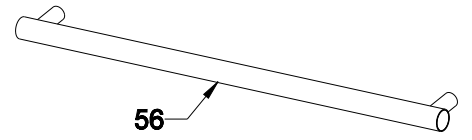
TRIO



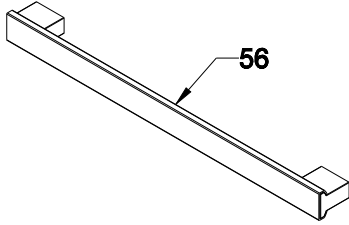
TROY



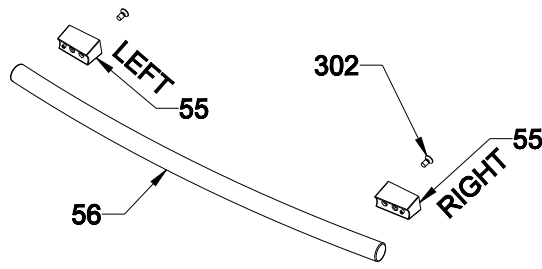
VERO



CYLINDER

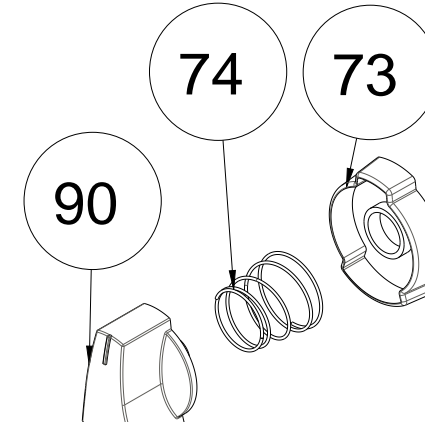
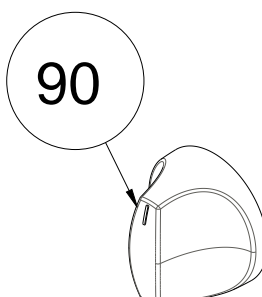
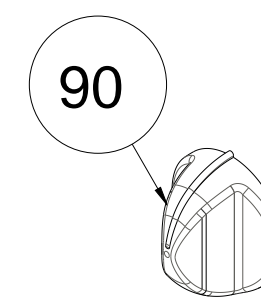


TITAN VESTEL & SHARP ONLY



ARC TUBE

KNOBS (ONLY FOR BUILT-IN - OPTIONAL)

 <p>90</p>	 <p>90 74 73</p>	 <p>90</p>	 <p>90</p>	 <p>90</p>	 <p>90 74 73</p>
DELTA	DELTA RING	ALFA	GAMA	ZETA	SIGMA(SMALL)
 <p>90 74 73</p>	 <p>90</p>	 <p>90</p>	 <p>90</p>	 <p>90</p>	 <p>90</p>
TRIO	CANDY	ECLIPSE	RUSTIC RISUS	BIG MACRO	SMALL MACRO
 <p>90</p>	 <p>90</p>	 <p>90</p>	 <p>90 74 73</p>	 <p>90 74 73</p>	 <p>90 74 73</p>
VESTA	JANNU	NORD	OMEGA	EPSILON	GAMA RING
 <p>90 74 73</p>	 <p>90 74 73</p>	 <p>90 74 73</p>	 <p>90</p>	 <p>90 74 73</p>	 <p>90</p>
ECLIPSE RING	SPECTRUM	RIMO	VARIO	ANTERO	POP-IN