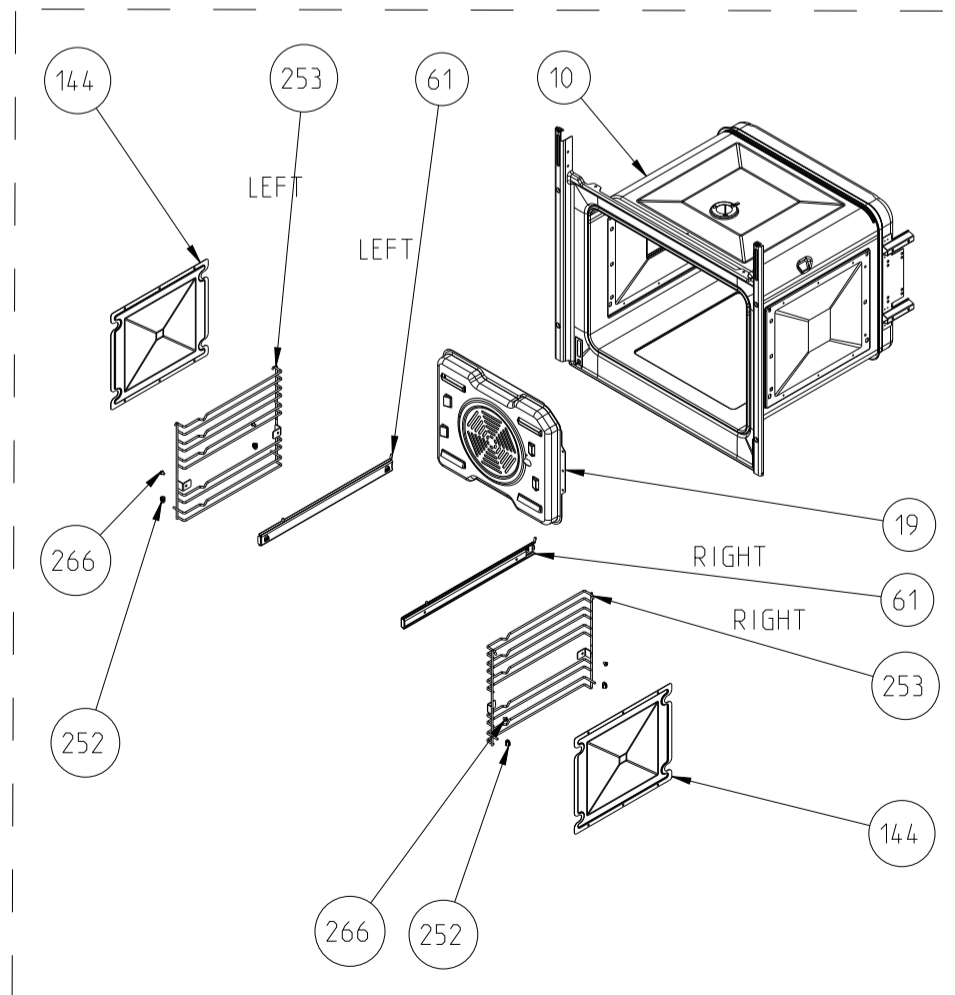
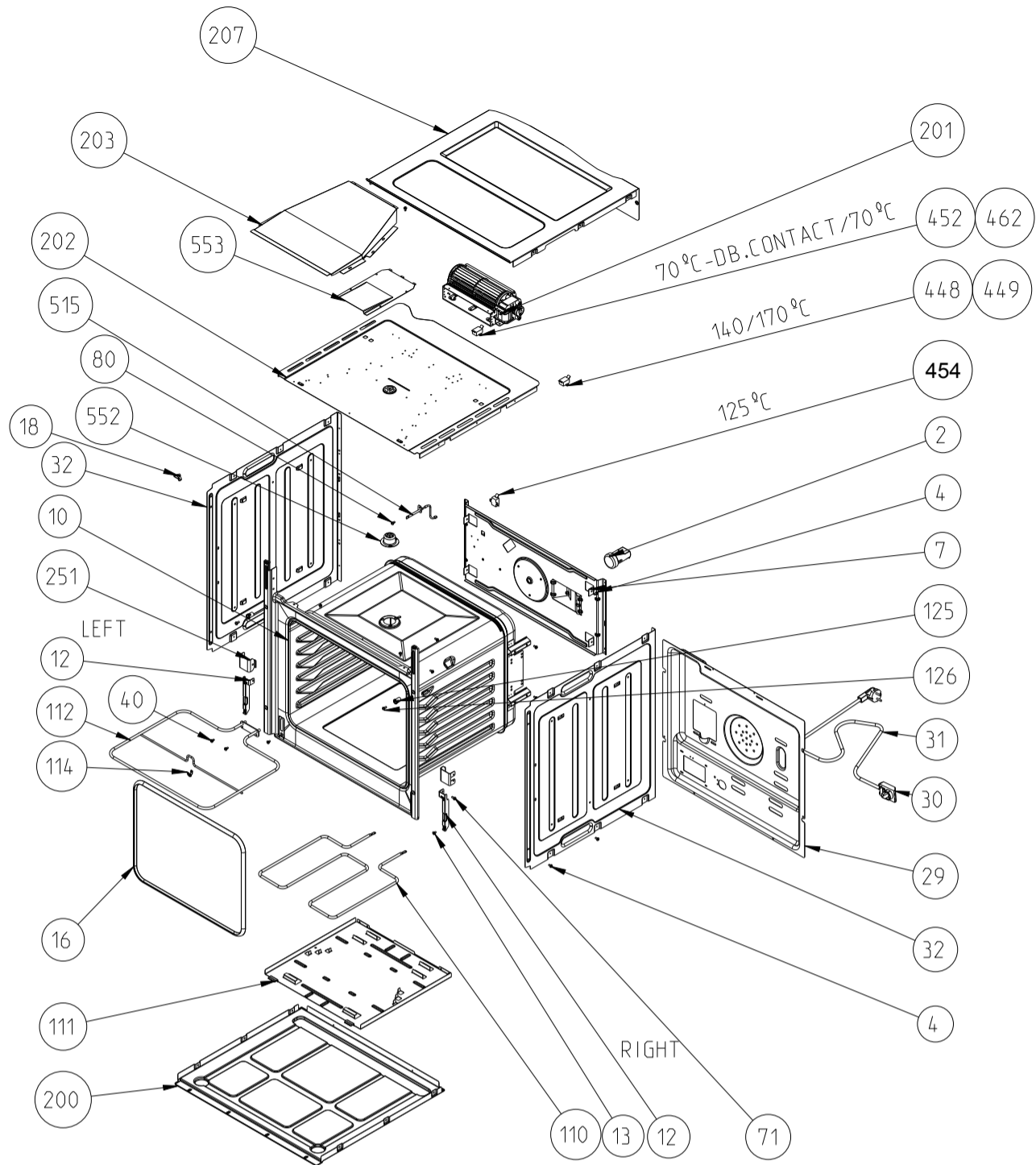
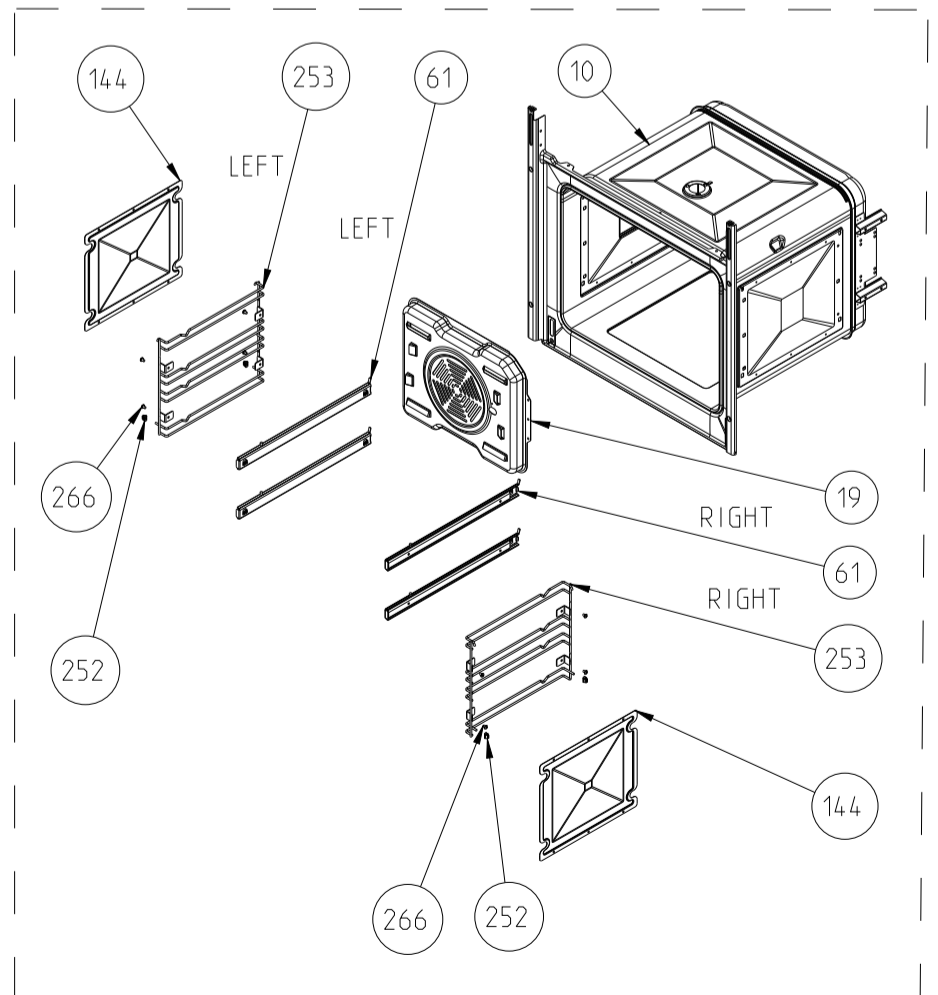


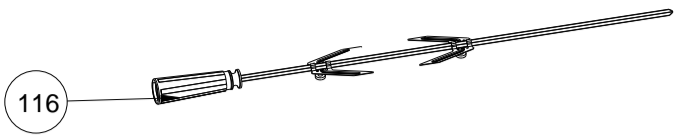
WIRE SHELF CAVITY ASSEMBLY WITH / WITHOUT CATALYTIC PANEL (OPTIONAL)



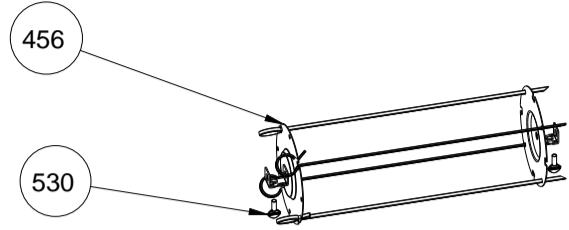
WIRE SHELF CAVITY ASSEMBLY WITH / WITHOUT CATALYTIC PANEL
OPTIONAL : TELESCOPIC RAIL (R / L)



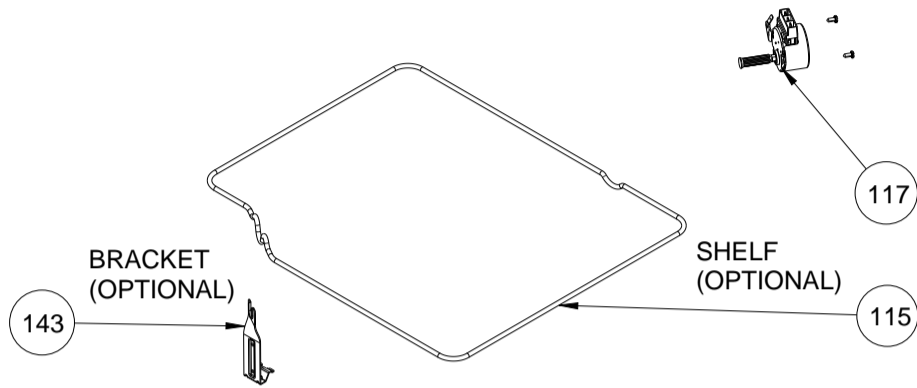
WIRE SHELF CAVITY ASSEMBLY WITH / WITHOUT CATALYTIC PANEL
OPTIONAL : DOUBLE TELESCOPIC RAILS (R / L)



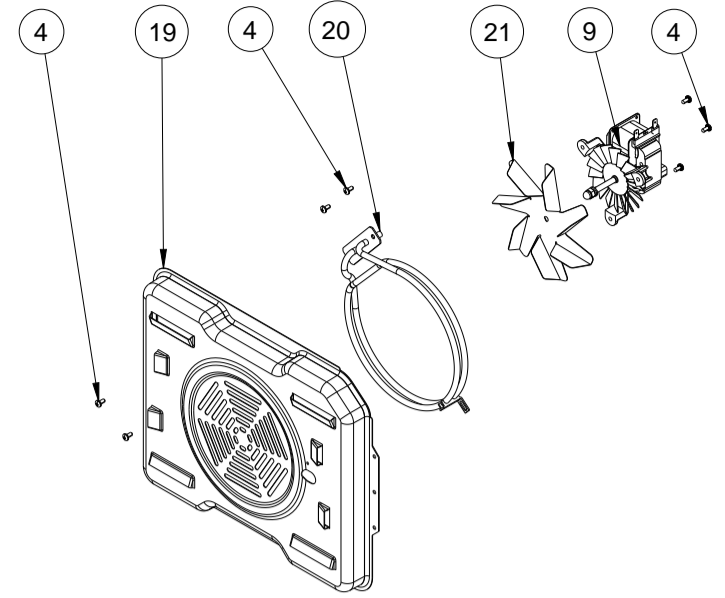
TURNSPIT SKEWER



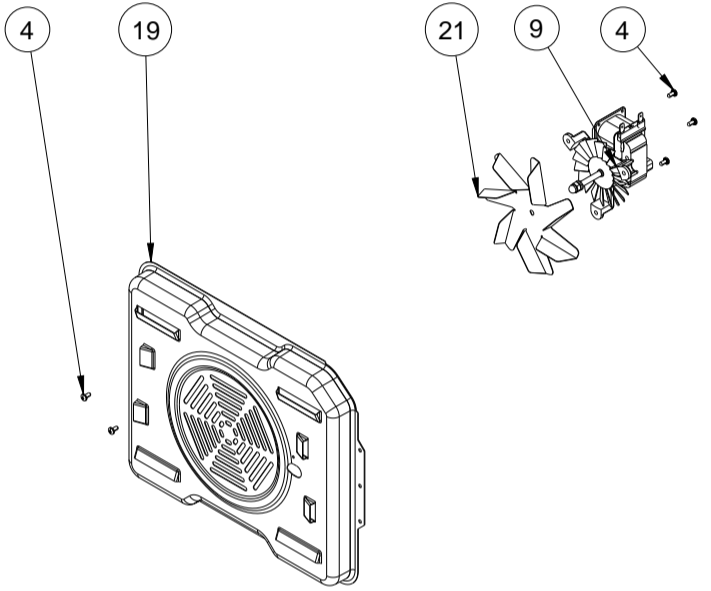
SHISH KEBAB ACCESSORY (OPTIONAL)



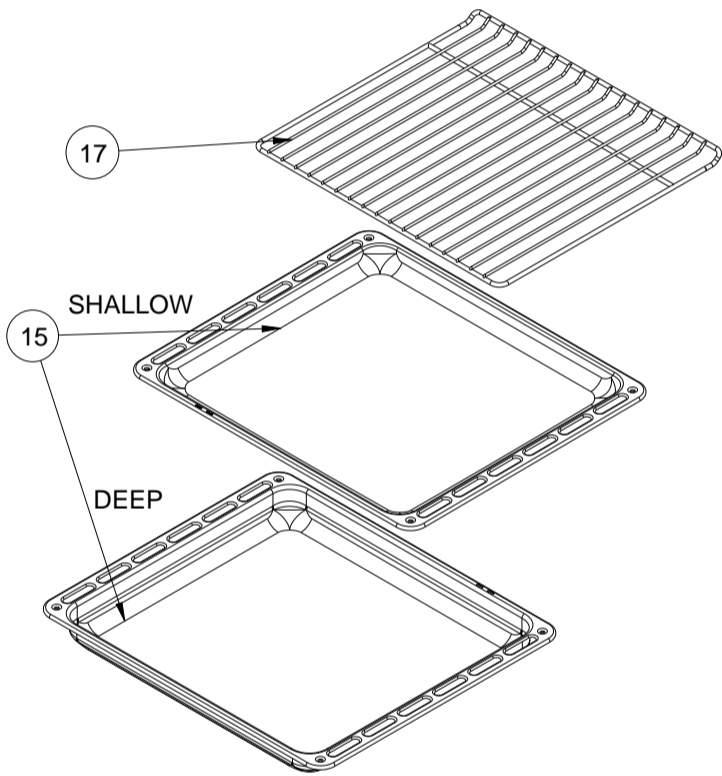
TURNSPIT(OPTIONAL)



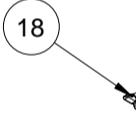
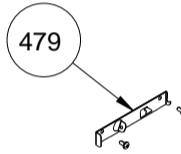
RING HEATING ELEMENT WITH FAN (OPTIONAL)



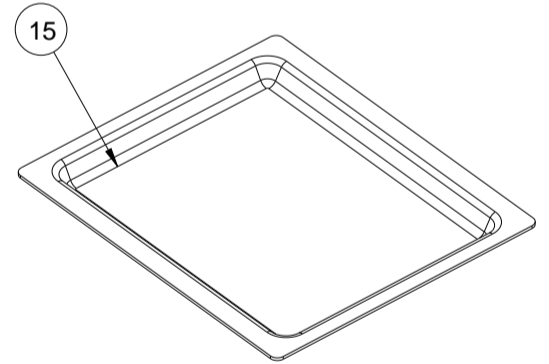
(FAN COVER/ FAN IMPELLER (6 WINGS) / FAN MOTOR) (OPTIONAL)



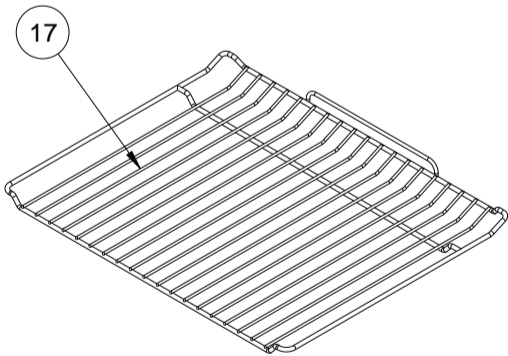
TRAYS & GRID (OPTIONAL)



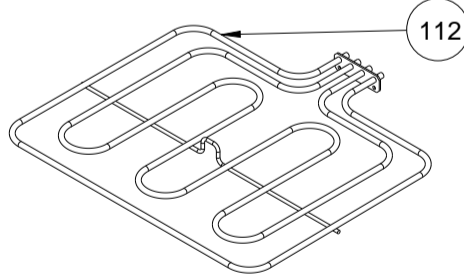
THERMIST BULB HOLDER/BACKET



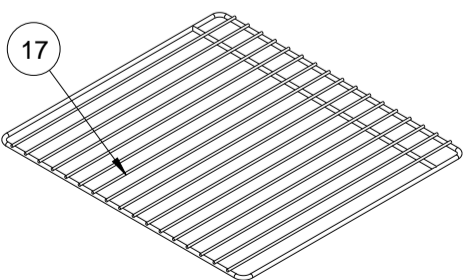
GLASS TRAY (OPTIONAL)



LOCKED

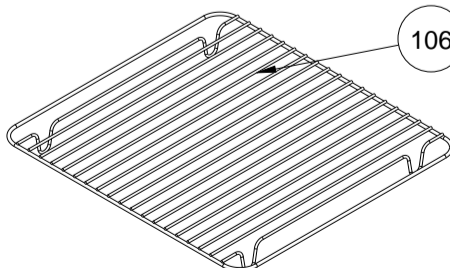


TOP AND GRILL HEATING ELEMENT (OPTIONAL)

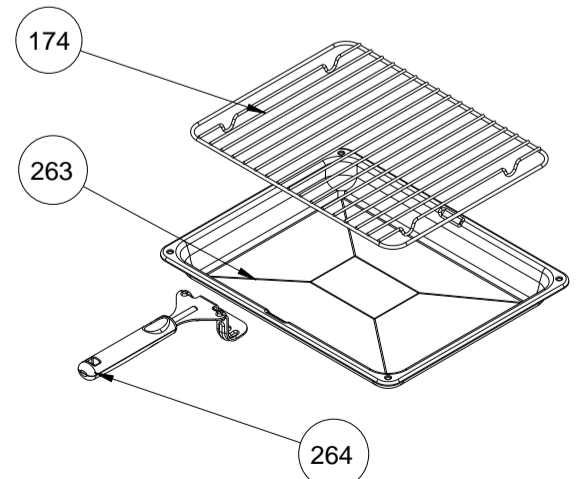


W. TELESCOPIC RAIL

GRID (OPTIONAL)



DEEP TRAY GRID (OPTIONAL)

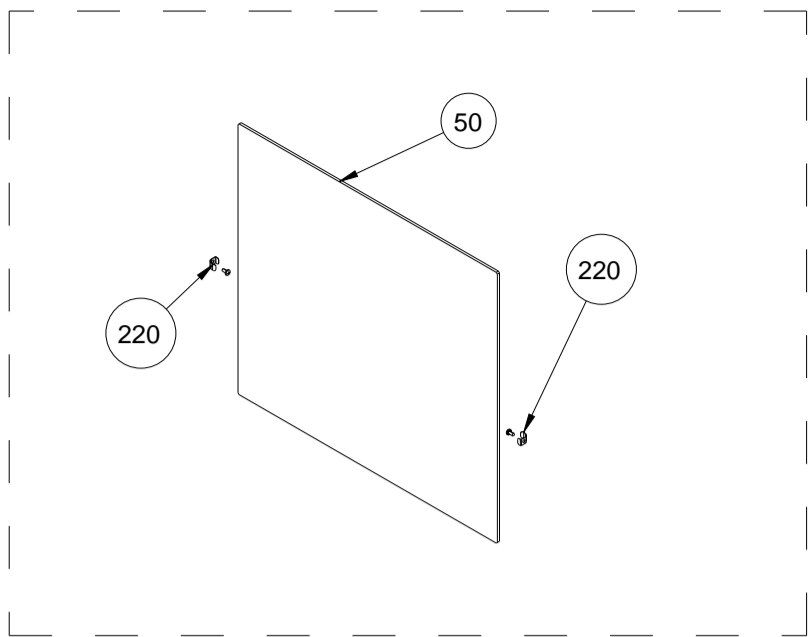


TRAY SET FOR GRID (POSITION NO : 265) (OPTIONAL)

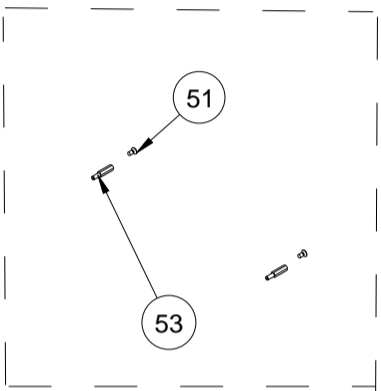
BUILT- IN OVEN PART LIST

| POSITION NUMBER | PART NAME |
|------------------------|---|
| 2 | OVEN LIGHT |
| 4 | SCREW (3.9*9.5) |
| 7 | REAR INSULATION COVER |
| 9 | FAN MOTOR |
| 10 | CAVITY |
| 12 | HINGE COUNTERPART (RIGHT / LEFT) |
| 13 | SCREW (M4*8, BLACK) |
| 15 | TRAY (DEEP / SHALLOW / GRILL) |
| 16 | OVEN DOOR GASKET |
| 17 | GRID (LOCKED , W. TELESCOPIC RAIL) |
| 18 | THERMOSTAT BULB BRACKET (FROM 12 12 2011) |
| 19 | FAN COVER |
| 20 | RING TUBULAR HEATING ELEMENT |
| 21 | FAN IMPELLER |
| 28 | REAR TOP PANEL |
| 29 | REAR PANEL |
| 30 | TERMINAL BOX |
| 31 | POWER CORD |
| 32 | SIDE PANEL (RIGHT-LEFT) |
| 40 | SCREW (KNURLED, 3.5*9.5) |
| 61 | TELESCOPIC RAIL (RIGHT, LEFT) |
| 71 | SCREW (KNURLED, 3.9*6.5) |
| 80 | SCREW (KNURLED, M4*6) |
| 106 | DEEP TRAY GRID |
| 110 | BOTTOM HEATING ELEMENT |
| 111 | BOTTOM HEATING ELEMENT HOLDER |
| 112 | TOP AND GRILL HEATING ELEMENT |
| 114 | TOP HEATING ELEMENT BULB BRACKET |
| 115 | TURNSPIT HOUSE (SHELF) |
| 116 | TURNSPIT SKEWER (OPTIONAL) |
| 117 | TURNSPIT MOTOR 240V- 400V |
| 125 | SPACER (SQUARE & ROUND) |
| 126 | SCREW (3.5*25, BLACK) |
| 143 | TURNSPIT HOUSE (BRACKET) |
| 144 | SHELF (RIGHT-LEFT, CATALYTIC ENAMELLED) |
| 174 | TRAY GRID |
| 200 | BOTTOM PANEL |
| 201 | COOLING MOTOR |
| 202 | TOP INSULATION COVER |
| 203 | COOLING FAN DUCT |
| 207 | TOP PANEL |
| 251 | SIDE PANEL BRACKET |
| 252 | WIRE SHELF FIXING CLIP |
| 253 | WIRE SHELF (RIGHT-LEFT) |
| 263 | GRILL TRAY (BLACK) |
| 264 | TRAY HOLDER |
| 265 | TRAY SET (SMALL, BLACK) |
| 266 | WIRE SHELF FIXING SCREW |
| 448 | LIMIT THERMOSTAT 170°C (Avaible for models without cooling fan) |
| 449 | LIMIT THERMOSTAT 140° C |
| 452 | LIMIT THERMOSTAT 70°C |
| 454 | LIMIT THERMOSTAT 125°C |
| 456 | SHISH KEBAB ACCESSORY |
| 462 | LIMIT THERMOSTAT 70° C-DB.CONTACT |
| 479 | THERMOSTAT BULB HOLDER(ELECTRIC) |
| 515 | ELECTRONIC THERMOSTAT |
| 530 | EYE SCREW (M5*12,AISI304) |
| 552 | EXHAUST |
| 553 | EXHAUST TOP PANEL |

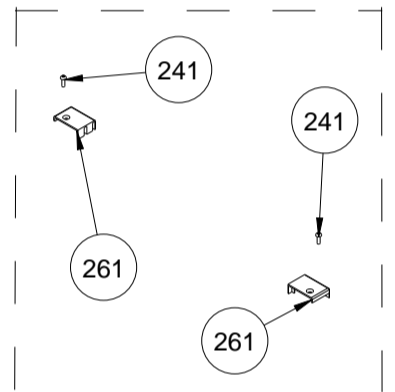
"The exploded views given in this document are generic. They include all possible versions of the product.For specific part codes, please refer to the bom list of regarding model."



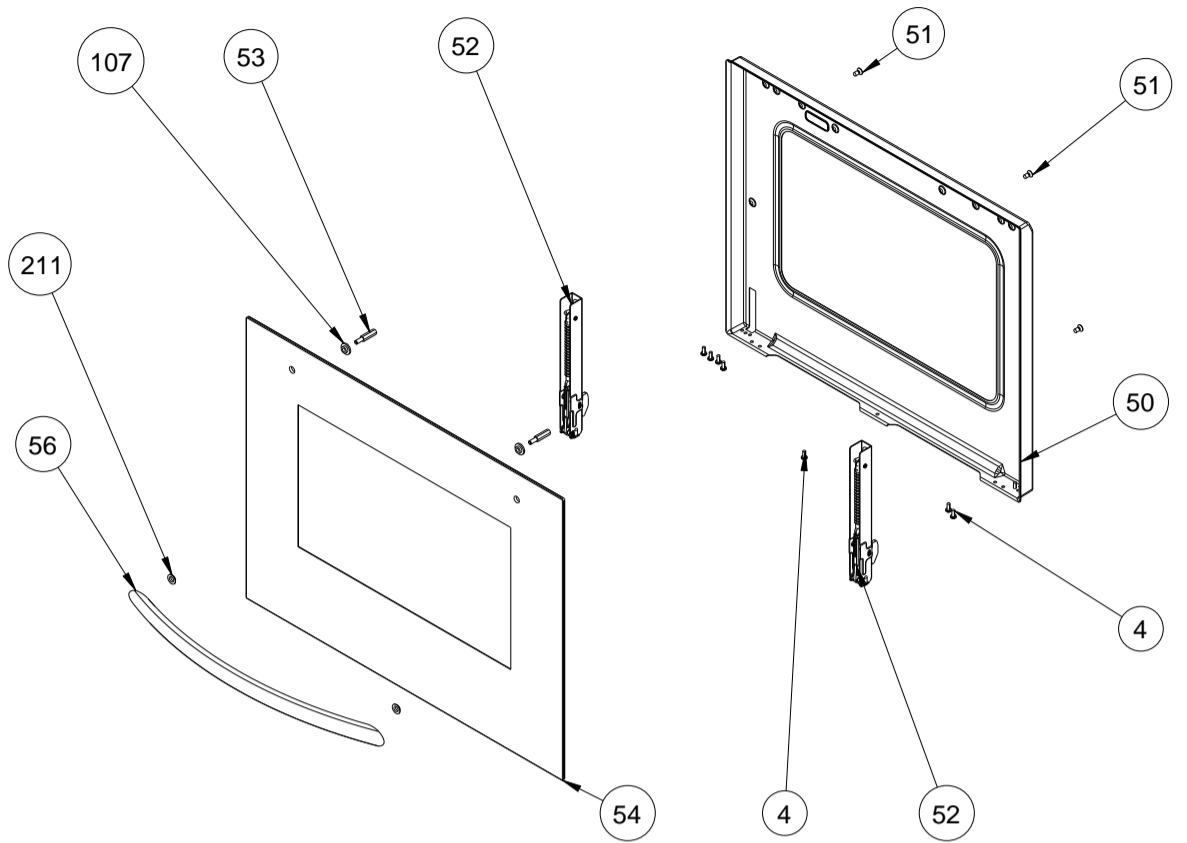
INTERVAL GLASS
(OPTIONAL)



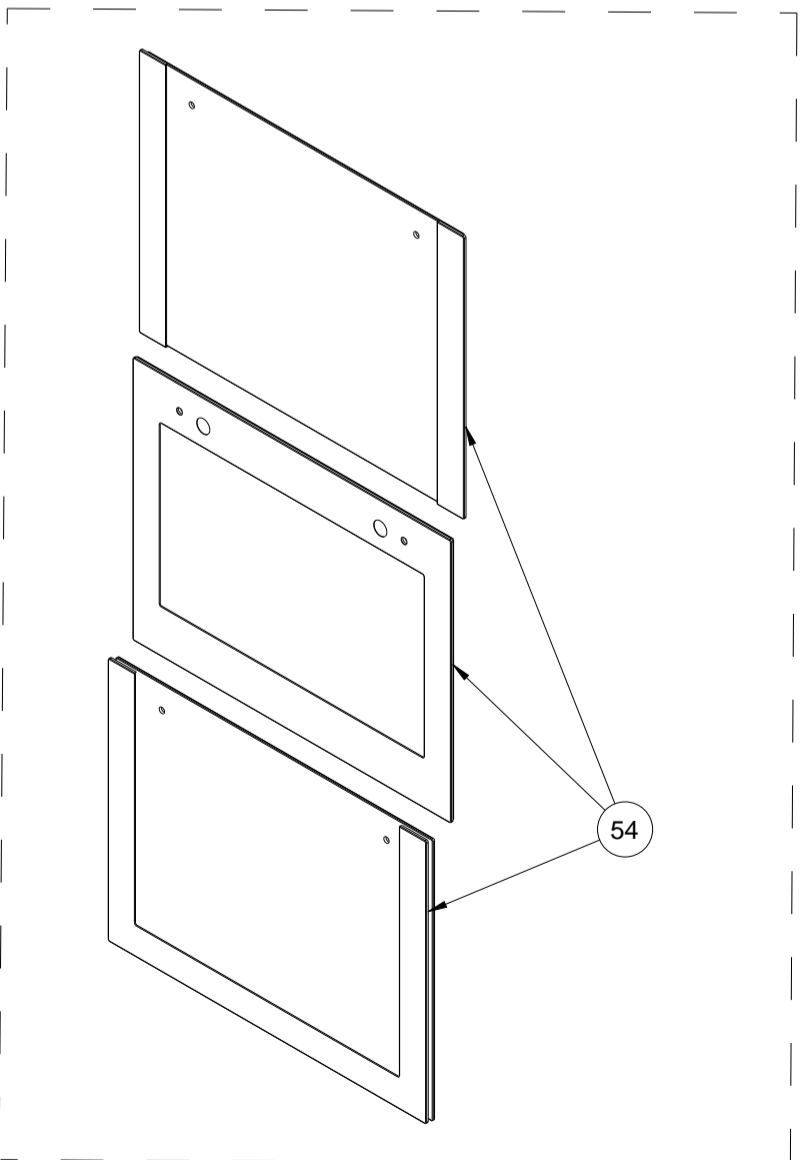
HANDLE ASSEMBLY GROUP
(POSITION NO 49)
(OPTIONAL)



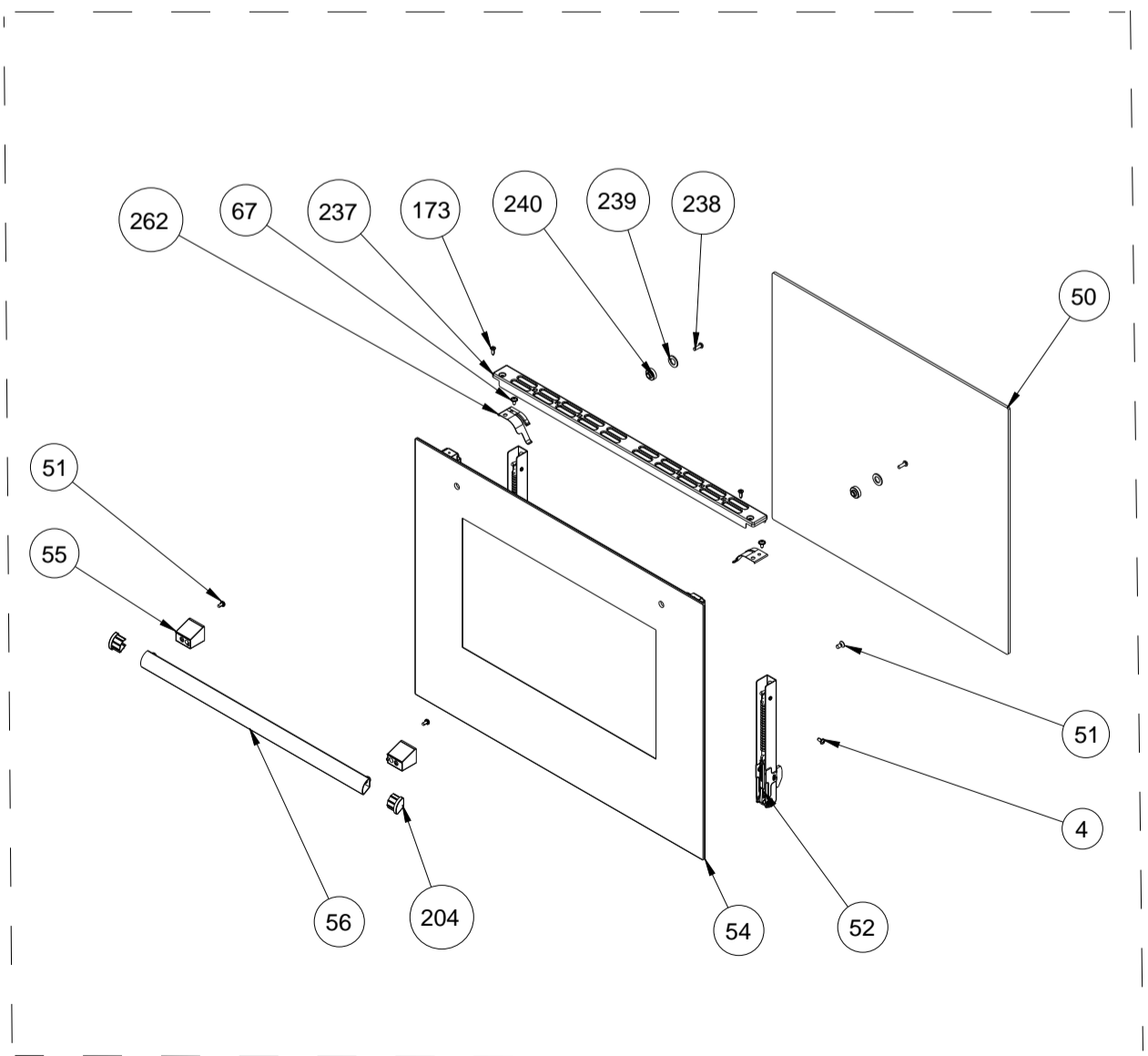
OVEN DOOR TOP PANEL PARTS
(OPTIONAL)



OVEN DOOR ASSEMBLY (OUTER & INNER)
(POSITION NO 378)



OVEN DOOR OUTER GLASS ASSEMBLY WITH
INOX ADD-ON TYPES (OPTIONAL)



FLAT OVEN DOOR WITH FULL GLASS STRUCTURE (POSITION NO 377)
(OPTIONAL)

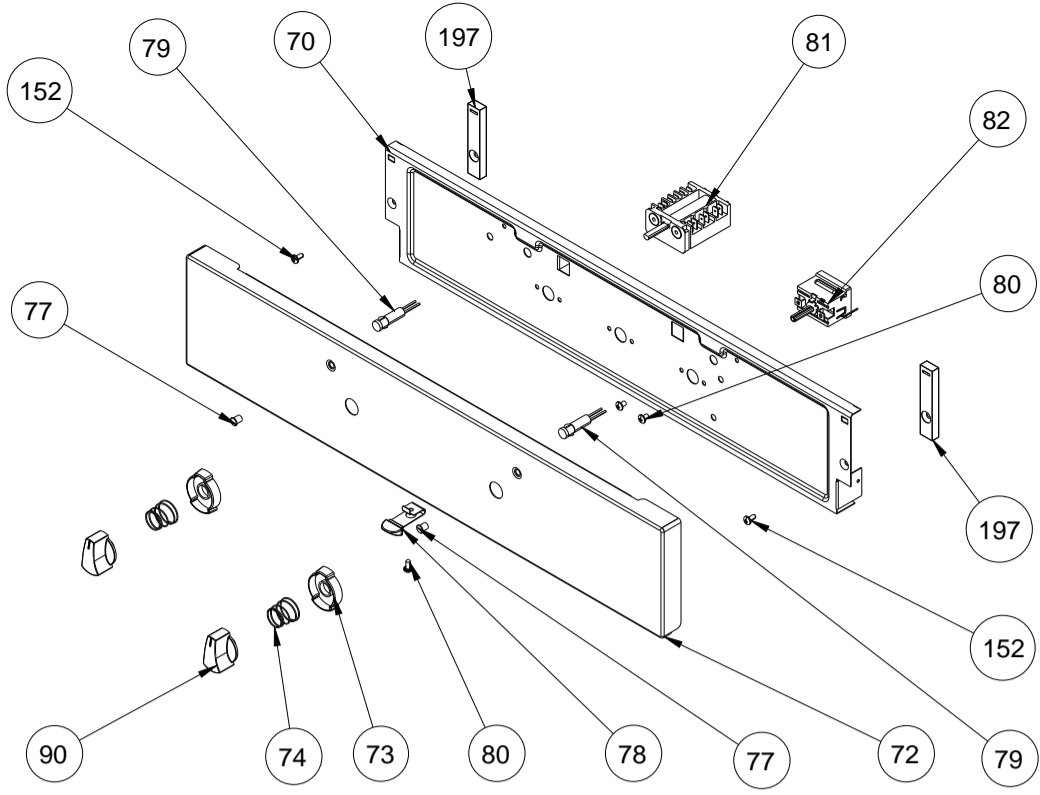
*Metal frames on outer glass, handle types, handle taps and brackets are optional. Your cooker may be different cosmetically.

OVEN DOOR OUTER GLASS ASSEMBLY PARTS

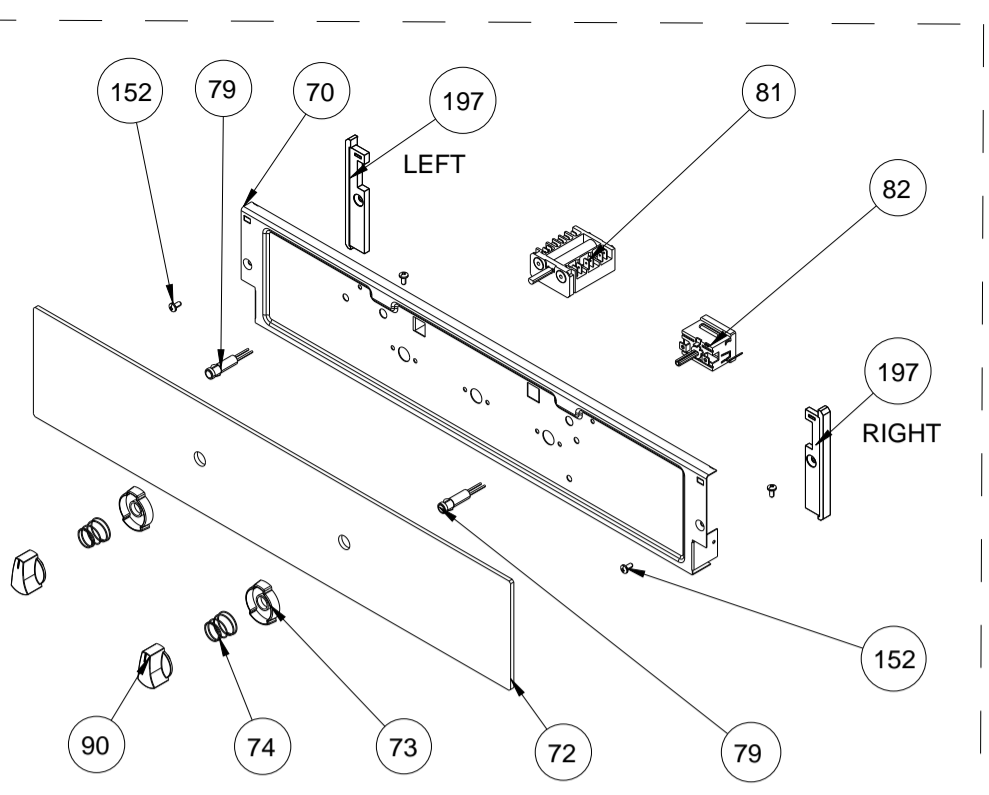
| POSITION NUMBER | PART NAME |
|-----------------|---|
| 4 | SCREW (KNURLED, 3.9*9.5, BLACK) |
| 49 | HANDLE ASSEMBLY GROUP |
| 50 | INNER GLASS ASSEMBLY |
| 51 | SCREW (CIRCULAR-HEAD, M5*10) |
| | SCREW (COUNTERSUNK-HEAD, M5*10, BLACK) |
| 52 | OVEN DOOR HINGE |
| 53 | OVEN DOOR HANDLE ASSEMBLY STUD |
| 54 | OUTER GLASS ASSEMBLY |
| 55 | HANDLE BRACKET / BRACKET WITH CAP |
| 56 | HANDLE BODY (ELLIPSE ARC, FLAT QUADRANGLE, ARC TUBE, FLAT SLICE, D PROFILE ARC, ARC QUADRANGLE, 3D QUADRANGLE, TRIO, METALUX, HANDLE WITHOUT FAN) |
| 67 | SCREW (3.9*9.5, SLIM HEAD) |
| 107 | GRADUAL WASHER |
| 173 | SCREW (COUNTERSUNK-HEAD, 3.9*13, BLACK) |
| 204 | HANDLE TAP |
| 211 | HANDLE ASSEMBLY GASKET |
| 220 | INTERVAL FRONT PANEL SPRING |
| 237 | DOUBLE GLAZED OVEN DOOR METAL TRIM |
| 238 | SCREW (COUNTERSUNK-HEAD, M5*18, BLACK) |
| 239 | HANDLE FIXING BUSH |
| 240 | SILICONE WASHER |
| 241 | SCREW (COUNTERSUNK-HEAD, 3,9*22, BLACK) |
| 261 | TOP PANEL PROFILES (RIGHT / LEFT) |
| 262 | REMOVABLE INNER GLASS SPRING (RIGHT / LEFT) |
| 377 | FLAT PROF. COMPLETE DOOR |
| 378 | SOLID TYPE OVEN DOOR ASSEMBLY |

“The exploded views given in this document are generic. They include all possible versions of the product. For specific part codes, please refer to the bom list of regarding model.”

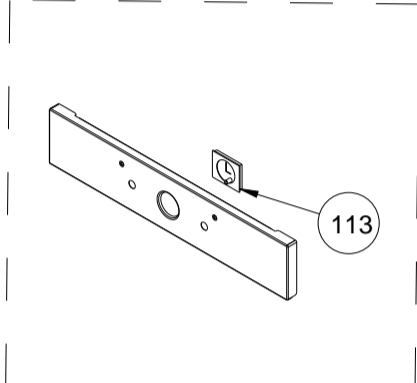
*Metal frames on outer glass, handle types, handle taps and brackets are optional. Your cooker may be different cosmetically.



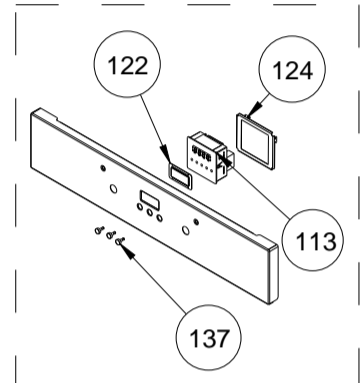
METAL CONTROL PANEL ASSEMBLY



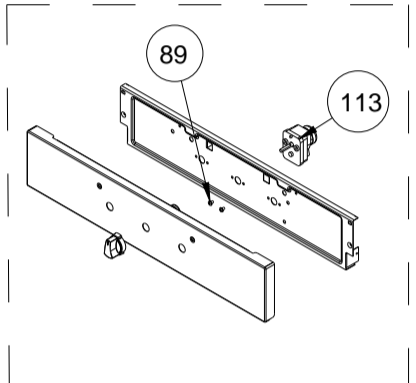
GLASS CONTROL PANEL ASSEMBLY (OPTIONAL)



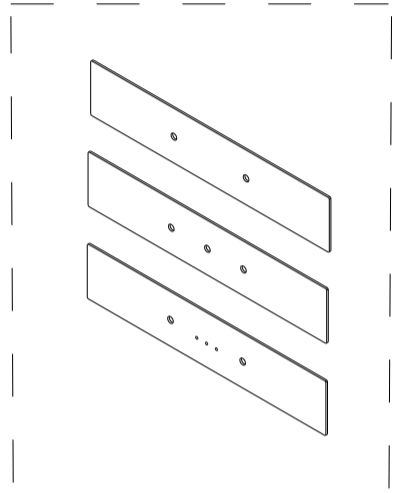
ANALOG TIMER (OPTIONAL)



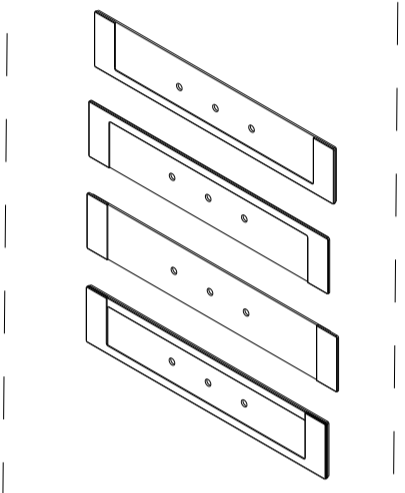
DIGITAL TIMER (OPTIONAL)



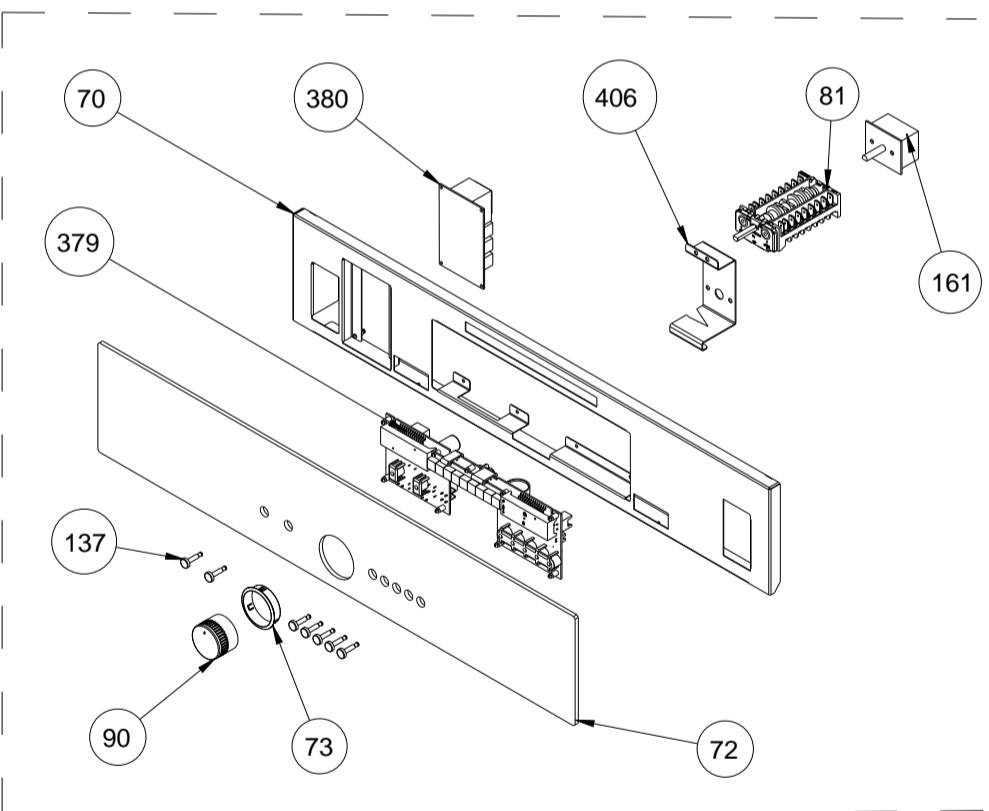
MECHANIC TIMER (OPTIONAL)



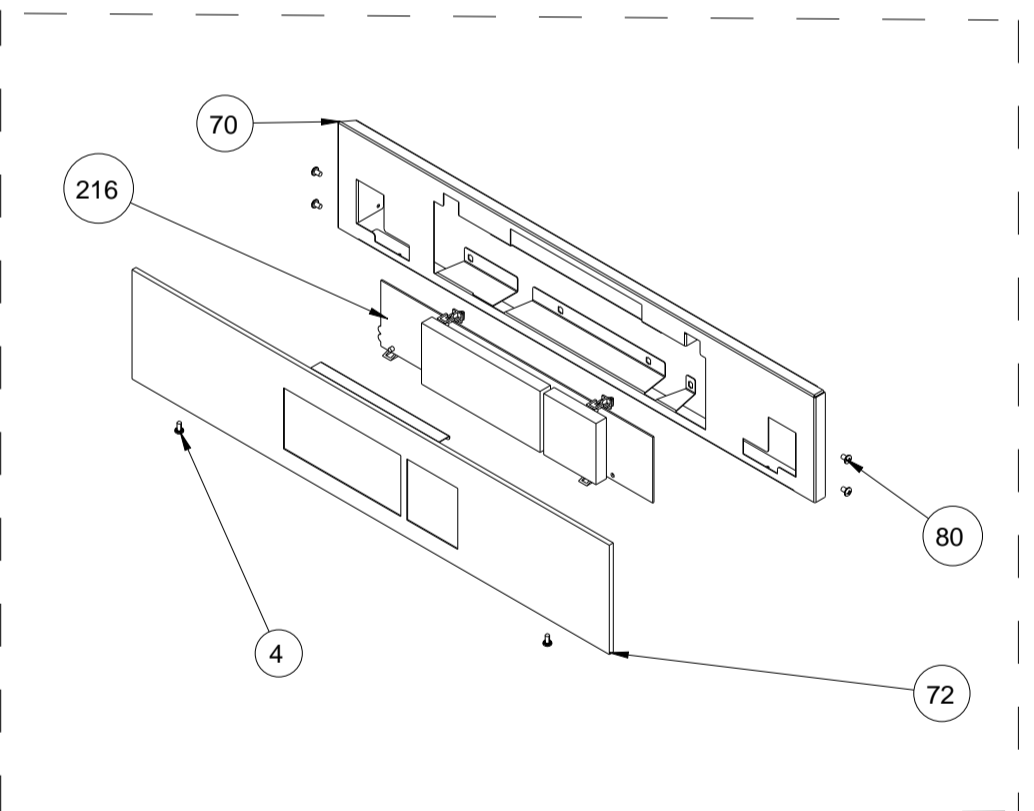
GLASS CONTROL PANELS (OPTIONAL)



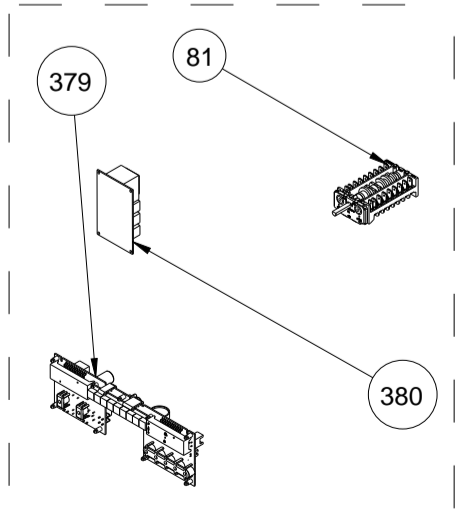
GLASS CONTROL PANELS WITH INOX ADD-ONS (OPTIONAL)



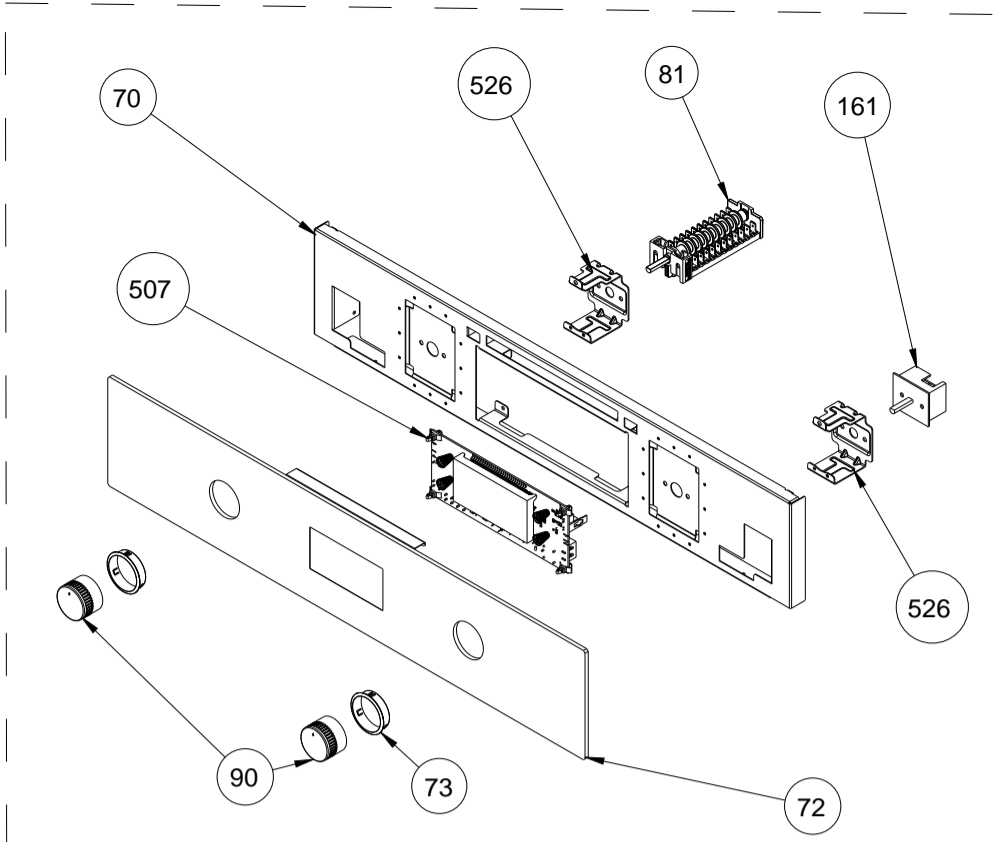
ELECTRONIC TIMERED GLASS CONTROL PANEL ASSEMBLY (OPTIONAL)



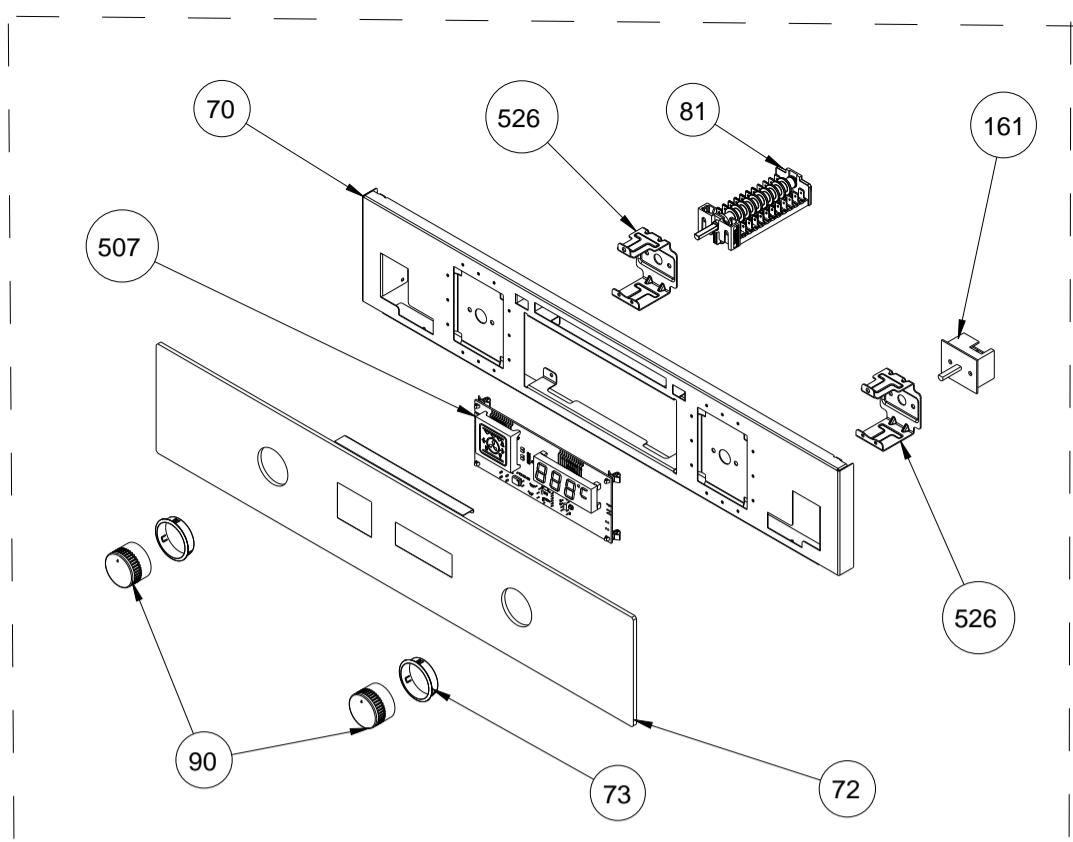
TOUCH CONTROLLED GLASS CONTROL PANEL ASSEMBLY (OPTIONAL)



OVEN ELECTRONIC CONTROL GROUP (POSITION NO 381)



VISIO TOUCH TIMERED GLASS CONTROL PANEL ASSEMBLY
(OPTIONAL)



VISIO DISPLAY TIMERED GLASS CONTROL PANEL ASSEMBLY
(OPTIONAL)

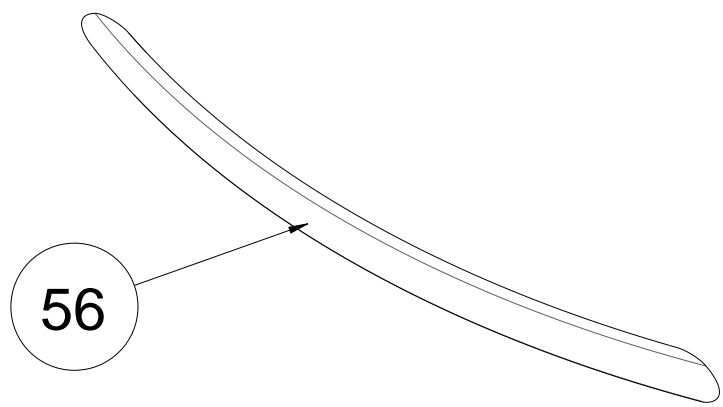
CONTROL PANEL ASSEMBLY PARTS

| POSITION NUMBER | PART NAME |
|-----------------|--|
| 4 | SCREW (KNURLED, 3.9*9.5) |
| 70 | INNER PANEL |
| 72 | FRONT PANEL GROUP (GLASS / METAL) |
| 73 | KNOB RING |
| 74 | KNOB SPRING |
| 77 | SIGNAL LAMP LENS |
| 78 | CHILD LOCK |
| 79 | SIGNAL LAMP BODY |
| 80 | SCREW (KNURLED, M4*6) |
| 81 | FUNCTION SELECTOR SWITCH |
| 82 | CAPILLARY THERMOSTAT |
| 89 | SCREW (M4*10) |
| 90 | KNOB - ELECTRICAL |
| 113 | TIMER (MECHANIC / DIGITAL / ANALOG) |
| 122 | DIGITAL TIMER LENS (BUILT-IN / FS) |
| 124 | TIMER HOLDER (ONLY FOR METAL PANEL) |
| 137 | TIMER BUTTON |
| 152 | SCREW (4*8) |
| 161 | ENCODER POWER SWITCH WITH 10 DEGREES |
| 197 | INNER PANEL (RIGHT / LEFT) SIDE ADDITION |
| 216 | TOUCH CONTROL UNIT (OVEN) |
| 379 | OVEN CIRCUIT |
| 380 | MAIN POWER CARD |
| 381 | OVEN ELECTRONIC CONTROL GROUP |
| 406 | POWER SWITCH SUPPORT |
| 507 | VISIO CONTROL WITH TOUCH INTERFACE(RED) |
| 526 | POP IN ASSEMBLY BRACKET (BUILT-IN) |

“The exploded views given in this document are generic. They include all possible versions of the product.

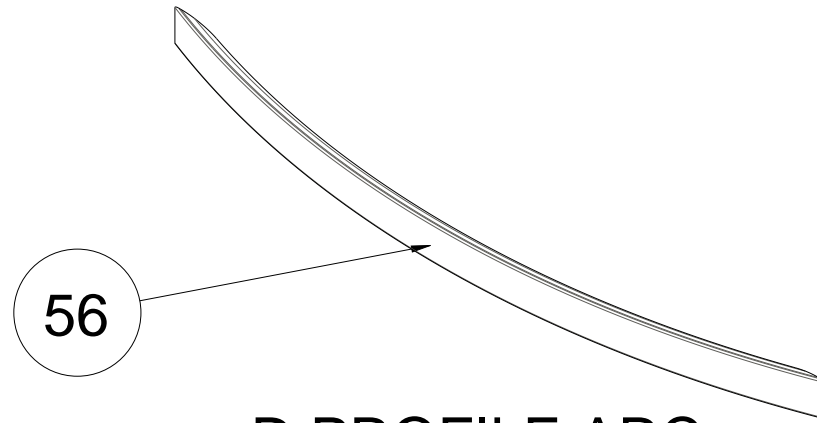
For specific part codes, please refer to the bom list of regarding model.”

OVEN DOOR HANDLES (OPTIONAL)
HANDLES WITHOUT TAP & BRACKET



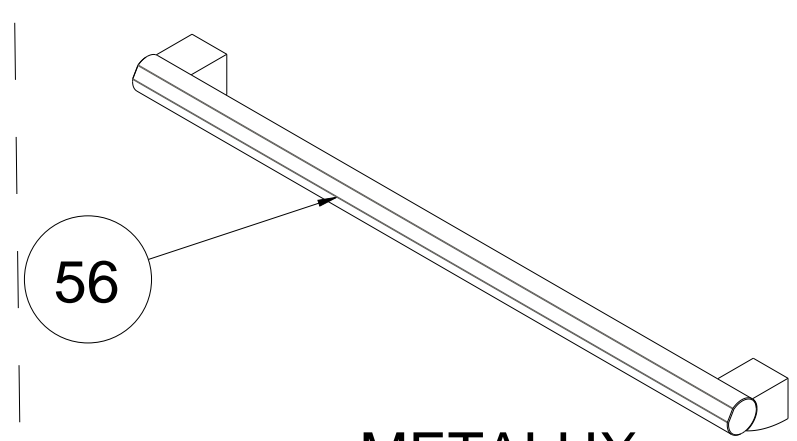
56

ELLIPSE ARC



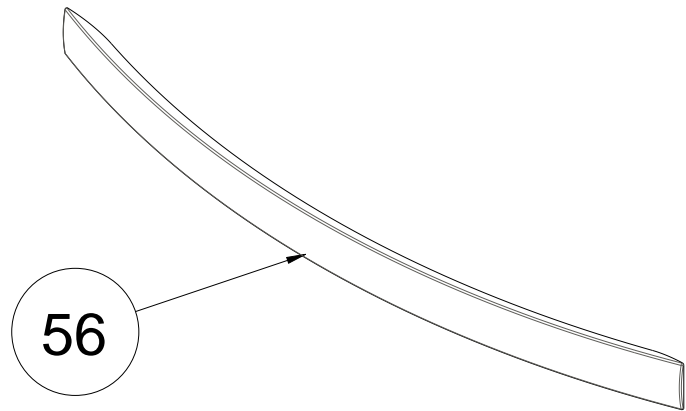
56

D PROFILE ARC



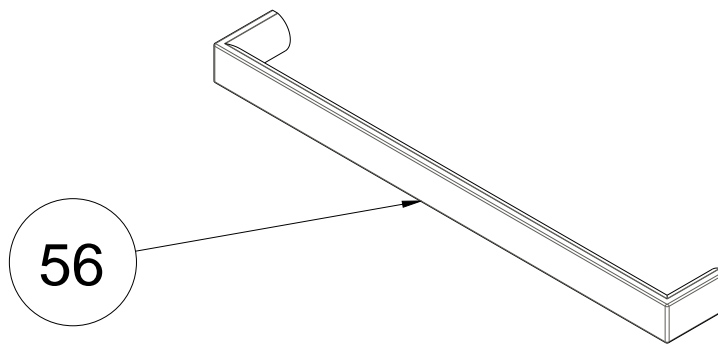
56

METALUX



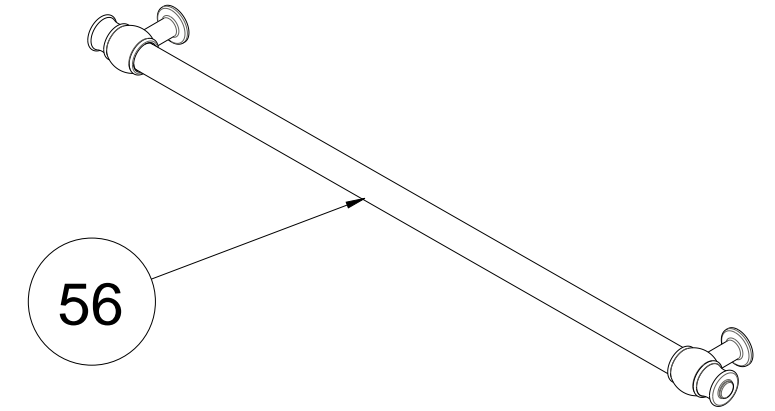
56

D PROFILE ARC, ELECTROLUX
(ONLY FOR FS - OPTIONAL)



56

FNP (ONLY FOR BUILT-IN -
OPTIONAL)

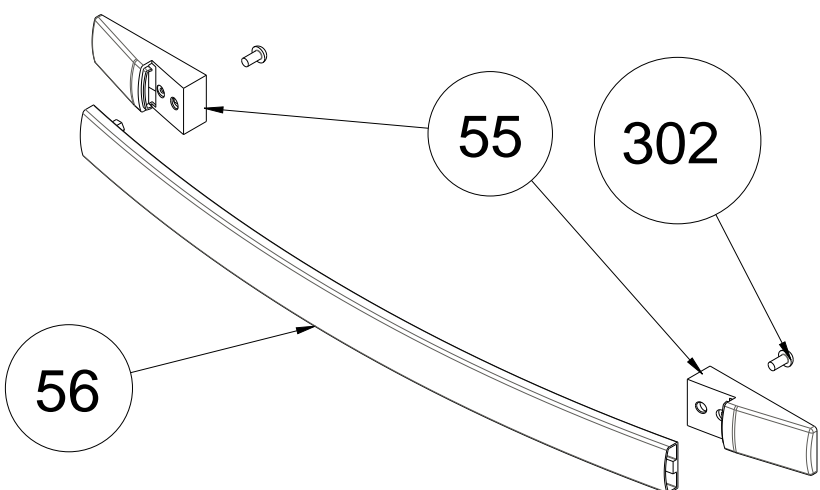


56

RUSTIC

HANDLES WITH BRACKET

HANDLES WITH TUNNEL TAP

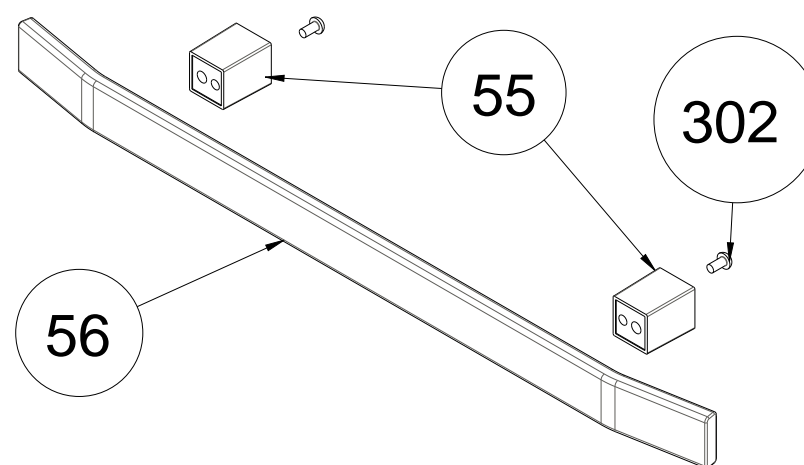


56

55

302

ARC QUADRANGLE

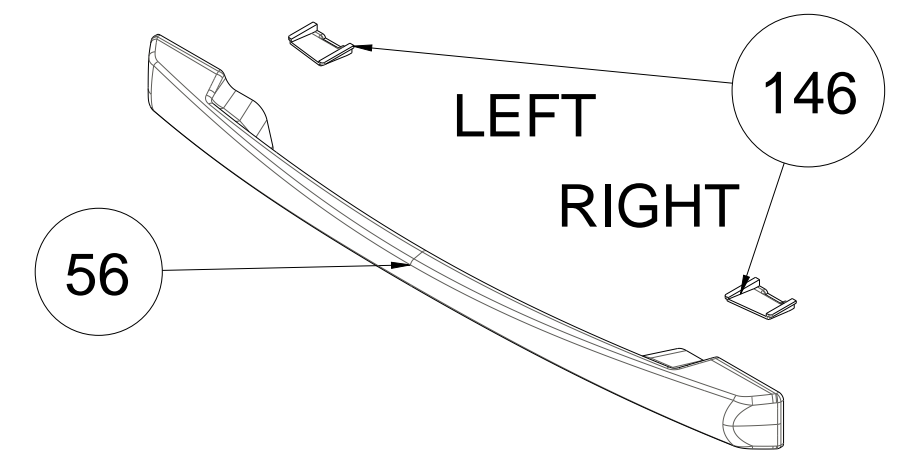


56

55

302

3D QUADRANGLE (ONLY FOR
FS/ NEW G/ BUILT-IN - OPTIONAL)



56

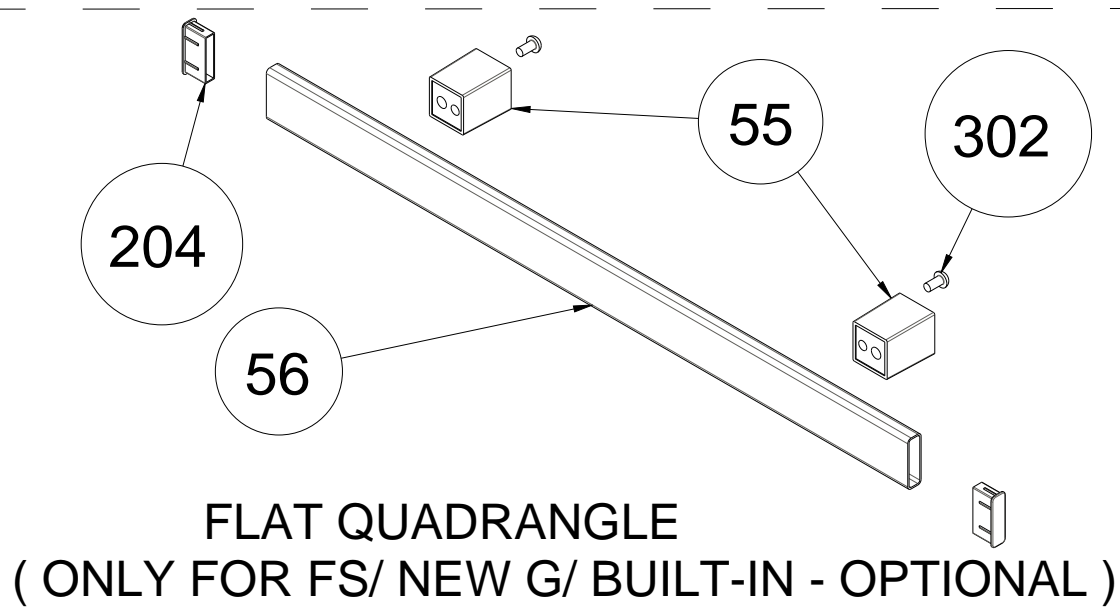
LEFT

RIGHT

146

NO FAN TYPE (ONLY FOR
BUILT-IN - OPTIONAL)

HANDLES WITH TAP & BRACKET



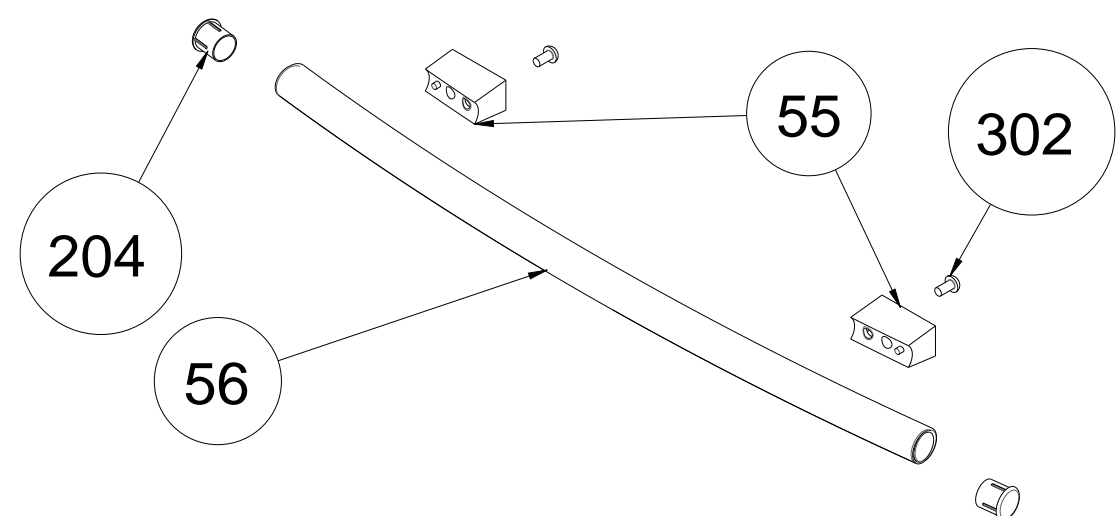
204

56

55

302

FLAT QUADRANGLE
(ONLY FOR FS/ NEW G/ BUILT-IN - OPTIONAL)



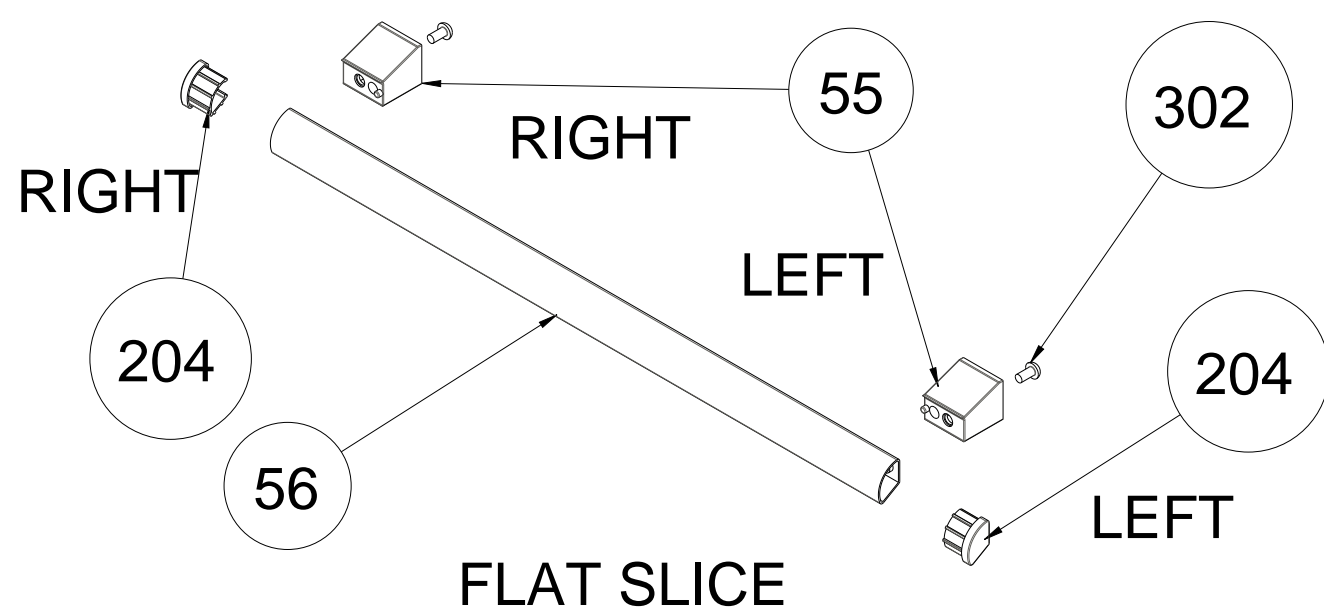
204

56

55

302

ARC TUBE



RIGHT

204

56

RIGHT

55

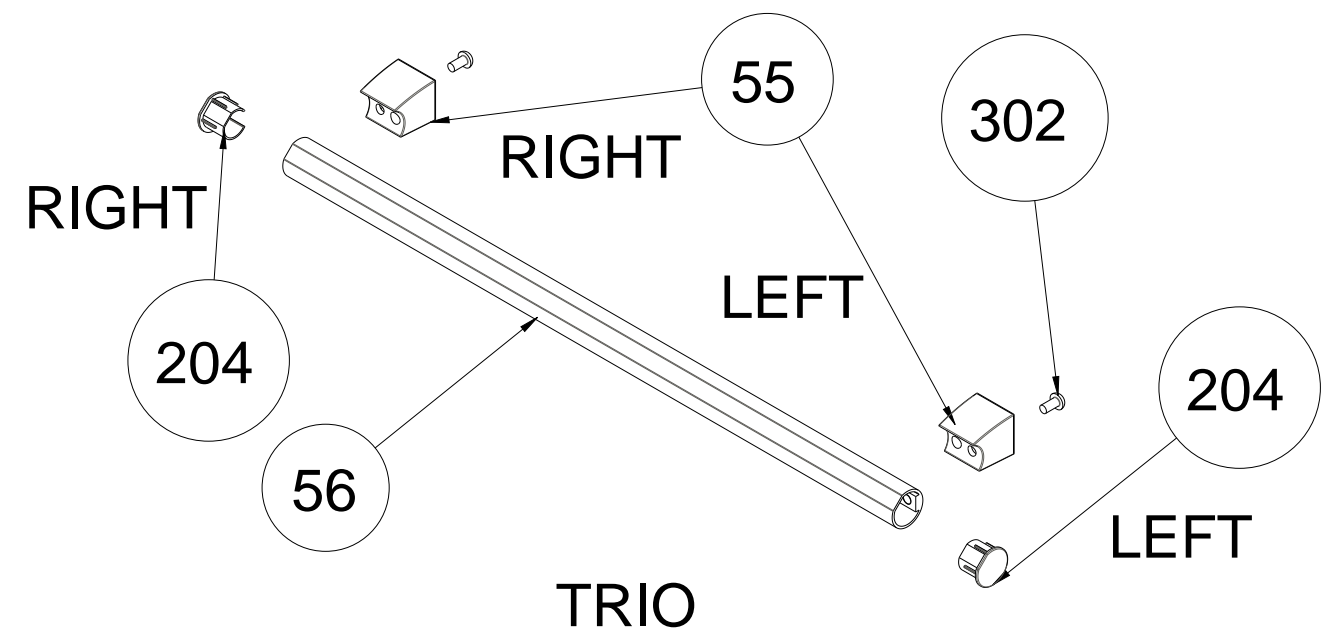
302

LEFT

204

LEFT

FLAT SLICE



RIGHT

204

56

RIGHT

55

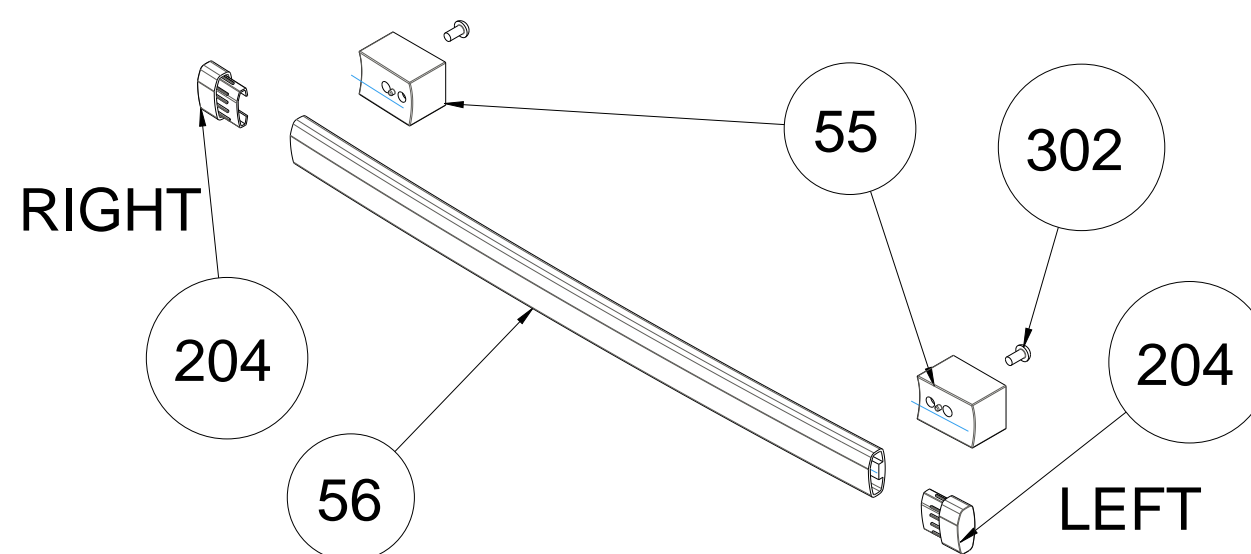
302

LEFT

204

LEFT

TRIO



RIGHT

204

56

55

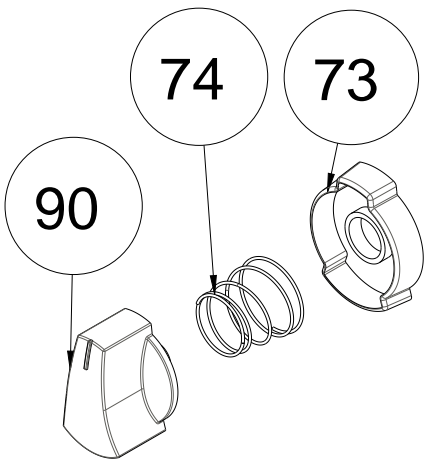
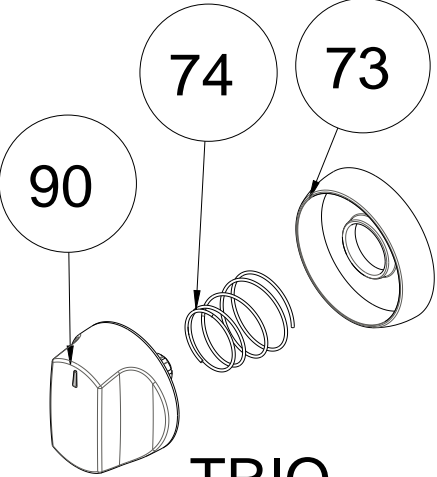
302

204

LEFT

CURVED QUADRANGLE

KNOBS (ONLY FOR BUILT-IN - OPTIONAL)

| | | | | | |
|---|---|--|--|--|---|
|  <p>90</p> <p>DELTA</p> |  <p>90 74 73</p> <p>DELTA RING</p> |  <p>90</p> <p>ALFA</p> |  <p>90</p> <p>GAMA</p> |  <p>90</p> <p>ZETA</p> |  <p>90 74 73</p> <p>SIGMA(SMALL)</p> |
|  <p>90 74 73</p> <p>TRIO</p> |  <p>90</p> <p>CANDY</p> |  <p>90</p> <p>ECLIPSE</p> |  <p>90</p> <p>RUSTIC RISUS</p> |  <p>90</p> <p>BIG MACRO</p> |  <p>90</p> <p>SMALL MACRO</p> |
|  <p>90</p> <p>VESTA</p> |  <p>90</p> <p>JANNU</p> |  <p>90</p> <p>NORD</p> |  <p>90 74 73</p> <p>OMEGA</p> |  <p>90 74 73</p> <p>EPSILON</p> |  <p>90 74 73</p> <p>GAMA RING</p> |
|  <p>90 74 73</p> <p>ECLIPSE RING</p> |  <p>90 74 73</p> <p>SPECTRUM</p> |  <p>90 74 73</p> <p>RIMO</p> |  <p>90</p> <p>VARIO</p> |  <p>90 74 73</p> <p>ANTERO</p> |  <p>90</p> <p>POP-IN</p> |