



Philips Domestic Appliances and Personal Care

Service Manual

PRODUCT INFORMATION

- This product meets the requirements regarding interference suppression on radio and TV.
- After the product has been repaired, it should function properly and has to meet the safety requirements as officially laid down at this moment.

TECHNICAL INFORMATION

- Colour : Black
- Power consumption : 1800 W (IEC) 230V
- Maximum Air displacement : 37 l/s
- Vacuum : 285 mbar / 28.5 kPa
- Duststorage capacity : 2 L
- Cord length : 9 m
- Filter system : HEPA cyclone-filtration system
: Permanent motor protection filter
: Super Clean Air HEPA12 exhaust filter
- Dimensions of cleaner : 470 x 320 x 340 mm
- Dimensions of packaging : 590 x 390 x 380 mm
- Net weight : 7.2 kg

ACCESSORIES

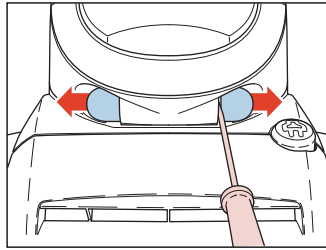
- Special nozzle : Turbo Brush nozzle
- Nozzle : Tri-Active all purpose nozzle
- Tubes : Metal lacquered telescopic tubes
- Accessories : Brush, crevice nozzle and small nozzle
- Accessory storage : Active accessory storage bridge in handgrip
- Coupling : Button coupling

OPTIONAL (accessories)

- FC 8030 : Super Clean Air filter, High-Flow AFS exhaust filter
- FC 8031 : Super Clean Air HEPA filter, HEPA12 exhaust filter

DISASSEMBLY- AND RE-ASSEMBLY ADVISE

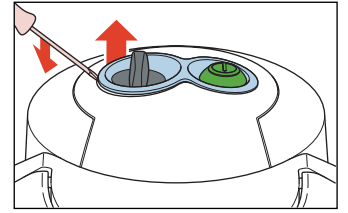
- To open the appliance first remove the filter cover (item 31) and then remove the 5 screws from the appliance.
- To remove the hinge, first remove the end caps (item 16) this can be done with a screwdriver, see picture.
- When the end caps are removed, the hinging pin can be removed.
- When this is done the hinge can be taken off the appliance.
- Remove the can with the filters.
- To remove the housing (7 screws) you will require for some screws a screwdriver with a 14.5 cm long shank for this. Screwdriver 4322 009 08490 for T15 can be used.
- When the repair is finished, check whether all functions of the appliance work properly.
- To disassemble the cord winder, use TORX screwdriver no. T10, which is one of a set consisting of T20; T15; T10; T9; T8; T7 and T6 (code number 4822 395 505145)



FC9206

Further disassembly advise for the hinge:

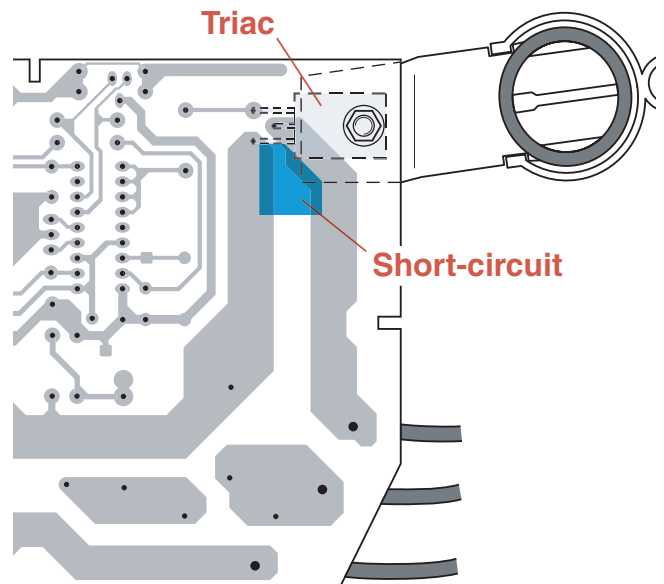
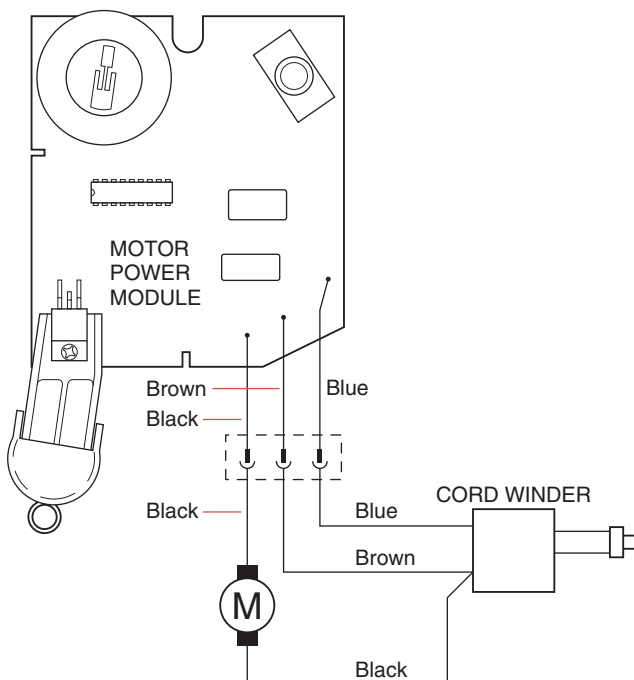
- The chromium ornamental plate can be removed with a screwdriver (see picture) after that the min/max button and the On/Off button can be removed from the plate.
- Remove the screw (B) underneath the ring with a T15 screwdriver; the orange user panel (item 4) can be removed.
- Choke assy can be taken out.
- PCB can be removed.
- To remove the sealing disk and the detector with the spring you have to remove the 2 screws (C) next to the sealing disk.



REPAIR INSTRUCTION

- If the reel half spring unit is replaced, shaft L must be lubricated with silicone grease. Do not apply any silicone grease to or spill any grease on terminals (item 46) or conductors (item 47).
- The cord winder spring must be tensioned to the maximum level and the be rewound approx 1.5 turn.
- Item 5, air valve, opens to cool the motor if the air displacement is too low or if the airflow is blocked.
- If the function of the electronic control unit is not required, the Triac must be short-circuited in the manner shown in the circuit diagram.

ELECTRICAL DIAGRAM



PARTS LIST

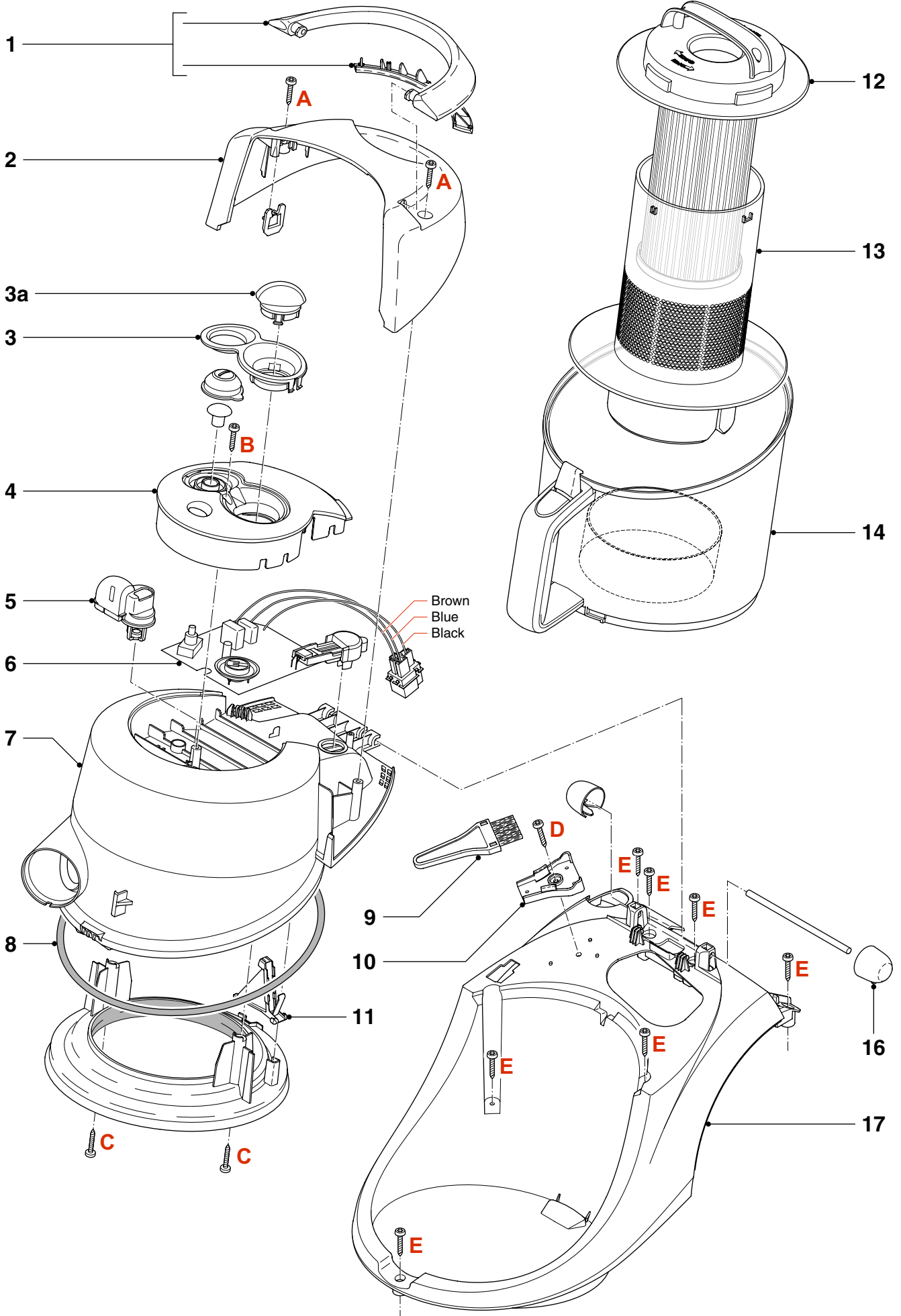
FC9206

Pos	Service code	Description
1	4322 005 18630	Handle assy black
2	4322 003 25670	Hinge back black
3	4322 005 17720	Ornamental plate chromium
3a	4322 003 25230	Turn Knob soft touch
4	4322 005 17930	User panel pr. Animal Care
5	4322 005 17500	Choke valve assy
6	4322 006 22770	PCB assy 220/240 V 50/60 Hz
7	4322 005 17730	Hinge front pr. black
8	4322 001 73370	Bucket sealing
9	4322 004 20130	Filter brush
10	4322 003 26010	Brush holder black
11	4322 005 17610	Detector assy
12	4322 005 17520	Permanent filter
13	4322 003 25130	Tower bltr. apricot
14	4322 005 18640	Bucket assy black
15	4322 006 22880	Wire beam assy
16	4322 003 25310	End caps s. grey
17	4322 005 17900	Upper black pr.
18	4322 000 38800	Motor inlet filter
19	4322 003 23250	Inletsealing airchanel
20	4322 003 25030	Air chanel grey
21	4322 000 09750	Pedal spring
22	4322 001 73430	Rubber bump
23	4322 003 24400	Backpanel odyssey grey
24	4322 003 25010	Cord outlet grey
25	4322 003 25000	Bumper grey
26	4322 003 25040	Bucket hook left grey
27	4322 003 25050	Bucket hook right grey
28	4322 003 24950	Lowerhousing grey
29	4322 005 17510	Caster assy
30	4322 003 25080	Filter cover lock l. grey

Pos	Service code	Description
31	4322 003 25630	Filter cover black
32	4322 004 92920	Hepa filter phoenix
33	4322 001 73460	Exhaust sealing
34	4322 000 38790	Silencer 4 wall backpanel
35	4322 003 25460	S-Class h. sealing
36	4322 000 38760	Silencer 1 wall
37	4322 000 38770	Silencer 2 bottom
38	4322 003 25390	Inlet sealing 1
39	4322 003 25360	Motor housing top grey
40	4322 001 73440	Motor buffer front
41	4322 006 97670	Motor A 1451 230 V
42	4322 000 38780	Silencer 3 compas
43	4322 001 73450	Motor buffer back
44	4322 003 25370	Motor housing bottom
45	4322 005 18670	Reel half spring unit
46	4322 005 17430	Reelh. cordside assy
47	4322 005 17910	Contact plate assy
48	4322 006 01720	U.K. / H.K. L = 9.3 m
49	4322 006 01410	Euro 4.8 mm pins L = 9.3 m
50	4322 003 25510	Curve bend a1
51	4322 005 17570	Curve bend a1/conical hose
51a	4322 004 20090	Conical hose assy
52	4322 007 31640	Leaf spring assy
53	4322 004 22510	Telescopic tube silver
54	4322 001 99120	Coupling bush
55	4322 007 45550	Coupling spring
56	4341 004 20510	Plumeau assy
57	4322 003 25560	Crevice nozzle 140 mm
58	4322 005 17590	Accessory bridge assy
59	4341 004 20490	Small nozzle
60	4322 004 23200	Tri-active nozzle
61	4322 004 22960	Turbo brush nozzle

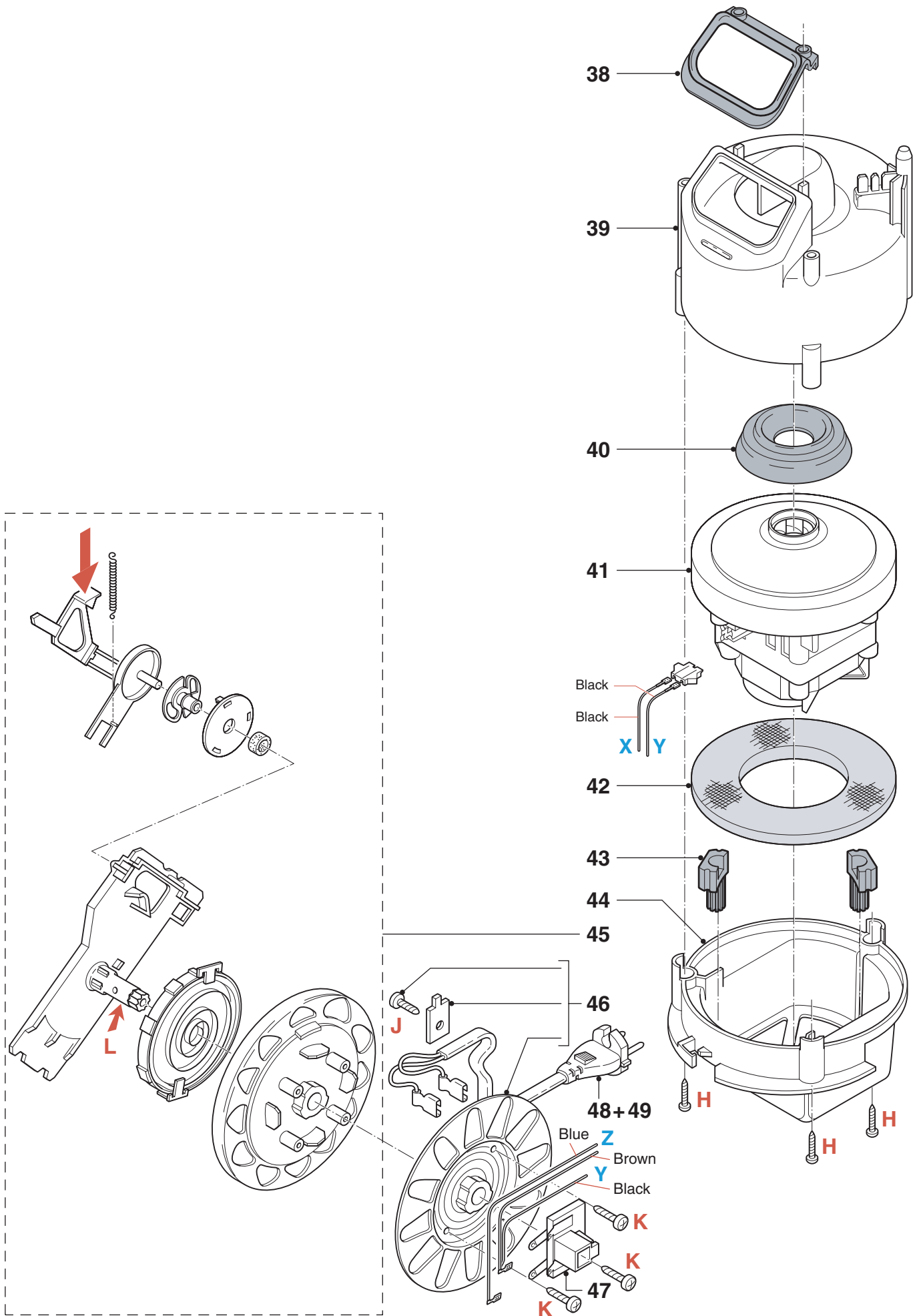
EXPLODED VIEW

FC9206



EXPLODED VIEW

FC9206



EXPLODED VIEW

FC9206

