



Philips Consumer Lifestyle

Service Manual

PRODUCT INFORMATION

Design

- Color : Deep black

Usability

- Tube type : Metal 2-piece telescopic tube
- Handgrip : Ergonomic grip with air slider
- Tube coupling : SmartLock
- Action radius : 11.0 m
- Cord length : 8.0 m
- Carrying handle : Top and front
- Dust bag full indicator
- Park or storage assist : Vertical and horizontal
- Power control : Electronic on appliance
- Wheel type : Rubber

Filtration

- Dust bag type : S-bag Ultra Long Performance
- Dust capacity : 5 l
- Exhaust filter : HEPA 12 with Airseal
- HEPA AirSeal
- Motor filter : Triple layer

Safety

- This product meets the requirements regarding interference suppression on radio and TV.
- After the product has been repaired, it should function properly and has to meet the safety requirements as officially laid down at this moment.

TECHNICAL INFORMATION

Performance

- Noise level (Lc IEC) : 79 dB
- Airflow (max) : 51 l/s
- Input power (IEC) : 1800 W
- Input power (max) : 2200 W
- Suction power (max) : 500 W
- Vacuum (max) : 36 kPa

Weight and dimensions

- Dimensions of product : 500 x 310 x 300 mm (L x W x H)
- Weight of product : 5.4 kg

ACCESSORIES

- Standard nozzle : TriActive+ nozzle
- Accessories : Crevice tool, 2-in-1 Brush/Small nozzle
- Accessory storage : On tubeclip

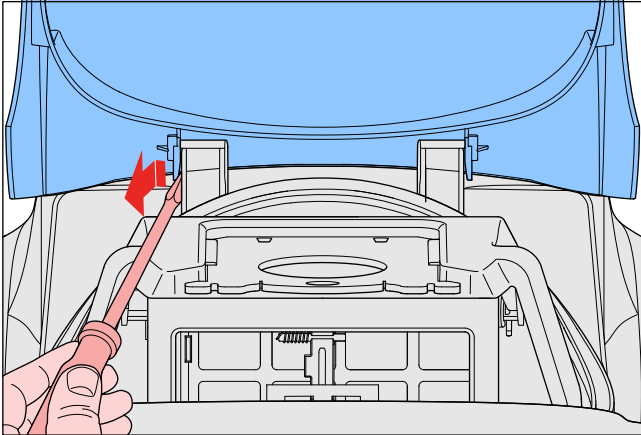
OPTIONAL (accessories)

- No specific issues

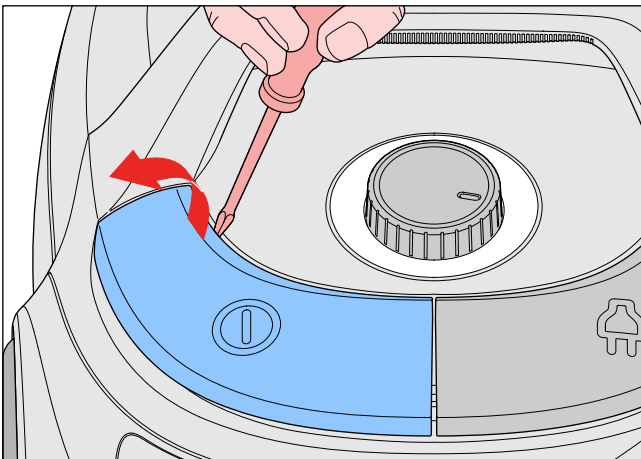
DISASSEMBLY- AND RE-ASSEMBLY ADVISE

FC9190/01

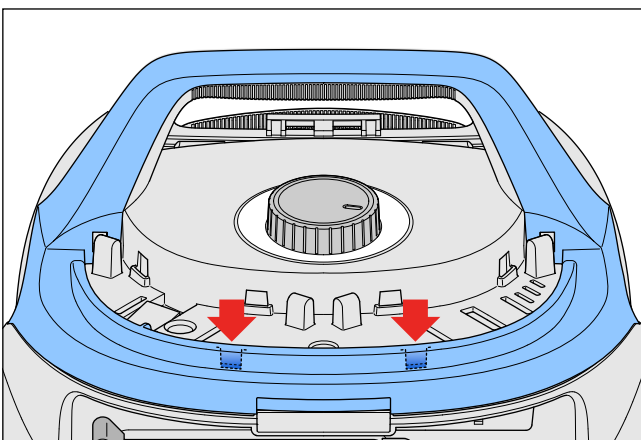
- To open the appliance, first remove outlet grill (28) and exhaust filter (7).
- Remove Dustcover (1) using a screwdriver (see picture).



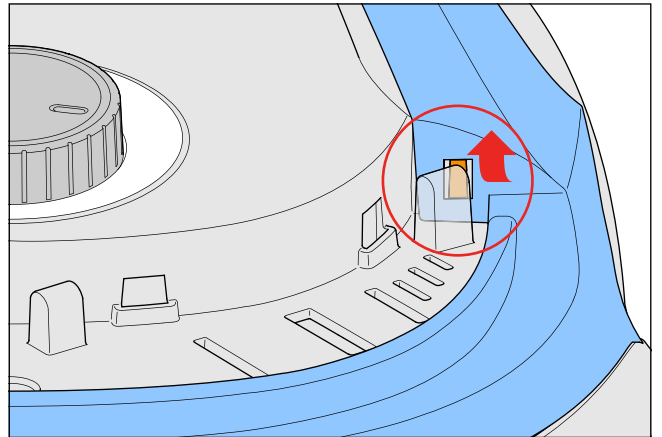
- To reach the inner parts for repair you must first remove the Top housing with its attached parts.
- Remove On/Off button (5) and cordwinder button (6), this can be done with a screwdriver (see picture).



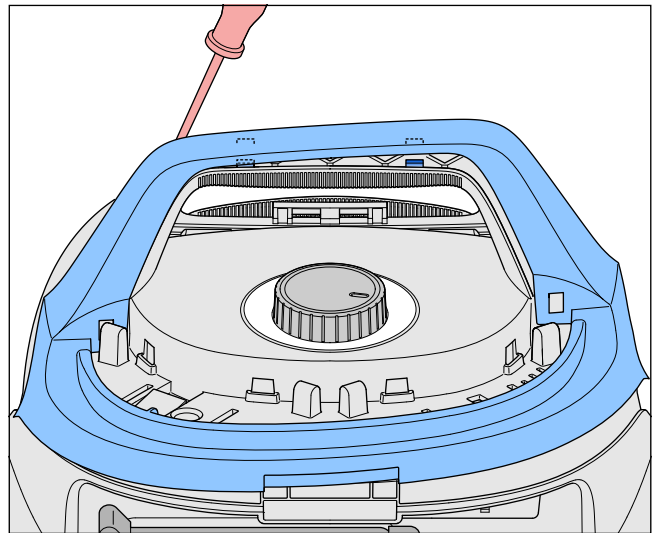
- To remove Handle cover (8) first release the 2 snap connections on the backside (see picture).



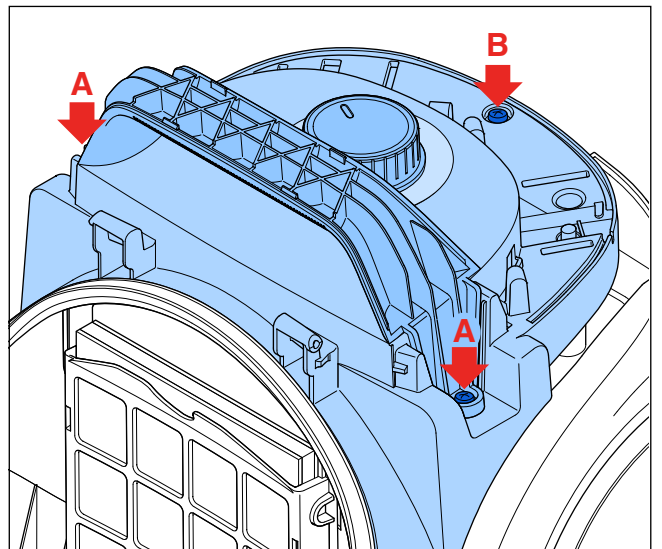
- Then with a small screwdriver lift the Handle cover over the nock on the Top housing (see picture).



- Now you can with a screwdriver remove the complete Handle cover from the housing (see picture).



- Remove the 2 screws A which hold Handle (9) and screw B (see picture).



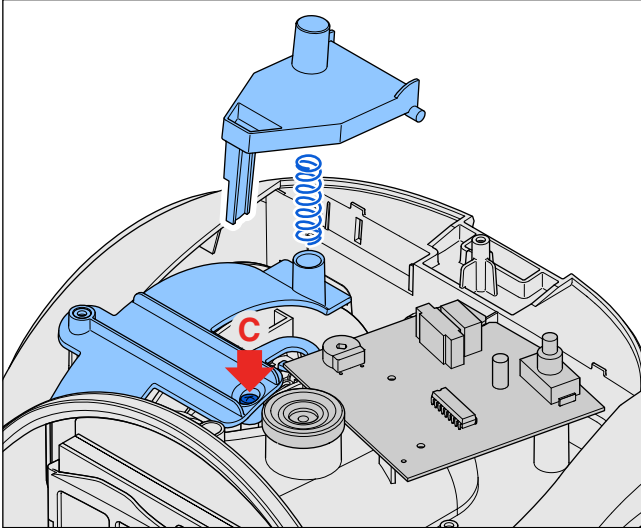
Remark:

When assembling the Top housing check that Turn knob (11) is in the correct position relative to the position of the potmeter on the PCBA.

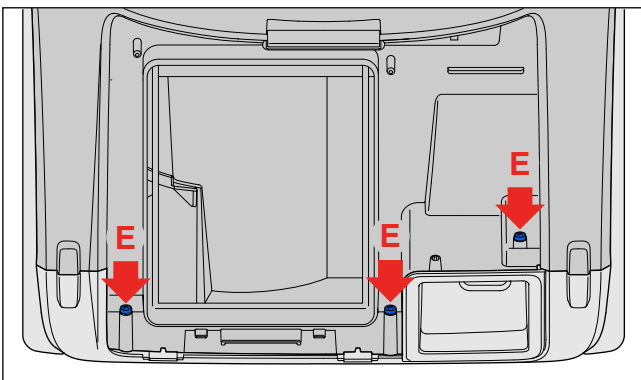
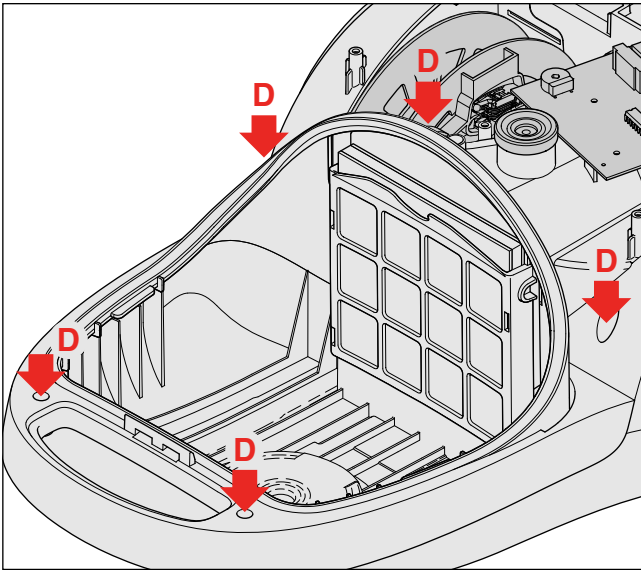
DISASSEMBLY- AND RE-ASSEMBLY ADVISE

FC9190/01

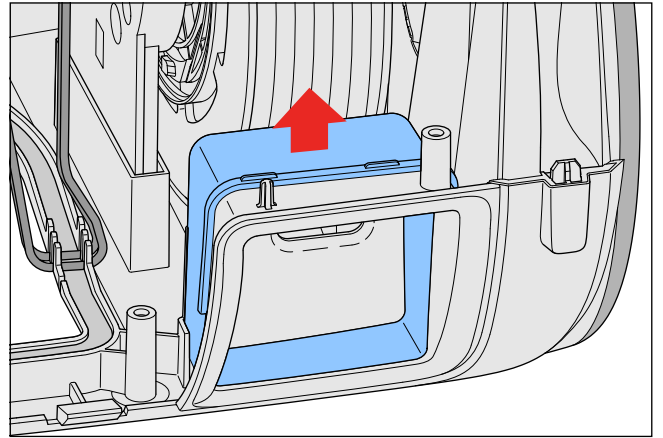
- When the Motor and/or Cordwinder have to be replaced the Upper housing (17) must be removed.
- First remove Brake lever (13) and the spring than remove screw C so you can remove cordwinder cover (14). Take care that the spring does not fall into the appliance! (see picture).



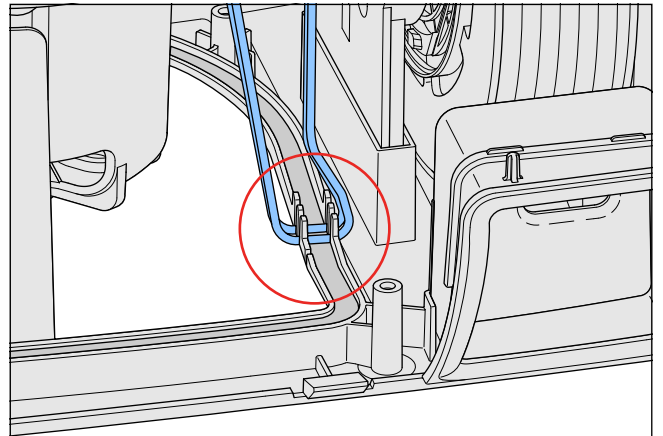
- After removing the 5 screws D and 3 screws E on the back side, the Upper housing can be separated from the Lower housing (see pictures).



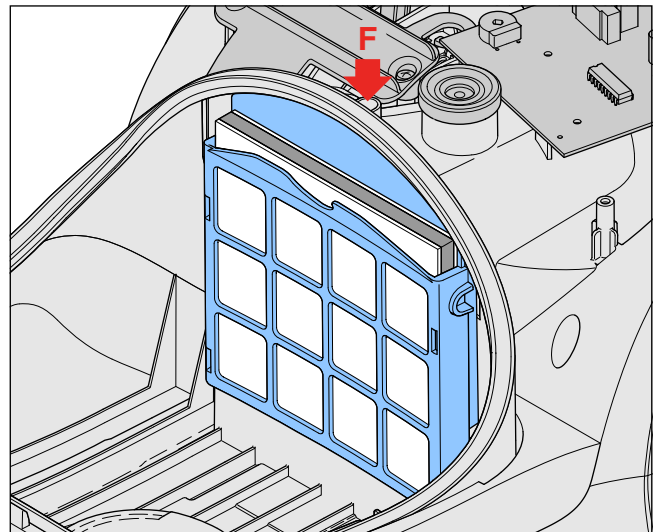
- When replacing the Cordwinder (21) the Lower housing insert (19) needs to be removed. Move the Lower housing insert upwards so the cordwinder can easily be removed (see picture).



- When assembling take care that the wires from motor to cordwinder are correctly fixed (see picture).

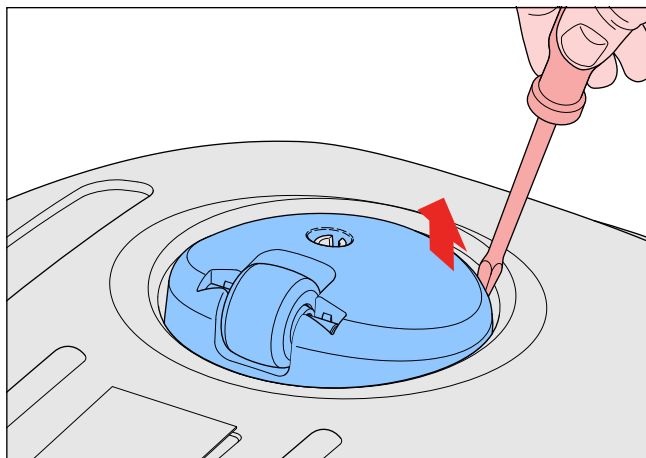


- The frame that holds Triple filter (18) is attached to the Upper housing, to remove the frame remove screw F (see picture).

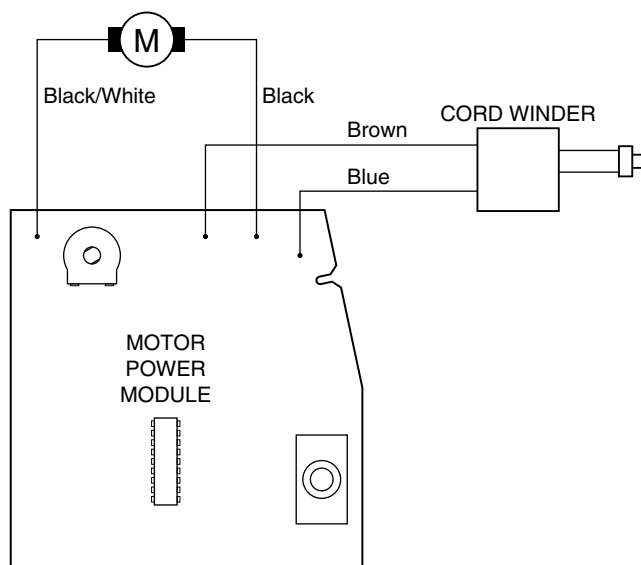


DISASSEMBLY- AND RE-ASSEMBLY ADVISE

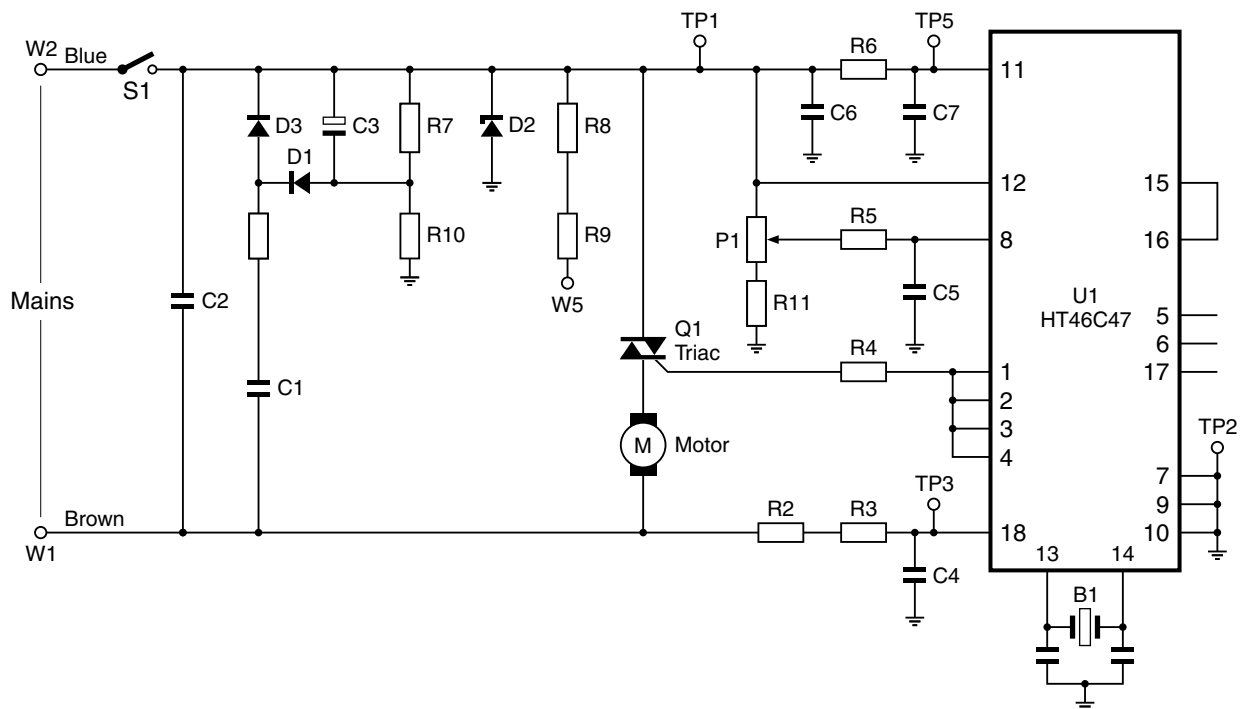
- To replace Caster assy (4) turn the appliance upside down, push the Caster assy with a screwdriver up and pull it out (see picture).



WIRING DIAGRAM



CIRCUIT DIAGRAM



Pos	Service code	Description	Remark
1	4322 009 0065 I	Dust cover	Deep black unprinted
2	4322 009 0068 I	DBFI assy	
3	4322 003 4680 I	Dustbag holder	Deep black 8023 I
4	4322 005 3343 I	Caster assy	
5	4322 003 4667 I	On/Off pedal	Deep black 8023 I
6	4322 003 4668 I	Cordwinder pedal	Deep black 8023 I
7	4322 004 92925	HEPA filter	Phoenix
8	4322 003 4690 I	Handle cover	Deep black 8023 I
9	4322 003 4664 I	Top handle	
10	4322 003 4693 I	Top cover	Deep black 8023 I
11	4322 003 4665 I	Power control knob	Deep black 8023 I
12	4322 005 3366 I	Power control ring	Printed Silver Metallic
13	4322 003 4688 I	Brake lever	
14	4322 003 4669 I	Cordwinder cover	
15	4322 009 0070 I	Safety valve assy	
16	4322 006 2472 I	PCBA	Gulo HV
17	4322 003 4663 I	Upper housing	Deep black 8023 I
18	4322 000 3973 I	Triple Filter	
19	4322 003 4662 I	Lower housing insert	Deep black
20	4322 003 4661 I	Lower housing	Deep black
21	4322 005 3340 I	Cordwinder	8 m / 4.8 mm plug
22	4322 009 0069 I	Motor assy Service	
23	4322 000 3967 I	Silencer bottom	
24	4322 003 4687 I	Rearwheel lock	
25	4322 000 3971 I	Silencer top	
26	4322 000 3968 I	Silencer wall	
27	4322 003 4698 I	Rearwheel assy	Spoke
28	4322 003 4666 I	Exhaust grill	
29	4322 003 4676 I	Exhaust grill lock	
30	4322 001 7529 I	Exhaust seal	
31	4322 004 2463 I	Curved bend assy	Deep black
32	4322 004 2462 I	2 T.T. Tube	85 cm Cobra SmartLock
33	4322 004 2465 I	Accessory holder assy 3	
34	4322 004 2479 I	Tri-Active nozzle +	Deep black SmartLock
35	4322 005 3377 I	Hose swivel assy	

EXPLODED VIEW

FC9190/01

