



Philips Domestic Appliances and Personal Care

Service Manual

PRODUCT INFORMATION

- This product meets the requirements regarding interference suppression on radio and TV.
- After the product has been repaired, it should function properly and has to meet the safety requirements as officially laid down at this moment.

TECHNICAL INFORMATION

- Colour : Dark Demin
- Power consumption : 1800 W (IEC) 230V
- Maximum Air displacement : 40 l/s
- Vacuum : 290 mbar / 29.0 kPa
- Type number dustbag : FC8021
- Duststorage capacity : 4 L
- Cord length : 9 m
- Filter system : Double layered compatible s-bag™
: 3 layer permanent motor protection filter
: Ultra Clean Air HEPA13 exhaust filter
- Dimensions of cleaner : 472 x 324 x 276 mm
- Dimensions of packaging : 593 x 393 x 296 mm
- Net weight : 6.3 kg

ACCESSORIES

- Nozzle : Tri-Active all purpose nozzle
- Tubes : Metal lacquered telescopic tubes
- Accessories : Brush, crevice nozzle and small nozzle
- Accessory storage : Active accessory storage bridge in handgrip
- Coupling : Button coupling

OPTIONAL (accessories)

- FC 8021 : S-bag Classic
- FC 8022 : S-bag Clinic
- FC 8023 : S-bag Anti-Odour
- FC 8024 : S-bag Long Performance
- FC 8030 : Super Clean Air filter, High-Flow AFS exhaust filter
- FC 8031 : Super Clean Air HEPA filter, HEPA12 exhaust filter

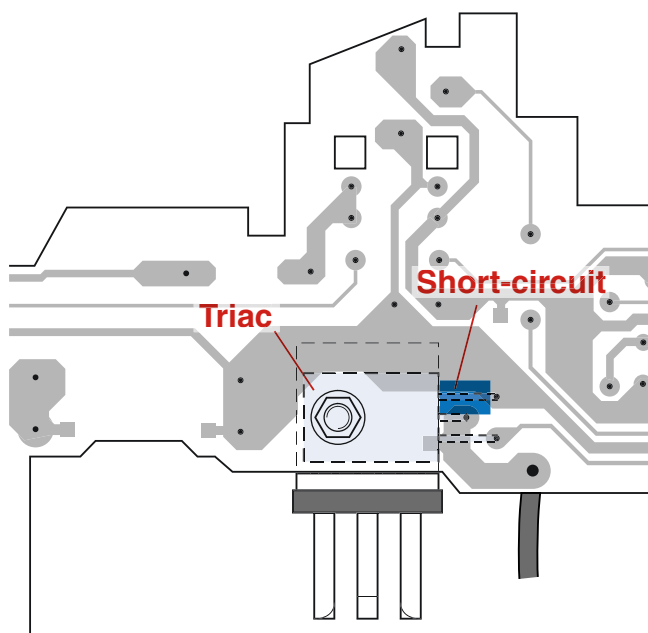
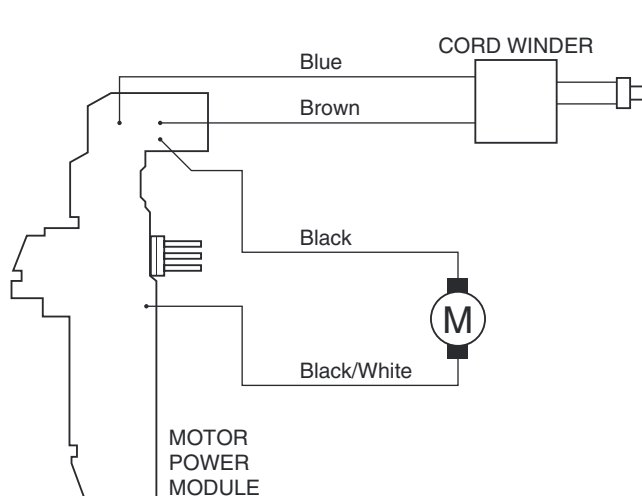
DISASSEMBLY- AND RE-ASSEMBLY ADVISE

- Open the appliance, first remove the filter cover (item 22) and then remove the 2 screws (A) of the button assy (item 10).
- The button assy can be removed by lifting up the back of the assy and then pull the assy out of the appliance.
- When the dustcover and the handle have been removed, the electronics, DBFI valve assy, CW-lever and the switch lever can be removed.
- The dustchamber and the backpanel can be removed from the appliance by removing 15 screws (B and C).
- You will require a screwdriver with a 14.5 cm long shank for this. Screwdriver 4322 009 08490 for T15 can be used.
- When the cordwinder has been taken out, the final screw (D) for releasing the lower front from the appliance can be removed.
- When the repair is finished, check whether all functions of the appliance work properly.
- To disassemble the cordwinder, use TORX screwdriver no. T10, which is one of a set consisting of T20; T15; T10; T9; T8; T7 and T6 (code number 4822 395 505145).

REPAIR INSTRUCTION

- Cotton dustbags, are used in countries in which paper dustbags are not available.
- If the reel half spring unit is replaced, shaft G must be lubricated with **silicone grease**. Do not apply any silicone grease to or spill any grease on terminals (37) or conductors (36).
- The cord winder spring must be tensioned to the maximum level and then be rewound approx. 1.5 turn.
- **Item 14**, air valve, opens to cool the motor if the air displacement is too low or if the airflow is blocked.
- If the function of the electronic control unit is not required, the Triac must be short-circuited in the manner shown in the circuit diagram.
- When the vacuum cleaner is used to suck up fine dust the pores of the dustbag may become clogged, causing the passage of air through the dustbag to become obstructed. As a result, the dustbag-full indicator will indicate that the dustbag needs to be replaced, even though the dustbag is not full at all.

ELECTRICAL DIAGRAM



PARTS LIST

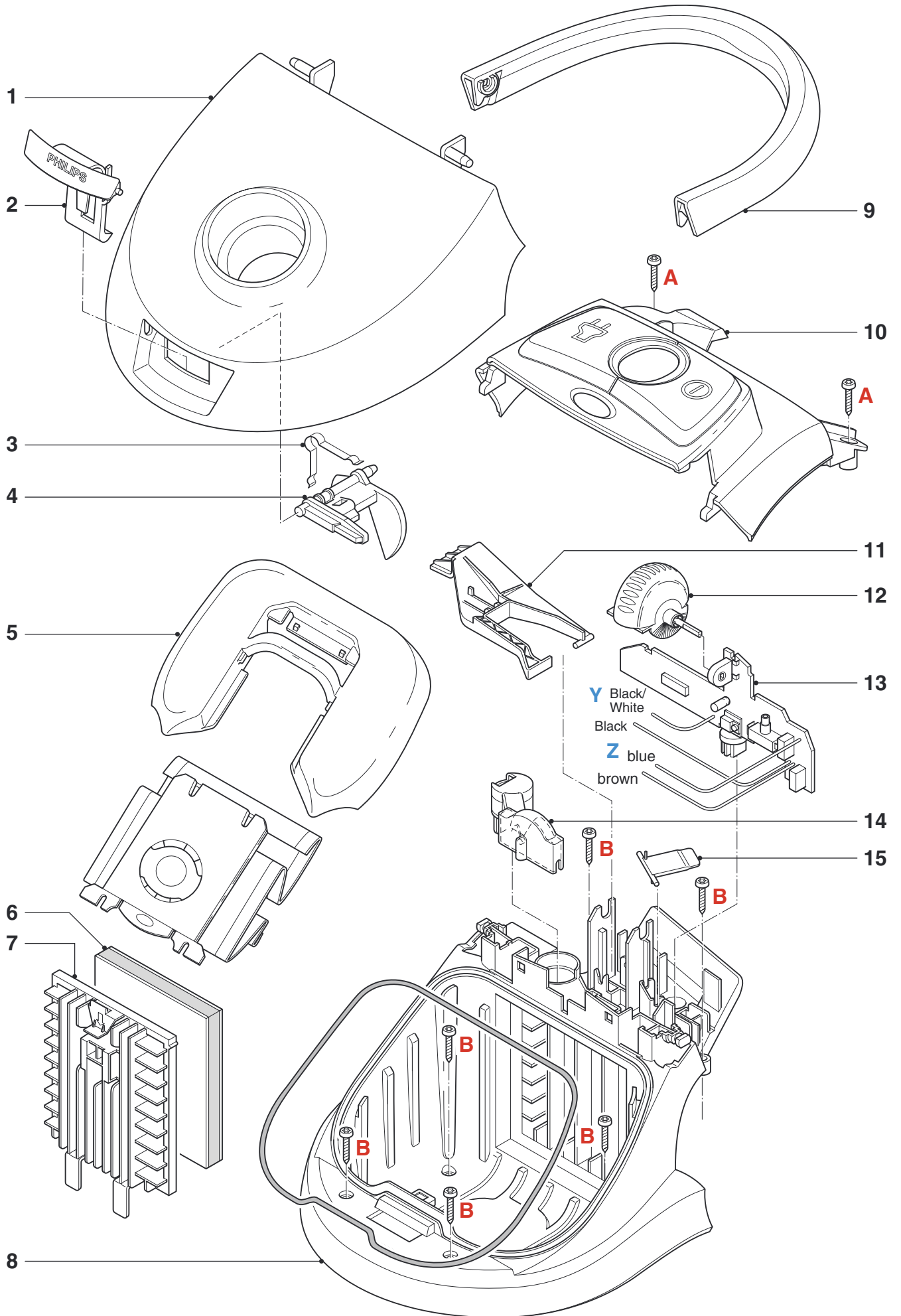
FC9150

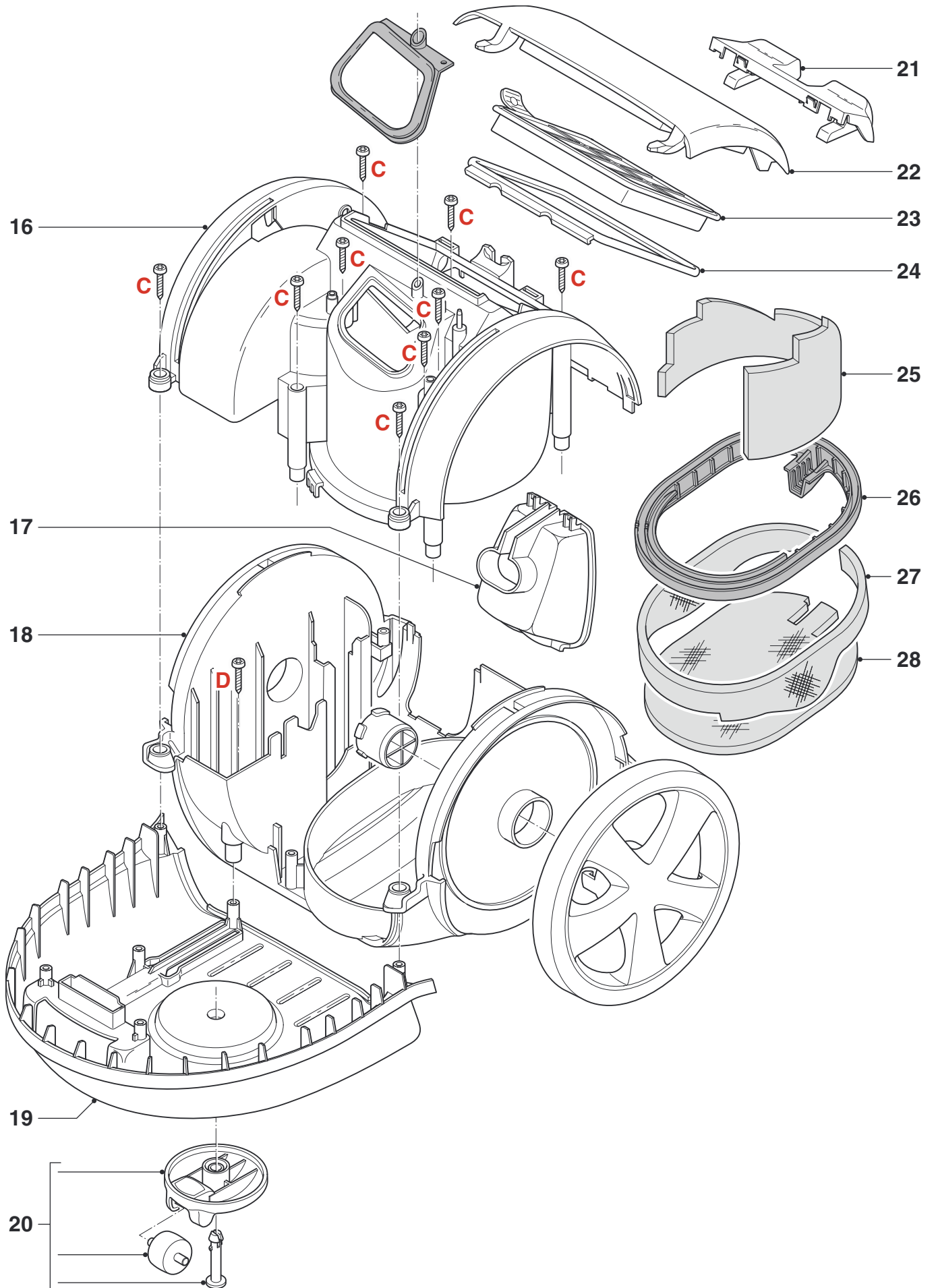
Pos	Service code	Description
1	4322 005 17390	Dustcover / Dark Denim / LB Pr
2	4322 005 17600	Dustcover lock assy
3	4322 000 67810	DB detector spring
4	4322 003 24790	DB detector / LB / Cool grey
5	4322 003 24780	CCC (DB holder)
6	4322 000 37300	Triple inletfilter
7	4322 003 23820	Inlet grille
8	4322 003 24650	Dustchamber / Black
9	4322 009 09330	Handle performer / FC9150
10	4322 009 09340	Button panel assy / Pr / FC9150
11	4322 003 24810	Cord winder lever
12	4322 003 24590	Control wheel
13	4322 006 22750	PCB assy 220-240 V 50/60 Hz
14	4322 005 17330	DBFI/Valve assy / LB
15	4341 003 02390	Switch lever
16	4322 003 24620	Back panel / Black
17	4322 003 24720	Cord outlet / Black
18	4322 003 24600	Lower / LB / Back
19	4322 003 24910	Lower front / Dark Denim
20	4322 005 17010	Caster assy / Select grey
21	4322 003 24690	Filter cover lock / Select grey
22	4322 003 24900	Filter cover / Dark Denim
23	4322 004 92980	Hepa 13 filter
24	4322 001 73360	Exhaust sealing
25	4322 000 38700	Silencer 4 wall backpanel

Pos	Service code	Description
26	4322 003 23220	S-class H-sealing
27	4322 000 38670	Silencer 1 wall
28	4322 000 38680	Silencer 2 bottom
29	4322 003 23880	Motorhousing top inside
30	4322 001 73400	Bufferring front ANS-Atlas
31	4322 006 97670	Motor A 1451 / 230 V
32	4322 000 38690	Silencer 3
33	4322 001 73300	Buffer back
34	4322 003 23870	Motor housing bottom ANS
35	4322 009 07940	Reel half spring unit (L = 9 m)
36	4322 009 07950	Reel half contact unit
37	4322 009 07970	Contact ring plate
38	4322 006 01720	U.K. / H.K. L = 9.3 m
39	4322 006 01410	Euro 4.8 mm pins L = 9.3 m
40	4322 003 18850	C. Bend B1
41	4322 005 12760	LC Swivel assy
42	4322 005 12720	C. Bend B1 / Hose / Swivel assy
42a	4322 004 22630	Conical hose assy / LC
43	4322 007 16000	Leaf spring assy
44	4322 004 22510	Telescopic tube Silver, Standard
45	4322 001 99120	Coupling bush
46	4322 007 45550	Coupling spring
47	4322 004 22570	Plumeau assy
48	4322 003 18870	Crevice nozzle
49	4322 005 12530	Accessory bridge assy
50	4322 004 22560	Small nozzle
51	4322 004 23200	Tri-active nozzle / LB

EXPLODED VIEW

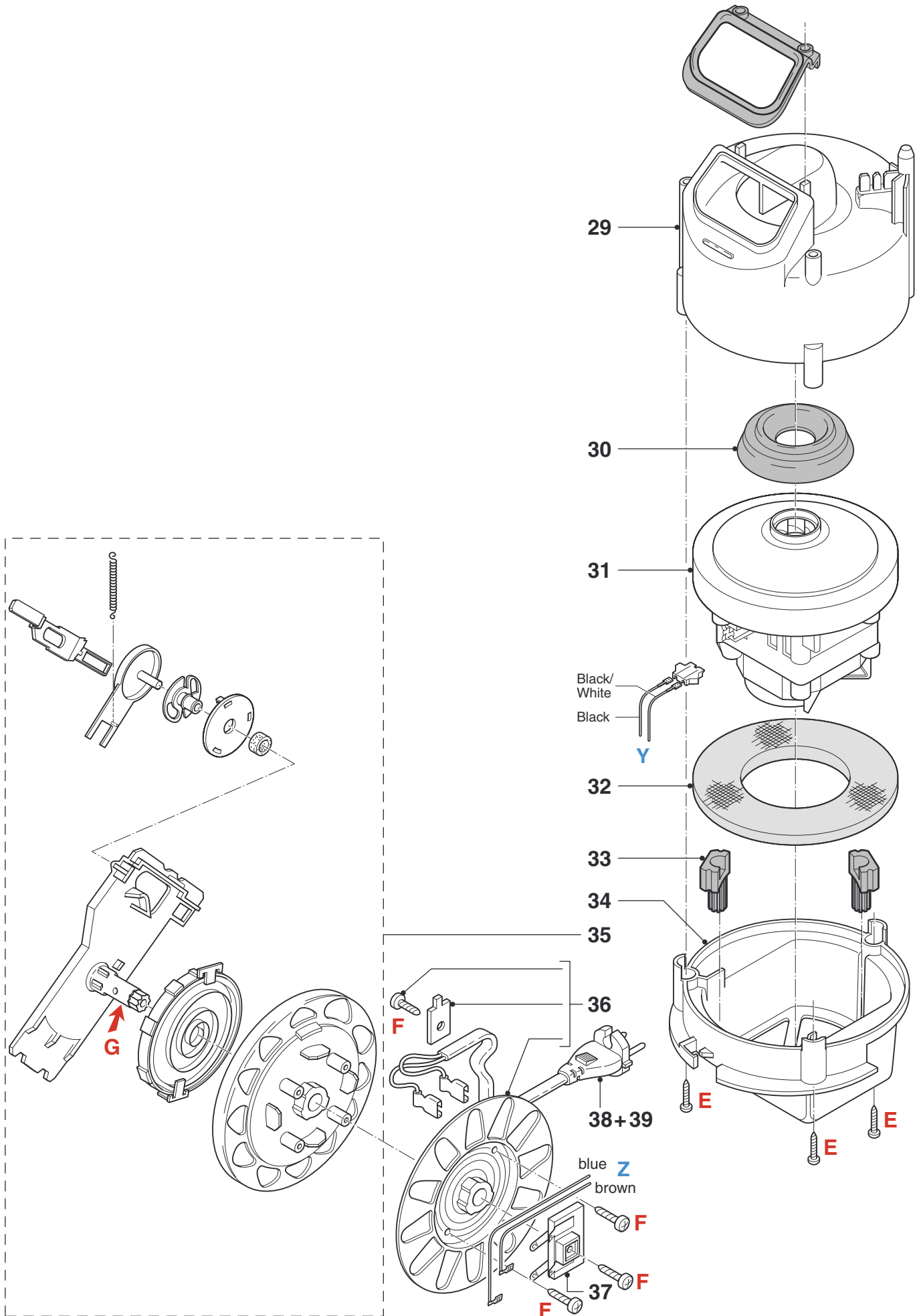
FC9150





EXPLODED VIEW

FC9150



EXPLODED VIEW

FC9150

