

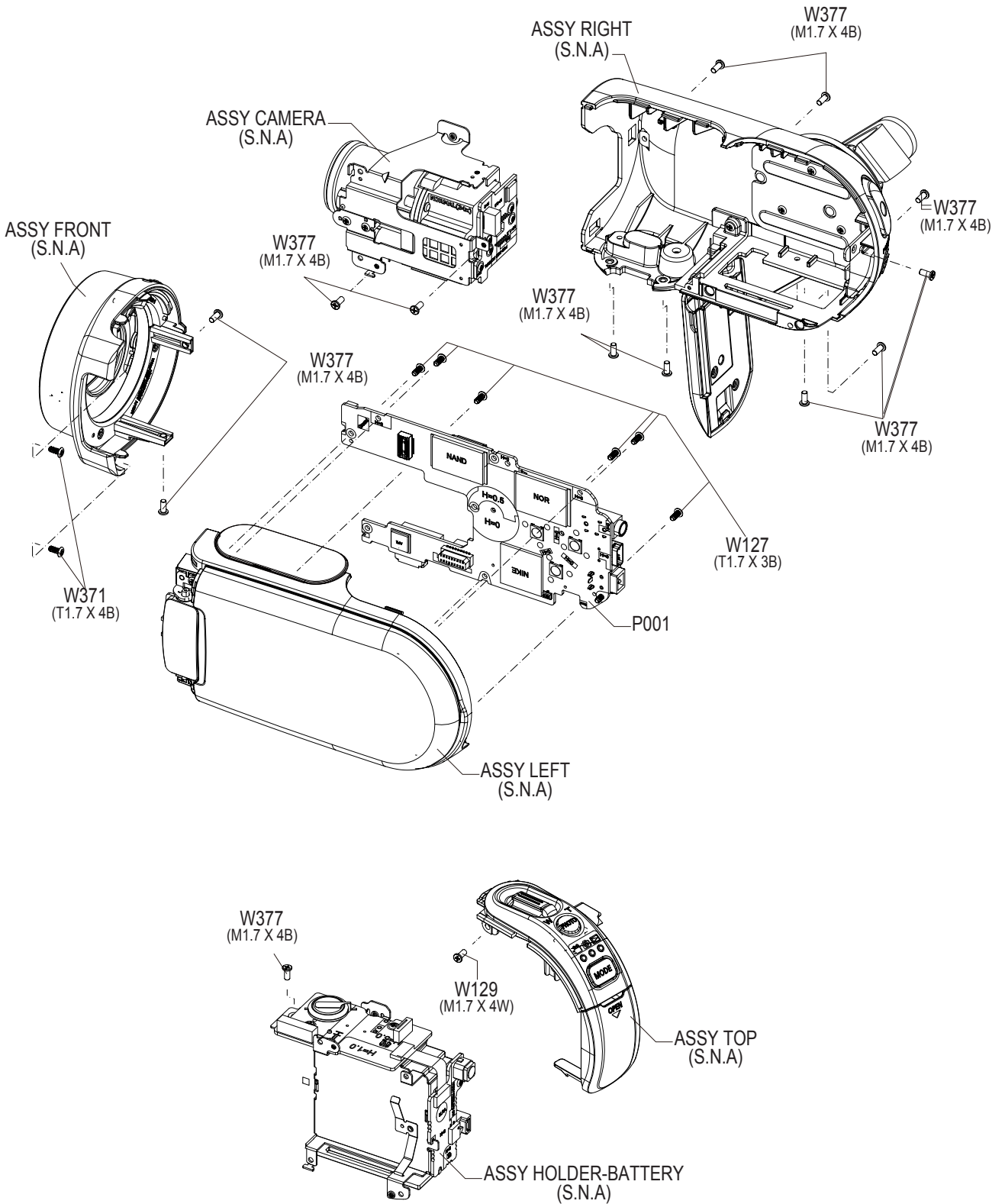
---

## **5. Exploded View and Parts List**

---

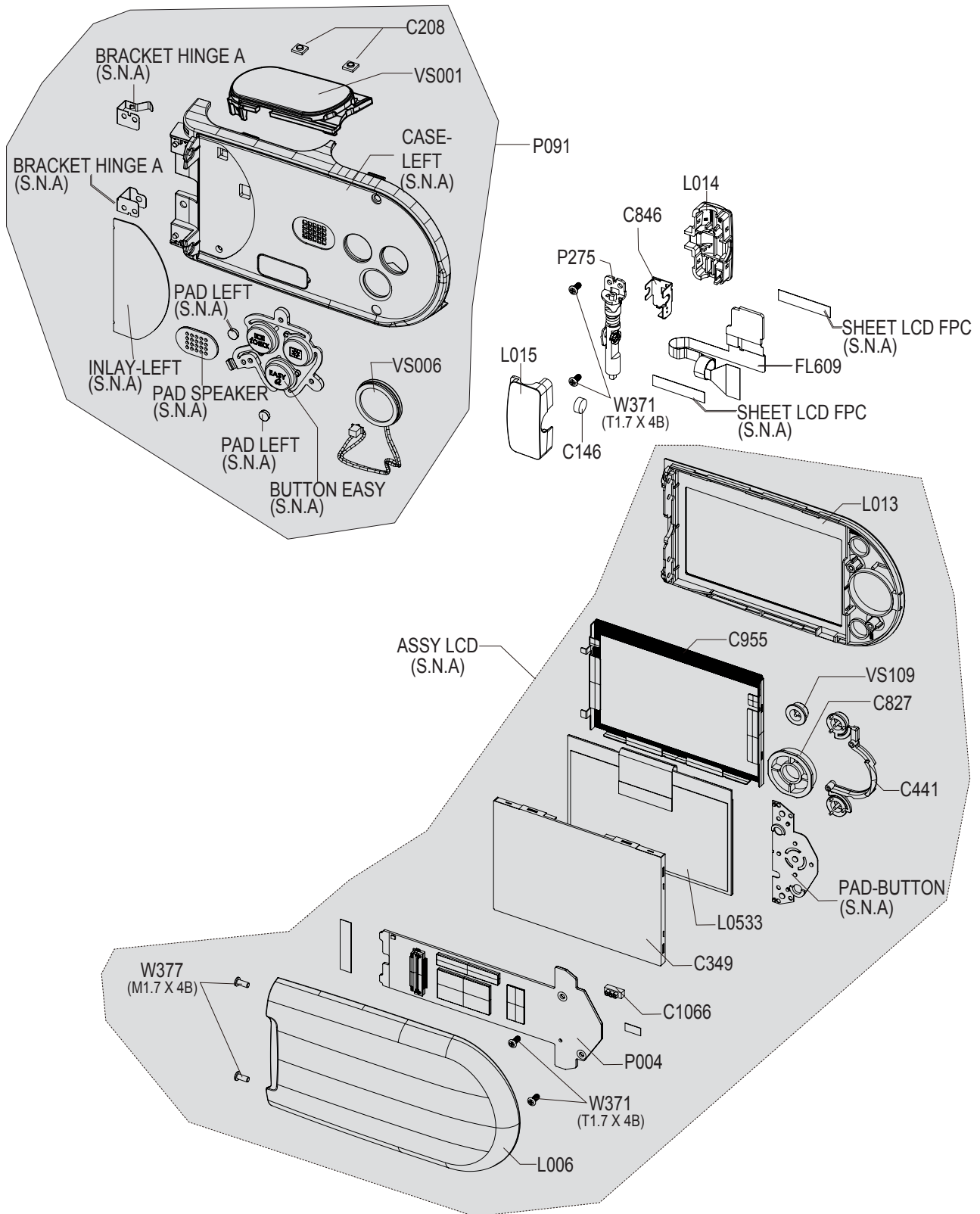
|                                  |             |
|----------------------------------|-------------|
| <b>5-1 Ass'y Chassis</b>         | <b>5-2</b>  |
| <b>5-2 Ass'y Left</b>            | <b>5-4</b>  |
| <b>5-3 Ass'y Right</b>           | <b>5-6</b>  |
| <b>5-4 Ass'y Camera</b>          | <b>5-8</b>  |
| <b>5-5 Ass'y Holder battery</b>  | <b>5-9</b>  |
| <b>5-6 Ass'y Top</b>             | <b>5-10</b> |
| <b>5-7 Ass'y Front</b>           | <b>5-11</b> |
| <b>5-8 Electrical Parts List</b> | <b>5-12</b> |

### 5-1 Ass'y Chassis



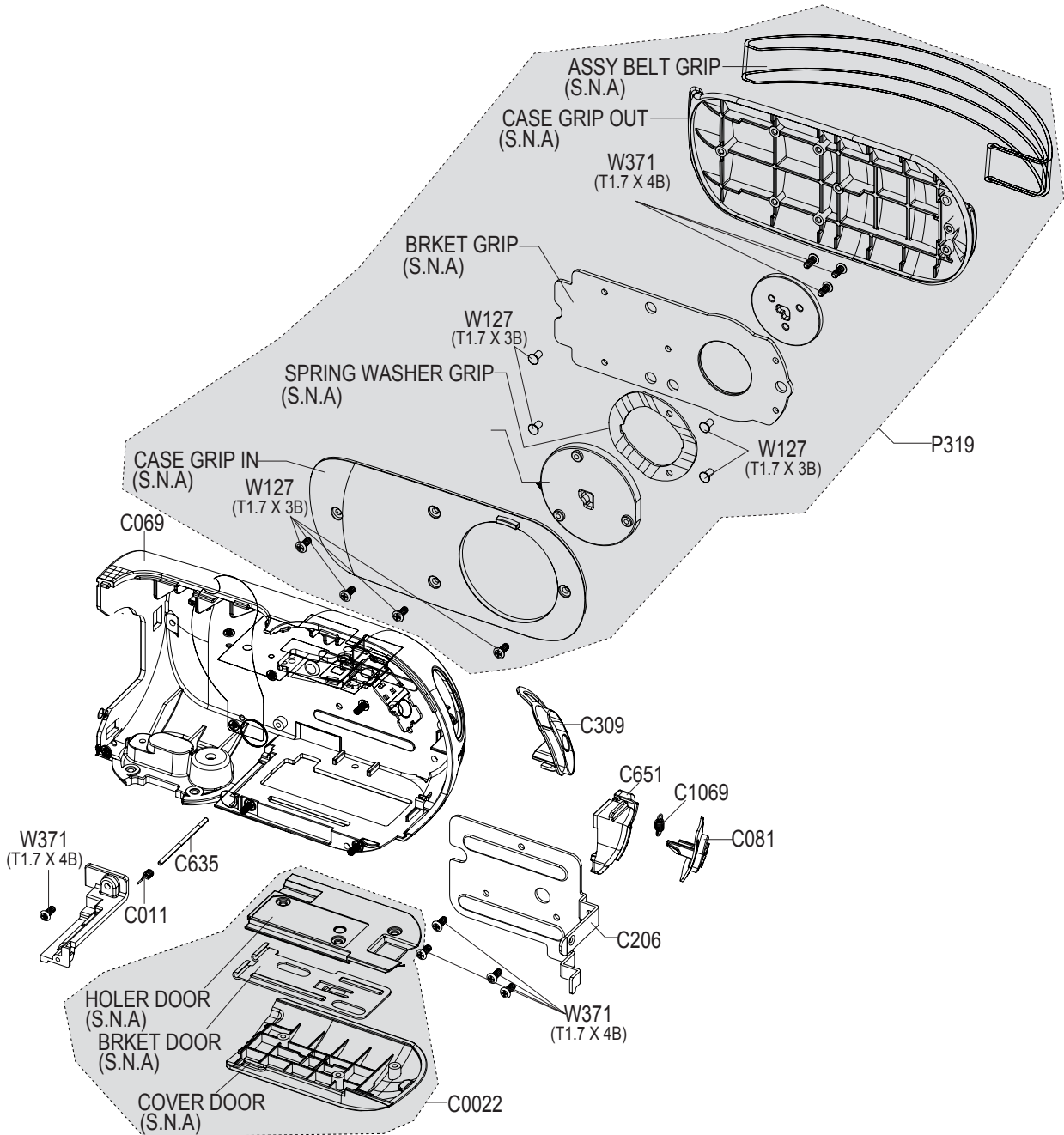
| Loc. No | Parts No.   | Description ; Specification                  | Q ty | SNA | Remark |
|---------|-------------|--|------|-----|--------|
| P001    | AD92-00806B | ASSY PCB MAIN;F30-PJ,SMX-F34BP/EDC,PAL,ENG,- |      | SA  |        |
| W127    | 6003-001292 | SCREW-TAPTITE;CH(0.3),+,B,M1.7,L3,ZPC(BL     | 6    | SA  |        |
| W129    | 6001-001719 | SCREW-MACHINE;CH,+,M1.7,L4,NI PLT            | 1    | SA  |        |
| W371    | 6003-001453 | SCREW-TAPTITE;BH,+,B,M1.7,L4,ZPC(BLK)        | 8    | SA  |        |
| W377    | 6001-001291 | SCREW-MACHINE;CH(0.5),*,-,M1.7,L4,ZPC(BL     | 13   | SA  |        |

## 5-2 Ass'y Left



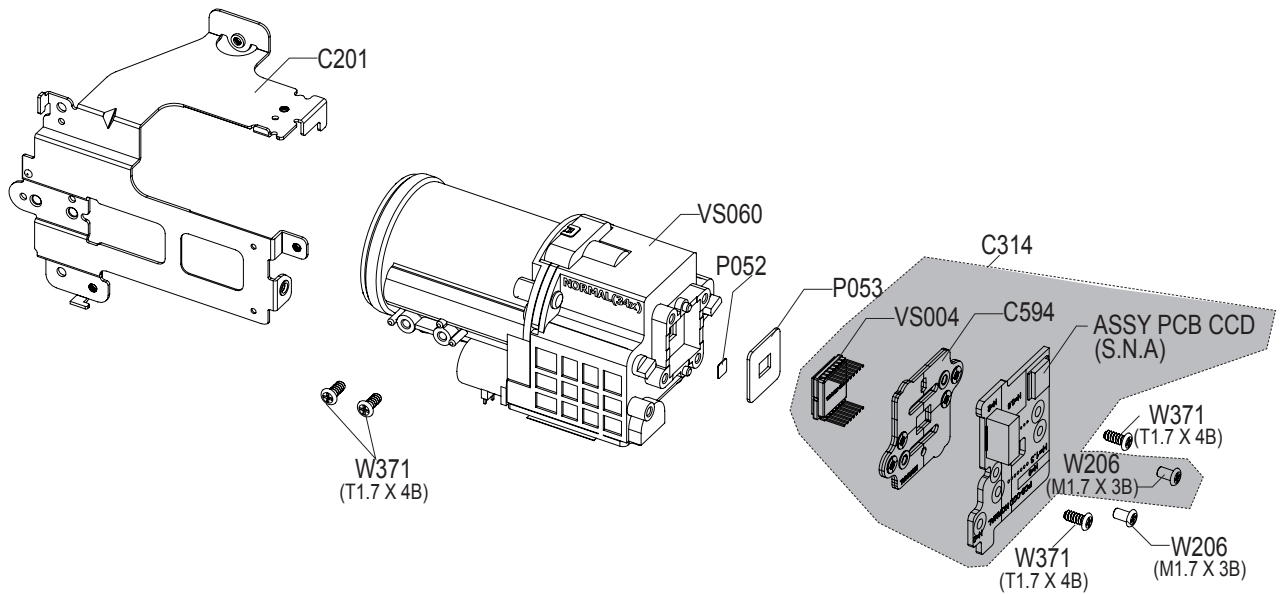
| Loc. No | Parts No.   | Description ; Specification              | Q ty | SNA | Remark |
|---------|-------------|--|------|-----|--------|
| C1066   | AD61-03720A | MAGNET-LCD;MX20,Nd-Fe-B N45M,T2,W2.3,L   | 1    | SA  |        |
| C146    | AD61-03112A | MAGNET-LEFT;DRAGON4-PJ,MAGNET,T2.5,W2,L2 | 1    | SA  |        |
| C208    | AD61-12033A | BRACKET-NUT;SV-D10,SECC,-,-,-,T0.8       | 2    | SA  |        |
| C349    | AD97-13001A | ASSY-BLU;MX10,LEDx4,2.7" WIDE,-          | 1    | SA  |        |
| C441    | AD64-02283E | BUTTON-MENU;MX20,PC ABS,50,-,BROWN,-     | 1    | SA  |        |
| C827    | AD64-02281A | BUTTON-NAVI;MX20,PC+ABS,16,-,SILVER,-    | 1    | SA  |        |
| C846    | AD61-02906A | BRACKET-GUIDE FPC;MX10,SUS 304 1/2 H,T0. | 1    | SA  |        |
| C955    | AD61-03697A | BRACKET-GROUND DISPLAY;MX20,SUS304,T0.3, | 1    | SA  |        |
| FL609   | AD97-16203A | ASSY-FPC LCD;MX20-PJ,SC-MX20C,ASSY FPC L | 1    | SA  |        |
| L006    | AD61-03677F | CASE-LCD TOP;SMX-F30B,PC ABS,T1.5,W50,L8 | 1    | SA  |        |
| L013    | AD61-03678A | CASE-LCD BOTTOM;MX20,PC+ABS,1.5,W48.9 X  | 1    | SA  |        |
| L014    | AD63-02948A | COVER-HINGE TOP;MX20,PC ABS,T1.3,W28,L14 | 1    | SA  |        |
| L015    | AD63-02949A | COVER-HINGE BOTTOM;MX20,PC ABS,T1.3,W28, | 1    | SA  |        |
| L0533   | AD07-00090B | LCD-PANEL;A027CW01,RAINBOW3-PJ,112320,63 | 1    | SA  |        |
| P004    | AD97-16201A | ASSY-LCD BOARD;MX20-PJ,SC-MX20C,ASSY LCD | 1    | SA  |        |
| P091    | AD97-16810A | ASSY CASE-LEFT;F30,SMX-F30B,Midnight Bla | 1    | SA  |        |
| P275    | AD97-15898A | ASSY HINGE;ASSY,MX20,Use the new SHAFT-R | 1    | SA  |        |
| VS006   | AD97-15673A | ASSY SPEAKER;MX20,MICRO-SPEAKER,G-17S08- | 1    | SA  |        |
| VS109   | AD64-02282A | BUTTON-ENTER;MX20,PC+ABS,7.6,-,NORMAL,-  | 1    | SA  |        |
| W371    | 6003-001453 | SCREW-TAPTITE;BH,+,B,M1.7,L4,ZPC(BLK)    | 4    | SA  |        |
| W377    | 6001-001291 | SCREW-MACHINE;CH(0.5),*,-,M1.7,L4,ZPC(BL | 2    | SA  |        |

### 5-3 Ass'y Right



| Loc. No | Parts No.   | Description ; Specification              | Q ty | SNA | Remark |
|---------|-------------|--|------|-----|--------|
| C069    | AD61-03711D | CASE-RIGHT;SMX-F30B,PC ABS,T2,W50,L90,MI | 1    | SA  |        |
| C0022   | AD97-16825A | ASSY DOOR;F30,SMX-F30B,MIDNIGHT BLACK,-  | 1    | SA  |        |
| C011    | AD61-03705A | SPRING ETC-DOOR;MX20,SUS,0.3,1.2,1.8,2.6 | 1    | SA  |        |
| C081    | AD64-02289A | KNOB-POWER;MX20,PC+ABS,T1,W12,L6,-,NULL, | 1    | SA  |        |
| C1069   | AD61-03671B | HOLDER-SHAFT DOOR;MX20,PC ABS BLACK,T1.5 | 1    | SA  |        |
| C206    | AD61-03693A | BRACKET-RIGHT;MX20,SUS304,T0.8,W30,L40,- | 1    | SA  |        |
| C309    | AD64-02285A | BUTTON-REC;MX20,PC+ABS,W14 L10,-,NORMAL, | 1    | SA  |        |
| C635    | AD66-00604A | SHAFT DOOR;MX20,SUS,24.1,1.1,-,-,-       | 1    | SA  |        |
| C651    | AD61-03670A | HOLDER-POWER;MX20,PC+ABS,T1,W30,L28,-,-  | 1    | SA  |        |
| P319    | AD97-16824A | ASSY GRIP;F30,SMX-F30B,MIDNIGHT BLACK,-  | 1    | SA  |        |
| W127    | 6003-001292 | SCREW-TAPTITE;CH(0.3),+,B,M1.7,L3,ZPC(BL | 8    | SA  |        |
| W371    | 6003-001453 | SCREW-TAPTITE;BH,+,B,M1.7,L4,ZPC(BLK)    | 8    | SA  |        |

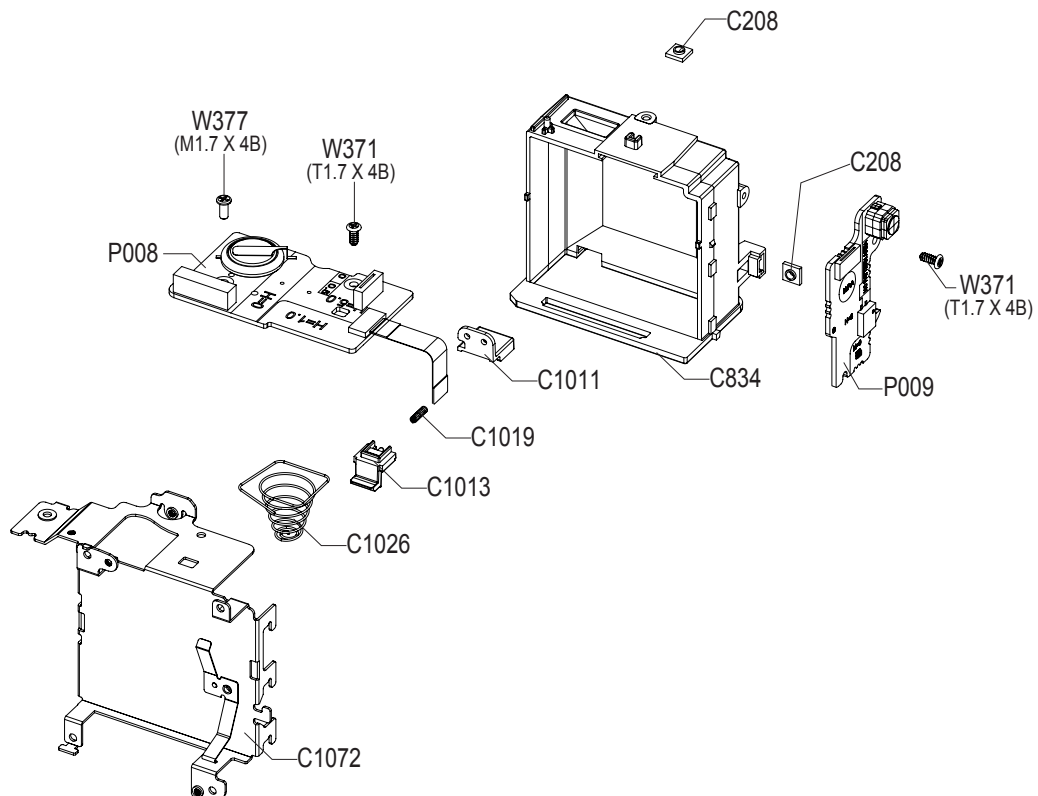
## 5-4 Ass'y Camera



| Loc. No | Parts No.   | Description ; Specification              | Q ty | SNA | Remark |
|---------|-------------|--|------|-----|--------|
| C201    | AD61-03688A | BRACKET-LENS;MX20,SUS304,T0.5,W79,L58,-, | 1    | SA  |        |
| C314    | AD97-15560A | ASSY CCD;VP-MX20,MX20-PJ,PAL,-           | 1    | SA  |        |
| C594    | AD61-02357A | PLATE-CCD;DRAGON2-PJ,AL,T1,W21,L25,-,-   | 1    | SA  |        |
| P052    | AD67-00369A | LENS FILTER-OLPF LSSS1;SPML,IR CUT,WHITE | 1    | SA  |        |
| P053    | AD60-00053A | SPACER-CCD;ALPHA_PJ,SILICON,-,-,-,BLK,0. | 1    | SA  |        |
| VS004   | 0605-001146 | CCD;CCD(PAL),DIP-14(Plastic),14P,8       | 1    | SA  |        |
| VS060   | AD97-16444A | ASSY-LENS 20;MX20,SPML,34X ZOOM,IRIS/MOT | 1    | SA  |        |
| W206    | 6001-001373 | SCREW-MACHINE;PH,T0.5,+,-,M1.7,L3.0,ZPC( | 2    | SA  |        |
| W371    | 6003-001453 | SCREW-TAPTITE;BH,+ ,B,M1.7,L4,ZPC(BLK)   | 4    | SA  |        |

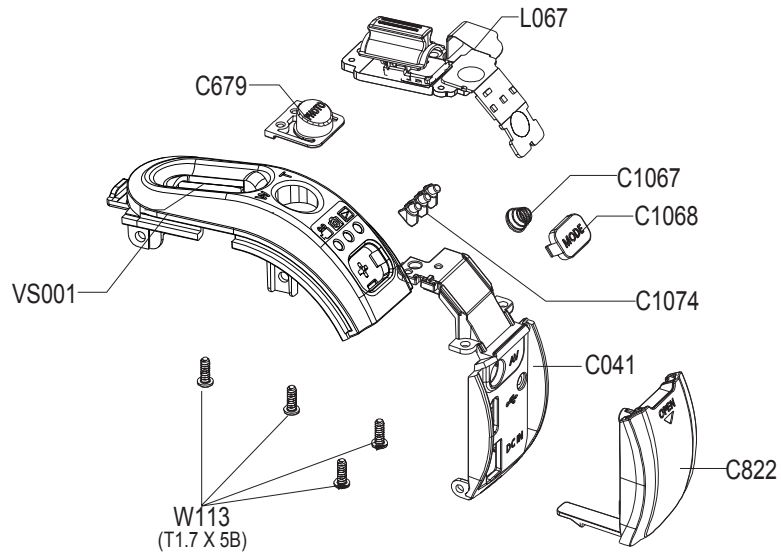


## 5-5 Ass'y Holder battery



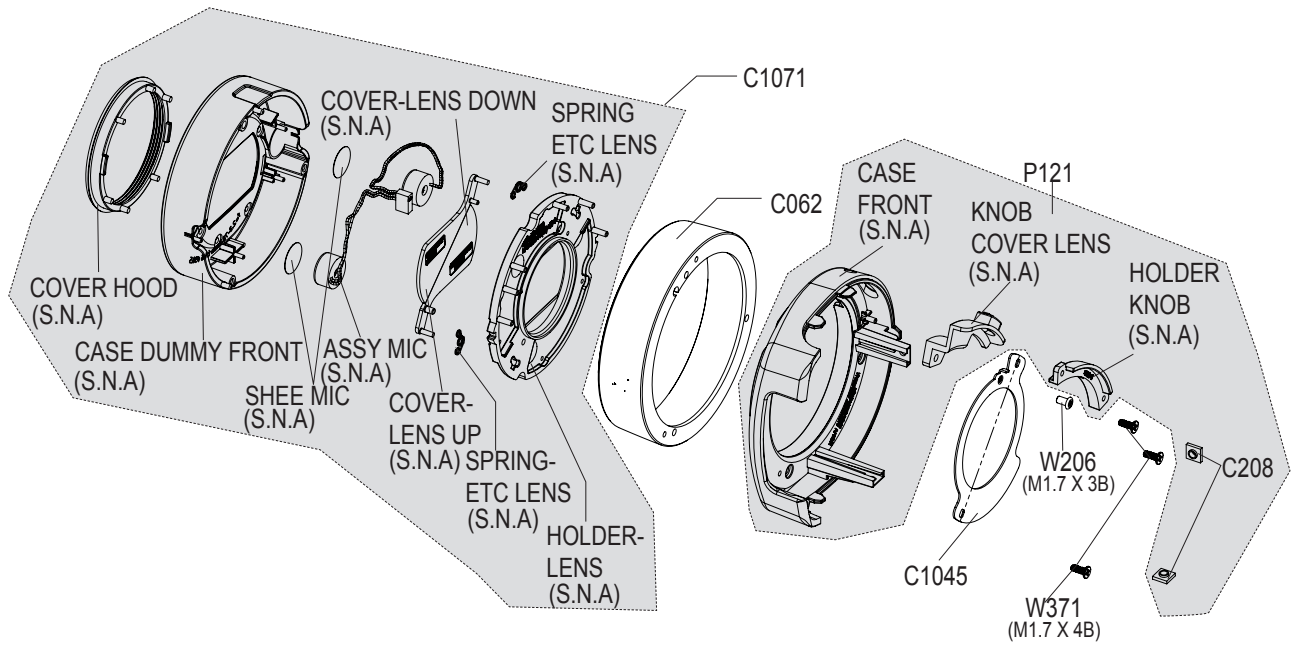
| Loc. No | Parts No.   | Description ; Specification              | Q ty | SNA | Remark |
|---------|-------------|--|------|-----|--------|
| C208    | AD61-12033A | BRACKET-NUT;SV-D10,SECC,-,-,-,T0.8       | 2    | SA  |        |
| C1011   | AD61-02894A | HOLDER-SPRING BATTERY;MX10-PJ,PC+ABS,T8. | 1    | SA  |        |
| C1013   | AD64-01671C | KNOB-LOCKER BATTERY;MX10,SC-MX10R,T7,W8. | 1    | SA  |        |
| C1019   | AD61-02901A | SPRING ETC-LOCK BATTERY;MX10,SUS,0.2,-,- | 1    | SA  |        |
| C1026   | AD61-03706A | SPRING ETC-BATTERY COIL;MX20,SUS,0.35,11 | 1    | SA  |        |
| C1072   | AD97-15647A | ASSY BRACKET-HOLDER BATTERY;ASSY,MX20,-, | 1    | SA  |        |
| C834    | AD61-03669B | HOLDER-BATTERY;MX20,PC ABS BLACK,T1.5,W4 | 1    | SA  |        |
| P008    | AD92-00715A | ASSY PCB-TOP_TR03;-;VM-MX25E,TSET BOARD, | 1    | SA  |        |
| P009    | AD92-00585A | ASSY PCB REAR;-;MX20-PJ,NTSC/PAL ALL,-   | 1    | SA  |        |
| W371    | 6003-001453 | SCREW-TAPTITE;BH,+;B,M1.7,L4,ZPC(BLK)    | 2    | SA  |        |
| W377    | 6001-001291 | SCREW-MACHINE;CH(0.5);*-;M1.7,L4,ZPC(BL  | 1    | SA  |        |

### 5-6 Ass'y Top



| Loc. No | Parts No.   | Description ; Specification              | Q ty | SNA | Remark |
|---------|-------------|--|------|-----|--------|
| C041    | AD61-03680A | CASE-REAR;MX20,PC+ABS,T1.5,W60,L         | 1    | SA  |        |
| C1067   | AD61-03713A | SPRING ETC-MODE;MX20,SUS304 - WPB,Φ0.15  | 1    | SA  |        |
| C1068   | AD64-02284A | BUTTON-MODE;MX20,PC+ABS,W12 L6,-,NORMAL, | 1    | SA  |        |
| C1074   | AD64-02329A | INDICATOR-PHOTO;MX25E, PHOTO MODEL,ACRYL | 3    | SA  |        |
| C679    | AD64-02328A | BUTTON-PHOTO;MX20 PHOTO,PC+ABS,W15 L10,- | 1    | SA  |        |
| C822    | AD63-02950B | COVER-JACK;F30,ABS URETHANE,T1.5,W20,L40 | 1    | SA  |        |
| L067    | AD97-15632B | ASSY-ZOOM PHOTO;ASSY-ZOOM PHOTO,MX20,FPC | 1    | SA  |        |
| VS001   | AD61-04037A | CASE-TOP;F30,PC ABS,1.5,20,50,BLACK,-    | 1    | SA  |        |
| W113    | 6002-001085 | SCREW-TAPPING;CH,+,2,M1.7,L5,ZPC(BLK),SW | 4    | SA  |        |

### 5-7 Ass'y Front



| Loc. No | Parts No.   | Description ; Specification              | Q ty | SNA | Remark |
|---------|-------------|--|------|-----|--------|
| C062    | AD63-03017F | COVER-FRONT;SMX-F30B,AL,T0.5,W60,L60,-,- | 1    | SA  |        |
| C1045   | AD61-03696A | BRACKET-ROTATE;MX20,SUS304,T0.5,W50,L40, | 1    | SA  |        |
| C1071   | AD97-15619B | ASSY FRONT-DUMMY;ASSY,SMX-F30,-,-        | 1    | SA  |        |
| C208    | AD61-12033A | BRACKET-NUT;SV-D10,SECC,-,-,-,T0.8       | 2    | SA  |        |
| P121    | AD97-16826A | ASSY CASE-FRONT;F30,SMX-F30B,MIDNIGHT BL | 1    | SA  |        |
| W206    | 6001-001373 | SCREW-MACHINE;PH,T0.5,+,-,M1.7,L3.0,ZPC( | 1    | SA  |        |
| W371    | 6003-001453 | SCREW-TAPTITE;BH,+ ,B,M1.7,L4,ZPC(BLK)   | 3    | SA  |        |

## 5-8 Electrical Parts List

| Loc.No          | Part No            | Description : Specification             | Q'ty     | S.N.A     | Remark | Loc.No | Part No     | Description : Specification       | Q'ty | S.N.A | Remark |
|-----------------|--------------------|---|----------|-----------|--------|--------|-------------|-----------------------------------|------|-------|--------|
| <b>Main PCB</b> |                    |   |          |           |        |        |             |                                   |      |       |        |
| <b>P001</b>     | <b>AD92-00806B</b> | <b>ASSY PCB MAIN-F30-PJ.SMX-F34BP/E</b> | <b>1</b> | <b>SA</b> |        | CD53   | 2203-002709 | C-CER,CHIP;100nF,+80-20%,16V,Y5V, | 1    | SA    |        |
| BDP01           | 3301-001649        | BEAD-SMD;180ohm,1608,-,TP-,226oh        | 1        | SA        |        | CD54   | 2203-002709 | C-CER,CHIP;100nF,+80-20%,16V,Y5V, | 1    | SA    |        |
| BN01            | 2007-000173        | R-CHIP;22ohm,5%,1/16W,TP,1005           | 1        | SA        |        | CD55   | 2203-002709 | C-CER,CHIP;100nF,+80-20%,16V,Y5V, | 1    | SA    |        |
| BN02            | 2007-000173        | R-CHIP;22ohm,5%,1/16W,TP,1005           | 1        | SA        |        | CD56   | 2203-002709 | C-CER,CHIP;100nF,+80-20%,16V,Y5V, | 1    | SA    |        |
| BN03            | 2007-000173        | R-CHIP;22ohm,5%,1/16W,TP,1005           | 1        | SA        |        | CD57   | 2203-002709 | C-CER,CHIP;100nF,+80-20%,16V,Y5V, | 1    | SA    |        |
| BN04            | 2007-000173        | R-CHIP;22ohm,5%,1/16W,TP,1005           | 1        | SA        |        | CD58   | 2203-002709 | C-CER,CHIP;100nF,+80-20%,16V,Y5V, | 1    | SA    |        |
| BN05            | 2007-000173        | R-CHIP;22ohm,5%,1/16W,TP,1005           | 1        | SA        |        | CD59   | 2203-002709 | C-CER,CHIP;100nF,+80-20%,16V,Y5V, | 1    | SA    |        |
| BN06            | 2007-000171        | R-CHIP;0ohm,5%,1/16W,TP,1005            | 1        | SA        |        | CD61   | 2203-002709 | C-CER,CHIP;100nF,+80-20%,16V,Y5V, | 1    | SA    |        |
| CA01            | 2203-006361        | C-CER,CHIP;1000nF,10%,10V,X5R,TP        | 1        | SC        |        | CD62   | 2203-002709 | C-CER,CHIP;100nF,+80-20%,16V,Y5V, | 1    | SA    |        |
| CA03            | 2203-006361        | C-CER,CHIP;1000nF,10%,10V,X5R,TP        | 1        | SC        |        | CD63   | 2203-002709 | C-CER,CHIP;100nF,+80-20%,16V,Y5V, | 1    | SA    |        |
| CA04            | 2203-002709        | C-CER,CHIP;100nF,+80-20%,16V,Y5V,       | 1        | SA        |        | CD64   | 2203-002709 | C-CER,CHIP;100nF,+80-20%,16V,Y5V, | 1    | SA    |        |
| CA05            | 2203-006361        | C-CER,CHIP;1000nF,10%,10V,X5R,TP        | 1        | SC        |        | CD65   | 2203-002709 | C-CER,CHIP;100nF,+80-20%,16V,Y5V, | 1    | SA    |        |
| CA06            | 2203-002709        | C-CER,CHIP;100nF,+80-20%,16V,Y5V,       | 1        | SA        |        | CD66   | 2203-002709 | C-CER,CHIP;100nF,+80-20%,16V,Y5V, | 1    | SA    |        |
| CA07            | 2404-001288        | C-TA,CHIP;2.2UF,10%,16V,WT,TP,321       | 1        | SA        |        | CD67   | 2203-002709 | C-CER,CHIP;100nF,+80-20%,16V,Y5V, | 1    | SA    |        |
| CA08            | 2203-002709        | C-CER,CHIP;100nF,+80-20%,16V,Y5V,       | 1        | SA        |        | CD68   | 2203-002709 | C-CER,CHIP;100nF,+80-20%,16V,Y5V, | 1    | SA    |        |
| CA09            | 2203-002709        | C-CER,CHIP;100nF,+80-20%,16V,Y5V,       | 1        | SA        |        | CD69   | 2203-002709 | C-CER,CHIP;100nF,+80-20%,16V,Y5V, | 1    | SA    |        |
| CA10            | 2404-000227        | C-TA,CHIP;4.7UF,10%,10V,-,TP,321        | 1        | SA        |        | CD71   | 2203-002709 | C-CER,CHIP;100nF,+80-20%,16V,Y5V, | 1    | SA    |        |
| CA11            | 2203-005344        | C-CER,CHIP;22nF,10%,25V,X7R,TP,10       | 1        | SA        |        | CD72   | 2203-002709 | C-CER,CHIP;100nF,+80-20%,16V,Y5V, | 1    | SA    |        |
| CA12            | 2203-005344        | C-CER,CHIP;22nF,10%,25V,X7R,TP,10       | 1        | SA        |        | CD73   | 2203-002709 | C-CER,CHIP;100nF,+80-20%,16V,Y5V, | 1    | SA    |        |
| CA13            | 2203-005065        | C-CER,CHIP;1000nF,+80-20%,10V,Y5V       | 1        | SA        |        | CD74   | 2203-002709 | C-CER,CHIP;100nF,+80-20%,16V,Y5V, | 1    | SA    |        |
| CA14            | 2203-005065        | C-CER,CHIP;1000nF,+80-20%,10V,Y5V       | 1        | SA        |        | CD81   | 2203-002709 | C-CER,CHIP;100nF,+80-20%,16V,Y5V, | 1    | SA    |        |
| CA15            | 2203-005065        | C-CER,CHIP;1000nF,+80-20%,10V,Y5V       | 1        | SA        |        | CD82   | 2203-006361 | C-CER,CHIP;1000nF,10%,10V,X5R,TP  | 1    | SC    |        |
| CA16            | 2203-005065        | C-CER,CHIP;1000nF,+80-20%,10V,Y5V       | 1        | SA        |        | CD83   | 2203-002709 | C-CER,CHIP;100nF,+80-20%,16V,Y5V, | 1    | SA    |        |
| CA17            | 2203-002709        | C-CER,CHIP;100nF,+80-20%,16V,Y5V,       | 1        | SA        |        | CD84   | 2203-006361 | C-CER,CHIP;1000nF,10%,10V,X5R,TP  | 1    | SC    |        |
| CA18            | 2203-002709        | C-CER,CHIP;100nF,+80-20%,16V,Y5V,       | 1        | SA        |        | CD85   | 2203-002709 | C-CER,CHIP;100nF,+80-20%,16V,Y5V, | 1    | SA    |        |
| CA20            | 2203-005065        | C-CER,CHIP;1000nF,+80-20%,10V,Y5V       | 1        | SA        |        | CD86   | 2203-006361 | C-CER,CHIP;1000nF,10%,10V,X5R,TP  | 1    | SC    |        |
| CA21            | 2203-005065        | C-CER,CHIP;1000nF,+80-20%,10V,Y5V       | 1        | SA        |        | CD87   | 2203-002709 | C-CER,CHIP;100nF,+80-20%,16V,Y5V, | 1    | SA    |        |
| CA22            | 2203-000254        | C-CER,CHIP;10nF,10%,16V,X7R,1005        | 1        | SA        |        | CD88   | 2203-006474 | C-CER,CHIP;2200nF,20%,6.3V,X5R,2  | 1    | SA    |        |
| CD01            | 2203-005055        | C-CER,CHIP;0.0056nF,0.25pF,50V,NP       | 1        | SA        |        | CD89   | 2203-002709 | C-CER,CHIP;100nF,+80-20%,16V,Y5V, | 1    | SA    |        |
| CD02            | 2203-005055        | C-CER,CHIP;0.0056nF,0.25pF,50V,NP       | 1        | SA        |        | CD90   | 2203-006474 | C-CER,CHIP;2200nF,20%,6.3V,X5R,2  | 1    | SA    |        |
| CD03            | 2203-005055        | C-CER,CHIP;0.0056nF,0.25pF,50V,NP       | 1        | SA        |        | CD91   | 2203-002709 | C-CER,CHIP;100nF,+80-20%,16V,Y5V, | 1    | SA    |        |
| CD04            | 2203-005055        | C-CER,CHIP;0.0056nF,0.25pF,50V,NP       | 1        | SA        |        | CD92   | 2203-006361 | C-CER,CHIP;1000nF,10%,10V,X5R,TP  | 1    | SC    |        |
| CD05            | 2203-000233        | C-CER,CHIP;0.1nF,5%,50V,COG,1005        | 1        | SA        |        | CD93   | 2203-002709 | C-CER,CHIP;100nF,+80-20%,16V,Y5V, | 1    | SA    |        |
| CD06            | 2203-000233        | C-CER,CHIP;0.1nF,5%,50V,COG,1005        | 1        | SA        |        | CD94   | 2203-006361 | C-CER,CHIP;1000nF,10%,10V,X5R,TP  | 1    | SC    |        |
| CD07            | 2203-000233        | C-CER,CHIP;0.1nF,5%,50V,COG,1005        | 1        | SA        |        | CD95   | 2203-002709 | C-CER,CHIP;100nF,+80-20%,16V,Y5V, | 1    | SA    |        |
| CD08            | 2203-000233        | C-CER,CHIP;0.1nF,5%,50V,COG,1005        | 1        | SA        |        | CD96   | 2203-002709 | C-CER,CHIP;100nF,+80-20%,16V,Y5V, | 1    | SA    |        |
| CD09            | 2203-000233        | C-CER,CHIP;0.1nF,5%,50V,COG,1005        | 1        | SA        |        | CD97   | 2203-000254 | C-CER,CHIP;10nF,10%,16V,X7R,1005  | 1    | SA    |        |
| CD10            | 2203-000233        | C-CER,CHIP;0.1nF,5%,50V,COG,1005        | 1        | SA        |        | CD98   | 2203-005055 | C-CER,CHIP;0.0056nF,0.25pF,50V,NP | 1    | SA    |        |
| CD100           | 2203-005055        | C-CER,CHIP;0.0056nF,0.25pF,50V,NP       | 1        | SA        |        | CD99   | 2203-005055 | C-CER,CHIP;0.0056nF,0.25pF,50V,NP | 1    | SA    |        |
| CD11            | 2203-000233        | C-CER,CHIP;0.1nF,5%,50V,COG,1005        | 1        | SA        |        | CJ02   | 2203-000254 | C-CER,CHIP;10nF,10%,16V,X7R,1005  | 1    | SA    |        |
| CD12            | 2203-000233        | C-CER,CHIP;0.1nF,5%,50V,COG,1005        | 1        | SA        |        | CJ03   | 2203-000254 | C-CER,CHIP;10nF,10%,16V,X7R,1005  | 1    | SA    |        |
| CD13            | 2203-000233        | C-CER,CHIP;0.1nF,5%,50V,COG,1005        | 1        | SA        |        | CM01   | 2203-006361 | C-CER,CHIP;1000nF,10%,10V,X5R,TP  | 1    | SC    |        |
| CD14            | 2203-000233        | C-CER,CHIP;0.1nF,5%,50V,COG,1005        | 1        | SA        |        | CM02   | 2203-002709 | C-CER,CHIP;100nF,+80-20%,16V,Y5V, | 1    | SA    |        |
| CD15            | 2203-000233        | C-CER,CHIP;0.1nF,5%,50V,COG,1005        | 1        | SA        |        | CM03   | 2203-002709 | C-CER,CHIP;100nF,+80-20%,16V,Y5V, | 1    | SA    |        |
| CD17            | 2203-006048        | C-CER,CHIP;100nF,10%,10V,X7R,1005       | 1        | SA        |        | CM04   | 2203-002709 | C-CER,CHIP;100nF,+80-20%,16V,Y5V, | 1    | SA    |        |
| CD18            | 2203-006048        | C-CER,CHIP;100nF,10%,10V,X7R,1005       | 1        | SA        |        | CM05   | 2203-002709 | C-CER,CHIP;100nF,+80-20%,16V,Y5V, | 1    | SA    |        |
| CD42            | 2203-000330        | C-CER,CHIP;0.012nF,5%,50V,COG,100       | 1        | SA        |        | CM22   | 2203-002709 | C-CER,CHIP;100nF,+80-20%,16V,Y5V, | 1    | SA    |        |
| CD43            | 2203-000330        | C-CER,CHIP;0.012nF,5%,50V,COG,100       | 1        | SA        |        | CM23   | 2203-002709 | C-CER,CHIP;100nF,+80-20%,16V,Y5V, | 1    | SA    |        |
| CD44            | 2203-002709        | C-CER,CHIP;100nF,+80-20%,16V,Y5V,       | 1        | SA        |        | CM24   | 2203-002709 | C-CER,CHIP;100nF,+80-20%,16V,Y5V, | 1    | SA    |        |
| CD45            | 2203-002709        | C-CER,CHIP;100nF,+80-20%,16V,Y5V,       | 1        | SA        |        | CM25   | 2203-002709 | C-CER,CHIP;100nF,+80-20%,16V,Y5V, | 1    | SA    |        |
| CD46            | 2203-006048        | C-CER,CHIP;100nF,10%,10V,X7R,1005       | 1        | SA        |        | CM26   | 2203-002709 | C-CER,CHIP;100nF,+80-20%,16V,Y5V, | 1    | SA    |        |
| CD47            | 2203-003039        | C-CER,CHIP;0.008nF,0.25pF,50V,COG       | 1        | SA        |        | CM27   | 2203-002709 | C-CER,CHIP;100nF,+80-20%,16V,Y5V, | 1    | SA    |        |
| CD48            | 2203-003039        | C-CER,CHIP;0.008nF,0.25pF,50V,COG       | 1        | SA        |        | CM30   | 2203-002709 | C-CER,CHIP;100nF,+80-20%,16V,Y5V, | 1    | SA    |        |
| CD49            | 2203-002709        | C-CER,CHIP;100nF,+80-20%,16V,Y5V,       | 1        | SA        |        | CN02   | 2203-002709 | C-CER,CHIP;100nF,+80-20%,16V,Y5V, | 1    | SA    |        |
| CD51            | 2203-002709        | C-CER,CHIP;100nF,+80-20%,16V,Y5V,       | 1        | SA        |        | CN04   | 2203-002709 | C-CER,CHIP;100nF,+80-20%,16V,Y5V, | 1    | SA    |        |

| Loc.No | Part No     | Description : Specification       | Q'ty | S.N.A | Remark | Loc.No | Part No     | Description : Specification       | Q'ty | S.N.A | Remark |
|--------|-------------|-----------------------------------|------|-------|--------|--------|-------------|-----------------------------------|------|-------|--------|
| CN05   | 2203-000425 | C-CER,CHIP;0.018nF,5%,50V,COG,100 | 1    | SA    |        | CS03   | 2203-005627 | C-CER,CHIP;470nF,10%,10V,X5R,1608 | 1    | SA    |        |
| CN15   | 2203-002709 | C-CER,CHIP;100nF,+80-20%,16V,Y5V, | 1    | SA    |        | CS04   | 2203-002709 | C-CER,CHIP;100nF,+80-20%,16V,Y5V, | 1    | SA    |        |
| CN16   | 2203-002709 | C-CER,CHIP;100nF,+80-20%,16V,Y5V, | 1    | SA    |        | CS06   | 2203-000254 | C-CER,CHIP;10nF,10%,16V,X7R,1005  | 1    | SA    |        |
| CN18   | 2203-006474 | C-CER,CHIP;2200nF,20%,6.3V,X5R,2  | 1    | SA    |        | CS07   | 2203-000254 | C-CER,CHIP;10nF,10%,16V,X7R,1005  | 1    | SA    |        |
| CNA01  | 3711-002162 | HEADER-BOARD TO CABLE;BOX,2P,1R,1 | 1    | SA    |        | CS09   | 2203-000254 | C-CER,CHIP;10nF,10%,16V,X7R,1005  | 1    | SA    |        |
| CNA02  | 3711-005090 | HEADER-BOARD TO CABLE;BOX,4P,1R,1 | 1    | SA    |        | CS10   | 2203-000254 | C-CER,CHIP;10nF,10%,16V,X7R,1005  | 1    | SA    |        |
| CND01  | 3711-006331 | HEADER-BOARD TO BOARD;BOX,20P,2R, | 1    | SA    |        | CS11   | 2203-006048 | C-CER,CHIP;100nF,10%,10V,X7R,1005 | 1    | SA    |        |
| CNJ01  | 3711-006788 | HEADER-BOARD TO BOARD;BOX,40P,2R, | 1    | SA    |        | CS12   | 2203-005627 | C-CER,CHIP;470nF,10%,10V,X5R,1608 | 1    | SA    |        |
| CNJ02  | 3710-002686 | SOCKET-BOARD TO BOARD;30P,2R,0.4m | 1    | SA    |        | CS13   | 2203-000254 | C-CER,CHIP;10nF,10%,16V,X7R,1005  | 1    | SA    |        |
| CNN01  | 3709-001554 | CONNECTOR-CARD EDGE;12p,2.5mm,SMD | 1    | SA    |        | CS14   | 2203-000254 | C-CER,CHIP;10nF,10%,16V,X7R,1005  | 1    | SA    |        |
| CNS01  | 3710-001478 | SOCKET-BOARD TO BOARD;18P,2R,1mm, | 1    | SA    |        | CS20   | 2203-000254 | C-CER,CHIP;10nF,10%,16V,X7R,1005  | 1    | SA    |        |
| CNV01  | 3711-006445 | HEADER-BOARD TO BOARD;BOX,20P,2R, | 1    | SA    |        | CS31   | 2203-000254 | C-CER,CHIP;10nF,10%,16V,X7R,1005  | 1    | SA    |        |
| CNZ01  | 3708-002530 | CONNECTOR-FPC/FPC/PIC;22P,0.5mm,S | 1    | SA    |        | CS51   | 2203-002709 | C-CER,CHIP;100nF,+80-20%,16V,Y5V, | 1    | SA    |        |
| CP03   | 2203-002709 | C-CER,CHIP;100nF,+80-20%,16V,Y5V, | 1    | SA    |        | CS52   | 2203-002709 | C-CER,CHIP;100nF,+80-20%,16V,Y5V, | 1    | SA    |        |
| CP04   | 2203-006320 | C-CER,CHIP;220nF,10%,16V,X7R,TP,  | 1    | SA    |        | CS53   | 2203-002709 | C-CER,CHIP;100nF,+80-20%,16V,Y5V, | 1    | SA    |        |
| CP05   | 2203-006320 | C-CER,CHIP;220nF,10%,16V,X7R,TP,  | 1    | SA    |        | CS61   | 2203-002709 | C-CER,CHIP;100nF,+80-20%,16V,Y5V, | 1    | SA    |        |
| CP06   | 2203-006048 | C-CER,CHIP;100nF,10%,10V,X7R,1005 | 1    | SA    |        | CS62   | 2203-000254 | C-CER,CHIP;10nF,10%,16V,X7R,1005  | 1    | SA    |        |
| CP07   | 2203-000714 | C-CER,CHIP;3.3nF,10%,50V,X7R,TP,1 | 1    | SA    |        | CS63   | 2203-000254 | C-CER,CHIP;10nF,10%,16V,X7R,1005  | 1    | SA    |        |
| CP08   | 2203-006048 | C-CER,CHIP;100nF,10%,10V,X7R,1005 | 1    | SA    |        | CS64   | 2203-002709 | C-CER,CHIP;100nF,+80-20%,16V,Y5V, | 1    | SA    |        |
| CP09   | 2203-000585 | C-CER,CHIP;0.22nF,10%,50V,X7R,100 | 1    | SA    |        | CS65   | 2404-001020 | C-TA,CHIP;10uF,20%,10V,GP,TP,3216 | 1    | SA    |        |
| CP10   | 2203-000438 | C-CER,CHIP;1nF,10%,50V,X7R,1005   | 1    | SA    |        | CS81   | 2203-000254 | C-CER,CHIP;10nF,10%,16V,X7R,1005  | 1    | SA    |        |
| CP11   | 2203-000438 | C-CER,CHIP;1nF,10%,50V,X7R,1005   | 1    | SA    |        | CV11   | 2203-006361 | C-CER,CHIP;1000nF,10%,10V,X5R,TP  | 1    | SC    |        |
| CP12   | 2203-006048 | C-CER,CHIP;100nF,10%,10V,X7R,1005 | 1    | SA    |        | CV12   | 2203-002709 | C-CER,CHIP;100nF,+80-20%,16V,Y5V, | 1    | SA    |        |
| CP13   | 2203-000940 | C-CER,CHIP;0.47nF,10%,50V,X7R,100 | 1    | SA    |        | CV13   | 2203-006361 | C-CER,CHIP;1000nF,10%,10V,X5R,TP  | 1    | SC    |        |
| CP15   | 2203-005344 | C-CER,CHIP;22nF,10%,25V,X7R,TP,10 | 1    | SA    |        | CV14   | 2203-002709 | C-CER,CHIP;100nF,+80-20%,16V,Y5V, | 1    | SA    |        |
| CP17   | 2203-006320 | C-CER,CHIP;220nF,10%,16V,X7R,TP,  | 1    | SA    |        | CV15   | 2203-002793 | C-CER,CHIP;1000nF,+80-20%,25V,Y5V | 1    | SA    |        |
| CP18   | 2203-006320 | C-CER,CHIP;220nF,10%,16V,X7R,TP,  | 1    | SA    |        | CV16   | 2203-000815 | C-CER,CHIP;0.033nF,5%,50V,COG,160 | 1    | SA    |        |
| CP19   | 2203-005344 | C-CER,CHIP;22nF,10%,25V,X7R,TP,10 | 1    | SA    |        | CV17   | 2203-006048 | C-CER,CHIP;100nF,10%,10V,X7R,1005 | 1    | SA    |        |
| CP20   | 2404-001325 | C-TA,CHIP;22uF,20%,10V,WT,TP,3216 | 1    | SA    |        | CV18   | 2203-006048 | C-CER,CHIP;100nF,10%,10V,X7R,1005 | 1    | SA    |        |
| CP23   | 2404-001020 | C-TA,CHIP;10uF,20%,10V,GP,TP,3216 | 1    | SA    |        | CV19   | 2203-005627 | C-CER,CHIP;470nF,10%,10V,X5R,1608 | 1    | SA    |        |
| CP24   | 2203-002793 | C-CER,CHIP;1000nF,+80-20%,25V,Y5V | 1    | SA    |        | CV20   | 2203-006048 | C-CER,CHIP;100nF,10%,10V,X7R,1005 | 1    | SA    |        |
| CP25   | 2203-002793 | C-CER,CHIP;1000nF,+80-20%,25V,Y5V | 1    | SA    |        | CV21   | 2203-006048 | C-CER,CHIP;100nF,10%,10V,X7R,1005 | 1    | SA    |        |
| CP26   | 2203-006320 | C-CER,CHIP;220nF,10%,16V,X7R,TP,  | 1    | SA    |        | CV22   | 2203-002709 | C-CER,CHIP;100nF,+80-20%,16V,Y5V, | 1    | SA    |        |
| CP27   | 2203-002793 | C-CER,CHIP;1000nF,+80-20%,25V,Y5V | 1    | SA    |        | CV23   | 2203-002709 | C-CER,CHIP;100nF,+80-20%,16V,Y5V, | 1    | SA    |        |
| CP28   | 2203-002793 | C-CER,CHIP;1000nF,+80-20%,25V,Y5V | 1    | SA    |        | CZ01   | 2203-002709 | C-CER,CHIP;100nF,+80-20%,16V,Y5V, | 1    | SA    |        |
| CP29   | 2203-002793 | C-CER,CHIP;1000nF,+80-20%,25V,Y5V | 1    | SA    |        | CZ02   | 2203-005065 | C-CER,CHIP;1000nF,+80-20%,10V,Y5V | 1    | SA    |        |
| CP35   | 2203-006320 | C-CER,CHIP;220nF,10%,16V,X7R,TP,  | 1    | SA    |        | CZ03   | 2203-006048 | C-CER,CHIP;100nF,10%,10V,X7R,1005 | 1    | SA    |        |
| CP36   | 2404-001325 | C-TA,CHIP;22uF,20%,10V,WT,TP,3216 | 1    | SA    |        | CZ04   | 2203-005655 | C-CER,CHIP;1000nF,10%,6.3V,X5R,16 | 1    | SA    |        |
| CP38   | 2203-006320 | C-CER,CHIP;220nF,10%,16V,X7R,TP,  | 1    | SA    |        | CZ05   | 2203-006048 | C-CER,CHIP;100nF,10%,10V,X7R,1005 | 1    | SA    |        |
| CP39   | 2203-006320 | C-CER,CHIP;220nF,10%,16V,X7R,TP,  | 1    | SA    |        | CZ06   | 2203-005655 | C-CER,CHIP;1000nF,10%,6.3V,X5R,16 | 1    | SA    |        |
| CP40   | 2404-001020 | C-TA,CHIP;10uF,20%,10V,GP,TP,3216 | 1    | SA    |        | CZ07   | 2203-006048 | C-CER,CHIP;100nF,10%,10V,X7R,1005 | 1    | SA    |        |
| CP42   | 2203-002793 | C-CER,CHIP;1000nF,+80-20%,25V,Y5V | 1    | SA    |        | CZ09   | 2203-000438 | C-CER,CHIP;1nF,10%,50V,X7R,1005   | 1    | SA    |        |
| CP43   | 2203-006320 | C-CER,CHIP;220nF,10%,16V,X7R,TP,  | 1    | SA    |        | CZ10   | 2203-001432 | C-CER,CHIP;47nF,+80-20%,16V,Y5V,1 | 1    | SA    |        |
| CP44   | 2203-006320 | C-CER,CHIP;220nF,10%,16V,X7R,TP,  | 1    | SA    |        | CZ11   | 2203-000438 | C-CER,CHIP;1nF,10%,50V,X7R,1005   | 1    | SA    |        |
| CP45   | 2203-006320 | C-CER,CHIP;220nF,10%,16V,X7R,TP,  | 1    | SA    |        | CZ12   | 2203-006048 | C-CER,CHIP;100nF,10%,10V,X7R,1005 | 1    | SA    |        |
| CP46   | 2404-001325 | C-TA,CHIP;22uF,20%,10V,WT,TP,3216 | 1    | SA    |        | CZ13   | 2203-006047 | C-CER,CHIP;33nF,10%,16V,X7R,1005  | 1    | SA    |        |
| CP51   | 2203-002793 | C-CER,CHIP;1000nF,+80-20%,25V,Y5V | 1    | SA    |        | CZ14   | 2203-000714 | C-CER,CHIP;3.3nF,10%,50V,X7R,TP,1 | 1    | SA    |        |
| CP52   | 2203-006320 | C-CER,CHIP;220nF,10%,16V,X7R,TP,  | 1    | SA    |        | CZ15   | 2203-006048 | C-CER,CHIP;100nF,10%,10V,X7R,1005 | 1    | SA    |        |
| CP53   | 2203-005921 | C-CER,CHIP;1000nF,20%,4V,X5R,TP,  | 1    | SA    |        | CZ16   | 2203-000254 | C-CER,CHIP;10nF,10%,16V,X7R,1005  | 1    | SA    |        |
| CP54   | 2203-006474 | C-CER,CHIP;2200nF,20%,6.3V,X5R,2  | 1    | SA    |        | CZ17   | 2203-002709 | C-CER,CHIP;100nF,+80-20%,16V,Y5V, | 1    | SA    |        |
| CP55   | 2203-005344 | C-CER,CHIP;22nF,10%,25V,X7R,TP,10 | 1    | SA    |        | CZ18   | 2203-006048 | C-CER,CHIP;100nF,10%,10V,X7R,1005 | 1    | SA    |        |
| CP56   | 2203-005344 | C-CER,CHIP;22nF,10%,25V,X7R,TP,10 | 1    | SA    |        | CZ21   | 2203-006361 | C-CER,CHIP;1000nF,10%,10V,X5R,TP  | 1    | SC    |        |
| CP57   | 2203-000940 | C-CER,CHIP;0.47nF,10%,50V,X7R,100 | 1    | SA    |        | CZ22   | 2203-002709 | C-CER,CHIP;100nF,+80-20%,16V,Y5V, | 1    | SA    |        |
| CP59   | 2203-002793 | C-CER,CHIP;1000nF,+80-20%,25V,Y5V | 1    | SA    |        | CZ23   | 2404-001020 | C-TA,CHIP;10uF,20%,10V,GP,TP,3216 | 1    | SA    |        |
| CP60   | 2203-002793 | C-CER,CHIP;1000nF,+80-20%,25V,Y5V | 1    | SA    |        | CZ24   | 2203-002709 | C-CER,CHIP;100nF,+80-20%,16V,Y5V, | 1    | SA    |        |
| CP61   | 2203-006048 | C-CER,CHIP;100nF,10%,10V,X7R,1005 | 1    | SA    |        | CZ25   | 2404-001020 | C-TA,CHIP;10uF,20%,10V,GP,TP,3216 | 1    | SA    |        |
| CP62   | 2203-002709 | C-CER,CHIP;100nF,+80-20%,16V,Y5V, | 1    | SA    |        | CZ26   | 2203-002709 | C-CER,CHIP;100nF,+80-20%,16V,Y5V, | 1    | SA    |        |
| CP63   | 2203-002709 | C-CER,CHIP;100nF,+80-20%,16V,Y5V, | 1    | SA    |        | CZ27   | 2203-006048 | C-CER,CHIP;100nF,10%,10V,X7R,1005 | 1    | SA    |        |
| CS01   | 2203-000278 | C-CER,CHIP;0.01nF,0.5pF,50V,COG,1 | 1    | SA    |        | DP01   | 0401-001059 | DIODE-SWITCHING;1SS362,80V,80MA,S | 1    | SA    |        |
| CS02   | 2203-003039 | C-CER,CHIP;0.008nF,0.25pF,50V,COG | 1    | SA    |        |        |             |                                   |      |       |        |

Exploded Views and Parts List

| Loc.No | Part No     | Description : Specification        | Q'ty | S.N.A | Remark | Loc.No | Part No     | Description : Specification       | Q'ty | S.N.A | Remark |
|--------|-------------|------------------------------------|------|-------|--------|--------|-------------|-----------------------------------|------|-------|--------|
| DS03   | 0401-001110 | DIODE-SWITCHING;80V,100mA,SOD-523  | 1    | SA    |        | QP23   | 0504-001102 | TR-DIGITAL;EMD3,NPN/PNP,150mW,10K | 1    | SA    |        |
| FCH01  | 3601-001331 | FUSE-SURFACE MOUNT;32V,1.25A,SLOW  | 1    | SA    |        | QP51   | 0506-001066 | TR-ARRAY;UMF5,NPN/PNP,2,150mW,SC- | 1    | SA    |        |
| FCH02  | 3601-001331 | FUSE-SURFACE MOUNT;32V,1.25A,SLOW  | 1    | SA    |        | QS01   | 0506-001066 | TR-ARRAY;UMF5,NPN/PNP,2,150mW,SC- | 1    | SA    |        |
| ICA01  | 1205-002877 | IC-CODEC;AK4642EN,QFN,32P,5x5mm,P  | 1    | SNA   |        | QZ07   | 0501-000225 | TR-SMALL SIGNAL;2SC4617,NPN,200mW | 1    | SA    |        |
| ICA02  | 1201-002413 | IC-VIDEO AMP;MAX9502GELT,uDFN,6P,  | 1    | SA    |        | QZ21   | 0504-001025 | TR-DIGITAL;DTC143EE,NPN,150mW,4.7 | 1    | SA    |        |
| ICD01  | AD13-00049A | IC-DSP-NIKE;S5C7329X01,440Pin,15*  | 1    | SNA   |        | RA09   | 2007-000171 | R-CHIP;0ohm,5%,1/16W,TP,1005      | 1    | SA    |        |
| ICM01  | 1107-001762 | IC-NOR FLASH;S29GL064N90TFI040,64  | 1    | SNA   |        | RA10   | 2007-000162 | R-CHIP;100Kohm,5%,1/16W,TP,1005   | 1    | SA    |        |
| ICM02  | 1105-002025 | IC-DDR SDRAM;A3S12D40ETP-G5,DDR,5  | 1    | SNA   |        | RA15   | 2007-000140 | R-CHIP;1Kohm,5%,1/16W,TP,1005     | 1    | SA    |        |
| ICN02  | 1107-001714 | IC-FLASH MEMORY;K9MDG08U5M,128Gbi  | 1    | SNA   |        | RA18   | 2007-000140 | R-CHIP;1Kohm,5%,1/16W,TP,1005     | 1    | SA    |        |
| ICP01  | 1203-003567 | IC-PWM CONTROLLER;BD9833KV,VQFP,4  | 1    | SA    |        | RA19   | 2007-000140 | R-CHIP;1Kohm,5%,1/16W,TP,1005     | 1    | SA    |        |
| ICP02  | 1203-002807 | IC-POSI.FIXED REG.;XC6413FY01MR,S  | 1    | SA    |        | RA20   | 2007-008015 | R-CHIP;75ohm,1%,1/16W,TP,1005     | 1    | SA    |        |
| ICS01  | AD09-00292A | IC MICOM;UPD78F0535GA-9EV-A,SC-MX  | 1    | SNA   |        | RA21   | 2007-000140 | R-CHIP;1Kohm,5%,1/16W,TP,1005     | 1    | SA    |        |
| ICS03  | 1009-001010 | IC-HALL EFFECT S/W;A3212ELH/HED55  | 1    | SA    |        | RA22   | 2007-000162 | R-CHIP;100Kohm,5%,1/16W,TP,1005   | 1    | SA    |        |
| ICS05  | 0909-001058 | IC-REAL TIME CLOCK;R2051T01,TSSOP  | 1    | SA    |        | RA26   | 2007-000171 | R-CHIP;0ohm,5%,1/16W,TP,1005      | 1    | SA    |        |
| ICS06  | 1203-002807 | IC-POSI.FIXED REG.;XC6413FY01MR,S  | 1    | SA    |        | RA27   | 2007-000171 | R-CHIP;0ohm,5%,1/16W,TP,1005      | 1    | SA    |        |
| ICV11  | 1002-001449 | IC-A/D CONVERTER;VSP2582RHN,12,QF  | 1    | SA    |        | RA29   | 2007-000148 | R-CHIP;10Kohm,5%,1/16W,TP,1005    | 1    | SA    |        |
| ICZ01  | 1003-001988 | IC-MOTOR DRIVER;uPD168104,WQFN,56  | 1    | SA    |        | RA30   | 2007-000148 | R-CHIP;10Kohm,5%,1/16W,TP,1005    | 1    | SA    |        |
| JU02   | 3722-001741 | JACK-MINI USB;5P1/C,AU30U,BLK,SMD  | 1    | SA    |        | RA35   | 2007-000171 | R-CHIP;0ohm,5%,1/16W,TP,1005      | 1    | SA    |        |
| LA01   | 2703-002723 | INDUCTOR-SMD;22UH,10%,2012         | 1    | SA    |        | RA36   | 2007-000171 | R-CHIP;0ohm,5%,1/16W,TP,1005      | 1    | SA    |        |
| LA02   | 2703-002723 | INDUCTOR-SMD;22UH,10%,2012         | 1    | SA    |        | RA37   | 2007-000140 | R-CHIP;1Kohm,5%,1/16W,TP,1005     | 1    | SA    |        |
| LA03   | 2703-001863 | INDUCTOR-SMD;6.8uH,20%,2520        | 1    | SA    |        | RA38   | 2007-000171 | R-CHIP;0ohm,5%,1/16W,TP,1005      | 1    | SA    |        |
| LA04   | 2703-002727 | INDUCTOR-SMD;4.7uH,20%,2012        | 1    | SA    |        | RA39   | 2007-000148 | R-CHIP;10Kohm,5%,1/16W,TP,1005    | 1    | SA    |        |
| LD81   | 3301-001649 | BEAD-SMD;180ohm,1608,-,TP,-,226oh  | 1    | SA    |        | RA40   | 2007-000141 | R-CHIP;2.2Kohm,5%,1/16W,TP,1005   | 1    | SA    |        |
| LD82   | 3301-001649 | BEAD-SMD;180ohm,1608,-,TP,-,226oh  | 1    | SA    |        | RA41   | 2007-000141 | R-CHIP;2.2Kohm,5%,1/16W,TP,1005   | 1    | SA    |        |
| LD83   | 3301-001649 | BEAD-SMD;180ohm,1608,-,TP,-,226oh  | 1    | SA    |        | RD01   | 2007-000173 | R-CHIP;22ohm,5%,1/16W,TP,1005     | 1    | SA    |        |
| LD84   | 2007-000070 | R-CHIP;0ohm,5%,1/10W,TP,1608       | 1    | SA    |        | RD02   | 2007-000172 | R-CHIP;10ohm,5%,1/16W,TP,1005     | 1    | SA    |        |
| LD85   | 2007-000070 | R-CHIP;0ohm,5%,1/10W,TP,1608       | 1    | SA    |        | RD03   | 2007-000172 | R-CHIP;10ohm,5%,1/16W,TP,1005     | 1    | SA    |        |
| LD86   | 3301-001649 | BEAD-SMD;180ohm,1608,-,TP,-,226oh  | 1    | SA    |        | RD05   | 2007-000171 | R-CHIP;0ohm,5%,1/16W,TP,1005      | 1    | SA    |        |
| LD87   | 3301-001649 | BEAD-SMD;180ohm,1608,-,TP,-,226oh  | 1    | SA    |        | RD08   | 2007-000162 | R-CHIP;100Kohm,5%,1/16W,TP,1005   | 1    | SA    |        |
| LM01   | 2703-002727 | INDUCTOR-SMD;4.7uH,20%,2012        | 1    | SA    |        | RD09   | 2007-000138 | R-CHIP;100ohm,5%,1/16W,TP,1005    | 1    | SA    |        |
| LP01   | 2703-002776 | INDUCTOR-SMD;22uH,20%,4x4mm        | 1    | SA    |        | RD10   | 3301-001810 | BEAD-SMD;240ohm,1005,TP,175ohm/11 | 1    | SA    |        |
| LP03   | 2703-001863 | INDUCTOR-SMD;6.8uH,20%,2520        | 1    | SA    |        | RD100  | 2007-007306 | R-CHIP;100ohm,1%,1/16W,TP,1005    | 1    | SA    |        |
| LP04   | 2703-002776 | INDUCTOR-SMD;22uH,20%,4x4mm        | 1    | SA    |        | RD101  | 2007-000162 | R-CHIP;100Kohm,5%,1/16W,TP,1005   | 1    | SA    |        |
| LP05   | 2703-002723 | INDUCTOR-SMD;22UH,10%,2012         | 1    | SA    |        | RD102  | 2007-007306 | R-CHIP;100ohm,1%,1/16W,TP,1005    | 1    | SA    |        |
| LP07   | 2703-002776 | INDUCTOR-SMD;22uH,20%,4x4mm        | 1    | SA    |        | RD103  | 2007-007306 | R-CHIP;100ohm,1%,1/16W,TP,1005    | 1    | SA    |        |
| LP09   | 2703-002776 | INDUCTOR-SMD;22uH,20%,4x4mm        | 1    | SA    |        | RD105  | 2007-000148 | R-CHIP;10Kohm,5%,1/16W,TP,1005    | 1    | SA    |        |
| LP10   | 2703-002724 | INDUCTOR-SMD;10uH,10%,2012         | 1    | SA    |        | RD106  | 2007-000148 | R-CHIP;10Kohm,5%,1/16W,TP,1005    | 1    | SA    |        |
| LP12   | 2703-002776 | INDUCTOR-SMD;22uH,20%,4x4mm        | 1    | SA    |        | RD107  | 2007-001119 | R-CHIP;680ohm,5%,1/16W,TP,1005    | 1    | SA    |        |
| LP13   | 2703-002776 | INDUCTOR-SMD;22uH,20%,4x4mm        | 1    | SA    |        | RD108  | 2007-000162 | R-CHIP;100Kohm,5%,1/16W,TP,1005   | 1    | SA    |        |
| LV11   | 2703-002727 | INDUCTOR-SMD;4.7uH,20%,2012        | 1    | SA    |        | RD109  | 2007-000162 | R-CHIP;100Kohm,5%,1/16W,TP,1005   | 1    | SA    |        |
| LV12   | 2703-002727 | INDUCTOR-SMD;4.7uH,20%,2012        | 1    | SA    |        | RD11   | 3301-001810 | BEAD-SMD;240ohm,1005,TP,175ohm/11 | 1    | SA    |        |
| LZ21   | 2703-002723 | INDUCTOR-SMD;22UH,10%,2012         | 1    | SA    |        | RD12   | 2007-000140 | R-CHIP;1Kohm,5%,1/16W,TP,1005     | 1    | SA    |        |
| LZ22   | 2703-002723 | INDUCTOR-SMD;22UH,10%,2012         | 1    | SA    |        | RD13   | 3301-001810 | BEAD-SMD;240ohm,1005,TP,175ohm/11 | 1    | SA    |        |
| LZ23   | 2703-002723 | INDUCTOR-SMD;22UH,10%,2012         | 1    | SA    |        | RD14   | 3301-001810 | BEAD-SMD;240ohm,1005,TP,175ohm/11 | 1    | SA    |        |
| NULL1  | 0202-001626 | SOLDER-CREAM;PF305-118EO,D15-35,9  | 0.77 | SNA   |        | RD15   | 3301-001810 | BEAD-SMD;240ohm,1005,TP,175ohm/11 | 1    | SA    |        |
| NULL2  | AD41-01181A | PCB-MAIN;MX20-PJ,FR-4,8L,00,T1,0,  | 0.5  | SNA   |        | RD16   | 3301-001810 | BEAD-SMD;240ohm,1005,TP,175ohm/11 | 1    | SA    |        |
| Q120   | 0506-001066 | TR-ARRAY;UMF5,NPN/PNP,2,150mW,SC-  | 1    | SA    |        | RD17   | 3301-001810 | BEAD-SMD;240ohm,1005,TP,175ohm/11 | 1    | SA    |        |
| QP01   | 0505-001725 | FET-SILICON;MCH5818,P,-12V,-1.5A,  | 1    | SA    |        | RD18   | 3301-001810 | BEAD-SMD;240ohm,1005,TP,175ohm/11 | 1    | SA    |        |
| QP02   | 0504-000168 | TR-DIGITAL;RN1104,NPN,100mW,47K/4  | 1    | SA    |        | RD19   | 3301-001810 | BEAD-SMD;240ohm,1005,TP,175ohm/11 | 1    | SA    |        |
| QP04   | 0501-000225 | TR-SMALL SIGNAL;2SC4617,NPN,200mW  | 1    | SA    |        | RD20   | 3301-001810 | BEAD-SMD;240ohm,1005,TP,175ohm/11 | 1    | SA    |        |
| QP05   | 0505-001646 | FET/SBD;MCH5803,N,30V,1.4A,370MOH  | 1    | SA    |        | RD21   | 3301-001810 | BEAD-SMD;240ohm,1005,TP,175ohm/11 | 1    | SA    |        |
| QP09   | 0505-001725 | FET-SILICON;MCH5818,P,-12V,-1.5A,  | 1    | SA    |        | RD22   | 2007-000162 | R-CHIP;100Kohm,5%,1/16W,TP,1005   | 1    | SA    |        |
| QP11   | 0505-001725 | FET-SILICON;MCH5818,P,-12V,-1.5A,  | 1    | SA    |        | RD23   | 2007-000162 | R-CHIP;100Kohm,5%,1/16W,TP,1005   | 1    | SA    |        |
| QP12   | 0505-001725 | FET-SILICON;MCH5818,P,-12V,-1.5A,  | 1    | SA    |        | RD24   | 2007-000162 | R-CHIP;100Kohm,5%,1/16W,TP,1005   | 1    | SA    |        |
| QP13   | 0505-001725 | FET-SILICON;MCH5818,P,-12V,-1.5A,  | 1    | SA    |        | RD26   | 2007-000162 | R-CHIP;100Kohm,5%,1/16W,TP,1005   | 1    | SA    |        |
| QP15   | 0504-001102 | TR-DIGITAL;EMD3,NPN/PNP,150mW,10K  | 1    | SA    |        | RD29   | 2007-000171 | R-CHIP;0ohm,5%,1/16W,TP,1005      | 1    | SA    |        |
| QP19   | 0506-001066 | TR-ARRAY;UMF5,NPN/PNP,2,150mW,SC-  | 1    | SA    |        | RD31   | 2007-000171 | R-CHIP;0ohm,5%,1/16W,TP,1005      | 1    | SA    |        |
| QP21   | 0501-000552 | TR-SMALL SIGNAL;2SA1774-Q,P,NP,150 | 1    | SA    |        | RD32   | 2007-000162 | R-CHIP;100Kohm,5%,1/16W,TP,1005   | 1    | SA    |        |
| QP22   | 0504-001102 | TR-DIGITAL;EMD3,NPN/PNP,150mW,10K  | 1    | SA    |        | RD34   | 2007-000148 | R-CHIP;10Kohm,5%,1/16W,TP,1005    | 1    | SA    |        |

| Loc.No | Part No     | Description : Specification     | Q'ty | S.N.A | Remark | Loc.No | Part No     | Description : Specification      | Q'ty | S.N.A | Remark |
|--------|-------------|---------------------------------|------|-------|--------|--------|-------------|----------------------------------|------|-------|--------|
| RD35   | 2007-000148 | R-CHIP;10Kohm,5%,1/16W,TP,1005  | 1    | SA    |        | RN05   | 2007-000157 | R-CHIP;47Kohm,5%,1/16W,TP,1005   | 1    | SA    |        |
| RD36   | 2007-000162 | R-CHIP;100Kohm,5%,1/16W,TP,1005 | 1    | SA    |        | RN06   | 2007-000157 | R-CHIP;47Kohm,5%,1/16W,TP,1005   | 1    | SA    |        |
| RD37   | 2007-000148 | R-CHIP;10Kohm,5%,1/16W,TP,1005  | 1    | SA    |        | RN07   | 2007-000157 | R-CHIP;47Kohm,5%,1/16W,TP,1005   | 1    | SA    |        |
|        |             |                                 |      |       |        | RN18   | 2007-000162 | R-CHIP;100Kohm,5%,1/16W,TP,1005  | 1    | SA    |        |
| RD38   | 2007-000148 | R-CHIP;10Kohm,5%,1/16W,TP,1005  | 1    | SA    |        |        |             |                                  |      |       |        |
| RD41   | 2007-000171 | R-CHIP;0ohm,5%,1/16W,TP,1005    | 1    | SA    |        | RN19   | 2007-000162 | R-CHIP;100Kohm,5%,1/16W,TP,1005  | 1    | SA    |        |
| RD42   | 2007-000173 | R-CHIP;22ohm,5%,1/16W,TP,1005   | 1    | SA    |        | RN20   | 2007-000162 | R-CHIP;100Kohm,5%,1/16W,TP,1005  | 1    | SA    |        |
| RD43   | 2007-000170 | R-CHIP;1Mohm,5%,1/16W,TP,1005   | 1    | SA    |        | RN31   | 2007-000162 | R-CHIP;100Kohm,5%,1/16W,TP,1005  | 1    | SA    |        |
| RD44   | 2007-000162 | R-CHIP;100Kohm,5%,1/16W,TP,1005 | 1    | SA    |        | RN32   | 2007-000162 | R-CHIP;100Kohm,5%,1/16W,TP,1005  | 1    | SA    |        |
|        |             |                                 |      |       |        | RP01   | 2007-007318 | R-CHIP;1Kohm,1%,1/16W,TP,1005    | 1    | SA    |        |
| RD46   | 2007-000162 | R-CHIP;100Kohm,5%,1/16W,TP,1005 | 1    | SA    |        | RP02   | 2007-007312 | R-CHIP;20Kohm,1%,1/16W,TP,1005   | 1    | SA    |        |
| RD47   | 2007-000148 | R-CHIP;10Kohm,5%,1/16W,TP,1005  | 1    | SA    |        |        |             |                                  |      |       |        |
| RD49   | 2007-000170 | R-CHIP;1Mohm,5%,1/16W,TP,1005   | 1    | SA    |        | RP03   | 2007-007142 | R-CHIP;10Kohm,1%,1/16W,TP,1005   | 1    | SA    |        |
| RD52   | 2007-000142 | R-CHIP;2.7Kohm,5%,1/16W,TP,1005 | 1    | SA    |        | RP04   | 2007-007309 | R-CHIP;12Kohm,1%,1/16W,TP,1005   | 1    | SA    |        |
| RD53   | 2007-000142 | R-CHIP;2.7Kohm,5%,1/16W,TP,1005 | 1    | SA    |        | RP05   | 2007-007946 | R-CHIP;470Kohm,1%,1/16W,TP,1005  | 1    | SA    |        |
|        |             |                                 |      |       |        | RP06   | 2007-007946 | R-CHIP;470Kohm,1%,1/16W,TP,1005  | 1    | SA    |        |
| RD54   | 2007-000142 | R-CHIP;2.7Kohm,5%,1/16W,TP,1005 | 1    | SA    |        | RP07   | 2007-000152 | R-CHIP;20Kohm,5%,1/16W,TP,1005   | 1    | SA    |        |
| RD55   | 2007-000159 | R-CHIP;56Kohm,5%,1/16W,TP,1005  | 1    | SA    |        | RP08   | 2007-000162 | R-CHIP;100Kohm,5%,1/16W,TP,1005  | 1    | SA    |        |
| RD56   | 2007-000775 | R-CHIP;33Kohm,5%,1/16W,TP,1005  | 1    | SA    |        |        |             |                                  |      |       |        |
| RD57   | 2007-000159 | R-CHIP;56Kohm,5%,1/16W,TP,1005  | 1    | SA    |        | RP09   | 2007-000162 | R-CHIP;100Kohm,5%,1/16W,TP,1005  | 1    | SA    |        |
| RD58   | 2007-000775 | R-CHIP;33Kohm,5%,1/16W,TP,1005  | 1    | SA    |        | RP10   | 2007-007134 | R-CHIP;39Kohm,1%,1/16W,TP,1005   | 1    | SA    |        |
|        |             |                                 |      |       |        | RP11   | 2007-000152 | R-CHIP;20Kohm,5%,1/16W,TP,1005   | 1    | SA    |        |
| RD59   | 2007-000159 | R-CHIP;56Kohm,5%,1/16W,TP,1005  | 1    | SA    |        | RP13   | 2007-000982 | R-CHIP;5.6Kohm,5%,1/16W,TP,1005  | 1    | SA    |        |
| RD60   | 2007-000775 | R-CHIP;33Kohm,5%,1/16W,TP,1005  | 1    | SA    |        | RP15   | 2007-000982 | R-CHIP;5.6Kohm,5%,1/16W,TP,1005  | 1    | SA    |        |
| RD84   | 2007-000148 | R-CHIP;10Kohm,5%,1/16W,TP,1005  | 1    | SA    |        |        |             |                                  |      |       |        |
| RD85   | 2007-000148 | R-CHIP;10Kohm,5%,1/16W,TP,1005  | 1    | SA    |        | RP16   | 2007-007132 | R-CHIP;15Kohm,1%,1/16W,TP,1005   | 1    | SA    |        |
| RD86   | 2007-000148 | R-CHIP;10Kohm,5%,1/16W,TP,1005  | 1    | SA    |        | RP17   | 2007-007142 | R-CHIP;10Kohm,1%,1/16W,TP,1005   | 1    | SA    |        |
|        |             |                                 |      |       |        | RP20   | 2007-000171 | R-CHIP;0ohm,5%,1/16W,TP,1005     | 1    | SA    |        |
| RD87   | 2007-000148 | R-CHIP;10Kohm,5%,1/16W,TP,1005  | 1    | SA    |        | RP21   | 2007-008037 | R-CHIP;57.6Kohm,1%,1/16W,TP,1005 | 1    | SA    |        |
| RD88   | 2007-000140 | R-CHIP;1Kohm,5%,1/16W,TP,1005   | 1    | SA    |        | RP24   | 2007-007588 | R-CHIP;1.8Kohm,1%,1/16W,TP,1005  | 1    | SA    |        |
| RD91   | 2007-000140 | R-CHIP;1Kohm,5%,1/16W,TP,1005   | 1    | SA    |        |        |             |                                  |      |       |        |
| RD92   | 2007-000171 | R-CHIP;0ohm,5%,1/16W,TP,1005    | 1    | SA    |        | RP25   | 2007-007318 | R-CHIP;1Kohm,1%,1/16W,TP,1005    | 1    | SA    |        |
| RD93   | 2007-000171 | R-CHIP;0ohm,5%,1/16W,TP,1005    | 1    | SA    |        | RP26   | 2007-007309 | R-CHIP;12Kohm,1%,1/16W,TP,1005   | 1    | SA    |        |
|        |             |                                 |      |       |        | RP28   | 2007-008300 | R-CHIP;5.11Kohm,1%,1/16W,TP,1005 | 1    | SA    |        |
| RD94   | 2007-000172 | R-CHIP;10ohm,5%,1/16W,TP,1005   | 1    | SA    |        | RP30   | 2007-008037 | R-CHIP;57.6Kohm,1%,1/16W,TP,1005 | 1    | SA    |        |
| RD95   | 2007-000172 | R-CHIP;10ohm,5%,1/16W,TP,1005   | 1    | SA    |        | RP36   | 2007-000153 | R-CHIP;22Kohm,5%,1/16W,TP,1005   | 1    | SA    |        |
| RD96   | 2007-000172 | R-CHIP;10ohm,5%,1/16W,TP,1005   | 1    | SA    |        |        |             |                                  |      |       |        |
| RD97   | 2007-000138 | R-CHIP;100ohm,5%,1/16W,TP,1005  | 1    | SA    |        | RP37   | 2007-001325 | R-CHIP;3.3Kohm,5%,1/16W,TP,1005  | 1    | SA    |        |
| RD98   | 2007-000138 | R-CHIP;100ohm,5%,1/16W,TP,1005  | 1    | SA    |        | RP42   | 2007-000153 | R-CHIP;22Kohm,5%,1/16W,TP,1005   | 1    | SA    |        |
|        |             |                                 |      |       |        | RP43   | 2007-001325 | R-CHIP;3.3Kohm,5%,1/16W,TP,1005  | 1    | SA    |        |
| RJ01   | 2007-000171 | R-CHIP;0ohm,5%,1/16W,TP,1005    | 1    | SA    |        | RP51   | 2007-007528 | R-CHIP;1.5Kohm,1%,1/16W,TP,1005  | 1    | SA    |        |
| RJ02   | 2007-000171 | R-CHIP;0ohm,5%,1/16W,TP,1005    | 1    | SA    |        | RP52   | 2007-007470 | R-CHIP;7.5Kohm,1%,1/16W,TP,1005  | 1    | SA    |        |
| RJ05   | 2007-000566 | R-CHIP;220Kohm,5%,1/16W,TP,1005 | 1    | SA    |        |        |             |                                  |      |       |        |
| RJ06   | 2007-000163 | R-CHIP;120Kohm,5%,1/16W,TP,1005 | 1    | SA    |        | RP53   | 2007-008417 | R-CHIP;34Kohm,1%,1/16W,TP,1005   | 1    | SA    |        |
| RJ07   | 2007-000164 | R-CHIP;150Kohm,5%,1/16W,TP,1005 | 1    | SA    |        | RP54   | 2007-000982 | R-CHIP;5.6Kohm,5%,1/16W,TP,1005  | 1    | SA    |        |
|        |             |                                 |      |       |        | RP55   | 2007-007142 | R-CHIP;10Kohm,1%,1/16W,TP,1005   | 1    | SA    |        |
| RJ08   | 2007-000566 | R-CHIP;220Kohm,5%,1/16W,TP,1005 | 1    | SA    |        | RP56   | 2007-007132 | R-CHIP;15Kohm,1%,1/16W,TP,1005   | 1    | SA    |        |
| RM01   | 2007-000162 | R-CHIP;100Kohm,5%,1/16W,TP,1005 | 1    | SA    |        | RP57   | 2007-007309 | R-CHIP;12Kohm,1%,1/16W,TP,1005   | 1    | SA    |        |
| RM02   | 2007-000162 | R-CHIP;100Kohm,5%,1/16W,TP,1005 | 1    | SA    |        |        |             |                                  |      |       |        |
| RM04   | 2007-000162 | R-CHIP;100Kohm,5%,1/16W,TP,1005 | 1    | SA    |        | RP58   | 2007-000982 | R-CHIP;5.6Kohm,5%,1/16W,TP,1005  | 1    | SA    |        |
| RM06   | 2007-000162 | R-CHIP;100Kohm,5%,1/16W,TP,1005 | 1    | SA    |        | RP59   | 2007-000171 | R-CHIP;0ohm,5%,1/16W,TP,1005     | 1    | SA    |        |
|        |             |                                 |      |       |        | RP60   | 2007-007138 | R-CHIP;27Kohm,1%,1/16W,TP,1005   | 1    | SA    |        |
| RM16   | 2007-000171 | R-CHIP;0ohm,5%,1/16W,TP,1005    | 1    | SA    |        | RP61   | 2007-007313 | R-CHIP;6.8Kohm,1%,1/16W,TP,1005  | 1    | SA    |        |
| RM17   | 2007-000171 | R-CHIP;0ohm,5%,1/16W,TP,1005    | 1    | SA    |        | RP62   | 2007-000152 | R-CHIP;20Kohm,5%,1/16W,TP,1005   | 1    | SA    |        |
| RM18   | 2007-000171 | R-CHIP;0ohm,5%,1/16W,TP,1005    | 1    | SA    |        |        |             |                                  |      |       |        |
| RM19   | 2007-000171 | R-CHIP;0ohm,5%,1/16W,TP,1005    | 1    | SA    |        | RP75   | 2007-008391 | R-CHIP;6.34Kohm,1%,1/16W,TP,1005 | 1    | SA    |        |
| RM21   | 2007-007142 | R-CHIP;10Kohm,1%,1/16W,TP,1005  | 1    | SA    |        | RP76   | 2007-007312 | R-CHIP;20Kohm,1%,1/16W,TP,1005   | 1    | SA    |        |
|        |             |                                 |      |       |        | RP91   | 2007-001325 | R-CHIP;3.3Kohm,5%,1/16W,TP,1005  | 1    | SA    |        |
| RM22   | 2007-007142 | R-CHIP;10Kohm,1%,1/16W,TP,1005  | 1    | SA    |        | RP92   | 2007-000153 | R-CHIP;22Kohm,5%,1/16W,TP,1005   | 1    | SA    |        |
| RM45   | 2007-000162 | R-CHIP;100Kohm,5%,1/16W,TP,1005 | 1    | SA    |        | RS05   | 2007-000140 | R-CHIP;1Kohm,5%,1/16W,TP,1005    | 1    | SA    |        |
| RM46   | 2007-000162 | R-CHIP;100Kohm,5%,1/16W,TP,1005 | 1    | SA    |        |        |             |                                  |      |       |        |
| RM47   | 2007-000162 | R-CHIP;100Kohm,5%,1/16W,TP,1005 | 1    | SA    |        | RS06   | 2007-000148 | R-CHIP;10Kohm,5%,1/16W,TP,1005   | 1    | SA    |        |
| RM48   | 2007-000162 | R-CHIP;100Kohm,5%,1/16W,TP,1005 | 1    | SA    |        | RS08   | 2007-000162 | R-CHIP;100Kohm,5%,1/16W,TP,1005  | 1    | SA    |        |
|        |             |                                 |      |       |        | RS09   | 2007-000162 | R-CHIP;100Kohm,5%,1/16W,TP,1005  | 1    | SA    |        |
| RM49   | 2007-000171 | R-CHIP;0ohm,5%,1/16W,TP,1005    | 1    | SA    |        | RS11   | 2007-000140 | R-CHIP;1Kohm,5%,1/16W,TP,1005    | 1    | SA    |        |
| RM50   | 2007-000171 | R-CHIP;0ohm,5%,1/16W,TP,1005    | 1    | SA    |        | RS15   | 2007-000140 | R-CHIP;1Kohm,5%,1/16W,TP,1005    | 1    | SA    |        |
| RN01   | 2007-000162 | R-CHIP;100Kohm,5%,1/16W,TP,1005 | 1    | SA    |        |        |             |                                  |      |       |        |
| RN02   | 2007-000148 | R-CHIP;10Kohm,5%,1/16W,TP,1005  | 1    | SA    |        | RS17   | 2007-000162 | R-CHIP;100Kohm,5%,1/16W,TP,1005  | 1    | SA    |        |
| RN03   | 2007-000162 | R-CHIP;100Kohm,5%,1/16W,TP,1005 | 1    | SA    |        | RS18   | 2007-000140 | R-CHIP;1Kohm,5%,1/16W,TP,1005    | 1    | SA    |        |
|        |             |                                 |      |       |        | RS20   | 2007-000140 | R-CHIP;1Kohm,5%,1/16W,TP,1005    | 1    | SA    |        |
| RN04   | 2007-000157 | R-CHIP;47Kohm,5%,1/16W,TP,1005  | 1    | SA    |        | RS25   | 2007-000143 | R-CHIP;4.7Kohm,5%,1/16W,TP,1005  | 1    | SA    |        |

Exploded Views and Parts List

| Loc.No | Part No     | Description : Specification     | Q'ty | S.N.A | Remark | Loc.No                  | Part No                                   | Description : Specification         | Q'ty      | S.N.A | Remark |
|--------|-------------|---------------------------------|------|-------|--------|-------------------------|---|-------------------------------------|-----------|-------|--------|
| RS26   | 2007-000140 | R-CHIP;1Kohm,5%,1/16W,TP,1005   | 1    | SA    |        | RZ26                    | 2007-000159                               | R-CHIP;56Kohm,5%,1/16W,TP,1005      | 1         | SA    |        |
| RS27   | 2007-000162 | R-CHIP;100Kohm,5%,1/16W,TP,1005 | 1    | SA    |        | RZ27                    | 2007-000143                               | R-CHIP;4.7Kohm,5%,1/16W,TP,1005     | 1         | SA    |        |
| RS28   | 2007-000140 | R-CHIP;1Kohm,5%,1/16W,TP,1005   | 1    | SA    |        | RZ30                    | 2007-001307                               | R-CHIP;180ohm,5%,1/16W,TP,1005      | 1         | SA    |        |
| RS29   | 2007-007107 | R-CHIP;100Kohm,1%,1/16W,TP,1005 | 1    | SA    |        | RZ31                    | 2007-001307                               | R-CHIP;180ohm,5%,1/16W,TP,1005      | 1         | SA    |        |
| RS33   | 2007-000148 | R-CHIP;10Kohm,5%,1/16W,TP,1005  | 1    | SA    |        | RZ32                    | 2007-000162                               | R-CHIP;100Kohm,5%,1/16W,TP,1005     | 1         | SA    |        |
| RS34   | 2007-000148 | R-CHIP;10Kohm,5%,1/16W,TP,1005  | 1    | SA    |        | SWS01                   | 3404-001216                               | SWITCH-TACT;12V DC,20mA,160gf,4.5   | 1         | SA    |        |
| RS36   | 2007-000162 | R-CHIP;100Kohm,5%,1/16W,TP,1005 | 1    | SA    |        | SWS02                   | 3404-001216                               | SWITCH-TACT;12V DC,20mA,160gf,4.5   | 1         | SA    |        |
| RS37   | 2007-000148 | R-CHIP;10Kohm,5%,1/16W,TP,1005  | 1    | SA    |        | SWS03                   | 3404-001216                               | SWITCH-TACT;12V DC,20mA,160gf,4.5   | 1         | SA    |        |
| RS38   | 2007-000148 | R-CHIP;10Kohm,5%,1/16W,TP,1005  | 1    | SA    |        | XD01                    | 2801-004164                               | CRYSTAL-SMD;12MHZ,50PPM,28-AC1,7P   | 1         | SA    |        |
| RS39   | 2007-000148 | R-CHIP;10Kohm,5%,1/16W,TP,1005  | 1    | SA    |        | XD02                    | 2801-004784                               | CRYSTAL-SMD;48MHZ,30ppm,-,7pF,50o   | 1         | SA    |        |
| RS40   | 2007-000148 | R-CHIP;10Kohm,5%,1/16W,TP,1005  | 1    | SA    |        | XS51                    | 2801-003856                               | CRYSTAL-SMD;0.032768MHz,20ppm,28-   | 1         | SA    |        |
| RS42   | 2007-000140 | R-CHIP;1Kohm,5%,1/16W,TP,1005   | 1    | SA    |        | <b>LCD Board</b>        |   |                                     |           |       |        |
| RS43   | 2007-000170 | R-CHIP;1Mohm,5%,1/16W,TP,1005   | 1    | SA    |        | <b>P004 AD97-16201A</b> | <b>ASSY-LCD BOARD;MX20-PJ,SC-MX20C,AS</b> | <b>1</b>                            | <b>SA</b> |       |        |
| RS44   | 2007-000153 | R-CHIP;22Kohm,5%,1/16W,TP,1005  | 1    | SA    |        | CL01                    | 2203-002793                               | C-CER,CHIP;1000nF,+80-20%,25V,Y5V,  | 1         | SA    |        |
| RS45   | 2007-001325 | R-CHIP;3.3Kohm,5%,1/16W,TP,1005 | 1    | SA    |        | CL02                    | 2203-002793                               | C-CER,CHIP;1000nF,+80-20%,25V,Y5V,  | 1         | SA    |        |
| RS46   | 2007-000171 | R-CHIP;0ohm,5%,1/16W,TP,1005    | 1    | SA    |        | CL03                    | 2203-002793                               | C-CER,CHIP;1000nF,+80-20%,25V,Y5V,  | 1         | SA    |        |
| RS47   | 2007-000171 | R-CHIP;0ohm,5%,1/16W,TP,1005    | 1    | SA    |        | CL04                    | 2203-005664                               | C-CER,CHIP;4700nF,10%,6.3V,X5R,201  | 1         | SC    |        |
| RS48   | 2007-000171 | R-CHIP;0ohm,5%,1/16W,TP,1005    | 1    | SA    |        | CL05                    | 2203-002793                               | C-CER,CHIP;1000nF,+80-20%,25V,Y5V,  | 1         | SA    |        |
| RS49   | 2007-000171 | R-CHIP;0ohm,5%,1/16W,TP,1005    | 1    | SA    |        | CL06                    | 2203-002793                               | C-CER,CHIP;1000nF,+80-20%,25V,Y5V,  | 1         | SA    |        |
| RS50   | 2007-000162 | R-CHIP;100Kohm,5%,1/16W,TP,1005 | 1    | SA    |        | CL07                    | 2203-002793                               | C-CER,CHIP;1000nF,+80-20%,25V,Y5V,  | 1         | SA    |        |
| RS51   | 2007-000148 | R-CHIP;10Kohm,5%,1/16W,TP,1005  | 1    | SA    |        | CL08                    | 2203-002793                               | C-CER,CHIP;1000nF,+80-20%,25V,Y5V,  | 1         | SA    |        |
| RS52   | 2007-000148 | R-CHIP;10Kohm,5%,1/16W,TP,1005  | 1    | SA    |        | CL09                    | 2203-002793                               | C-CER,CHIP;1000nF,+80-20%,25V,Y5V,  | 1         | SA    |        |
| RS53   | 2007-000162 | R-CHIP;100Kohm,5%,1/16W,TP,1005 | 1    | SA    |        | CL10                    | 2203-002793                               | C-CER,CHIP;1000nF,+80-20%,25V,Y5V,  | 1         | SA    |        |
| RS54   | 2007-000140 | R-CHIP;1Kohm,5%,1/16W,TP,1005   | 1    | SA    |        | CL11                    | 2203-002793                               | C-CER,CHIP;1000nF,+80-20%,25V,Y5V,  | 1         | SA    |        |
| RS56   | 2007-000140 | R-CHIP;1Kohm,5%,1/16W,TP,1005   | 1    | SA    |        | CL12                    | 2203-002793                               | C-CER,CHIP;1000nF,+80-20%,25V,Y5V,  | 1         | SA    |        |
| RS61   | 2007-000171 | R-CHIP;0ohm,5%,1/16W,TP,1005    | 1    | SA    |        | CL13                    | 2203-002793                               | C-CER,CHIP;1000nF,+80-20%,25V,Y5V,  | 1         | SA    |        |
| RS63   | 2007-000171 | R-CHIP;0ohm,5%,1/16W,TP,1005    | 1    | SA    |        | CL14                    | 2203-000189                               | C-CER,CHIP;100nF,+80-20%,25V,Y5V,1  | 1         | SA    |        |
| RS65   | 2007-000162 | R-CHIP;100Kohm,5%,1/16W,TP,1005 | 1    | SA    |        | CL15                    | 2203-000257                               | C-CER,CHIP;10nF,10%,50V,X7R,TP,160  | 1         | SA    |        |
| RS66   | 2007-000148 | R-CHIP;10Kohm,5%,1/16W,TP,1005  | 1    | SA    |        | CNL01                   | 3708-002224                               | CONNECTOR-FPC/FFC/PIC;24P,0.5mm,SM  | 1         | SA    |        |
| RS67   | 2007-000162 | R-CHIP;100Kohm,5%,1/16W,TP,1005 | 1    | SA    |        | CNL02                   | 3708-002188                               | CONNECTOR-FPC/FFC/PIC;40P,0.5mm,SM  | 1         | SA    |        |
| RS71   | 2007-000148 | R-CHIP;10Kohm,5%,1/16W,TP,1005  | 1    | SA    |        | ICL01                   | 1209-001585                               | IC-SENSOR;MRUS51S(U),SOT-223,3P,1.  | 1         | SA    |        |
| RS72   | 2007-000140 | R-CHIP;1Kohm,5%,1/16W,TP,1005   | 1    | SA    |        | RL05                    | 2007-000033                               | R-CHIP;0ohm,5%,1/14W,TP,3216        | 1         | SA    |        |
| RS81   | 2007-000140 | R-CHIP;1Kohm,5%,1/16W,TP,1005   | 1    | SA    |        | RL06                    | 2007-000067                               | R-CHIP;15Kohm,1%,1/10W,TP,1608      | 1         | SA    |        |
| RS82   | 2007-000148 | R-CHIP;10Kohm,5%,1/16W,TP,1005  | 1    | SA    |        | RL07                    | 2007-000583                               | R-CHIP;22Kohm,1%,1/10W,TP,1608      | 1         | SA    |        |
| RV11   | 2007-000083 | R-CHIP;3Kohm,5%,1/10W,TP,1608   | 1    | SA    |        | RL08                    | 2007-000772                               | R-CHIP;33Kohm,1%,1/10W,TP,1608      | 1         | SA    |        |
| RZ01   | 2007-000143 | R-CHIP;4.7Kohm,5%,1/16W,TP,1005 | 1    | SA    |        | RL09                    | 2007-000939                               | R-CHIP;47Kohm,1%,1/10W,TP,1608      | 1         | SA    |        |
| RZ02   | 2007-000148 | R-CHIP;10Kohm,5%,1/16W,TP,1005  | 1    | SA    |        | RL10                    | 2007-001206                               | R-CHIP;82Kohm,1%,1/10W,TP,1608      | 1         | SA    |        |
| RZ03   | 2007-000162 | R-CHIP;100Kohm,5%,1/16W,TP,1005 | 1    | SA    |        | RL11                    | 2007-000563                               | R-CHIP;220Kohm,1%,1/10W,TP,1608     | 1         | SA    |        |
| RZ04   | 2007-007001 | R-CHIP;3.9Kohm,5%,1/16W,TP,1005 | 1    | SA    |        | RL12                    | 2007-000078                               | R-CHIP;1Kohm,5%,1/10W,TP,1608       | 1         | SA    |        |
| RZ05   | 2007-000153 | R-CHIP;22Kohm,5%,1/16W,TP,1005  | 1    | SA    |        | <b>Assy PCB Rear</b>    |   |                                     |           |       |        |
| RZ06   | 2007-007138 | R-CHIP;27Kohm,1%,1/16W,TP,1005  | 1    | SA    |        | <b>P009 AD92-00585A</b> | <b>ASSY PCB REAR;-MX20-PJ,NTSC/PAL A</b>  | <b>1</b>                            | <b>SA</b> |       |        |
| RZ07   | 2007-000156 | R-CHIP;30Kohm,5%,1/16W,TP,1005  | 1    | SA    |        | CNR01                   | 3708-002173                               | CONNECTOR-FPC/FFC/PIC;10P,0.5mm,SM  | 1         | SA    |        |
| RZ08   | 2007-000162 | R-CHIP;100Kohm,5%,1/16W,TP,1005 | 1    | SA    |        | CR01                    | 2203-000189                               | C-CER,CHIP;100nF,+80-20%,25V,Y5V,1  | 1         | SA    |        |
| RZ09   | 2007-000775 | R-CHIP;33Kohm,5%,1/16W,TP,1005  | 1    | SA    |        | LED01                   | 0601-002391                               | LED;SMD,RED/GRN,1.6x1.5x0.55mm,574  | 1         | SA    |        |
| RZ10   | 2007-000157 | R-CHIP;47Kohm,5%,1/16W,TP,1005  | 1    | SA    |        | RR01                    | 2007-000102                               | R-CHIP;100Kohm,5%,1/10W,TP,1608     | 1         | SA    |        |
| RZ11   | 2007-000164 | R-CHIP;150Kohm,5%,1/16W,TP,1005 | 1    | SA    |        | SWR01                   | 3409-001184                               | SWITCH-DETECTOR;1mA,DC 5V,SPST,50g  | 1         | SA    |        |
| RZ12   | 2007-000142 | R-CHIP;2.7Kohm,5%,1/16W,TP,1005 | 1    | SA    |        | SWR02                   | 3404-001171                               | SWITCH-TACT;12V DC,50MA,200GF,6.6X  | 1         | SA    |        |
| RZ13   | 2007-000162 | R-CHIP;100Kohm,5%,1/16W,TP,1005 | 1    | SA    |        | <b>Assy CCD</b>         |   |                                     |           |       |        |
| RZ14   | 2007-000143 | R-CHIP;4.7Kohm,5%,1/16W,TP,1005 | 1    | SA    |        | <b>C314 AD97-15560A</b> | <b>ASSY CCD-VP-MX20, MX20-PJ, PAL-</b>    | <b>1</b>                            | <b>SA</b> |       |        |
| RZ15   | 2007-000162 | R-CHIP;100Kohm,5%,1/16W,TP,1005 | 1    | SA    |        | C594                    | AD61-02357A                               | PLATE-CCD;DRAGON2-P,J,AL,T1,W21,L25 | 1         | SA    |        |
| RZ16   | 2007-001325 | R-CHIP;3.3Kohm,5%,1/16W,TP,1005 | 1    | SA    |        | CC01                    | 2203-000189                               | C-CER,CHIP;100nF,+80-20%,25V,Y5V,1  | 1         | SA    |        |
| RZ17   | 2007-000162 | R-CHIP;100Kohm,5%,1/16W,TP,1005 | 1    | SA    |        | CC02                    | 2203-000189                               | C-CER,CHIP;100nF,+80-20%,25V,Y5V,1  | 1         | SA    |        |
| RZ18   | 2007-000162 | R-CHIP;100Kohm,5%,1/16W,TP,1005 | 1    | SA    |        | CC03                    | 2203-000491                               | C-CER,CHIP;2.2nF,10%,50V,X7R,1608   | 1         | SA    |        |
| RZ19   | 2007-001313 | R-CHIP;330ohm,5%,1/16W,TP,1005  | 1    | SA    |        | CC04                    | 2203-000192                               | C-CER,CHIP;100nF,+80-20%,50V,Y5V,2  | 1         | SA    |        |
| RZ20   | 2007-000153 | R-CHIP;22Kohm,5%,1/16W,TP,1005  | 1    | SA    |        |                         |   |                                     |           |       |        |
| RZ21   | 2007-000636 | R-CHIP;270Kohm,5%,1/16W,TP,1005 | 1    | SA    |        |                         |   |                                     |           |       |        |
| RZ22   | 2007-000148 | R-CHIP;10Kohm,5%,1/16W,TP,1005  | 1    | SA    |        |                         |   |                                     |           |       |        |
| RZ24   | 2007-000159 | R-CHIP;56Kohm,5%,1/16W,TP,1005  | 1    | SA    |        |                         |   |                                     |           |       |        |
| RZ25   | 2007-007312 | R-CHIP;20Kohm,1%,1/16W,TP,1005  | 1    | SA    |        |                         |   |                                     |           |       |        |



| Loc.No                   | Part No            | Description : Specification             | Q'ty     | S.N.A     | Remark |
|--------------------------|--------------------|---|----------|-----------|--------|
| CC07                     | 2203-005774        | C-CER,CHIP;100nF,+80-20%,50V,Y5V,       | 1        | SA        |        |
| CC10                     | 2404-000157        | C-TA,CHIP;1uF,20%,35V,-,TP,3216         | 1        | SA        |        |
| CC11                     | 2404-000335        | C-TA,CHIP;3.3uF,20%,16V,GP,TP,3216      | 1        | SA        |        |
| CC15                     | 2203-000189        | C-CER,CHIP;100nF,+80-20%,25V,Y5V,1      | 1        | SA        |        |
| CNC01                    | 3710-002455        | SOCKET-BOARD TO BOARD;20P,2R,0.5mm      | 1        | SA        |        |
| DC01                     | 0401-001054        | DIODE-SWITCHING;KDS160,80V,100MA,S      | 1        | SA        |        |
| ICC02                    | 1003-002045        | IC-CLOCK DRIVER;NVD2004,TSSOP,16P,      | 1        | SA        |        |
| LC01                     | 2703-002727        | INDUCTOR-SMD;4.7uH,20%,2012             | 1        | SA        |        |
| LC02                     | 2703-002727        | INDUCTOR-SMD;4.7uH,20%,2012             | 1        | SA        |        |
| QC01                     | 0505-000180        | FET-SILICON;2SK1070,N,-,50mA,-,150      | 1        | SA        |        |
| RC02                     | 2007-000082        | R-CHIP;3.3Kohm,5%,1/10W,TP,1608         | 1        | SA        |        |
| RC03                     | 2007-000072        | R-CHIP;47ohm,5%,1/10W,TP,1608           | 1        | SA        |        |
| RC04                     | 2007-000102        | R-CHIP;100Kohm,5%,1/10W,TP,1608         | 1        | SA        |        |
| VS004                    | 0605-001146        | CCD;CCD(PAL),DIP-14(Plastic),14P,8      | 1        | SA        |        |
| W206                     | 6001-001373        | SCREW-MACHINE;PH,T0.5,+,-,M1.7,L3.      | 1        | SA        |        |
| <b>Assy PCB-TOP TR03</b> |                    |   |          |           |        |
| <b>PO08</b>              | <b>AD92-00715A</b> | <b>ASSY PCB-TOP TR03;-VM-MX25E,TSET</b> | <b>1</b> | <b>SA</b> |        |
| CCH01                    | 2203-000254        | C-CER,CHIP;10nF,10%,16V,X7R,1005        | 1        | SA        |        |
| CCH02                    | 2203-000254        | C-CER,CHIP;10nF,10%,16V,X7R,1005        | 1        | SA        |        |
| CCH03                    | 2203-006048        | C-CER,CHIP;100nF,10%,10V,X7R,1005       | 1        | SA        |        |
| CCH04                    | 2404-001409        | C-TA,CHIP;10uF,20%,25V,-,TP,3528        | 1        | SA        |        |
| CCH05                    | 2203-000254        | C-CER,CHIP;10nF,10%,16V,X7R,1005        | 1        | SA        |        |
| CNT01                    | 3710-002660        | SOCKET-BOARD TO BOARD;40P,2R,0.5mm      | 1        | SA        |        |
| CNT02                    | 3708-002423        | CONNECTOR-FPC/FPC/PIC;10P,0.5mm,SM      | 1        | SA        |        |
| CNT03                    | 3708-002173        | CONNECTOR-FPC/FPC/PIC;10P,0.5mm,SM      | 1        | SA        |        |
| CNT04                    | 3711-006473        | HEADER-BATTERY;NOWALL,3P,1R,3.2mm,      | 1        | SA        |        |
| FL681                    | 3809-001996        | FFC CABLE-FLAT;30V,80,25mm,10P,0.5      | 1        | SA        |        |
| ICCH01                   | 1201-001376        | IC-OP AMP;75W01,SSOP,8P,110MIL,DUA      | 1        | SA        |        |
| LIBAT                    | 4302-001165        | BATTERY-LI(2ND);3V,3.4mAh,-,10uA,2      | 1        | SA        |        |
| QCH01                    | 0505-002153        | FET;SBD;VEC2819P,-,20V,-,3.5A,0.072     | 1        | SA        |        |
| QCH02                    | 0504-000168        | TR-DIGITAL;RN1104,NPN,100mW,47K/47      | 1        | SA        |        |
| QCH03                    | 0504-000168        | TR-DIGITAL;RN1104,NPN,100mW,47K/47      | 1        | SA        |        |
| QCH04                    | 0501-000172        | TR-SMALL SIGNAL;2SB1121T-TD-E,PNP,      | 1        | SA        |        |
| QCH05                    | 0501-000172        | TR-SMALL SIGNAL;2SB1121T-TD-E,PNP,      | 1        | SA        |        |
| QCH06                    | 0504-000168        | TR-DIGITAL;RN1104,NPN,100mW,47K/47      | 1        | SA        |        |
| QCH07                    | 0504-000168        | TR-DIGITAL;RN1104,NPN,100mW,47K/47      | 1        | SA        |        |
| QCH08                    | 0504-000168        | TR-DIGITAL;RN1104,NPN,100mW,47K/47      | 1        | SA        |        |
| QCH10                    | 0504-001102        | TR-DIGITAL;EMD3,NPN/PNP,150mW,10K/      | 1        | SA        |        |
| QCH21                    | 0504-001025        | TR-DIGITAL;DTC143EE,NPN,150mW,4.7K      | 1        | SA        |        |
| QCH22                    | 0504-001025        | TR-DIGITAL;DTC143EE,NPN,150mW,4.7K      | 1        | SA        |        |
| QCH23                    | 0504-001025        | TR-DIGITAL;DTC143EE,NPN,150mW,4.7K      | 1        | SA        |        |
| QCH24                    | 0504-001025        | TR-DIGITAL;DTC143EE,NPN,150mW,4.7K      | 1        | SA        |        |
| QCH25                    | 0504-001025        | TR-DIGITAL;DTC143EE,NPN,150mW,4.7K      | 1        | SA        |        |
| RCH02                    | 2007-000162        | R-CHIP;100Kohm,5%,1/16W,TP,1005         | 1        | SA        |        |
| RCH04                    | 2007-000162        | R-CHIP;100Kohm,5%,1/16W,TP,1005         | 1        | SA        |        |
| RCH05                    | 2007-000170        | R-CHIP;1Mohm,5%,1/16W,TP,1005           | 1        | SA        |        |
| RCH06                    | 2007-007840        | R-CHIP;825ohm,1%,1/10W,TP,1608          | 1        | SA        |        |
| RCH07                    | 2007-007840        | R-CHIP;825ohm,1%,1/10W,TP,1608          | 1        | SA        |        |
| RCH08                    | 2007-001319        | R-CHIP;1.2Kohm,5%,1/16W,TP,1005         | 1        | SA        |        |
| RCH09                    | 2007-007313        | R-CHIP;6.8Kohm,1%,1/16W,TP,1005         | 1        | SA        |        |
| RCH10                    | 2007-007142        | R-CHIP;10Kohm,1%,1/16W,TP,1005          | 1        | SA        |        |
| RCH11                    | 2007-008596        | R-CHIP;0.1ohm,1%,1/4W,TP,3216           | 1        | SA        |        |
| RCH12                    | 2007-007318        | R-CHIP;1Kohm,1%,1/16W,TP,1005           | 1        | SA        |        |
| RCH13                    | 2007-007132        | R-CHIP;15Kohm,1%,1/16W,TP,1005          | 1        | SA        |        |
| RCH14                    | 2007-000148        | R-CHIP;10Kohm,5%,1/16W,TP,1005          | 1        | SA        |        |
| RCH16                    | 2007-000137        | R-CHIP;2Kohm,5%,1/16W,TP,1005           | 1        | SA        |        |
| RCH21                    | 2007-000138        | R-CHIP;100ohm,5%,1/16W,TP,1005          | 1        | SA        |        |

| Loc.No | Part No     | Description : Specification    | Q'ty | S.N.A | Remark |
|--------|-------------|--------------------------------|------|-------|--------|
| RCH22  | 2007-000138 | R-CHIP;100ohm,5%,1/16W,TP,1005 | 1    | SA    |        |
| RCH23  | 2007-001305 | R-CHIP;120ohm,5%,1/16W,TP,1005 | 1    | SA    |        |
| RCH24  | 2007-001305 | R-CHIP;120ohm,5%,1/16W,TP,1005 | 1    | SA    |        |
| RCH25  | 2007-000138 | R-CHIP;100ohm,5%,1/16W,TP,1005 | 1    | SA    |        |

### Accessory

|       |             |                                    |   |    |  |
|-------|-------------|------------------------------------|---|----|--|
| VS062 | 3301-001502 | CORE-FERRITE;AE,16.5*7*30MM,-,-    | 1 | SA |  |
|       | AD39-00153A | CBF CABLE-USB;SKT-689-2-B,MX20,4P- | 1 | SA |  |
|       | AD39-00155A | CBF CABLE-A V;SKT-AU006,MX20,4,150 | 1 | SA |  |
|       | AD43-00180A | BATTERY-PACK;IA-BP85S7/EXP,MX10,2C | 1 | SA |  |
|       | AD44-00112B | ADAPTOR;AA-E9/EUR,EUROPE,CP2,ACToD | 1 | SA |  |
|       | AD46-00192A | SOFTWARE PACK-MEDIASHOW4;MEDIASHOW | 1 | SA |  |
|       | AD46-00232A | SOFTWARE PACK-IB;IB,-,-,PAL,-,-,CD | 1 | SA |  |

### Additional Part List

|       |             |                                    |    |    |  |
|-------|-------------|------------------------------------|----|----|--|
| C040  | AD61-03710D | CASE-LEFT;SMX-F30B,PC ABS,2,60,90, | 1  | SA |  |
| C1002 | AD64-02577A | BUTTON-LEFT;F30,ABS,40,-,Cr plate, | 1  | SA |  |
| C1012 | AD64-02287A | INDICATOR-CHARGE;MX20,ACRYL,1,MILK | 1  | SA |  |
| C1070 | AD63-01175A | SHEET-SHAFT DOOR;MX10,PET,T0.1,W5, | 1  | SA |  |
| C1112 | AD61-04038A | CASE-TOP GRIP;F30,ABS,2,20,50,Cr P | 1  | SA |  |
| C1114 | AD61-03704A | TRIPOD-INSERT;MX20,Brass+Ni,UNIFIE | 1  | SA |  |
| C423  | AD62-00053A | INSULATION-LCD;MX10,PE CLEAR,T0.05 | 1  | SA |  |
| C636  | AD61-03718A | SPRING ETC-POWER;MX20,SUS 304 1/2H | 1  | SA |  |
| W113  | 6002-001085 | SCREW-TAPPING;CH,+2,M1.7,L5,ZPC(B  | 4  | SA |  |
| W127  | 6003-001292 | SCREW-TAPTITE;CH(0.3),+B,M1.7,L3,  | 4  | SA |  |
| W129  | 6001-001719 | SCREW-MACHINE;CH,+M1.7,L4,NI PLT   | 1  | SA |  |
| W206  | 6001-001373 | SCREW-MACHINE;PH,T0.5,+,-,M1.7,L3. | 1  | SA |  |
| W224  | 6001-000877 | SCREW-MACHINE;CH,+M1.7,L3,ZPC(BLK  | 2  | SA |  |
| W298  | 6003-001508 | SCREW-TAPTITE;PH,+B,M1.4,L3,NI PL  | 1  | SA |  |
| W371  | 6003-001453 | SCREW-TAPTITE;BH,+B,M1.7,L4,ZPC(B  | 9  | SA |  |
| W372  | 6003-001148 | SCREW-TAPTITE;PH,+B,M1.7,L6,ZPC(B  | 3  | SA |  |
| W377  | 6001-001291 | SCREW-MACHINE;CH(0.5),+,-,M1.7,L4, | 13 | SA |  |

# M E M O