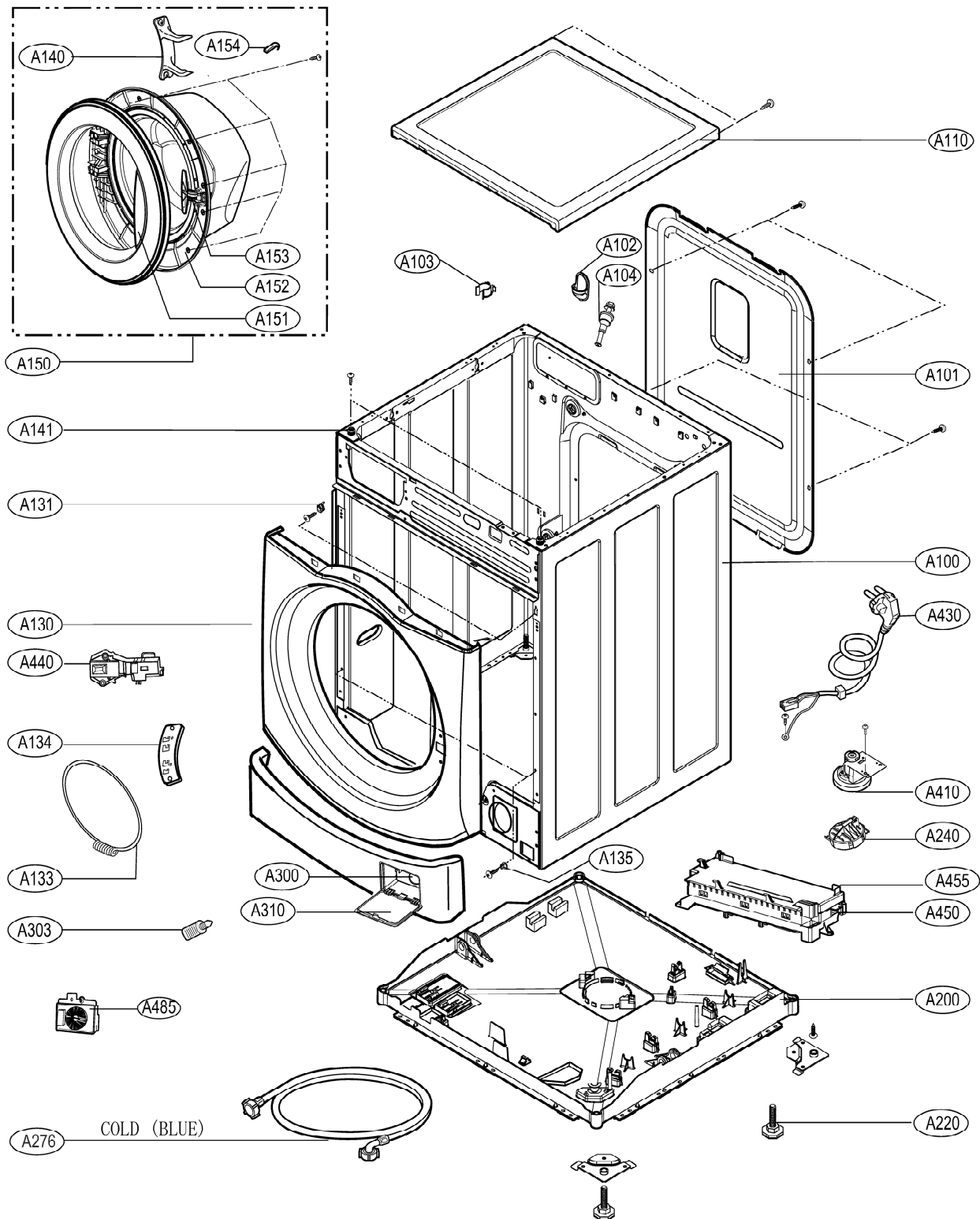
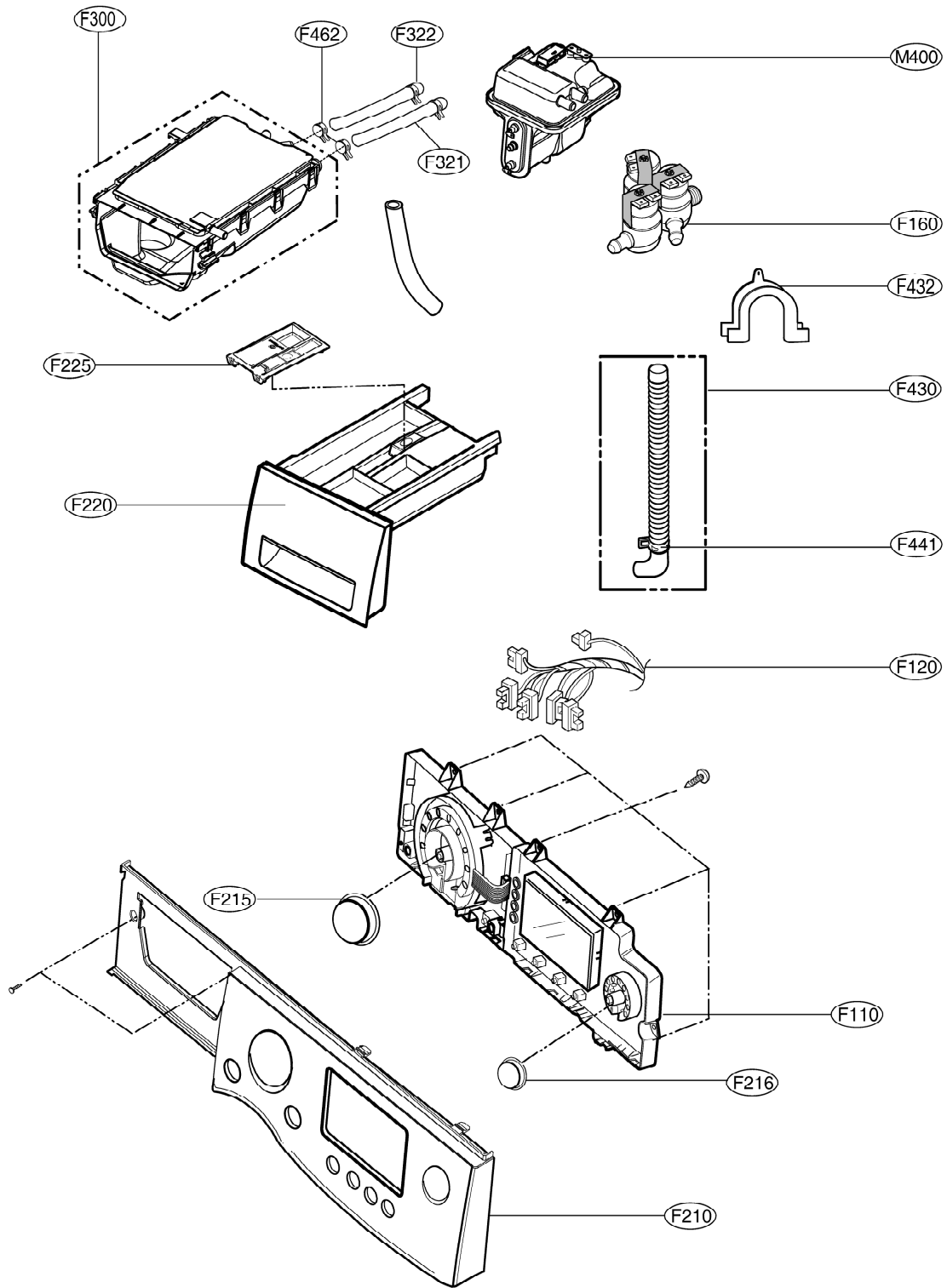


# 10. EXPLODED VIEW AND PART LIST

## 10-1. THE PART LIST OF CABINET ASSEMBLY



# 10- 2 THE EXPL ODED VIEW OF CONTR OL PANEL & DISPENSER ASSEM BLY



10-3 THE EXPLODEVIEW OF DRUM & TUB ASSEMBLY

