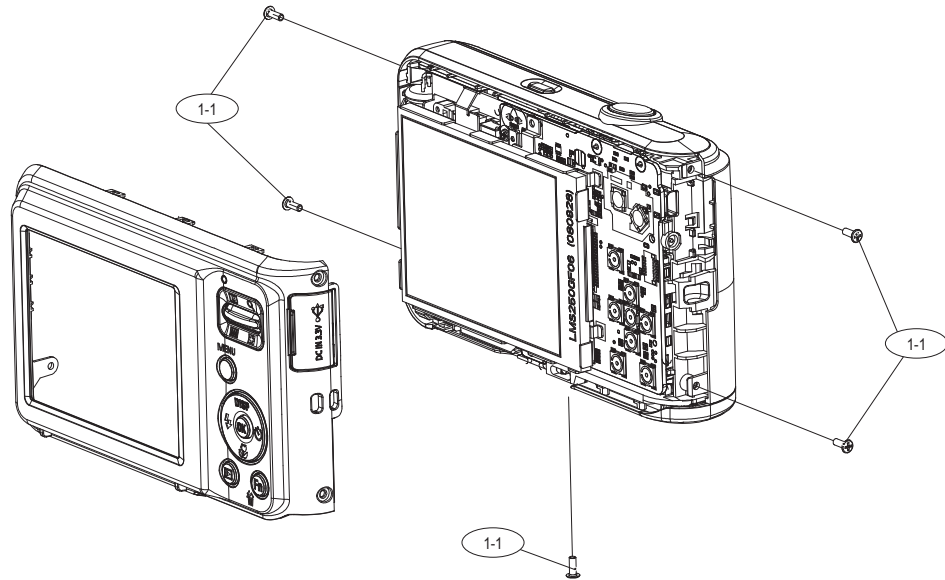


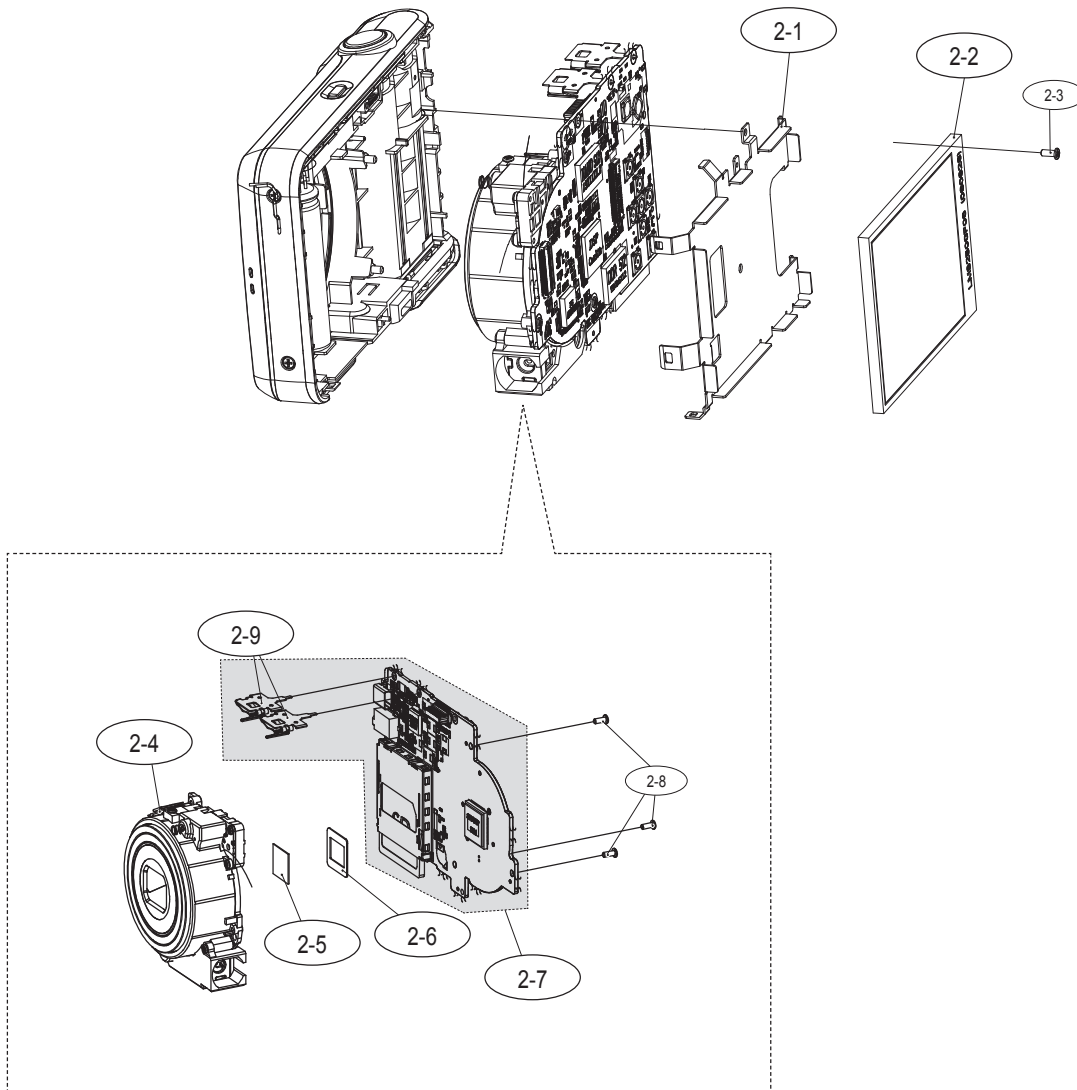
3. Exploded View and Parts List

3-1 BODY ASSEMBLY



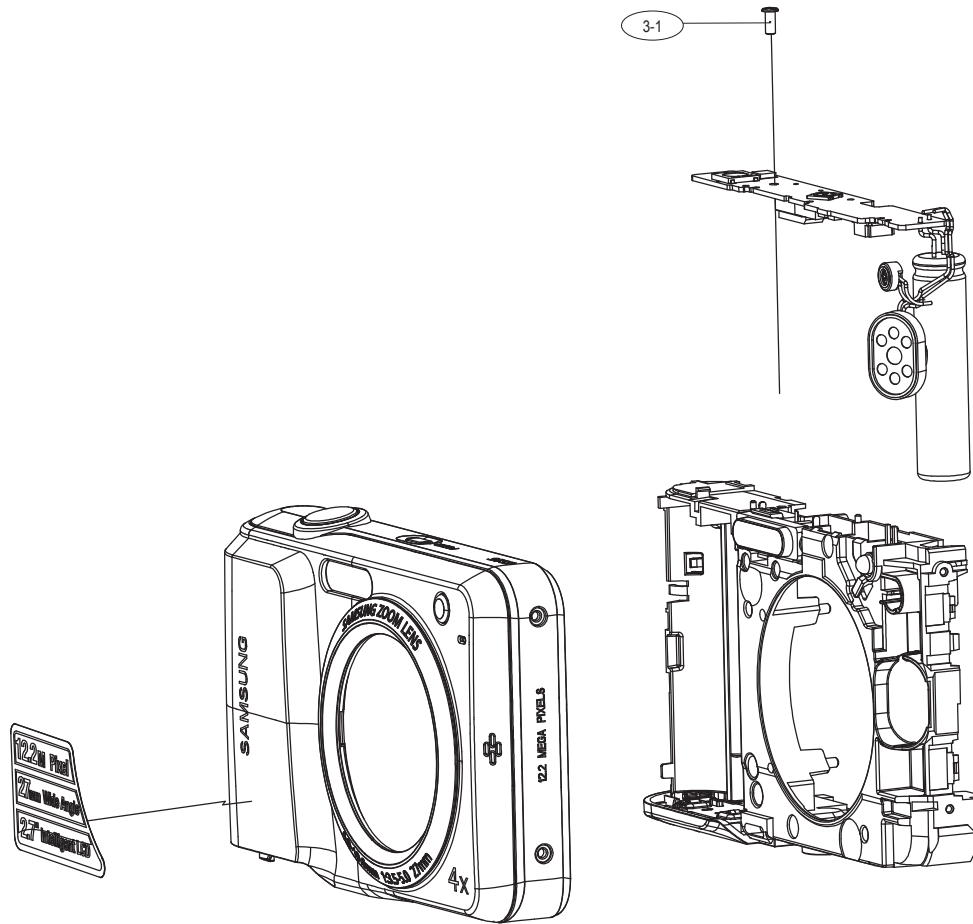
Loc. No	Parts No.	Description	Q ty	Available	Remark
1-1	6003-001739	SCREW	5	X	

3-2 MAIN ASSEMBLY



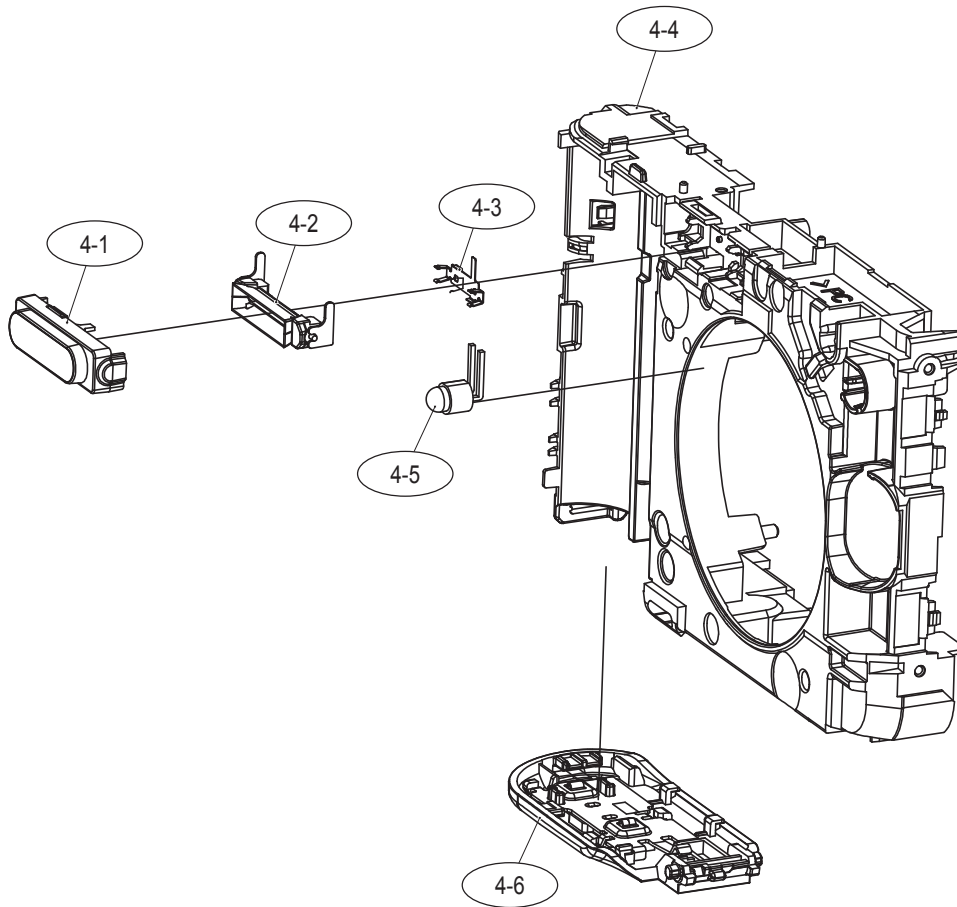
Loc. No	Parts No.	Description	Q ty	Available	Remark
2-1	AD61-04678A	FRAME-LCD	1	O	
2-2	AD07-00097A	LCD_SEC_25	1	O	
2-3	6003-001706	SCREW	1	X	
2-4	AD97-18184A	BARREL ASSY-5717_SL	1	O	SILVER
	AD97-18150A	BARREL ASSY-5717_BK	1	O	BLACK
2-5	AD63-03625A	CUSHION-IR CUT FILTER	1	O	
2-6	AD63-04553A	CUSHION-IR	1	O	
2-7	AD92-01146A	MAIN PCB ASSY	1	O	
2-8	6003-001630	SCREW	3	X	
2-9	AD67-01714A	CONTACT-BATTERY	2	O	

3-3 CHAMBER ASSEMBLY



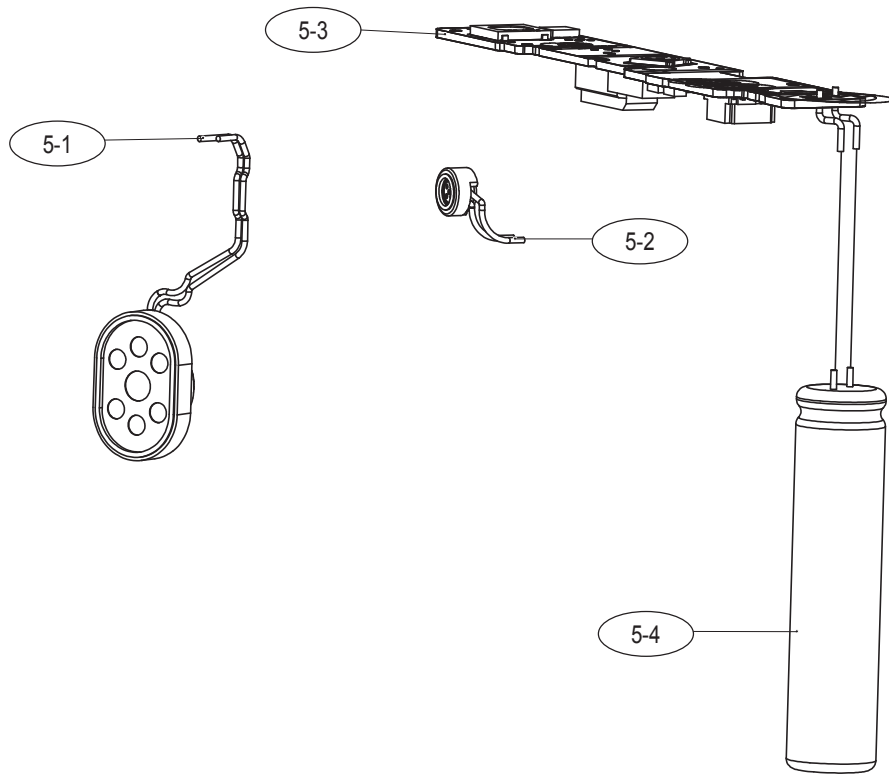
Loc. No	Parts No.	Description	Q ty	Available	Remark
3-1	6003-001706	SCREW	1	X	

3-4 TOP HOLDER ASSEMBLY



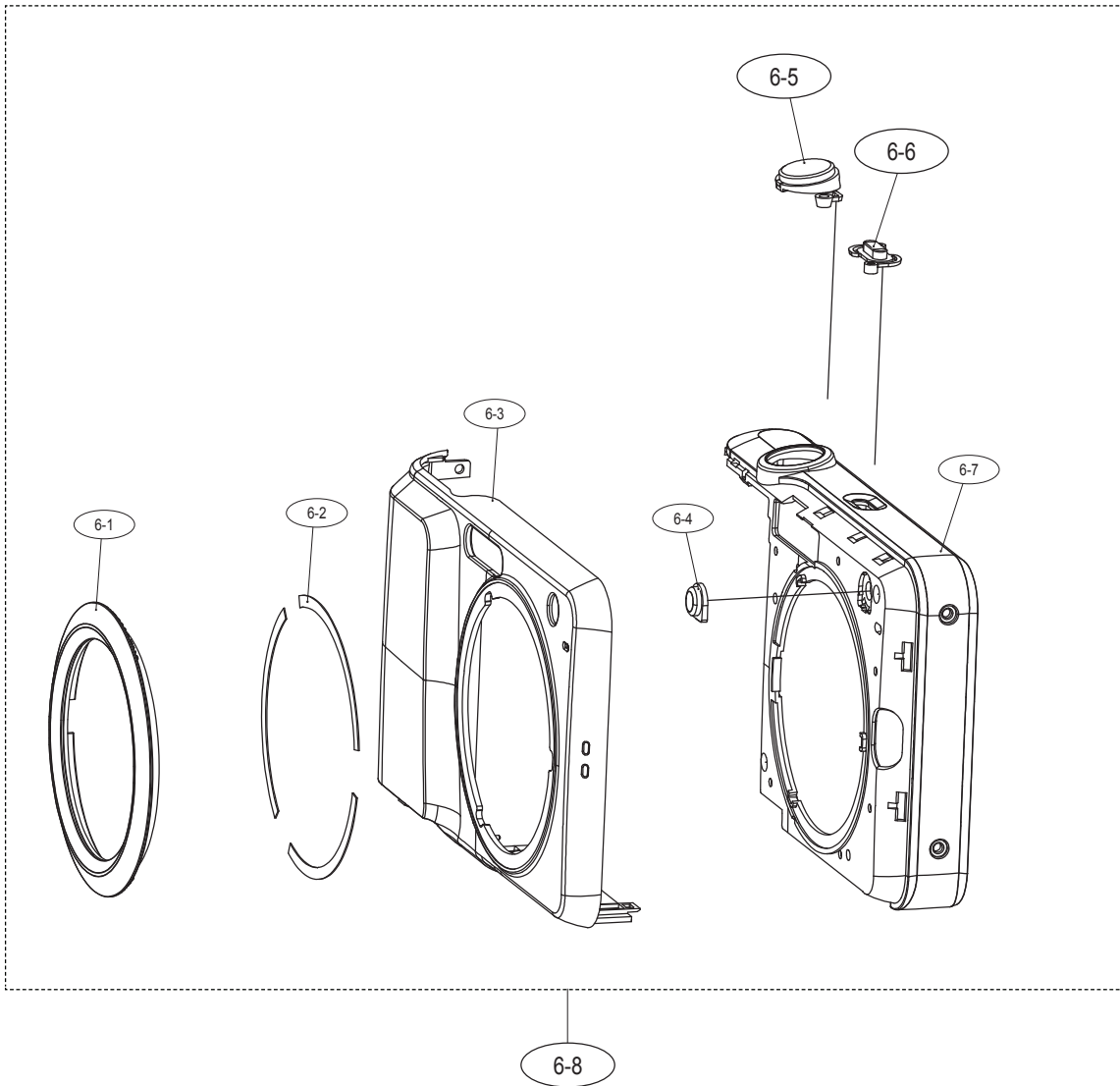
Loc. No	Parts No.	Description	Q ty	Available	Remark
4-1	AD67-01723A	LENS-FRESNEL	1	0	
4-2	AD97-19234A	ASSY-FLASH MODULE	1	0	
4-3	AD67-01713A	CONTACT-TRIG	1	0	
4-4	AD62-00142A	CHAMBER BODY-GY	1	0	
4-5	0601-002516	AF-LED	1	0	
4-6	AD97-19222A	COVER ASSY-BATTERY	1	0	SILVER
	AD97-19223A	COVER ASSY-BATTERY	1	0	BLACK
	AD97-19395A	COVER ASSY-BATTERY	1	0	PEAL RED
	AD97-19396A	COVER ASSY-BATTERY	1	0	PURPLE

3-5 TOP PCB ASSEMBLY



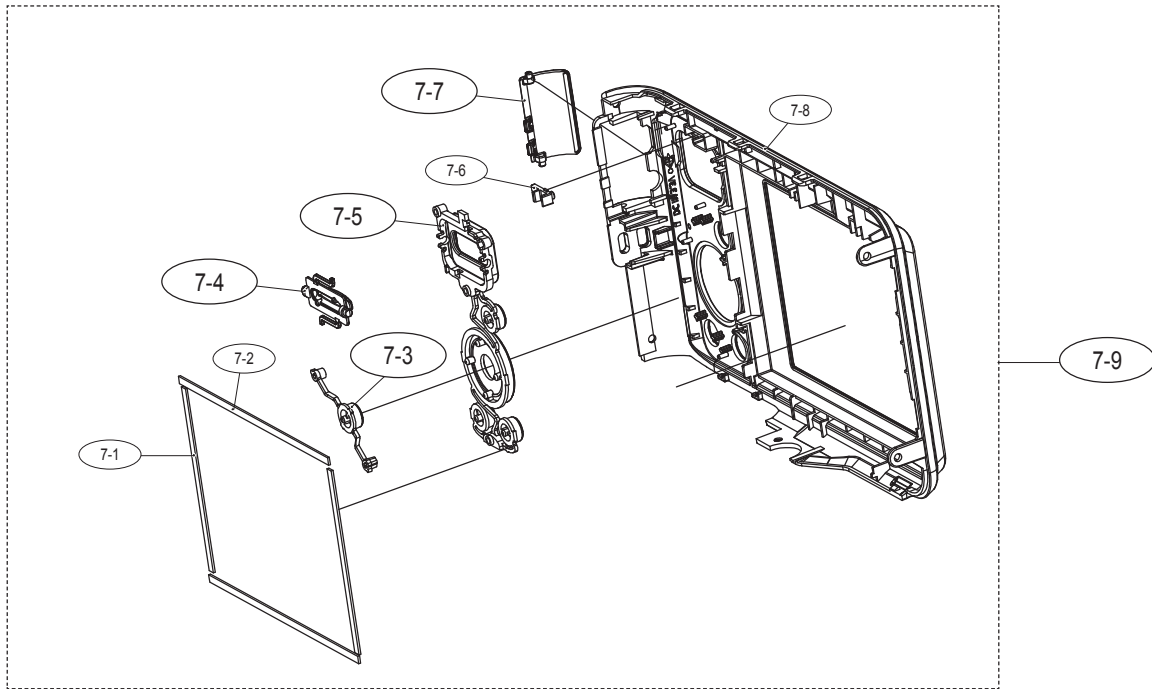
Loc. No	Parts No.	Description	Q ty	Available	Remark
5-1	3001-002569	Micro Speaker	1	0	
5-2	3003-001167	Mic_Condensor	1	0	
5-3	AD92-01242	SMD PCB ASSY-TOP	1	0	
5-4	2401-004663	C_AL	1	0	

3-6 FRONT COVER ASSEMBLY



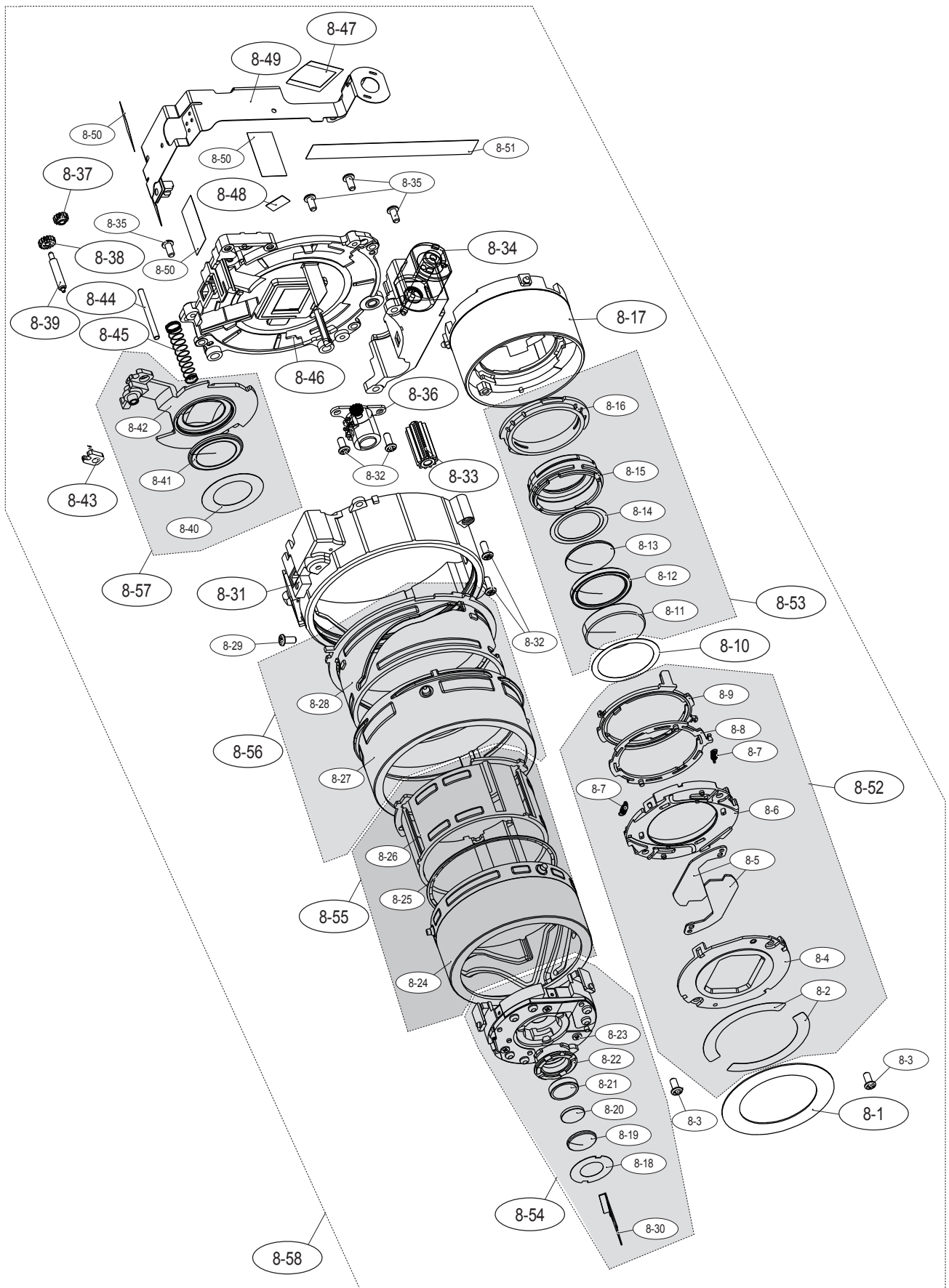
Loc. No	Parts No.	Description	Q ty	Available	Remark
6-1	AD64-02936A	DECO RING-FRONT_SL	1	X	SILVER
	AD64-02938A	DECO RING-FRONT_BK	1	X	BLACK
6-2	AD63-04574A	T/SHEET-DECO FRONT	2	X	
6-3	AD63-05072A	COVER FRONT-SL	1	X	SILVER
	AD63-05110A	COVER FRONT BK	1	X	BLACK
	AD63-05169A	COVER FRONT RD	1	X	PEAL RED
	AD63-05168A	COVER FRONT PP	1	X	PURPLE
6-4	AD64-02752A	WINDOW LED-AF	1	X	
6-5	AD64-02933A	BUTTON POWER	1	O	
6-6	AD64-02932A	BUTTON RELEASE	1	O	
6-7	AD63-05074A	COVER MIDDLE_SAMSUNG ES25	1	X	
	AD63-05132A	COVER MIDDLE_VLUU ES25	1	X	
	AD63-05131A	COVER MIDDLE_SAMSUNG SL45	1	X	
	AD63-05160A	COVER MIDDLE_SAMSUNG ES27	1	X	
6-8	AD97-19213A	F/C ASSY_SAMSUNG ES25	1	O	SILVER
	AD97-19215A	F/C ASSY_VLUU ES25	1	O	
	AD97-19217A	F/C ASSY_SAMSUNG SL45	1	O	
	AD97-19313A	F/C ASSY_SAMSUNG ES25 (Only Canada)	1	O	
	AD97-19453A	F/C ASSY_SAMSUNG ES27	1	O	
	AD97-19460A	F/C ASSY_SAMSUNG ES27(Only Canada)	1	O	
	AD97-19212A	F/C ASSY_SAMSUNG ES25	1	O	BLACK
	AD97-19214A	F/C ASSY_VLUU ES25	1	O	
	AD97-19216A	F/C ASSY_SAMSUNG SL45	1	O	
	AD97-19314A	F/C ASSY_SAMSUNG ES25 (Only Canada)	1	O	
	AD97-19454A	F/C ASSY_SAMSUNG ES27	1	O	
	AD97-19459A	F/C ASSY_SAMSUNG ES27(Only Canada)	1	O	
	AD97-19390A	F/C ASSY_SAMSUNG ES25	1	O	PEAL RED
	AD97-19387A	F/C ASSY_VLUU ES25	1	O	
	AD97-19391A	F/C ASSY_SAMSUNG SL45	1	O	
	AD97-19386A	F/C ASSY_SAMSUNG ES25 (Only Canada)	1	O	
	AD97-19389A	F/C ASSY_SAMSUNG ES25	1	O	PURPLE
	AD97-19388A	F/C ASSY_VLUU ES25	1	O	
	AD97-19392	F/C ASSY_SAMSUNG SL45	1	O	
	AD97-19385A	F/C ASSY_SAMSUNG ES25 (Only Canada)	1	O	

3-7 BARREL ASSEMBLY



Loc. No	Parts No.	Description	Q ty	Available	Remark
7-1	AD63-04599A	CUSHION LCD A	2	X	
7-2	AD63-04600A	CUSHION LCD B	2	X	
7-3	AD64-02749A	BUTTON OK	1	O	
7-4	AD66-00780A	LEVER-ZOOM	1	O	
7-5	AD64-02934A	BUTTON FUNCTION	1	O	
7-6	AD64-02753A	WINDOW-REAR ACCESS	1	X	
7-7	AD63-05076A	COVER USB SL	1	O	SILVER
	AD63-05113A	COVER USB BK	1	O	BLACK
	AD63-05165A	COVER USB RD	1	O	PEAL RED
	AD63-05164	COVER USB PP	1	O	PURPLE
7-8	AD63-05073A	COVER BACK_SL	1	X	SILVER
	AD63-05111A	COVER BACK BK	1	X	BLACK
	AD63-05171A	COVER BACK RD	1	X	PEAL RED
	AD63-05170A	COVER BACK PP	1	X	PURPLE
7-9	AD97-19221A	ASSY COVER BACK SL	1	O	SILVER
	AD97-19220A	ASSY COVER BACK BK	1	O	BLACK
	AD97-19394A	ASSY COVER BACK RD	1	O	PEAL RED
	AD97-19393A	ASSY COVER BACK PP	1	O	PURPLE

3-8 BARREL ASSEMBLY

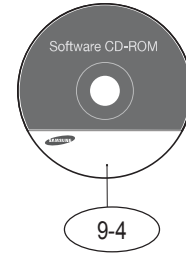
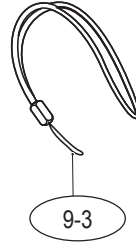
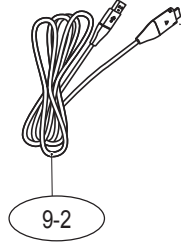
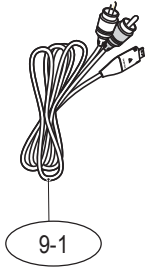


Exploded View and Parts List

Loc. No	Parts No.	Description	Q ty	Available	Remark
8-1	AD61-04350A	DECO PLATE_SV	1	O	SILVER
	AD61-04342A	DECO PLATE_BL	1	O	BLACK
8-2	AD63-04522A	T/SHEET-FRONT	2	X	
8-3	6003-001633	SCREW-TAPTITE(143025)	2	X	
8-4	AD63-04513A	BARRIER-FRONT_PANEL_SV	1	X	SILVER
	AD63-04486A	BARRIER-FRONT_PANEL	1	X	BLACK
8-5	AD63-04514A	BARRIER-A_SV	2	X	SILVER
	AD63-04510A	BARRIER-A_BL	2	X	BLACK
8-6	AD63-04487A	BASE-BARRIER	1	X	
8-7	6107-002610	SPRING-BARRIER	2	X	
8-8	AD63-04488A	LEVER-BARRIER_A	1	X	
8-9	AD63-04489A	LEVER-BARRIER_B	1	X	
8-10	AD64-02735A	MASK-G1	1	O	
8-11	AD67-01543A	LENS-G1	1	X	
8-12	AD67-01520A	LENS-G2(PLASTIC)	1	X	
8-13	AD67-01544A	LENS-G3	1	X	
8-14	AD64-02736A	MASK-G3	1	X	
8-15	AD67-01522A	BARREL-1ST	1	X	
8-16	AD67-01525A	BARREL-SLIP_RING	1	X	
8-17	AD67-01572A	BARREL-ZOOM_RING_A	1	O	SILVER
	AD67-01526A	BARREL-ZOOM_RING_A	1	O	BLACK
8-18	AD64-02737A	MASK-G4	1	X	
8-19	AD67-01542A	LENS-G4	1	X	
8-20	AD67-01545A	LENS-G5	1	X	
8-21	AD67-01546A	LENS-G6	1	X	
8-22	AD67-01523A	BARREL-2ND	1	X	
8-23	AD97-18035A	SHUTTER_ASSY_NON_OIS	1	X	
8-24	AD67-01574A	BARREL-CAM_A_SV	1	X	SILVER
	AD67-01528A	BARREL-CAM_A_BL	1	X	BLACK
8-25	AD63-04835A	SHIELD-CAM_A	1	X	
8-26	AD67-01530A	BARREL-GUIDE_PLATE	1	X	
8-27	AD67-01576A	BARREL-OUTER_CAM_A_SV	1	X	SILVER
	AD67-01531A	BARREL-OUTER_CAM_A_BL	1	X	BLACK
8-28	AD67-01533A	BARREL-OUTER_GUIDE_PLATE	1	X	
8-29	6003-001288	SCREW-TAPTITE(142025)	1	X	

Loc. No	Parts No.	Description	Q ty	Available	Remark
8-30	AD61-04343A	HOLDER-FPC	1	X	
8-31	AD67-01534A	BARREL-OUTER_GUIDE	1	O	
8-32	6003-001659	SCREW-TAPTITE(144025)	3	X	
8-33	AD66-00704A	GEAR-IDLE	1	O	
8-34	AD97-18032A	ZOOM MOTOR ASSY	1	O	
8-35	6003-001633	SCREW-TAPTITE(143025)	5	X	
8-36	AD97-18801A	AF MOTOR ASSY	1	O	
8-37	AD66-00637A	GEAR-AF_A	1	O	
8-38	AD66-00638A	GEAR-AF_B	1	O	
8-39	AD66-00748A	SHAFT-AF_LEAD	1	O	
8-40	AD64-02738A	MASK-G7	1	X	
8-41	AD67-01521A	LENS-G7(PLASTIC)	1	X	
8-42	AD67-01524A	BARREL-3RD	1	X	
8-43	AD61-03832A	CLIP-AF	1	O	
8-44	AD66-00747A	SHAFT-AF	1	O	
8-45	6107-002613	SPRING-AF	1	O	
8-46	AD61-04330A	BASE-LENS_A	1	O	
8-47	AD63-04556A	MASK-A	1	O	
8-48	AD63-04557A	MASK-B	1	O	
8-49	AD92-01109A	SMD FPCB ASSY	1	O	
8-50	AD63-04837A	T/SHEET-FPCB A	3	X	
8-51	AD63-04560A	T/SHEET_MOTOR TAPE	1	X	
8-52	AD97-18178A	BARRIER ASSY-5717	1	O	SILVER
	AD97-18141A	BARRIER ASSY-5717	1	O	BLACK
8-53	AD97-18037A	LENS ASSY-1ST	1	O	
8-54	AD97-18143A	SUB BARREL ASSY-2ND	1	O	
8-55	AD97-18180A	SUB BARREL ASSY-CAM	1	O	SILVER
	AD97-18145A	SUB BARREL ASSY-CAM	1	O	BLACK
8-56	AD97-18181A	SUB BARREL ASSY-OUTER CAM	1	O	SILVER
	AD97-18146A	SUB BARREL ASSY-OUTER CAM	1	O	BLACK
8-57	AD97-18039A	LENS ASSY-3RD	1	O	
8-58	AD97-18184A	BARREL ASSY-5717	1	O	SILVER
	AD97-18150A	BARREL ASSY-5717	1	O	BLACK

3-9 PACKING ITEMS



Loc. No	Parts No.	Description	Q ty	Available	Remark
9-1	AD81-00750A	AV_CABLE_8PIN	1	0	
9-2	3802-001205	USB CABLE	1	0	
9-3	AD63-02596A	STRAP_KENOX_S730_SILVER	1	0	
	AD63-02604A	STRAP_KENOX_S860_BLACK	1	0	
9-4	AD46-00338A	SAMSUNG ES25	1	0	
	AD46-00339A	SAMSUNG SL45	1	0	