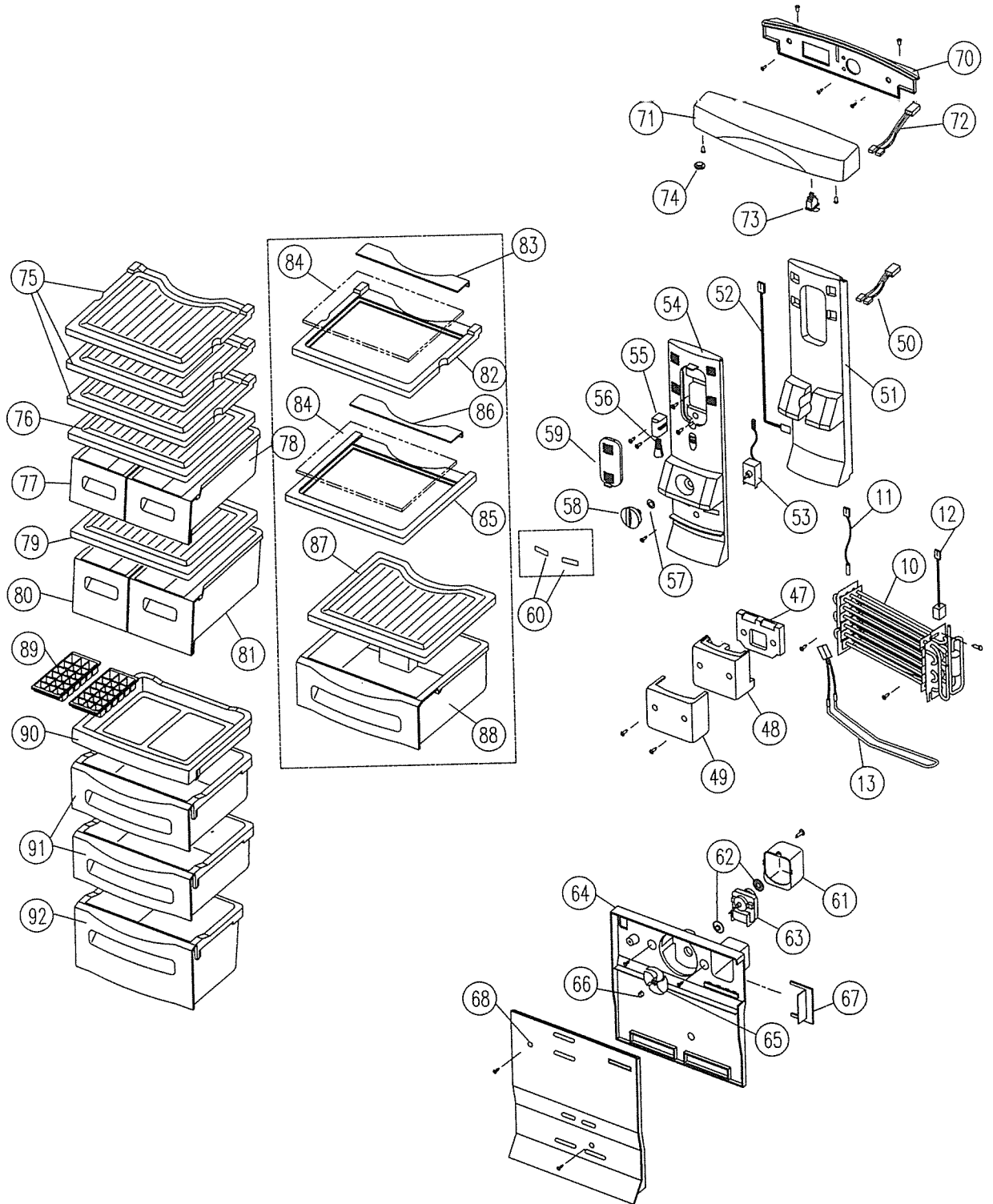


# 10. EXPLODE DRAWINGS

## 1. ERF-310M, ERF-340M, ERF-370M





# 11. PART LIST

## 1. Parts list (M TYPE)

NO	PART NAME	PART CODE	DESCRIPTION	MODEL			REMARK
				310	340	370	
1	ASSY CAB URT	3010071030		1	-	-	
		3010071040		-	1	-	
		3010071050		-	-	1	
2	BASE COMP	3010310500	SBHG T1.2	1	1	1	
3	CASTER	3016500500	PA-6	2	2	2	
4	SHAFT CASTER	3014903100	φ6xL40 SWRM10	2	2	2	
5	SPECIAL SCREW A	3016004300	M6.5xL20	4	4	4	
6	ABSORBER COMP	3010101700	NR	4	4	4	- D/W COMP
7	FIXTURE COMP	3012005300	SK5+ZN5-C TO.8	4	4	4	- D/W COMP
8	COMPRESSOR	39561125R51	HPL25YG1-5	1	1	-	- D/W COMP
		39561127R51	HPL27YG1-5	-	-	1	- D/W COMP
9	DRYER ASS	3016802200	15Gr	1	1	1	
10	EVA AS	3017003200		1	1	-	
		3017004600		-	-	1	
11	FUSE TEMPERATURE	3017200700	250V	1	1	1	
12	SWITCH BI-METAL	3018115600	250V 5A	1	1	1	
13	HEATER D AS	3012803600	230V 230W	1	1	1	
14	PIPE SUC AS	3014418700	DCUT1-0	1	1	1	
15	WI-CON ASSY	3010056000		1	1	-	
		3010056100		-	-	1	
16	ABSORBER PIPE C	3010102000	EPDM	2	2	2	
17	SPECIAL WASHER	3016004700	φ4.3 STAR	8	8	8	
18	ABSORBER PIPE B	3010101900	IIR	1	1	1	
19	SWITCH P RELAY OIL	3817911200	4TM213NHB	1	1	-	- D/W COMP
		3817911300	4TM265NHB	-	-	1	- D/W COMP
20	SWITCH P RELAY PTC	3817907000	33Ω(MURADTA)	1	1	1	- D/W COMP
21	RELAY BOX	3810506400		1	1	1	- D/W COMP
22	CABLE CLAMP	3818200300		1	1	1	- D/W COMP
23	HARNESS RELAY	3012717070		1	1	1	
24	RELAY BOX COVER	3811401300		1	1	1	- D/W COMP
25	RELAY BAND	3816100400		1	1	1	- D/W COMP
26	BOX POWER	3010517201	HIPS	1	1	1	
27	SWITCH DEF TIMER	3018115700		1	1	1	
28	CAPACITOR RUNNING	3016400800	4μF/350VAC	1	1	-	
		3016400810	5μF/350VAC	-	-	1	
29	CABLE TIE			2	2	2	
30	CORD POWER AS	3011303900	CP-2 PIN	1	1	1	3011303910 : BS-1363 (U.K.)
31	HARNESS EARTH	3012717010		1	1	1	
32	SCREW MACHINE	7051401065	PAN 4x10 BSNI	3	3	3	
33	PIPE CHARGE	3014418200	DCUT1-0φ6xT0.6x100	1	1	1	- D/W COMP
34	CAP DRAIN HOSE	3010919700	NBR	1	1	1	
35	ABSORBER VAPORI CASE	3010102700	IIR	2	2	2	
36	CASE VAPORI (A)	3011115100	AL T0.6	1	1	1	- D/W COMP
37	HINGE *U	3012908200	P/O+ZN T4.0	2	2	2	
38	FOOT ADJUSTING AS	3012101800	PP+SPECIAL BOLT	2	2	2	
39	SPECIAL WASHER HINGE	3016005500	S20C T1.0 13/7	2	2	2	
40	SHAFT HI	3014903200		2	2	2	
41	SPECIAL BOLT C	3016004900	M5xP0.89xL16 SWCH22A	12	12	12	
42	HINGE *M	3012908000	DIE CASTING	1	1	1	
43	HINGE *T	3012908100	P/O+ZN T3.2	2	2	2	
44	CAP SCREW	3010920200	PE-LE	1	1	1	
45	CAP SCREW HOLE	3010920300	HIPS	1	1	1	
46	COVER RETURN DUCT	3011433700	HIPS	1	1	1	
47	INSU DAMPER B	3013325400	F-PS	1	1	1	
48	INSU DAMPER A	3013324500	F-PS	1	1	1	
49	COVER DAMPER	3011433500	HIPS	1	1	1	
50	HARNESS LAMP SOCKET	3012719800		1	1	1	
51	INSU MULTI DUCT	3013326810	F-PS	1	-	-	
		3013326910	F-PS	-	1	1	
52	HARNESS THERMOSTAT	3012717060		1	1	1	
53	THERMOSTAT	3018300300	250V 6A	1	1	1	
54	COVER MULTI DUCT	3011434110	HIPS	1	-	-	
		3011434210	HIPS	-	1	1	
55	SOCKET LAMP AS	3017903100		1	1	1	
56	LAMP	3013600700	230V 15W	1	1	1	

NO	PART NAME	PART CODE	DESCRIPTION	MODEL			REMARK
				310	340	370	
57	SPECIAL NUT	3016005400	HEX M10	1	1	1	
58	KNOB R	3013401410	HIPS	1	1	1	
59	WINDOW LAMP	3015503300	GP	1	1	1	
60	CAP M-DUCT COVER	3010924700	PP	2	2	2	- WITHOUT C-CASE
61	BRACKET FAN MOTOR	3010615600	PP	1	1	1	
62	BUSHING FAN MOTOR	3010901800	NR	2	2	2	
63	MOTOR FAN AS	3015903700	IS-23211DWBFH	1	1	1	
64	LOUVER F B	3018905500	HIPS	1	1	-	
		3018905600	HIPS	-	-	1	
65	FAN	3011801400	ABS	1	1	1	
66	FIXTURE FAN RING	3012005400	SUS304 T0.5	1	1	1	
67	FLAP F	3017100310	HIPS	1	1	1	
68	LOUVER F A	3018905300	HIPS	1	1	-	
		3018905400	HIPS	-	-	1	
69	COVER CAB BRACKET	3011433300	HIPS	1	1	1	
70	BASE CONTROL PANEL	3010312900	HIPS	1	1	1	
71	PANEL CONTROL	3014204810	ABS	1	1	1	
72	HARNES LAMP SW	3012717020		1	1	1	
73	SWITCH LAMP	3018111500	250V 0.25A	1	1	1	
74	CAP CONTROL PANEL A	3010902800	SILICON RUBBER	1	1	1	
75	SHELF R	3017813700	GPPS	2	3	3	
76	COVER CHILD CASE	3011433200	GPPS	1	1	1	
77	CASE CHILD *L	3011114700	GPPS	1	1	1	-OPTION
78	CASE CHILD *R	3011115800	GPPS	1	1	1	-OPTION
79	COVER VEGTB CASE (B)	3011434410	GPPS	1	1	1	
80	CASE VEGTB *L	3011115010	GPPS	1	1	1	
81	CASE VEGTB *R	3011115020	GPPS	1	1	1	
82	FRAME R SHELF A	3012200900	ABS	2	3	3	-OPTION
83	FRAME R SHELF B	3012201400	ABS	2	3	3	-OPTION
84	SHELF GLASS	3017813800	T4.0	3	4	4	-OPTION
85	FRAME C-CASE COVER A	3012201500	ABS	1	1	1	-OPTION
86	FRAME C-CASE COVER B	3012201600	ABS	1	1	1	-OPTION
87	COVER VEGTB CASE (A)	3011434400	GPPS	1	1	1	-OPTION
88	CASE VEGTB	3011115000	GPPS	1	1	1	-OPTION
89	CASE ICING	3011114900	PP	2	2	2	
90	CASE F D	3011115910	HIPS	1	1	1	
91	CASE F B	3011115300	GPPS	2	2	-	
	CASE F C	3011115400	GPPS	-	-	2	
92	CASE F A	3011115200	GPPS	1	1	1	
93	ASSY R DOOR URT	3010075200		1	-	-	
		3010075210		-	1	1	
94	ASSY F DOOR URT	3010075300		1	1	-	
		3010075310		-	-	1	
95	GASKET R DOOR AS	3012306600	PVC+MAGNET	1	-	-	
		3012306800	PVC+MAGNET	-	1	1	
96	GASKET F DOOR AS	3012306500	PVC+MAGNET	1	1	-	
		3012306700	PVC+MAGNET	-	-	1	
97	HANDLE *T	3012610200	PBT	1	1	1	
98	HANDLE (*U)	3012610100	PBT	1	1	1	
99	SPECIAL SCREW D	3016004810	T2 FLT 4x16 PAINTING	4	4	4	
100	CAP DOOR BUSHING	3010918300	PP	1	1	1	
101	CAP HANDLE	3010910000	HIPS	2	2	2	
102	COVER DOOR CAP *L	3011437000	ABS	1	1	1	
103	COVER DOOR CAP *R	3011437010	ABS	1	1	1	
104	COVER BUTTER CASE	3011433100	GPPS	1	1	1	
105	CASE BUTTER	3011114600	GPPS	1	1	1	
106	CASE EGG	3011114800	GPPS	2	2	2	
107	POCKER EGG	3019008700	HIPS	1	1	1	
108	SUPOT B-POCKET (B)	3015300400	HIPS	1	1	1	
109	GUIDE BOTTLE SUPOT (B)	3012508000	φ5	1	1	1	
110	POCKET BOTTLE (B)	3019009500	HIPS	1	1	1	
111	GUIDE BOTTLE SUPOT C	3012508010	φ5	1	1	1	
112	POCKET R DOOR	3019008710	HIPS	1	1	1	
113	SUPOT B-POCKET (A)	3015303900	PE-LD	1	1	1	-OPTION
114	POCKET BOTTLE (A)	3019008600	HIPS	1	1	1	-OPTION
115	CAP POCKET	3010909900	SILICON RUBBER	2	2	2	-OPTION
116	POCKET BUTTER	3019008720	HIPS	-	1	1	
117	SPECIAL SCREW C	3016004800		2	2	2	