

# Service Manual



## No-Frost

# Combi-Refrigerator

Models:

ERF-364MBB, ERF-364MBW, ERF-364MBI, ERF-364MBT  
ERF-384MBB, ERF-384MBW, ERF-384MBI, ERF-384MBT



**DAEWOO ELECTRONICS  
MANUFACTURING ESPAÑA, S.A.**

# **. CONTENTS**

---

- 1. SPECIFICATIONS**
- 2. EXTERNAL DRAWINGS**
- 3. MACHINE ROOM VIEW**
- 4. REFRIGERANT CYCLE**
- 5. WIRING DIAGRAM**
- 6. COMPONENTS DISASSEMBLY PICTURES**
- 7. DOOR POSITION CHANGE PROCESS**
- 8. EXPLODE DRAWING**
- 9. PARTS LIST**

# 1. SPECIFICATIONS

Model name	366MNL	386MNL	396MNL	416MNL	
Division	MECHANIC TYPE				
Refrigerant type	R-134A				
Refrigerant Q'ty	100 grs				
Blowing agent	C-PENTANE				
Cooling system	Fan cooling system				
Defrost system	Automatic start & Automatic stop system				
Compressor	KPC CBE-140L5Z				
Rated voltage	AC220~240V / 50Hz				
Rated input (W)	180				
Lamp rated input (W)	15				
Gross capacity (liter)	Freezer	94	109	94	109
	Refrigerator	218	218	252	252
	Total	312	327	346	361
External dimension (mm)	Height	1765	1854	1896	1985
	Width	600	600	600	600
	Depth *	642	642	642	642
Energy class	A				
Freezing capacity(kg/24h)	5				
Star rating	* ***	* ***	* ***	* ***	
Climate class	N	N	N	N	
Net weight (kg)	69	71	71	74	

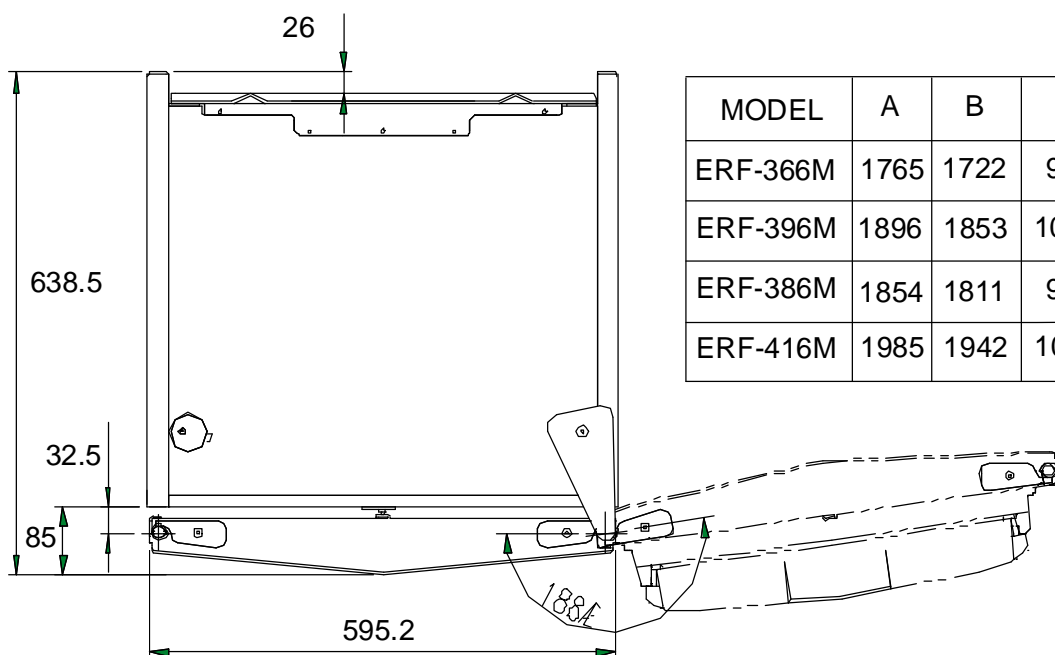
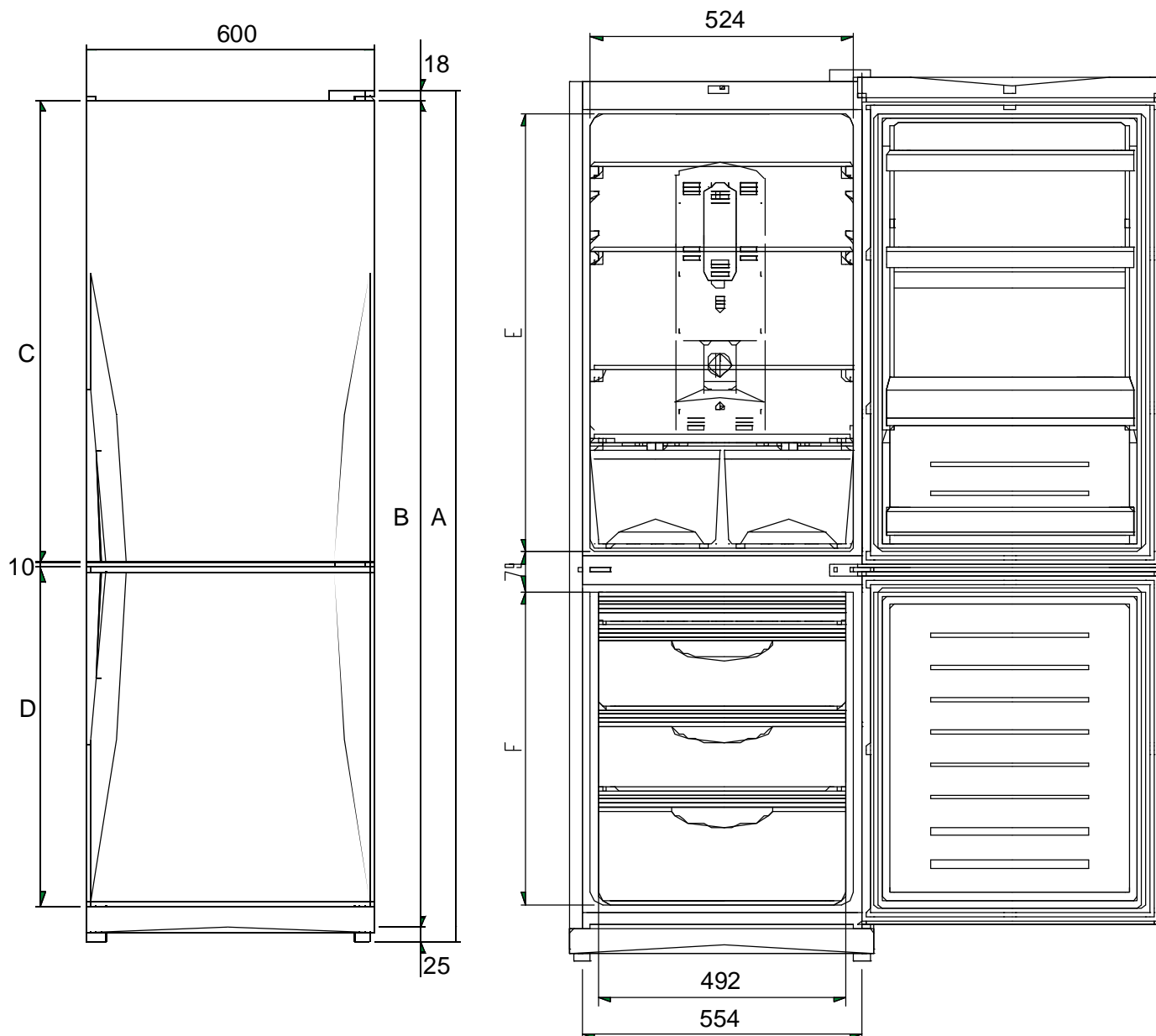
## REMARKS:

\* Dept exception handle

## 1.2. Types of the approved safety standars

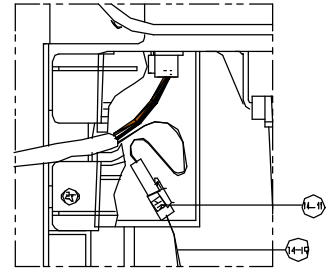


## 2. EXTERNAL DRAWINGS

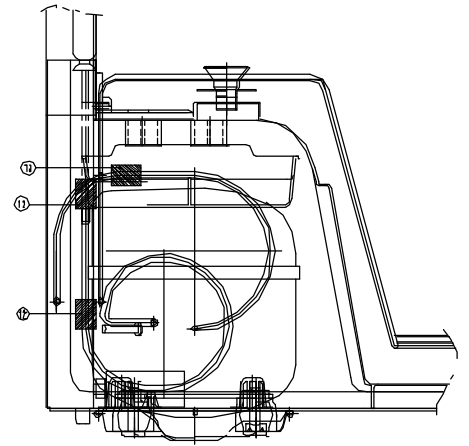
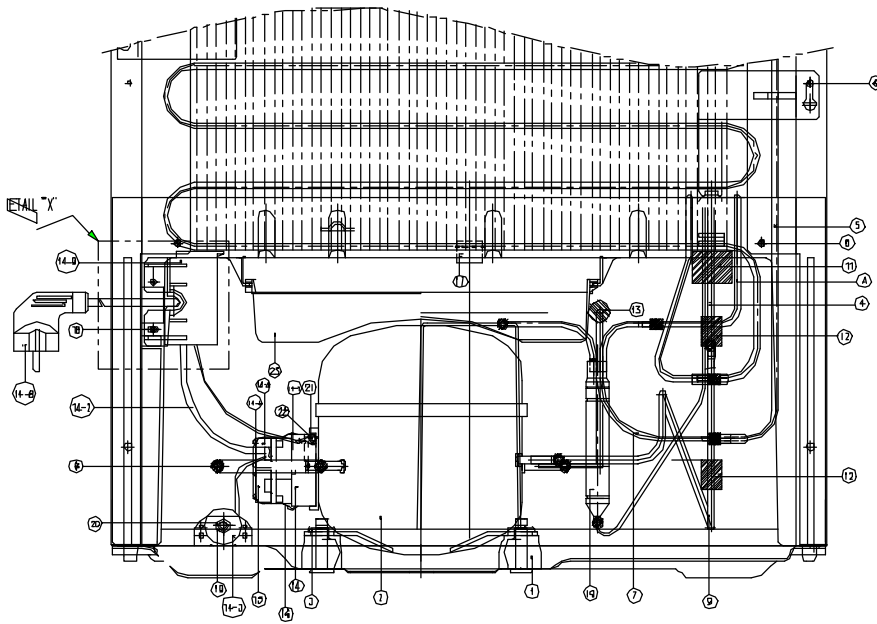


MODEL	A	B	C	D	E	F
ERF-366M	1765	1722	967	698	862.5	621.5
ERF-396M	1896	1853	1098	698	993.5	621.5
ERF-386M	1854	1811	967	787	862.5	710.5
ERF-416M	1985	1942	1098	787	993.5	710.5

# 4. MACHINE ROOM VIEW

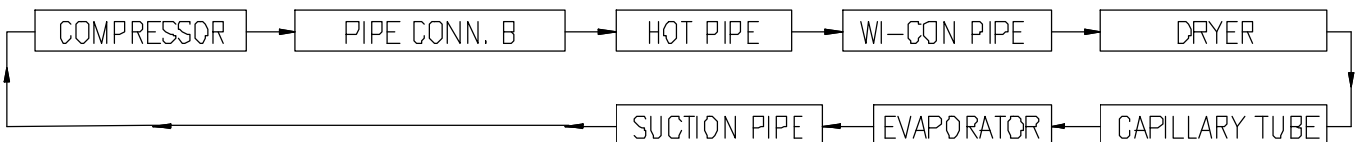
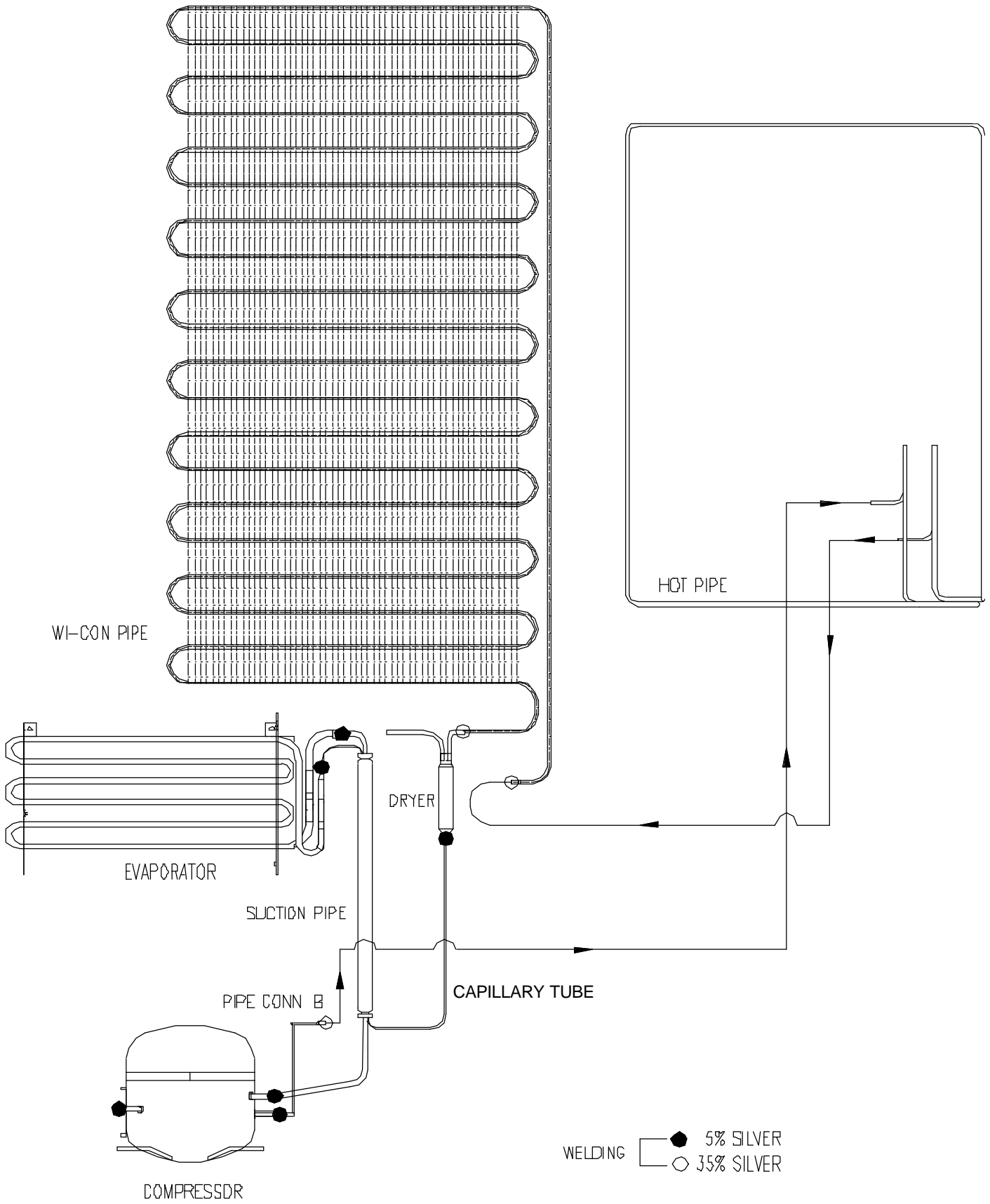


DETAIL 3X



No.	PART NAME	No.	PART NAME	No.	PART NAME
A	PIPE HOT	14	BOX RELAY AS	17	CAP DRAINER
1	ABSORBER COMP	14-1	BOX RELAY	18	SCREW TAPPING
2	COMPRESSOR	14-2	HARNESS RELAY	19	SPECIAL WASHER R/C
3	FIXTURE COMP	14-3	CAPACITQR RUN AS	20	SPECIAL NUT R/C
4	EVAPORATOR AS	14-4	CABLE CLAMP	21	SPECIAL WASHER
5	PIPE WI-COON AS	14-5	SCREW TAPPING	22	SCREW MACHINE
6	SPECIAL SCREW E	14-6	SWITCH P RELAY PTC	23	CASE VAPORI
7	PIPE COON B	14-7	SWITCH P RELAY OL		
8	PIPE CHARGE	14-8	CODE POWER AS		
9	PIPE SUC. COON	14-9	COVER ME HOUSING		
10	DRYER AS	14-10	HARNESS EARTH		
11	ABSORBER PIPE B (GUM)	14-11	LABEL EARTH		
12	ABSORBER PIPE C (40g)	15	RELAY COVER		
13	ABSORBER PIPE C (38g)	16	BAND RELAY		

# 5. REFRIGERANT CYCLE



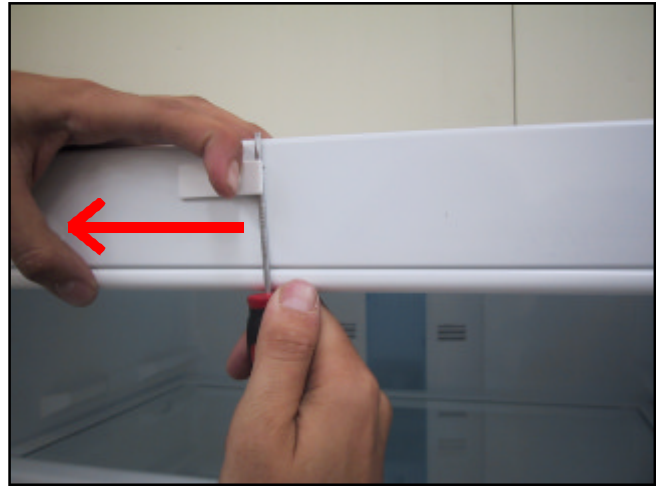


## 7. COMPONENTS DISASSEMBLY PICTURES

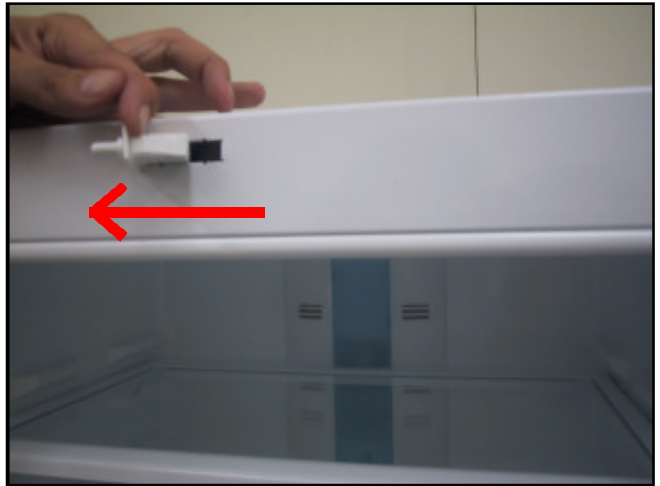
### - 1 SWITCH DOOR

- Force switch door to the left side and input a thin driver in the right part as picture shows. After this operation, lift switch up.

\* Remark: Input driver carefully in order to lift up easily and avoid paint damages and scratches.



- move switch to left side.



- Take out switch and disconnect housing.



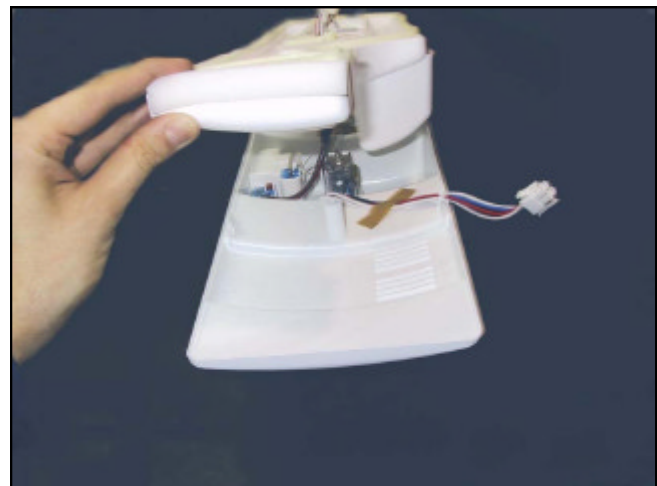


## - 2 MULTI DUCT

- Unscrew all fixed screws.



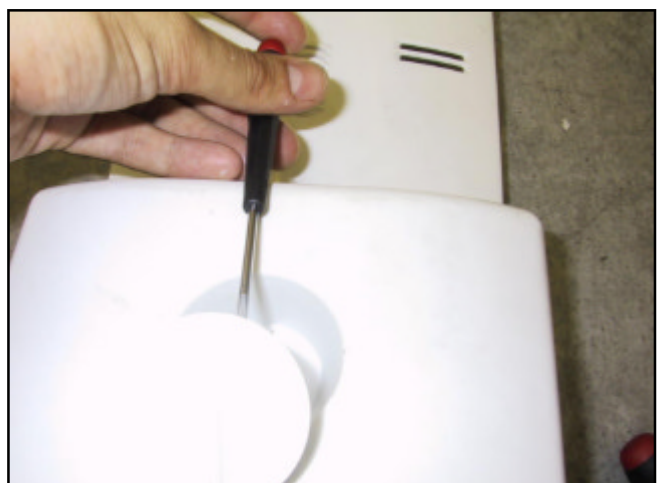
- Remove insulator multi-duct.



- Unscrew defrost timer and thermostat.



- Take out temperature control knob by a minus driver carefully.



### 3- GASKET.

3.1- Take out the gasket as shown.

3.2- Fix the new one.



### 4- FREEZER COMPARTMENT.

4.1- Remove 3 fixing screws.



4.2- To prevent damage, remove louver using method as illustrated.



4.3- Remove 2 fixing screws of louver FB.



4.4- Take out louver FB by hand, and disconnect fan motor housing.



4.5- Disconnect all housing connectors.

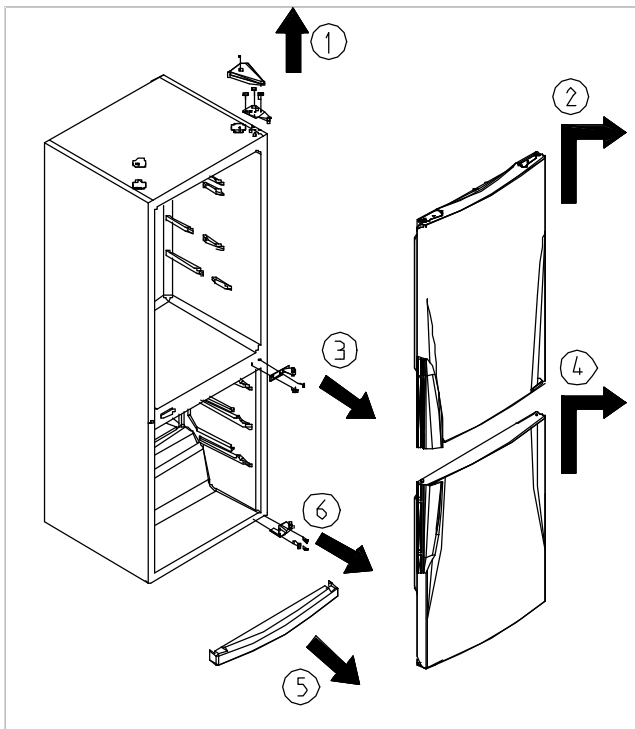


4.6- Unscrew evaporator and move it carefully to prevent excessive bending of gas pipes.



## 8. DOOR POSITION CHANGE PROCESS

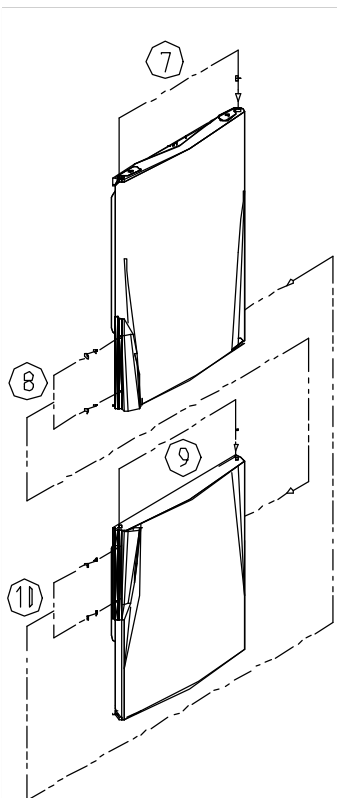
### STEP 1 : Remove door



### Follow to remove

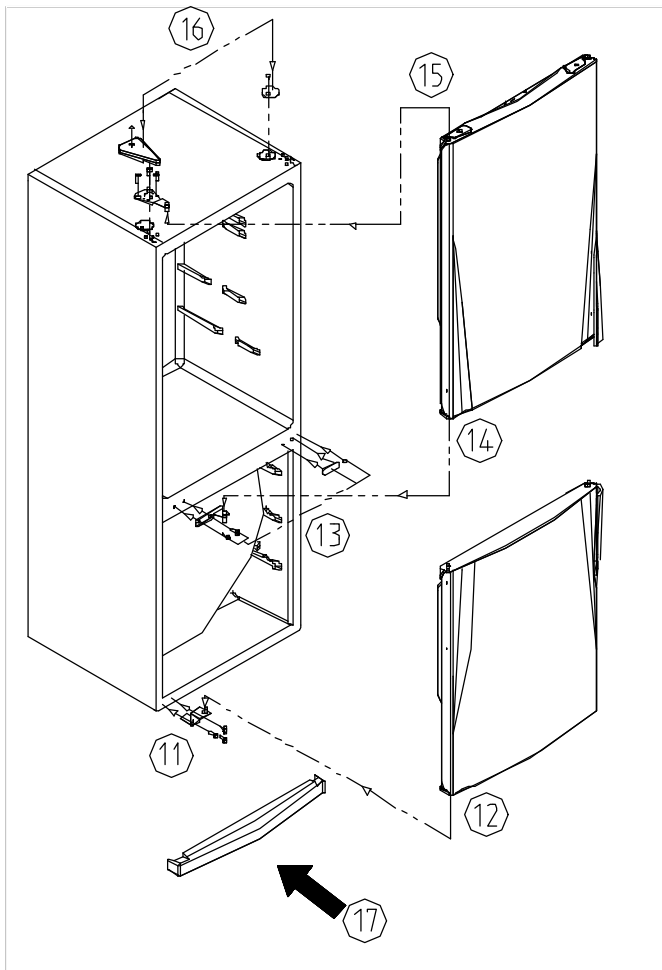
1. Remove “COVER HINGE” and “HINGE T”
2. Remove “R” door.
3. Remove “HINGE M”
4. Remove “F” door
5. Remove “COVER BRACKET”
6. Remove “HINGE U”

### STEP 2 : Change door handle



7. Reverse the position of “COVER BUSHING”
8. Move “R DOOR HANDLE” to “F DOOR”
9. Reverse the position of “CAP DR BUSHING”
10. Move “F DOOR HANDLE” to “R DOOR”

### STEP 3 : Change door open side



11. Attach the “HINGE U” on the left.

12. Attach the “F DOOR”

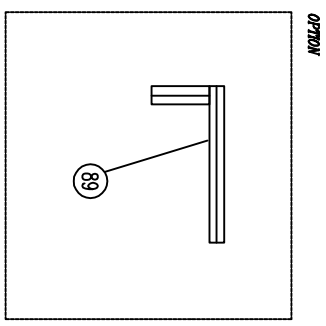
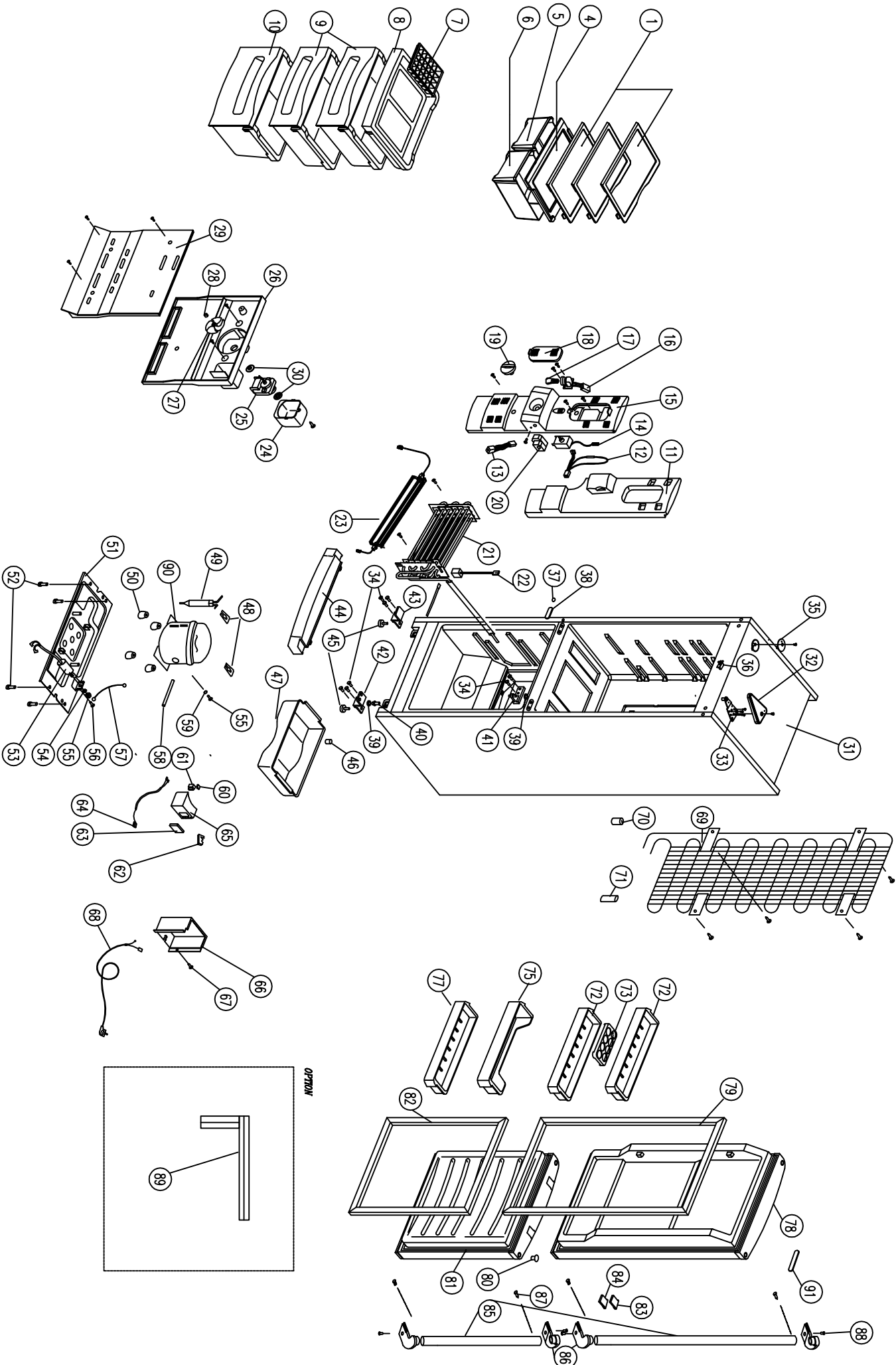
13. Reverse the position of “HINGE M” and  
“CAP SCREW HOLE”

1. Attach the “R DOOR”

15. Attach the “HINGE T” on the left  
of cabinet  
after assembling to “R DOOR”

16. Reverse the position of “COVER  
HINGE”  
and “COVER CAB HARNESS”

ERF-364MBB, ERF-364MBW, ERF-364MBI, ERF364MBT, ERF384MBB, ERF-384MBW, ERF-384MBI, ERF-384MBT













**DAEWOO ELECTRONICS** MANUFACTURING ESPAÑA S.A  
Polígono industrial de Jándiz  
C/Zurrupitieta 27, 01015 Vitoria, Spain

Tel: 00 34 945292292  
Fax:00 34 945290965