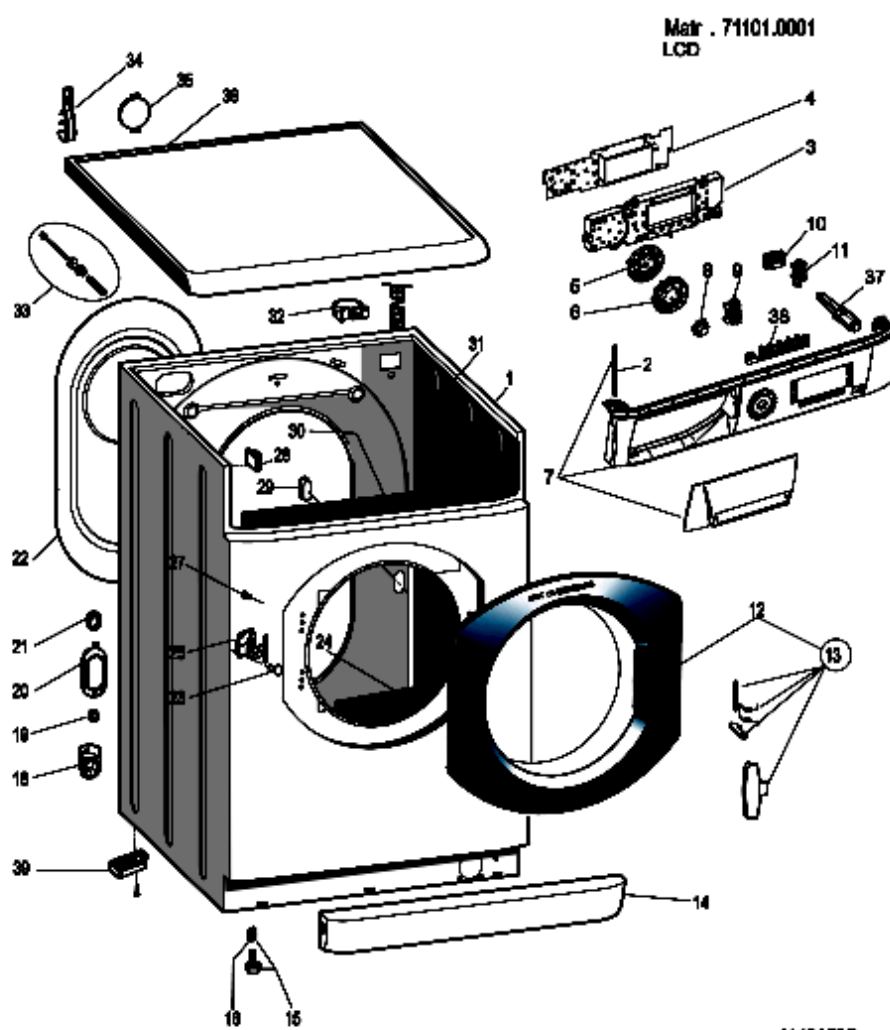


1140150C

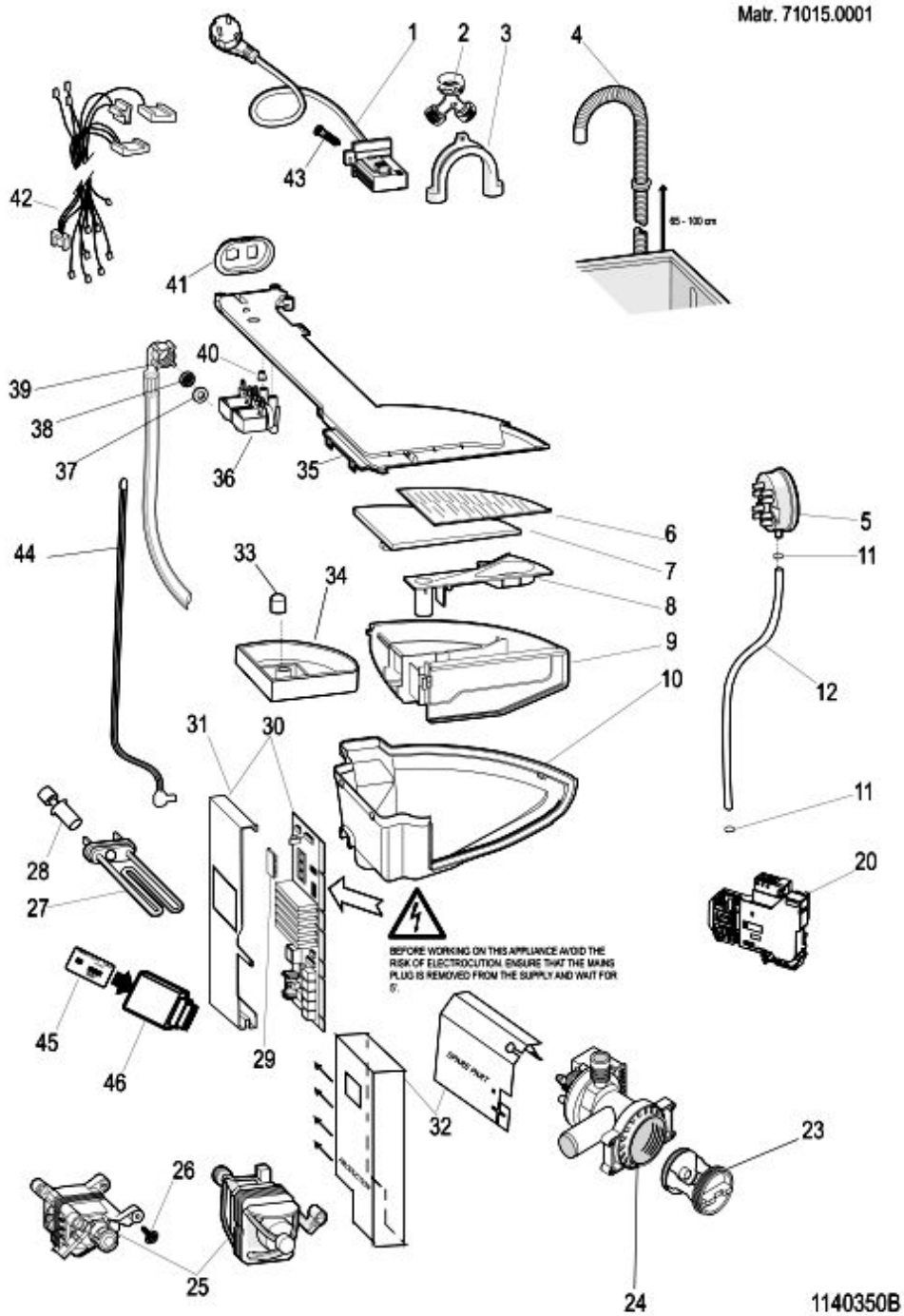
Exploded views



1140150C

1140350B

Exploded views

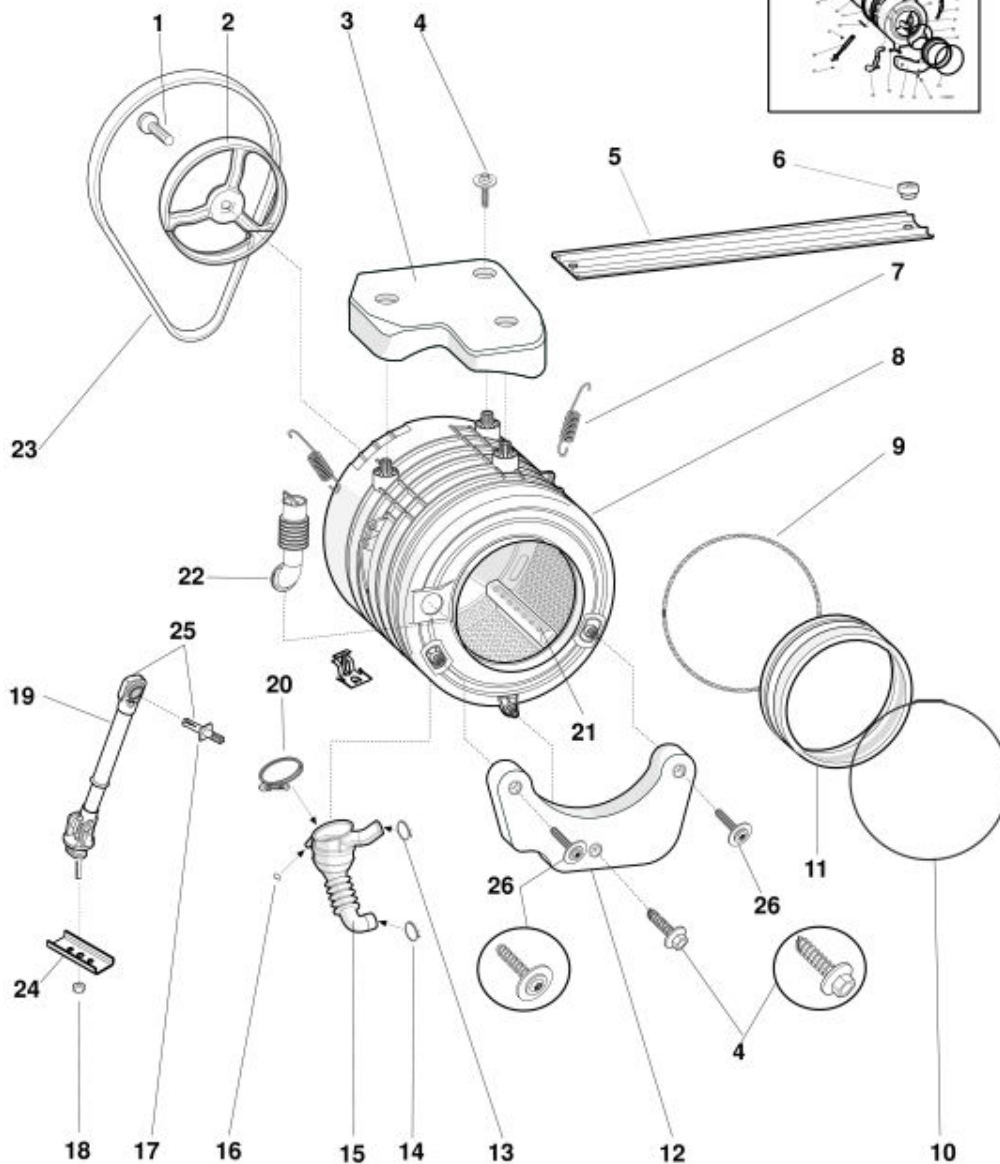


1180250

Exploded views

Matr. 30716.0003  
EVIZZAZIONE - EVOII

NO: S/N < 30801.0001 (WIEW 1140220 or 1180220)  
NO: S/N > 30801.0001 NO EVOII TUB (WIEW 1140220 or 1180220) →  
OK: S/N > 30801.0001 EVOII TUB



1180250