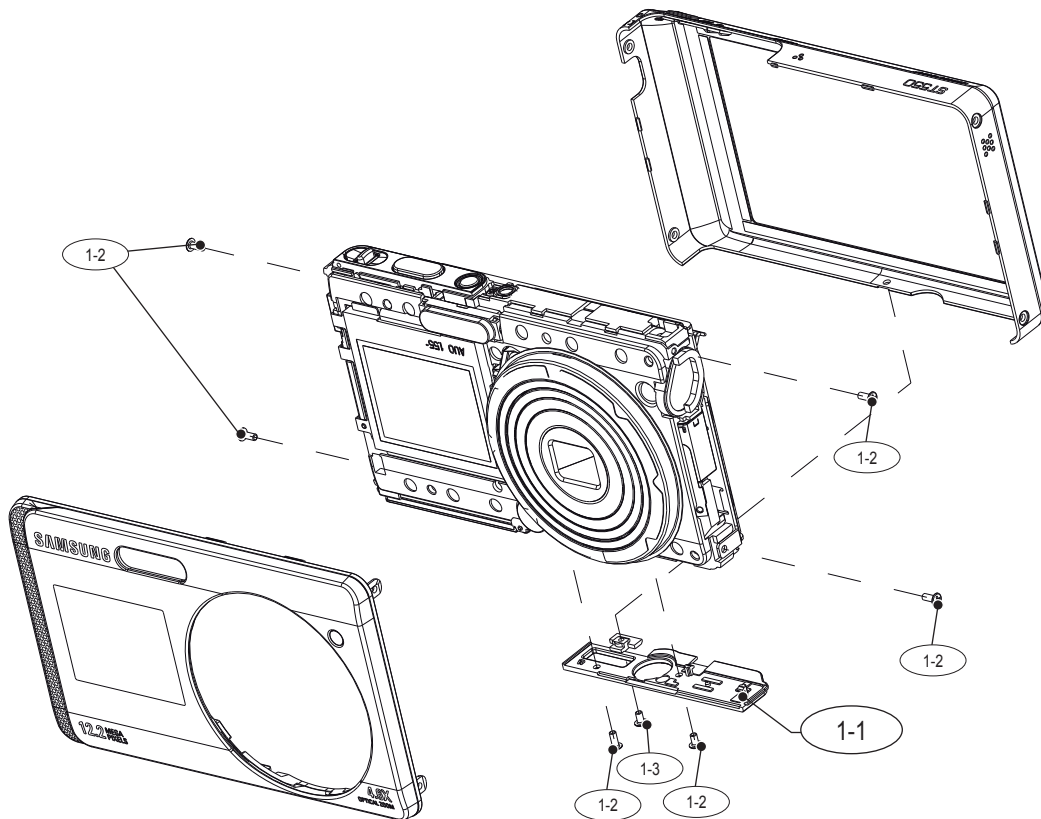


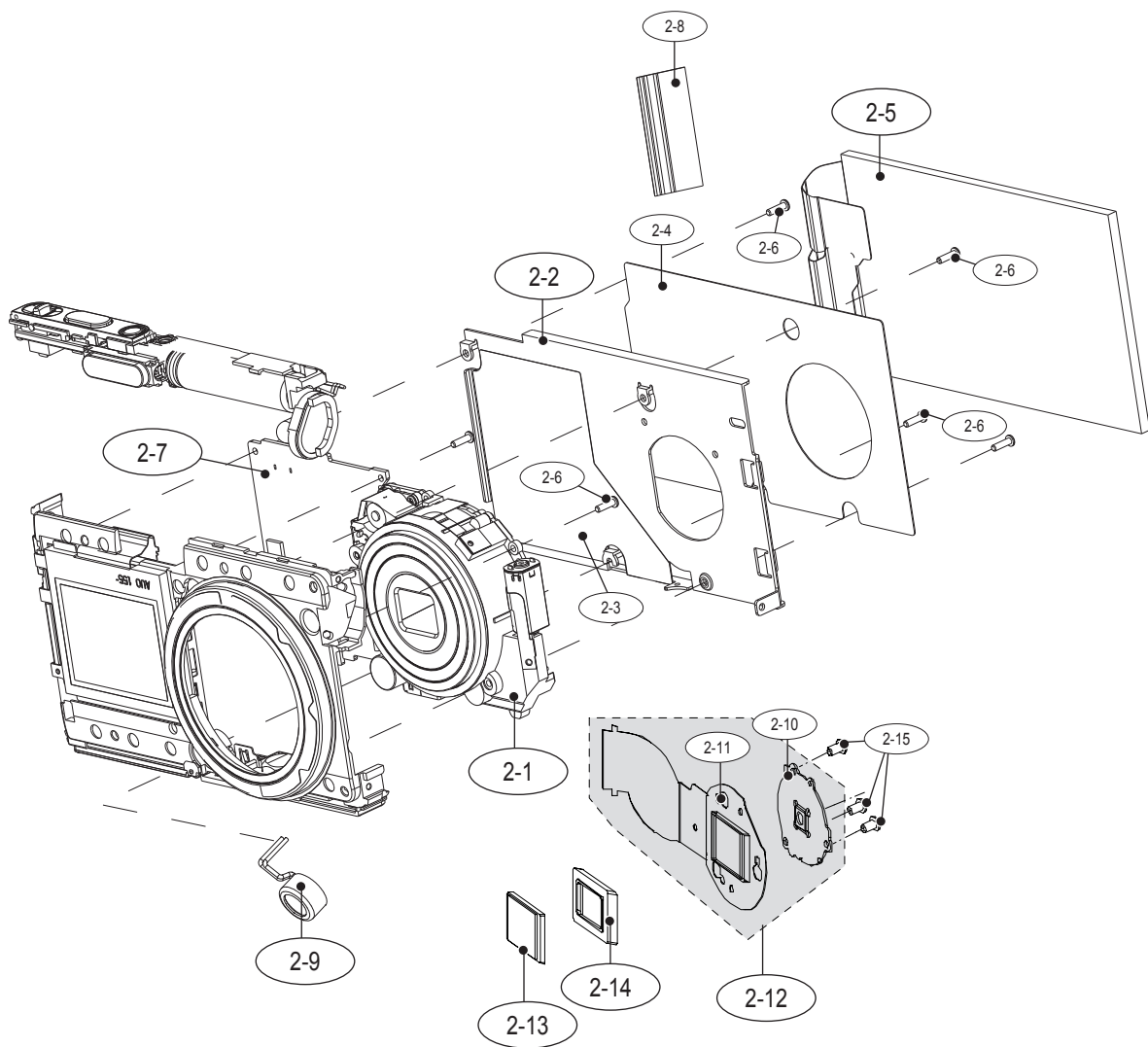
3. Exploded View and Parts List

3-1 Body Assembly



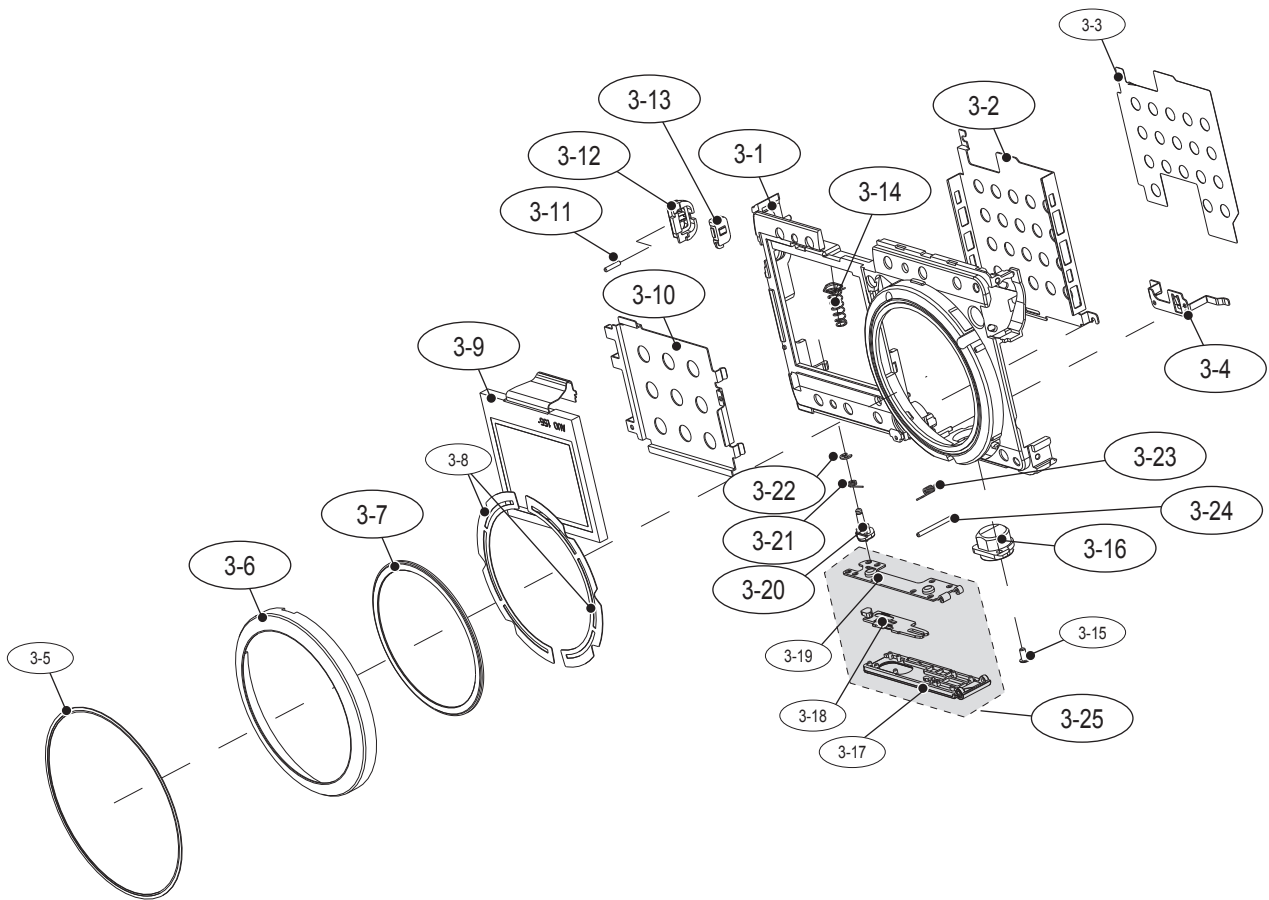
Loc. No	Parts No.	Description	Q ty	Available	Remark
1-1	AD63-04287A	COVER BOTTOM	1	O	
1-2	6003-001765	SCREW 1440	6	X	
1-3	6003-001764	SCREW 1425	1	X	

3-2 BODY ASSEMBLY



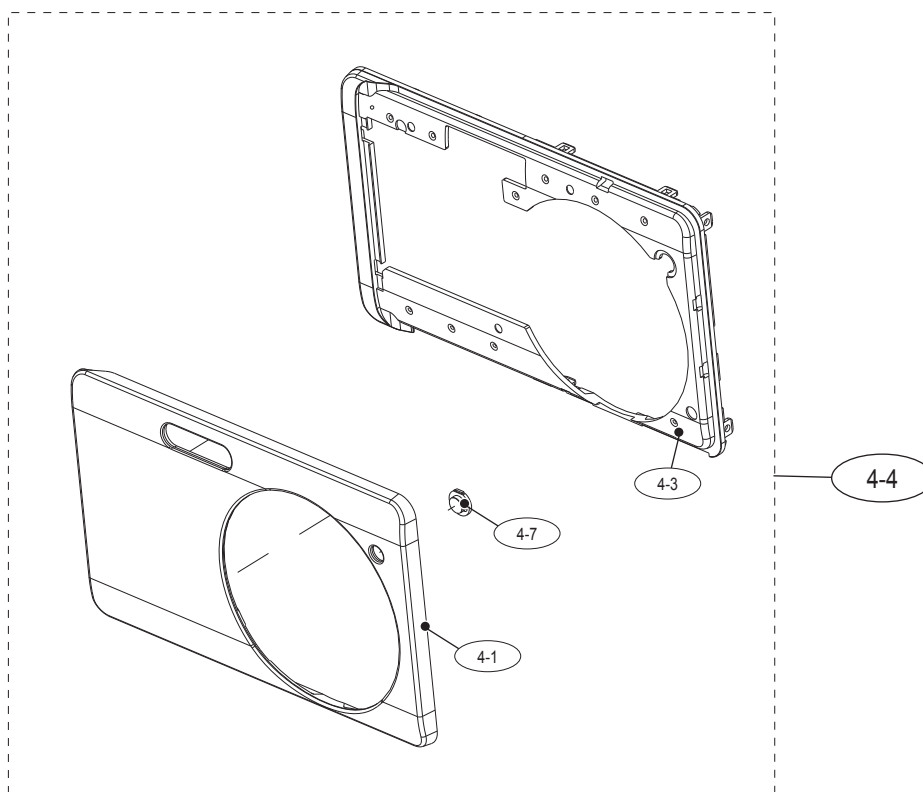
Loc. No	Parts No.	Description	Q ty	Available	Remark
2-1	AD97-17391A	BARREL	1	O	
2-2	AD61-04278A	FRAME MAIN	1	O	
2-3	AD63-04335A	SHEET-LCD FRAME	1	X	
2-4	AD63-04451A	SHEET LCD	1	X	
2-5	AD07-00112A	LCD	1	O	
2-6	6003-001503	SCREW 1450	6	X	
2-7	AD92-00882A	PCB ASSY MAIN	1	O	
2-8	AD63-04336A	SHEET-MAIN LCD FPCB	1	X	
2-9	AD31-00083A	MOTOR LINEAR VIBRATION(HAPTIC)	1	O	
2-10	AD61-04286A	PLATE-CCD HOLDER	1	X	
2-11	AD92-00880A	SMD FPCB ASSY-CCD	1	X	
2-12	AD97-17713A	ASSY-CCD FPCB	1	O	
2-13	AD63-03653A	IR CUT FILTER	1	O	
2-14	AD63-04277A	CUSHION-IR	1	O	
2-15	6003-001633	SCREW 1430	1	X	

3-3 CHAMBER ASSEMBLY



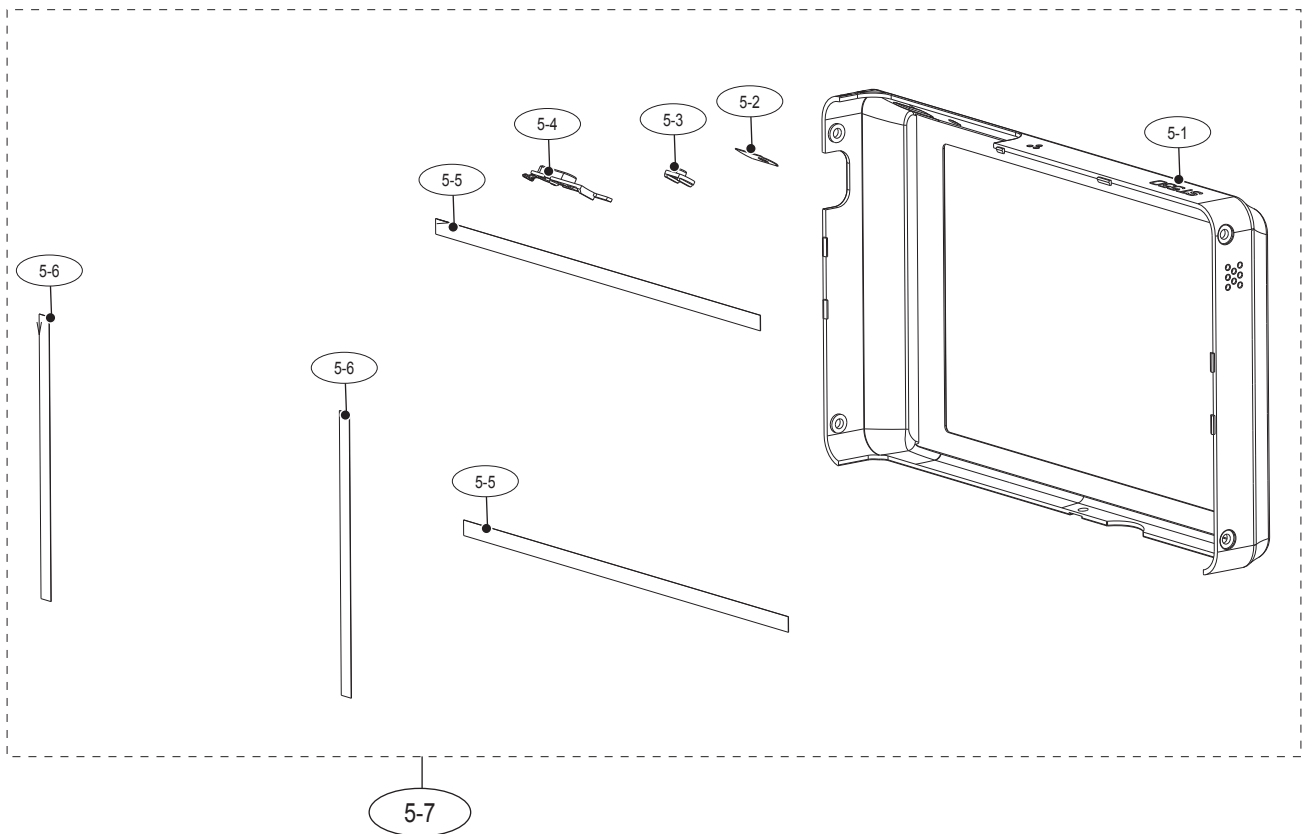
Loc. No	Parts No.	Description	Q ty	Available	Remark
3-1	AD62-00118A	CHAMBER BODY	1	O	
3-2	AD61-04283A	PALTE BATTERY HOLDER	1	O	
3-3	AD63-04329A	SHEET BATT HOLDER PLATE	1	X	
3-4	AD61-04285A	PALTE GROUND	1	O	
3-5	AD63-04466A	CUSHION SHIELD	1	X	
3-6	AD64-02697A	DECORATION FRONT RING_1	1	O	
3-7	AD64-02704A	DECORATION FRONT RING_2	1	O	
3-8	AD63-04337A	T/SHEET DECORATION FRONT	2	X	
3-9	AD07-00113A	LCD_SUB	1	O	
3-10	AD61-04279A	FRAME SUB LCD	1	O	
3-11	AD61-04305A	HINGE STRAP	1	O	
3-12	AD61-04276A	HOLDER STRAP A	1	O	
3-13	AD61-04277A	HOLDER STRAPB	1	O	
3-14	6107-001834	SPRING CS(BATT PUSH)	1	O	
3-15	6003-001660	SCREW 1430	1	X	
3-16	AD61-04275A	HOLDER TRIPOD	1	O	
3-17	AD63-04288A	COVER BATTERY	1	X	
3-18	AD66-00735A	LEVER BATT COVER LOCK	1	X	
3-19	AD61-04284A	PLATE BATTERY COVER	1	X	
3-20	AD66-00655B	LEVER BATTERY LOCK	1	O	
3-21	6107-001833	SPRING TS(BATT LOCK)	1	O	
3-22	6044-001137	E-RING	1	O	
3-23	6107-001832	SPRING TS	1	O	
3-24	AD61-04304A	HINGE-BATTERY COVER	1	O	
3-25	AD97-17704A	COVER ASSY-BATTERY	1	O	

3-4 FRONT COVER ASSEMBLY



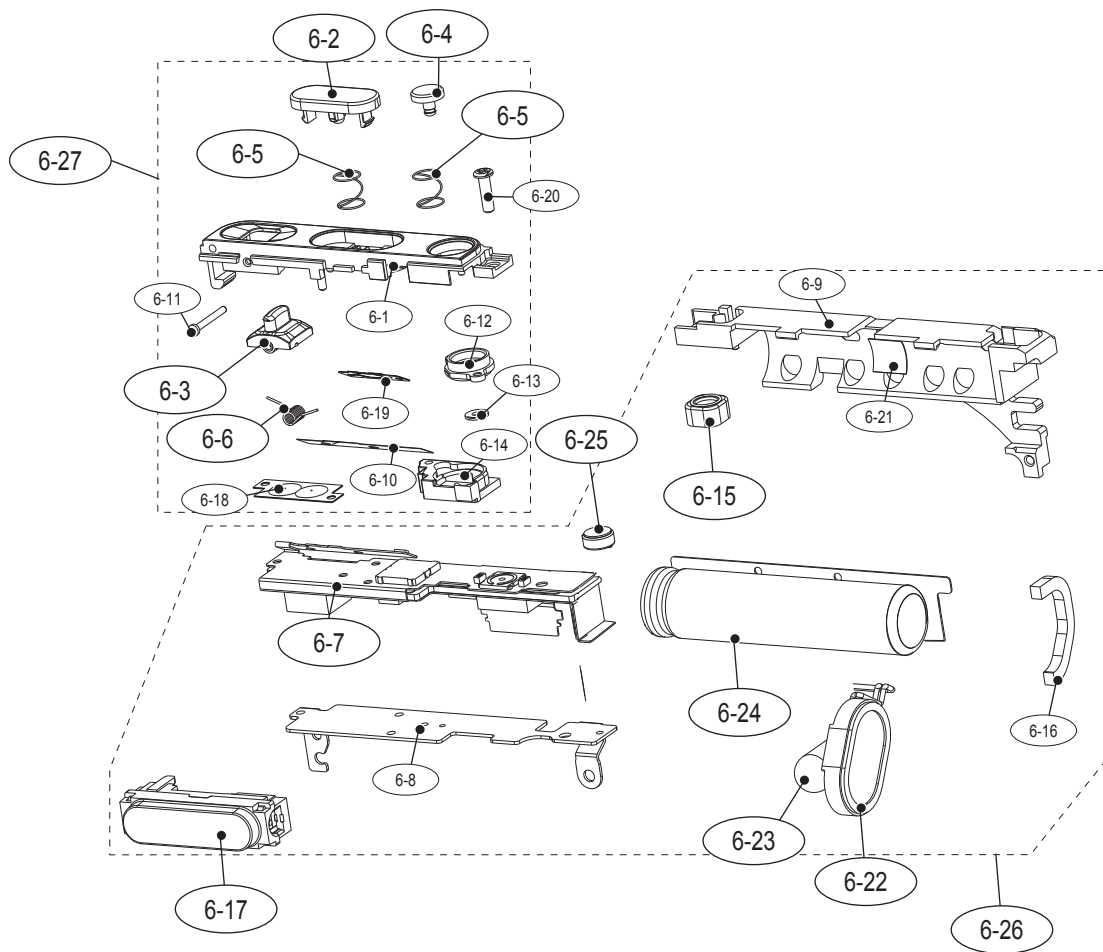
Loc. No	Parts No.	Description	Q ty	Available	Remark
4-1	AD64-02696A	COVER FRONT WINDOW	1	X	
4-2	AD64-02693A	WINDOW LED AF	1	X	
4-3	AD63-04295A	COVER FRONT	1	X	
4-4	AD97-17662A	COVER ASSY-FRONT	1	O	PURPLE
	AD97-17702A	COVER ASSY-FRONT	1	O	ORANGE
	AD97-17932A	COVER ASSY-FRONT	1	O	GOLD

3-5 BACK COVER ASSEMBLY



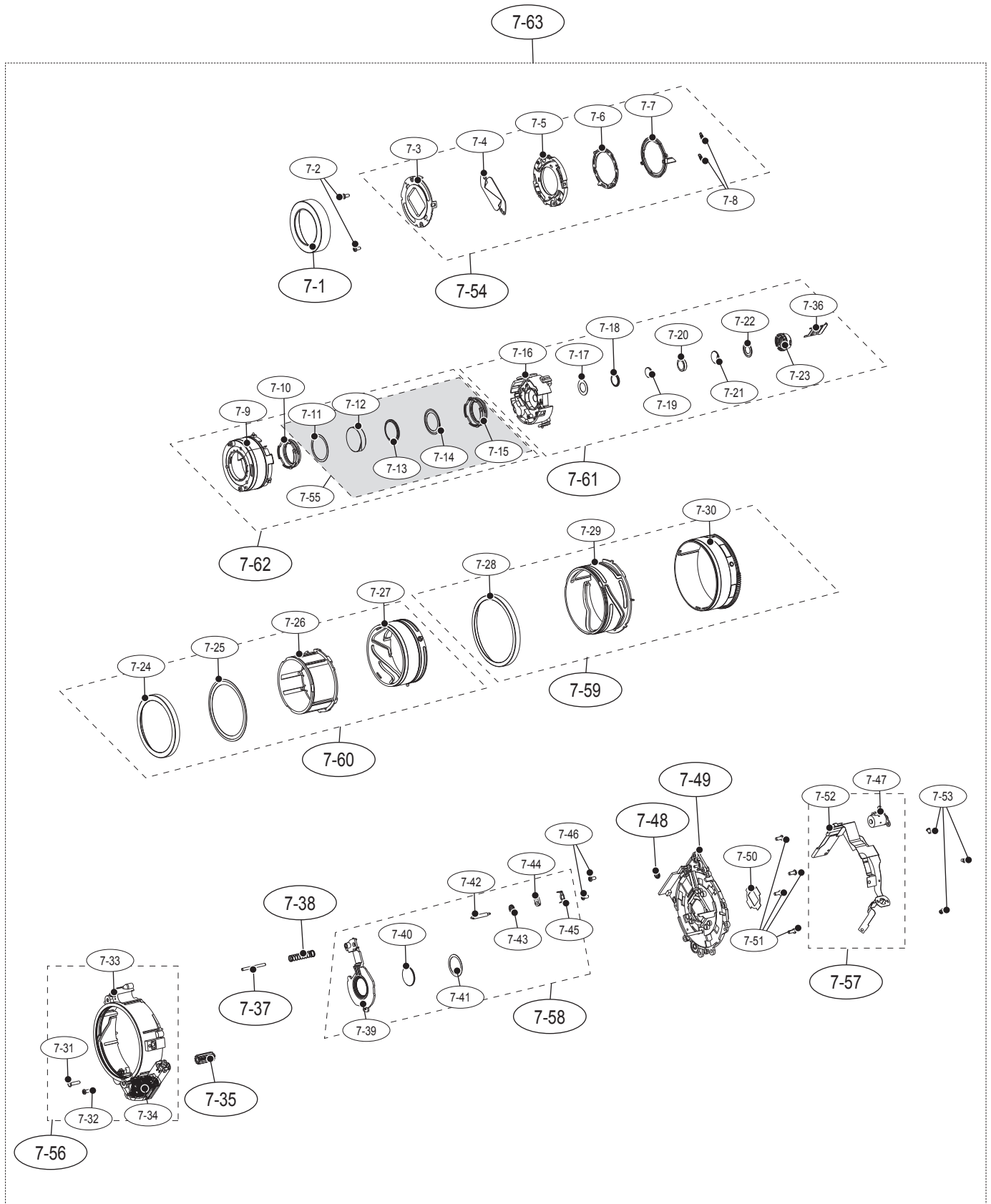
Loc. No	Parts No.	Description	Q ty	Available	Remark
5-1	AD63-04296A	COVER BACK	1	X	
5-2	AD63-04330A	T/SHEET PLAY BACK	1	X	
5-3	AD64-02694A	WINDOW REAR ACCESS	1	X	
5-4	AD64-02692A	BUTTON PLAY BACK	1	X	
5-5	AD63-04353A	SHEET_BACK COVER-2	2	X	
5-6	AD63-04352A	SHEET_BACK COVER-1	2	X	
5-7	AD97-17703A	COVER ASSY-BACK_SAMSUNG ST550	1	O	
	AD97-18062A	COVER ASSY-BACK_VLUU ST550	1	O	
	AD97-18063A	COVER ASSY-BACK_SAMSUNG TL225	1	O	

3-6 TOP COVER ASSEMBLY



Loc. No	Parts No.	Description	Q ty	Available	Remark
6-1	AD63-04286A	COVER TOP	1	X	
6-2	AD64-02690A	BUTTON RELEASE	1	O	
6-3	AD64-02691A	BUTTON ZOOM	1	O	
6-4	AD64-02689A	BUTTON POWER	1	O	
6-5	6107-001439	SPRING-CS	2	O	
6-6	6107-001831	SPRING-TS(ZOOM)	1	O	
6-7	AD92-00876A	PCB ASSY TOP	1	O	
6-8	AD61-04282A	PLATE TOP	1	X	
6-9	AD61-04274A	HOLDER CONDENSOR	1	X	
6-10	AD63-04449A	T/SHEET PLAYBACK TOP	1	X	
6-11	AD61-04306A	HINGE ZOOM LEVER	1	X	
6-12	AD64-02695A	WINDOW LED POWER	1	X	
6-13	6031-001628	WASHER	1	X	
6-14	AD73-00356A	RUBBER POWER	1	X	
6-15	AD73-00355A	RUBBER MIC	1	O	
6-16	AD63-04453A	CUSHION SPEAKER	1	X	
6-17	AD97-17706A	ASSY REFLECTOR	1	O	
6-18	AD63-04328A	SHEET ZOOM DOME S/W	1	X	
6-19	AD63-04327A	SHEET PLAY BACK DOME S/W	1	X	
6-20	6003-001503	SCREW 1450	1	X	
6-21	AD63-02794A	T/SHEET SPEAKER(CONDENSOR)	1	X	
6-22	3001-002483	MICRO SPEAKER	1	O	
6-23	0601-002517	AF LED	1	O	
6-24	2401-004663	C-AL	1	O	
6-25	3003-001159	MIC-CONDENSOR	1	O	
6-26	AD92-00915A	FPCB ASSY -TOP COVER	1	O	
6-27	AD97-17707A	COVER ASSY-TOP SUB	1	O	

3-7 BARREL ASSEMBLY

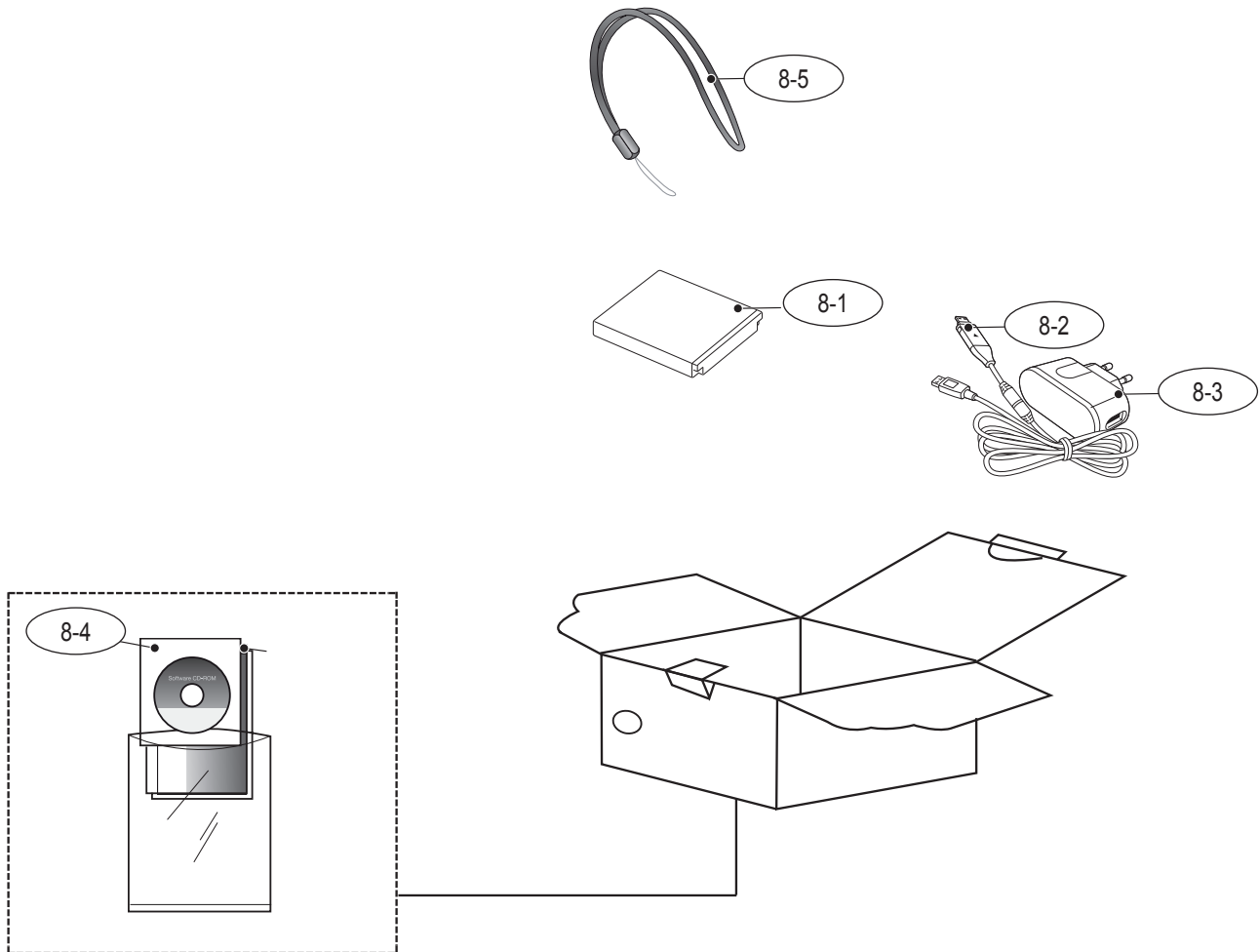


Loc. No	Parts No.	Description	Q ty	Available	Remark
7-1	AD64-02661A	DECO RING-FRONT	1	O	
7-2	6003-001633	SCREW-TAPTITE(143025)	2	X	
7-3	AD63-04193A	BARRIER-FRONT_PANEL	1	X	
7-4	AD63-04216A	BARRIER-A	2	X	
7-5	AD61-04177A	BASE-BARRIER	1	X	
7-6	AD66-00698A	LEVER-BARRIER_A	1	X	
7-7	AD66-00697A	LEVER-BARRIER_B	1	X	
7-8	6107-002515	SPRING-BARRIER	2	X	
7-9	AD67-01446A	BARREL-ZOOM_RING_S	1	X	
7-10	AD67-01445A	BARREL-SLIP_RING	1	X	
7-11	AD63-04210A	SHEET-G1	1	X	
7-12	AD67-01272A	LENS-G1	1	X	
7-13	AD67-01273A	LENS-G2	1	X	
7-14	AD63-04211A	SHEET-G2	1	X	
7-15	AD67-01247A	BARREL-1ST	1	X	
7-16	AD97-17485A	SHUTTER-OIS	1	X	
7-17	AD63-04212A	SHEET-G3	1	X	
7-18	AD67-01274A	LENS-G3	1	X	
7-19	AD67-01277A	LENS-G4	1	X	
7-20	AD67-01278A	LENS-G5	1	X	
7-21	AD67-01279A	LENS-G6	1	X	
7-22	AD63-04213A	SHEET-G6	1	X	
7-23	AD67-01248A	BARREL-2ND	1	X	
7-24	AD64-02662A	DECO RING-INNER_CAM	1	X	
7-25	AD63-04218A	SHIELD-INNER_CAM	1	X	
7-26	AD67-01255A	BARREL-GUIDE_PLATE	1	X	
7-27	AD67-01251A	BARREL-INNER_CAM	1	X	
7-28	AD64-02663A	DECO RING-CAM	1	X	
7-29	AD67-01254A	BARREL-OUTER_GUIDE_PLATE	1	X	
7-30	AD67-01252A	BARREL-CAM	1	X	
7-31	6003-001658	SCREW-TAPTITE(146025)	1	X	
7-32	6003-001633	SCREW-TAPTITE(143025)	1	X	
7-33	AD67-01253A	BARREL-OUTER_GUIDE	1	X	
7-34	AD97-17484A	MOTOR ASSY-ZOOM	1	X	

Exploded View and Parts List

Loc. No	Parts No.	Description	Q ty	Available	Remark
7-35	AD66-00704A	GEAR-IDLE	1	O	
7-36	AD61-04199A	HOLDER-FPC	1	X	
7-37	AD66-00714A	SHAFT-AF	1	O	
7-38	6107-002514	SPRING-AF	1	O	
7-39	AD67-01249A	BARREL-3RD	1	X	
7-40	AD67-01275A	LENS-G7	1	X	
7-41	AD63-04214A	SHEET-G7	1	X	
7-42	AD66-00715A	SHAFT-AF_LEAD	1	X	
7-43	AD66-00638A	GEAR-AF_B	1	X	
7-44	AD61-03832A	CLIP-AF	1	X	
7-45	AD61-04198A	HOLDER-AF_CLIP	1	X	
7-46	6003-001633	SCREW-TAPTITE(143025)	2	X	
7-47	AD31-00085A	MOTOR STEP-AF	1	X	
7-48	AD66-00637A	GEAR-AF_A	1	O	
7-49	AD61-04176A	BASE-LENS	1	O	
7-50	AD63-04215A	SHEET-IR	1	X	
7-51	6003-001630	SCREW-TAPTITE(143525)	4	X	
7-52	AD92-00859A	FPCB ASSY-SMD	1	X	
7-53	6003-001288	SCREW-TAPTITE(142025)	3	X	
7-54	AD97-17379A	BARRIER ASSY	1	O	
7-55	AD97-17446A	SUB BARREL ASSY-1ST	1	X	
7-56	AD97-17377A	SUB BARREL ASSY-OUTER GUIDE	1	O	
7-57	AD92-00838A	FPCB ASSY-MAIN	1	O	
7-58	AD97-17374A	SUB BARREL ASSY-3RD	1	O	
7-59	AD97-17376A	SUB BARREL ASSY-CAM	1	O	
7-60	AD97-17375A	SUB BARREL ASSY-INNER	1	O	
7-61	AD97-17373A	SUB BARREL ASSY-2ND	1	O	
7-62	AD97-18005A	SUB BARREL ASSY-ZOOM	1	O	
7-63	AD97-17391A	BARREL ASSY	1	O	

3-8 PACKING ITEM



Loc. No	Parts No.	Description	Q ty	Available	Remark
8-1	4302-001227	LITHIUM-ION_SLB-07A	1	0	
8-2	AD39-00172A	34PIN_USB_Cable_CB34U05A	1	0	
8-3	AD44-00142A	AC_ADAPTOR_4.2V (SAC-48)_KOR	1	0	
	AD44-00147A	AC_ADAPTOR_4.2V (SAC-48)_CHI_TSOE	1	0	
	AD44-00146A	AC_ADAPTOR_4.6V (SAC-48)_EXP	1	0	
	AD44-00143A	AC_ADAPTOR_4.6V (SAC-48)_USA	1	0	
	AD44-00145A	AC_ADAPTOR_4.6V (SAC-48)_UK	1	0	
	AD44-00148A	AC_ADAPTOR_4.6V (SAC-48)_AUS	1	0	
	AD44-00144A	AC_ADAPTOR_4.6V (SAC-48)_ARG	1	0	
8-4	AD46-00281A	Samsung_CD_ST550	1	0	
	AD46-00282A	Samsung_CD_TL225_USA	1	0	
8-5	AD63-02596A	STRAP_KENOX_S730_SILVER	1	0	
	AD63-02604A	STRAP_KENOX_S860_BLACK	1	0	

Memo